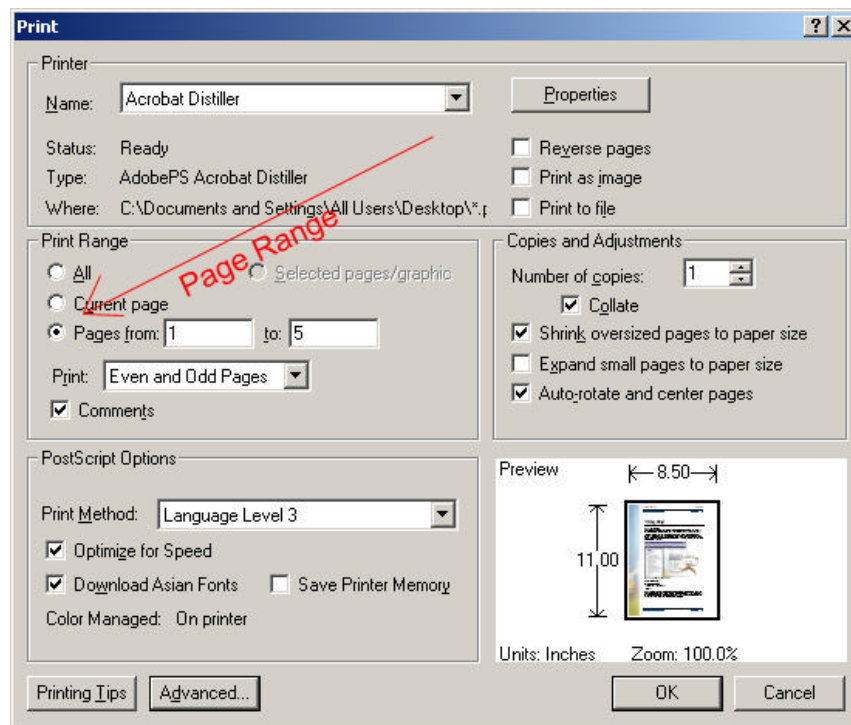


Using Bookmarks

The contents of the Gaumer Catalog are shown as bookmarks in the bookmark pane. To view subtopics, click the plus sign next to a topic. The topic will be expanded to show the subtopics it contains. Each bookmark is a hyperlink to the associated section of the Gaumer Catalog. To view the contents, click the bookmark.

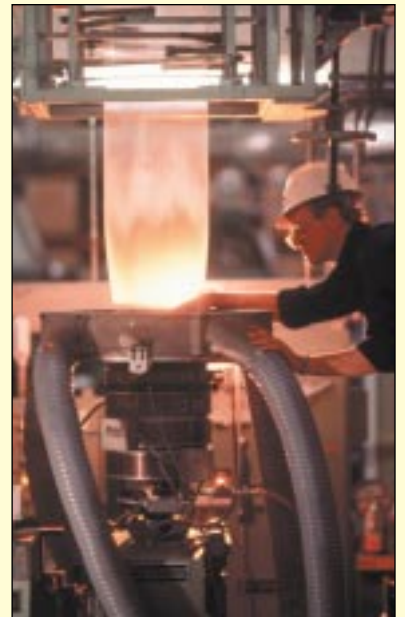
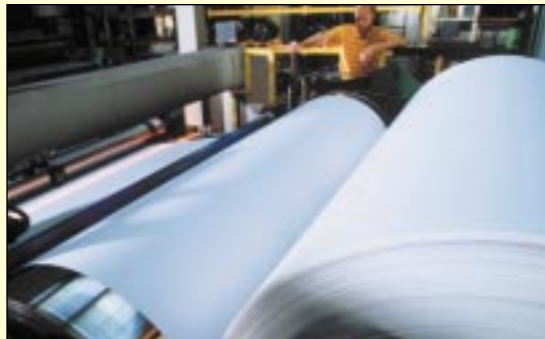
Printing

CAUTION: Select a page range when printing as Windows Default, prints all pages (689 pages). Although this Catalog has been optimized for on-screen viewing, you can print out the file or portions of the file. To print, choose Print from the File menu and select page range.



GAUMER

PROCESS HEATERS



Providing Quality Electric Process Heaters for the World Market

Company Info

Since 1962, **Gaumer Process Heaters** has been a major supplier of industrial electric heaters and controls to the process industries. We have built our business by providing our customers with the highest quality solution to their heating needs in the shortest time-frame. This has been accomplished by maintaining the essential items for success: excellent quality, experienced personnel, world class facilities, large inventories for quick deliveries, manufacturing capabilities to meet the toughest challenge, and thorough testing of all products. Our products are manufactured with care and quality workmanship, yet we offer fast delivery and prompt service.

Quality

With a quality program designed to the requirements of ISO 9001, Gaumer has always produced products and systems that meet or exceed our customers' expectations. With a reputation built on quality, Gaumer committed long ago to provide products and systems using only the best materials and workmanship. Extensive testing and inspection ensures that every Gaumer product and system meets the customers' specifications and provides the service that is expected from a top-quality product.

Personnel

Experienced personnel is a major reason for the success of Gaumer. We have been able to recruit and keep the personnel necessary to provide the very best solution to each customer's heating needs.

The sales department draws upon four decades of skilled performance to offer a wide range of options to the customer.

Our commitment is to be totally responsive to our customers by providing cost-effective solutions that meet their heating requirements.

With registered professional engineers on staff, the engineering department provides solutions to meet the most demanding specifications. Our project management capabilities ensure that projects progress smoothly and deliveries are timely.

Gaumer has the benefit of many years of experience in all aspects of electric heating and controls. Our manufacturing departments have built process heating systems for everything from “air to zinc”. It is safe to say that we have seen your application before and have expertise in building it. With our expert team, quality is foremost and deliveries are prompt.

Manufacturing Capabilities

With four manufacturing departments in our facilities, we provide a thorough and timely solution to our customers' needs.

The processes used in our heater department allow us to manufacture flanged and screw plug heaters to exacting tolerances. Our in-shop testing enables us to validate the integrity of our manufacturing procedures as well as the quality of our components. This thorough testing reduces problems in the field upon heater start-up and assures long life in the application.

Our fabrication department has a complete line of welding equipment, material handling equipment, and testing capabilities for manufacturing heater bodies, vessels, and skids to provide a total system for our customers.

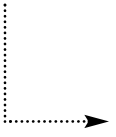


Our controls department manufactures control panels (NEMA 12, 4, 4X, and 7) for our heaters and heating systems. Our skilled personnel conduct extensive testing on our panels so that our customers can feel confident that the panel will function in the field as it was designed.

Gaumer's machine department and metalworking facility allows us to manufacture each component used in our equipment to demanding standards. This is especially critical when our customers require total systems manufactured to their specifications.

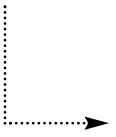
Gaumer is an ASME code certified shop and manufactures heaters and vessels stamped to ASME Section VIII, Division 1, “U”. Gaumer heaters and control panels can be Underwriter Laboratory listed, and we can provide agency approvals to U.S., Canadian, Australian, European, and UK standards.

Inventory



Success in on-time delivery is made possible by maintaining substantial inventory. Gaumer has a comprehensive inventory of completed products on the shelf which allows us to meet our customers' heating and control needs with same-day shipping. The inventory includes components and raw materials necessary to build our heaters, control panels, and heating systems. Gaumer is known for having the fastest delivery in the industry.

Facilities

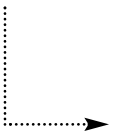


With over 35,000 square feet of office, warehouse, and manufacturing space located in Houston, Texas, Gaumer continually strives to provide our employees with the very best work environment and equipment to perform their jobs. Our state-of-the-art computer system links customer applications with related quotations, orders, engineering calculations, shop work orders, material controls, purchases, schedules, routings, and shipping documents. Our automation minimizes the possibility of delays and errors. All departments work with the most modern equipment for manufacturing and testing.



Our location, in the fourth largest U.S. city with port access and an international airport, allows us to ship our products to clients by land, sea, or air. This shipping flexibility permits the customer to choose the method of shipment that best suits his needs.

Testing



Gaumer conducts extensive research and testing on the heating of liquids and gases to determine and refine the engineering data. This data provides the foundation for selecting the optimum heating and control solution for each application.

Every heater, control panel, and heating system manufactured by Gaumer is subjected to thorough testing prior to shipment. Our heating systems are run-tested with the customer in attendance to show that the system performs to the specifications. Our in-house simulation equipment ensures that control systems perform as designed.

Repairs and Reconditioning

→ Gaumer is the industry leader in reconditioning all types and brands of electric process heaters. Before discarding an inoperable heater or control panel, please contact Gaumer to discuss your options. We will provide a no-cost assessment of the problem and a quotation for repairs and reconditioning or replacement.

Customer Care

→ In today's operating environment, most companies choose to hire specialists to assist in the installation, commissioning, and start-up of vendor equipment. Gaumer has a qualified staff to assist our customers in this area. Our specialists work with customers and contractors to ensure that the Gaumer equipment is properly installed and commissioned for start-up anywhere in the world.

Gaumer staff is available twenty-four hours a day to help solve field heating problems. If the problem cannot be solved over the telephone, we will dispatch one of our trained specialists to help determine the cause of the problem and find the solution. Our vast inventory will assist in getting a customer back on-line in a timely manner.

With decades of experience, a commitment to quality, fast delivery, and a dedication to providing our customers with the best solution to their heating needs, Gaumer Process Heaters is the answer.



Circulation Heaters



Three zone circulation system for heating liquid. With fluid flowing into bottom chamber and out top chamber to the customer's process, venting problems can be reduced or eliminated.



"U-tube" circulation system commonly used for heating gases as well as liquids. Both pressure drop and venting problems can be reduced with this design. Insulation jacket installed at factory.

Gaumer has Circulation Heaters in more than 5000 different configurations with capacities from .1 kW to 1200 kW. Each configuration is available in NEMA 12, 4, and 7.

Multi-zoned circulation system with a common insulation jacket and enclosure.



Single chamber circulation heater designed for air or gas heating with a minimum pressure drop.



1200 kW liquid heating package rated NEMA 4 for outdoor installation. Control Panel Assembly (not shown) was mounted indoors.



800 kW steam superheater system designed for regeneration of desiccant beds. Control panel was remotely mounted.

Circulation Heaters



10 stage fluid system designed for high velocities through multiple chambers. High velocities were provided because of heat sensitive product. Rated for hazardous area classification.



Four zone, 1.9 megawatt hydrogen heating system rated for hazardous area designed for 650° F. discharge temperature. This system was engineered, designed, and manufactured within six weeks to meet customer's delivery requirements.



Typical lube oil heaters mounted on common Tee stands, included all wiring, piping, and controls.



Circulation Heater designed for applications where pipe chamber temperature must be as low as possible. This design included factory installed insulation jacket on both the heater and the pump assembly. External heat-sinks on control panel denote use of Gaumer Stepless SCR system.



Lube oil heating package, including pump and motor assembly. All such systems are tested prior to shipment. This system designed for installation in a hazardous location.



Skid mounted circulation heater with integral mounted control package. Used for heating gases. Only customer connections were to inlet / outlet of piping and power to control panel.

Blower Packages



Small electric heated recirculating system capable of heating 500 SCFM air to 500° F. against 12 inches of water static pressure. System was run-tested at field conditions prior to shipment.



High-pressure impingement system designed for heating air from ambient to 600° F. against 26 inches of water static pressure. Assembly designed to mount below grade with control panel assembly at eye level above grade.



Recirculating heating-moisturizing system designed to provide 300 SCFM air between ambient and 130° F. System included a Gaumer-designed humidifying chamber capable of adding sufficient water to maintain a controlled 50%-100% relative humidity.



Recirculating oven subassembly included a packaged electric heater, blower, and control panel assembly. Customer supplied oven box.

Pump Systems



Oil Separator Heater System designed to be easily moved between locations. Note dual skid arrangement with pump skid recirculating liquid through the heated tank skid.



Triple zone Liquid Heating System mounted on a single frame with a common expansion tank.



Fuel oil pre-heater package designed for preheating fuel oil for a boiler.



Electric Heating / Air Cooling package with reservoir tank. Transmission fluid heating system for preheating fluid prior to transmission testing. System included cooler package for full temperature control.

Hot Oil Systems - Standard



Standard GHOS Hot Oil System with the customer's required elevated expansion tank. System was tested as pictured at factory. Expansion tank was removed for shipment.



Standard GLOS Hot Oil System featured a centrifugal pump in lieu of a positive displacement pump like the GHOS Series.

Gaumer has 65 different configurations of Hot Oil Systems with capacities from 10 kW up to 1200 kW. All 65 configurations are available with air cooling or liquid cooling options. Each configuration is available in NEMA 12, 4, and 7. Some Oil Systems are available for rent.



Standard GHOS Hot Oil System painted in the customer's specified color. The pump was mounted above the horizontal heater chamber.



Standard GHOS Hot Oil System with a side panel removed. Note the internal insulated piping and the built-in oil collector sump under the pump for maintenance purposes.

Standard GHOS Hot Oil System finished in the customer's specified color. Note the Gaumer proprietary buffer tank. The buffer tank is designed to solve oil degradation problems by only allowing oil at ambient temperature to reach the expansion tank.



Hot Oil Systems - Modified



Modified GLOS Hot Oil System with an oversized expansion tank to accommodate the large volume of the customer's system. Temperature control valves were included for flow modulation to multiple zones.



Modified GHOS Hot Oil System provided electric heating and water cooling to the customer's process.



Modified GHOS Hot Oil Systems provided multi-zoned heating to the customer's process.



Hot Oil Systems - Custom



800 kW dual zone Hot Oil System designed for Class I, Group D hazardous location. Unit included spare magnetic drive pumps, special thermal expansion loops, and customer specified paint.



Dual zone 600 kW / 200 kW independently controlled hot oil system. Included online spare magnetic drive type pumps. System temperature 650° F. located in a petrochemical plant.

300 kW Hot Oil System designed for Class I, Group D hazardous location with 100% SCR control capable of maintaining the recirculating 600° F. fluid within 1° F. System included vertical expansion tank and vapor recovery tank.

Hot Oil Systems - Custom



Single zone 300 kW Hot Oil System designed for installation outdoors at a petrochemical plant for heating two extruder dies. System featured 100% SCR control.

400 kW Hot Oil System designed for continuous operation in a petrochemical plant at 650° F. System was designed for installation in a hazardous location and included magnetic drive type pumps.



ed Hot Oil System.
sed to heat extruder to



800 kW dual zone Hot Oil System for use on an extruder. System included canned motor pumps. Skid was designed for Class I, Division 2 hazardous location. Control panel remotely mounted in a non-hazardous area.

Control Panels



Type SCPA multi-circuit control panel suitable for free-standing installation near heating package. Over-temperature protection and safety magnetic contactors provided on all circuits. NEMA 4 available with X, Y, Z purge to meet hazardous location requirements.

Gaumer Control Panels are designed in over 200 different configurations with capacities from 6 kW to 2100 kW. Most configurations are available in NEMA 12, 4, and 7.



Type ZPA control panel assembly designed for remote mounting from heater system package. System included capability to provide shorted SCR warning to instrument control room personnel.



Type CPA control panel assembly composed of six (6) separate control circuits suitable for outdoor installation. The gasketed window made possible the visual inspection of temperature conditions during operation. This system restricted the changing of temperature set points without shutting down the system and opening the enclosure.

Standard SCPA two circuit control panel. External heat-sinks designed to remove heat generated by SCR controls.



Standard CPA control panel assembly designed for installation in a Class I, Division 1, Group D, hazardous location. Gaumer can supply assemblies to meet Class I, Group B & C environments also.





This custom double door oven capable of heating small metal parts of various sizes to 650° F. Includes control panel assembly and blower package.

This continuous web drying oven enclosed the multi-pass conveyor system, which moved the product through the oven. Unit was configured to fit both the available space and conveyor system.



This oven with top mounted blower package included a recirculating blower and an exhaust blower. A standard CPA type control system met the customer's temperature accuracy requirements.



This trailer-mounted oven was designed to move to multiple customer sites.



This walk-in oven measuring 6 ft. wide x 6 ft. long x 6 ft. high reaches temperatures of 600° F. with 60 kW of electric power. The recirculating ductwork on the top was unique to this application.



This natural convection type walk-in oven provided adequate temperature without the use of a recirculating blower. Special care was given to the layout of the heating system.

Special Systems / Applications



Custom-made testing and calibrating device capable of providing accurate temperatures to 950° F. with a rapid heat-up and cool-down.

Custom-made "hot air gun" capable of accurate temperatures at higher static pressures than is found in the off-the-shelf type unit.



Clam shell heaters used for heating candle filters on an extruder line. 12 kW total.



Gas Regeneration Heater designed for hazardous location installation.



Custom quartz and CPVC circulation heater and control panel for heating highly corrosive chlorine gases.



Gaumer electric steam boilers are available from 3 to 1200 kW.

Special Systems / Applications

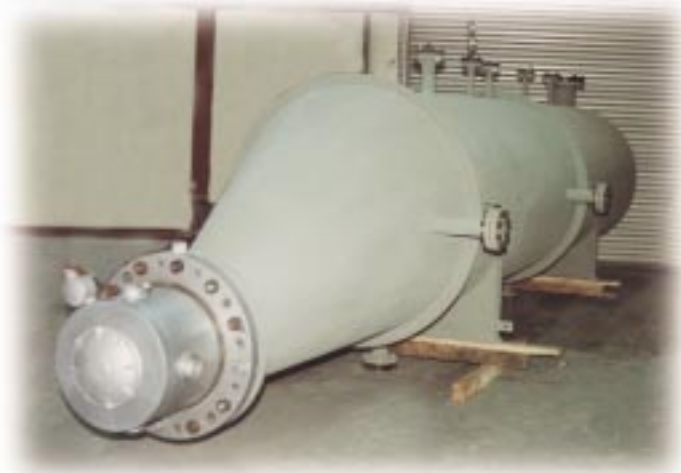


Jacked Heated Hopper has both an inner and outer wall. A heat transfer fluid was circulated through the space between these walls. The flanged connections and the Hot Oil System are not shown.



Dowtherm Vaporizer Package designed for Class I, Division 1, Group D Classification. Complete assembly designed and manufactured by Gaumer.

Asphalt Tank Heater complete with pre-mounted and wired control system. This unit designed for installation in a Class I, Division 1, Group D Classification.



The heating chamber module of an Ammonia Vaporizer Package. Skid, valves, and controls are not shown.



400 gallon water heater for shipboard use. U.S. Coast Guard approved. ASME Section IV.

Heated Tanks



Phosphatizing Tank features “double tank” construction with a special heat transfer liquid in the outer tank that assures even heat and trouble-free service.



Laboratory test tank with high heat capacity and high temperature capabilities. Note specialized insulation package.



Cylindrical Heated Tank featured “double tank” construction with a special heat transfer liquid in the outer tank.



Insulated heated rinse tank.

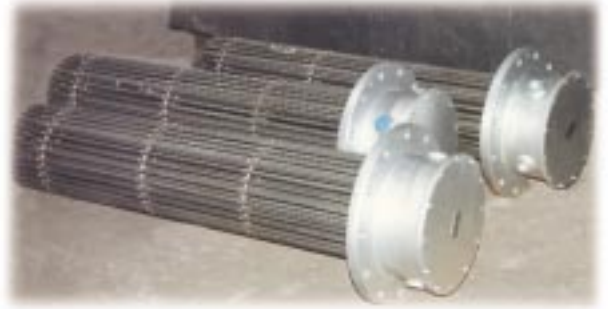
Portable heated calibration tank with agitator.



Rectangular Hot Melt Tank with “double tank” construction and a special heat transfer liquid in the outer tank which allows temperature control to ± 2 degrees.



Flanged Heaters



Gaumer has Flanged Heaters in more than 4300 different configurations with capacities from 1 kW to 1200 kW. Each configuration is available in NEMA 12, 4, and 7.

- ❖ Flange Sizes - 2", 3", 4", 5", 6", 8", 10", 12", 14", 16", 18", 20", 24", 30", 36"
- ❖ Flange Ratings - 150#, 300#, 400#, 600#, 900#, 1500#, 2500#
- ❖ Materials - Steel, 304SS, 316SS, 321SS, Incoloy, Inconel, Chrome / moly, Monel, & Hastelloy
- ❖ Immersed Length 9" - 180"
- ❖ Standard
 - Incoloy 800 Sheath Material
 - All Welded Construction
 - Hydrostatic Tested
 - Sealed Terminals
 - UL, CUL Listed
 - Evenflow Construction, Alloy Spacer rings where needed
 - Flying Leadwires with High Temp Rating
- ❖ Many options available



Screw Plugs



Gaumer has Screw Plugs in more than 2200 different configurations with capacities from .1 kW to 68 kW. Each configuration is available in NEMA 12, 4, and 7.

- ❖ Screw Plug Sizes (NPT)
 - 1/8", 1/4", 1/2", 3/4", 1", 1-1/4", 1-1/2", 2", 2-1/2", 3"
- ❖ Immersed Length - 6" - 180"
- ❖ Material - CS, 304SS, 316SS
- ❖ Standard & Solid Screw Plug
 - Incoloy 800 Sheath Material
 - All Welded Construction
 - Hydrostatic Tested
 - Sealed Terminals
 - UL, CUL Listed
 - Flying Leadwires with High Temp Rating where needed
- ❖ Many options available



Over-the-side Immersion Heaters



Bunghole Heater designed to fit through the opening in a 55 gallon drum and heat the contents.



Over-the-side heater with tank cover-plate included as part of the heater assembly. Thermostatic control included in the heater.

Gaumer has Over-the-side Immersion Heaters in more than 2500 different configurations with capacities from 10 kW to 1200 kW. Each configuration is available in NEMA 12, 4, and 7.



Type LC over-the-side heater designed for insertion into a circular tank. Assembly included thermostatic control.



Type LH (horizontal) over-the-side heater with integral cover plate. Also available, Type LV (vertical) which has a vertical mounted heater bundle. Heater assembly available with bundle sizes as large as 8 inches in diameter and lengths to 165 inches as standard.

Duct Heaters

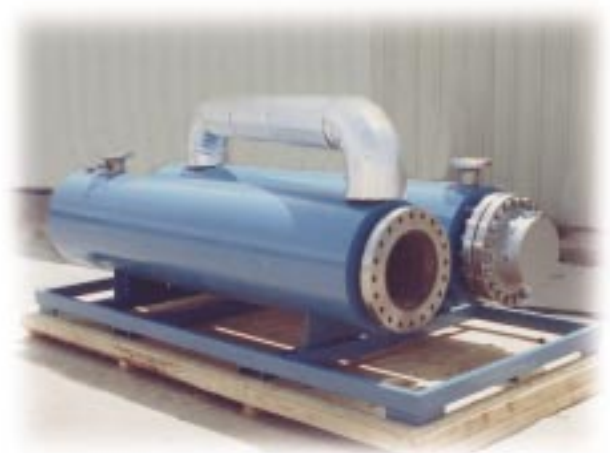


Type DHT Process Air Duct Heater capable of heating recirculating air to 450° F. Standard design included rectangular construction. Optional base shown in picture will hold blower and transition duct.

Gaumer has Duct Heaters in more than 5600 different configurations with capacities from .1 kW to 4300 kW.



Packaged Electric duct heater assembly with explosion proof control system.



Dual chamber non-recirculating heater designed for air heating where a high temperature rise is desired. The entire system was under high pressure.



Type D
Hi-Temp Duct Heater
designed for low pressure
non-recirculating applications
where high temperature rise of the
air is required. Standard design
included insulation jacket and
overheat sensing thermocouple.

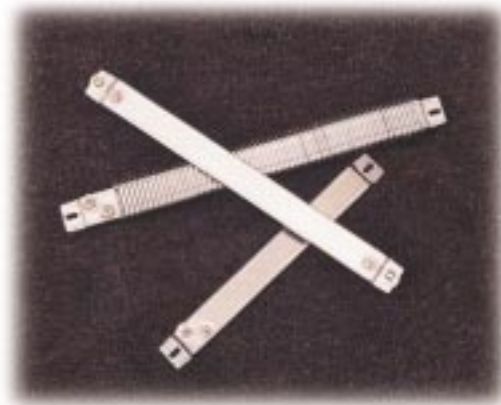
Type IDH
Industrial High
Temperature
Duct Heater
suitable for
temperatures
to 800° F.
Available ranges
of 6 kW to
480 kW.



Component Heaters & Instruments



Type GTB band heater with optional offset terminal enclosures. Sustained operating temperatures to 1000° F. are common with this unit.



Strip heaters available in stock in lengths from 5.5" to 42.5" with and without fins.



Specially bent tubular heater. Gaumer stocks large quantities of hundreds of different kinds of these heaters.



Type SUN high temperature strip heater with optional offset terminal housing. Standard design calls for terminals at one end.

Gaumer has Component Heaters in more than 3400 different configurations including cartridge, strip, tubular, band and drum heaters.



Two kinds of wrap around drum heaters. Top unit is Type F (flexible) and the bottom unit is a Type GDH semi-rigid. Stocked assemblies include 5 gal., 15 gal., 30 gal., and 55 gal.

Thermocouple / Thermowell Assembly made from in-stock parts.



Cartridge heaters available in stock from 1/4" thru 1" diameters in lengths from 1" to 24".



GAUMER

PROCESS HEATERS

www.gaumer.com

sales@gaumer.com

Ph: 713-460-5200 or 800-460-5200

Fx: 713-460-1444 or 800-460-5700

13616 Hempstead Road

Houston, Texas 77040

Cat. No. 500

Copyright © 2000
Gaumer Company, Inc.
All rights reserved.
Printed in U.S.A.

Flanged Heaters - Type IF

Rated 90/60 watts/sq.in.

APPLICATIONS

90 Watts Per Square Inch

For heating clean water only in commercial and/or residential applications. Element life is sacrificed in favor of a low initial heater cost.

60 and 45 Watts Per Square Inch

Industrial water heating - many aqueous solutions which are compatible with steel and Incoloy.

23 and 20 Watts Per Square Inch

For heat transfer oil, cleaners, high temperature air and gas heating.

15 and 12 Watts Per Square Inch

For lubricating oils, medium viscosity oils, high temperature air and gas heating.

8 and 6 Watts Per Square Inch

For #5 and #6 fuel oil heating, viscous materials, raw crude oil, residual oils, high temperature air and gas heating.

4 and 2 Watts Per Square Inch

For asphalt and other hard-to-heat substances, extra high temperature air and gas.

STANDARD FEATURES

Heating Elements

- Incoloy 800 Sheath Material
- Heavy Wall (.035 in.)
- Large diameter (.475 in.)
- Sealed Terminals

Spacers

- High Temp Alloy Material
- Rugged Design
- "Evenflow" Configuration

Construction

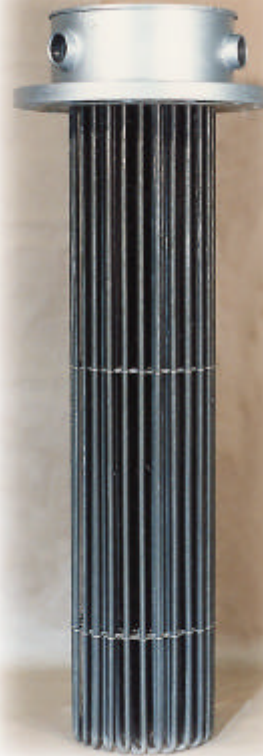
- Welded Heating Elements
- Welded Terminal Housing
- Welded Spacers

Installation

- Flying Leadwires Provided
- Only Standard Materials Needed in Field

Service

- Wiring Modifiable in Field
- Assembly Repairable at Factory



SPECIAL FEATURES

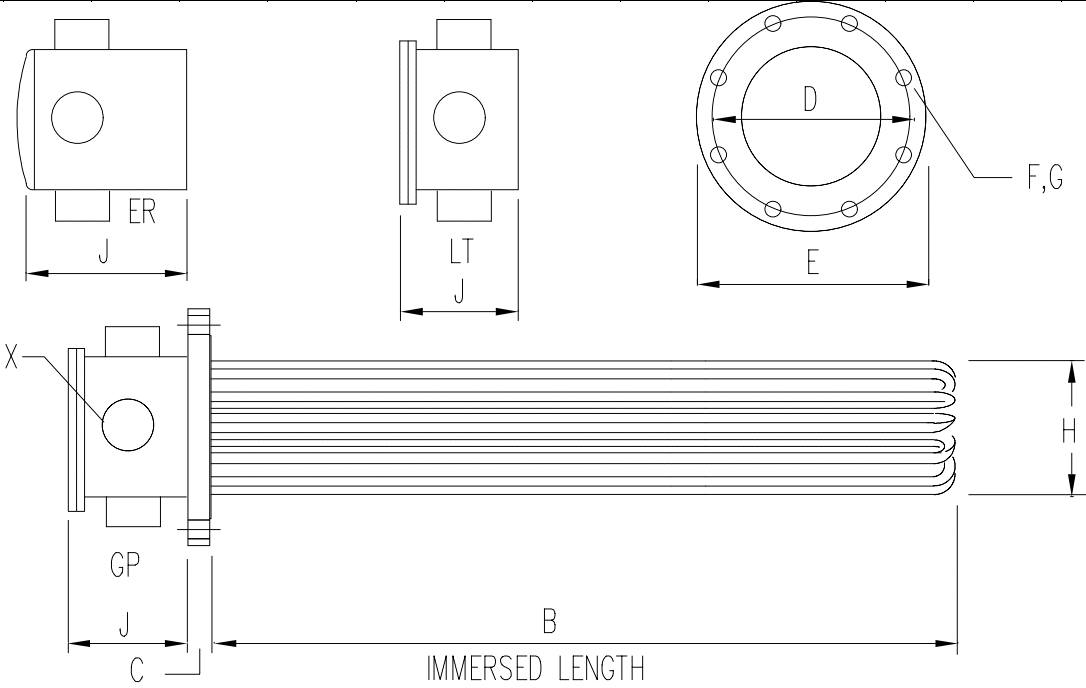
- ER Explosion Resistant Terminal Enclosure
- LT Moisture Resistant Terminal Enclosure
- J(K) Sheath Sensing Thermocouple attached to one element for overheat protection.
- S Stainless Steel Flange - Type 304
- SS Stainless Steel Flange - Type 316
- SpHtr Space Heater Mounted in Terminal Enclosure
- OSTHsg Offset (Spaced Away) Terminal Housing
- XX Special Feature not Listed Above
- 3(?)-(P/N) 300(?)# ANSI Flange

Flanged Heaters

Type IF

**Gaumer Drawing No. IF-200
(Dimension Flange Heater Detail)**

Flange Size	Pressur Class	Flange Dimensions (inches)			Hole Size	No. of Holes	Min. Hole Diam.	Housing Height (inches)			X - No and Size Conduit Connection		
		C Thick	D Diam:	E Diam:				F	G	H	J GP:	J ER:	J LT:
2-1/2	150	7/8	5-1/2	7	3/4	4	2-1/4	2-5/8	5-1/2	2-5/8	1@1	2@1-1/4	1@1
2-1/2	300	1	5-7/8	7-1/2	7/8	8	2-1/4	2-5/8	5-1/2	2-5/8	1@1	2@1-1/4	1@1
3	150	0-15/16	6	7-1/2	3/4	4	2-3/4	2-5/8	5-1/2	2-5/8	1@1	2@1-1/4	1@1
3	300	1-1/8	6-5/8	8-1/4	7/8	8	2-3/4	2-5/8	5-1/2	2-5/8	1@1	2@1-1/4	1@1
4	150	0-15/16	7-1/2	9	3/4	8	3-13/16	5-1/2	6-1/2	5-1/2	4@1-1/2	2@1-1/2	4@1-1/2
4	300	1-1/4	7-7/8	10	7/8	8	3-13/16	5-1/2	6-1/2	5-1/2	4@1-1/2	2@1-1/2	4@1-1/2
5	150	0-15/16	8-1/2	10	7/8	8	4-13/16	5-1/2	6-1/2	5-1/2	4@1-1/2	2@1-1/2	4@1-1/2
5	300	1-3/8	9-1/4	11	7/8	8	4-13/16	5-1/2	6-1/2	5-1/2	4@1-1/2	2@1-1/2	4@1-1/2
6	150	1	9-1/2	11	7/8	8	5-3/4	5-1/2	8	5-1/2	4@1-1/2	4@1-1/2	4@1-1/2
6	300	1-7/16	10-5/8	12-1/2	7/8	12	5-3/4	5-1/2	8	5-1/2	4@1-1/2	4@1-1/2	4@1-1/2
8	150	1-1/8	11-3/4	13-1/2	7/8	8	7-13/16	5-1/2	9	5-1/2	4@1-1/2	4@1-1/2	4@1-1/2
8	300	1-5/8	13	15	1	12	7-13/16	5-1/2	9	5-1/2	4@1-1/2	4@1-1/2	4@1-1/2
10	150	1-3/16	14-1/4	16	1	12	9-5/8	7	11	7	4@2	4@2	4@2
10	300	1-7/8	15-1/4	17-1/2	1-1/8	16	9-5/8	7	11	7	4@2	4@2	4@2
12	150	1-1/4	17	19	1	12	11-5/8	7	11	7	4@2	4@2	4@2
12	300	2	17-3/4	20-1/2	1-1/4	16	11-5/8	7	11	7	4@2	4@2	4@2
14	150	1-3/8	18-3/4	21	1-1/8	12	12-1/2	7	11	7	4@2	4@2	4@2
14	300	2-1/8	20-1/4	23	1-1/4	20	12-1/2	7	11	7	4@2	4@2	4@2
16	150	1-7/16	21-1/4	23-1/2	1-1/8	16	14-1/2	9	13	9	4@2	4@2	4@2
16	300	2-1/4	22-1/2	25-1/2	1-3/8	20	14-1/2	9	13	9	4@2	4@2	4@2
18	150	1-9/16	22-3/4	25	1-1/4	16	16-3/8	9	13	9	4@2	4@2	4@2
18	300	2-3/8	24-3/4	28	1-3/8	24	16-3/8	9	13	9	4@2	4@2	4@2
20	150	1-11/16	25	27-1/2	1-1/4	20	18-5/16	9	13	9	4@2	4@2	4@2
20	300	2-1/2	27	30-1/2	1-3/8	24	18-5/16	9	13	9	4@2	4@2	4@2
24	150	1-7/8	29-1/2	32	1-3/8	20	22-1/8	11	15	11	6@2	6@2	6@2
24	300	2-3/4	32	36	1-5/8	24	22-1/8	11	15	11	6@2	6@2	6@2



Flanged Heaters

Type IF

WattDensity: 90

Gaumer Catalog Number	kW	Voltage (3 Ph)	Flange Size (Inches)	Immersed Length (in.)	Weight (lbs.)
2F3N13M2U	8.8	480	2.5	13	13
2F3N18M2U	12.0	480	2.5	18	14
2F3N20M2U	14.8	480	2.5	20	15
2F3N25M2U	18.0	480	2.5	25	16
2F3N33M2U	24.0	480	2.5	33	17
2F3N40M2U	30.0	480	2.5	40	18
2F3N48M2U	36.0	480	2.5	48	20
2F3N52M2U	40.0	480	2.5	52	20
2F3N64M2U	50.0	480	2.5	64	23
2F3N77M2U	60.0	480	2.5	77	25
3F3N13M2U	8.8	480	3	13	17
3F3N18M2U	12.0	480	3	18	18
3F3N20M2U	15.0	480	3	20	19
3F3N25M2U	18.0	480	3	25	20
3F3N33M2U	24.0	480	3	33	21
3F3N40M2U	30.0	480	3	40	22
3F3N48M2U	36.0	480	3	48	24
3F3N52M2U	40.0	480	3	52	24
3F3N64M2U	50.0	480	3	64	27
3F3N77M2U	60.0	480	3	77	29
4F6N18M2U	24.0	480	4	18	32
4F6N20M2U	30.0	480	4	20	33
4F6N25M2U	36.0	480	4	25	35
4F6N33M2U	48.0	480	4	33	38
4F6N40M2U	60.0	480	4	40	40
4F6N48M2U	72.0	480	4	48	43
4F6N52M2U	80.0	480	4	52	45
4F6N64M2U	100.0	480	4	64	50
4F6N77M2U	120.0	480	4	77	54
5F6N18M2U	24.0	480	5	18	38
5F9N18M2U	36.0	480	5	18	41
5F6N20M2U	30.0	480	5	20	39
5F9N20M2U	45.0	480	5	20	43
5F6N25M2U	36.0	480	5	25	41
5F9N25M2U	54.0	480	5	25	46
5F6N33M2U	48.0	480	5	33	44
5F9N33M2U	72.0	480	5	33	50
5F6N40M2U	60.0	480	5	40	46
5F9N40M2U	90.0	480	5	40	54
5F6N48M2U	72.0	480	5	48	49
5F9N48M2U	108.0	480	5	48	58
5F6N52M2U	80.0	480	5	52	51
5F9N52M2U	120.0	480	5	52	60
5F6N64M2U	100.0	480	5	64	56
5F9N64M2U	150.0	480	5	64	68
5F6N77M2U	120.0	480	5	77	60
5F9N77M2U	180.0	480	5	77	74
6F12N18M2U	48.0	480	6	18	55
6F15N18M2U	60.0	480	6	18	58

Flanged Heaters

Type IF

WattDensity: 90

Gaumer Catalog Number	kW	Voltage (3 Ph)	Flange Size (Inches)	Immersed Length (in.)	Weight (lbs.)
6F12N20M2U	60.0	480	6	20	57
6F15N20M2U	75.0	480	6	20	61
6F12N25M2U	72.0	480	6	25	61
6F15N25M2U	90.0	480	6	25	66
6F12N33M2U	96.0	480	6	33	67
6F15N33M2U	120.0	480	6	33	73
6F12N40M2U	120.0	480	6	40	72
6F15N40M2U	150.0	480	6	40	79
6F12N48M2U	144.0	480	6	48	78
6F15N48M2U	180.0	480	6	48	86
6F12N52M2U	160.0	480	6	52	80
6F15N52M2U	200.0	480	6	52	90
6F12N64M2U	200.0	480	6	64	91
6F15N64M2U	250.0	480	6	64	103
6F12N77M2U	240.0	480	6	77	98
6F15N77M2U	300.0	480	6	77	112
8F18N18M2U	72.0	480	8	18	88
8F24N18M2U	96.0	480	8	18	94
8F18N20M2U	90.0	480	8	20	92
8F24N20M2U	120.0	480	8	20	99
8F18N25M2U	108.0	480	8	25	97
8F24N25M2U	144.0	480	8	25	106
8F18N33M2U	144.0	480	8	33	106
8F24N33M2U	192.0	480	8	33	118
8F18N40M2U	180.0	480	8	40	113
8F24N40M2U	240.0	480	8	40	128
8F18N48M2U	216.0	480	8	48	122
8F24N48M2U	288.0	480	8	48	139
8F18N52M2U	240.0	480	8	52	126
8F24N52M2U	320.0	480	8	52	145
8F18N64M2U	306.0	480	8	64	142
8F24N64M2U	408.0	480	8	64	166
8F18N77M2U	360.0	480	8	77	153
8F24N77M2U	480.0	480	8	77	181

WattDensity: 60

Gaumer Catalog Number	kW	Voltage (3 Ph)	Flange Size (Inches)	Immersed Length (in.)	Weight (lbs.)
2F3N18B2	8.0	240	2.5	18	14
2F3N18B4	8.0	480	2.5	18	14
2F3N20B2	8.7	240	2.5	20	15
2F3N20B4	8.7	480	2.5	20	15
2F3N25B2	12.0	240	2.5	25	16
2F3N25B4	12.0	480	2.5	25	16
2F3N33B2	15.0	240	2.5	33	17
2F3N33B4	15.0	480	2.5	33	17
2F3N43B2	20.0	240	2.5	40	17
2F3N43B4	20.0	480	2.5	40	19
2F3N52B2	25.0	240	2.5	52	19
2F3N52B4	25.0	480	2.5	52	20

Flanged Heaters

Type IF

WattDensity: 60

Gaumer Catalog Number	kW	Voltage (3 Ph)	Flange Size (Inches)	Immersed Length (in.)	Weight (lbs.)
2F3N61B2	30.0	240	2.5	61	22
2F3N61B4	30.0	480	2.5	61	22
2F3N88B4	44.4	480	2.5	88	27
2F3N106B4	50.0	480	2.5	106	30
2F3N120B4	57.0	480	2.5	120	33
3F3N18B2	8.0	240	3	18	18
3F3N18B4	8.0	480	3	18	18
3F3N20B2	10.0	240	3	20	19
3F3N20B4	10.0	480	3	20	19
3F3N25B2	12.0	240	3	25	20
3F3N25B4	12.0	480	3	25	20
3F3N33B2	15.0	240	3	33	21
3F3N33B4	15.0	480	3	33	21
3F3N43B2	20.0	240	3	43	21
3F3N43B4	20.0	480	3	43	23
3F3N52B2	25.0	240	3	52	23
3F3N52B4	25.0	480	3	52	24
3F3N61B2	30.0	240	3	61	26
3F3N61B4	30.0	480	3	61	26
3F3N88B4	45.0	480	3	88	31
3F3N106B4	50.0	480	3	106	34
3F3N120B4	57.0	480	3	120	37
4F6N18B2	16.0	240	4	18	32
4F6N18B4	16.0	480	4	18	32
4F6N20B2	17.4	240	4	20	33
4F6N25B2	24.0	240	4	25	35
4F6N25B4	24.0	480	4	25	35
4F6N33B2	30.0	240	4	33	38
4F6N33B4	30.0	480	4	33	38
4F6N43B2	40.0	240	4	43	38
4F6N43B4	40.0	480	4	43	41
4F6N52B2	50.0	240	4	52	43
4F6N52B4	50.0	480	4	52	45
4F6N61B2	60.0	240	4	61	48
4F6N61B4	60.0	480	4	61	48
4F6N88B4	89.0	480	4	88	58
4F6N106B4	100.0	480	4	106	64
4F6N120B4	114.0	480	4	120	69
5F6N18B2	16.0	240	5	18	38
5F6N18B4	16.0	480	5	18	38
5F9N18B2	24.0	240	5	18	42
5F9N18B4	24.0	480	5	18	42
5F6N20B2	20.0	240	5	20	39
5F6N20B4	20.0	480	5	20	39
5F9N20B2	30.0	240	5	20	43
5F9N20B4	30.0	480	5	20	43
5F6N25B2	24.0	240	5	25	41
5F6N25B4	24.0	480	5	25	41
5F9N25B2	36.0	240	5	25	46

Flanged Heaters

Type IF

WattDensity: 60

Gaumer Catalog Number	kW	Voltage (3 Ph)	Flange Size (Inches)	Immersed Length (in.)	Weight (lbs.)
5F9N25B4	36.0	480	5	25	46
5F6N33B2	30.0	240	5	33	44
5F6N33B4	30.0	480	5	33	44
5F9N33B2	45.0	240	5	33	49
5F9N33B4	45.0	480	5	33	50
5F6N43B2	40.0	240	5	43	44
5F6N43B4	40.0	480	5	43	47
5F9N43B2	60.0	240	5	43	50
5F9N43B4	60.0	480	5	43	55
5F6N52B2	50.0	240	5	52	49
5F6N52B4	50.0	480	5	52	51
5F9N52B2	75.0	240	5	52	57
5F9N52B4	75.0	480	5	52	60
5F6N61B2	60.0	240	5	61	54
5F6N61B4	60.0	480	5	61	54
5F9N61B2	90.0	240	5	61	65
5F9N61B4	90.0	480	5	61	65
5F6N88B4	89.0	480	5	88	64
5F9N88B4	133.0	480	5	88	80
5F6N106B4	100.0	240	5	106	70
5F9N106B4	151.0	480	5	106	90
5F6N120B4	114.0	480	5	120	75
5F9N120B4	171.0	480	5	120	97
6F12N18B2	32.0	240	6	18	56
6F12N18B4	32.0	480	6	18	56
6F15N18B2	40.0	240	6	18	59
6F15N18B4	40.0	480	6	18	59
6F12N20B2	40.0	240	6	20	57
6F12N20B4	40.0	480	6	20	57
6F15N20B2	50.0	240	6	20	61
6F15N20B4	50.0	480	6	20	61
6F12N25B2	48.0	240	6	25	61
6F12N25B4	48.0	480	6	25	61
6F15N25B2	60.0	240	6	25	66
6F15N25B4	60.0	480	6	25	66
6F12N33B2	60.0	240	6	33	66
6F12N33B4	60.0	480	6	33	67
6F15N33B2	75.0	240	6	33	72
6F15N33B4	75.0	480	6	33	73
6F12N43B2	80.0	240	6	43	67
6F12N43B4	80.0	480	6	43	74
6F15N43B2	100.0	240	6	43	73
6F15N43B4	100.0	480	6	43	82
6F12N52B2	100.0	240	6	52	77
6F12N52B4	100.0	480	6	52	80
6F15N52B2	125.0	240	6	52	85
6F15N52B4	125.0	480	6	52	90
6F12N61B2	120.0	240	6	61	87
6F12N61B4	120.0	480	6	61	87

Flanged Heaters

Type IF

WattDensity: 60

Gaumer Catalog Number	kW	Voltage (3 Ph)	Flange Size (Inches)	Immersed Length (in.)	Weight (lbs.)
6F15N61B2	150.0	240	6	61	98
6F15N61B4	150.0	480	6	61	98
6F12N88B4	178.0	240	6	88	106
6F15N88B4	222.0	480	6	88	122
6F12N106B4	200.0	480	6	106	120
6F15N106B4	250.0	480	6	106	139
6F12N120B4	228.0	480	6	120	129
6F15N120B4	285.0	480	6	120	151
8F18N18B2	48.0	240	8	18	89
8F18N18B4	48.0	480	8	18	89
8F24N18B2	64.0	240	8	18	96
8F24N18B4	64.0	480	8	18	96
8F18N20B2	60.0	240	8	20	92
8F18N20B4	60.0	480	8	20	92
8F24N20B2	80.0	240	8	20	99
8F24N20B4	80.0	480	8	20	99
8F18N25B2	72.0	240	8	25	97
8F18N25B4	72.0	480	8	25	97
8F24N25B2	96.0	240	8	25	106
8F24N25B4	96.0	480	8	25	106
8F18N33B2	90.0	240	8	33	105
8F18N33B4	90.0	480	8	33	106
8F24N33B2	120.0	240	8	33	116
8F24N33B4	120.0	480	8	33	118
8F18N43B2	120.0	240	8	43	106
8F18N43B4	120.0	480	8	43	116
8F24N43B2	160.0	240	8	43	118
8F24N43B4	160.0	480	8	43	132
8F18N52B2	150.0	240	8	52	121
8F18N52B4	150.0	480	8	52	126
8F24N52B2	200.0	240	8	52	138
8F24N52B4	200.0	480	8	52	145
8F18N61B2	180.0	240	8	61	136
8F18N61B4	180.0	480	8	61	136
8F24N61B2	240.0	240	8	61	158
8F24N61B4	240.0	480	8	61	158
8F18N88B4	266.0	480	8	88	165
8F24N88B4	355.0	480	8	88	197
8F18N106B4	301.0	480	8	106	185
8F24N106B4	400.0	480	8	106	224
8F18N120B4	342.0	480	8	120	200
8F24N120B4	455.0	480	8	120	243
10F27N33B4	135.0	480	10	33	153
10F36N33B4	180.0	480	10	33	171
10F27N43B4	180.0	480	10	43	170
10F36N43B4	240.0	480	10	43	193
10F27N52B4	225.0	480	10	52	184
10F30N52B4	250.0	480	10	52	212
10F36N52B4	300.0	480	10	52	212

Flanged Heaters

Type IF

WattDensity: 60

Gaumer Catalog Number	kW	Voltage (3 Ph)	Flange Size (Inches)	Immersed Length (in.)	Weight (lbs.)
10F27N61B4	270.0	480	10	61	199
10F30N61B4	300.0	480	10	61	215
10F36N61B4	360.0	480	10	61	232
10F27N88B4	400.0	480	10	88	243
10F30N88B4	444.0	480	10	88	260
10F36N88B4	532.0	480	10	88	290
10F27N106B4	451.0	480	10	106	273
10F30N106B4	501.0	480	10	106	300
10F36N106B4	601.0	480	10	106	330
10F27N120B4	513.0	480	10	120	294
10F30N120B4	570.0	480	10	120	330
10F36N120B4	684.0	480	10	120	359
12F36N33B4	180.0	480	12	33	234
12F48N33B4	240.0	480	12	33	258
12F36N43B4	240.0	480	12	43	256
12F48N43B4	320.0	480	12	43	287
12F36N52B4	300.0	480	12	52	275
12F48N52B4	400.0	480	12	52	313
12F36N61B4	360.0	480	12	61	295
12F48N61B4	480.0	480	12	61	339
12F36N88B4	532.0	480	12	88	353
12F48N88B4	710.0	480	12	88	416
12F36N106B4	601.0	480	12	106	393
12F48N106B4	801.0	480	12	106	470
12F36N120B4	684.0	480	12	120	422
12F48N120B4	911.0	480	12	120	509
14F45N33B4	225.0	480	14	33	272
14F54N33B4	270.0	480	14	33	290
14F45N43B4	300.0	480	14	43	299
14F54N43B4	360.0	480	14	43	322
14F45N52B4	375.0	480	14	52	323
14F48N52B4	400.0	480	14	52	340
14F54N52B4	450.0	480	14	52	351
14F60N52B4	500.0	480	14	52	370
14F72N52B4	600.0	480	14	52	408
14F45N61B4	450.0	480	14	61	348
14F48N61B4	480.0	480	14	61	360
14F54N61B4	540.0	480	14	61	381
14F60N61B4	600.0	480	14	61	403
14F72N61B4	720.0	480	14	61	447
14F45N88B4	666.0	480	14	88	421
14F48N88B4	710.0	480	14	88	435
14F54N88B4	800.0	480	14	88	468
14F60N88B4	888.0	480	14	88	500
14F72N88B4	1066.0	480	14	88	563
14F45N106B4	735.0	480	14	106	471
14F48N106B4	800.0	480	14	106	505
14F54N106B4	902.0	480	14	106	529
14F60N106B4	1002.0	480	14	106	567

Flanged Heaters

Type IF

WattDensity: 60

Gaumer Catalog Number	kW	Voltage (3 Ph)	Flange Size (Inches)	Immersed Length (in.)	Weight (lbs.)
14F72N106B4	1202.0	480	14	106	644
14F45N120B4	836.0	480	14	120	507
14F48N120B4	912.0	480	14	120	535
14F54N120B4	1026.0	480	14	120	572
14F60N120B4	1140.0	480	14	120	615
14F72N120B4	1368.0	480	14	120	701

Flanged Heaters - Type IF

Rated 45 watts/sq.in.

APPLICATIONS

90 Watts Per Square Inch

For heating clean water only in commercial and/or residential applications. Element life is sacrificed in favor of a low initial heater cost.

60 and 45 Watts Per Square Inch

Industrial water heating - many aqueous solutions which are compatible with steel and Incoloy.

23 and 20 Watts Per Square Inch

For heat transfer oil, cleaners, high temperature air and gas heating.

15 and 12 Watts Per Square Inch

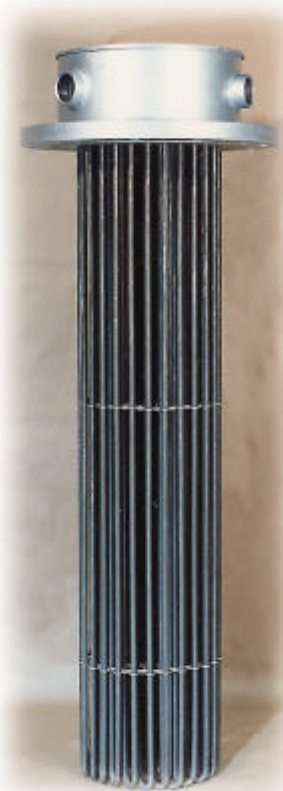
For lubricating oils, medium viscosity oils, high temperature air and gas heating.

8 and 6 Watts Per Square Inch

For #5 and #6 fuel oil heating, viscous materials, raw crude oil, residual oils, high temperature air and gas heating.

4 and 2 Watts Per Square Inch

For asphalt and other hard-to-heat substances, extra high temperature air and gas.



STANDARD FEATURES

Heating Elements

- Incoloy 800 Sheath Material
- Heavy Wall (.035 in.)
- Large diameter (.475 in.)
- Sealed Terminals

Spacers

- High Temp Alloy Material
- Rugged Design
- "Evenflow" Configuration

Construction

- Welded Heating Elements
- Welded Terminal Housing
- Welded Spacers

Installation

- Flying Leadwires Provided
- Only Standard Materials Needed in Field

Service

- Wiring Modifiable in Field
- Assembly Repairable at Factory

SPECIAL FEATURES

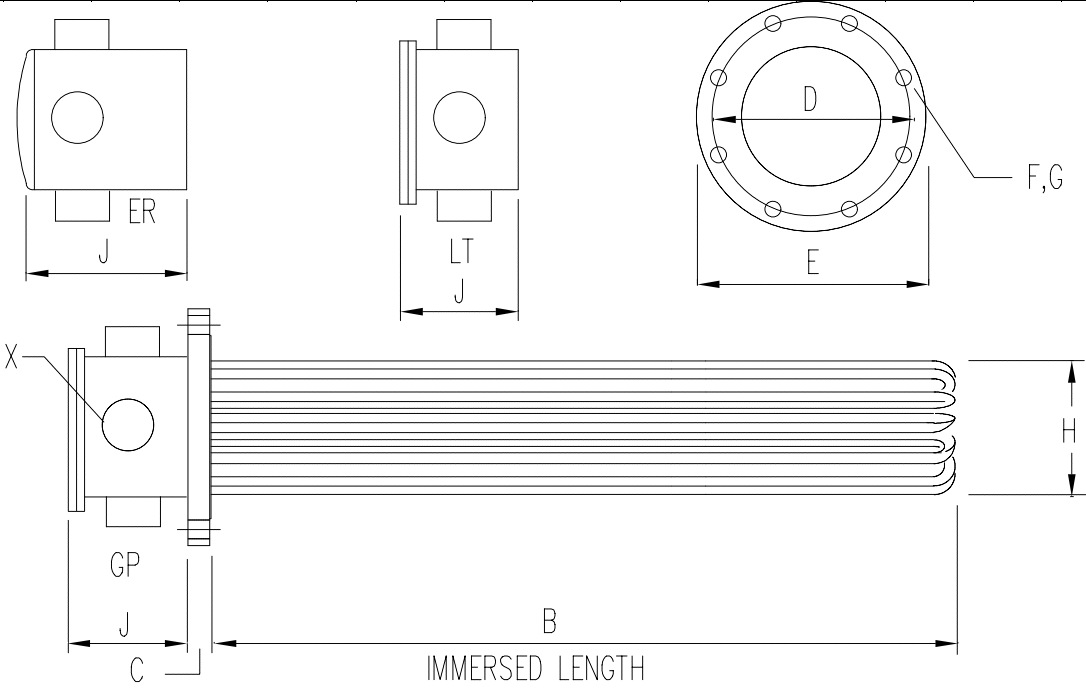
- ER Explosion Resistant Terminal Enclosure
- LT Moisture Resistant Terminal Enclosure
- J(K) Sheath Sensing Thermocouple attached to one element for overheat protection.
- S Stainless Steel Flange - Type 304
- SS Stainless Steel Flange - Type 316
- SpHtr Space Heater Mounted in Terminal Enclosure
- OSTHsg Offset (Spaced Away) Terminal Housing
- XX Special Feature not Listed Above
- 3(?)-(P/N) 300(?)# ANSI Flange

Flanged Heaters

Type IF

**Gaumer Drawing No. IF-200
(Dimension Flange Heater Detail)**

Flange Size	Pressur Class	Flange Dimensions (inches)			Hole Size	No. of Holes	Min. Hole Diam.	Housing Height (inches)			X - No and Size Conduit Connection		
		C Thick	D Diam:	E Diam:				F	G	H	J GP:	J ER:	J LT:
2-1/2	150	7/8	5-1/2	7	3/4	4	2-1/4	2-5/8	5-1/2	2-5/8	1@1	2@1-1/4	1@1
2-1/2	300	1	5-7/8	7-1/2	7/8	8	2-1/4	2-5/8	5-1/2	2-5/8	1@1	2@1-1/4	1@1
3	150	0-15/16	6	7-1/2	3/4	4	2-3/4	2-5/8	5-1/2	2-5/8	1@1	2@1-1/4	1@1
3	300	1-1/8	6-5/8	8-1/4	7/8	8	2-3/4	2-5/8	5-1/2	2-5/8	1@1	2@1-1/4	1@1
4	150	0-15/16	7-1/2	9	3/4	8	3-13/16	5-1/2	6-1/2	5-1/2	4@1-1/2	2@1-1/2	4@1-1/2
4	300	1-1/4	7-7/8	10	7/8	8	3-13/16	5-1/2	6-1/2	5-1/2	4@1-1/2	2@1-1/2	4@1-1/2
5	150	0-15/16	8-1/2	10	7/8	8	4-13/16	5-1/2	6-1/2	5-1/2	4@1-1/2	2@1-1/2	4@1-1/2
5	300	1-3/8	9-1/4	11	7/8	8	4-13/16	5-1/2	6-1/2	5-1/2	4@1-1/2	2@1-1/2	4@1-1/2
6	150	1	9-1/2	11	7/8	8	5-3/4	5-1/2	8	5-1/2	4@1-1/2	4@1-1/2	4@1-1/2
6	300	1-7/16	10-5/8	12-1/2	7/8	12	5-3/4	5-1/2	8	5-1/2	4@1-1/2	4@1-1/2	4@1-1/2
8	150	1-1/8	11-3/4	13-1/2	7/8	8	7-13/16	5-1/2	9	5-1/2	4@1-1/2	4@1-1/2	4@1-1/2
8	300	1-5/8	13	15	1	12	7-13/16	5-1/2	9	5-1/2	4@1-1/2	4@1-1/2	4@1-1/2
10	150	1-3/16	14-1/4	16	1	12	9-5/8	7	11	7	4@2	4@2	4@2
10	300	1-7/8	15-1/4	17-1/2	1-1/8	16	9-5/8	7	11	7	4@2	4@2	4@2
12	150	1-1/4	17	19	1	12	11-5/8	7	11	7	4@2	4@2	4@2
12	300	2	17-3/4	20-1/2	1-1/4	16	11-5/8	7	11	7	4@2	4@2	4@2
14	150	1-3/8	18-3/4	21	1-1/8	12	12-1/2	7	11	7	4@2	4@2	4@2
14	300	2-1/8	20-1/4	23	1-1/4	20	12-1/2	7	11	7	4@2	4@2	4@2
16	150	1-7/16	21-1/4	23-1/2	1-1/8	16	14-1/2	9	13	9	4@2	4@2	4@2
16	300	2-1/4	22-1/2	25-1/2	1-3/8	20	14-1/2	9	13	9	4@2	4@2	4@2
18	150	1-9/16	22-3/4	25	1-1/4	16	16-3/8	9	13	9	4@2	4@2	4@2
18	300	2-3/8	24-3/4	28	1-3/8	24	16-3/8	9	13	9	4@2	4@2	4@2
20	150	1-11/16	25	27-1/2	1-1/4	20	18-5/16	9	13	9	4@2	4@2	4@2
20	300	2-1/2	27	30-1/2	1-3/8	24	18-5/16	9	13	9	4@2	4@2	4@2
24	150	1-7/8	29-1/2	32	1-3/8	20	22-1/8	11	15	11	6@2	6@2	6@2
24	300	2-3/4	32	36	1-5/8	24	22-1/8	11	15	11	6@2	6@2	6@2



Flanged Heaters

Type IF

WattDensity: 45

Gaumer Catalog Number	kW	Voltage (3 Ph)	Flange Size (Inches)	Immersed Length (in.)	Weight (lbs.)
2F3N13H2	4.5	240	2.5	13	13
2F3N13H4	4.5	480	2.5	13	13
2F3N18H2	6.0	240	2.5	18	14
2F3N18H4	6.0	480	2.5	18	14
2F3N20H2	7.5	240	2.5	20	15
2F3N20H4	7.5	480	2.5	20	15
2F3N25H2	9.0	240	2.5	25	16
2F3N25H4	9.0	480	2.5	25	16
2F3N33H2	12.0	240	2.5	33	17
2F3N33H4	12.0	480	2.5	33	17
2F3N40H2	15.0	240	2.5	40	23
2F3N40H4	15.0	480	2.5	40	18
2F3N48H2	18.0	240	2.5	48	20
2F3N48H4	18.0	480	2.5	48	19
2F3N61H2	25.0	240	2.5	61	22
2F3N61H4	25.0	480	2.5	61	22
2F3N78H2	33.3	240	2.5	78	25
2F3N78H4	33.3	480	2.5	78	25
2F3N88H4	37.5	480	2.5	88	27
2F3N106H4	41.7	480	2.5	106	30
2F3N120H4	45.0	480	2.5	120	33
2F3N140H4	52.5	480	2.5	140	36
2F3N160H4	60.0	480	2.5	160	40
2F3N180H4	67.5	480	2.5	180	43
3F3N13H2	4.5	240	3	13	17
3F3N13H4	4.5	480	3	13	17
3F3N18H2	6.0	240	3	18	18
3F3N18H4	6.0	480	3	18	18
3F3N20H2	7.5	240	3	20	19
3F3N20H4	7.5	480	3	20	19
3F3N25H2	9.0	240	3	25	20
3F3N25H4	9.0	480	3	25	20
3F3N33H2	12.0	240	3	33	21
3F3N33H4	12.0	480	3	33	21
3F3N40H2	15.0	240	3	40	27
3F3N40H4	15.0	480	3	40	22
3F3N48H2	18.0	240	3	48	24
3F3N48H4	18.0	480	3	48	23
3F3N61H2	25.0	240	3	61	26
3F3N61H4	25.0	480	3	61	26
3F3N78H2	33.0	240	3	78	29
3F3N78H4	33.0	480	3	78	29
3F3N88H4	38.0	480	3	88	31
3F3N106H4	42.0	480	3	106	34
3F3N120H4	45.0	480	3	120	37
3F3N140H4	53.0	480	3	140	40
3F3N160H4	60.0	480	3	160	44
3F3N180H4	68.0	480	3	180	47
4F6N13H2	9.0	240	4	13	31

Flanged Heaters

Type IF

WattDensity: 45

Gaumer Catalog Number	kW	Voltage (3 Ph)	Flange Size (Inches)	Immersed Length (in.)	Weight (lbs.)
4F6N13H4	9.0	480	4	13	31
4F6N18H2	12.0	240	4	18	32
4F6N18H4	12.0	480	4	18	32
4F6N20H2	15.0	240	4	20	33
4F6N20H4	15.0	480	4	20	33
4F6N25H2	18.0	240	4	25	35
4F6N25H4	18.0	480	4	25	35
4F6N33H2	24.0	240	4	33	38
4F6N33H4	24.0	480	4	33	38
4F6N40H2	30.0	240	4	40	50
4F6N40H4	30.0	480	4	40	40
4F6N48H2	36.0	240	4	48	43
4F6N48H4	36.0	480	4	48	43
4F6N61H2	50.0	240	4	61	48
4F6N61H4	50.0	480	4	61	48
4F6N78H2	67.0	240	4	78	54
4F6N78H4	67.0	480	4	78	54
4F6N88H4	19.0	480	4	88	58
4F6N106H4	21.0	480	4	106	64
4F6N120H4	23.0	480	4	120	69
4F6N140H4	105.0	480	4	140	76
4F6N160H4	121.0	480	4	160	84
4F6N180H4	135.0	480	4	180	91
5F6N13H2	9.0	240	5	13	37
5F6N13H4	9.0	480	5	13	37
5F6N18H2	12.0	240	5	18	38
5F6N18H4	12.0	480	5	18	38
5F6N20H2	15.0	240	5	20	39
5F6N20H4	15.0	480	5	20	39
5F6N25H2	18.0	240	5	25	41
5F6N25H4	18.0	480	5	25	41
5F6N33H2	24.0	240	5	33	44
5F6N33H4	24.0	480	5	33	44
5F6N40H2	30.0	240	5	40	56
5F6N40H4	30.0	480	5	40	46
5F6N48H2	36.0	240	5	48	49
5F6N48H4	36.0	480	5	48	49
5F6N61H2	50.0	240	5	61	54
5F6N61H4	50.0	480	5	61	54
5F6N78H2	67.0	240	5	78	60
5F6N78H4	67.0	480	5	78	60
5F6N88H4	75.0	480	5	88	64
5F6N106H4	21.0	480	5	106	70
5F6N120H4	90.0	480	5	120	75
5F6N140H4	105.0	480	5	140	82
5F6N160H4	121.0	480	5	160	90
5F6N180H4	135.0	480	5	180	97
5F9N13H2	14.0	240	5	13	39
5F9N13H4	14.0	480	5	13	39

Flanged Heaters

Type IF

WattDensity: 45

Gaumer Catalog Number	kW	Voltage (3 Ph)	Flange Size (Inches)	Immersed Length (in.)	Weight (lbs.)
5F9N18H2	18.0	240	5	18	42
5F9N18H4	18.0	480	5	18	42
5F9N20H2	23.0	240	5	20	43
5F9N20H4	23.0	480	5	20	43
5F9N25H2	27.0	240	5	25	46
5F9N25H4	27.0	480	5	25	46
5F9N33H2	36.0	240	5	33	49
5F9N33H4	36.0	480	5	33	50
5F9N40H2	45.0	240	5	40	68
5F9N40H4	45.0	480	5	40	54
5F9N48H2	54.0	240	5	48	58
5F9N48H4	54.0	480	5	48	57
5F9N61H2	75.0	240	5	61	65
5F9N61H4	75.0	480	5	61	65
5F9N78H2	100.0	240	5	78	74
5F9N78H4	100.0	480	5	78	74
5F9N88H4	113.0	480	5	88	80
5F9N106H4	125.0	480	5	106	89
5F9N120H4	135.0	480	5	120	97
5F9N140H4	158.0	480	5	140	108
5F9N160H4	181.0	480	5	160	118
5F9N180H4	203.0	480	5	180	129
6F12N13H2	18.0	240	6	13	52
6F12N13H4	18.0	480	6	13	52
6F12N18H2	24.0	240	6	18	56
6F12N18H4	24.0	480	6	18	56
6F12N20H2	30.0	240	6	20	57
6F12N20H4	30.0	480	6	20	57
6F12N25H2	36.0	240	6	25	61
6F12N25H4	36.0	480	6	25	61
6F12N33H2	48.0	240	6	33	66
6F12N33H4	48.0	480	6	33	67
6F12N40H2	60.0	240	6	40	91
6F12N40H4	60.0	480	6	40	72
6F12N48H2	72.0	240	6	48	78
6F12N48H4	72.0	480	6	48	77
6F12N61H2	100.0	240	6	61	87
6F12N61H4	100.0	480	6	61	87
6F12N78H2	133.0	240	6	78	99
6F12N78H4	133.0	480	6	78	99
6F12N88H4	38.0	480	6	88	106
6F12N106H4	167.0	480	6	106	119
6F12N120H4	180.0	480	6	120	129
6F12N140H4	210.0	480	6	140	144
6F12N160H4	241.0	480	6	160	158
6F12N180H4	270.0	480	6	180	173
6F15N13H2	23.0	240	6	13	55
6F15N13H4	23.0	480	6	13	55
6F15N18H2	30.0	240	6	18	59

Flanged Heaters

Type IF

WattDensity: 45

Gaumer Catalog Number	kW	Voltage (3 Ph)	Flange Size (Inches)	Immersed Length (in.)	Weight (lbs.)
6F15N18H4	30.0	480	6	18	59
6F15N20H2	38.0	240	6	20	61
6F15N20H4	38.0	480	6	20	61
6F15N25H2	45.0	240	6	25	66
6F15N25H4	45.0	480	6	25	66
6F15N33H2	60.0	240	6	33	72
6F15N33H4	60.0	480	6	33	73
6F15N40H2	75.0	240	6	40	103
6F15N40H4	75.0	480	6	40	79
6F15N48H2	90.0	240	6	48	86
6F15N48H4	90.0	480	6	48	85
6F15N61H2	125.0	240	6	61	98
6F15N61H4	125.0	480	6	61	98
6F15N78H2	167.0	240	6	78	113
6F15N78H4	167.0	480	6	78	113
6F15N88H4	188.0	480	6	88	122
6F15N106H4	209.0	480	6	106	138
6F15N120H4	225.0	480	6	120	151
6F15N140H4	263.0	480	6	140	169
6F15N160H4	301.0	480	6	160	187
6F15N180H4	338.0	480	6	180	205
8F18N13H2	27.0	240	8	13	84
8F18N13H4	27.0	480	8	13	84
8F18N18H2	36.0	240	8	18	89
8F18N18H4	36.0	480	8	18	89
8F18N20H2	45.0	240	8	20	92
8F18N20H4	45.0	480	8	20	92
8F18N25H2	54.0	240	8	25	97
8F18N25H4	54.0	480	8	25	97
8F18N33H2	72.0	240	8	33	105
8F18N33H4	72.0	480	8	33	106
8F18N40H2	90.0	240	8	40	142
8F18N40H4	90.0	480	8	40	113
8F18N48H2	108.0	240	8	48	122
8F18N48H4	108.0	480	8	48	121
8F18N61H2	150.0	240	8	61	136
8F18N61H4	150.0	480	8	61	136
8F18N78H2	200.0	240	8	78	154
8F18N78H4	200.0	480	8	78	154
8F18N88H4	225.0	480	8	88	165
8F18N106H4	250.0	480	8	106	184
8F18N120H4	270.0	480	8	120	200
8F18N140H4	315.0	480	8	140	221
8F18N160H4	361.0	480	8	160	243
8F18N180H4	405.0	480	8	180	264
8F24N13H2	36.0	240	8	13	89
8F24N13H4	36.0	480	8	13	89
8F24N18H2	48.0	240	8	18	96
8F24N18H4	48.0	480	8	18	96

Flanged Heaters

Type IF

WattDensity: 45

Gaumer Catalog Number	kW	Voltage (3 Ph)	Flange Size (Inches)	Immersed Length (in.)	Weight (lbs.)
8F24N20H2	60.0	240	8	20	99
8F24N20H4	60.0	480	8	20	99
8F24N25H2	72.0	240	8	25	106
8F24N25H4	72.0	480	8	25	106
8F24N33H2	96.0	240	8	33	116
8F24N33H4	96.0	480	8	33	118
8F24N40H2	120.0	240	8	40	166
8F24N40H4	120.0	480	8	40	128
8F24N48H2	144.0	240	8	48	139
8F24N48H4	144.0	480	8	48	138
8F24N61H2	200.0	240	8	61	158
8F24N61H4	200.0	480	8	61	158
8F24N78H2	267.0	240	8	78	182
8F24N78H4	267.0	480	8	78	182
8F24N88H4	300.0	480	8	88	197
8F24N106H4	333.0	480	8	106	223
8F24N120H4	362.0	480	8	120	243
8F24N140H4	421.0	480	8	140	272
8F24N160H4	483.0	480	8	160	300
8F24N180H4	541.0	480	8	180	329
10F27N52H4	162.0	480	10	52	184
10F27N61H4	225.0	480	10	61	199
10F27N78H4	300.0	480	10	78	226
10F27N88H4	337.0	480	10	88	243
10F27N106H4	375.0	480	10	106	272
10F27N120H4	405.0	480	10	120	294
10F30N52H4	180.0	480	10	52	184
10F30N61H4	250.0	480	10	61	215
10F30N78H4	333.0	480	10	78	240
10F30N88H4	375.0	480	10	88	260
10F30N106H4	417.0	480	10	106	300
10F30N120H4	450.0	480	10	120	330
10F36N33H4	144.0	480	10	33	171
10F36N40H4	180.0	480	10	40	186
10F36N52H4	216.0	480	10	52	212
10F36N61H4	300.0	480	10	61	232
10F36N78H4	399.0	480	10	78	268
10F36N88H4	450.0	480	10	88	290
10F36N106H4	501.0	480	10	106	329
10F36N120H4	541.0	480	10	120	359
10F36N140H4	631.0	480	10	140	402
10F36N160H4	723.0	480	10	160	446
10F36N180H4	811.0	480	10	180	489
12F36N52H4	216.0	480	12	52	275
12F36N61H4	300.0	480	12	61	295
12F36N78H4	400.0	480	12	78	331
12F36N88H4	450.0	480	12	88	353
12F36N106H4	500.0	480	12	106	392
12F36N120H4	540.0	480	12	120	422

Flanged Heaters

Type IF

WattDensity: 45

Gaumer Catalog Number	kW	Voltage (3 Ph)	Flange Size (Inches)	Immersed Length (in.)	Weight (lbs.)
12F36N140H4	630.0	480	12	140	465
12F36N160H4	723.0	480	12	160	509
12F36N180H4	810.0	480	12	180	552
12F48N52H4	288.0	480	12	52	313
12F48N61H4	400.0	480	12	61	339
12F48N78H4	533.0	480	12	78	388
12F48N88H4	600.0	480	12	88	416
12F48N106H4	667.0	480	12	106	468
12F48N120H4	720.0	480	12	120	509
12F48N140H4	828.0	480	12	140	566
12F48N160H4	951.0	480	12	160	624
12F48N180H4	1065.0	480	12	180	681
14F48N52H4	288.0	480	14	52	340
14F48N61H4	400.0	480	14	61	360
14F48N78H4	533.0	480	14	78	405
14F48N88H4	600.0	480	14	88	435
14F48N106H4	667.0	480	14	106	505
14F48N120H4	720.0	480	14	120	535
14F48N140H4	840.0	480	14	140	605
14F48N160H4	965.0	480	14	160	655
14F48N180H4	1080.0	480	14	180	705
14F54N52H4	324.0	480	14	52	351
14F54N61H4	450.0	480	14	61	381
14F54N78H4	600.0	480	14	78	436
14F54N88H4	675.0	480	14	88	468
14F54N106H4	750.0	480	14	106	528
14F54N120H4	810.0	480	14	120	572
14F54N140H4	944.0	480	14	140	637
14F54N160H4	1085.0	480	14	160	701
14F54N180H4	1214.0	480	14	180	766
14F60N52H4	360.0	480	14	52	370
14F60N61H4	500.0	480	14	61	403
14F60N78H4	666.0	480	14	78	464
14F60N88H4	750.0	480	14	88	500
14F60N106H4	834.0	480	14	106	565
14F60N120H4	900.0	480	14	120	615
14F60N140H4	1050.0	480	14	140	687
14F60N160H4	1206.0	480	14	160	759
14F60N180H4	1350.0	480	14	180	831
14F72N52H4	432.0	480	14	52	408
14F72N61H4	600.0	480	14	61	447
14F72N78H4	800.0	480	14	78	520
14F72N88H4	900.0	480	14	88	563
14F72N106H4	1001.0	480	14	106	641
14F72N120H4	1080.0	480	14	120	701
14F72N140H4	1260.0	480	14	140	788
14F72N160H4	1447.0	480	14	160	874
14F72N180H4	1620.0	480	14	180	961
16F84N106H4	1168.0	480	16	106	771

Flanged Heaters

Type IF

WattDensity: 45

Gaumer Catalog Number	kW	Voltage (3 Ph)	Flange Size (Inches)	Immersed Length (in.)	Weight (lbs.)
16F84N120H4	1260.0	480	16	120	842
16F84N140H4	1470.0	480	16	140	943
16F84N160H4	1688.0	480	16	160	1043
16F84N180H4	1890.0	480	16	180	1144
18F108N106H4	1501.0	480	18	106	970
18F108N106H4	1501.0	480	18	106	970
18F108N120H4	1620.0	480	18	120	1061
18F108N120H4	1620.0	480	18	120	1061
18F108N140H4	1890.0	480	18	140	1190
18F108N140H4	1890.0	480	18	140	1190
18F108N160H4	2171.0	480	18	160	1320
18F108N160H4	2171.0	480	18	160	1320
18F108N180H4	2430.0	480	18	180	1449
18F108N180H4	2430.0	480	18	180	1449
20F144N106H4	2002.0	480	20	106	1283
20F144N120H4	2160.0	480	20	120	1404
20F144N140H4	2520.0	480	20	140	1577
20F144N160H4	2894.0	480	20	160	1749
20F144N180H4	3240.0	480	20	180	1922
24F192N106H4	2669.0	480	24	106	1746
24F192N120H4	2880.0	480	24	120	1907
24F192N140H4	3360.0	480	24	140	2138
24F192N160H4	3859.0	480	24	160	2368
24F192N180H4	4320.0	480	24	180	2599

Flanged Heaters - Type IF Rated 23/20 watts/sq.in.

APPLICATIONS

90 Watts Per Square Inch

For heating clean water only in commercial and/or residential applications. Element life is sacrificed in favor of a low initial heater cost.

60 and 45 Watts Per Square Inch

Industrial water heating - many aqueous solutions which are compatible with steel and Incoloy.

23 and 20 Watts Per Square Inch

For heat transfer oil, cleaners, high temperature air and gas heating.

15 and 12 Watts Per Square Inch

For lubricating oils, medium viscosity oils, high temperature air and gas heating.

8 and 6 Watts Per Square Inch

For #5 and #6 fuel oil heating, viscous materials, raw crude oil, residual oils, high temperature air and gas heating.

4 and 2 Watts Per Square Inch

For asphalt and other hard-to-heat substances, extra high temperature air and gas.

STANDARD FEATURES

Heating Elements

- Incoloy 800 Sheath Material
- Heavy Wall (.035 in.)
- Large diameter (.475 in.)
- Sealed Terminals

Spacers

- High Temp Alloy Material
- Rugged Design
- "Evenflow" Configuration

Construction

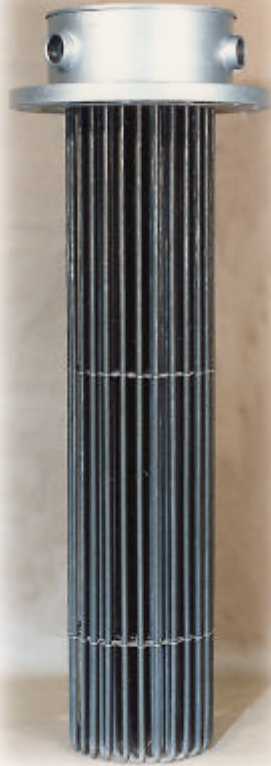
- Welded Heating Elements
- Welded Terminal Housing
- Welded Spacers

Installation

- Flying Leadwires Provided
- Only Standard Materials Needed in Field

Service

- Wiring Modifiable in Field
- Assembly Repairable at Factory



SPECIAL FEATURES

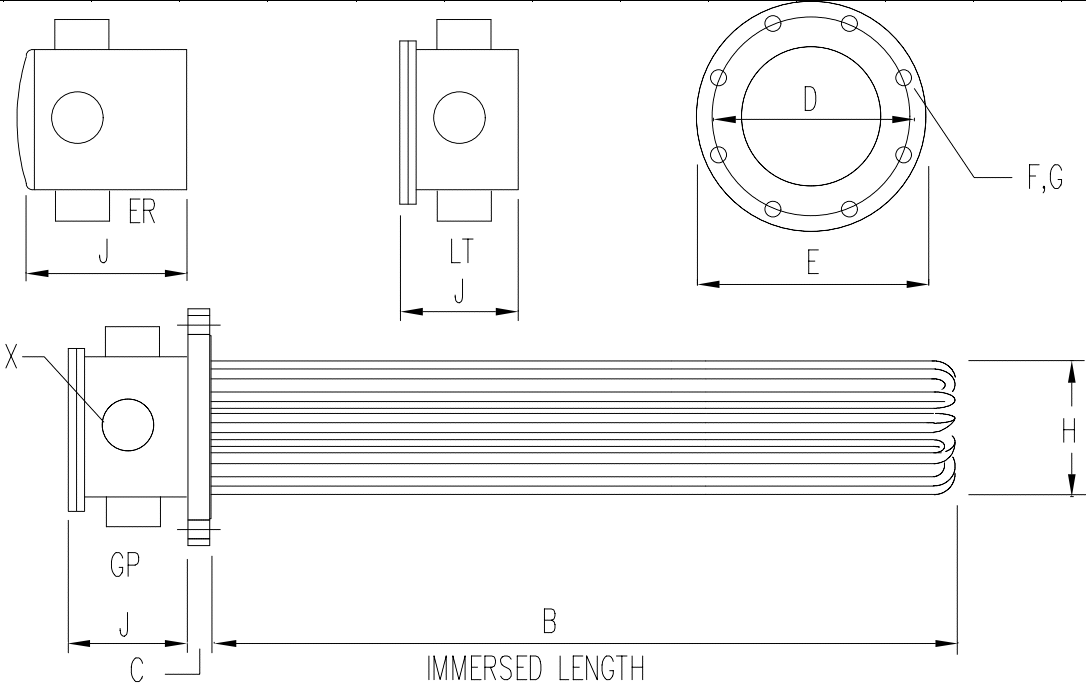
- ER Explosion Resistant Terminal Enclosure
- LT Moisture Resistant Terminal Enclosure
- J(K) Sheath Sensing Thermocouple attached to one element for overheat protection.
- S Stainless Steel Flange - Type 304
- SS Stainless Steel Flange - Type 316
- SpHtr Space Heater Mounted in Terminal Enclosure
- OSTHsg Offset (Spaced Away) Terminal Housing
- XX Special Feature not Listed Above
- 3(?)-(P/N) 300(?)# ANSI Flange

Flanged Heaters

Type IF

**Gaumer Drawing No. IF-200
(Dimension Flange Heater Detail)**

Flange Size	Pressur Class	Flange Dimensions (inches)			Hole Size	No. of Holes	Min. Hole Diam.	Housing Height (inches)			X - No and Size Conduit Connection		
		C Thick	D Diam:	E Diam:				F	G	H	J GP:	J ER:	J LT:
2-1/2	150	7/8	5-1/2	7	3/4	4	2-1/4	2-5/8	5-1/2	2-5/8	1@1	2@1-1/4	1@1
2-1/2	300	1	5-7/8	7-1/2	7/8	8	2-1/4	2-5/8	5-1/2	2-5/8	1@1	2@1-1/4	1@1
3	150	0-15/16	6	7-1/2	3/4	4	2-3/4	2-5/8	5-1/2	2-5/8	1@1	2@1-1/4	1@1
3	300	1-1/8	6-5/8	8-1/4	7/8	8	2-3/4	2-5/8	5-1/2	2-5/8	1@1	2@1-1/4	1@1
4	150	0-15/16	7-1/2	9	3/4	8	3-13/16	5-1/2	6-1/2	5-1/2	4@1-1/2	2@1-1/2	4@1-1/2
4	300	1-1/4	7-7/8	10	7/8	8	3-13/16	5-1/2	6-1/2	5-1/2	4@1-1/2	2@1-1/2	4@1-1/2
5	150	0-15/16	8-1/2	10	7/8	8	4-13/16	5-1/2	6-1/2	5-1/2	4@1-1/2	2@1-1/2	4@1-1/2
5	300	1-3/8	9-1/4	11	7/8	8	4-13/16	5-1/2	6-1/2	5-1/2	4@1-1/2	2@1-1/2	4@1-1/2
6	150	1	9-1/2	11	7/8	8	5-3/4	5-1/2	8	5-1/2	4@1-1/2	4@1-1/2	4@1-1/2
6	300	1-7/16	10-5/8	12-1/2	7/8	12	5-3/4	5-1/2	8	5-1/2	4@1-1/2	4@1-1/2	4@1-1/2
8	150	1-1/8	11-3/4	13-1/2	7/8	8	7-13/16	5-1/2	9	5-1/2	4@1-1/2	4@1-1/2	4@1-1/2
8	300	1-5/8	13	15	1	12	7-13/16	5-1/2	9	5-1/2	4@1-1/2	4@1-1/2	4@1-1/2
10	150	1-3/16	14-1/4	16	1	12	9-5/8	7	11	7	4@2	4@2	4@2
10	300	1-7/8	15-1/4	17-1/2	1-1/8	16	9-5/8	7	11	7	4@2	4@2	4@2
12	150	1-1/4	17	19	1	12	11-5/8	7	11	7	4@2	4@2	4@2
12	300	2	17-3/4	20-1/2	1-1/4	16	11-5/8	7	11	7	4@2	4@2	4@2
14	150	1-3/8	18-3/4	21	1-1/8	12	12-1/2	7	11	7	4@2	4@2	4@2
14	300	2-1/8	20-1/4	23	1-1/4	20	12-1/2	7	11	7	4@2	4@2	4@2
16	150	1-7/16	21-1/4	23-1/2	1-1/8	16	14-1/2	9	13	9	4@2	4@2	4@2
16	300	2-1/4	22-1/2	25-1/2	1-3/8	20	14-1/2	9	13	9	4@2	4@2	4@2
18	150	1-9/16	22-3/4	25	1-1/4	16	16-3/8	9	13	9	4@2	4@2	4@2
18	300	2-3/8	24-3/4	28	1-3/8	24	16-3/8	9	13	9	4@2	4@2	4@2
20	150	1-11/16	25	27-1/2	1-1/4	20	18-5/16	9	13	9	4@2	4@2	4@2
20	300	2-1/2	27	30-1/2	1-3/8	24	18-5/16	9	13	9	4@2	4@2	4@2
24	150	1-7/8	29-1/2	32	1-3/8	20	22-1/8	11	15	11	6@2	6@2	6@2
24	300	2-3/4	32	36	1-5/8	24	22-1/8	11	15	11	6@2	6@2	6@2



Flanged Heaters

Type IF

WattDensity: 23

Gaumer Catalog Number	kW	Voltage (3 Ph)	Flange Size (Inches)	Immersed Length (in.)	Weight (lbs.)
2F3N13M1	2.2	120	2.5	13	13
2F3N13M2	2.2	240	2.5	13	13
2F3N13M4	2.2	480	2.5	13	13
2F3N18M2	3.0	240	2.5	18	14
2F3N18M4	3.0	480	2.5	18	14
2F3N20M2	3.8	240	2.5	20	15
2F3N20M4	3.8	480	2.5	20	15
2F3N25M2	4.5	240	2.5	25	16
2F3N25M4	4.5	480	2.5	25	16
2F3N33M2	6.0	240	2.5	33	17
2F3N33M4	6.0	480	2.5	33	17
2F3N40M2	7.5	240	2.5	40	18
2F3N40M4	7.5	480	2.5	40	18
2F3N48M2	9.0	240	2.5	48	20
2F3N48M4	9.0	480	2.5	48	20
2F3N52M2	10.0	240	2.5	52	20
2F3N52M4	10.0	480	2.5	52	20
2F3N64M2	12.5	240	2.5	64	23
2F3N64M4	12.5	480	2.5	64	23
2F3N77M2	15.0	240	2.5	77	25
2F3N77M4	15.0	480	2.5	77	25
2F3N88M4	16.8	480	2.5	88	27
2F3N106M4	18.9	480	2.5	106	30
2F3N120M4	23.4	480	2.5	120	33
2F3N140M4	26.0	480	2.5	140	36
2F3N160M4	30.0	480	2.5	160	40
3F3N13M1	2.2	120	3	13	17
3F3N13M2	2.2	240	3	13	17
3F3N13M4	2.2	480	3	13	17
3F3N18M2	3.0	240	3	18	18
3F3N18M4	3.0	480	3	18	18
3F3N20M2	3.8	240	3	20	19
3F3N20M4	3.8	480	3	20	19
3F3N25M2	4.5	240	3	25	20
3F3N25M4	4.5	480	3	25	20
3F3N33M2	6.0	240	3	33	21
3F3N33M4	6.0	480	3	33	21
3F3N40M2	7.5	240	3	40	22
3F3N40M4	7.5	480	3	40	22
3F3N48M2	9.0	240	3	48	24
3F3N48M4	9.0	480	3	48	24
3F3N52M2	10.0	240	3	52	24
3F3N52M4	10.0	480	3	52	24
3F3N64M2	12.5	240	3	64	27
3F3N64M4	12.5	480	3	64	27
3F3N77M2	15.0	240	3	77	29
3F3N77M4	15.0	480	3	77	29
3F3N88M4	17.0	480	3	88	31
3F3N106M4	19.0	480	3	106	34

Flanged Heaters

Type IF

WattDensity: 23

Gaumer Catalog Number	kW	Voltage (3 Ph)	Flange Size (Inches)	Immersed Length (in.)	Weight (lbs.)
3F3N120M4	24.0	480	3	120	37
3F3N140M4	26.0	480	3	140	40
3F3N160M4	30.0	480	3	160	44
3F3N180M4	34.0	480	3	180	47
4F6N18M2	6.0	240	4	18	32
4F6N18M4	6.0	480	4	18	32
4F6N20M2	7.5	240	4	20	33
4F6N20M4	7.5	480	4	20	33
4F6N25M2	9.0	240	4	25	35
4F6N25M4	9.0	480	4	25	35
4F6N33M2	12.0	240	4	33	38
4F6N33M4	12.0	480	4	33	38
4F6N40M2	15.0	240	4	40	40
4F6N40M4	15.0	480	4	40	40
4F6N48M2	18.0	240	4	48	43
4F6N48M4	18.0	480	4	48	43
4F6N52M2	20.0	240	4	52	45
4F6N52M4	20.0	480	4	52	45
4F6N64M2	25.0	240	4	64	50
4F6N64M4	25.0	480	4	64	50
4F6N77M2	30.0	240	4	77	54
4F6N77M4	30.0	480	4	77	54
4F6N88M4	34.0	480	4	88	58
4F6N106M4	38.0	480	4	106	64
4F6N120M4	47.0	480	4	120	69
4F6N140M4	53.0	480	4	140	76
4F6N160M4	60.0	480	4	160	84
4F6N180M4	68.0	480	4	180	91
5F6N18M2	6.0	240	5	18	38
5F6N18M4	6.0	480	5	18	38
5F6N20M2	7.5	240	5	20	39
5F6N20M4	7.5	480	5	20	39
5F6N25M2	9.0	240	5	25	41
5F6N25M4	9.0	480	5	25	41
5F6N33M2	12.0	240	5	33	44
5F6N33M4	12.0	480	5	33	44
5F6N40M2	15.0	240	5	40	46
5F6N40M4	15.0	480	5	40	46
5F6N48M2	18.0	240	5	48	49
5F6N48M4	18.0	480	5	48	49
5F6N52M2	20.0	240	5	52	51
5F6N52M4	20.0	480	5	52	51
5F6N64M2	25.0	240	5	64	56
5F6N64M4	25.0	480	5	64	56
5F6N77M2	30.0	240	5	77	60
5F6N77M4	30.0	480	5	77	60
5F6N88M4	34.0	480	5	88	64
5F6N106M4	38.0	480	5	106	70
5F6N120M4	47.0	480	5	120	75

Flanged Heaters

Type IF

WattDensity: 23

Gaumer Catalog Number	kW	Voltage (3 Ph)	Flange Size (Inches)	Immersed Length (in.)	Weight (lbs.)
5F6N140M4	53.0	480	5	140	82
5F6N160M4	60.0	480	5	160	90
5F6N180M4	68.0	480	5	180	97
5F9N18M2	9.0	240	5	18	41
5F9N18M4	9.0	480	5	18	42
5F9N20M2	11.3	240	5	20	43
5F9N20M4	11.3	480	5	20	43
5F9N25M2	14.0	240	5	25	46
5F9N25M4	14.0	480	5	25	46
5F9N33M2	18.0	240	5	33	50
5F9N33M4	18.0	480	5	33	50
5F9N40M2	23.0	240	5	40	54
5F9N40M4	23.0	480	5	40	54
5F9N48M2	27.0	240	5	48	58
5F9N48M4	27.0	480	5	48	58
5F9N52M2	30.0	240	5	52	60
5F9N52M4	30.0	480	5	52	60
5F9N64M2	38.0	240	5	64	68
5F9N64M4	38.0	480	5	64	68
5F9N77M2	45.0	240	5	77	74
5F9N77M4	45.0	480	5	77	74
5F9N88M4	50.0	480	5	88	80
5F9N106M4	57.0	480	5	106	90
5F9N120M4	70.0	480	5	120	97
5F9N140M4	79.0	480	5	140	108
5F9N160M4	91.0	480	5	160	118
5F9N180M4	101.0	480	5	180	129
6F12N18M2	12.0	240	6	18	55
6F12N18M4	12.0	480	6	18	56
6F12N20M2	15.0	240	6	20	57
6F12N20M4	15.0	480	6	20	57
6F12N25M2	18.0	240	6	25	61
6F12N25M4	18.0	480	6	25	61
6F12N33M2	24.0	240	6	33	67
6F12N33M4	24.0	480	6	33	67
6F12N40M2	30.0	240	6	40	72
6F12N40M4	30.0	480	6	40	72
6F12N48M2	36.0	240	6	48	78
6F12N48M4	36.0	480	6	48	78
6F12N52M2	40.0	240	6	52	80
6F12N52M4	40.0	480	6	52	80
6F12N64M2	50.0	240	6	64	91
6F12N64M4	50.0	480	6	64	91
6F12N77M2	60.0	240	6	77	98
6F12N77M4	60.0	480	6	77	98
6F12N88M4	67.0	480	6	88	106
6F12N106M4	76.0	480	6	106	120
6F12N120M4	94.0	480	6	120	129
6F12N140M4	105.0	480	6	140	144

Flanged Heaters

Type IF

WattDensity: 23

Gaumer Catalog Number	kW	Voltage (3 Ph)	Flange Size (Inches)	Immersed Length (in.)	Weight (lbs.)
6F12N160M4	121.0	480	6	160	158
6F12N180M4	135.0	480	6	180	173
6F15N18M2	15.0	240	6	18	58
6F15N18M4	15.0	480	6	18	59
6F15N20M2	19.0	240	6	20	61
6F15N20M4	19.0	480	6	20	61
6F15N25M2	23.0	240	6	25	66
6F15N25M4	23.0	480	6	25	66
6F15N33M2	30.0	240	6	33	73
6F15N33M4	30.0	480	6	33	73
6F15N40M2	38.0	240	6	40	79
6F15N40M4	38.0	480	6	40	79
6F15N48M2	45.0	240	6	48	86
6F15N48M4	45.0	480	6	48	86
6F15N52M2	50.0	240	6	52	90
6F15N52M4	50.0	480	6	52	90
6F15N64M2	63.0	240	6	64	103
6F15N64M4	63.0	480	6	64	103
6F15N77M2	75.0	240	6	77	112
6F15N77M4	75.0	480	6	77	112
6F15N88M4	84.0	480	6	88	122
6F15N106M4	95.0	480	6	106	139
6F15N120M4	117.0	480	6	120	151
6F15N140M4	131.0	480	6	140	169
6F15N160M4	151.0	480	6	160	187
6F15N180M4	169.0	480	6	180	205
8F18N18M2	18.0	240	8	18	88
8F18N18M4	18.0	480	8	18	89
8F18N20M2	23.0	240	8	20	92
8F18N20M4	23.0	480	8	20	92
8F18N25M2	27.0	240	8	25	97
8F18N25M4	27.0	480	8	25	97
8F18N33M2	36.0	240	8	33	106
8F18N33M4	36.0	480	8	33	106
8F18N40M2	45.0	240	8	40	113
8F18N40M4	45.0	480	8	40	113
8F18N48M2	54.0	240	8	48	122
8F18N48M4	54.0	480	8	48	122
8F18N52M2	60.0	240	8	52	126
8F18N52M4	60.0	480	8	52	126
8F18N64M2	77.0	240	8	64	142
8F18N64M4	77.0	480	8	64	142
8F18N77M2	90.0	240	8	77	153
8F18N77M4	90.0	480	8	77	153
8F18N88M4	101.0	480	8	88	165
8F18N106M4	114.0	480	8	106	185
8F18N120M4	140.0	480	8	120	200
8F18N140M4	157.0	480	8	140	221
8F18N160M4	181.0	480	8	160	243

Flanged Heaters

Type IF

WattDensity: 23

Gaumer Catalog Number	kW	Voltage (3 Ph)	Flange Size (Inches)	Immersed Length (in.)	Weight (lbs.)
8F18N180M4	203.0	480	8	180	264
8F24N18M2	24.0	240	8	18	94
8F24N18M4	24.0	480	8	18	96
8F24N20M2	30.0	240	8	20	99
8F24N20M4	30.0	480	8	20	99
8F24N25M2	36.0	240	8	25	106
8F24N25M4	36.0	480	8	25	106
8F24N33M2	48.0	240	8	33	118
8F24N33M4	48.0	480	8	33	118
8F24N40M2	60.0	240	8	40	128
8F24N40M4	60.0	480	8	40	128
8F24N48M2	72.0	240	8	48	139
8F24N48M4	72.0	480	8	48	139
8F24N52M2	80.0	240	8	52	145
8F24N52M4	80.0	480	8	52	145
8F24N64M2	102.0	240	8	64	166
8F24N64M4	102.0	480	8	64	166
8F24N77M2	120.0	240	8	77	181
8F24N77M4	120.0	480	8	77	181
8F24N88M4	135.0	480	8	88	197
8F24N106M4	151.0	480	8	106	224
8F24N120M4	188.0	480	8	120	243
8F24N140M4	210.0	480	8	140	272
8F24N160M4	242.0	480	8	160	300
8F24N180M4	270.0	480	8	180	329
10F27N18M4	27.0	480	10	18	129
10F27N20M4	34.0	480	10	20	132
10F27N25M4	40.0	480	10	25	141
10F27N33M4	54.0	480	10	33	153
10F27N40M4	68.0	480	10	40	165
10F27N48M4	81.0	480	10	48	178
10F27N52M4	90.0	480	10	52	184
10F27N64M4	115.0	480	10	64	208
10F27N77M4	135.0	480	10	77	225
10F27N88M4	151.0	480	10	88	243
10F27N106M4	170.0	480	10	106	273
10F27N120M4	210.0	480	10	120	294
10F36N18M4	36.0	480	10	18	139
10F36N20M4	45.0	480	10	20	143
10F36N25M4	54.0	480	10	25	154
10F36N33M4	72.0	480	10	33	171
10F36N40M4	90.0	480	10	40	186
10F36N48M4	108.0	480	10	48	204
10F36N52M4	120.0	480	10	52	212
10F36N64M4	153.0	480	10	64	244
10F36N77M4	180.0	480	10	77	266
10F36N88M4	202.0	480	10	88	290
10F36N106M4	227.0	480	10	106	330
10F36N120M4	281.0	480	10	120	359

Flanged Heaters

Type IF

WattDensity: 23

Gaumer Catalog Number	kW	Voltage (3 Ph)	Flange Size (Inches)	Immersed Length (in.)	Weight (lbs.)
10F36N140M4	315.0	480	10	140	402
10F36N160M4	362.0	480	10	160	446
10F36N180M4	811.0	480	10	180	489
12F36N18M4	36.0	480	12	18	202
12F36N20M4	45.0	480	12	20	206
12F36N25M4	54.0	480	12	25	217
12F36N33M4	72.0	480	12	33	234
12F36N40M4	90.0	480	12	40	249
12F36N48M4	108.0	480	12	48	267
12F36N52M4	120.0	480	12	52	275
12F36N64M4	153.0	480	12	64	307
12F36N77M4	180.0	480	12	77	329
12F36N88M4	202.0	480	12	88	353
12F36N106M4	227.0	480	12	106	393
12F36N120M4	280.0	480	12	120	422
12F36N140M4	315.0	480	12	140	465
12F36N160M4	362.0	480	12	160	509
12F36N180M4	405.0	480	12	180	552
12F48N18M4	48.0	480	12	18	215
12F48N20M4	60.0	480	12	20	221
12F48N25M4	72.0	480	12	25	235
12F48N33M4	96.0	480	12	33	258
12F48N40M4	120.0	480	12	40	278
12F48N48M4	144.0	480	12	48	301
12F48N52M4	160.0	480	12	52	313
12F48N64M4	204.0	480	12	64	355
12F48N77M4	240.0	480	12	77	385
12F48N88M4	268.0	480	12	88	416
12F48N106M4	303.0	480	12	106	470
12F48N120M4	375.0	480	12	120	509
12F48N140M4	414.0	480	12	140	566
12F48N160M4	476.0	480	12	160	624
12F48N180M4	540.0	480	12	180	681
14F48N140M4	420.0	480	14	140	605
14F48N160M4	483.0	480	14	160	655
14F48N180M4	540.0	480	14	180	705
14F54N40M4	135.0	480	14	40	313
14F54N52M4	180.0	480	14	52	351
14F54N64M4	230.0	480	14	64	399
14F54N77M4	270.0	480	14	77	432
14F54N88M4	303.0	480	14	88	468
14F54N106M4	340.0	480	14	106	529
14F54N120M4	421.0	480	14	120	572
14F54N140M4	473.0	480	14	140	637
14F54N160M4	542.0	480	14	160	701
14F54N180M4	608.0	480	14	180	766
14F60N40M4	150.0	480	14	40	327
14F60N52M4	200.0	480	14	52	370
14F60N64M4	255.0	480	14	64	423

Flanged Heaters

Type IF

WattDensity: 23

Gaumer Catalog Number	kW	Voltage (3 Ph)	Flange Size (Inches)	Immersed Length (in.)	Weight (lbs.)
14F60N77M4	300.0	480	14	77	460
14F60N88M4	336.0	480	14	88	500
14F60N106M4	378.0	480	14	106	567
14F60N120M4	468.0	480	14	120	615
14F60N140M4	525.0	480	14	140	687
14F60N160M4	603.0	480	14	160	759
14F60N180M4	675.0	480	14	180	831
14F72N40M4	180.0	480	14	40	356
14F72N52M4	240.0	480	14	52	408
14F72N64M4	306.0	480	14	64	471
14F72N77M4	360.0	480	14	77	516
14F72N88M4	403.0	480	14	88	563
14F72N106M4	454.0	480	14	106	644
14F72N120M4	562.0	480	14	120	701
14F72N140M4	630.0	480	14	140	788
14F72N160M4	724.0	480	14	160	874
14F72N180M4	810.0	480	14	180	961
16F84N140M4	735.0	480	16	140	943
16F84N160M4	844.0	480	16	160	1043
16F84N180M4	945.0	480	16	180	1144
18F108N140M4	945.0	480	18	140	1190
18F108N160M4	1086.0	480	18	160	1320
18F108N180M4	1215.0	480	18	180	1449
20F144N140M4	1260.0	480	20	140	1577
20F144N160M4	1447.0	480	20	160	1749
20F144N180M4	1620.0	480	20	180	1922
24F192N140M4	1680.0	480	24	140	2138
24F192N160M4	1930.0	480	24	160	2368
24F192N180M4	2160.0	480	24	180	2599

WattDensity: 20

Gaumer Catalog Number	kW	Voltage (3 Ph)	Flange Size (Inches)	Immersed Length (in.)	Weight (lbs.)
2F3N18B2Y	2.7	240	2.5	18	14
2F3N18B4Y	2.7	480	2.5	18	14
2F3N20B2Y	2.9	240	2.5	20	15
2F3N20B4Y	2.9	480	2.5	20	15
2F3N25B2Y	4.0	240	2.5	25	16
2F3N25B4Y	4.0	480	2.5	25	16
2F3N33B2Y	5.0	240	2.5	33	17
2F3N33B4Y	5.0	480	2.5	33	17
2F3N43B2Y	7.0	240	2.5	43	17
2F3N43B4Y	7.0	480	2.5	43	19
2F3N52B2Y	8.3	240	2.5	52	19
2F3N52B4Y	8.3	480	2.5	52	20
2F3N61B2Y	10.0	240	2.5	61	22
2F3N61B4Y	10.0	480	2.5	61	22
2F3N88B4Y	14.8	480	2.5	88	27
2F3N106B4Y	16.7	480	2.5	106	30
2F3N120B4Y	19.0	480	2.5	120	33

Flanged Heaters

Type IF

WattDensity: 20

Gaumer Catalog Number	kW	Voltage (3 Ph)	Flange Size (Inches)	Immersed Length (in.)	Weight (lbs.)
3F3N18B2Y	2.7	240	3	18	18
3F3N18B4Y	2.7	480	3	18	18
3F3N20B2Y	3.3	240	3	20	19
3F3N20B4Y	3.3	480	3	20	19
3F3N25B2Y	4.0	240	3	25	20
3F3N25B4Y	4.0	480	3	25	20
3F3N33B2Y	5.0	240	3	33	21
3F3N33B4Y	5.0	480	3	33	21
3F3N43B2Y	6.7	240	3	43	21
3F3N43B4Y	6.7	480	3	43	23
3F3N52B2Y	8.3	240	3	52	23
3F3N52B4Y	8.3	480	3	52	24
3F3N61B2Y	10.0	240	3	61	26
3F3N61B4Y	10.0	480	3	61	26
3F3N88B4Y	15.0	480	3	88	31
3F3N106B4Y	17.0	480	3	106	34
3F3N120B4Y	19.0	480	3	120	37
4F6N18B2Y	5.3	240	4	18	32
4F6N18B4Y	5.3	480	4	18	32
4F6N20B2Y	6.7	240	4	20	33
4F6N20B4Y	6.7	480	4	20	33
4F6N25B2Y	8.0	240	4	25	35
4F6N25B4Y	8.0	480	4	25	35
4F6N33B2Y	10.0	240	4	33	38
4F6N33B4Y	10.0	480	4	33	38
4F6N43B2Y	13.0	240	4	43	38
4F6N43B4Y	13.0	480	4	43	41
4F6N52B2Y	17.0	240	4	52	43
4F6N52B4Y	17.0	480	4	52	45
4F6N61B2Y	20.0	240	4	61	48
4F6N61B4Y	20.0	480	4	61	48
4F6N88B4Y	30.0	480	4	88	58
4F6N106B4Y	33.0	480	4	106	64
4F6N120B4Y	38.0	480	4	120	69
5F6N18B2Y	5.3	240	5	18	38
5F6N18B4Y	5.3	480	5	18	38
5F6N20B2Y	6.7	240	5	20	39
5F6N20B4Y	6.7	480	5	20	39
5F6N25B2Y	8.0	240	5	25	41
5F6N25B4Y	8.0	480	5	25	41
5F6N33B2Y	10.0	240	5	33	44
5F6N33B4Y	10.0	480	5	33	44
5F6N43B2Y	13.0	240	5	43	44
5F6N43B4Y	13.0	480	5	43	47
5F6N52B2Y	17.0	240	5	52	49
5F6N52B4Y	17.0	480	5	52	51
5F6N61B2Y	20.0	240	5	61	54
5F6N61B4Y	20.0	480	5	61	54
5F6N88B4Y	30.0	480	5	88	64

Flanged Heaters

Type IF

WattDensity: 20

Gaumer Catalog Number	kW	Voltage (3 Ph)	Flange Size (Inches)	Immersed Length (in.)	Weight (lbs.)
5F6N106B4Y	33.0	480	5	106	70
5F6N120B4Y	38.0	480	5	120	75
5F9N18B2Y	8.0	240	5	18	42
5F9N18B4Y	8.0	480	5	18	42
5F9N20B2Y	10.0	240	5	20	43
5F9N20B4Y	10.0	480	5	20	43
5F9N25B2Y	12.0	240	5	25	46
5F9N25B4Y	12.0	480	5	25	46
5F9N33B2Y	15.0	240	5	33	49
5F9N33B4Y	15.0	480	5	33	50
5F9N43B2Y	20.0	240	5	43	50
5F9N43B4Y	20.0	480	5	43	55
5F9N52B2Y	25.0	240	5	52	57
5F9N52B4Y	25.0	480	5	52	60
5F9N61B2Y	30.0	240	5	61	65
5F9N61B4Y	30.0	480	5	61	65
5F9N88B4Y	45.0	480	5	88	80
5F9N106B4Y	50.0	480	5	106	90
5F9N120B4Y	57.0	480	5	120	97
6F12N18B2Y	10.7	240	6	18	56
6F12N18B4Y	10.7	480	6	18	56
6F12N20B2Y	13.0	240	6	20	57
6F12N20B4Y	13.0	480	6	20	57
6F12N25B2Y	16.0	240	6	25	61
6F12N25B4Y	16.0	480	6	25	61
6F12N33B2Y	20.0	240	6	33	66
6F12N33B4Y	20.0	480	6	33	67
6F12N43B2Y	27.0	240	6	43	67
6F12N43B4Y	27.0	480	6	43	74
6F12N52B2Y	33.0	240	6	52	77
6F12N52B4Y	33.0	480	6	52	80
6F12N61B2Y	40.0	240	6	61	87
6F12N61B4Y	40.0	480	6	61	87
6F12N88B4Y	59.0	480	6	88	106
6F12N106B4Y	67.0	480	6	106	120
6F12N120B4Y	76.0	480	6	120	129
6F15N18B2Y	13.0	240	6	18	59
6F15N18B4Y	13.0	480	6	18	59
6F15N20B2Y	17.0	240	6	20	61
6F15N20B4Y	17.0	480	6	20	61
6F15N25B2Y	20.0	240	6	25	66
6F15N25B4Y	20.0	480	6	25	66
6F15N33B2Y	25.0	240	6	33	72
6F15N33B4Y	25.0	480	6	33	73
6F15N43B2Y	33.0	240	6	43	73
6F15N43B4Y	33.0	480	6	43	82
6F15N52B2Y	42.0	240	6	52	85
6F15N52B4Y	42.0	480	6	52	90
6F15N61B2Y	50.0	240	6	61	98

Flanged Heaters

Type IF

WattDensity: 20

Gaumer Catalog Number	kW	Voltage (3 Ph)	Flange Size (Inches)	Immersed Length (in.)	Weight (lbs.)
6F15N61B4Y	50.0	480	6	61	98
6F15N88B4Y	74.0	480	6	88	122
6F15N106B4Y	84.0	480	6	106	139
6F15N120B4Y	95.0	480	6	120	151
8F18N18B2Y	16.0	240	8	18	89
8F18N18B4Y	16.0	480	8	18	89
8F18N20B2Y	20.0	240	8	20	92
8F18N20B4Y	20.0	480	8	20	92
8F18N25B2Y	24.0	240	8	25	97
8F18N25B4Y	24.0	480	8	25	97
8F18N33B2Y	30.0	240	8	33	105
8F18N33B4Y	30.0	480	8	33	106
8F18N43B2Y	40.0	240	8	43	106
8F18N43B4Y	40.0	480	8	43	116
8F18N52B2Y	50.0	240	8	52	121
8F18N52B4Y	50.0	480	8	52	126
8F18N61B2Y	60.0	240	8	61	136
8F18N61B4Y	60.0	480	8	61	136
8F18N88B4Y	89.0	480	8	88	165
8F18N106B4Y	100.0	480	8	106	185
8F18N120B4Y	114.0	480	8	120	200
8F24N18B2Y	22.0	240	8	18	96
8F24N18B4Y	22.0	480	8	18	96
8F24N20B2Y	27.0	240	8	20	99
8F24N20B4Y	27.0	480	8	20	99
8F24N25B2Y	32.0	240	8	25	106
8F24N25B4Y	32.0	480	8	25	106
8F24N33B2Y	40.0	240	8	33	116
8F24N33B4Y	40.0	480	8	33	118
8F24N43B2Y	53.0	240	8	43	118
8F24N43B4Y	53.0	480	8	43	132
8F24N52B2Y	67.0	240	8	52	138
8F24N52B4Y	67.0	480	8	52	145
8F24N61B2Y	80.0	240	8	61	158
8F24N61B4Y	80.0	480	8	61	158
8F24N88B4Y	118.0	480	8	88	197
8F24N106B4Y	133.0	480	8	106	224
8F24N120B4Y	151.0	480	8	120	243
10F27N52B4Y	75.0	480	10	52	184
10F27N61B4Y	90.0	480	10	61	199
10F27N88B4Y	133.0	480	10	88	243
10F27N106B4Y	151.0	480	10	106	273
10F27N120B4Y	171.0	480	10	120	294
10F30N33B4Y	50.0	480	10	33	171
10F30N43B4Y	67.0	480	10	43	193
10F30N52B4Y	83.0	480	10	52	212
10F30N61B4Y	100.0	480	10	61	215
10F30N88B4Y	148.0	480	10	88	260
10F30N106B4Y	167.0	480	10	106	300

Flanged Heaters

Type IF

WattDensity: 20

Gaumer Catalog Number	kW	Voltage (3 Ph)	Flange Size (Inches)	Immersed Length (in.)	Weight (lbs.)
10F30N120B4Y	190.0	480	10	120	330
10F36N33B4Y	60.0	480	10	33	171
10F36N43B4Y	80.0	480	10	43	193
10F36N52B4Y	100.0	480	10	52	212
10F36N61B4Y	120.0	480	10	61	232
10F36N88B4Y	178.0	480	10	88	290
10F36N106B4Y	200.0	480	10	106	330
10F36N120B4Y	228.0	480	10	120	359
12F36N52B4Y	100.0	480	12	52	275
12F36N61B4Y	120.0	480	12	61	295
12F36N88B4Y	178.0	480	12	88	353
12F36N106B4Y	200.0	480	12	106	393
12F36N120B4Y	228.0	480	12	120	422
12F48N33B4Y	80.0	480	12	33	258
12F48N43B4Y	107.0	480	12	43	287
12F48N52B4Y	133.0	480	12	52	313
12F48N61B4Y	160.0	480	12	61	339
12F48N88B4Y	237.0	480	12	88	416
12F48N106B4Y	267.0	480	12	106	470
12F48N120B4Y	304.0	480	12	120	509
14F48N52B4Y	133.0	480	14	52	340
14F48N61B4Y	160.0	480	14	61	360
14F48N88B4Y	237.0	480	14	88	435
14F48N106B4Y	268.0	480	14	106	505
14F48N120B4Y	304.0	480	14	120	535
14F54N33B4Y	90.0	480	14	33	290
14F54N43B4Y	120.0	480	14	43	290
14F54N52B4Y	150.0	480	14	52	351
14F54N61B4Y	180.0	480	14	61	381
14F54N88B4Y	266.0	480	14	88	468
14F54N106B4Y	300.0	480	14	106	529
14F54N120B4Y	341.0	480	14	120	572
14F60N33B4Y	100.0	480	14	33	302
14F60N43B4Y	133.0	480	14	43	338
14F60N52B4Y	167.0	480	14	52	370
14F60N61B4Y	200.0	480	14	61	403
14F60N88B4Y	296.0	480	14	88	500
14F60N106B4Y	334.0	480	14	106	567
14F60N120B4Y	380.0	480	14	120	615
14F72N33B4Y	120.0	480	14	33	326
14F72N43B4Y	160.0	480	14	43	369
14F72N52B4Y	200.0	480	14	52	408
14F72N61B4Y	240.0	480	14	61	447
14F72N88B4Y	355.0	480	14	88	563
14F72N106B4Y	401.0	480	14	106	644
14F72N120B4Y	456.0	480	14	120	701

Flanged Heaters - Type IF

Rated 15/12 watts/sq.in.

APPLICATIONS

90 Watts Per Square Inch

For heating clean water only in commercial and/or residential applications. Element life is sacrificed in favor of a low initial heater cost.

60 and 45 Watts Per Square Inch

Industrial water heating - many aqueous solutions which are compatible with steel and Incoloy.

23 and 20 Watts Per Square Inch

For heat transfer oil, cleaners, high temperature air and gas heating.

15 and 12 Watts Per Square Inch

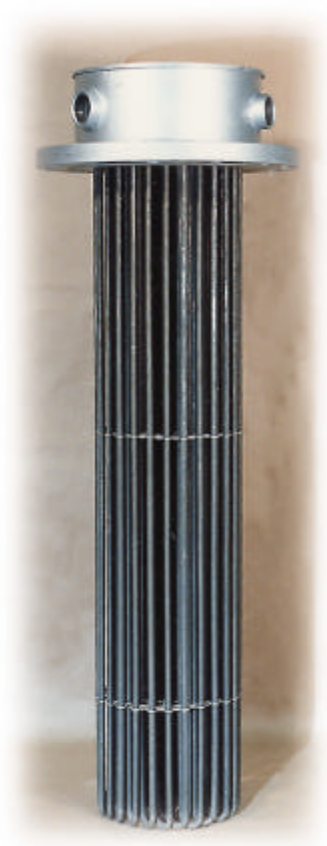
For lubricating oils, medium viscosity oils, high temperature air and gas heating.

8 and 6 Watts Per Square Inch

For #5 and #6 fuel oil heating, viscous materials, raw crude oil, residual oils, high temperature air and gas heating.

4 and 2 Watts Per Square Inch

For asphalt and other hard-to-heat substances, extra high temperature air and gas.



STANDARD FEATURES

Heating Elements

- Incoloy 800 Sheath Material
- Heavy Wall (.035 in.)
- Large diameter (.475 in.)
- Sealed Terminals

Spacers

- High Temp Alloy Material
- Rugged Design
- "Evenflow" Configuration

Construction

- Welded Heating Elements
- Welded Terminal Housing
- Welded Spacers

Installation

- Flying Leadwires Provided
- Only Standard Materials Needed in Field

Service

- Wiring Modifiable in Field
- Assembly Repairable at Factory

SPECIAL FEATURES

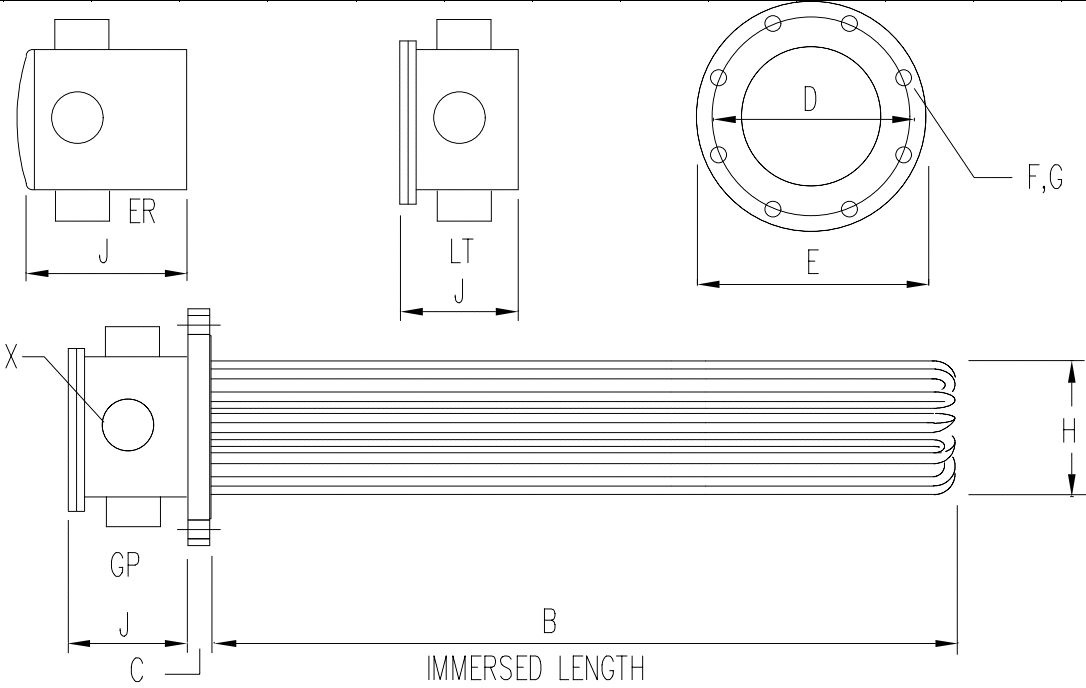
- ER Explosion Resistant Terminal Enclosure
- LT Moisture Resistant Terminal Enclosure
- J(K) Sheath Sensing Thermocouple attached to one element for overheat protection.
- S Stainless Steel Flange - Type 304
- SS Stainless Steel Flange - Type 316
- SpHtr Space Heater Mounted in Terminal Enclosure
- OSTHsg Offset (Spaced Away) Terminal Housing
- XX Special Feature not Listed Above
- 3(?)-(P/N) 300(?)# ANSI Flange

Flanged Heaters

Type IF

**Gaumer Drawing No. IF-200
(Dimension Flange Heater Detail)**

Flange Size	Pressur Class	Flange Dimensions (inches)			Hole Size	No. of Holes	Min. Hole Diam.	Housing Height (inches)			X - No and Size Conduit Connection		
		C Thick	D Diam:	E Diam:				F	G	H	J GP:	J ER:	J LT:
2-1/2	150	7/8	5-1/2	7	3/4	4	2-1/4	2-5/8	5-1/2	2-5/8	1@1	2@1-1/4	1@1
2-1/2	300	1	5-7/8	7-1/2	7/8	8	2-1/4	2-5/8	5-1/2	2-5/8	1@1	2@1-1/4	1@1
3	150	0-15/16	6	7-1/2	3/4	4	2-3/4	2-5/8	5-1/2	2-5/8	1@1	2@1-1/4	1@1
3	300	1-1/8	6-5/8	8-1/4	7/8	8	2-3/4	2-5/8	5-1/2	2-5/8	1@1	2@1-1/4	1@1
4	150	0-15/16	7-1/2	9	3/4	8	3-13/16	5-1/2	6-1/2	5-1/2	4@1-1/2	2@1-1/2	4@1-1/2
4	300	1-1/4	7-7/8	10	7/8	8	3-13/16	5-1/2	6-1/2	5-1/2	4@1-1/2	2@1-1/2	4@1-1/2
5	150	0-15/16	8-1/2	10	7/8	8	4-13/16	5-1/2	6-1/2	5-1/2	4@1-1/2	2@1-1/2	4@1-1/2
5	300	1-3/8	9-1/4	11	7/8	8	4-13/16	5-1/2	6-1/2	5-1/2	4@1-1/2	2@1-1/2	4@1-1/2
6	150	1	9-1/2	11	7/8	8	5-3/4	5-1/2	8	5-1/2	4@1-1/2	4@1-1/2	4@1-1/2
6	300	1-7/16	10-5/8	12-1/2	7/8	12	5-3/4	5-1/2	8	5-1/2	4@1-1/2	4@1-1/2	4@1-1/2
8	150	1-1/8	11-3/4	13-1/2	7/8	8	7-13/16	5-1/2	9	5-1/2	4@1-1/2	4@1-1/2	4@1-1/2
8	300	1-5/8	13	15	1	12	7-13/16	5-1/2	9	5-1/2	4@1-1/2	4@1-1/2	4@1-1/2
10	150	1-3/16	14-1/4	16	1	12	9-5/8	7	11	7	4@2	4@2	4@2
10	300	1-7/8	15-1/4	17-1/2	1-1/8	16	9-5/8	7	11	7	4@2	4@2	4@2
12	150	1-1/4	17	19	1	12	11-5/8	7	11	7	4@2	4@2	4@2
12	300	2	17-3/4	20-1/2	1-1/4	16	11-5/8	7	11	7	4@2	4@2	4@2
14	150	1-3/8	18-3/4	21	1-1/8	12	12-1/2	7	11	7	4@2	4@2	4@2
14	300	2-1/8	20-1/4	23	1-1/4	20	12-1/2	7	11	7	4@2	4@2	4@2
16	150	1-7/16	21-1/4	23-1/2	1-1/8	16	14-1/2	9	13	9	4@2	4@2	4@2
16	300	2-1/4	22-1/2	25-1/2	1-3/8	20	14-1/2	9	13	9	4@2	4@2	4@2
18	150	1-9/16	22-3/4	25	1-1/4	16	16-3/8	9	13	9	4@2	4@2	4@2
18	300	2-3/8	24-3/4	28	1-3/8	24	16-3/8	9	13	9	4@2	4@2	4@2
20	150	1-11/16	25	27-1/2	1-1/4	20	18-5/16	9	13	9	4@2	4@2	4@2
20	300	2-1/2	27	30-1/2	1-3/8	24	18-5/16	9	13	9	4@2	4@2	4@2
24	150	1-7/8	29-1/2	32	1-3/8	20	22-1/8	11	15	11	6@2	6@2	6@2
24	300	2-3/4	32	36	1-5/8	24	22-1/8	11	15	11	6@2	6@2	6@2



Flanged Heaters

Type IF

WattDensity: 15

Gaumer Catalog Number	kW	Voltage (3 Ph)	Flange Size (Inches)	Immersed Length (in.)	Weight (lbs.)
2F3N13H2Y	1.5	240	2.5	13	13
2F3N13H4Y	1.5	480	2.5	13	13
2F3N18B2D	2.0	120	2.5	18	14
2F3N18H2Y	2.0	240	2.5	18	14
2F3N18B4D	2.0	240	2.5	18	14
2F3N18H4Y	2.0	480	2.5	18	14
2F3N20B2D	2.2	120	2.5	20	15
2F3N20B4D	2.2	240	2.5	20	15
2F3N20H2Y	2.5	240	2.5	20	15
2F3N20H4Y	2.5	480	2.5	20	15
2F3N25B2D	3.0	120	2.5	25	16
2F3N25B4D	3.0	240	2.5	25	16
2F3N25H2Y	3.0	240	2.5	25	16
2F3N25H4Y	3.0	480	2.5	25	16
2F3N33B2D	3.8	120	2.5	33	17
2F3N33B4D	3.8	240	2.5	33	17
2F3N33H2Y	4.0	240	2.5	33	17
2F3N33H4Y	4.0	480	2.5	33	17
2F3N43B4D	5.0	240	2.5	40	19
2F3N40H2Y	5.0	240	2.5	40	23
2F3N40H4Y	5.0	480	2.5	40	18
2F3N48H2Y	6.0	240	2.5	48	20
2F3N48H4Y	6.0	480	2.5	48	19
2F3N52B4D	6.2	240	2.5	52	20
2F3N61B4D	7.5	240	2.5	61	22
2F3N61H2Y	8.3	240	2.5	61	22
2F3N61H4Y	8.3	480	2.5	61	22
2F3N78H2Y	11.1	240	2.5	78	25
2F3N78H4Y	11.1	480	2.5	78	25
2F3N88B4D	11.1	240	2.5	88	27
2F3N88H4Y	12.5	480	2.5	88	27
2F3N106B4D	12.6	240	2.5	106	30
2F3N120B4D	14.2	240	2.5	120	33
2F3N140H4Y	17.5	480	2.5	140	36
2F3N160H4Y	20.0	480	2.5	160	40
2F3N180H4Y	22.5	480	2.5	180	43
3F3N13H2Y	1.5	240	3	13	17
3F3N13H4Y	1.5	480	3	13	17
3F3N18B2D	2.0	120	3	18	18
3F3N18B4D	2.0	240	3	18	18
3F3N18H2Y	2.0	240	3	18	18
3F3N18H4Y	2.0	480	3	18	18
3F3N20B2D	2.2	120	3	20	19
3F3N20B4D	2.2	240	3	20	19
3F3N20H2Y	2.5	240	3	20	19
3F3N20H4Y	2.5	480	3	20	19
3F3N25B2D	3.0	120	3	25	20
3F3N25H2Y	3.0	240	3	25	20
3F3N25B4D	3.0	240	3	25	20

Flanged Heaters

Type IF

WattDensity: 15

Gaumer Catalog Number	kW	Voltage (3 Ph)	Flange Size (Inches)	Immersed Length (in.)	Weight (lbs.)
3F3N25H4Y	3.0	480	3	25	20
3F3N33B2D	3.8	120	3	33	21
3F3N33B4D	3.8	240	3	33	21
3F3N33H2Y	4.0	240	3	33	21
3F3N33H4Y	4.0	480	3	33	21
3F3N40H2Y	5.0	240	3	40	27
3F3N40H4Y	5.0	480	3	40	22
3F3N43B4D	5.0	240	3	43	23
3F3N48H2Y	6.0	240	3	48	24
3F3N48H4Y	6.0	480	3	48	23
3F3N52B4D	6.3	240	3	52	24
3F3N61B4D	7.5	240	3	61	26
3F3N61H2Y	8.3	240	3	61	26
3F3N61H4Y	8.3	480	3	61	26
3F3N78H2Y	11.1	240	3	78	29
3F3N78H4Y	11.1	480	3	78	29
3F3N88B4D	11.1	240	3	88	31
3F3N88H4Y	12.5	480	3	88	31
3F3N106B4D	12.5	240	3	106	34
3F3N106H4Y	15.0	480	3	106	34
3F3N120B4D	15.0	240	3	120	37
3F3N120H4Y	15.0	480	3	120	37
3F3N140H4Y	18.0	480	3	140	40
3F3N160H4Y	20.0	480	3	160	44
3F3N180H4Y	23.0	480	3	180	47
4F6N13H2Y	3.0	240	4	13	31
4F6N13H4Y	3.0	480	4	13	31
4F6N18H2Y	4.0	240	4	18	32
4F6N18B2S	4.0	240	4	18	32
4F6N18H4Y	4.0	480	4	18	32
4F6N18B4S	4.0	480	4	18	32
4F6N20B2S	5.0	240	4	20	33
4F6N20H2Y	5.0	240	4	20	33
4F6N20B4S	5.0	480	4	20	33
4F6N20H4Y	5.0	480	4	20	33
4F6N25B2S	6.0	240	4	25	35
4F6N25H2Y	6.0	240	4	25	35
4F6N25H4Y	6.0	480	4	25	35
4F6N25B4S	6.0	480	4	25	35
4F6N33B2S	7.5	240	4	33	38
4F6N33B4S	7.5	480	4	33	38
4F6N33H2Y	8.0	240	4	33	38
4F6N33H4Y	8.0	480	4	33	38
4F6N40H2Y	10.0	240	4	40	50
4F6N40H4Y	10.0	480	4	40	40
4F6N43B2S	10.0	240	4	43	38
4F6N43B4S	10.0	480	4	43	41
4F6N48H2Y	12.0	240	4	48	43
4F6N48H4Y	12.0	480	4	48	43

Flanged Heaters

Type IF

WattDensity: 15

Gaumer Catalog Number	kW	Voltage (3 Ph)	Flange Size (Inches)	Immersed Length (in.)	Weight (lbs.)
4F6N52B2S	12.5	240	4	52	43
4F6N52B4S	12.5	480	4	52	45
4F6N61B2S	15.0	240	4	61	48
4F6N61B4S	15.0	480	4	61	48
4F6N61H2Y	17.0	240	4	61	48
4F6N61H4Y	17.0	480	4	61	48
4F6N78H2Y	22.0	240	4	78	54
4F6N78H4Y	22.0	480	4	78	54
4F6N88B4	22.0	240	4	88	58
4F6N88B4S	22.0	480	4	88	58
4F6N88H4Y	25.0	480	4	88	58
4F6N106B4S	25.0	480	4	106	64
4F6N106B4	28.0	240	4	106	64
4F6N106H4Y	28.0	480	4	106	64
4F6N120B4	29.0	240	4	120	69
4F6N120B4S	29.0	480	4	120	69
4F6N120H4Y	30.0	480	4	120	69
4F6N140H4Y	35.0	480	4	140	76
4F6N160H4Y	40.0	480	4	160	84
4F6N180H4Y	45.0	480	4	180	91
5F6N13H2Y	3.0	240	5	13	37
5F6N13H4Y	3.0	480	5	13	37
5F6N18H2Y	4.0	240	5	18	38
5F6N18B2S	4.0	240	5	18	38
5F6N18B4S	4.0	480	5	18	38
5F6N18H4Y	4.0	480	5	18	38
5F6N20H2Y	5.0	240	5	20	39
5F6N20B2S	5.0	240	5	20	39
5F6N20B4S	5.0	480	5	20	39
5F6N20H4Y	5.0	480	5	20	39
5F6N25B2S	6.0	240	5	25	41
5F6N25H2Y	6.0	240	5	25	41
5F6N25H4Y	6.0	480	5	25	41
5F6N25B4S	6.0	480	5	25	41
5F6N33B2S	7.5	240	5	33	44
5F6N33B4S	7.5	480	5	33	44
5F6N33H2Y	8.0	240	5	33	44
5F6N33H4Y	8.0	480	5	33	44
5F6N40H2Y	10.0	240	5	40	56
5F6N40H4Y	10.0	480	5	40	46
5F6N43B2S	10.0	240	5	43	44
5F6N43B4S	10.0	480	5	43	47
5F6N48H2Y	12.0	240	5	48	49
5F6N48H4Y	12.0	480	5	48	49
5F6N52B2S	12.5	240	5	52	49
5F6N52B4S	12.5	480	5	52	51
5F6N61B2S	15.0	240	5	61	54
5F6N61B4S	15.0	480	5	61	54
5F6N61H2Y	17.0	240	5	61	54

Flanged Heaters

Type IF

WattDensity: 15

Gaumer Catalog Number	kW	Voltage (3 Ph)	Flange Size (Inches)	Immersed Length (in.)	Weight (lbs.)
5F6N61H4Y	17.0	480	5	61	54
5F6N78H2Y	22.0	240	5	78	60
5F6N78H4Y	22.0	480	5	78	60
5F6N88B4S	22.0	480	5	88	64
5F6N88H4Y	25.0	480	5	88	64
5F6N106B4D	25.0	240	5	106	70
5F6N106B4S	25.0	480	5	106	70
5F6N106H4Y	28.0	480	5	106	70
5F6N120B4S	29.0	480	5	120	75
5F6N120H4Y	30.0	480	5	120	75
5F6N140H4Y	35.0	480	5	140	82
5F6N160H4Y	40.0	480	5	160	90
5F6N180H4Y	45.0	480	5	180	97
5F9N13H2Y	4.5	240	5	13	39
5F9N13H4Y	4.5	480	5	13	39
5F9N18H2Y	6.0	240	5	18	42
5F9N18H4Y	6.0	480	5	18	42
5F9N20H2Y	7.5	240	5	20	43
5F9N20H4Y	7.5	480	5	20	43
5F9N25H2Y	9.0	240	5	25	46
5F9N25H4Y	9.0	480	5	25	46
5F9N33H2Y	12.0	240	5	33	49
5F9N33H4Y	12.0	480	5	33	50
5F9N40H2Y	15.0	240	5	40	68
5F9N40H4Y	15.0	480	5	40	54
5F9N48H2Y	18.0	240	5	48	58
5F9N48H4Y	18.0	480	5	48	57
5F9N61H2Y	25.0	240	5	61	65
5F9N61H4Y	25.0	480	5	61	65
5F9N78H2Y	33.0	240	5	78	74
5F9N78H4Y	33.0	480	5	78	74
5F9N88H4Y	38.0	480	5	88	80
5F9N106H4Y	42.0	480	5	106	89
5F9N120H4Y	45.0	480	5	120	97
5F9N140H4Y	53.0	480	5	140	108
5F9N160H4Y	60.0	480	5	160	118
5F9N180H4Y	68.0	480	5	180	129
6F12N13H2Y	6.0	240	6	13	52
6F12N13H4Y	6.0	480	6	13	52
6F12N18H2Y	8.0	240	6	18	56
6F12N18B2S	8.0	240	6	18	56
6F12N18H4Y	8.0	480	6	18	56
6F12N18B4S	8.0	480	6	18	56
6F12N20H2Y	10.0	240	6	20	57
6F12N20B2S	10.0	240	6	20	57
6F12N20B4S	10.0	480	6	20	57
6F12N20H4Y	10.0	480	6	20	57
6F12N25H2Y	12.0	240	6	25	61
6F12N25B2S	12.0	240	6	25	61

Flanged Heaters

Type IF

WattDensity: 15

Gaumer Catalog Number	kW	Voltage (3 Ph)	Flange Size (Inches)	Immersed Length (in.)	Weight (lbs.)
6F12N25H4Y	12.0	480	6	25	61
6F12N25B4S	12.0	480	6	25	61
6F12N33B2S	15.0	240	6	33	66
6F12N33B4S	15.0	480	6	33	67
6F12N33H2Y	16.0	240	6	33	66
6F12N33H4Y	16.0	480	6	33	67
6F12N40H2Y	20.0	240	6	40	91
6F12N40H4Y	20.0	480	6	40	72
6F12N43B2S	20.0	240	6	43	67
6F12N43B4S	20.0	480	6	43	74
6F12N48H2Y	24.0	240	6	48	78
6F12N48H4Y	24.0	480	6	48	77
6F12N52B2S	25.0	240	6	52	77
6F12N52B4S	25.0	480	6	52	80
6F12N61B2S	30.0	240	6	61	87
6F12N61B4S	30.0	480	6	61	87
6F12N61H2Y	33.0	240	6	61	87
6F12N61H4Y	33.0	480	6	61	87
6F12N78H2Y	45.0	240	6	78	99
6F12N78H4Y	45.0	480	6	78	99
6F12N88B4D	45.0	240	6	88	106
6F12N88H4Y	50.0	480	6	88	106
6F12N106B4S	50.0	480	6	106	120
6F12N106H4Y	56.0	480	6	106	119
6F12N120B4S	57.0	480	6	120	129
6F12N120H4Y	60.0	480	6	120	129
6F12N140H4Y	70.0	480	6	140	144
6F12N160H4Y	80.0	480	6	160	158
6F12N180H4Y	90.0	480	6	180	173
6F15N13H2Y	7.5	240	6	13	55
6F15N13H4Y	7.5	480	6	13	55
6F15N18H2Y	10.0	240	6	18	59
6F15N18H4Y	10.0	480	6	18	59
6F15N20H2Y	12.5	240	6	20	61
6F15N20H4Y	12.5	480	6	20	61
6F15N25H2Y	15.0	240	6	25	66
6F15N25H4Y	15.0	480	6	25	66
6F15N33H2Y	20.0	240	6	33	72
6F15N33H4Y	20.0	480	6	33	73
6F15N40H2Y	25.0	240	6	40	103
6F15N40H4Y	25.0	480	6	40	79
6F15N48H2Y	30.0	240	6	48	86
6F15N48H4Y	30.0	480	6	48	85
6F15N61H2Y	42.0	240	6	61	98
6F15N61H4Y	42.0	480	6	61	98
6F15N78H2Y	56.0	240	6	78	113
6F15N78H4Y	56.0	480	6	78	113
6F15N88H4Y	63.0	480	6	88	122
6F15N106H4Y	70.0	480	6	106	138

Flanged Heaters

Type IF

WattDensity: 15

Gaumer Catalog Number	kW	Voltage (3 Ph)	Flange Size (Inches)	Immersed Length (in.)	Weight (lbs.)
6F15N120H4Y	75.0	480	6	120	151
6F15N140H4Y	88.0	480	6	140	169
6F15N160H4Y	101.0	480	6	160	187
6F15N180H4Y	113.0	480	6	180	205
8F18N13H2Y	9.0	240	8	13	84
8F18N13H4Y	9.0	480	8	13	84
8F18N18H2Y	12.0	240	8	18	89
8F18N18B2S	12.0	240	8	18	89
8F18N18B4S	12.0	480	8	18	89
8F18N18H4Y	12.0	480	8	18	89
8F18N20H2Y	15.0	240	8	20	92
8F18N20B2S	15.0	240	8	20	92
8F18N20H4Y	15.0	480	8	20	92
8F18N20B4S	15.0	480	8	20	92
8F18N25H2Y	18.0	240	8	25	97
8F18N25B2S	18.0	240	8	25	97
8F18N25H4Y	18.0	480	8	25	97
8F18N25B4S	18.0	480	8	25	97
8F18N33B2S	23.0	240	8	33	105
8F18N33B4S	23.0	480	8	33	106
8F18N33H2Y	24.0	240	8	33	105
8F18N33H4Y	24.0	480	8	33	106
8F18N40H2Y	30.0	240	8	40	142
8F18N40H4Y	30.0	480	8	40	113
8F18N43B2S	30.0	240	8	43	106
8F18N43B4S	30.0	480	8	43	116
8F18N48H2Y	36.0	240	8	48	122
8F18N48H4Y	36.0	480	8	48	121
8F18N52B2S	38.0	240	8	52	121
8F18N52B4S	38.0	480	8	52	126
8F18N61B2S	45.0	240	8	61	136
8F18N61B4S	45.0	480	8	61	136
8F18N61H4Y	50.0	480	8	61	136
8F18N78H4Y	67.0	480	8	78	154
8F18N88B4S	67.0	480	8	88	165
8F18N88H4Y	75.0	480	8	88	165
8F18N106B4	75.0	240	8	106	185
8F18N106B4S	75.0	480	8	106	185
8F18N106H4Y	83.0	480	8	106	184
8F18N120B4S	85.0	480	8	120	200
8F18N120H4Y	90.0	480	8	120	200
8F18N140H4Y	105.0	480	8	140	221
8F18N160H4Y	121.0	480	8	160	243
8F18N180H4Y	135.0	480	8	180	264
8F24N13H2Y	12.0	240	8	13	89
8F24N13H4Y	12.0	480	8	13	89
8F24N18H2Y	16.0	240	8	18	96
8F24N18B2S	16.0	240	8	18	96
8F24N18B4S	16.0	480	8	18	96

Flanged Heaters

Type IF

WattDensity: 15

Gaumer Catalog Number	kW	Voltage (3 Ph)	Flange Size (Inches)	Immersed Length (in.)	Weight (lbs.)
8F24N18H4Y	16.0	480	8	18	96
8F24N20B2S	20.0	240	8	20	99
8F24N20H2Y	20.0	240	8	20	99
8F24N20B4S	20.0	480	8	20	99
8F24N20H4Y	20.0	480	8	20	99
8F24N25H2Y	24.0	240	8	25	106
8F24N25B2S	24.0	240	8	25	106
8F24N25B4S	24.0	480	8	25	106
8F24N25H4Y	24.0	480	8	25	106
8F24N33B2S	30.0	240	8	33	116
8F24N33B4S	30.0	480	8	33	118
8F24N33H2Y	32.0	240	8	33	116
8F24N33H4Y	32.0	480	8	33	118
8F24N40H2Y	40.0	240	8	40	166
8F24N40H4Y	40.0	480	8	40	128
8F24N43B2S	40.0	240	8	43	118
8F24N43B4S	40.0	480	8	43	132
8F24N48H2Y	48.0	240	8	48	139
8F24N48H4Y	48.0	480	8	48	138
8F24N52B2S	50.0	240	8	52	138
8F24N52B4S	50.0	480	8	52	145
8F24N61B2S	60.0	240	8	61	158
8F24N61B4S	60.0	480	8	61	158
8F24N61H2Y	67.0	240	8	61	158
8F24N61H4Y	67.0	480	8	61	158
8F24N78H2Y	89.0	240	8	78	182
8F24N78H4Y	89.0	480	8	78	182
8F24N88B4S	89.0	480	8	88	197
8F24N88H4Y	100.0	480	8	88	197
8F24N106B4S	100.0	480	8	106	224
8F24N106H4Y	111.0	480	8	106	223
8F24N120B4S	114.0	480	8	120	243
8F24N120H4Y	120.0	480	8	120	243
8F24N140H4Y	140.0	480	8	140	272
8F24N160H4Y	161.0	480	8	160	300
8F24N180H4Y	180.0	480	8	180	329
10F30N33B4S	38.0	480	10	33	171
10F30N43B4S	50.0	480	10	43	193
10F30N52B4S	63.0	480	10	52	212
10F30N61B4S	75.0	480	10	61	215
10F30N88B4S	111.0	480	10	88	260
10F30N106B4S	125.0	480	10	106	300
10F30N120B4S	142.0	480	10	120	330
10F36N33B4S	45.0	480	10	33	171
10F36N33H4Y	48.0	480	10	33	171
10F36N40H4Y	60.0	480	10	40	186
10F36N43B4S	60.0	480	10	43	193
10F36N52H4Y	72.0	480	10	52	212
10F36N52B4S	75.0	480	10	52	212

Flanged Heaters

Type IF

WattDensity: 15

Gaumer Catalog Number	kW	Voltage (3 Ph)	Flange Size (Inches)	Immersed Length (in.)	Weight (lbs.)
10F36N61B4S	90.0	480	10	61	232
10F36N61H4Y	100.0	480	10	61	232
10F36N78H4Y	133.0	480	10	78	268
10F36N88B4S	133.0	480	10	88	290
10F36N88H4Y	150.0	480	10	88	290
10F36N106B4S	150.0	480	10	106	330
10F36N106H4Y	167.0	480	10	106	329
10F36N120B4S	171.0	480	10	120	359
10F36N120H4Y	180.0	480	10	120	359
10F36N140H4Y	210.0	480	10	140	402
10F36N160H4Y	241.0	480	10	160	446
10F36N180H4Y	270.0	480	10	180	489
12F36N33B4S	45.0	480	12	33	234
12F36N43B4S	60.0	480	12	43	256
12F36N52B4S	75.0	480	12	52	275
12F36N61B4S	90.0	480	12	61	295
12F36N88B4S	133.0	480	12	88	353
12F36N106B4S	150.0	480	12	106	393
12F36N120B4S	171.0	480	12	120	422
12F48N33B4S	60.0	480	12	33	258
12F48N33H4Y	64.0	480	12	33	258
12F48N40H4Y	80.0	480	12	40	278
12F48N43B4S	80.0	480	12	43	287
12F48N52H4Y	96.0	480	12	52	313
12F48N52B4S	100.0	480	12	52	313
12F48N61B4S	120.0	480	12	61	339
12F48N61H4Y	133.0	480	12	61	339
12F48N78H4Y	178.0	480	12	78	388
12F48N88B4S	178.0	480	12	88	416
12F48N88H4Y	200.0	480	12	88	416
12F48N106B4S	200.0	480	12	106	470
12F48N106H4Y	222.0	480	12	106	468
12F48N120B4S	228.0	480	12	120	509
12F48N120H4Y	240.0	480	12	120	509
12F48N140H4Y	280.0	480	12	140	566
12F48N160H4Y	321.0	480	12	160	624
12F48N180H4Y	360.0	480	12	180	681
14F48N52B4S	100.0	480	14	52	340
14F48N61B4S	120.0	480	14	61	360
14F48N88B4S	178.0	480	14	88	435
14F48N106B4S	200.0	480	14	106	505
14F48N120B4S	228.0	480	14	120	535
14F54N33B4S	68.0	480	14	33	290
14F54N33H4Y	72.0	480	14	33	290
14F54N40H4Y	90.0	480	14	40	313
14F54N43B4S	90.0	480	14	43	322
14F54N52H4Y	108.0	480	14	52	351
14F54N52B4S	113.0	480	14	52	351
14F54N61B4S	135.0	480	14	61	381

Flanged Heaters

Type IF

WattDensity: 15

Gaumer Catalog Number	kW	Voltage (3 Ph)	Flange Size (Inches)	Immersed Length (in.)	Weight (lbs.)
14F54N61H4Y	150.0	480	14	61	381
14F54N78H4Y	200.0	480	14	78	436
14F54N88B4S	200.0	480	14	88	468
14F54N88H4Y	225.0	480	14	88	468
14F54N106B4S	225.0	480	14	106	529
14F54N106H4Y	250.0	480	14	106	526
14F54N120B4S	256.0	480	14	120	572
14F54N120H4Y	270.0	480	14	120	572
14F54N140H4Y	315.0	480	14	140	637
14F54N160H4Y	362.0	480	14	160	701
14F54N180H4Y	405.0	480	14	180	766
14F60N33B4S	75.0	480	14	33	302
14F60N33H4Y	80.0	480	14	33	302
14F60N40H4Y	100.0	480	14	40	327
14F60N43B4S	100.0	480	14	43	338
14F60N52H4Y	120.0	480	14	52	370
14F60N52B4S	125.0	480	14	52	370
14F60N61B4S	150.0	480	14	61	403
14F60N61H4Y	167.0	480	14	61	403
14F60N78H4Y	222.0	480	14	78	464
14F60N88B4S	222.0	480	14	88	500
14F60N88H4Y	250.0	480	14	88	500
14F60N106B4S	250.0	480	14	106	567
14F60N106H4Y	278.0	480	14	106	565
14F60N120B4S	285.0	480	14	120	615
14F60N120H4Y	300.0	480	14	120	615
14F60N140H4Y	350.0	480	14	140	687
14F60N160H4Y	402.0	480	14	160	759
14F60N180H4Y	450.0	480	14	180	831
14F72N33B4S	90.0	480	14	33	326
14F72N33H4Y	96.0	480	14	33	326
14F72N40H4Y	120.0	480	14	40	356
14F72N43B4S	120.0	480	14	43	369
14F72N52H4Y	144.0	480	14	52	408
14F72N52B4S	150.0	480	14	52	408
14F72N61B4S	180.0	480	14	61	447
14F72N61H4Y	200.0	480	14	61	447
14F72N78H4Y	266.0	480	14	78	520
14F72N88B4S	266.0	480	14	88	563
14F72N88H4Y	300.0	480	14	88	563
14F72N106B4S	300.0	480	14	106	644
14F72N106H4Y	334.0	480	14	106	641
14F72N120B4S	341.0	480	14	120	701
14F72N120H4Y	360.0	480	14	120	701
14F72N140H4Y	420.0	480	14	140	788
14F72N160H4Y	482.0	480	14	160	874
14F72N180H4Y	540.0	480	14	180	961
16F84N106H4Y	389.0	480	16	106	771
16F84N120H4Y	420.0	480	16	120	842

Flanged Heaters

Type IF

WattDensity: 15

Gaumer Catalog Number	kW	Voltage (3 Ph)	Flange Size (Inches)	Immersed Length (in.)	Weight (lbs.)
16F84N140H4Y	490.0	480	16	140	943
16F84N160H4Y	563.0	480	16	160	1043
16F84N180H4Y	630.0	480	16	180	1144
18F108N106H4Y	500.0	480	18	106	970
18F108N106H4Y	500.0	480	18	106	970
18F108N120H4Y	540.0	480	18	120	1061
18F108N120H4Y	540.0	480	18	120	1061
18F108N140H4Y	630.0	480	18	140	1190
18F108N140H4Y	630.0	480	18	140	1190
18F108N160H4Y	724.0	480	18	160	1320
18F108N160H4Y	724.0	480	18	160	1320
18F108N180H4Y	810.0	480	18	180	1449
18F108N180H4Y	810.0	480	18	180	1449
20F144N106H4Y	667.0	480	20	106	1283
20F144N120H4Y	720.0	480	20	120	1404
20F144N140H4Y	840.0	480	20	140	1577
20F144N160H4Y	965.0	480	20	160	1749
20F144N180H4Y	1080.0	480	20	180	1922
24F192N106H4Y	890.0	480	24	106	1746
24F192N120H4Y	960.0	480	24	120	1907
24F192N140H4Y	1120.0	480	24	140	2138
24F192N160H4Y	1286.0	480	24	160	2368
24F192N180H4Y	1440.0	480	24	180	2599
2F3N13H4D	1.1	240	2.5	13	13
2F3N13H2D	1.1	120	2.5	13	13
2F3N18H2D	1.5	120	2.5	18	14
2F3N18H4D	1.5	240	2.5	18	14
2F3N20H2D	1.9	120	2.5	20	15
2F3N20H4D	1.9	240	2.5	20	15
2F3N25H2D	2.3	120	2.5	25	16
2F3N25H4D	2.3	240	2.5	25	16
2F3N33H2D	3.0	120	2.5	33	17
2F3N33H4D	3.0	240	2.5	33	17
2F3N40H2D	3.8	120	2.5	40	23
2F3N40H4D	3.8	240	2.5	40	18
2F3N48H2D	4.5	120	2.5	48	20
2F3N48H4D	4.5	240	2.5	48	19
2F3N61H4D	6.3	240	2.5	61	22
2F3N78H4D	8.3	240	2.5	78	25
2F3N88H4D	9.4	240	2.5	88	27
2F3N106H4D	10.4	240	2.5	106	30
2F3N120H4D	11.3	240	2.5	120	33
3F3N13H2D	1.1	120	3	13	17
3F3N13H4D	1.1	240	3	13	17
3F3N18H2D	1.5	120	3	18	18
3F3N18H4D	1.5	240	3	18	18
3F3N20H2D	1.9	120	3	20	19
3F3N20H4D	1.9	240	3	20	19
3F3N25H2D	2.3	120	3	25	20

Flanged Heaters

Type IF

WattDensity: 15

Gaumer Catalog Number	kW	Voltage (3 Ph)	Flange Size (Inches)	Immersed Length (in.)	Weight (lbs.)
3F3N25H4D	2.3	240	3	25	20
3F3N33H2D	3.0	120	3	33	21
3F3N33H4D	3.0	240	3	33	21
3F3N40H2D	3.8	120	3	40	27
3F3N40H4D	3.8	240	3	40	22
3F3N48H2D	4.5	120	3	48	24
3F3N48H4D	4.5	240	3	48	23
3F3N61H4D	6.3	240	3	61	26
3F3N78H4D	8.3	240	3	78	29
3F3N88H4D	9.4	240	3	88	31
3F3N106H4D	19.4	240	3	106	34
3F3N120H4D	11.3	240	3	120	37
4F6N13H2S	2.2	240	4	13	31
4F6N13H4S	2.2	480	4	13	31
4F6N18H2S	3.0	240	4	18	32
4F6N18H4S	3.0	480	4	18	32
4F6N20H2S	3.8	240	4	20	33
4F6N20H4S	3.8	480	4	20	33
4F6N25H2S	4.5	240	4	25	35
4F6N25H4S	4.5	480	4	25	35
4F6N33H2S	6.0	240	4	33	38
4F6N33H4S	6.0	480	4	33	38
4F6N40H2S	7.5	240	4	40	50
4F6N40H4S	7.5	480	4	40	40
4F6N48H2S	9.0	240	4	48	43
4F6N48H4S	9.0	480	4	48	43
4F6N61H2S	12.5	240	4	61	48
4F6N61H4S	12.5	480	4	61	48
4F6N78H2S	17.0	240	4	78	54
4F6N78H4S	17.0	480	4	78	54
4F6N88H4D	19.0	240	4	88	58
4F6N88H4S	19.0	480	4	88	58
4F6N106H4D	21.0	240	4	106	64
4F6N106H4S	21.0	480	4	106	64
4F6N120H4D	23.0	240	4	120	69
4F6N120H4S	23.0	480	4	120	69
4F6N140H4D	26.0	240	4	140	76
4F6N140H4S	26.0	480	4	140	76
4F6N160H4D	30.0	240	4	160	84
4F6N160H4S	30.0	480	4	160	84
4F6N180H4D	34.0	240	4	180	91
4F6N180H4S	34.0	480	4	180	91
5F6N13H2S	2.2	240	5	13	37
5F6N13H4S	2.2	480	5	13	37
5F6N18H2S	3.0	240	5	18	38
5F6N18H4S	3.0	480	5	18	38
5F6N20H2S	3.8	240	5	20	39
5F6N20H4S	3.8	480	5	20	39
5F6N25H2S	4.5	240	5	25	41

Flanged Heaters

Type IF

WattDensity: 15

Gaumer Catalog Number	kW	Voltage (3 Ph)	Flange Size (Inches)	Immersed Length (in.)	Weight (lbs.)
5F6N25H4S	4.5	480	5	25	41
5F6N33H2S	6.0	240	5	33	44
5F6N33H4S	6.0	480	5	33	44
5F6N40H2S	7.5	240	5	40	56
5F6N40H4S	7.5	480	5	40	46
5F6N48H2S	9.0	240	5	48	49
5F6N48H4S	9.0	480	5	48	49
5F6N61H2S	12.5	240	5	61	54
5F6N61H4S	12.5	480	5	61	54
5F6N78H2S	17.0	240	5	78	60
5F6N78H4S	17.0	480	5	78	60
5F6N88H4D	19.0	240	5	88	64
5F6N88H4S	19.0	480	5	88	64
5F6N106H4D	21.0	240	5	106	70
5F6N106H4S	21.0	480	5	106	70
5F6N120H4S	23.0	480	5	120	75
5F6N120H4D	90.0	240	5	120	75
5F6N140H4D	26.0	240	5	140	82
5F6N140H4S	26.0	480	5	140	82
5F6N160H4D	30.0	240	5	160	90
5F6N160H4S	30.0	480	5	160	90
5F6N180H4D	34.0	240	5	180	97
5F6N180H4S	34.0	480	5	180	97
6F12N13H2S	4.5	240	6	13	52
6F12N13H4S	4.5	480	6	13	52
6F12N18H2S	6.0	240	6	18	56
6F12N18H4S	6.0	480	6	18	56
6F12N20H2S	7.5	240	6	20	57
6F12N20H4S	7.5	480	6	20	57
6F12N25H2S	9.0	240	6	25	61
6F12N25H4S	9.0	480	6	25	61
6F12N33H2S	12.0	240	6	33	66
6F12N33H4S	12.0	480	6	33	67
6F12N40H2S	15.0	240	6	40	91
6F12N40H4S	15.0	480	6	40	72
6F12N48H2S	18.0	240	6	48	78
6F12N48H4S	18.0	480	6	48	77
6F12N61H2S	25.0	240	6	61	87
6F12N61H4S	25.0	480	6	61	87
6F12N78H2S	33.0	240	6	78	99
6F12N78H4S	33.0	480	6	78	99
6F12N88H4D	38.0	240	6	88	106
6F12N88H4S	38.0	480	6	88	106
6F12N106H4D	42.0	240	6	106	119
6F12N106H4S	42.0	480	6	106	119
6F12N120H4D	45.0	240	6	120	129
6F12N120H4S	45.0	480	6	120	129
6F12N140H4D	53.0	240	6	140	144
6F12N140H4S	53.0	480	6	140	144

Flanged Heaters

Type IF

WattDensity: 15

Gaumer Catalog Number	kW	Voltage (3 Ph)	Flange Size (Inches)	Immersed Length (in.)	Weight (lbs.)
6F12N160H4D	60.0	240	6	160	158
6F12N160H4S	60.0	480	6	160	158
6F12N180H4D	68.0	240	6	180	173
6F12N180H4S	68.0	480	6	180	173
8F18N13H2S	6.7	240	8	13	84
8F18N13H4S	6.7	480	8	13	84
8F18N18H2S	9.0	240	8	18	89
8F18N18H4S	9.0	480	8	18	89
8F18N20H2S	11.3	240	8	20	92
8F18N20H4S	11.3	480	8	20	92
8F18N25H2S	14.0	240	8	25	97
8F18N25H4S	14.0	480	8	25	97
8F18N33H2S	18.0	240	8	33	105
8F18N33H4S	18.0	480	8	33	106
8F18N40H2S	23.0	240	8	40	142
8F18N40H4S	23.0	480	8	40	113
8F18N48H2S	27.0	240	8	48	122
8F18N48H4S	27.0	480	8	48	121
8F18N61H2S	38.0	240	8	61	136
8F18N61H4S	38.0	480	8	61	136
8F18N78H2S	50.0	240	8	78	154
8F18N78H4S	50.0	480	8	78	154
8F18N88H4D	56.0	240	8	88	165
8F18N88H4S	56.0	480	8	88	165
8F18N106H4D	63.0	240	8	106	184
8F18N106H4S	63.0	480	8	106	184
8F18N120H4D	68.0	240	8	120	200
8F18N120H4S	68.0	480	8	120	200
8F18N140H4D	79.0	240	8	140	221
8F18N140H4S	79.0	480	8	140	221
8F18N160H4S	90.0	480	8	160	243
8F18N160H4D	91.0	240	8	160	243
8F18N180H4D	101.0	240	8	180	264
8F18N180H4S	101.0	480	8	180	264
8F24N13H2S	9.0	240	8	13	89
8F24N13H4S	9.0	480	8	13	89
8F24N18H2S	12.0	240	8	18	96
8F24N18H4S	12.0	480	8	18	96
8F24N20H2S	15.0	240	8	20	99
8F24N20H4S	15.0	480	8	20	99
8F24N25H2S	18.0	240	8	25	106
8F24N25H4S	18.0	480	8	25	106
8F24N33H2S	24.0	240	8	33	116
8F24N33H4S	24.0	480	8	33	118
8F24N40H2S	30.0	240	8	40	166
8F24N40H4S	30.0	480	8	40	128
8F24N48H2S	36.0	240	8	48	139
8F24N48H4S	36.0	480	8	48	138
8F24N61H2S	50.0	240	8	61	158

Flanged Heaters

Type IF

WattDensity: 15

Gaumer Catalog Number	kW	Voltage (3 Ph)	Flange Size (Inches)	Immersed Length (in.)	Weight (lbs.)
8F24N61H4S	50.0	480	8	61	158
8F24N78H2S	67.0	240	8	78	182
8F24N78H4S	67.0	480	8	78	182
8F24N88H4D	75.0	240	8	88	197
8F24N88H4S	75.0	480	8	88	197
8F24N106H4D	84.0	240	8	106	223
8F24N106H4S	84.0	480	8	106	223
8F24N120H4D	90.0	240	8	120	243
8F24N120H4S	90.0	480	8	120	243
8F24N140H4D	105.0	240	8	140	272
8F24N140H4S	105.0	480	8	140	272
8F24N160H4D	121.0	240	8	160	300
8F24N160H4S	121.0	480	8	160	300
8F24N180H4D	135.0	240	8	180	329
8F24N180H4S	135.0	480	8	180	329
10F36N52H4S	54.0	480	10	52	212
10F36N61H4S	75.0	480	10	61	232
10F36N78H4S	100.0	480	10	78	268
10F36N88H4S	112.0	480	10	88	290
10F36N106H4S	125.0	480	10	106	329
10F36N120H4S	135.0	480	10	120	359
10F36N140H4S	157.0	480	10	140	402
10F36N160H4S	181.0	480	10	160	446
10F36N180H4S	203.0	480	10	180	489
12F48N52H4S	72.0	480	12	52	313
12F48N61H4S	100.0	480	12	61	339
12F48N78H4S	133.0	480	12	78	388
12F48N88H4S	150.0	480	12	88	416
12F48N106H4S	167.0	480	12	106	468
12F48N120H4S	180.0	480	12	120	509
12F48N140H4S	210.0	480	12	140	566
12F48N160H4S	241.0	480	12	160	624
12F48N180H4S	270.0	480	12	180	681
14F54N52H4S	81.0	480	14	52	351
14F54N61H4S	113.0	480	14	61	381
14F54N78H4S	150.0	480	14	78	436
14F54N88H4S	169.0	480	14	88	468
14F54N106H4S	188.0	480	14	106	526
14F54N120H4S	203.0	480	14	120	572
14F54N140H4S	237.0	480	14	140	637
14F54N160H4S	272.0	480	14	160	701
14F54N180H4S	305.0	480	14	180	766
14F60N52H4S	90.0	480	14	52	370
14F60N61H4S	125.0	480	14	61	403
14F60N78H4S	167.0	480	14	78	464
14F60N88H4S	188.0	480	14	88	500
14F60N106H4S	209.0	480	14	106	565
14F60N120H4S	225.0	480	14	120	615
14F60N140H4S	263.0	480	14	140	687

Flanged Heaters

Type IF

WattDensity: 15

Gaumer Catalog Number	kW	Voltage (3 Ph)	Flange Size (Inches)	Immersed Length (in.)	Weight (lbs.)
14F60N160H4S	301.0	480	14	160	759
14F60N180H4S	338.0	480	14	180	831
14F72N52H4S	108.0	480	14	52	408
14F72N61H4S	150.0	480	14	61	447
14F72N78H4S	200.0	480	14	78	520
14F72N88H4S	225.0	480	14	88	563
14F72N106H4S	250.0	480	14	106	641
14F72N120H4S	270.0	480	14	120	701
14F72N140H4S	315.0	480	14	140	788
14F72N160H4S	361.0	480	14	160	874
14F72N180H4S	405.0	480	14	180	961
16F84N106H4S	292.0	480	16	106	771
16F84N120H4S	315.0	480	16	120	842
16F84N140H4S	368.0	480	16	140	943
16F84N160H4S	421.0	480	16	160	1043
16F84N180H4S	473.0	480	16	180	1144
18F108N106H4S	375.0	480	18	106	970
18F108N106H4S	375.0	480	18	106	970
18F108N120H4S	405.0	480	18	120	1061
18F108N120H4S	405.0	480	18	120	1061
18F108N140H4S	473.0	480	18	140	1190
18F108N140H4S	473.0	480	18	140	1190
18F108N160H4S	542.0	480	18	160	1320
18F108N160H4S	542.0	480	18	160	1320
18F108N180H4S	608.0	480	18	180	1449
18F108N180H4S	608.0	480	18	180	1449
20F144N106H4S	502.0	480	20	106	1283
20F144N120H4S	540.0	480	20	120	1404
20F144N140H4S	631.0	480	20	140	1577
20F144N160H4S	722.0	480	20	160	1749
20F144N180H4S	811.0	480	20	180	1922
24F192N106H4S	667.0	480	24	106	1746
24F192N120H4S	720.0	480	24	120	1907
24F192N140H4S	840.0	480	24	140	2138
24F192N160H4S	963.0	480	24	160	2368
24F192N180H4S	1080.0	480	24	180	2599

Flanged Heaters - Type IF

Rated 8/6 watts/sq.in.

APPLICATIONS

90 Watts Per Square Inch

For heating clean water only in commercial and/or residential applications. Element life is sacrificed in favor of a low initial heater cost.

60 and 45 Watts Per Square Inch

Industrial water heating - many aqueous solutions which are compatible with steel and Incoloy.

23 and 20 Watts Per Square Inch

For heat transfer oil, cleaners, high temperature air and gas heating.

15 and 12 Watts Per Square Inch

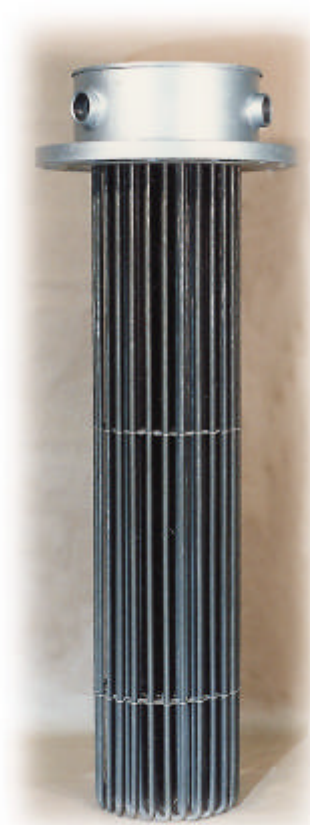
For lubricating oils, medium viscosity oils, high temperature air and gas heating.

8 and 6 Watts Per Square Inch

For #5 and #6 fuel oil heating, viscous materials, raw crude oil, residual oils, high temperature air and gas heating.

4 and 2 Watts Per Square Inch

For asphalt and other hard-to-heat substances, extra high temperature air and gas.



STANDARD FEATURES

Heating Elements

- Incoloy 800 Sheath Material
- Heavy Wall (.035 in.)
- Large diameter (.475 in.)
- Sealed Terminals

Spacers

- High Temp Alloy Material
- Rugged Design
- "Evenflow" Configuration

Construction

- Welded Heating Elements
- Welded Terminal Housing
- Welded Spacers

Installation

- Flying Leadwires Provided
- Only Standard Materials Needed in Field

Service

- Wiring Modifiable in Field
- Assembly Repairable at Factory

SPECIAL FEATURES

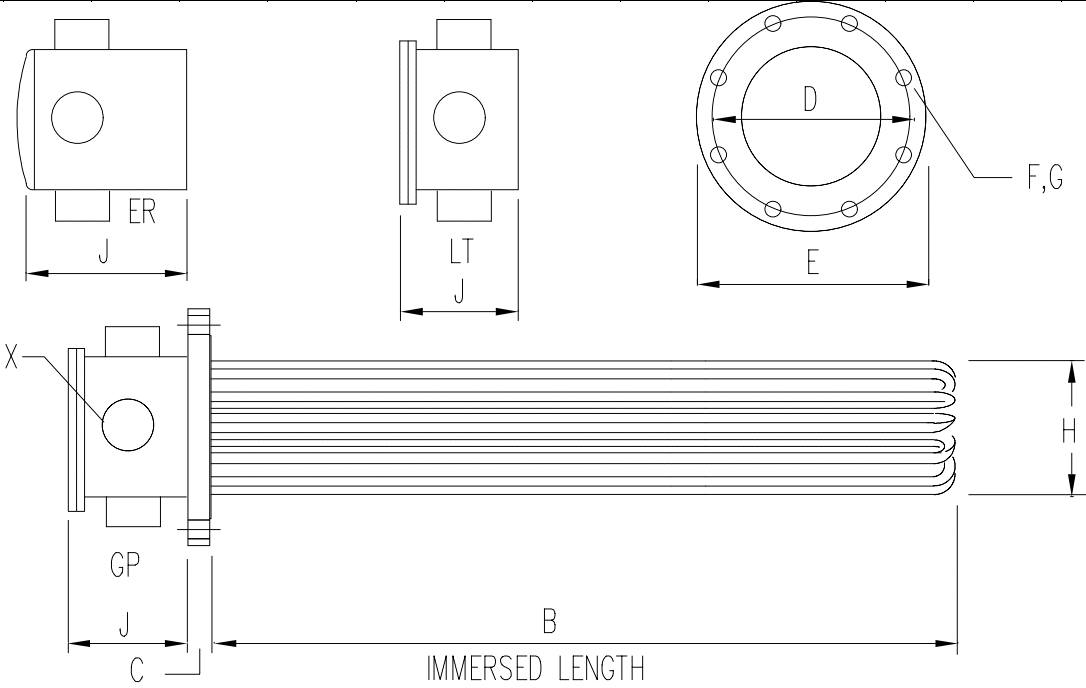
- ER Explosion Resistant Terminal Enclosure
- LT Moisture Resistant Terminal Enclosure
- J(K) Sheath Sensing Thermocouple attached to one element for overheat protection.
- S Stainless Steel Flange - Type 304
- SS Stainless Steel Flange - Type 316
- SpHtr Space Heater Mounted in Terminal Enclosure
- OSTHsg Offset (Spaced Away) Terminal Housing
- XX Special Feature not Listed Above
- 3(?)-(P/N) 300(?)# ANSI Flange

Flanged Heaters

Type IF

**Gaumer Drawing No. IF-200
(Dimension Flange Heater Detail)**

Flange Size	Pressur Class	Flange Dimensions (inches)			Hole Size	No. of Holes	Min. Hole Diam.	Housing Height (inches)			X - No and Size Conduit Connection		
		C Thick	D Diam:	E Diam:				F	G	H	J GP:	J ER:	J LT:
2-1/2	150	7/8	5-1/2	7	3/4	4	2-1/4	2-5/8	5-1/2	2-5/8	1@1	2@1-1/4	1@1
2-1/2	300	1	5-7/8	7-1/2	7/8	8	2-1/4	2-5/8	5-1/2	2-5/8	1@1	2@1-1/4	1@1
3	150	0-15/16	6	7-1/2	3/4	4	2-3/4	2-5/8	5-1/2	2-5/8	1@1	2@1-1/4	1@1
3	300	1-1/8	6-5/8	8-1/4	7/8	8	2-3/4	2-5/8	5-1/2	2-5/8	1@1	2@1-1/4	1@1
4	150	0-15/16	7-1/2	9	3/4	8	3-13/16	5-1/2	6-1/2	5-1/2	4@1-1/2	2@1-1/2	4@1-1/2
4	300	1-1/4	7-7/8	10	7/8	8	3-13/16	5-1/2	6-1/2	5-1/2	4@1-1/2	2@1-1/2	4@1-1/2
5	150	0-15/16	8-1/2	10	7/8	8	4-13/16	5-1/2	6-1/2	5-1/2	4@1-1/2	2@1-1/2	4@1-1/2
5	300	1-3/8	9-1/4	11	7/8	8	4-13/16	5-1/2	6-1/2	5-1/2	4@1-1/2	2@1-1/2	4@1-1/2
6	150	1	9-1/2	11	7/8	8	5-3/4	5-1/2	8	5-1/2	4@1-1/2	4@1-1/2	4@1-1/2
6	300	1-7/16	10-5/8	12-1/2	7/8	12	5-3/4	5-1/2	8	5-1/2	4@1-1/2	4@1-1/2	4@1-1/2
8	150	1-1/8	11-3/4	13-1/2	7/8	8	7-13/16	5-1/2	9	5-1/2	4@1-1/2	4@1-1/2	4@1-1/2
8	300	1-5/8	13	15	1	12	7-13/16	5-1/2	9	5-1/2	4@1-1/2	4@1-1/2	4@1-1/2
10	150	1-3/16	14-1/4	16	1	12	9-5/8	7	11	7	4@2	4@2	4@2
10	300	1-7/8	15-1/4	17-1/2	1-1/8	16	9-5/8	7	11	7	4@2	4@2	4@2
12	150	1-1/4	17	19	1	12	11-5/8	7	11	7	4@2	4@2	4@2
12	300	2	17-3/4	20-1/2	1-1/4	16	11-5/8	7	11	7	4@2	4@2	4@2
14	150	1-3/8	18-3/4	21	1-1/8	12	12-1/2	7	11	7	4@2	4@2	4@2
14	300	2-1/8	20-1/4	23	1-1/4	20	12-1/2	7	11	7	4@2	4@2	4@2
16	150	1-7/16	21-1/4	23-1/2	1-1/8	16	14-1/2	9	13	9	4@2	4@2	4@2
16	300	2-1/4	22-1/2	25-1/2	1-3/8	20	14-1/2	9	13	9	4@2	4@2	4@2
18	150	1-9/16	22-3/4	25	1-1/4	16	16-3/8	9	13	9	4@2	4@2	4@2
18	300	2-3/8	24-3/4	28	1-3/8	24	16-3/8	9	13	9	4@2	4@2	4@2
20	150	1-11/16	25	27-1/2	1-1/4	20	18-5/16	9	13	9	4@2	4@2	4@2
20	300	2-1/2	27	30-1/2	1-3/8	24	18-5/16	9	13	9	4@2	4@2	4@2
24	150	1-7/8	29-1/2	32	1-3/8	20	22-1/8	11	15	11	6@2	6@2	6@2
24	300	2-3/4	32	36	1-5/8	24	22-1/8	11	15	11	6@2	6@2	6@2



Flanged Heaters

Type IF

WattDensity: 8

Gaumer Catalog Number	kW	Voltage (3 Ph)	Flange Size (Inches)	Immersed Length (in.)	Weight (lbs.)
2F3N13M2Y	0.7	240	2.5	13	13
2F3N13M4Y	0.7	480	2.5	13	13
2F3N18M2Y	1.0	240	2.5	18	14
2F3N18M4Y	1.0	480	2.5	18	14
2F3N20M2Y	1.2	240	2.5	20	15
2F3N20M4Y	1.2	480	2.5	20	15
2F3N25M2Y	1.5	240	2.5	25	16
2F3N25M4Y	1.5	480	2.5	25	16
2F3N33M2Y	2.0	240	2.5	33	17
2F3N33M4Y	2.0	480	2.5	33	17
2F3N40M2Y	2.5	240	2.5	40	18
2F3N40M4Y	2.5	480	2.5	40	18
2F3N48M2Y	3.0	240	2.5	48	20
2F3N48M4Y	3.0	480	2.5	48	20
2F3N52M2Y	3.3	240	2.5	52	20
2F3N52M4Y	3.3	480	2.5	52	20
2F3N64M2Y	4.2	240	2.5	64	23
2F3N64M4Y	4.2	480	2.5	64	23
2F3N77M2Y	5.0	240	2.5	77	25
2F3N77M4Y	5.0	480	2.5	77	25
2F3N88M4Y	5.6	480	2.5	88	27
3F3N13M2Y	0.7	240	3	13	17
3F3N13M4Y	0.7	480	3	13	17
3F3N18M2Y	1.0	240	3	18	18
3F3N18M4Y	1.0	480	3	18	18
3F3N20M2Y	1.3	240	3	20	19
3F3N20M4Y	1.3	480	3	20	19
3F3N25M2Y	1.5	240	3	25	20
3F3N25M4Y	1.5	480	3	25	20
3F3N33M2Y	2.0	240	3	33	21
3F3N33M4Y	2.0	480	3	33	21
3F3N40M2Y	2.5	240	3	40	22
3F3N40M4Y	2.5	480	3	40	22
3F3N48M2Y	3.0	240	3	48	24
3F3N48M4Y	3.0	480	3	48	24
3F3N52M2Y	3.3	240	3	52	24
3F3N52M4Y	3.3	480	3	52	24
3F3N64M2Y	4.2	240	3	64	27
3F3N64M4Y	4.2	480	3	64	27
3F3N77M2Y	5.0	240	3	77	29
3F3N77M4Y	5.0	480	3	77	29
3F3N88M4Y	5.6	480	3	88	31
3F3N106M4Y	6.3	480	3	106	34
3F3N120M4Y	7.8	480	3	120	37
3F3N140M4Y	9.0	480	3	140	40
3F3N160M4Y	10.0	480	3	160	44
3F3N180M4Y	11.0	480	3	180	47
4F6N18M2Y	2.0	240	4	18	32
4F6N18M4Y	2.0	480	4	18	32

Flanged Heaters

Type IF

WattDensity: 8

Gaumer Catalog Number	kW	Voltage (3 Ph)	Flange Size (Inches)	Immersed Length (in.)	Weight (lbs.)
4F6N20M2Y	2.5	240	4	20	33
4F6N20M4Y	2.5	480	4	20	33
4F6N25M2Y	3.0	240	4	25	35
4F6N25M4Y	3.0	480	4	25	35
4F6N33M2Y	4.0	240	4	33	38
4F6N33M4Y	4.0	480	4	33	38
4F6N40M2Y	5.0	240	4	40	40
4F6N40M4Y	5.0	480	4	40	40
4F6N48M2Y	6.0	240	4	48	43
4F6N48M4Y	6.0	480	4	48	43
4F6N52M2Y	6.6	240	4	52	45
4F6N52M4Y	6.6	480	4	52	45
4F6N64M2Y	8.3	240	4	64	50
4F6N64M4Y	8.3	480	4	64	50
4F6N77M2Y	10.0	240	4	77	54
4F6N77M4Y	10.0	480	4	77	54
4F6N88M4Y	11.2	480	4	88	58
4F6N106M4Y	13.0	480	4	106	64
4F6N120M4Y	16.0	480	4	120	69
4F6N140M4Y	18.0	480	4	140	76
4F6N160M4Y	20.0	480	4	160	84
4F6N180M4Y	23.0	480	4	180	91
5F6N18M2Y	2.0	240	5	18	38
5F6N18M4Y	2.0	480	5	18	38
5F6N20M2Y	2.5	240	5	20	39
5F6N20M4Y	2.5	480	5	20	39
5F6N25M2Y	3.0	240	5	25	41
5F6N25M4Y	3.0	480	5	25	41
5F6N33M2Y	4.0	240	5	33	44
5F6N33M4Y	4.0	480	5	33	44
5F6N40M2Y	5.0	240	5	40	46
5F6N40M4Y	5.0	480	5	40	46
5F6N48M2Y	6.0	240	5	48	49
5F6N48M4Y	6.0	480	5	48	49
5F6N52M2Y	6.6	240	5	52	51
5F6N52M4Y	6.6	480	5	52	51
5F6N64M2Y	8.3	240	5	64	56
5F6N64M4Y	8.3	480	5	64	56
5F6N77M2Y	10.0	240	5	77	60
5F6N77M4Y	10.0	480	5	77	60
5F6N88M4Y	11.2	480	5	88	64
5F6N106M4Y	13.0	480	5	106	70
5F6N120M4Y	16.0	480	5	120	75
5F6N140M4Y	18.0	480	5	140	82
5F6N160M4Y	20.0	480	5	160	90
5F6N180M4Y	23.0	480	5	180	97
5F9N18M2Y	3.0	240	5	18	41
5F9N18M4Y	3.0	480	5	18	42
5F9N20M2Y	3.8	240	5	20	43

Flanged Heaters

Type IF

WattDensity: 8

Gaumer Catalog Number	kW	Voltage (3 Ph)	Flange Size (Inches)	Immersed Length (in.)	Weight (lbs.)
5F9N20M4Y	3.8	480	5	20	43
5F9N25M2Y	4.5	240	5	25	46
5F9N25M4Y	4.5	480	5	25	46
5F9N33M2Y	6.0	240	5	33	50
5F9N33M4Y	6.0	480	5	33	50
5F9N40M2Y	7.5	240	5	40	54
5F9N40M4Y	7.5	480	5	40	54
5F9N48M2Y	9.0	240	5	48	58
5F9N48M4Y	9.0	480	5	48	58
5F9N52M2Y	10.0	240	5	52	60
5F9N52M4Y	10.0	480	5	52	60
5F9N64M2Y	12.5	240	5	64	68
5F9N64M4Y	12.5	480	5	64	68
5F9N77M2Y	15.0	240	5	77	74
5F9N77M4Y	15.0	480	5	77	74
5F9N88M4Y	17.0	480	5	88	80
5F9N106M4Y	19.0	480	5	106	90
5F9N120M4Y	24.0	480	5	120	97
5F9N140M4Y	26.0	480	5	140	108
5F9N160M4Y	30.0	480	5	160	118
5F9N180M4Y	34.0	480	5	180	129
6F12N18M2Y	4.0	240	6	18	55
6F12N18M4Y	4.0	480	6	18	56
6F12N20M2Y	5.0	240	6	20	57
6F12N20M4Y	5.0	480	6	20	57
6F12N25M2Y	6.0	240	6	25	61
6F12N25M4Y	6.0	480	6	25	61
6F12N33M2Y	8.0	240	6	33	67
6F12N33M4Y	8.0	480	6	33	67
6F12N40M2Y	10.0	240	6	40	72
6F12N40M4Y	10.0	480	6	40	72
6F12N48M2Y	12.0	240	6	48	78
6F12N48M4Y	12.0	480	6	48	78
6F12N52M2Y	13.0	240	6	52	80
6F12N52M4Y	13.0	480	6	52	80
6F12N64M2Y	17.0	240	6	64	91
6F12N64M4Y	17.0	480	6	64	91
6F12N77M2Y	20.0	240	6	77	98
6F12N77M4Y	20.0	480	6	77	98
6F12N88M4Y	22.0	480	6	88	106
6F12N106M4Y	26.0	480	6	106	120
6F12N120M4Y	31.0	480	6	120	129
6F12N140M4Y	35.0	480	6	140	144
6F12N160M4Y	40.0	480	6	160	158
6F12N180M4Y	45.0	480	6	180	173
6F15N18M2Y	5.0	240	6	18	58
6F15N18M4Y	5.0	480	6	18	59
6F15N20M2Y	6.3	240	6	20	61
6F15N20M4Y	6.3	480	6	20	61

Flanged Heaters

Type IF

WattDensity: 8

Gaumer Catalog Number	kW	Voltage (3 Ph)	Flange Size (Inches)	Immersed Length (in.)	Weight (lbs.)
6F15N25M2Y	7.5	240	6	25	66
6F15N25M4Y	7.5	480	6	25	66
6F15N33M2Y	10.0	240	6	33	73
6F15N33M4Y	10.0	480	6	33	73
6F15N40M2Y	12.5	240	6	40	79
6F15N40M4Y	12.5	480	6	40	79
6F15N48M2Y	15.0	240	6	48	86
6F15N48M4Y	15.0	480	6	48	86
6F15N64M2Y	21.0	240	6	64	103
6F15N64M4Y	21.0	480	6	64	103
6F15N77M2Y	25.0	240	6	77	112
6F15N77M4Y	25.0	480	6	77	112
6F15N88M4Y	28.0	480	6	88	122
6F15N106M4Y	32.0	480	6	106	139
6F15N120M4Y	39.0	480	6	120	151
6F15N140M4Y	44.0	480	6	140	169
6F15N160M4Y	51.0	480	6	160	187
6F15N180M4Y	56.0	480	6	180	205
8F18N52M4Y	20.0	480	8	52	126
8F18N64M4Y	26.0	480	8	64	142
8F18N77M4Y	30.0	480	8	77	153
8F18N88M4Y	34.0	480	8	88	165
8F18N106M4Y	38.0	480	8	106	185
8F18N120M4Y	47.0	480	8	120	200
8F18N140M4Y	52.0	480	8	140	221
8F18N160M4Y	60.0	480	8	160	243
8F18N180M4Y	68.0	480	8	180	264
8F24N52M4Y	27.0	480	8	52	145
8F24N64M4Y	34.0	480	8	64	166
8F24N77M4Y	40.0	480	8	77	181
8F24N88M4Y	45.0	480	8	88	197
8F24N106M4Y	50.0	480	8	106	224
8F24N120M4Y	62.0	480	8	120	243
8F24N140M4Y	70.0	480	8	140	272
8F24N160M4Y	81.0	480	8	160	300
8F24N180M4Y	90.0	480	8	180	329
10F27N52M4Y	30.0	480	10	52	184
10F27N64M4Y	38.0	480	10	64	208
10F27N77M4Y	45.0	480	10	77	225
10F27N88M4Y	50.0	480	10	88	243
10F27N106M4Y	57.0	480	10	106	273
10F27N120M4Y	70.0	480	10	120	294
10F36N52M4Y	40.0	480	10	52	212
10F36N64M4Y	51.0	480	10	64	244
10F36N77M4Y	60.0	480	10	77	266
10F36N88M4Y	67.0	480	10	88	290
10F36N106M4Y	76.0	480	10	106	330
10F36N120M4Y	94.0	480	10	120	359
10F36N140M4Y	105.0	480	10	140	402

Flanged Heaters

Type IF

WattDensity: 8

Gaumer Catalog Number	kW	Voltage (3 Ph)	Flange Size (Inches)	Immersed Length (in.)	Weight (lbs.)
10F36N160M4Y	121.0	480	10	160	446
10F36N180M4Y	135.0	480	10	180	489
12F48N52M4Y	53.0	480	12	52	313
12F48N64M4Y	68.0	480	12	64	355
12F48N77M4Y	80.0	480	12	77	385
12F48N88M4Y	90.0	480	12	88	416
12F48N106M4Y	100.0	480	12	106	470
12F48N120M4Y	124.0	480	12	120	509
12F48N140M4Y	140.0	480	12	140	566
12F48N160M4Y	161.0	480	12	160	624
12F48N180M4Y	180.0	480	12	180	681
14F54N52M4Y	60.0	480	14	52	351
14F54N64M4Y	77.0	480	14	64	399
14F54N77M4Y	90.0	480	14	77	432
14F54N88M4Y	100.0	480	14	88	468
14F54N106M4Y	113.0	480	14	106	529
14F54N120M4Y	140.0	480	14	120	572
14F54N140M4Y	157.0	480	14	140	637
14F54N160M4Y	181.0	480	14	160	701
14F54N180M4Y	203.0	480	14	180	766
14F60N140M4Y	175.0	480	14	140	687
14F60N160M4Y	201.0	480	14	160	759
14F60N180M4Y	225.0	480	14	180	831
14F72N140M4Y	210.0	480	14	140	788
14F72N160M4Y	241.0	480	14	160	874
14F72N180M4Y	270.0	480	14	180	961
16F84N140M4Y	245.0	480	16	140	943
16F84N160M4Y	282.0	480	16	160	1043
16F84N180M4Y	315.0	480	16	180	1144
18F108N140M4Y	315.0	480	18	140	1190
18F108N160M4Y	362.0	480	18	160	1320
18F108N180M4Y	405.0	480	18	180	1449
20F144N140M4Y	420.0	480	20	140	1577
20F144N160M4Y	483.0	480	20	160	1749
20F144N180M4Y	540.0	480	20	180	1922
24F192N140M4Y	560.0	480	24	140	2138
24F192N160M4Y	643.0	480	24	160	2368
24F192N180M4Y	720.0	480	24	180	2599

WattDensity: 6

Gaumer Catalog Number	kW	Voltage (3 Ph)	Flange Size (Inches)	Immersed Length (in.)	Weight (lbs.)
2F3N18M2D	0.8	120	2.5	18	14
2F3N18M4D	0.8	240	2.5	18	14
2F3N20M2D	1.0	120	2.5	20	15
2F3N20M4D	1.0	240	2.5	20	15
2F3N25M4D	1.1	240	2.5	25	16
2F3N25M2D	1.1	120	2.5	25	16
2F3N33M2D	1.5	120	2.5	33	17
2F3N33M4D	1.5	240	2.5	33	17

Flanged Heaters

Type IF

WattDensity: 6

Gaumer Catalog Number	kW	Voltage (3 Ph)	Flange Size (Inches)	Immersed Length (in.)	Weight (lbs.)
2F3N40M2D	1.9	120	2.5	40	18
2F3N40M4D	1.9	240	2.5	40	18
2F3N48M2D	2.3	120	2.5	48	20
2F3N48M4D	2.3	240	2.5	48	20
2F3N52M2D	2.5	120	2.5	52	20
2F3N52M4D	2.5	240	2.5	52	20
2F3N64M2D	3.1	120	2.5	64	23
2F3N64M4D	3.1	240	2.5	64	23
2F3N77M2D	3.8	120	2.5	77	25
2F3N77M4D	38.0	240	2.5	77	25
2F3N88M4D	4.2	240	2.5	88	27
2F3N106M4D	4.7	240	2.5	106	30
2F3N120M4D	5.9	240	2.5	120	33
3F3N18M2D	0.8	120	3	18	18
3F3N18M4D	0.8	240	3	18	18
3F3N20M2D	1.0	120	3	20	19
3F3N20M4D	1.0	240	3	20	19
3F3N25M2D	1.1	120	3	25	20
3F3N25M4D	1.1	240	3	25	20
3F3N33M2D	1.5	120	3	33	21
3F3N33M4D	1.5	240	3	33	21
3F3N40M2D	1.9	120	3	40	22
3F3N40M4D	1.9	240	3	40	22
3F3N48M2D	2.3	120	3	48	24
3F3N48M4D	2.3	240	3	48	24
3F3N52M2D	2.5	120	3	52	24
3F3N52M4D	2.5	240	3	52	24
3F3N64M2D	3.1	120	3	64	27
3F3N64M4D	3.1	240	3	64	27
3F3N77M2D	3.8	120	3	77	29
3F3N77M4D	3.8	240	3	77	29
3F3N88M4D	4.2	240	3	88	31
3F3N106M4D	4.7	240	3	106	34
3F3N120M4D	6.0	240	3	120	37
4F6N18M2S	1.5	240	4	18	32
4F6N18M4S	1.5	480	4	18	32
4F6N20M2S	1.9	240	4	20	33
4F6N20M4S	1.9	480	4	20	33
4F6N25M2S	2.2	240	4	25	35
4F6N25M4S	2.2	480	4	25	35
4F6N33M2S	3.0	240	4	33	38
4F6N33M4S	3.0	480	4	33	38
4F6N40M2S	3.7	240	4	40	40
4F6N40M4S	3.7	480	4	40	40
4F6N48M2S	4.5	240	4	48	43
4F6N48M4S	4.5	480	4	48	43
4F6N52M2S	5.0	240	4	52	45
4F6N52M4S	5.0	480	4	52	45
4F6N64M2S	6.2	240	4	64	50

Flanged Heaters

Type IF

WattDensity: 6

Gaumer Catalog Number	kW	Voltage (3 Ph)	Flange Size (Inches)	Immersed Length (in.)	Weight (lbs.)
4F6N64M4S	6.2	480	4	64	50
4F6N77M2S	7.5	240	4	77	54
4F6N77M4S	7.5	480	4	77	54
4F6N88M4S	8.4	480	4	88	58
4F6N106M4S	9.4	480	4	106	64
4F6N120M4S	11.6	480	4	120	69
4F6N140M4D	13.0	240	4	140	76
4F6N140M4S	13.0	480	4	140	76
4F6N160M4D	15.0	240	4	160	84
4F6N160M4S	15.0	480	4	160	84
4F6N180M4D	17.0	240	4	180	91
4F6N180M4S	17.0	480	4	180	91
5F6N18M2S	1.5	240	5	18	38
5F6N18M4S	1.5	480	5	18	38
5F6N20M2S	1.9	240	5	20	39
5F6N20M4S	1.9	480	5	20	39
5F6N25M2S	2.2	240	5	25	41
5F6N25M4S	2.2	480	5	25	41
5F6N33M2S	3.0	240	5	33	44
5F6N33M4S	3.0	480	5	33	44
5F6N40M2S	3.7	240	5	40	46
5F6N40M4S	3.7	480	5	40	46
5F6N48M2S	4.5	240	5	48	49
5F6N48M4S	4.5	480	5	48	49
5F6N52M2S	5.0	240	5	52	51
5F6N52M4S	5.0	480	5	52	51
5F6N64M2S	6.2	240	5	64	56
5F6N64M4S	6.2	480	5	64	56
5F6N77M2S	7.5	240	5	77	60
5F6N77M4S	7.5	480	5	77	60
5F6N88M4S	8.4	480	5	88	64
5F6N106M4S	9.4	480	5	106	70
5F6N120M4S	11.6	480	5	120	75
5F6N140M4D	13.0	240	5	140	82
5F6N140M4S	13.0	480	5	140	82
5F6N160M4D	15.0	240	5	160	90
5F6N160M4S	15.0	480	5	160	90
5F6N180M4D	17.0	240	5	180	97
5F6N180M4S	17.0	480	5	180	97
6F12N18M2S	3.0	240	6	18	55
6F12N18M4S	3.0	480	6	18	56
6F12N20M2S	3.7	240	6	20	57
6F12N20M4S	3.7	480	6	20	57
6F12N25M2S	4.5	240	6	25	61
6F12N25M4S	4.5	480	6	25	61
6F12N33M2S	6.0	240	6	33	67
6F12N33M4S	6.0	480	6	33	67
6F12N40M2S	7.5	240	6	40	72
6F12N40M4S	7.5	480	6	40	72

Flanged Heaters

Type IF

WattDensity: 6

Gaumer Catalog Number	kW	Voltage (3 Ph)	Flange Size (Inches)	Immersed Length (in.)	Weight (lbs.)
6F12N48M2S	9.0	240	6	48	78
6F12N48M4S	9.0	480	6	48	78
6F12N52M2S	10.0	240	6	52	80
6F12N52M4S	10.0	480	6	52	80
6F12N64M2S	12.5	240	6	64	91
6F12N64M4S	12.5	480	6	64	91
6F12N77M2S	15.0	240	6	77	98
6F12N77M4S	15.0	480	6	77	98
6F12N88M4S	17.0	480	6	88	106
6F12N106M4S	19.0	480	6	106	120
6F12N120M4S	24.0	480	6	120	129
6F12N140M4D	26.0	240	6	140	144
6F12N140M4S	26.0	480	6	140	144
6F12N160M4D	30.0	240	6	160	158
6F12N160M4S	30.0	480	6	160	158
6F12N180M4D	34.0	240	6	180	173
6F12N180M4S	34.0	480	6	180	173
8F18N33M2S	9.0	240	8	33	106
8F18N33M4S	9.0	480	8	33	106
8F18N40M2S	11.2	240	8	40	113
8F18N40M4S	11.2	480	8	40	113
8F18N48M2S	14.0	240	8	48	122
8F18N48M4S	14.0	480	8	48	122
8F18N52M2S	15.0	240	8	52	126
8F18N52M4S	15.0	480	8	52	126
8F18N64M2S	19.0	240	8	64	142
8F18N64M4S	19.0	480	8	64	142
8F18N77M2S	23.0	240	8	77	153
8F18N77M4S	23.0	480	8	77	153
8F18N88M4S	25.0	480	8	88	165
8F18N106M4S	29.0	480	8	106	185
8F18N120M4S	35.0	480	8	120	200
8F18N140M4D	40.0	240	8	140	221
8F18N140M4S	40.0	480	8	140	221
8F18N160M4D	45.0	240	8	160	243
8F18N160M4S	45.0	480	8	160	243
8F18N180M4D	51.0	240	8	180	264
8F18N180M4S	51.0	480	8	180	264
8F24N33M2S	12.0	240	8	33	118
8F24N33M4S	12.0	480	8	33	118
8F24N40M2S	15.0	240	8	40	128
8F24N40M4S	15.0	480	8	40	128
8F24N48M2S	18.0	240	8	48	139
8F24N48M4S	18.0	480	8	48	139
8F24N52M2S	20.0	240	8	52	145
8F24N52M4S	20.0	480	8	52	145
8F24N64M2S	26.0	240	8	64	166
8F24N64M4S	26.0	480	8	64	166
8F24N77M2S	30.0	240	8	77	181

Flanged Heaters

Type IF

WattDensity: 6

Gaumer Catalog Number	kW	Voltage (3 Ph)	Flange Size (Inches)	Immersed Length (in.)	Weight (lbs.)
8F24N77M4S	30.0	480	8	77	181
8F24N88M4S	34.0	480	8	88	197
8F24N106M4S	38.0	480	8	106	224
8F24N120M4S	47.0	480	8	120	243
8F24N140M4D	53.0	240	8	140	272
8F24N140M4S	53.0	480	8	140	272
8F24N160M4D	60.0	240	8	160	300
8F24N160M4S	60.0	480	8	160	300
8F24N180M4D	68.0	240	8	180	329
8F24N180M4S	68.0	480	8	180	329
10F36N33M2S	18.0	240	10	33	171
10F36N33M4S	18.0	480	10	33	171
10F36N40M2S	22.0	240	10	40	186
10F36N40M4S	22.0	480	10	40	186
10F36N48M2S	27.0	240	10	48	204
10F36N48M4S	27.0	480	10	48	204
10F36N52M2S	30.0	240	10	52	212
10F36N52M4S	30.0	480	10	52	212
10F36N64M2S	38.0	240	10	64	244
10F36N64M4S	38.0	480	10	64	244
10F36N77M2S	45.0	240	10	77	266
10F36N77M4S	45.0	480	10	77	266
10F36N88M4S	50.0	480	10	88	290
10F36N106M4S	57.0	480	10	106	330
10F36N120M4S	70.0	480	10	120	359
10F36N140M4S	79.0	480	10	140	402
10F36N160M4S	91.0	480	10	160	446
10F36N180M4S	101.0	480	10	180	489
12F48N33M2S	24.0	240	12	33	258
12F48N33M4S	24.0	480	12	33	258
12F48N40M2S	30.0	240	12	40	278
12F48N40M4S	30.0	480	12	40	278
12F48N48M2S	36.0	240	12	48	301
12F48N48M4S	36.0	480	12	48	301
12F48N52M2S	40.0	240	12	52	313
12F48N52M4S	40.0	480	12	52	313
12F48N64M2S	51.0	240	12	64	355
12F48N64M4S	51.0	480	12	64	355
12F48N77M2S	60.0	240	12	77	385
12F48N77M4S	60.0	480	12	77	385
12F48N88M4S	67.0	480	12	88	416
12F48N106M4S	76.0	480	12	106	470
12F48N120M4S	94.0	480	12	120	509
12F48N140M4S	105.0	480	12	140	566
12F48N160M4S	121.0	480	12	160	624
12F48N180M4S	135.0	480	12	180	681
14F54N140M4S	118.0	480	14	140	637
14F54N160M4S	136.0	480	14	160	701
14F54N180M4S	152.0	480	14	180	766

Flanged Heaters

Type IF

WattDensity: 6

Gaumer Catalog Number	kW	Voltage (3 Ph)	Flange Size (Inches)	Immersed Length (in.)	Weight (lbs.)
14F60N33M2S	30.0	240	14	33	302
14F60N33M4S	30.0	480	14	33	302
14F60N40M2S	38.0	240	14	40	327
14F60N40M4S	38.0	480	14	40	327
14F60N48M2S	45.0	240	14	48	356
14F60N48M4S	45.0	480	14	48	356
14F60N52M2S	50.0	240	14	52	370
14F60N52M4S	50.0	480	14	52	370
14F60N64M2S	64.0	240	14	64	423
14F60N64M4S	64.0	480	14	64	423
14F60N77M2S	75.0	240	14	77	460
14F60N77M4S	75.0	480	14	77	460
14F60N88M4S	84.0	480	14	88	500
14F60N106M4S	95.0	480	14	106	567
14F60N120M4S	117.0	480	14	120	615
14F60N140M4S	131.0	480	14	140	687
14F60N160M4S	151.0	480	14	160	759
14F60N180M4S	169.0	480	14	180	831
14F72N33M2S	36.0	480	14	33	326
14F72N33M4S	36.0	480	14	33	326
14F72N40M4S	45.0	480	14	40	356
14F72N40M2S	45.0	480	14	40	356
14F72N48M4S	54.0	480	14	48	390
14F72N48M2S	54.0	480	14	48	390
14F72N52M2S	60.0	480	14	52	408
14F72N52M4S	60.0	480	14	52	408
14F72N64M4S	77.0	480	14	64	471
14F72N64M2S	77.0	480	14	64	471
14F72N77M4S	90.0	480	14	77	516
14F72N77M2S	90.0	480	14	77	516
14F72N88M4S	101.0	480	14	88	563
14F72N106M4S	113.0	480	14	106	644
14F72N120M4S	140.0	480	14	120	701
14F72N140M4S	158.0	480	14	140	788
14F72N160M4S	181.0	480	14	160	874
14F72N180M4S	203.0	480	14	180	961
16F84N140M4S	184.0	480	16	140	943
16F84N160M4S	210.0	480	16	160	1043
16F84N180M4S	237.0	480	16	180	1144
18F108N140M4S	237.0	480	18	140	1190
18F108N160M4S	271.0	480	18	160	1320
18F108N180M4S	304.0	480	18	180	1449
20F144N140M4S	315.0	480	20	140	1577
20F144N160M4S	361.0	480	20	160	1749
20F144N180M4S	405.0	480	20	180	1922
24F192N140M4S	420.0	480	24	140	2138
24F192N160M4S	482.0	480	24	160	2368
24F192N180M4S	540.0	480	24	180	2599

Flanged Heaters - Type IF

Rated 4/2 watts/sq.in.

APPLICATIONS

90 Watts Per Square Inch

For heating clean water only in commercial and/or residential applications. Element life is sacrificed in favor of a low initial heater cost.

60 and 45 Watts Per Square Inch

Industrial water heating - many aqueous solutions which are compatible with steel and Incoloy.

23 and 20 Watts Per Square Inch

For heat transfer oil, cleaners, high temperature air and gas heating.

15 and 12 Watts Per Square Inch

For lubricating oils, medium viscosity oils, high temperature air and gas heating.

8 and 6 Watts Per Square Inch

For #5 and #6 fuel oil heating, viscous materials, raw crude oil, residual oils, high temperature air and gas heating.

4 and 2 Watts Per Square Inch

For asphalt and other hard-to-heat substances, extra high temperature air and gas.

STANDARD FEATURES

Heating Elements

- Incoloy 800 Sheath Material
- Heavy Wall (.035 in.)
- Large diameter (.475 in.)
- Sealed Terminals

Spacers

- High Temp Alloy Material
- Rugged Design
- "Evenflow" Configuration

Construction

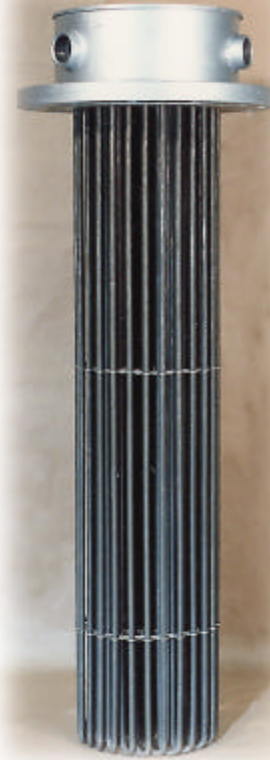
- Welded Heating Elements
- Welded Terminal Housing
- Welded Spacers

Installation

- Flying Leadwires Provided
- Only Standard Materials Needed in Field

Service

- Wiring Modifiable in Field
- Assembly Repairable at Factory



SPECIAL FEATURES

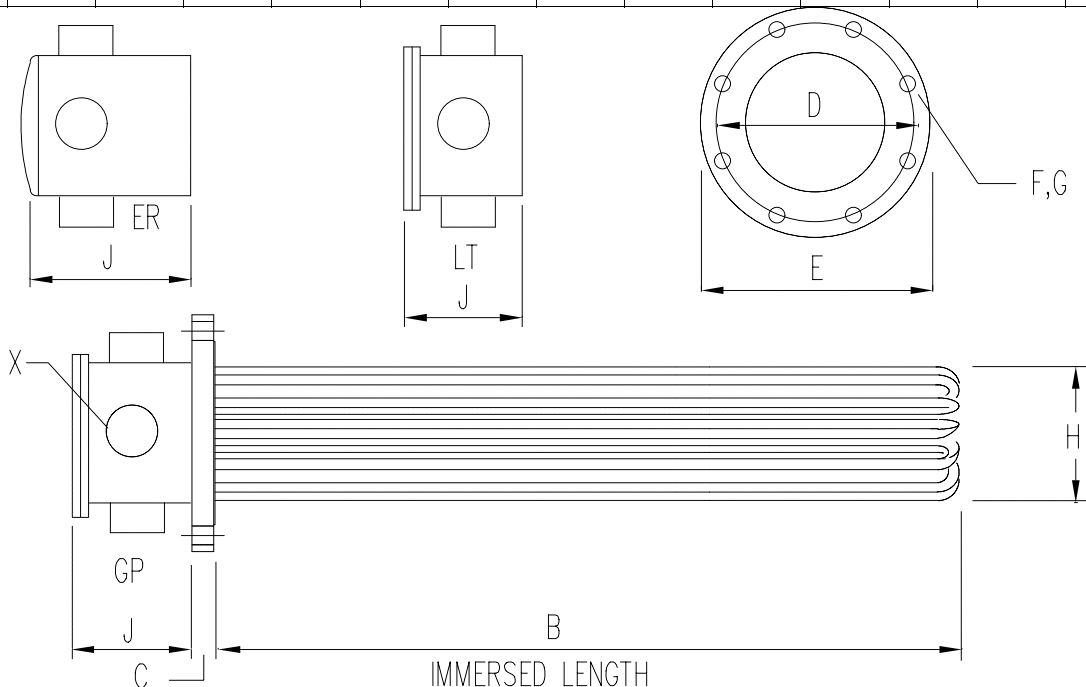
- ER Explosion Resistant Terminal Enclosure
- LT Moisture Resistant Terminal Enclosure
- J(K) Sheath Sensing Thermocouple attached to one element for overheat protection.
- S Stainless Steel Flange - Type 304
- SS Stainless Steel Flange - Type 316
- SpHtr Space Heater Mounted in Terminal Enclosure
- OSTHsg Offset (Spaced Away) Terminal Housing
- XX Special Feature not Listed Above
- 3(?)-(P/N) 300(?)# ANSI Flange

Flanged Heaters

Type IF

Gaumer Drawing No. IF-200 (Dimension Flange Heater Detail)

Flange Size (in)	Pressur Class (lb.)	Flange Dimensions (inches)			Hole Size F	No. of Holes G	Min. Hole Diam. H	Housing Height (inches)			X - No and Size Conduit Connection		
		C Thick	D Diam:	E Diam:				J GP:	J ER:	J LT:	GP:	ER:	LT:
2-1/2	150	7/8	5-1/2	7	3/4	4	2-1/4	2-5/8	5-1/2	2-5/8	1@1	2@1-1/4	1@1
2-1/2	300	1	5-7/8	7-1/2	7/8	8	2-1/4	2-5/8	5-1/2	2-5/8	1@1	2@1-1/4	1@1
3	150	0-15/16	6	7-1/2	3/4	4	2-3/4	2-5/8	5-1/2	2-5/8	1@1	2@1-1/4	1@1
3	300	1-1/8	6-5/8	8-1/4	7/8	8	2-3/4	2-5/8	5-1/2	2-5/8	1@1	2@1-1/4	1@1
4	150	0-15/16	7-1/2	9	3/4	8	3-13/16	5-1/2	6-1/2	5-1/2	4@1-1/2	2@1-1/2	4@1-1/2
4	300	1-1/4	7-7/8	10	7/8	8	3-13/16	5-1/2	6-1/2	5-1/2	4@1-1/2	2@1-1/2	4@1-1/2
5	150	0-15/16	8-1/2	10	7/8	8	4-13/16	5-1/2	6-1/2	5-1/2	4@1-1/2	2@1-1/2	4@1-1/2
5	300	1-3/8	9-1/4	11	7/8	8	4-13/16	5-1/2	6-1/2	5-1/2	4@1-1/2	2@1-1/2	4@1-1/2
6	150	1	9-1/2	11	7/8	8	5-3/4	5-1/2	8	5-1/2	4@1-1/2	4@1-1/2	4@1-1/2
6	300	1-7/16	10-5/8	12-1/2	7/8	12	5-3/4	5-1/2	8	5-1/2	4@1-1/2	4@1-1/2	4@1-1/2
8	150	1-1/8	11-3/4	13-1/2	7/8	8	7-13/16	5-1/2	9	5-1/2	4@1-1/2	4@1-1/2	4@1-1/2
8	300	1-5/8	13	15	1	12	7-13/16	5-1/2	9	5-1/2	4@1-1/2	4@1-1/2	4@1-1/2
10	150	1-3/16	14-1/4	16	1	12	9-5/8	7	11	7	4@2	4@2	4@2
10	300	1-7/8	15-1/4	17-1/2	1-1/8	16	9-5/8	7	11	7	4@2	4@2	4@2
12	150	1-1/4	17	19	1	12	11-5/8	7	11	7	4@2	4@2	4@2
12	300	2	17-3/4	20-1/2	1-1/4	16	11-5/8	7	11	7	4@2	4@2	4@2
14	150	1-3/8	18-3/4	21	1-1/8	12	12-1/2	7	11	7	4@2	4@2	4@2
14	300	2-1/8	20-1/4	23	1-1/4	20	12-1/2	7	11	7	4@2	4@2	4@2
16	150	1-7/16	21-1/4	23-1/2	1-1/8	16	14-1/2	9	13	9	4@2	4@2	4@2
16	300	2-1/4	22-1/2	25-1/2	1-3/8	20	14-1/2	9	13	9	4@2	4@2	4@2
18	150	1-9/16	22-3/4	25	1-1/4	16	16-3/8	9	13	9	4@2	4@2	4@2
18	300	2-3/8	24-3/4	28	1-3/8	24	16-3/8	9	13	9	4@2	4@2	4@2
20	150	1-11/16	25	27-1/2	1-1/4	20	18-5/16	9	13	9	4@2	4@2	4@2
20	300	2-1/2	27	30-1/2	1-3/8	24	18-5/16	9	13	9	4@2	4@2	4@2
24	150	1-7/8	29-1/2	32	1-3/8	20	22-1/8	11	15	11	6@2	6@2	6@2
24	300	2-3/4	32	36	1-5/8	24	22-1/8	11	15	11	6@2	6@2	6@2



Flanged Heaters

Type IF

WattDensity: 4

Gaumer Catalog Number	kW	Voltage (3 Ph)	Flange Size (Inches)	Immersed Length (in.)	Weight (lbs.)
2F3N13H4YD	0.4	240	2.5	13	13
2F3N18H4YD	0.5	240	2.5	18	14
2F3N20H4YD	0.6	240	2.5	20	15
2F3N25H4YD	0.8	240	2.5	25	16
2F3N33H4YD	1.0	240	2.5	33	17
2F3N40H4YD	1.3	240	2.5	40	18
2F3N48H4YD	1.5	240	2.5	48	19
2F3N61H4YD	2.1	240	2.5	61	22
2F3N78H4YD	2.8	240	2.5	78	25
2F3N88H4YD	3.1	240	2.5	88	27
2F3N106H4YD	3.5	240	2.5	106	30
2F3N106H4Y	13.9	480	2.5	106	30
2F3N120H4Y	3.8	240	2.5	120	33
2F3N120H4YD	3.8	240	2.5	120	33
2F3N140H4YD	4.4	240	2.5	140	36
2F3N160H4YD	5.0	240	2.5	160	40
2F3N180H4YD	5.6	240	2.5	180	43
3F3N13H4YD	0.4	240	3	13	17
3F3N18H4YD	0.5	240	3	18	18
3F3N20H4YD	0.6	240	3	20	19
3F3N25H4YD	0.8	240	3	25	20
3F3N33H4YD	1.0	240	3	33	21
3F3N40H4YD	1.3	240	3	40	22
3F3N48H4YD	1.5	240	3	48	23
3F3N61H4YD	2.1	240	3	61	26
3F3N78H4YD	2.8	240	3	78	29
3F3N88H4YD	3.1	240	3	88	31
3F3N106H4YD	3.5	240	3	106	34
3F3N120H4YD	3.8	240	3	120	37
3F3N140H4YD	4.4	240	3	140	40
3F3N160H4YD	5.0	240	3	160	44
3F3N180H4YD	5.6	240	3	180	47
4F6N13H4SY	0.7	480	4	13	31
4F6N18H4SY	1.0	480	4	18	32
4F6N20H4SY	1.3	480	4	20	33
4F6N25H4SY	1.5	480	4	25	35
4F6N33H4SY	2.0	480	4	33	38
4F6N40H4SY	2.5	480	4	40	40
4F6N48H4SY	3.0	480	4	48	43
4F6N61H4SY	4.2	480	4	61	48
4F6N78H4SY	5.6	480	4	78	54
4F6N88B4S	5.6	240	4	88	58
4F6N88H4SY	6.3	480	4	88	58
4F6N106H4SY	6.9	480	4	106	64
4F6N106B4S	7.0	240	4	106	64
4F6N120B4S	7.1	240	4	120	69
4F6N120H4SY	7.5	480	4	120	69
4F6N140H4SY	9.0	480	4	140	76
4F6N160H4SY	10.0	480	4	160	84

Flanged Heaters

Type IF

WattDensity: 4

Gaumer Catalog Number	kW	Voltage (3 Ph)	Flange Size (Inches)	Immersed Length (in.)	Weight (lbs.)
4F6N180H4SY	11.3	480	4	180	91
5F6N13H4SY	0.7	480	5	13	37
5F6N18H4SY	1.0	480	5	18	38
5F6N20H4SY	1.3	480	5	20	39
5F6N25H4SY	1.5	480	5	25	41
5F6N33H4SY	2.0	480	5	33	44
5F6N40H4SY	2.5	480	5	40	46
5F6N48H4SY	3.0	480	5	48	49
5F6N61H4SY	4.2	480	5	61	54
5F6N78H4SY	5.6	480	5	78	60
5F6N88H4SY	6.3	480	5	88	64
5F6N106H4SY	6.9	480	5	106	70
5F6N120H4SY	7.5	480	5	120	75
5F6N140H4SY	9.0	480	5	140	82
5F6N160H4SY	10.0	480	5	160	90
5F6N180H4SY	11.3	480	5	180	97
6F12N13H4SY	1.5	480	6	13	52
6F12N18H4SY	2.0	480	6	18	56
6F12N20H4SY	2.5	480	6	20	57
6F12N25H4SY	3.0	480	6	25	61
6F12N33H4SY	4.0	480	6	33	67
6F12N40H4SY	5.0	480	6	40	72
6F12N48H4SY	6.0	480	6	48	77
6F12N61H4SY	8.3	480	6	61	87
6F12N78H4SY	11.1	480	6	78	99
6F12N88B4D	45.0	240	6	88	106
6F12N106H4SY	15.0	480	6	106	119
6F12N120H4SY	15.0	480	6	120	129
6F12N140H4SY	18.0	480	6	140	144
6F12N160H4SY	20.0	480	6	160	158
6F12N180H4SY	23.0	480	6	180	173
8F18N13H4SY	2.2	480	8	13	84
8F24N13H4SY	3.0	480	8	13	89
8F18N18H4SY	3.0	480	8	18	89
8F24N18H4SY	4.0	480	8	18	96
8F18N20H4SY	3.8	480	8	20	92
8F24N20H4SY	5.0	480	8	20	99
8F18N25H4SY	4.5	480	8	25	97
8F24N25H4SY	6.0	480	8	25	106
8F18N33H4SY	6.0	480	8	33	106
8F24N33H4SY	8.0	480	8	33	118
8F18N40H4SY	7.5	480	8	40	113
8F24N40H4SY	10.0	480	8	40	128
8F18N48H4SY	9.0	480	8	48	121
8F24N48H4SY	12.0	480	8	48	138
8F18N61H4SY	12.5	480	8	61	136
8F24N61H4SY	17.0	480	8	61	158
8F18N78H4SY	17.0	480	8	78	154
8F24N78H4SY	22.0	480	8	78	182

Flanged Heaters

Type IF

WattDensity: 4

Gaumer Catalog Number	kW	Voltage (3 Ph)	Flange Size (Inches)	Immersed Length (in.)	Weight (lbs.)
8F18N88H4SY	19.0	480	8	88	165
8F24N88H4SY	25.0	480	8	88	197
8F18N106H4SY	21.0	480	8	106	184
8F24N106H4SY	28.0	480	8	106	223
8F18N120H4SY	23.0	480	8	120	200
8F24N120H4SY	30.0	480	8	120	243
8F18N140H4SY	26.0	480	8	140	221
8F24N140H4SY	35.0	480	8	140	272
8F18N160H4SY	30.0	480	8	160	243
8F24N160H4SY	40.0	480	8	160	300
8F18N180H4SY	34.0	480	8	180	264
8F24N180H4SY	45.0	480	8	180	329
10F36N78H4SY	33.0	480	10	78	268
10F36N88H4SY	37.0	480	10	88	290
10F36N106H4SY	42.0	480	10	106	329
10F36N120H4SY	45.0	480	10	120	359
10F36N140H4SY	53.0	480	10	140	402
10F36N160H4SY	60.0	480	10	160	446
10F36N180H4SY	68.0	480	10	180	489
12F48N52H4SY	24.0	480	12	52	313
12F48N61H4SY	33.0	480	12	61	339
12F48N78H4SY	45.0	480	12	78	388
12F48N88H4SY	54.0	480	12	88	416
12F48N106H4SY	56.0	480	12	106	468
12F48N120H4SY	60.0	480	12	120	509
12F48N140H4SY	70.0	480	12	140	566
12F48N160H4SY	80.0	480	12	160	624
12F48N180H4SY	90.0	480	12	180	681
14F54N52H4SY	27.0	480	14	52	351
14F60N52H4SY	30.0	480	14	52	370
14F72N52H4SY	36.0	480	14	52	408
14F54N61H4SY	38.0	480	14	61	381
14F60N61H4SY	42.0	480	14	61	403
14F72N61H4SY	50.0	480	14	61	447
14F54N78H4SY	50.0	480	14	78	436
14F60N78H4SY	56.0	480	14	78	464
14F72N78H4SY	67.0	480	14	78	520
14F54N88H4SY	56.0	480	14	88	468
14F60N88H4SY	63.0	480	14	88	500
14F72N88H4SY	75.0	480	14	88	563
14F54N106H4SY	63.0	480	14	106	526
14F60N106H4SY	70.0	480	14	106	565
14F72N106H4SY	83.0	480	14	106	641
14F54N120H4SY	68.0	480	14	120	572
14F60N120H4SY	75.0	480	14	120	615
14F72N120H4SY	90.0	480	14	120	701
14F54N140H4SY	79.0	480	14	140	637
14F60N140H4SY	88.0	480	14	140	687
14F72N140H4SY	105.0	480	14	140	788

Flanged Heaters

Type IF

WattDensity: 4

Gaumer Catalog Number	kW	Voltage (3 Ph)	Flange Size (Inches)	Immersed Length (in.)	Weight (lbs.)
14F54N160H4SY	91.0	480	14	160	701
14F60N160H4SY	101.0	480	14	160	759
14F72N160H4SY	121.0	480	14	160	874
14F54N180H4SY	102.0	480	14	180	766
14F60N180H4SY	113.0	480	14	180	831
14F72N180H4SY	135.0	480	14	180	961
16F84N106H4SY	97.0	480	16	106	771
16F84N120H4SY	105.0	480	16	120	842
16F84N140H4SY	123.0	480	16	140	943
16F84N160H4SY	141.0	480	16	160	1043
16F84N180H4SY	158.0	480	16	180	1144
18F108N106H4SY	125.0	480	18	106	970
18F108N106H4SY	125.0	480	18	106	970
18F108N120H4SY	135.0	480	18	120	1061
18F108N120H4SY	135.0	480	18	120	1061
18F108N140H4SY	158.0	480	18	140	1190
18F108N140H4SY	158.0	480	18	140	1190
18F108N160H4SY	182.0	480	18	160	1320
18F108N160H4SY	182.0	480	18	160	1320
18F108N180H4SY	203.0	480	18	180	1449
18F108N180H4SY	203.0	480	18	180	1449
20F144N106H4SY	168.0	480	20	106	1283
20F144N120H4SY	180.0	480	20	120	1404
20F144N140H4SY	210.0	480	20	140	1577
20F144N160H4SY	242.0	480	20	160	1749
20F144N180H4SY	270.0	480	20	180	1922
24F192N106H4SY	222.0	480	24	106	1746
24F192N120H4SY	240.0	480	24	120	1907
24F192N140H4SY	280.0	480	24	140	2138
24F192N160H4SY	323.0	480	24	160	2368
24F192N180H4SY	360.0	480	24	180	2599

WattDensity: 2

Gaumer Catalog Number	kW	Voltage (3 Ph)	Flange Size (Inches)	Immersed Length (in.)	Weight (lbs.)
2F3N18M4YD	0.3	240	2.5	18	14
2F3N20M4YD	0.3	240	2.5	20	15
2F3N25M4YD	0.4	240	2.5	25	16
2F3N33M4YD	0.5	240	2.5	33	17
2F3N40M4YD	0.6	240	2.5	40	18
2F3N48M4YD	0.8	240	2.5	48	20
2F3N52M4YD	0.8	240	2.5	52	20
2F3N64M4YD	1.1	240	2.5	64	23
2F3N77M4YD	1.3	240	2.5	77	25
2F3N88M4YD	1.4	240	2.5	88	27
2F3N106M4Y	1.6	240	2.5	106	30
2F3N106M4YD	1.6	240	2.5	106	30
2F3N120M4Y	2.0	240	2.5	120	33
2F3N120M4YD	2.0	240	2.5	120	33
2F3N140M4YD	2.2	240	2.5	140	36

Flanged Heaters

Type IF

WattDensity: 2

Gaumer Catalog Number	kW	Voltage (3 Ph)	Flange Size (Inches)	Immersed Length (in.)	Weight (lbs.)
2F3N140M4Y	8.8	480	2.5	140	36
2F3N160M4YD	2.5	240	2.5	160	40
2F3N160M4Y	10.0	480	2.5	160	40
3F3N18M4YD	0.3	240	3	18	18
3F3N20M4YD	0.3	240	3	20	19
3F3N25M4YD	0.4	240	3	25	20
3F3N33M4YD	0.5	240	3	33	21
3F3N40M4YD	0.6	240	3	40	22
3F3N48M4YD	3.3	240	3	48	24
3F3N52M4YD	0.8	240	3	52	24
3F3N64M4YD	1.0	240	3	64	27
3F3N77M4YD	1.3	240	3	77	29
3F3N88M4YD	1.4	240	3	88	31
3F3N106M4YD	1.6	240	3	106	34
3F3N120M4YD	1.9	240	3	120	37
3F3N140M4YD	2.2	240	3	140	40
3F3N160M4YD	2.5	240	3	160	44
3F3N180M4YD	3.0	240	3	180	47
4F6N18M4SY	0.5	480	4	18	32
4F6N20M4SY	0.6	480	4	20	33
4F6N25M4SY	0.7	480	4	25	35
4F6N33M4SY	1.0	480	4	33	38
4F6N40M4SY	1.2	480	4	40	40
4F6N48M4SY	1.5	480	4	48	43
4F6N52M4SY	1.7	480	4	52	45
4F6N64M4SY	2.1	480	4	64	50
4F6N88M4SY	2.8	480	4	88	58
4F6N106M4SY	3.1	480	4	106	64
4F6N120M4SY	4.0	480	4	120	69
4F6N140M4SY	4.4	480	4	140	76
4F6N160M4SY	5.0	480	4	160	84
4F6N180M4SY	5.6	480	4	180	91
5F6N18M4SY	0.5	480	5	18	38
5F6N20M4SY	0.6	480	5	20	39
5F6N25M4SY	0.7	480	5	25	41
5F6N33M4SY	1.0	480	5	33	44
5F6N40M4SY	1.2	480	5	40	46
5F6N48M4SY	1.5	480	5	48	49
5F6N52M4SY	1.7	480	5	52	51
5F6N64M4SY	2.1	480	5	64	56
5F6N77M4SY	2.5	480	5	77	60
5F6N88M4SY	2.8	480	5	88	64
5F6N106M4SY	3.1	480	5	106	70
5F6N120M4SY	4.0	480	5	120	75
5F6N140M4SY	4.4	480	5	140	82
5F6N160M4SY	5.0	480	5	160	90
5F6N180M4SY	5.6	480	5	180	97
6F12N18M4SY	1.0	480	6	18	56
6F12N20M4SY	1.2	480	6	20	57

Flanged Heaters

Type IF

WattDensity: 2

Gaumer Catalog Number	kW	Voltage (3 Ph)	Flange Size (Inches)	Immersed Length (in.)	Weight (lbs.)
6F12N25M4SY	1.5	480	6	25	61
6F12N33M4Y	2.0	240	6	33	67
6F12N33M4SY	2.0	480	6	33	67
6F12N40M4SY	2.5	480	6	40	72
6F12N48M4SY	3.0	480	6	48	78
6F12N52M4SY	3.3	480	6	52	80
6F12N64M4SY	4.2	480	6	64	91
6F12N77M4SY	5.0	480	6	77	98
6F12N88M4SY	5.6	480	6	88	106
6F12N106M4SY	6.3	480	6	106	120
6F12N120M4SY	7.8	480	6	120	129
6F12N140M4SY	9.0	480	6	140	144
6F12N160M4SY	10.0	480	6	160	158
6F12N180M4SY	11.0	480	6	180	173
8F18N33M4SY	3.0	480	8	33	106
8F24N33M4SY	4.0	480	8	33	118
8F18N40M4SY	3.7	480	8	40	113
8F24N40M4SY	5.0	480	8	40	128
8F18N48M4SY	4.5	480	8	48	122
8F24N48M4SY	6.0	480	8	48	139
8F18N52M4SY	5.0	480	8	52	126
8F24N52M4SY	6.7	480	8	52	145
8F18N64M4SY	6.4	480	8	64	142
8F24N64M4SY	8.5	480	8	64	166
8F18N77M4SY	7.5	480	8	77	153
8F24N77M4SY	10.0	480	8	77	181
8F18N88M4SY	8.4	480	8	88	165
8F24N88M4SY	11.2	480	8	88	197
8F18N106M4SY	9.4	480	8	106	185
8F24N106M4SY	13.0	480	8	106	224
8F18N120M4SY	11.7	480	8	120	200
8F24N120M4SY	16.0	480	8	120	243
8F18N140M4SY	13.0	480	8	140	221
8F24N140M4SY	18.0	480	8	140	272
8F18N160M4SY	15.0	480	8	160	243
8F24N160M4SY	20.0	480	8	160	300
8F18N180M4SY	17.0	480	8	180	264
8F24N180M4SY	23.0	480	8	180	329
10F36N40M4SY	7.5	480	10	40	186
10F36N48M4SY	9.0	480	10	48	204
10F36N52M4SY	10.0	480	10	52	212
10F36N64M4SY	13.0	480	10	64	244
10F36N77M4SY	15.0	480	10	77	266
10F36N88M4SY	17.0	480	10	88	290
10F36N106M4SY	19.0	480	10	106	330
10F36N120M4SY	24.0	480	10	120	359
10F36N140M4SY	27.0	480	10	140	402
10F36N160M4SY	30.0	480	10	160	446
10F36N180M4SY	34.0	480	10	180	489

Flanged Heaters

Type IF

WattDensity: 2

Gaumer Catalog Number	kW	Voltage (3 Ph)	Flange Size (Inches)	Immersed Length (in.)	Weight (lbs.)
12F48N33M4SY	8.0	480	12	33	258
12F48N40M4SY	10.0	480	12	40	278
12F48N48M4SY	12.0	480	12	48	301
12F48N52M4SY	13.0	480	12	52	313
12F48N64M4SY	17.0	480	12	64	355
12F48N77M4SY	20.0	480	12	77	385
12F48N88M4SY	22.0	480	12	88	416
12F48N106M4SY	25.0	480	12	106	470
12F48N120M4SY	31.0	480	12	120	509
12F48N140M4SY	35.0	480	12	140	566
12F48N160M4SY	40.0	480	12	160	624
12F48N180M4SY	45.0	480	12	180	681
14F60N33M4SY	10.0	480	14	33	302
14F72N33M4SY	12.0	480	14	33	326
14F60N40M4SY	12.5	480	14	40	327
14F72N40M4SY	15.0	480	14	40	356
14F60N48M4SY	15.0	480	14	48	356
14F72N48M4SY	18.0	480	14	48	390
14F60N52M4SY	17.0	480	14	52	370
14F72N52M4SY	20.0	480	14	52	408
14F60N64M4SY	22.0	480	14	64	423
14F72N64M4SY	26.0	480	14	64	471
14F60N77M4SY	25.0	480	14	77	460
14F72N77M4SY	30.0	480	14	77	516
14F60N88M4SY	28.0	480	14	88	500
14F72N88M4SY	34.0	480	14	88	563
14F60N106M4SY	32.0	480	14	106	567
14F72N106M4SY	38.0	480	14	106	644
14F60N120M4SY	39.0	480	14	120	615
14F72N120M4SY	47.0	480	14	120	701
14F54N140M4SY	40.0	480	14	140	637
14F60N140M4SY	44.0	480	14	140	687
14F72N140M4SY	53.0	480	14	140	788
14F54N160M4SY	45.0	480	14	160	701
14F60N160M4SY	51.0	480	14	160	759
14F72N160M4SY	60.0	480	14	160	874
14F54N180M4SY	51.0	480	14	180	766
14F60N180M4SY	56.0	480	14	180	831
14F72N180M4SY	68.0	480	14	180	961
16F84N140M4SY	62.0	480	16	140	943
16F84N160M4SY	70.0	480	16	160	1043
16F84N180M4SY	79.0	480	16	180	1144
18F108N140M4SY	79.0	480	18	140	1190
18F108N160M4SY	91.0	480	18	160	1320
18F108N180M4SY	101.0	480	18	180	1449
20F144N140M4SY	105.0	480	20	140	1577
20F144N160M4SY	121.0	480	20	160	1749
20F144N180M4SY	135.0	480	20	180	1922
24F192N140M4SY	140.0	480	24	140	2138

Flanged Heaters

Type IF

WattDensity: 2

Gaumer Catalog Number	kW	Voltage (3 Ph)	Flange Size (Inches)	Immersed Length (in.)	Weight (lbs.)
24F192N160M4SY	162.0	480	24	160	2368
24F192N180M4SY	180.0	480	24	180	2599

Screw Plug Heaters

Type 1P (1"NPT)

APPLICATIONS

90 Watts Per Square Inch

For heating clean water only in commercial and/or residential applications. Element life is sacrificed in favor of a low initial heater cost.

60 and 45 Watts Per Square Inch

Industrial water heating - many aqueous solutions which are compatible with steel and Incoloy.

23 and 20 Watts Per Square Inch

For heat transfer oil, cleaners, high temperature air and gas heating.

15 and 12 Watts Per Square Inch

For lubricating oils, medium viscosity oils, high temperature air and gas heating.

8 and 6 Watts Per Square Inch

For #5 and #6 fuel oil heating, viscous materials, raw crude oil, residual oils, high temperature air and gas heating.

STANDARD FEATURES

Heating Elements

- Incoloy 800 Sheath Material
- Heavy Wall (.028 in.)
- Medium diameter (.315 in.)
- Sealed Terminals

Screw Plug

- Solid Bar Stock Construction
- Type 304 Stainless Steel
- Precision Spaced and Drilled

Construction

- 100% Welded Heating Elements
- 100% Welded Terminal Housing
- 100% Welded Spacers and Brackets

Installation

- Flying Leadwires Provided
- Only Standard Materials Needed in Field

Service

- Wiring Modifiable in Field
- Assembly Repairable at Factory



SPECIAL FEATURES

- Single Pole Thermostat (A) 50-250°F
- Double Pole Thermostat (A1) 0-100°F, (A) 50-250°F, (A3) 150-550°F
- Over-Temp Cutout (C1) 225°F, (C2) 300°F, (C3) 535°F
- Explosion Resistant Terminal Enclosure
- Moisture Resistant Terminal Enclosure
- Sheath Sensing Type K(J) Thermocouple attached to one element for overheat protection.
- Type 316 Stainless Steel Screw Plug
- Terminal Housing Potted with Silicone
- Space Heater Mounted in Terminal Enclosure
- Offset (Spaced Away) Terminal Housing
- Other Features not Listed Above

Screw Plug Heaters

Type 1P (1"NPT)

Watt Density: 90

GaumerCatalog Number	kW	Volts	Ph	Quantity Elements	Immersed Length "B"	Weight (lbs.)
1P1N7T1	0.8	120	1	1	7	2
1P1N7T2	0.8	240	1	1	7	2
1P1N8T1	1.0	120	1	1	8	3
1P1N8T2	1.0	240	1	1	8	3
1P1N9T1	1.3	120	1	1	9	4
1P1N9T2	1.3	240	1	1	9	4
1P1N11T1	1.5	120	1	1	11	5
1P1N11T2	1.5	240	1	1	11	5
1P1N12T2	1.8	240	1	1	12	5
1P1N12T4	1.8	480	1	1	12	5
1P1N13T1	2.0	120	1	1	13	5
1P1N13T2	2.0	240	1	1	13	5
1P1N18T2	2.5	240	1	1	18	5
1P1N21T2	3.0	240	1	1	21	5
1P1N24T2	4.0	240	1	1	24	5
1P1N24T4	4.0	480	1	1	24	5
1P1N30T2	5.0	240	1	1	30	5
1P1N30T4	5.0	480	1	1	30	5
1P1N36T2	6.0	240	1	1	36	5
1P1N36T4	6.0	480	1	1	36	5
1P1N42T2	7.0	240	1	1	42	6
1P1N42T4	7.0	480	1	1	42	6
1P1N48T2	8.0	240	1	1	48	7
1P1N48T4	8.0	480	1	1	48	7
1P1N54T4	9.0	480	1	1	54	8
1P1N60T4	10.0	480	1	1	60	9
1P1N66T4	11.0	480	1	1	66	9
1P1N72T4	12.0	480	1	1	72	10
1P1N78T4	14.0	480	1	1	78	10
1P1N84T4	15.0	480	1	1	84	10
1P1N90T4	16.0	480	1	1	90	10
1P1N96T4	17.0	480	1	1	96	12

Watt Density: 60

GaumerCatalog Number	kW	Volts	Ph	Quantity Elements	Immersed Length "B"	Weight (lbs.)
1P1N12Q2	1.2	240	1	1	12	5
1P1N12Q4	1.2	480	1	1	12	5
1P1N18Q2	1.9	240	1	1	18	5
1P1N18Q4	1.9	480	1	1	18	5
1P1N24Q2	2.6	240	1	1	24	5
1P1N24Q4	2.6	480	1	1	24	5
1P1N30Q2	3.3	240	1	1	30	5
1P1N30Q4	3.3	480	1	1	30	5
1P1N36Q2	4.0	240	1	1	36	5
1P1N36Q4	4.0	480	1	1	36	5

Screw Plug Heaters

Type 1P (1"NPT)

Watt Density: 60

GaumerCatalog Number	kW	Volts	Ph	Quantity Elements	Immersed Length "B"	Weight (lbs.)
1P1N42Q2	4.8	240	1	1	42	6
1P1N42Q4	4.8	480	1	1	42	6
1P1N48Q2	5.5	240	1	1	48	7
1P1N48Q4	5.5	480	1	1	48	7
1P1N54Q2	6.0	240	1	1	54	8
1P1N54Q4	6.0	480	1	1	54	8
1P1N60Q2	6.9	240	1	1	60	9
1P1N60Q4	6.9	480	1	1	60	9
1P1N66Q2	7.6	240	1	1	66	9
1P1N66Q4	7.6	480	1	1	66	9
1P1N72Q2	8.4	240	1	1	72	10
1P1N72Q4	8.4	480	1	1	72	10
1P1N78Q2	9.3	240	1	1	78	10
1P1N78Q4	9.3	480	1	1	78	10
1P1N84Q2	10.0	240	1	1	84	10
1P1N84Q4	10.0	480	1	1	84	10
1P1N90Q2	10.8	240	1	1	90	10
1P1N90Q4	10.8	480	1	1	90	10
1P1N96Q2	11.5	240	1	1	96	12
1P1N96Q4	11.5	480	1	1	96	12

Watt Density: 23

GaumerCatalog Number	kW	Volts	Ph	Quantity Elements	Immersed Length "B"	Weight (lbs.)
1P1N9T4D	0.3	240	1	1	9	4
1P1N12T2D	0.5	120	1	1	12	5
1P1N12T4D	0.5	240	1	1	12	5
1P1N24T2D	1.0	120	1	1	24	5
1P1N24T4D	1.0	240	1	1	24	5
1P1N30T2D	1.3	120	1	1	30	5
1P1N30T4D	1.3	240	1	1	30	5
1P1N36T2D	1.5	120	1	1	36	5
1P1N36T4D	1.5	240	1	1	36	5
1P1N42T2D	1.8	120	1	1	42	6
1P1N42T4D	1.8	240	1	1	42	6
1P1N48T2D	2.0	120	1	1	48	7
1P1N48T4D	2.0	240	1	1	48	7
1P1N54T4D	2.3	240	1	1	54	8
1P1N60T4D	2.5	240	1	1	60	9
1P1N66T4D	2.8	240	1	1	66	9
1P1N72T4D	3.0	240	1	1	72	10
1P1N78T4D	3.5	240	1	1	78	10
1P1N84T4D	3.8	240	1	1	84	10
1P1N90T4D	4.0	240	1	1	90	10
1P1N96T4D	4.3	240	1	1	96	12

Screw Plug Heaters

Type 1P (1"NPT)

Watt Density: 15

GaumerCatalog Number	kW	Volts	Ph	Quantity Elements	Immersed Length "B"	Weight (lbs.)
1P1N12Q2D	0.3	120	1	1	12	5
1P1N12Q4D	0.3	240	1	1	12	5
1P1N18Q2D	0.5	120	1	1	18	5
1P1N18Q4D	0.5	240	1	1	18	5
1P1N24Q2D	0.7	120	1	1	24	5
1P1N24Q4D	0.7	240	1	1	24	5
1P1N30Q2D	0.8	120	1	1	30	5
1P1N30Q4D	0.8	240	1	1	30	5
1P1N36Q2D	1.0	120	1	1	36	5
1P1N36Q4D	1.0	240	1	1	36	5
1P1N42Q2D	1.2	120	1	1	42	6
1P1N42Q4D	1.2	240	1	1	42	6
1P1N48Q2D	1.4	120	1	1	48	7
1P1N48Q4D	1.4	240	1	1	48	7
1P1N54Q2D	1.5	120	1	1	54	8
1P1N54Q4D	1.5	240	1	1	54	8
1P1N60Q2D	1.7	120	1	1	60	9
1P1N60Q4D	1.7	240	1	1	60	9
1P1N66Q2D	1.9	120	1	1	66	9
1P1N66Q4D	1.9	240	1	1	66	9
1P1N72Q2D	2.0	120	1	1	72	10
1P1N72Q4D	2.0	240	1	1	72	10
1P1N78Q2D	2.3	120	1	1	78	10
1P1N78Q4D	2.3	240	1	1	78	10
1P1N84Q2D	2.5	120	1	1	84	10
1P1N84Q4D	2.5	240	1	1	84	10
1P1N90Q2D	2.7	120	1	1	90	10
1P1N90Q4D	2.7	240	1	1	90	10
1P1N96Q2D	2.9	120	1	1	96	12
1P1N96Q4D	2.9	240	1	1	96	12

Watt Density: 12

GaumerCatalog Number	kW	Volts	Ph	Quantity Elements	Immersed Length "B"	Weight (lbs.)
1P1N6W1	0.1	120	1	1	6	2
1P1N8W1	0.2	120	1	1	8	3
1P1N12W1	0.3	120	1	1	12	5
1P1N12W2	0.3	240	1	1	12	5
1P1N29W1	0.5	120	1	1	29	6

Watt Density: 6

GaumerCatalog Number	kW	Volts	Ph	Quantity Elements	Immersed Length "B"	Weight (lbs.)
1P1N12T4DD	0.1	120	1	1	12	5
1P1N24T4DD	0.3	120	1	1	24	5
1P1N30T4DD	0.3	120	1	1	30	5

Screw Plug Heaters

Type 1P (1"NPT)

Watt Density: 6

GaumerCatalog Number	kW	Volts	Ph	Quantity Elements	Immersed Length "B"	Weight (lbs.)
1P1N36T4DD	0.4	120	1	1	36	5
1P1N42T4DD	0.4	120	1	1	42	6
1P1N48T4DD	0.5	120	1	1	48	7
1P1N54T4DD	0.6	120	1	1	54	8
1P1N60T4DD	0.6	120	1	1	60	9
1P1N66T4DD	0.7	120	1	1	66	9
1P1N72T4DD	0.8	120	1	1	72	10
1P1N78T4DD	0.9	120	1	1	78	10
1P1N84T4DD	0.9	120	1	1	84	10
1P1N90T4DD	1.0	120	1	1	90	10
1P1N96T4DD	1.1	120	1	1	96	12

Screw Plug Heaters

Type 15P (1-1/2"NPT)

APPLICATIONS

90 Watts Per Square Inch

For heating clean water only in commercial and/or residential applications. Element life is sacrificed in favor of a low initial heater cost.

60 and 45 Watts Per Square Inch

Industrial water heating - many aqueous solutions which are compatible with steel and Incoloy.

23 and 20 Watts Per Square Inch

For heat transfer oil, cleaners, high temperature air and gas heating.

15 and 12 Watts Per Square Inch

For lubricating oils, medium viscosity oils, high temperature air and gas heating.

8 and 6 Watts Per Square Inch

For #5 and #6 fuel oil heating, viscous materials, raw crude oil, residual oils, high temperature air and gas heating.



STANDARD FEATURES

Heating Elements

- Incoloy 800 Sheath Material
- Heavy Wall (.028 in.)
- Medium diameter (.315 in.)
- Sealed Terminals

Screw Plug

- Solid Bar Stock Construction
- Type 304 Stainless Steel
- Precision Spaced and Drilled

Construction

- 100% Welded Heating Elements
- 100% Welded Terminal Housing
- 100% Welded Spacers and Brackets

Installation

- Flying Leadwires Provided
- Only Standard Materials Needed in Field

Service

- Wiring Modifiable in Field
- Assembly Repairable at Factory

SPECIAL FEATURES

- Single Pole Thermostat (A) 50-250°F
- Over-Temp Cutout (C1) 225°F, (C2) 300°F, (C3) 535
- Double Pole Thermostat (A1) 0-100°F, (A) 50-250°F, (A3) 150-550°F
- Explosion Resistant Terminal Enclosure
- Moisture Resistant Terminal Enclosure
- Sheath Sensing Type K(J) Thermocouple attached to one element for overheat protection.
- Type 316 Stainless Steel Screw Plug
- Terminal Housing Potted with Silicone
- Space Heater Mounted in Terminal Enclosure
- Offset (Spaced Away) Terminal Housing
- Other Features not Listed Above

Screw Plug Heaters

Type 15P (1-1/2"NPT)

Watt Density: 90

Catalog No.	kW	Volts	Ph	Quantity Elements	Immersed Length	Weight (lbs.)
15P2N7T1	1.5	120	1	2	7	4
15P2N7T2	1.5	240	1	2	7	4
15P3N7T1	2.3	120	1	3	7	4
15P3N7T2	2.3	240	1,3	3	7	4
15P2N8T1	2.0	120	1	2	8	5
15P2N8T2	2.0	240	1	2	8	5
15P3N8T1	3.0	120	1	3	8	5
15P3N8T2	3.0	240	1,3	3	8	5
15P2N9T1	2.5	120	1	2	9	6
15P2N9T2	2.5	240	1	2	9	6
15P3N9T2	4.5	240	1,3	3	9	6
15P2N11T1	3.0	120	1	2	11	7
15P2N11T2	3.0	240	1	2	11	7
15P3N11T2	4.5	240	1,3	3	11	8
15P2N12T2	3.6	240	1	2	12	8
15P2N12T4	3.6	480	1	2	12	8
15P3N12T2	5.4	240	1,3	3	12	8
15P3N12T4	5.4	480	3	3	12	8
15P2N13T1	4.0	120	1	2	13	7
15P2N13T2	4.0	240	1	2	13	7
15P3N13T2	6.0	240	1,3	3	13	8
15P2N18T2	5.0	240	1	2	18	7
15P3N18T2	7.5	240	1,3	3	18	8
15P2N21T2	6.0	240	1	2	21	7
15P3N21T2	9.0	240	1,3	3	21	8
15P2N24T2	8.0	240	1	2	24	7
15P2N24T4	8.0	480	1	2	24	7
15P3N24T2	12.0	240	1,3	3	24	8
15P3N24T4	12.0	480	3	3	24	8
15P2N30T2	10.0	240	1	2	30	9
15P2N30T4	10.0	480	1	2	30	9
15P3N30T2	15.0	240	1,3	3	30	11
15P3N30T4	15.0	480	3	3	30	11
15P2N36T2	12.0	240	1	2	36	7
15P2N36T4	12.0	480	1	2	36	7
15P3N36T2	18.0	240	1,3	3	36	8
15P3N36T4	18.0	480	3	3	36	8
15P2N42T2	14.0	240	1	2	42	7
15P2N42T4	14.0	480	1	2	42	7
15P3N42T2	21.0	240	1,3	3	42	8
15P3N42T4	21.0	480	3	3	42	8
15P2N48T2	16.0	240	1	2	48	7
15P2N48T4	16.0	480	1	2	48	7
15P3N48T2	24.0	240	1,3	3	48	8
15P3N48T4	24.0	480	3	3	48	8
15P2N54T4	18.0	480	1	2	54	7
15P3N54T4	27.0	480	3	3	54	8

Screw Plug Heaters

Type 15P (1-1/2"NPT)

Watt Density: 90

Catalog No.	kW	Volts	Ph	Quantity Elements	Immersed Length	Weight (lbs.)
15P2N60T4	20.0	480	1	2	60	7
15P3N60T4	30.0	480	3	3	60	8
15P2N66T4	22.0	480	1	2	66	7
15P3N66T4	33.0	480	3	3	66	8
15P2N72T4	24.0	480	1	2	72	7
15P3N72T4	36.0	480	3	3	72	8
15P2N78T4	28.0	480	1	2	78	9
15P3N78T4	42.0	480	3	3	78	11
15P2N84T4	30.0	480	1	2	84	12
15P3N84T4	45.0	480	3	3	84	12
15P2N90T4	32.0	480	1	2	90	13
15P3N90T4	48.0	480	3	3	90	13
15P2N96T4	34.0	480	1	2	96	14
15P3N96T4	51.0	480	3	3	96	14

Watt Density: 60

Catalog No.	kW	Volts	Ph	Quantity Elements	Immersed Length	Weight (lbs.)
15P2N12Q2	2.4	240	1	2	12	8
15P2N12Q4	2.4	480	1	2	12	8
15P3N12Q2	3.6	240	1,3	3	12	8
15P3N12Q4	3.6	480	3	3	12	8
15P2N18Q2	3.8	240	1	2	18	7
15P2N18Q4	3.8	480	1	2	18	7
15P3N18Q2	5.7	240	1,3	3	18	7
15P3N18Q4	5.7	480	3	3	18	7
15P2N24Q2	5.2	240	1	2	24	7
15P2N24Q4	5.2	480	1	2	24	7
15P3N24Q2	7.8	240	1,3	3	24	8
15P3N24Q4	7.8	480	3	3	24	8
15P2N30Q2	6.3	240	1	2	30	9
15P2N30Q4	6.3	480	1	2	30	9
15P3N30Q2	9.9	240	1,3	3	30	11
15P3N30Q4	9.9	480	3	3	30	11
15P2N36Q2	8.0	240	1	2	36	7
15P2N36Q4	8.0	480	1	2	36	7
15P3N36Q2	12.0	240	1,3	3	36	8
15P3N36Q4	12.0	480	3	3	36	8
15P2N42Q2	9.6	240	1	2	42	7
15P2N42Q4	9.6	480	1	2	42	7
15P3N42Q2	14.4	240	1,3	3	42	8
15P3N42Q4	14.4	480	3	3	42	8
15P2N48Q2	11.0	240	1	2	48	7
15P2N48Q4	11.0	480	1	2	48	7
15P3N48Q2	16.5	240	1,3	3	48	8
15P3N48Q4	16.5	480	3	3	48	8
15P2N54Q2	12.0	240	1	2	54	7

Screw Plug Heaters

Type 15P (1-1/2"NPT)

Watt Density: 60

Catalog No.	kW	Volts	Ph	Quantity Elements	Immersed Length	Weight (lbs.)
15P2N54Q4	12.0	480	1	2	54	7
15P3N54Q2	18.0	240	1,3	3	54	8
15P3N54Q4	18.0	480	3	3	54	8
15P2N60Q2	13.8	240	1	2	60	7
15P2N60Q4	13.8	480	1	2	60	7
15P3N60Q2	20.7	240	1,3	3	60	8
15P3N60Q4	20.7	480	3	3	60	8
15P2N66Q2	15.2	240	1	2	66	7
15P2N66Q4	15.2	480	1	2	66	7
15P3N66Q2	22.8	240	1,3	3	66	8
15P3N66Q4	22.8	480	3	3	66	8
15P2N72Q2	16.8	240	1	2	72	7
15P2N72Q4	16.8	480	1	2	72	7
15P3N72Q2	25.2	240	1,3	3	72	8
15P3N72Q4	25.2	480	3	3	72	8
15P2N78Q2	18.6	240	1	2	78	9
15P2N78Q4	18.6	480	1	2	78	9
15P3N78Q2	27.9	240	1,3	3	78	11
15P3N78Q4	27.9	480	3	3	78	11
15P2N84Q2	20.0	240	1	2	84	12
15P2N84Q4	20.0	480	1	2	84	12
15P3N84Q2	30.0	240	1,3	3	84	12
15P3N84Q4	30.0	480	3	3	84	12
15P2N90Q2	21.6	240	1	2	90	13
15P2N90Q4	21.6	480	1	2	90	13
15P3N90Q2	32.4	240	1,3	3	90	13
15P3N90Q4	32.4	480	3	3	90	13
15P2N96Q2	23.0	240	1	2	96	14
15P2N96Q4	23.0	480	1	2	96	14
15P3N96Q2	34.5	240	1,3	3	96	14
15P3N96Q4	34.5	480	3	3	96	14

Watt Density: 30

Catalog No.	kW	Volts	Ph	Quantity Elements	Immersed Length	Weight (lbs.)
15P3N12T2Y	1.8	240	3	3	12	8
15P3N12T4Y	1.8	480	3	3	12	8
15P3N24T2Y	4.0	240	3	3	24	8
15P3N24T4Y	4.0	480	3	3	24	8
15P3N30T2Y	5.0	240	3	3	30	11
15P3N30T4Y	5.0	480	3	3	30	11
15P3N36T2Y	6.0	240	3	3	36	8
15P3N36T4Y	6.0	480	3	3	36	8
15P3N42T2Y	7.0	240	3	3	42	8
15P3N42T4Y	7.0	480	3	3	42	8
15P3N48T2Y	8.0	240	3	3	48	8
15P3N48T4Y	8.0	480	3	3	48	8

Screw Plug Heaters

Type 15P (1-1/2"NPT)

Watt Density: 30

Catalog No.	kW	Volts	Ph	Quantity Elements	Immersed Length	Weight (lbs.)
15P3N54T4Y	9.0	480	3	3	54	8
15P3N60T4Y	10.0	480	3	3	60	8
15P3N66T4Y	11.0	480	3	3	66	8
15P3N72T4Y	12.0	480	3	3	72	8
15P3N78T4Y	14.0	480	3	3	78	11
15P3N84T4Y	15.0	480	3	3	84	12
15P3N90T4Y	16.0	480	3	3	90	13
15P3N96T4Y	17.0	480	3	3	96	14

Watt Density: 23

Catalog No.	kW	Volts	Ph	Quantity Elements	Immersed Length	Weight (lbs.)
15P3N7T2D	0.6	120	1	3	7	4
15P3N8T2D	0.8	120	1	3	8	5
15P3N8T2D	0.8	240	1,3	3	8	5
15P3N9T1D	0.9	120	1	3	9	6
15P3N9T2D	0.9	240	1,3	3	9	6
15P2N11T13	0.8	120	1	2	11	7
15P3N11T1D	1.1	120	1	3	11	8
15P3N11T2D	1.1	240	1,3	3	11	8
15P2N12T2D	0.9	120	1	2	12	7
15P2N12T2S	0.9	240	1	2	12	7
15P2N12T4S	0.9	480	1	2	12	7
15P3N12T2D	1.4	120	1	3	12	8
15P3N12T4D	1.4	240	1,3	3	12	8
15P3N13T2D	1.5	120	1	3	13	8
15P3N13T2D	1.5	240	1,3	3	13	8
15P3N18T2D	1.9	120	1	3	18	8
15P3N18T2D	1.9	240	1,3	3	18	8
15P3N21T2D	2.3	120	1	3	21	8
15P3N21T2D	2.3	240	1,3	3	21	8
15P2N24T2D	2.0	120	1	2	24	7
15P2N24T2S	2.0	240	1	2	24	7
15P2N24T4S	2.0	480	1	2	24	7
15P3N24T4D	3.0	240	1,3	3	24	8
15P2N30T2S	2.5	240	1	2	30	9
15P2N30T4S	2.5	480	1	2	30	9
15P3N30T4D	3.8	240	1,3	3	30	11
15P2N36T2S	3.0	240	1	2	36	7
15P2N36T4S	3.0	480	1	2	36	7
15P3N36T4D	4.5	240	1,3	3	36	8
15P2N42T2S	3.5	240	1	2	42	7
15P2N42T4S	3.5	480	1	2	42	7
15P3N42T4D	5.3	240	1,3	3	42	8
15P2N48T2S	4.0	240	1	2	48	7
15P2N48T4S	4.0	480	1	2	48	7
15P3N48T4D	6.0	240	1,3	3	48	8

Screw Plug Heaters

Type 15P (1-1/2"NPT)

Watt Density: 23

Catalog No.	kW	Volts	Ph	Quantity Elements	Immersed Length	Weight (lbs.)
15P2N54T4D	4.5	240	1	2	54	7
15P2N54T4S	4.5	480	1	2	54	7
15P3N54T4D	6.8	240	1,3	3	54	8
15P2N60T4D	5.0	240	1	2	60	7
15P2N60T4S	5.0	480	1	2	60	7
15P3N60T4D	7.5	240	1,3	3	60	8
15P2N66T4D	5.5	240	1	2	66	7
15P2N66T4S	5.5	480	1	2	66	7
15P3N66T4D	8.3	240	1,3	3	66	8
15P2N72T4D	6.0	240	1	2	72	7
15P2N72T4S	6.0	480	1	2	72	7
15P3N72T4D	9.0	240	1,3	3	72	8
15P2N78T4D	7.0	240	1	2	78	9
15P2N78T4S	7.0	480	1	2	78	9
15P3N78T4D	10.5	240	1,3	3	78	11
15P2N84T4D	7.5	240	1	2	84	12
15P2N84T4S	7.5	480	1	2	84	12
15P3N84T4D	11.3	240	1,3	3	84	12
15P2N90T4D	8.0	240	1	2	90	13
15P2N90T4S	8.0	480	1	2	90	13
15P3N90T4D	12.0	240	1,3	3	90	13
15P2N96T4D	8.5	240	1	2	96	14
15P2N96T4S	8.5	480	1	2	96	14
15P3N96T4D	12.8	240	1,3	3	96	14

Watt Density: 20

Catalog No.	kW	Volts	Ph	Quantity Elements	Immersed Length	Weight (lbs.)
15P3N12Q2Y	1.2	240	3	3	12	8
15P3N12Q4Y	1.2	480	3	3	12	8
15P3N18Q2Y	1.9	240	3	3	18	7
15P3N18Q4Y	1.9	480	3	3	18	7
15P3N24Q2Y	2.6	240	3	3	24	8
15P3N24Q4Y	2.6	480	3	3	24	8
15P3N30Q2Y	3.3	240	3	3	30	8
15P3N30Q4Y	3.3	480	3	3	30	8
15P3N36Q2Y	4.0	240	3	3	36	8
15P3N36Q4Y	4.0	480	3	3	36	8
15P3N42Q2Y	4.8	240	3	3	42	8
15P3N42Q4Y	4.8	480	3	3	42	8
15P3N48Q2Y	5.5	240	3	3	48	8
15P3N48Q4Y	5.5	480	3	3	48	8
15P3N54Q2Y	6.0	240	3	3	54	8
15P3N54Q4Y	6.0	480	3	3	54	8
15P3N60Q2Y	6.9	240	3	3	60	8
15P3N60Q4Y	6.9	480	3	3	60	8
15P3N66Q2Y	7.6	240	3	3	66	8

Screw Plug Heaters

Type 15P (1-1/2"NPT)

Watt Density: 20

Catalog No.	kW	Volts	Ph	Quantity Elements	Immersed Length	Weight (lbs.)
15P3N66Q4Y	7.6	480	3	3	66	8
15P3N72Q2Y	8.4	240	3	3	72	8
15P3N72Q4Y	8.4	480	3	3	72	8
15P3N78Q2Y	9.3	240	3	3	78	11
15P3N78Q4Y	9.3	480	3	3	78	11
15P3N84Q2Y	10.0	240	3	3	84	12
15P3N84Q4Y	10.0	480	3	3	84	12
15P3N90Q2Y	10.8	240	3	3	90	13
15P3N90Q4Y	10.8	480	3	3	90	13
15P3N96Q2Y	11.5	240	3	3	96	14
15P3N96Q4Y	11.5	480	3	3	96	14

Watt Density: 15

Catalog No.	kW	Volts	Ph	Quantity Elements	Immersed Length	Weight (lbs.)
15P2N12Q2D	0.6	120	1	2	12	8
15P2N12Q2S	0.6	240	1	2	12	8
15P2N12Q4S	0.6	480	1	2	12	8
15P3N12Q2D	0.9	120	1	3	12	8
15P3N12Q4D	0.9	240	1,3	3	12	8
15P2N18Q2D	1.0	120	1	2	18	7
15P2N18Q2S	1.0	240	1	2	18	7
15P2N18Q4S	1.0	480	1	2	18	7
15P3N18Q2D	1.4	120	1	3	18	7
15P3N18Q4D	1.4	240	1,3	3	18	7
15P2N24Q2D	1.3	120	1	2	24	7
15P2N24Q4D	1.3	240	1	2	24	7
15P2N24Q2S	1.3	240	1	2	24	7
15P2N24Q4S	1.3	480	1	2	24	7
15P3N24Q2D	2.0	120	1	3	24	8
15P3N24Q4D	2.0	240	1,3	3	24	8
15P2N30Q2D	1.7	120	1	2	30	9
15P2N30Q2S	1.7	240	1	2	30	9
15P2N30Q4S	1.7	480	1	2	30	9
15P3N30Q4D	2.5	240	1,3	3	30	11
15P2N36Q2D	2.0	120	1	2	36	7
15P2N36Q2S	2.0	240	1	2	36	7
15P2N36Q4S	2.0	480	1	2	36	7
15P3N36Q4D	3.0	240	1,3	3	36	8
15P2N42Q2S	2.4	240	1	2	42	7
15P2N42Q4S	2.4	480	1	2	42	7
15P3N42Q4D	3.6	240	1,3	3	42	8
15P2N48Q2S	2.8	240	1	2	48	7
15P2N48Q4S	2.8	480	1	2	48	7
15P3N48Q4D	4.1	240	1,3	3	48	8
15P2N54Q2S	3.0	240	1	2	54	7
15P2N54Q4S	3.0	480	1	2	54	7

Screw Plug Heaters

Type 15P (1-1/2"NPT)

Watt Density: 15

Catalog No.	kW	Volts	Ph	Quantity Elements	Immersed Length	Weight (lbs.)
15P3N54Q4D	4.5	240	1,3	3	54	8
15P2N60Q2S	3.5	240	1	2	60	7
15P2N60Q4S	3.5	480	1	2	60	7
15P3N60Q4D	5.2	240	1,3	3	60	8
15P2N66Q2S	3.8	240	1	2	66	7
15P2N66Q4S	3.8	480	1	2	66	7
15P3N66Q4D	5.7	240	1,3	3	66	8
15P2N72Q2S	4.2	240	1	2	72	7
15P2N72Q4S	4.2	480	1	2	72	7
15P3N72Q4D	6.3	240	1,3	3	72	8
15P2N78Q2S	4.7	240	1	2	78	9
15P2N78Q4S	4.7	480	1	2	78	9
15P3N78Q4D	7.0	240	1,3	3	78	11
15P2N84Q2S	5.0	240	1	2	84	12
15P2N84Q4S	5.0	480	1	2	84	12
15P3N84Q4D	7.5	240	1,3	3	84	12
15P2N90Q2S	5.4	240	1	2	90	13
15P2N90Q4S	5.4	480	1	2	90	13
15P3N90Q4D	8.1	240	1,3	3	90	13
15P2N96Q2S	5.8	240	1	2	96	12
15P2N96Q4S	5.8	480	1	2	96	12
15P3N96Q4D	8.6	240	1,3	3	96	14

Watt Density: 12

Catalog No.	kW	Volts	Ph	Quantity Elements	Immersed Length	Weight (lbs.)
15P2N6W1	0.3	120	1	2	6	4
15P3N6W1	0.4	120	1	3	6	4
15P3N6W2	0.4	240	1,3	3	6	4
15P2N8W1	0.4	120	1	2	8	5
15P3N8W1	0.5	120	1	3	8	5
15P3N8W2	0.5	240	1,3	3	8	5
15P2N12W1	0.5	120	1	2	12	7
15P2N12W2	0.5	240	1	2	12	7
15P3N12W1	0.8	120	1	3	12	8
15P3N12W2	0.8	240	1,3	3	12	8
15P2N29W1	1.0	120	1	2	29	9
15P3N29W1	1.5	120	1	3	29	11
15P3N29W2	1.5	240	1,3	3	29	11

Watt Density: 8

Catalog No.	kW	Volts	Ph	Quantity Elements	Immersed Length	Weight (lbs.)
15P3N12T4DY	0.5	240	3	3	12	8
15P3N24T4DY	1.0	240	3	3	24	8
15P3N30T4DY	1.3	240	3	3	30	11

Screw Plug Heaters

Type 15P (1-1/2"NPT)

Watt Density: 8

Catalog No.	kW	Volts	Ph	Quantity Elements	Immersed Length	Weight (lbs.)
15P3N36T4DY	1.5	240	3	3	36	8
15P3N42T4DY	1.8	240	3	3	42	8
15P3N48T4DY	2.0	240	3	3	48	8
15P3N54T4DY	2.3	240	3	3	54	8
15P3N60T4DY	2.5	240	3	3	60	8
15P3N66T4DY	2.8	240	3	3	66	8
15P3N72T4DY	3.0	240	3	3	72	8
15P3N78T4DY	3.5	240	3	3	78	11
15P3N84T4DY	3.8	240	3	3	84	12
15P3N90T4DY	4.0	240	3	3	90	13
15P3N96T4DY	4.3	240	3	3	96	14

Watt Density: 6

Catalog No.	kW	Volts	Ph	Quantity Elements	Immersed Length	Weight (lbs.)
15P2N12T2SD	0.2	120	1	2	12	7
15P2N12T4SD	0.2	240	1	2	12	7
15P3N12T4DD	0.3	120	1	3	12	8
15P2N24T2SD	0.5	120	1	2	24	7
15P2N24T4SD	0.5	240	1	2	24	7
15P3N24T4DD	0.8	120	1	3	24	8
15P2N30T2SD	0.6	120	1	2	30	9
15P2N30T4SD	0.6	240	1	2	30	9
15P3N30T4DD	0.9	120	1	3	30	8
15P2N36T2SD	0.8	120	1	2	36	7
15P2N36T4SD	0.8	240	1	2	36	7
15P3N36T4DD	1.1	120	1	3	36	11
15P2N42T2SD	0.9	120	1	2	42	7
15P2N42T4SD	0.9	240	1	2	42	7
15P3N42T4DD	1.3	120	1	3	42	8
15P2N48T2SD	1.0	120	1	2	48	7
15P2N48T4SD	1.0	240	1	2	48	7
15P3N48T4DD	1.5	120	1	3	48	8
15P2N54T4SD	1.1	240	1	2	54	7
15P3N54T4DD	1.7	120	1	3	54	8
15P2N60T4SD	1.3	240	1	2	60	7
15P3N60T4DD	1.9	120	1	3	60	8
15P2N66T4SD	1.4	240	1	2	66	7
15P3N66T4DD	2.0	120	1	3	66	8
15P2N72T4SD	1.5	240	1	2	72	7
15P2N78T4SD	1.8	240	1	2	78	9
15P2N84T4SD	1.9	240	1	2	84	12
15P2N90T4SD	2.0	240	1	2	90	13
15P2N96T4SD	2.1	240	1	2	96	14

GAUMER PROCESS

HEATERS
SYSTEMS
CONTROLS

Screw Plug Heaters

Type 2P - 2" NPT Plug

APPLICATIONS

90 Watts Per Square Inch

For heating clean water only in commercial and/or residential applications. Element life is sacrificed in favor of a low initial heater cost.

60 and 45 Watts Per Square Inch

Industrial water heating - many aqueous solutions which are compatible with steel and Incoloy.

23 and 20 Watts Per Square Inch

For heat transfer oil, cleaners, high temperature air and gas heating.

15 and 12 Watts Per Square Inch

For lubricating oils, medium viscosity oils, high temperature air and gas heating.

8 and 6 Watts Per Square Inch

For #5 and #6 fuel oil heating, viscous materials, raw crude oil, residual oils, high temperature air and gas heating.



STANDARD FEATURES

Heating Elements

- Incoloy 800 Sheath Material
- Heavy Wall (.035 in.)
- Large diameter (.475 in.)
- Sealed Terminals

Screw Plug

- Solid Bar Stock Construction
- Type 304 Stainless Steel
- Precision Spaced and Drilled

Spacers

- High Temp Alloy Material
- Rugged Design
- "Evenflow" Configuration

Construction

- Welded Heating Elements
- Welded Terminal Housing
- Welded Spacers

Installation

- Flying Leadwires Provided
- Only Standard Materials Needed in Field

Service

- Wiring Modifiable in Field
- Assembly Repairable at Factory

SPECIAL FEATURES

- Single Pole Thermostat (A) 50-250°F
- Over-Temp Cutout (C1) 225°F, (C2) 300°F, (C3) 535
- Double Pole Thermostat (A1) 0-100°F, (A) 50-250°F, (A3) 150-550°F
- Explosion Resistant Terminal Enclosure
- Moisture Resistant Terminal Enclosure
- Sheath Sensing Type K(J) Thermocouple attached to one element for overheat protection.
- Type 316 Stainless Steel Screw Plug
- Terminal Housing Potted with Silicone
- Space Heater Mounted in Terminal Enclosure
- Offset (Spaced Away) Terminal Housing
- Other Features not Listed Above

Screw Plug Heaters

Type 2P - 2" NPT Plug

Watt Density: 90

Gaumer Catalog Number	kW	Volts	Ph	Quantity Elements	Immersed Length	Weight (lbs.)
2P1N13M2U	3.0	480	1	1	13	8
2P1N17M2U	4.0	480	1	1	17	8
2P1N20M2U	5.0	480	1	1	20	8
2P2N13M2U	6.0	480	1	2	13	9
2P2N17M2U	8.0	480	1	2	17	9
2P2N20M2U	10.0	480	1	2	20	9
2P2N25M2U	12.0	480	1	2	25	10
2P2N32M2U	16.0	480	1	2	32	11
2P2N40M2U	20.0	480	1	2	40	12
2P2N47M2U	24.0	480	1	2	47	13
2P2N64M2U	33.2	480	1	2	64	15
2P2N76M2U	40.0	480	1	2	76	16
2P3N13M2U	8.8	480	1,3	3	13	10
2P3N17M2U	12.0	480	1,3	3	17	10
2P3N20M2U	14.8	480	1,3	3	20	11
2P3N25M2U	18.0	480	1,3	3	25	12
2P3N32M2U	24.0	480	1,3	3	32	13
2P3N40M2U	30.0	480	1,3	3	40	14
2P3N47M2U	36.0	480	1,3	3	47	16
2P3N64M2U	50.0	480	1,3	3	64	19
2P3N76M2U	60.0	480	1,3	3	76	21

Watt Density: 60

Gaumer Catalog Number	kW	Volts	Ph	Quantity Elements	Immersed Length	Weight (lbs.)
2P1N17B2	2.7	240	1	1	17	8
2P1N17B4	2.7	480	1	1	17	8
2P1N20B2	2.9	240	1	1	20	8
2P1N20B4	2.9	480	1	1	20	8
2P2N17B2	5.3	240	1	2	17	9
2P2N17B4	5.3	480	1	2	17	9
2P2N20B2	6.7	240	1	2	20	9
2P2N20B4	6.7	480	1	2	20	9
2P2N25B2	8.0	240	1	2	25	10
2P2N25B4	8.0	480	1	2	25	10
2P2N32B2	10.0	240	1	2	32	11
2P2N32B4	10.0	480	1	2	32	11
2P2N43B2	13.3	240	1	2	43	11
2P2N43B4	13.3	480	1	2	43	12
2P2N52B2	16.7	240	1	2	52	13
2P2N52B4	16.7	480	1	2	52	13
2P2N61B4	20.0	480	1	2	61	14
2P2N88B4	29.6	480	1	2	88	18
2P2N106B4	33.4	480	1	2	106	20
2P2N120B4	38.0	480	1	2	120	20
2P3N17B2	8.0	240	1,3	3	17	10
2P3N17B4	8.0	480	1,3	3	17	10

Screw Plug Heaters

Type 2P - 2" NPT Plug

Watt Density: 60

Gaumer Catalog Number	kW	Volts	Ph	Quantity Elements	Immersed Length	Weight (lbs.)
2P3N20B2	10.0	240	1,3	3	20	11
2P3N20B4	10.0	480	1,3	3	20	11
2P3N25B2	12.0	240	1,3	3	25	12
2P3N25B4	12.0	480	1,3	3	25	12
2P3N32B2	15.0	240	1,3	3	32	13
2P3N32B4	15.0	480	1,3	3	32	13
2P3N43B2	20.0	240	1,3	3	43	13
2P3N43B4	20.0	480	1,3	3	43	15
2P3N52B2	25.0	240	1,3	3	52	16
2P3N52B4	25.0	480	1,3	3	52	16
2P3N61B4	30.0	480	1,3	3	61	18
2P3N88B4	44.4	480	1,3	3	88	23
2P3N106B4	50.1	480	1,3	3	106	26
2P3N120B4	57.0	480	1,3	3	120	29

Watt Density: 45

Gaumer Catalog Number	kW	Volts	Ph	Quantity Elements	Immersed Length	Weight (lbs.)
2P1N13H2	1.5	240	1	1	13	8
2P1N13H4	1.5	480	1	1	13	8
2P1N17H2	2.0	240	1	1	17	8
2P1N17H4	2.0	480	1	1	17	8
2P1N20H2	2.5	240	1	1	20	8
2P1N20H4	2.5	480	1	1	20	8
2P2N13H2	3.0	240	1	2	13	9
2P2N13H4	3.0	480	1	2	13	9
2P2N17H2	4.0	240	1	2	17	9
2P2N17H4	4.0	480	1	2	17	9
2P2N20H2	5.0	240	1	2	20	9
2P2N20H4	5.0	480	1	2	20	9
2P2N25H2	6.0	240	1	2	25	10
2P2N25H4	6.0	480	1	2	25	10
2P2N32H2	8.0	240	1	2	32	11
2P2N32H4	8.0	480	1	2	32	11
2P2N40H2	10.0	240	1	2	40	12
2P2N40H4	10.0	480	1	2	40	12
2P2N47H2	12.0	240	1	2	47	13
2P2N47H4	12.0	480	1	2	47	13
2P2N61H4	16.7	480	1	2	61	14
2P2N78H4	22.2	480	1	2	78	16
2P2N88H4	25.0	480	1	2	88	18
2P2N106H4	27.8	480	1	2	106	20
2P2N120H4	30.0	480	1	2	120	21
2P2N140H4	35.0	480	1	2	140	24
2P2N160H4	40.0	480	1	2	160	26
2P2N180H4	45.0	480	1	2	180	29
2P3N13H2	4.5	240	1,3	3	13	9

Screw Plug Heaters

Type 2P - 2" NPT Plug

Watt Density: 45

Gaumer Catalog Number	kW	Volts	Ph	Quantity Elements	Immersed Length	Weight (lbs.)
2P3N13H4	4.5	480	1,3	3	13	9
2P3N17H2	6.0	240	1,3	3	17	10
2P3N17H4	6.0	480	1,3	3	17	10
2P3N20H2	7.5	240	1,3	3	20	11
2P3N20H4	7.5	480	1,3	3	20	11
2P3N25H2	9.0	240	1,3	3	25	12
2P3N25H4	9.0	480	1,3	3	25	12
2P3N32H2	12.0	240	1,3	3	32	13
2P3N32H4	12.0	480	1,3	3	32	13
2P3N40H2	15.0	240	1,3	3	40	19
2P3N40H4	15.0	480	1,3	3	40	14
2P3N47H2	18.0	240	1,3	3	47	16
2P3N47H4	18.0	480	1,3	3	47	15
2P3N61H4	25.0	480	1,3	3	61	18
2P3N78H4	33.3	480	1,3	3	78	21
2P3N88H4	37.5	480	1,3	3	88	23
2P3N106H4	41.7	480	1,3	3	106	26
2P3N120H4	45.0	480	1,3	3	120	29
2P3N140H4	52.5	480	3	3	140	32
2P3N160H4	60.0	480	3	3	160	36
2P3N180H4	67.5	480	3	3	180	39

Watt Density: 23

Gaumer Catalog Number	kW	Volts	Ph	Quantity Elements	Immersed Length	Weight (lbs.)
2P1N13M1	0.8	120	1	1	13	8
2P1N13M2	0.8	240	1	1	13	8
2P1N13M4	0.8	480	1	1	13	8
2P1N17M1	1.0	120	1	1	17	8
2P1N17M2	1.0	240	1	1	17	8
2P1N17M4	1.0	480	1	1	17	8
2P1N20M2	1.3	240	1	1	20	8
2P1N20M4	1.3	480	1	1	20	8
2P2N13M1	1.5	120	1	2	12	9
2P2N13M2	1.5	240	1	2	13	9
2P2N13M4	1.5	480	1	2	13	9
2P2N17M1	2.0	120	1	2	17	9
2P2N17M2	2.0	240	1	2	17	9
2P2N17M4	2.0	480	1	2	17	9
2P2N20M2	2.5	240	1	2	20	9
2P2N20M4	2.5	480	1	2	20	9
2P2N25M2	3.0	240	1	2	25	10
2P2N25M4	3.0	480	1	2	25	10
2P2N32M2	4.0	240	1	2	32	11
2P2N32M4	4.0	480	1	2	32	11
2P2N40M2	5.0	240	1	2	40	12
2P2N40M4	5.0	480	1	2	40	12

Screw Plug Heaters

Type 2P - 2" NPT Plug

Watt Density: 23

Gaumer Catalog Number	kW	Volts	Ph	Quantity Elements	Immersed Length	Weight (lbs.)
2P2N47M2	6.0	240	1	2	47	13
2P2N47M4	6.0	480	1	2	47	13
2P2N64M2	8.3	240	1	2	64	15
2P2N64M4	8.3	480	1	2	64	15
2P2N76M2	10.0	240	1	2	76	16
2P2N76M4	10.0	480	1	2	76	16
2P2N88M4	11.2	480	1	2	88	18
2P2N106M4	12.6	480	1	2	106	20
2P2N120M4	15.6	480	1	2	120	21
2P2N140M4	17.5	480	1	2	140	24
2P2N160M4	20.0	480	1	2	160	26
2P3N13M1	2.2	120	1	3	13	9
2P3N13M2	2.2	240	1,3	3	13	9
2P3N13M4	2.2	480	1,3	3	13	9
2P3N17M2	3.0	240	1,3	3	17	10
2P3N17M4	3.0	480	1,3	3	17	10
2P3N20M2	3.7	240	1,3	3	20	11
2P3N20M4	3.7	480	1,3	3	20	11
2P3N25M2	4.5	240	1,3	3	25	12
2P3N25M4	4.5	480	1,3	3	25	12
2P3N32M2	6.0	240	1,3	3	32	13
2P3N32M4	6.0	480	1,3	3	32	13
2P3N40M2	7.5	240	1,3	3	40	14
2P3N40M4	7.5	480	1,3	3	40	14
2P3N47M2	9.0	240	1,3	3	47	16
2P3N47M4	9.0	480	1,3	3	47	16
2P3N64M2	12.5	240	1,3	3	64	19
2P3N64M4	12.5	480	1,3	3	64	19
2P3N76M2	15.0	240	1,3	3	76	21
2P3N76M4	15.0	480	1,3	3	76	21
2P3N88M4	16.8	480	3	3	88	23
2P3N106M4	18.9	480	3	3	106	26
2P3N120M4	23.4	480	3	3	120	29
2P3N140M4	26.3	480	3	3	140	32
2P3N160M4	30.0	480	3	3	160	36

Watt Density: 20

Gaumer Catalog Number	kW	Volts	Ph	Quantity Elements	Immersed Length	Weight (lbs.)
2P3N18B2Y	2.7	240	3	3	18	10
2P3N18B4Y	2.7	480	3	3	18	10
2P3N20B2Y	2.9	240	3	3	20	11
2P3N20B4Y	2.9	480	3	3	20	11
2P3N25B2Y	4.0	240	3	3	25	12
2P3N25B4Y	4.0	480	3	3	25	12
2P3N33B2Y	5.0	240	3	3	33	13
2P3N33B4Y	5.0	480	3	3	33	13

Screw Plug Heaters

Type 2P - 2" NPT Plug

Watt Density: 20

Gaumer Catalog Number	kW	Volts	Ph	Quantity Elements	Immersed Length	Weight (lbs.)
2P3N43B2Y	6.7	240	3	3	43	13
2P3N43B4Y	6.7	480	3	3	43	15
2P3N52B2Y	8.3	240	3	3	52	15
2P3N52B4Y	8.3	480	3	3	52	16
2P3N61B2Y	10.0	240	3	3	61	18
2P3N61B4Y	10.0	480	3	3	61	18
2P3N88B4Y	14.8	480	3	3	88	23
2P3N106B4Y	16.7	480	3	3	106	26
2P3N120B4Y	19.0	480	3	3	120	29

Watt Density: 15

Gaumer Catalog Number	kW	Volts	Ph	Quantity Elements	Immersed Length	Weight (lbs.)
2P1N17B4D	0.6	240	1	1	17	8
2P1N20B4D	0.8	240	1	1	20	8
2P2N17B4D	1.3	240	1	2	17	9
2P2N17B4S	1.3	480	1	2	17	9
2P2N20B4S	1.5	480	1	2	20	9
2P2N20B4D	1.7	240	1	2	20	9
2P2N25B4D	2.0	240	1	2	25	10
2P2N25B4S	2.0	480	1	2	25	10
2P2N32B4D	2.5	240	1	2	32	11
2P2N32B4S	2.5	480	1	2	32	11
2P2N43B4D	3.3	240	1	2	43	12
2P2N43B4S	3.3	480	1	2	43	12
2P2N52B4D	4.1	240	1	2	47	13
2P2N52B4S	4.2	480	1	2	47	13
2P2N61B4D	5.0	240	1	2	61	14
2P2N61B4S	5.0	480	1	2	61	14
2P2N88B4D	7.4	240	1	2	88	18
2P2N88B4S	7.4	480	1	2	88	18
2P2N106B4D	8.4	240	1	2	106	20
2P2N106B4S	8.4	480	1	2	106	20
2P2N120B4D	9.5	240	1	2	120	20
2P2N120B4S	9.5	480	1	2	120	21
2P3N13H2Y	1.5	240	3	3	13	10
2P3N13H4Y	1.5	480	3	3	13	10
2P3N17B4D	2.0	240	1,3	3	17	10
2P3N17H2Y	2.0	240	3	3	17	10
2P3N17H4Y	2.0	480	3	3	17	10
2P3N20B4D	2.5	240	1,3	3	20	11
2P3N20H2Y	2.5	240	3	3	20	11
2P3N20H4Y	2.5	480	3	3	20	11
2P3N25B4D	3.0	240	1,3	3	25	12
2P3N25H2Y	3.0	240	3	3	25	12
2P3N25H4Y	3.0	480	3	3	25	12
2P3N32B4D	3.8	240	1,3	3	32	13

Screw Plug Heaters

Type 2P - 2" NPT Plug

Watt Density: 15

Gaumer Catalog Number	kW	Volts	Ph	Quantity Elements	Immersed Length	Weight (lbs.)
2P3N32H2Y	4.0	240	3	3	32	130
2P3N32H4Y	4.0	480	3	3	32	13
2P3N43B4D	5.0	240	1,3	3	40	15
2P3N40H2Y	5.0	240	3	3	40	19
2P3N40H4Y	5.0	480	3	3	40	14
2P3N47H2Y	6.0	240	3	3	47	16
2P3N47H4Y	6.0	480	3	3	47	16
2P3N52B4D	6.2	240	1,3	3	47	16
2P3N61B4D	7.5	240	1,3	3	61	18
2P3N61H2Y	8.3	240	3	3	61	18
2P3N61H4Y	8.3	480	3	3	61	18
2P3N78H2Y	11.1	240	3	3	78	21
2P3N78H4Y	11.1	480	3	3	78	21
2P3N88B4D	11.1	240	1,3	3	88	23
2P3N88H4Y	12.5	480	3	3	88	23
2P3N106B4D	12.6	240	1,3	3	106	26
2P3N106H4Y	13.9	480	3	3	106	26
2P3N120B4D	14.2	240	1,3	3	120	29
2P3N120H4Y	15.0	480	3	3	120	29

Watt Density: 12

Gaumer Catalog Number	kW	Volts	Ph	Quantity Elements	Immersed Length	Weight (lbs.)
2P1N13H4D	0.4	240	1	1	13	8
2P1N17H4D	0.5	240	1	1	17	8
2P1N20H4D	0.6	240	1	1	20	8
2P2N13H2S	0.8	240	1	2	13	10
2P2N17H2S	1.0	240	1	2	17	9
2P2N17H4S	1.0	480	1	2	17	9
2P2N20H2S	1.3	240	1	2	20	9
2P2N20H4S	1.3	480	1	2	20	9
2P2N25H2S	1.5	240	1	2	25	10
2P2N25H4S	1.5	480	1	2	25	10
2P2N32H2S	2.0	240	1	2	32	11
2P2N32H4S	2.0	480	1	2	32	11
2P2N40H2S	2.5	240	1	2	40	15
2P2N40H4S	2.5	480	1	2	40	12
2P2N47H1S	3.0	120	1	2	47	13
2P2N47H2S	3.0	240	1	2	47	13
2P2N47H4S	3.0	480	1	2	47	13
2P2N61H2S	4.2	240	1	2	61	14
2P2N61H4S	4.2	480	1	2	61	14
2P2N78H2S	5.6	240	1	2	78	16
2P2N78H4S	5.6	480	1	2	78	16
2P2N88H4S	6.3	480	1	2	88	18
2P2N106H4S	7.0	480	1	2	106	20
2P2N120H4S	7.5	480	1	2	120	21

Screw Plug Heaters

Type 2P - 2" NPT Plug

Watt Density: 12

Gaumer Catalog Number	kW	Volts	Ph	Quantity Elements	Immersed Length	Weight (lbs.)
2P3N13H2D	1.1	120	1	3	13	10
2P3N13H4D	1.1	240	1,3	3	13	10
2P3N18H2D	1.5	120	1	3	18	10
2P3N18H4D	1.5	240	1,3	3	18	10
2P3N20H2D	1.9	120	1	3	20	11
2P3N20H4D	1.9	240	1,3	3	20	11
2P3N25H2D	2.3	120	1	3	25	12
2P3N25H4D	2.3	240	1,3	3	25	12
2P3N33H2D	3.0	120	1	3	33	13
2P3N33H4D	3.0	240	1,3	3	33	13
2P3N40H2D	3.8	120	1	3	40	19
2P3N40H4D	3.8	240	1,3	3	40	14
2P3N48H2D	4.5	120	1	3	48	16
2P3N48H4D	4.5	240	1,3	3	48	15
2P3N61H4D	6.3	240	1,3	3	61	18
2P3N78H4D	8.3	240	1,3	3	78	21
2P3N88H4D	9.4	240	1,3	3	88	23
2P3N106H4D	10.4	240	1,3	3	106	26
2P3N120H4D	11.3	240	1,3	3	120	29

Watt Density: 8

Gaumer Catalog Number	kW	Volts	Ph	Quantity Elements	Immersed Length	Weight (lbs.)
2P3N13M2Y	0.7	240	3	3	13	10
2P3N13M4Y	0.7	480	3	3	13	10
2P3N17M2Y	1.0	240	3	3	17	9
2P3N17M4Y	1.0	480	3	3	17	9
2P3N20M2Y	1.2	240	3	3	20	11
2P3N20M4Y	1.2	480	3	3	20	11
2P3N25M2Y	1.5	240	3	3	25	12
2P3N25M4Y	1.5	480	3	3	25	12
2P3N32M2Y	2.0	240	3	3	32	13
2P3N32M4Y	2.0	480	3	3	32	13
2P3N40M2Y	2.5	240	3	3	40	14
2P3N40M4Y	2.5	480	3	3	40	14
2P3N47M2Y	3.0	240	3	3	47	16
2P3N47M4Y	3.0	480	3	3	47	16
2P3N64M2Y	4.2	240	3	3	64	19
2P3N64M4Y	4.2	480	3	3	64	19
2P3N76M2Y	5.0	240	3	3	76	21
2P3N76M4Y	5.0	480	3	3	76	21
2P3N88M4Y	5.2	480	3	3	88	23
2P3N106M4Y	6.3	480	3	3	106	26
2P3N120M4Y	7.8	480	3	3	120	29
2P3N140M4Y	8.8	480	3	3	140	32
2P3N160M4Y	10.0	480	3	3	160	36

Screw Plug Heaters

Type 2P - 2" NPT Plug

Watt Density: 6

Gaumer Catalog Number	kW	Volts	Ph	Quantity Elements	Immersed Length	Weight (lbs.)
2P1N13M2D	0.2	120	1	1	13	8
2P1N13M4D	0.2	240	1	1	13	8
2P1N17M2D	0.3	120	1	1	17	8
2P1N17M4D	0.3	240	1	1	17	8
2P1N20M2D	0.3	120	1	1	20	8
2P1N20M4D	0.3	240	1	1	20	8
2P2N13M1S	0.4	120	1	2	13	9
2P2N13M2S	0.4	240	1	2	13	9
2P2N13M4S	0.4	480	1	2	13	9
2P2N17M1S	0.5	120	1	2	17	9
2P2N17M2S	0.5	240	1	2	17	9
2P2N17M4S	0.5	480	1	2	17	9
2P2N20M1S	0.6	120	1	2	20	10
2P2N20M2S	0.6	240	1	2	20	9
2P2N20M4S	0.6	480	1	2	20	9
2P2N25M1S	0.8	120	1	2	25	10
2P2N25M2S	0.8	240	1	2	25	10
2P2N25M4S	0.8	480	1	2	25	10
2P2N32M1S	1.0	120	1	2	32	11
2P2N32M2S	1.0	240	1	2	32	11
2P2N32M4S	1.0	480	1	2	32	11
2P2N40M1S	1.3	120	1	2	40	12
2P2N40M2S	1.3	240	1	2	40	12
2P2N40M4S	1.3	480	1	2	40	12
2P2N47M1S	1.5	120	1	2	47	13
2P2N47M2S	1.5	240	1	2	47	13
2P2N47M4S	1.5	480	1	2	47	13
2P2N64M1S	2.1	120	1	2	64	15
2P2N64M2S	2.1	240	1	2	64	15
2P2N64M4S	2.1	480	1	2	64	15
2P2N76M1S	2.5	120	1	2	76	16
2P2N76M2S	2.5	240	1	2	76	16
2P2N76M4S	2.5	480	1	2	76	16
2P2N88M4S	2.8	480	1	2	88	18
2P2N106M4S	3.2	480	1	2	106	20
2P2N120M4S	3.9	480	1	2	120	21
2P3N18M2D	0.8	120	1	3	18	10
2P3N18M4D	0.8	240	1,3	3	18	10
2P3N20M2D	1.0	120	1	3	20	11
2P3N20M4D	1.0	240	1,3	3	20	11
2P3N25M2D	1.1	120	1	3	25	12
2P3N25M4D	1.1	240	1,3	3	25	12
2P3N33M2D	1.5	120	1	3	33	13
2P3N33M4D	1.5	240	1,3	3	33	13
2P3N40M2D	1.9	120	1	3	40	14
2P3N40M4D	1.9	240	1,3	3	40	14
2P3N48M2D	2.3	120	1	3	48	16
2P3N48M4D	2.3	240	1,3	3	48	16

Screw Plug Heaters

Type 2P - 2" NPT Plug

Watt Density: 6

Gaumer Catalog Number	kW	Volts	Ph	Quantity Elements	Immersed Length	Weight (lbs.)
2P3N52M2D	2.5	120	1	3	52	16
2P3N52M4D	2.5	240	1,3	3	52	16
2P3N64M2D	3.1	120	1	3	64	19
2P3N64M4D	3.1	240	1,3	3	64	19
2P3N77M2D	3.8	120	1	3	77	21
2P3N77M4D	3.8	240	1,3	3	77	21
2P3N88M4D	4.2	240	1,3	3	88	23
2P3N106M4D	4.7	240	1,3	3	106	26
2P3N120M4D	5.9	240	1,3	3	120	29

Watt Density: 4

Gaumer Catalog Number	kW	Volts	Ph	Quantity Elements	Immersed Length	Weight (lbs.)
2P3N13H4YD	0.4	240	3	3	13	10
2P3N18H4YD	0.5	240	3	3	18	10
2P3N20H4YD	0.6	240	3	3	20	11
2P3N25H4YD	0.8	240	3	3	25	12
2P3N33H4YD	1.0	240	3	3	33	13
2P3N40H4YD	1.3	240	3	3	40	14
2P3N48H4YD	1.5	240	3	3	48	15
2P3N61H4YD	2.1	240	3	3	61	18
2P3N78H4YD	2.8	240	3	3	78	21
2P3N88H4YD	3.1	240	3	3	88	23
2P3N106H4YD	3.5	240	3	3	106	26
2P3N120H4YD	3.8	240	3	3	120	29

Watt Density: 2

Gaumer Catalog Number	kW	Volts	Ph	Quantity Elements	Immersed Length	Weight (lbs.)
2P3N18M4YD	0.3	240	3	3	18	10
2P3N20M4YD	0.3	240	3	3	20	11
2P3N25M4YD	0.4	240	3	3	25	12
2P3N33M4YD	0.5	240	3	3	33	13
2P3N40M4YD	0.6	240	3	3	40	14
2P3N48M4YD	0.8	240	3	3	48	16
2P3N52M4YD	0.8	240	3	3	52	16
2P3N64M4YD	1.1	240	3	3	64	19
2P3N77M4YD	1.3	240	3	3	77	21
2P3N88M4YD	1.4	240	3	3	88	23
2P3N106M4YD	1.6	240	3	3	106	26
2P3N120M4YD	2.0	240	3	3	120	29
2P3N140M4YD	2.2	240	3	3	140	32
2P3N160M4YD	2.5	240	3	3	160	36

GAUMER PROCESS

HEATERS
SYSTEMS
CONTROLS

Screw Plug Heaters

Type 25P - 2-1/2" NPT Plug

APPLICATIONS

90 Watts Per Square Inch

For heating clean water only in commercial and/or residential applications. Element life is sacrificed in favor of a low initial heater cost.

60 and 45 Watts Per Square Inch

Industrial water heating - many aqueous solutions which are compatible with steel and Incoloy.

23 and 20 Watts Per Square Inch

For heat transfer oil, cleaners, high temperature air and gas heating.

15 and 12 Watts Per Square Inch

For lubricating oils, medium viscosity oils, high temperature air and gas heating.

8 and 6 Watts Per Square Inch

For #5 and #6 fuel oil heating, viscous materials, raw crude oil, residual oils, high temperature air and gas heating.



STANDARD FEATURES

Heating Elements

- Incoloy 800 Sheath Material
- Heavy Wall (.035 in.)
- Large diameter (.475 in.)
- Sealed Terminals

Screw Plug

- Solid Bar Stock Construction
- Type 304 Stainless Steel
- Precision Spaced and Drilled

Spacers

- High Temp Alloy Material
- Rugged Design
- "Evenflow" Configuration

Construction

- Welded Heating Elements
- Welded Terminal Housing
- Welded Spacers

Installation

- Flying Leadwires Provided
- Only Standard Materials Needed in Field

Service

- Wiring Modifiable in Field
- Assembly Repairable at Factory

SPECIAL FEATURES

- Single Pole Thermostat (A) 50-250°F
- Over-Temp Cutout (C1) 225°F, (C2) 300°F, (C3) 535
- Double Pole Thermostat (A1) 0-100°F, (A) 50-250°F, (A3) 150-550°F
- Explosion Resistant Terminal Enclosure
- Moisture Resistant Terminal Enclosure
- Sheath Sensing Type K(J) Thermocouple attached to one element for overheat protection.
- Type 316 Stainless Steel Screw Plug
- Terminal Housing Potted with Silicone
- Space Heater Mounted in Terminal Enclosure
- Offset (Spaced Away) Terminal Housing
- Other Features not Listed Above

Screw Plug Heaters

Type 2P - 2" NPT Plug

Watt Density: 90

Catalog Number	kW	Volts	Ph	Quantity Elements	Immersed Length "B"	Weight (lbs.)
25P3N13M2U	8.8	480	1,3	3	13	13
25P3N17M2U	12.0	480	1,3	3	17	14
25P3N20M2U	14.8	480	1,3	3	20	15
25P3N25M2U	18.0	480	1,3	3	25	16
25P3N32M2U	24.0	480	1,3	3	32	9
25P3N40M2U	30.0	480	1,3	3	40	14
25P3N47M2U	36.0	480	1,3	3	47	20
25P3N64M2U	50.0	480	1,3	3	64	23
25P3N76M2U	60.0	480	1,3	3	76	25

Watt Density: 60

Catalog Number	kW	Volts	Ph	Quantity Elements	Immersed Length "B"	Weight (lbs.)
25P3N17B2	8.0	240	1,3	3	17	7
25P3N17B4	8.0	480	1,3	3	17	7
25P3N20B2	10.0	240	1,3	3	20	15
25P3N20B4	10.0	480	1,3	3	20	15
25P3N25B2	12.0	240	1,3	3	25	16
25P3N25B4	12.0	480	1,3	3	25	16
25P3N32B2	15.0	240	1,3	3	32	9
25P3N32B4	15.0	480	1,3	3	32	9
25P3N43B2	20.0	240	1,3	3	43	18
25P3N43B4	20.0	480	1,3	3	43	18
25P3N52B2	25.0	240	1,3	3	47	20
25P3N52B4	25.0	480	1,3	3	47	20
25P3N61B4	30.0	480	1,3	3	61	22
25P3N106B4	50.1	480	1,3	3	106	30
25P3N120B4	57.0	480	1,3	3	120	33

Watt Density: 45

Catalog Number	kW	Volts	Ph	Quantity Elements	Immersed Length "B"	Weight (lbs.)
25P3N13H2	4.5	240	1,3	3	13	13
25P3N13H4	4.5	480	1,3	3	13	13
25P3N17H2	6.0	240	1,3	3	17	7
25P3N17H4	6.0	480	1,3	3	17	14
25P3N20H2	7.5	240	1,3	3	20	15
25P3N20H4	7.5	480	1,3	3	20	15
25P3N25H2	9.0	240	1,3	3	25	16
25P3N25H4	9.0	480	1,3	3	25	16
25P3N32H2	12.0	240	1,3	3	32	9
25P3N32H4	12.0	480	1,3	3	32	9
25P3N40H2	15.0	240	1,3	3	40	14
25P3N40H4	15.0	480	1,3	3	40	14
25P3N47H2	18.0	240	1,3	3	47	19
25P3N47H4	18.0	480	1,3	3	47	19

Screw Plug Heaters

Type 2P - 2" NPT Plug

Watt Density: 45

Catalog Number	kW	Volts	Ph	Quantity Elements	Immersed Length "B"	Weight (lbs.)
25P3N61H4	25.0	480	1,3	3	61	22
25P3N78H4	33.3	480	1,3	3	78	25
25P3N88B4	37.5	480	1,3	3	78	27
25P3N88H4	37.5	480	1,3	3	78	27
25P3N106H4	41.7	480	1,3	3	106	30
25P3N120H4	45.0	480	1,3	3	120	33

Watt Density: 23

Catalog Number	kW	Volts	Ph	Quantity Elements	Immersed Length "B"	Weight (lbs.)
25P3N13M1	2.2	120	1	3	13	13
25P3N13M2	2.2	240	1,3	3	13	13
25P3N13M4	2.2	480	1,3	3	13	13
25P3N17M2	3.0	240	1,3	3	17	7
25P3N17M4	3.0	480	1,3	3	17	7
25P3N20M2	3.7	240	1,3	3	20	15
25P3N20M4	3.7	480	1,3	3	20	15
25P3N25M2	4.5	240	1,3	3	25	16
25P3N25M4	4.5	480	1,3	3	25	16
25P3N32M2	6.0	240	1,3	3	32	9
25P3N32M4	6.0	480	1,3	3	32	9
25P3N40M2	7.5	240	1,3	3	40	14
25P3N40M4	7.5	480	1,3	3	40	14
25P3N47M2	9.0	240	1,3	3	47	19
25P3N47M4	9.0	480	1,3	3	47	19
25P3N64M2	12.5	240	1,3	3	64	23
25P3N64M4	12.5	480	1,3	3	64	23
25P3N76M2	15.0	240	1,3	3	76	25
25P3N76M4	15.0	480	1,3	3	76	25

Watt Density: 15

Catalog Number	kW	Volts	Ph	Quantity Elements	Immersed Length "B"	Weight (lbs.)
25P3N17B4D	2.0	240	1,3	3	17	7
25P3N20B4D	2.5	240	1,3	3	20	15
25P3N25B4D	3.0	240	1,3	3	25	16
25P3N32B4D	3.8	240	1,3	3	32	9
25P3N43B4D	5.0	240	1,3	3	43	18
25P3N52B4D	6.2	240	1,3	3	47	20
25P3N61B4D	7.5	240	1,3	3	61	22
25P3N106B4D	12.6	240	1,3	3	106	30
25P3N120B4D	14.2	240	1,3	3	120	33

Screw Plug Heaters

Type GRIN (Single End NPT Connection)
Type 2GRIN (Double End NPT Connection)
1/8", 1/4", 3/8", 1/2", 3/4" NPT

APPLICATIONS

45-75 Watts Per Square Inch

For heating clean water only in commercial and/or residential applications. Element life is sacrificed in favor of a low initial heater cost.

23-45 Watts Per Square Inch

Industrial water heating - many aqueous solutions which are compatible with Type 304 SS and Incoloy.

15-23 Watts Per Square Inch

For heat transfer oil, cleaners, high temperature air and gas heating.

12-15 Watts Per Square Inch

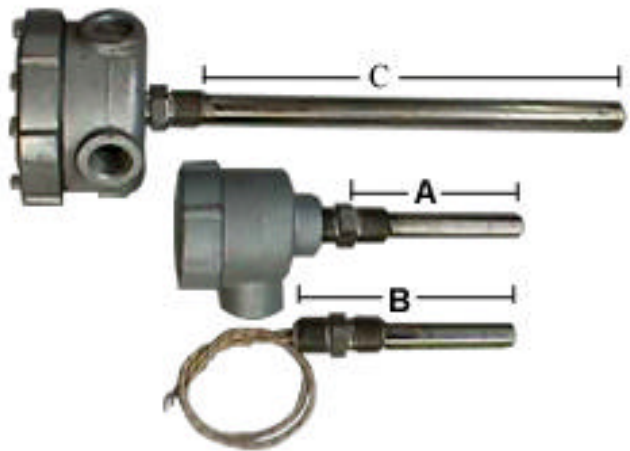
For lubricating oils, medium viscosity oils, high temperature air and gas heating.

6-12 Watts Per Square Inch

For #5 and #6 fuel oil heating, viscous materials, raw crude oil, residual oils, high temperature air and gas heating.

4-8 Watts Per Square Inch

For asphalt and other hard-to-heat substances, extra high temperature air and gas.



Type 2GRIN with Size 2 EP Enclosure
Type 2GRIN with Size 1 EP Enclosure
Type 2GRIN with No Enclosure

STANDARD FEATURES

Heating Element

- Type 304 Stainless Steel Sheath
- Flexible (unspliced) Leadwires
- Sealed Terminals

Screw Plug

- Solid Bar Stock Construction
- Type 304 Stainless Steel
- Precision Machined

Construction

- 100% Welded Heating Element

SPECIAL FEATURES

- ER1(2) Explosion Resistant Terminal Enclosure
- LT Moisture Resistant Terminal Enclosure
- K(J) Type K(J) Thermocouple attached to end disk for control or overheat protection.
- SS Type 316 Stainless Steel Screw Plug
- IS Incoloy 800 Sheath Material

Screw Plug Heaters

Type GRIN (Single End NPT Connection)

Type 2GRIN (Double End NPT Connection)

1/8", 1/4", 3/8", 1/2", 3/4" NPT

45 to 75 W/sq.in.

Type GRIN Single NPT Fitting		Type 2GRIN- Double NPT Fitting		Watts	Volts	Watt Dnsity	Heater Diam.	Lgth. Dim (C)	Plug Size	Weight
Catalog Number	Dim (A)	Catalog Number	Dim (B)							
GRIN-A122-150D	1.875	2GRIN-A122-150D	2.250	37.5	120	65	0.25	1-1/4	1/8 in. NPT	0.22
GRIN-A202-250D	2.625	2GRIN-A202-250D	3.000	62.5	120	54	0.25	2	1/8 in. NPT	0.23
GRIN-A301-125	3.625	2GRIN-A301-125	4.000	125	120	65	0.25	3	1/8 in. NPT	0.15
GRIN-A401-200	4.625	2GRIN-A401-200	5.000	200	120	74	0.25	4	1/8 in. NPT	0.17
GRIN-A402-200	4.625	2GRIN-A402-200	5.000	200	240	74	0.25	4	1/8 in. NPT	0.17
GRIN-A602-300	6.625	2GRIN-A602-300	7.000	300	240	71	0.25	6	1/8 in. NPT	0.20
GRIN-A802-400	8.625	2GRIN-A802-400	9.000	400	240	71	0.25	8	1/8 in. NPT	0.24
GRIN-B201-100	2.750	2GRIN-B201-100	3.375	100	120	57	0.375	2	1/4 in. NPT	0.25
GRIN-B202-100	2.750	2GRIN-B202-100	3.375	100	240	57	0.375	2	1/4 in. NPT	0.25
GRIN-B211-100	2.875	2GRIN-B211-100	3.500	100	120	55	0.375	2-1/8	1/4 in. NPT	0.26
GRIN-B302-150	3.750	2GRIN-B302-150	4.375	150	240	52	0.375	3	1/4 in. NPT	0.28
GRIN-B301-200	3.750	2GRIN-B301-200	4.375	200	120	69	0.375	3	1/4 in. NPT	0.28
GRIN-B302-200	3.750	2GRIN-B302-200	4.375	200	240	69	0.375	3	1/4 in. NPT	0.28
GRIN-B401-250	4.750	2GRIN-B401-250	5.375	250	120	62	0.375	4	1/4 in. NPT	0.31
GRIN-B402-250	4.750	2GRIN-B402-250	5.375	250	240	62	0.375	4	1/4 in. NPT	0.31
GRIN-B401-300	4.750	2GRIN-B401-300	5.375	300	120	74	0.375	4	1/4 in. NPT	0.31
GRIN-B402-300	4.750	2GRIN-B402-300	5.375	300	240	74	0.375	4	1/4 in. NPT	0.31
GRIN-B441-300	5.250	2GRIN-B441-300	5.875	300	120	65	0.375	4-1/2	1/4 in. NPT	0.32
GRIN-B442-300	5.250	2GRIN-B442-300	5.875	300	240	65	0.375	4-1/2	1/4 in. NPT	0.32
GRIN-B502-200	5.750	2GRIN-B502-200	6.375	200	240	38	0.375	5	1/4 in. NPT	0.34
GRIN-B502-1000D	5.750	2GRIN-B502-1000D	6.375	250	120	48	0.375	5	1/4 in. NPT	0.44
GRIN-B501-300	5.750	2GRIN-B501-300	6.375	300	120	58	0.375	5	1/4 in. NPT	0.34
GRIN-B602-350	6.750	2GRIN-B602-350	7.375	350	240	55	0.375	6	1/4 in. NPT	0.36
GRIN-B801-600	8.750	2GRIN-B801-600	9.375	600	120	69	0.375	8	1/4 in. NPT	0.42
GRIN-B802-600	8.750	2GRIN-B802-600	9.375	600	240	69	0.375	8	1/4 in. NPT	0.42
GRIN-B901-500	9.750	2GRIN-B901-500	10.375	500	120	52	0.375	9	1/4 in. NPT	0.44
GRIN-B1001-500	10.750	2GRIN-B1001-500	11.375	500	120	46	0.375	10	1/4 in. NPT	0.47
GRIN-B1002-500	10.750	2GRIN-B1002-500	11.375	500	240	46	0.375	10	1/4 in. NPT	0.47
GRIN-B1001-600	10.750	2GRIN-B1001-600	11.375	600	120	54	0.375	10	1/4 in. NPT	0.47
GRIN-B1002-600	10.750	2GRIN-B1002-600	11.375	600	240	54	0.375	10	1/4 in. NPT	0.47
GRIN-B1001-800	10.750	2GRIN-B1001-800	11.375	800	120	72	0.375	10	1/4 in. NPT	0.47
GRIN-B1002-800	10.750	2GRIN-B1002-800	11.375	800	240	73	0.375	10	1/4 in. NPT	0.47
GRIN-B1202-1000	12.750	2GRIN-B1202-1000	13.375	1000	240	75	0.375	12	1/4 in. NPT	0.52
GRIN-B1442-1000	14.750	2GRIN-B1442-1000	15.375	1000	240	65	0.375	14	1/4 in. NPT	0.58
GRIN-B1802-1000	18.750	2GRIN-B1802-1000	19.375	1000	240	51	0.375	18	1/4 in. NPT	0.69
GRIN-C101-50	1.750	2GRIN-C101-50	2.375	50	120	65	0.5	1	3/8 in. NPT	0.35
GRIN-C202-150	2.750	2GRIN-C202-150	3.375	150	240	54	0.5	2	3/8 in. NPT	0.38
GRIN-C221-200	3.000	2GRIN-C221-200	3.625	200	120	74	0.5	2-1/4	3/8 in. NPT	0.39
GRIN-C301-250	3.750	2GRIN-C301-250	4.375	250	120	64	0.5	3	3/8 in. NPT	0.42
GRIN-C302-250	3.750	2GRIN-C302-250	4.375	250	240	64	0.5	3	3/8 in. NPT	0.42
GRIN-C402-250	4.750	2GRIN-C402-250	5.375	250	240	46	0.5	4	3/8 in. NPT	0.46
GRIN-C401-300	4.750	2GRIN-C401-300	5.375	300	120	56	0.5	4	3/8 in. NPT	0.46
GRIN-C402-300	4.750	2GRIN-C402-300	5.375	300	240	56	0.5	4	3/8 in. NPT	0.46
GRIN-C401-400	4.750	2GRIN-C401-400	5.375	400	120	74	0.5	4	3/8 in. NPT	0.46
GRIN-C402-400	4.750	2GRIN-C402-400	5.375	400	240	74	0.5	4	3/8 in. NPT	0.46

Screw Plug Heaters

Type GRIN (Single End NPT Connection)

Type 2GRIN (Double End NPT Connection)

1/8", 1/4", 3/8", 1/2", 3/4" NPT

45 to 75 W/sq.in.

Type GRIN Single NPT Fitting		Type 2GRIN- Double NPT Fitting		Watts	Volts	Watt Dnsity	Heater Diam.	Lgth. Dim (C)	Plug Size	Weight
Catalog Number	Dim (A)	Catalog Number	Dim (B)							
GRIN-C501-350	5.750	2GRIN-C501-350	6.375	350	120	50	0.5	5	3/8 in. NPT	0.50
GRIN-C501-500	5.750	2GRIN-C501-500	6.375	500	120	72	0.5	5	3/8 in. NPT	0.50
GRIN-C502-500	5.750	2GRIN-C502-500	6.375	500	240	72	0.5	5	3/8 in. NPT	0.50
GRIN-C604-500	6.750	2GRIN-C604-500	7.375	500	480	59	0.5	6	3/8 in. NPT	0.53
GRIN-C631-500	7.125	2GRIN-C631-500	7.750	500	120	55	0.5	6-3/8	3/8 in. NPT	0.55
GRIN-C701-500	7.750	2GRIN-C701-500	8.375	500	120	50	0.5	7	3/8 in. NPT	0.57
GRIN-C702-500	7.750	2GRIN-C702-500	8.375	500	240	50	0.5	7	3/8 in. NPT	0.57
GRIN-C701-600	7.750	2GRIN-C701-600	8.375	600	120	60	0.5	7	3/8 in. NPT	0.57
GRIN-C702-600	7.750	2GRIN-C702-600	8.375	600	240	60	0.5	7	3/8 in. NPT	0.57
GRIN-C802-600	8.750	2GRIN-C802-600	9.375	600	240	52	0.5	8	3/8 in. NPT	0.61
GRIN-C802-700	8.750	2GRIN-C802-700	9.375	700	240	59	0.5	8	3/8 in. NPT	0.61
GRIN-C801-800	8.750	2GRIN-C801-800	9.375	800	120	69	0.5	8	3/8 in. NPT	0.61
GRIN-C1001-750	10.750	2GRIN-C1001-750	11.375	750	120	51	0.5	10	3/8 in. NPT	0.69
GRIN-C1002-750	10.750	2GRIN-C1002-750	11.375	750	240	51	0.5	10	3/8 in. NPT	0.69
GRIN-C1001-1000	10.750	2GRIN-C1001-1000	11.375	1000	120	68	0.5	10	3/8 in. NPT	0.69
GRIN-C1002-1000	10.750	2GRIN-C1002-1000	11.375	1000	240	68	0.5	10	3/8 in. NPT	0.69
GRIN-C1162-1000	12.500	2GRIN-C1162-1000	13.125	1000	240	56	0.5	11-3/4	3/8 in. NPT	0.75
GRIN-C1201-1200	12.750	2GRIN-C1201-1200	13.375	1200	120	67	0.5	12	3/8 in. NPT	0.77
GRIN-C1402-1000	14.750	2GRIN-C1402-1000	15.375	1000	240	48	0.5	14	3/8 in. NPT	0.85
GRIN-C1502-1500	15.750	2GRIN-C1502-1500	16.375	1500	240	66	0.5	15	3/8 in. NPT	0.88
GRIN-C1602-1500	16.750	2GRIN-C1602-1500	17.375	1500	240	61	0.5	16	3/8 in. NPT	0.93
GRIN-C1802-1700	18.750	2GRIN-C1802-1700	19.375	1700	240	62	0.5	18	3/8 in. NPT	1.00
GRIN-D201-200	3.125	2GRIN-D201-200	4.000	200	120	68	0.625	2	1/2 in. NPT	0.51
GRIN-D221-250	3.375	2GRIN-D221-250	4.250	250	120	73	0.625	2-1/4	1/2 in. NPT	0.54
GRIN-D222-250	3.375	2GRIN-D222-250	4.250	250	240	73	0.625	2-1/4	1/2 in. NPT	0.54
GRIN-D232-180	3.500	2GRIN-D232-180	4.375	180	240	49	0.625	2-3/8	1/2 in. NPT	0.55
GRIN-D242-280	3.625	2GRIN-D242-280	4.500	280	240	73	0.625	2-1/2	1/2 in. NPT	0.56
GRIN-D301-250	4.125	2GRIN-D301-250	5.000	250	120	51	0.625	3	1/2 in. NPT	0.58
GRIN-D302-250	4.125	2GRIN-D302-250	5.000	250	240	51	0.625	3	1/2 in. NPT	0.58
GRIN-D401-500	5.125	2GRIN-D401-500	6.000	500	120	74	0.625	4	1/2 in. NPT	0.64
GRIN-D402-500	5.125	2GRIN-D402-500	6.000	500	240	73	0.625	4	1/2 in. NPT	0.64
GRIN-D502-500	6.125	2GRIN-D502-500	7.000	500	240	57	0.625	5	1/2 in. NPT	0.70
GRIN-D602-500	7.125	2GRIN-D602-500	8.000	500	240	47	0.625	6	1/2 in. NPT	0.76
GRIN-D602-750	7.125	2GRIN-D602-750	8.000	750	240	70	0.625	6	1/2 in. NPT	0.76
GRIN-D802-1000	9.125	2GRIN-D802-1000	10.000	1000	240	68	0.625	8	1/2 in. NPT	0.88
GRIN-D1002-1000	11.125	2GRIN-D1002-1000	12.000	1000	240	54	0.625	10	1/2 in. NPT	1.00
GRIN-D1102-1000	12.125	2GRIN-D1102-1000	13.000	1000	240	49	0.625	11	1/2 in. NPT	1.06
GRIN-D1202-1500	13.125	2GRIN-D1202-1500	14.000	1500	240	67	0.625	12	1/2 in. NPT	1.12
GRIN-E221-200	3.312	2GRIN-E221-200	4.250	200	120	49	0.75	2-1/4	3/4 in. NPT	0.73
GRIN-E232-200	3.437	2GRIN-E232-200	4.375	200	240	49	0.75	2-3/8	3/4 in. NPT	0.74
GRIN-E341-300	4.562	2GRIN-E341-300	5.500	300	120	51	0.75	3-1/2	3/4 in. NPT	0.80
GRIN-E402-400	5.062	2GRIN-E402-400	6.000	400	240	49	0.75	4	3/4 in. NPT	0.84
GRIN-E402-500	5.062	2GRIN-E402-500	6.000	500	240	61	0.75	4	3/4 in. NPT	0.84
GRIN-E502-500	6.062	2GRIN-E502-500	7.000	500	240	47	0.75	5	3/4 in. NPT	0.93
GRIN-E602-750	7.062	2GRIN-E602-750	8.000	750	240	59	0.75	6	3/4 in. NPT	1.01

Screw Plug Heaters

Type GRIN (Single End NPT Connection)

Type 2GRIN (Double End NPT Connection)

1/8", 1/4", 3/8", 1/2", 3/4" NPT

45 to 75 W/sq.in.

Type GRIN Single NPT Fitting		Type 2GRIN- Double NPT Fitting		Watts	Volts	Watt Dnsity	Heater Diam.	Lgth. Dim (C)	Plug Size	Weight
Catalog Number	Dim (A)	Catalog Number	Dim (B)							
GRIN-E702-1000	8.062	2GRIN-E702-1000	9.000	1000	240	66	0.75	7	3/4 in. NPT	1.10
GRIN-E802-1000	9.062	2GRIN-E802-1000	10.000	1000	240	57	0.75	8	3/4 in. NPT	1.18
GRIN-E1202-1400	13.062	2GRIN-E1202-1400	14.000	1400	240	52	0.75	12	3/4 in. NPT	1.52
GRIN-E1202-2000	13.062	2GRIN-E1202-2000	14.000	2000	240	74	0.75	12	3/4 in. NPT	1.52
GRIN-E1602-1800	17.062	2GRIN-E1602-1800	18.000	1800	240	49	0.75	16	3/4 in. NPT	1.86
GRIN-E1802-2000	19.062	2GRIN-E1802-2000	20.000	2000	240	49	0.75	18	3/4 in. NPT	2.03
GRIN-E2002-2300	21.062	2GRIN-E2002-2300	22.000	2300	240	52	0.75	20	3/4 in. NPT	2.20
GRIN-E2402-2550	25.062	2GRIN-E2402-2550	26.000	2550	240	47	0.75	24	3/4 in. NPT	2.54

23 to 45 W/sq.in.

Type GRIN Single NPT Fitting		Type 2GRIN- Double NPT Fitting		Watts	Volts	Watt Dnsity	Heater Diam.	Lgth. Dim (C)	Plug Size	Weight
Catalog Number	Dim (A)	Catalog Number	Dim (B)							
GRIN-A202-150D	2.625	2GRIN-A202-150D	3.000	37.5	120	33	0.25	2	1/8 in. NPT	0.23
GRIN-A202-200D	2.625	2GRIN-A202-200D	3.000	50	120	43	0.25	2	1/8 in. NPT	0.23
GRIN-A302-200D	3.625	2GRIN-A302-200D	4.000	50	120	26	0.25	3	1/8 in. NPT	0.25
GRIN-A302-300D	3.625	2GRIN-A302-300D	4.000	75	120	39	0.25	3	1/8 in. NPT	0.25
GRIN-A402-300D	4.625	2GRIN-A402-300D	5.000	75	120	28	0.25	4	1/8 in. NPT	0.27
GRIN-A401-100	4.625	2GRIN-A401-100	5.000	100	120	37	0.25	4	1/8 in. NPT	0.17
GRIN-A502-350D	5.625	2GRIN-A502-350D	6.000	87.5	120	25	0.25	5	1/8 in. NPT	0.29
GRIN-A501-120	5.625	2GRIN-A501-120	6.000	120	120	34	0.25	5	1/8 in. NPT	0.19
GRIN-A602-400D	6.625	2GRIN-A602-400D	7.000	100	120	24	0.25	6	1/8 in. NPT	0.30
GRIN-B122-150D	2.000	2GRIN-B122-150D	2.625	37.5	120	43	0.375	1-1/4	1/4 in. NPT	0.34
GRIN-B142-150D	2.250	2GRIN-B142-150D	2.875	37.5	120	32	0.375	1-1/2	1/4 in. NPT	0.35
GRIN-B202-250D	2.750	2GRIN-B202-250D	3.375	62.5	120	36	0.375	2	1/4 in. NPT	0.35
GRIN-B242-250D	3.250	2GRIN-B242-250D	3.875	62.5	120	27	0.375	2-1/2	1/4 in. NPT	0.35
GRIN-B302-300D	3.750	2GRIN-B302-300D	4.375	75	120	26	0.375	3	1/4 in. NPT	0.38
GRIN-B301-100	3.750	2GRIN-B301-100	4.375	100	120	34	0.375	3	1/4 in. NPT	0.28
GRIN-B302-100	3.750	2GRIN-B302-100	4.375	100	240	34	0.375	3	1/4 in. NPT	0.28
GRIN-B302-500D	3.750	2GRIN-B302-500D	4.375	125	120	43	0.375	3	1/4 in. NPT	0.38
GRIN-B402-400D	4.750	2GRIN-B402-400D	5.375	100	120	25	0.375	4	1/4 in. NPT	0.41
GRIN-B442-500D	5.250	2GRIN-B442-500D	5.875	125	120	27	0.375	4-1/2	1/4 in. NPT	0.42
GRIN-B502-400D	5.750	2GRIN-B502-400D	6.375	100	120	41	0.375	5	1/4 in. NPT	0.44
GRIN-B502-500D	5.750	2GRIN-B502-500D	6.375	125	120	24	0.375	5	1/4 in. NPT	0.44
GRIN-B501-150	5.750	2GRIN-B501-150	6.375	150	120	29	0.375	5	1/4 in. NPT	0.34
GRIN-B502-150	5.750	2GRIN-B502-150	6.375	150	240	29	0.375	5	1/4 in. NPT	0.34
GRIN-B502-750D	5.750	2GRIN-B502-750D	6.375	187.5	120	36	0.375	5	1/4 in. NPT	0.44
GRIN-B602-600D	6.750	2GRIN-B602-600D	7.375	150	120	24	0.375	6	1/4 in. NPT	0.46
GRIN-B602-750D	6.750	2GRIN-B602-750D	7.375	187.5	120	29	0.375	6	1/4 in. NPT	0.46
GRIN-B602-250	6.750	2GRIN-B602-250	7.375	250	240	39	0.375	6	1/4 in. NPT	0.36
GRIN-B701-250	7.750	2GRIN-B701-250	8.375	250	120	33	0.375	7	1/4 in. NPT	0.39
GRIN-B702-250	7.750	2GRIN-B702-250	8.375	250	240	33	0.375	7	1/4 in. NPT	0.39
GRIN-B702-300	7.750	2GRIN-B702-300	8.375	300	240	40	0.375	7	1/4 in. NPT	0.39
GRIN-B742-1000D	8.250	2GRIN-B742-1000D	8.875	250	120	31	0.375	7-1/2	1/4 in. NPT	0.50
GRIN-B80X-25	8.750	2GRIN-B80X-25	9.375	25	12	3	0.375	8	1/4 in. NPT	0.42
GRIN-B801-025	8.750	2GRIN-B801-025	9.375	25	120	3	0.375	8	1/4 in. NPT	0.42

Screw Plug Heaters

Type GRIN (Single End NPT Connection)

Type 2GRIN (Double End NPT Connection)

1/8", 1/4", 3/8", 1/2", 3/4" NPT

23 to 45 W/sq.in.

Type GRIN Single NPT Fitting		Type 2GRIN- Double NPT Fitting		Watts	Volts	Watt Dnsity	Heater Diam.	Lgth. Dim (C)	Plug Size	Weight
Catalog Number	Dim (A)	Catalog Number	Dim (B)							
GRIN-B801-300	8.750	2GRIN-B801-300	9.375	300	120	34	0.375	8	1/4 in. NPT	0.42
GRIN-B802-300	8.750	2GRIN-B802-300	9.375	300	240	34	0.375	8	1/4 in. NPT	0.42
GRIN-B902-1000D	9.750	2GRIN-B902-1000D	10.375	250	120	25	0.375	9	1/4 in. NPT	0.54
GRIN-B902-400	9.750	2GRIN-B902-400	10.375	400	240	42	0.375	9	1/4 in. NPT	0.44
GRIN-B1002-400	10.750	2GRIN-B1002-400	11.375	400	240	36	0.375	10	1/4 in. NPT	0.47
GRIN-B1101-300	11.750	2GRIN-B1101-300	12.375	300	120	25	0.375	11	1/4 in. NPT	0.50
GRIN-B1202-600	12.750	2GRIN-B1202-600	13.375	600	240	45	0.375	12	1/4 in. NPT	0.52
GRIN-B1402-600	14.750	2GRIN-B1402-600	15.375	600	240	39	0.375	14	1/4 in. NPT	0.58
GRIN-B1502-700	15.750	2GRIN-B1502-700	16.375	700	240	44	0.375	15	1/4 in. NPT	0.61
GRIN-C122-125D	2.000	2GRIN-C122-125D	2.625	31.25	120	27	0.5	1-1/4	3/8 in. NPT	0.45
GRIN-C161-75	2.500	2GRIN-C161-75	3.125	75	120	34	0.5	1-3/4	3/8 in. NPT	0.37
GRIN-C231-120	3.125	2GRIN-C231-120	3.750	120	120	41	0.5	2-3/8	3/8 in. NPT	0.39
GRIN-C232-120	3.125	2GRIN-C232-120	3.750	120	240	41	0.5	2-3/8	3/8 in. NPT	0.39
GRIN-C242-300D	3.250	2GRIN-C242-300D	3.875	75	120	24	0.5	2-1/2	3/8 in. NPT	0.51
GRIN-C242-350D	3.250	2GRIN-C242-350D	3.875	87.5	120	28	0.5	2-1/2	3/8 in. NPT	0.51
GRIN-C242-500D	3.250	2GRIN-C242-500D	3.875	125	120	40	0.5	2-1/2	3/8 in. NPT	0.51
GRIN-C301-100	3.750	2GRIN-C301-100	4.375	100	120	25	0.5	3	3/8 in. NPT	0.42
GRIN-C301-125	3.750	2GRIN-C301-125	4.375	125	120	32	0.5	3	3/8 in. NPT	0.42
GRIN-C302-125	3.750	2GRIN-C302-125	4.375	125	240	32	0.5	3	3/8 in. NPT	0.42
GRIN-C342-500D	4.250	2GRIN-C342-500D	4.875	125	120	27	0.5	3-1/2	3/8 in. NPT	0.54
GRIN-C402-180	4.750	2GRIN-C402-180	5.375	180	240	34	0.5	4	3/8 in. NPT	0.46
GRIN-C402-750D	4.750	2GRIN-C402-750D	5.375	187.5	120	35	0.5	4	3/8 in. NPT	0.56
GRIN-C502-750D	5.750	2GRIN-C502-750D	6.375	187.5	120	27	0.5	5	3/8 in. NPT	0.60
GRIN-C501-200	5.750	2GRIN-C501-200	6.375	200	120	29	0.5	5	3/8 in. NPT	0.50
GRIN-C502-200	5.750	2GRIN-C502-200	6.375	200	240	29	0.5	5	3/8 in. NPT	0.50
GRIN-C542-750D	6.250	2GRIN-C542-750D	6.875	187.5	120	24	0.5	5-1/2	3/8 in. NPT	0.62
GRIN-C601-250	6.750	2GRIN-C601-250	7.375	250	120	29	0.5	6	3/8 in. NPT	0.53
GRIN-C601-300	6.750	2GRIN-C601-300	7.375	300	120	35	0.5	6	3/8 in. NPT	0.53
GRIN-C602-300	6.750	2GRIN-C602-300	7.375	300	240	35	0.5	6	3/8 in. NPT	0.53
GRIN-C802-300	8.750	2GRIN-C802-300	9.375	300	240	26	0.5	8	3/8 in. NPT	0.61
GRIN-C802-1500D	8.750	2GRIN-C802-1500D	9.375	375	120	32	0.5	8	3/8 in. NPT	0.71
GRIN-C802-400	8.750	2GRIN-C802-400	9.375	400	240	34	0.5	8	3/8 in. NPT	0.61
GRIN-C801-500	8.750	2GRIN-C801-500	9.375	500	120	43	0.5	8	3/8 in. NPT	0.61
GRIN-C802-500	8.750	2GRIN-C802-500	9.375	500	240	43	0.5	8	3/8 in. NPT	0.61
GRIN-C842-500	9.250	2GRIN-C842-500	9.875	500	240	40	0.5	8-1/2	3/8 in. NPT	0.63
GRIN-C902-500	9.750	2GRIN-C902-500	10.375	500	240	38	0.5	9	3/8 in. NPT	0.65
GRIN-C1002-350	10.750	2GRIN-C1002-350	11.375	350	240	24	0.5	10	3/8 in. NPT	0.69
GRIN-C1002-1500D	10.750	2GRIN-C1002-1500D	11.375	375	120	26	0.5	10	3/8 in. NPT	0.79
GRIN-C1001-500	10.750	2GRIN-C1001-500	11.375	500	120	34	0.5	10	3/8 in. NPT	0.69
GRIN-C1002-500	10.750	2GRIN-C1002-500	11.375	500	240	34	0.5	10	3/8 in. NPT	0.69
GRIN-C1001-600	10.750	2GRIN-C1001-600	11.375	600	120	41	0.5	10	3/8 in. NPT	0.69
GRIN-C1102-600F	11.750	2GRIN-C1102-600F	12.375	600	240	36	0.5	11	3/8 in. NPT	0.73
GRIN-C1142-600F	12.250	2GRIN-C1142-600F	12.875	600	240	34	0.5	11-1/2	3/8 in. NPT	0.75
GRIN-C1162-500	12.500	2GRIN-C1162-500	13.125	500	240	28	0.5	11-3/4	3/8 in. NPT	0.75
GRIN-C1202-500	12.750	2GRIN-C1202-500	13.375	500	240	28	0.5	12	3/8 in. NPT	0.77

Screw Plug Heaters

Type GRIN (Single End NPT Connection)

Type 2GRIN (Double End NPT Connection)

1/8", 1/4", 3/8", 1/2", 3/4" NPT

23 to 45 W/sq.in.

Type GRIN Single NPT Fitting		Type 2GRIN- Double NPT Fitting		Watts	Volts	Watt Dnsity	Heater Diam.	Lgth. Dim (C)	Plug Size	Weight
Catalog Number	Dim (A)	Catalog Number	Dim (B)							
GRIN-C1202-600	12.750	2GRIN-C1202-600	13.375	600	240	34	0.5	12	3/8 in. NPT	0.77
GRIN-C1302-700	13.750	2GRIN-C1302-700	14.375	700	240	36	0.5	13	3/8 in. NPT	0.81
GRIN-C1402-500	14.750	2GRIN-C1402-500	15.375	500	240	24	0.5	14	3/8 in. NPT	0.85
GRIN-C1402-2300D	14.750	2GRIN-C1402-2300D	15.375	575	120	28	0.5	14	3/8 in. NPT	0.95
GRIN-C1502-600	15.750	2GRIN-C1502-600	16.375	600	240	26	0.5	15	3/8 in. NPT	0.88
GRIN-C1601-1000	16.750	2GRIN-C1601-1000	17.375	1000	120	41	0.5	16	3/8 in. NPT	0.93
GRIN-C1602-1000	16.750	2GRIN-C1602-1000	17.375	1000	240	41	0.5	16	3/8 in. NPT	0.93
GRIN-C1702-600	17.750	2GRIN-C1702-600	18.375	600	240	24	0.5	17	3/8 in. NPT	0.97
GRIN-C2002-1050	20.750	2GRIN-C2002-1050	21.375	1050	240	34	0.5	20	3/8 in. NPT	1.08
GRIN-D231-150	3.500	2GRIN-D231-150	4.375	150	120	41	0.625	2-3/8	1/2 in. NPT	0.55
GRIN-D232-150	3.500	2GRIN-D232-150	4.375	150	240	41	0.625	2-3/8	1/2 in. NPT	0.55
GRIN-D302-500D	4.125	2GRIN-D302-500D	5.000	125	120	26	0.625	3	1/2 in. NPT	0.68
GRIN-D301-150	4.125	2GRIN-D301-150	5.000	150	120	31	0.625	3	1/2 in. NPT	0.58
GRIN-D302-150	4.125	2GRIN-D302-150	5.000	150	240	31	0.625	3	1/2 in. NPT	0.58
GRIN-D402-750D	5.125	2GRIN-D402-750D	6.000	187.5	120	28	0.625	4	1/2 in. NPT	0.74
GRIN-D401-250	5.125	2GRIN-D401-250	6.000	250	120	37	0.625	4	1/2 in. NPT	0.64
GRIN-D402-250	5.125	2GRIN-D402-250	6.000	250	240	37	0.625	4	1/2 in. NPT	0.64
GRIN-D431-300	5.500	2GRIN-D431-300	6.375	300	120	42	0.625	4-3/8	1/2 in. NPT	0.66
GRIN-D441-250	5.625	2GRIN-D441-250	6.500	250	120	35	0.625	4-1/2	1/2 in. NPT	0.67
GRIN-D502-1300D	6.125	2GRIN-D502-1300D	7.000	325	120	37	0.625	5	1/2 in. NPT	0.80
GRIN-D542-285	6.625	2GRIN-D542-285	7.500	285	240	28	0.625	5-1/2	1/2 in. NPT	0.74
GRIN-D602-1000D	7.125	2GRIN-D602-1000D	8.000	250	120	23	0.625	6	1/2 in. NPT	0.86
GRIN-D602-1500D	7.125	2GRIN-D602-1500D	8.000	375	120	35	0.625	6	1/2 in. NPT	0.86
GRIN-D601-400	7.125	2GRIN-D601-400	8.000	400	120	38	0.625	6	1/2 in. NPT	0.76
GRIN-D602-400	7.125	2GRIN-D602-400	8.000	400	240	38	0.625	6	1/2 in. NPT	0.76
GRIN-D702-1500D	8.125	2GRIN-D702-1500D	9.000	375	120	30	0.625	7	1/2 in. NPT	0.92
GRIN-D702-400	8.125	2GRIN-D702-400	9.000	400	240	31	0.625	7	1/2 in. NPT	0.82
GRIN-D802-1500D	9.125	2GRIN-D802-1500D	10.000	375	120	26	0.625	8	1/2 in. NPT	0.98
GRIN-D801-500	9.125	2GRIN-D801-500	10.000	500	120	34	0.625	8	1/2 in. NPT	0.88
GRIN-D861-450	9.875	2GRIN-D861-450	10.750	450	120	28	0.625	8-3/4	1/2 in. NPT	0.93
GRIN-D1001-600	11.125	2GRIN-D1001-600	12.000	600	120	32	0.625	10	1/2 in. NPT	1.00
GRIN-D1002-750	11.125	2GRIN-D1002-750	12.000	750	240	40	0.625	10	1/2 in. NPT	1.00
GRIN-D1202-1000	13.125	2GRIN-D1202-1000	14.000	1000	240	45	0.625	12	1/2 in. NPT	1.12
GRIN-D1462-1000	15.875	2GRIN-D1462-1000	16.750	1000	240	38	0.625	14-3/4	1/2 in. NPT	1.29
GRIN-D1502-600	16.125	2GRIN-D1502-600	17.000	600	240	21	0.625	15	1/2 in. NPT	1.30
GRIN-D1502-750	16.125	2GRIN-D1502-750	17.000	750	240	27	0.625	15	1/2 in. NPT	1.30
GRIN-D1802-1500	19.125	2GRIN-D1802-1500	20.000	1500	240	44	0.625	18	1/2 in. NPT	1.48
GRIN-D2002-1000	21.125	2GRIN-D2002-1000	22.000	1000	240	27	0.625	20	1/2 in. NPT	1.60
GRIN-D2102-1075	22.125	2GRIN-D2102-1075	23.000	1075	240	28	0.625	21	1/2 in. NPT	1.66
GRIN-D2402-2000	25.125	2GRIN-D2402-2000	26.000	2000	240	44	0.625	24	1/2 in. NPT	1.84
GRIN-D3602-3000	37.125	2GRIN-D3602-3000	38.000	3000	240	43	0.625	36	1/2 in. NPT	2.70
GRIN-E301-250	4.062	2GRIN-E301-250	5.000	250	120	43	0.75	3	3/4 in. NPT	0.76
GRIN-E302-250	4.062	2GRIN-E302-250	5.000	250	240	43	0.75	3	3/4 in. NPT	0.76
GRIN-E502-1000D	6.062	2GRIN-E502-1000D	7.000	250	120	24	0.75	5	3/4 in. NPT	1.03
GRIN-E602-350	7.062	2GRIN-E602-350	8.000	350	240	27	0.75	6	3/4 in. NPT	1.01

Screw Plug Heaters

Type GRIN (Single End NPT Connection)

Type 2GRIN (Double End NPT Connection)

1/8", 1/4", 3/8", 1/2", 3/4" NPT

23 to 45 W/sq.in.

Type GRIN Single NPT Fitting		Type 2GRIN- Double NPT Fitting		Watts	Volts	Watt Dnsity	Heater Diam.	Lgth. Dim (C)	Plug Size	Weight
Catalog Number	Dim (A)	Catalog Number	Dim (B)							
GRIN-E602-1500D	7.062	2GRIN-E602-1500D	8.000	375	120	29	0.75	6	3/4 in. NPT	1.11
GRIN-E601-500	7.062	2GRIN-E601-500	8.000	500	120	39	0.75	6	3/4 in. NPT	1.01
GRIN-E602-500	7.062	2GRIN-E602-500	8.000	500	240	39	0.75	6	3/4 in. NPT	1.01
GRIN-E701-500	8.062	2GRIN-E701-500	9.000	500	120	33	0.75	7	3/4 in. NPT	1.10
GRIN-E702-500	8.062	2GRIN-E702-500	9.000	500	240	33	0.75	7	3/4 in. NPT	1.10
GRIN-E802-500	9.062	2GRIN-E802-500	10.000	500	240	28	0.75	8	3/4 in. NPT	1.18
GRIN-E1002-1000	11.062	2GRIN-E1002-1000	12.000	1000	240	45	0.75	10	3/4 in. NPT	1.35
GRIN-E1202-1000	13.062	2GRIN-E1202-1000	14.000	1000	240	37	0.75	12	3/4 in. NPT	1.52
GRIN-E1302-1000	14.062	2GRIN-E1302-1000	15.000	1000	240	34	0.75	13	3/4 in. NPT	1.61
GRIN-E1302-1250	14.062	2GRIN-E1302-1250	15.000	1250	240	43	0.75	13	3/4 in. NPT	1.61
GRIN-E1402-1000	15.062	2GRIN-E1402-1000	16.000	1000	240	32	0.75	14	3/4 in. NPT	1.69
GRIN-E1402-1200	15.062	2GRIN-E1402-1200	16.000	1200	240	41	0.75	14	3/4 in. NPT	1.69
GRIN-E1502-1500	16.062	2GRIN-E1502-1500	17.000	1500	240	44	0.75	15	3/4 in. NPT	1.78
GRIN-E1602-1250	17.062	2GRIN-E1602-1250	18.000	1250	240	34	0.75	16	3/4 in. NPT	1.86
GRIN-E1702-1200	18.062	2GRIN-E1702-1200	19.000	1200	240	30	0.75	17	3/4 in. NPT	1.95
GRIN-E2002-1200	21.062	2GRIN-E2002-1200	22.000	1200	240	27	0.75	20	3/4 in. NPT	2.20
GRIN-E2402-1400	25.062	2GRIN-E2402-1400	26.000	1400	240	26	0.75	24	3/4 in. NPT	2.54
GRIN-E3602-2500	37.062	2GRIN-E3602-2500	38.000	2500	240	30	0.75	36	3/4 in. NPT	3.56

15 to 23 W/sq.in.

Type GRIN Single NPT Fitting		Type 2GRIN- Double NPT Fitting		Watts	Volts	Watt Dnsity	Heater Diam.	Lgth. Dim (C)	Plug Size	Weight
Catalog Number	Dim (A)	Catalog Number	Dim (B)							
GRIN-A402-200D	4.625	2GRIN-A402-200D	5.000	50	120	19	0.25	4	1/8 in. NPT	0.27
GRIN-A602-300D	6.625	2GRIN-A602-300D	7.000	75	120	18	0.25	6	1/8 in. NPT	0.30
GRIN-A802-400D	8.625	2GRIN-A802-400D	9.000	100	120	18	0.25	8	1/8 in. NPT	0.34
GRIN-B202-150D	2.750	2GRIN-B202-150D	3.375	37.5	120	22	0.375	2	1/4 in. NPT	0.35
GRIN-B302-200D	3.750	2GRIN-B302-200D	4.375	50	120	17	0.375	3	1/4 in. NPT	0.38
GRIN-B302-250D	3.750	2GRIN-B302-250D	4.375	62.5	120	22	0.375	3	1/4 in. NPT	0.38
GRIN-B342-300D	4.250	2GRIN-B342-300D	4.875	75	120	22	0.375	3-1/2	1/4 in. NPT	0.39
GRIN-B402-250D	4.750	2GRIN-B402-250D	5.375	62.5	120	16	0.375	4	1/4 in. NPT	0.41
GRIN-B402-300D	4.750	2GRIN-B402-300D	5.375	75	120	19	0.375	4	1/4 in. NPT	0.41
GRIN-B442-300D	5.250	2GRIN-B442-300D	5.875	75	120	16	0.375	4-1/2	1/4 in. NPT	0.42
GRIN-B502-200D	5.750	2GRIN-B502-200D	6.375	50	120	16	0.375	5	1/4 in. NPT	0.44
GRIN-B602-500D	6.750	2GRIN-B602-500D	7.375	125	120	20	0.375	6	1/4 in. NPT	0.46
GRIN-B802-600D	8.750	2GRIN-B802-600D	9.375	150	120	17	0.375	8	1/4 in. NPT	0.52
GRIN-B802-750D	8.750	2GRIN-B802-750D	9.375	187.5	120	21	0.375	8	1/4 in. NPT	0.52
GRIN-B1002-800D	10.750	2GRIN-B1002-800D	11.375	200	120	18	0.375	10	1/4 in. NPT	0.57
GRIN-B1202-1000D	12.750	2GRIN-B1202-1000D	13.375	250	120	19	0.375	12	1/4 in. NPT	0.62
GRIN-B1442-1000D	14.750	2GRIN-B1442-1000D	15.375	250	120	16	0.375	14	1/4 in. NPT	0.68
GRIN-C202-200D	2.750	2GRIN-C202-200D	3.375	50	120	22	0.5	2	3/8 in. NPT	0.48
GRIN-C222-250D	3.000	2GRIN-C222-250D	3.625	62.5	120	23	0.5	2-1/4	3/8 in. NPT	0.49
GRIN-C302-250D	3.750	2GRIN-C302-250D	4.375	62.5	120	16	0.5	3	3/8 in. NPT	0.52
GRIN-C302-300D	3.750	2GRIN-C302-300D	4.375	75	120	20	0.5	3	3/8 in. NPT	0.52
GRIN-C302-75	3.750	2GRIN-C302-75	4.375	75	240	19	0.5	3	3/8 in. NPT	0.42
GRIN-C402-500D	4.750	2GRIN-C402-500D	5.375	125	120	23	0.5	4	3/8 in. NPT	0.56

Screw Plug Heaters

Type GRIN (Single End NPT Connection)

Type 2GRIN (Double End NPT Connection)

1/8", 1/4", 3/8", 1/2", 3/4" NPT

15 to 23 W/sq.in.

Type GRIN Single NPT Fitting		Type 2GRIN- Double NPT Fitting		Watts	Volts	Watt Dnsity	Heater Diam.	Lgth. Dim (C)	Plug Size	Weight
Catalog Number	Dim (A)	Catalog Number	Dim (B)							
GRIN-C442-500D	5.250	2GRIN-C442-500D	5.875	125	120	20	0.5	4-1/2	3/8 in. NPT	0.58
GRIN-C504-500D	5.750	2GRIN-C504-500D	6.375	125	240	18	0.5	5	3/8 in. NPT	0.60
GRIN-C501-150	5.750	2GRIN-C501-150	6.375	150	120	22	0.5	5	3/8 in. NPT	0.50
GRIN-C602-750D	6.750	2GRIN-C602-750D	7.375	187.5	120	22	0.5	6	3/8 in. NPT	0.63
GRIN-C802-1000D	8.750	2GRIN-C802-1000D	9.375	250	120	22	0.5	8	3/8 in. NPT	0.71
GRIN-C902-1000D	9.750	2GRIN-C902-1000D	10.375	250	120	19	0.5	9	3/8 in. NPT	0.75
GRIN-C901-300	9.750	2GRIN-C901-300	10.375	300	120	23	0.5	9	3/8 in. NPT	0.65
GRIN-C941-300	10.250	2GRIN-C941-300	10.875	300	120	22	0.5	9-1/2	3/8 in. NPT	0.67
GRIN-C1002-1000D	10.750	2GRIN-C1002-1000D	11.375	250	120	17	0.5	10	3/8 in. NPT	0.79
GRIN-C1001-300	10.750	2GRIN-C1001-300	11.375	300	120	21	0.5	10	3/8 in. NPT	0.69
GRIN-C1102-1500D	11.750	2GRIN-C1102-1500D	12.375	375	120	23	0.5	11	3/8 in. NPT	0.83
GRIN-C1201-350	12.750	2GRIN-C1201-350	13.375	350	120	20	0.5	12	3/8 in. NPT	0.77
GRIN-C1202-350	12.750	2GRIN-C1202-350	13.375	350	240	20	0.5	12	3/8 in. NPT	0.77
GRIN-CIR-3120D	12.750	2GRIN-CIR-3120D	13.375	375	120	21	0.5	12	3/8 in. NPT	0.87
GRIN-C1502-1500D	15.750	2GRIN-C1502-1500D	16.375	375	120	17	0.5	15	3/8 in. NPT	0.98
GRIN-C1501-500	15.750	2GRIN-C1501-500	16.375	500	120	22	0.5	15	3/8 in. NPT	0.88
GRIN-C1502-500	15.750	2GRIN-C1502-500	16.375	500	240	22	0.5	15	3/8 in. NPT	0.88
GRIN-C1602-1500D	16.750	2GRIN-C1602-1500D	17.375	375	120	15	0.5	16	3/8 in. NPT	1.03
GRIN-C1601-500	16.750	2GRIN-C1601-500	17.375	500	120	21	0.5	16	3/8 in. NPT	0.93
GRIN-C1702-500	17.750	2GRIN-C1702-500	18.375	500	240	20	0.5	17	3/8 in. NPT	0.97
GRIN-C1802-500	18.750	2GRIN-C1802-500	19.375	500	240	18	0.5	18	3/8 in. NPT	1.00
GRIN-D222-250D	3.375	2GRIN-D222-250D	4.250	62.5	120	18	0.625	2-1/4	1/2 in. NPT	0.64
GRIN-D242-280D	3.625	2GRIN-D242-280D	4.500	70	120	18	0.625	2-1/2	1/2 in. NPT	0.66
GRIN-D402-500D	5.125	2GRIN-D402-500D	6.000	125	120	18	0.625	4	1/2 in. NPT	0.74
GRIN-D401-150	5.125	2GRIN-D401-150	6.000	150	120	22	0.625	4	1/2 in. NPT	0.64
GRIN-D602-750D	7.125	2GRIN-D602-750D	8.000	187.5	120	18	0.625	6	1/2 in. NPT	0.86
GRIN-D702-1000D	8.125	2GRIN-D702-1000D	9.000	250	120	20	0.625	7	1/2 in. NPT	0.92
GRIN-D762-1200D	8.875	2GRIN-D762-1200D	9.750	300	120	21	0.625	7-3/4	1/2 in. NPT	0.95
GRIN-D802-1000D	9.125	2GRIN-D802-1000D	10.000	250	120	17	0.625	8	1/2 in. NPT	0.98
GRIN-D802-1200D	9.125	2GRIN-D802-1200D	10.000	300	120	21	0.625	8	1/2 in. NPT	0.98
GRIN-D1002-1500D	11.125	2GRIN-D1002-1500D	12.000	375	120	20	0.625	10	1/2 in. NPT	1.10
GRIN-D1202-1500D	13.125	2GRIN-D1202-1500D	14.000	375	120	17	0.625	12	1/2 in. NPT	1.22
GRIN-D1202-500	13.125	2GRIN-D1202-500	14.000	500	240	22	0.625	12	1/2 in. NPT	1.12
GRIN-D1502-2400D	16.125	2GRIN-D1502-2400D	17.000	600	120	21	0.625	15	1/2 in. NPT	1.40
GRIN-D1602-2500D	17.125	2GRIN-D1602-2500D	18.000	625	120	21	0.625	16	1/2 in. NPT	1.58
GRIN-D1801-600	19.125	2GRIN-D1801-600	20.000	600	120	18	0.625	18	1/2 in. NPT	1.48
GRIN-D1802-3000D	19.125	2GRIN-D1802-3000D	20.000	750	120	22	0.625	18	1/2 in. NPT	1.58
GRIN-D2002-3500D	21.125	2GRIN-D2002-3500D	22.000	875	120	23	0.625	20	1/2 in. NPT	1.70
GRIN-E302-500D	4.062	2GRIN-E302-500D	5.000	125	120	21	0.75	3	3/4 in. NPT	0.86
GRIN-E402-500D	5.062	2GRIN-E402-500D	6.000	125	120	15	0.75	4	3/4 in. NPT	0.94
GRIN-E602-1000D	7.062	2GRIN-E602-1000D	8.000	250	120	20	0.75	6	3/4 in. NPT	1.11
GRIN-E602-300	7.062	2GRIN-E602-300	8.000	300	240	23	0.75	6	3/4 in. NPT	1.01
GRIN-E702-1000D	8.062	2GRIN-E702-1000D	9.000	250	120	17	0.75	7	3/4 in. NPT	1.20
GRIN-E702-350	8.062	2GRIN-E702-350	9.000	350	240	23	0.75	7	3/4 in. NPT	1.10
GRIN-E742-1300D	8.562	2GRIN-E742-1300D	9.500	325	120	20	0.75	7-1/2	3/4 in. NPT	1.19

Screw Plug Heaters

Type GRIN (Single End NPT Connection)

Type 2GRIN (Double End NPT Connection)

1/8", 1/4", 3/8", 1/2", 3/4" NPT

15 to 23 W/sq.in.

Type GRIN Single NPT Fitting		Type 2GRIN- Double NPT Fitting		Watts	Volts	Watt Dnsity	Heater Diam.	Lgth. Dim (C)	Plug Size	Weight
Catalog Number	Dim (A)	Catalog Number	Dim (B)							
GRIN-E1002-2000D	11.062	2GRIN-E1002-2000D	12.000	500	120	23	0.75	10	3/4 in. NPT	1.45
GRIN-E1202-2000D	13.062	2GRIN-E1202-2000D	14.000	500	120	19	0.75	12	3/4 in. NPT	1.62
GRIN-E1301-600	14.062	2GRIN-E1301-600	15.000	600	120	20	0.75	13	3/4 in. NPT	1.61
GRIN-E1332-550	14.437	2GRIN-E1332-550	15.375	550	240	19	0.75	13-3/8	3/4 in. NPT	1.67
GRIN-E1402-700	15.062	2GRIN-E1402-700	16.000	700	240	22	0.75	14	3/4 in. NPT	1.69
GRIN-E1502-3000D	16.062	2GRIN-E1502-3000D	17.000	750	120	22	0.75	15	3/4 in. NPT	1.88
GRIN-E1602-3000D	17.062	2GRIN-E1602-3000D	18.000	750	120	21	0.75	16	3/4 in. NPT	1.96
GRIN-E2402-4600D	25.062	2GRIN-E2402-4600D	26.000	1150	120	21	0.75	24	3/4 in. NPT	2.64
GRIN-E2402-1200	25.062	2GRIN-E2402-1200	26.000	1200	240	22	0.75	24	3/4 in. NPT	2.54

12 to 15 W/sq.in.

Type GRIN Single NPT Fitting		Type 2GRIN- Double NPT Fitting		Watts	Volts	Watt Dnsity	Heater Diam.	Lgth. Dim (C)	Plug Size	Weight
Catalog Number	Dim (A)	Catalog Number	Dim (B)							
GRIN-B202-100D	2.750	2GRIN-B202-100D	3.375	25	120	14	0.375	2	1/4 in. NPT	0.35
GRIN-B302-150D	3.750	2GRIN-B302-150D	4.375	37.5	120	13	0.375	3	1/4 in. NPT	0.38
GRIN-B1002-600D	10.750	2GRIN-B1002-600D	11.375	150	120	14	0.375	10	1/4 in. NPT	0.57
GRIN-C402-300D	4.750	2GRIN-C402-300D	5.375	75	120	14	0.5	4	3/8 in. NPT	0.56
GRIN-C702-500D	7.750	2GRIN-C702-500D	8.375	125	120	13	0.5	7	3/8 in. NPT	0.67
GRIN-C702-600D	7.750	2GRIN-C702-600D	8.375	150	120	15	0.5	7	3/8 in. NPT	0.67
GRIN-C802-600D	8.750	2GRIN-C802-600D	9.375	150	120	13	0.5	8	3/8 in. NPT	0.71
GRIN-C1162-1000D	12.500	2GRIN-C1162-1000D	13.125	250	120	14	0.5	11-3/4	3/8 in. NPT	0.85
GRIN-D302-250D	4.125	2GRIN-D302-250D	5.000	62.5	120	13	0.625	3	1/2 in. NPT	0.68
GRIN-D402-100	5.125	2GRIN-D402-100	6.000	100	240	15	0.625	4	1/2 in. NPT	0.64
GRIN-D502-500D	6.125	2GRIN-D502-500D	7.000	125	120	14	0.625	5	1/2 in. NPT	0.80
GRIN-D502-125	6.125	2GRIN-D502-125	7.000	125	240	14	0.625	5	1/2 in. NPT	0.70
GRIN-D1002-1000D	11.125	2GRIN-D1002-1000D	12.000	250	120	14	0.625	10	1/2 in. NPT	1.10
GRIN-D1102-1000D	12.125	2GRIN-D1102-1000D	13.000	250	120	12	0.625	11	1/2 in. NPT	1.16
GRIN-E232-200D	3.437	2GRIN-E232-200D	4.375	50	120	12	0.75	2-3/8	3/4 in. NPT	0.84
GRIN-E402-400D	5.062	2GRIN-E402-400D	6.000	100	120	12	0.75	4	3/4 in. NPT	0.94
GRIN-E802-1000D	9.062	2GRIN-E802-1000D	10.000	250	120	14	0.75	8	3/4 in. NPT	1.28
GRIN-E1202-1400D	13.062	2GRIN-E1202-1400D	14.000	350	120	13	0.75	12	3/4 in. NPT	1.62
GRIN-E1602-1800D	17.062	2GRIN-E1602-1800D	18.000	450	120	12	0.75	16	3/4 in. NPT	1.96
GRIN-E1802-2000D	19.062	2GRIN-E1802-2000D	20.000	500	120	12	0.75	18	3/4 in. NPT	2.13
GRIN-E2002-2300D	21.062	2GRIN-E2002-2300D	22.000	575	120	13	0.75	20	3/4 in. NPT	2.30

9 to 12 W/sq.in.

Type GRIN Single NPT Fitting		Type 2GRIN- Double NPT Fitting		Watts	Volts	Watt Dnsity	Heater Diam.	Lgth. Dim (C)	Plug Size	Weight
Catalog Number	Dim (A)	Catalog Number	Dim (B)							
GRIN-B302-100D	3.750	2GRIN-B302-100D	4.375	25	120	9	0.375	3	1/4 in. NPT	0.38
GRIN-B602-250D	6.750	2GRIN-B602-250D	7.375	62.5	120	10	0.375	6	1/4 in. NPT	0.46
GRIN-B702-250D	7.750	2GRIN-B702-250D	8.375	62.5	120	8	0.375	7	1/4 in. NPT	0.49
GRIN-B702-300D	7.750	2GRIN-B702-300D	8.375	75	120	10	0.375	7	1/4 in. NPT	0.49
GRIN-B802-300D	8.750	2GRIN-B802-300D	9.375	75	120	9	0.375	8	1/4 in. NPT	0.52
GRIN-B902-400D	9.750	2GRIN-B902-400D	10.375	100	120	11	0.375	9	1/4 in. NPT	0.54
GRIN-B1002-400D	10.750	2GRIN-B1002-400D	11.375	100	120	9	0.375	10	1/4 in. NPT	0.57
GRIN-B1002-500D	10.750	2GRIN-B1002-500D	11.375	125	120	12	0.375	10	1/4 in. NPT	0.57

Screw Plug Heaters

Type GRIN (Single End NPT Connection)

Type 2GRIN (Double End NPT Connection)

1/8", 1/4", 3/8", 1/2", 3/4" NPT

9 to 12 W/sq.in.

Type GRIN Single NPT Fitting		Type 2GRIN- Double NPT Fitting		Watts	Volts	Watt Dnsity	Heater Diam.	Lgth. Dim (C)	Plug Size	Weight
Catalog Number	Dim (A)	Catalog Number	Dim (B)							
GRIN-B1202-600D	12.750	2GRIN-B1202-600D	13.375	150	120	11	0.375	12	1/4 in. NPT	0.62
GRIN-B1402-600D	14.750	2GRIN-B1402-600D	15.375	150	120	10	0.375	14	1/4 in. NPT	0.68
GRIN-B2201-300	22.750	2GRIN-B2201-300	23.375	300	120	12	0.375	22	1/4 in. NPT	0.80
GRIN-C232-120D	3.125	2GRIN-C232-120D	3.750	30	120	10	0.5	2-3/8	3/8 in. NPT	0.49
GRIN-C302-125D	3.750	2GRIN-C302-125D	4.375	31.25	120	8	0.5	3	3/8 in. NPT	0.52
GRIN-C402-180D	4.750	2GRIN-C402-180D	5.375	45	120	9	0.5	4	3/8 in. NPT	0.56
GRIN-C402-250D	4.750	2GRIN-C402-250D	5.375	62.5	120	12	0.5	4	3/8 in. NPT	0.56
GRIN-C602-300D	6.750	2GRIN-C602-300D	7.375	75	120	9	0.5	6	3/8 in. NPT	0.63
GRIN-C802-500D	8.750	2GRIN-C802-500D	9.375	125	120	11	0.5	8	3/8 in. NPT	0.71
GRIN-C842-500D	9.250	2GRIN-C842-500D	9.875	125	120	10	0.5	8-1/2	3/8 in. NPT	0.73
GRIN-C902-500D	9.750	2GRIN-C902-500D	10.375	125	120	10	0.5	9	3/8 in. NPT	0.75
GRIN-C1002-500D	10.750	2GRIN-C1002-500D	11.375	125	120	9	0.5	10	3/8 in. NPT	0.79
GRIN-C1202-600D	12.750	2GRIN-C1202-600D	13.375	150	120	9	0.5	12	3/8 in. NPT	0.87
GRIN-C1402-1000D	14.750	2GRIN-C1402-1000D	15.375	250	120	12	0.5	14	3/8 in. NPT	0.95
GRIN-C1602-1000D	16.750	2GRIN-C1602-1000D	17.375	250	120	10	0.5	16	3/8 in. NPT	1.03
GRIN-C2002-1050D	20.750	2GRIN-C2002-1050D	21.375	262.5	120	9	0.5	20	3/8 in. NPT	1.18
GRIN-D232-150D	3.500	2GRIN-D232-150D	4.375	37.5	120	10	0.625	2-3/8	1/2 in. NPT	0.65
GRIN-D402-250D	5.125	2GRIN-D402-250D	6.000	62.5	120	9	0.625	4	1/2 in. NPT	0.74
GRIN-D602-400D	7.125	2GRIN-D602-400D	8.000	100	120	10	0.625	6	1/2 in. NPT	0.86
GRIN-D602-500D	7.125	2GRIN-D602-500D	8.000	125	120	12	0.625	6	1/2 in. NPT	0.86
GRIN-D1002-750D	11.125	2GRIN-D1002-750D	12.000	187.5	120	10	0.625	10	1/2 in. NPT	1.10
GRIN-D1202-1000D	13.125	2GRIN-D1202-1000D	14.000	250	120	11	0.625	12	1/2 in. NPT	1.22
GRIN-D1462-1000D	15.875	2GRIN-D1462-1000D	16.750	250	120	10	0.625	14-3/4	1/2 in. NPT	1.39
GRIN-D1502-600D	16.125	2GRIN-D1502-600D	17.000	150	120	9	0.625	15	1/2 in. NPT	1.40
GRIN-D1802-1500D	19.125	2GRIN-D1802-1500D	20.000	375	120	11	0.625	18	1/2 in. NPT	1.58
GRIN-D2402-2000D	25.125	2GRIN-D2402-2000D	26.000	500	120	11	0.625	24	1/2 in. NPT	1.94
GRIN-D3602-3000D	37.125	2GRIN-D3602-3000D	38.000	750	120	11	0.625	36	1/2 in. NPT	2.80
GRIN-E302-250D	4.062	2GRIN-E302-250D	5.000	62.5	120	11	0.75	3	3/4 in. NPT	0.86
GRIN-E502-500D	6.062	2GRIN-E502-500D	7.000	125	120	12	0.75	5	3/4 in. NPT	1.03
GRIN-E602-500D	7.062	2GRIN-E602-500D	8.000	125	120	10	0.75	6	3/4 in. NPT	1.11
GRIN-E702-500D	8.062	2GRIN-E702-500D	9.000	125	120	8	0.75	7	3/4 in. NPT	1.20
GRIN-E1002-200	11.062	2GRIN-E1002-200	12.000	200	240	10	0.75	10	3/4 in. NPT	1.35
GRIN-E1002-1000D	11.062	2GRIN-E1002-1000D	12.000	250	120	11	0.75	10	3/4 in. NPT	1.45
GRIN-E1202-1000D	13.062	2GRIN-E1202-1000D	14.000	250	120	9	0.75	12	3/4 in. NPT	1.62
GRIN-E1302-1000D	14.062	2GRIN-E1302-1000D	15.000	250	120	9	0.75	13	3/4 in. NPT	1.71
GRIN-E1402-1000D	15.062	2GRIN-E1402-1000D	16.000	250	120	8	0.75	14	3/4 in. NPT	1.79
GRIN-E1402-1200D	15.062	2GRIN-E1402-1200D	16.000	300	120	10	0.75	14	3/4 in. NPT	1.79
GRIN-E1502-1500D	16.062	2GRIN-E1502-1500D	17.000	375	120	11	0.75	15	3/4 in. NPT	1.88
GRIN-E1602-1250D	17.062	2GRIN-E1602-1250D	18.000	312.5	120	9	0.75	16	3/4 in. NPT	1.96
GRIN-E2402-2550D	25.062	2GRIN-E2402-2550D	26.000	637.5	120	12	0.75	24	3/4 in. NPT	2.64

4 to 8 W/sq.in.

Type GRIN Single NPT Fitting		Type 2GRIN- Double NPT Fitting		Watts	Volts	Watt Dnsity	Heater Diam.	Lgth. Dim (C)	Plug Size	Weight
Catalog Number	Dim (A)	Catalog Number	Dim (B)							
GRIN-B502-150D	5.750	2GRIN-B502-150D	6.375	37.5	120	7	0.375	5	1/4 in. NPT	0.44

Screw Plug Heaters

Type GRIN (Single End NPT Connection)

Type 2GRIN (Double End NPT Connection)

1/8", 1/4", 3/8", 1/2", 3/4" NPT

4 to 8 W/sq.in.

Type GRIN Single NPT Fitting		Type 2GRIN- Double NPT Fitting		Watts	Volts	Watt Dnsity	Heater Diam.	Lgth. Dim (C)	Plug Size	Weight
Catalog Number	Dim (A)	Catalog Number	Dim (B)							
GRIN-C502-200D	5.750	2GRIN-C502-200D	6.375	50	120	7	0.5	5	3/8 in. NPT	0.60
GRIN-C1702-500D	17.750	2GRIN-C1702-500D	18.375	125	120	5	0.5	17	3/8 in. NPT	1.07
GRIN-C1702-600D	17.750	2GRIN-C1702-600D	18.375	150	120	6	0.5	17	3/8 in. NPT	1.07
GRIN-D302-150D	4.125	2GRIN-D302-150D	5.000	37.5	120	8	0.625	3	1/2 in. NPT	0.68
GRIN-D402-100D	5.125	2GRIN-D402-100D	6.000	25	120	4	0.625	4	1/2 in. NPT	0.74
GRIN-D502-125D	6.125	2GRIN-D502-125D	7.000	31.25	120	4	0.625	5	1/2 in. NPT	0.80
GRIN-D542-285D	6.625	2GRIN-D542-285D	7.500	71.25	120	7	0.625	5-1/2	1/2 in. NPT	0.84
GRIN-D702-400D	8.125	2GRIN-D702-400D	9.000	100	120	8	0.625	7	1/2 in. NPT	0.92
GRIN-D1202-500D	13.125	2GRIN-D1202-500D	14.000	125	120	6	0.625	12	1/2 in. NPT	1.22
GRIN-D1502-750D	16.125	2GRIN-D1502-750D	17.000	187.5	120	7	0.625	15	1/2 in. NPT	1.40
GRIN-D2002-1000D	21.125	2GRIN-D2002-1000D	22.000	250	120	7	0.625	20	1/2 in. NPT	1.70
GRIN-D2102-1075D	22.125	2GRIN-D2102-1075D	23.000	268.75	120	7	0.625	21	1/2 in. NPT	1.76
GRIN-E602-300D	7.062	2GRIN-E602-300D	8.000	75	120	6	0.75	6	3/4 in. NPT	1.11
GRIN-E602-350D	7.062	2GRIN-E602-350D	8.000	87.5	120	7	0.75	6	3/4 in. NPT	1.11
GRIN-E702-350D	8.062	2GRIN-E702-350D	9.000	87.5	120	6	0.75	7	3/4 in. NPT	1.20
GRIN-E802-500D	9.062	2GRIN-E802-500D	10.000	125	120	7	0.75	8	3/4 in. NPT	1.28
GRIN-E1002-200D	11.062	2GRIN-E1002-200D	12.000	50	120	3	0.75	10	3/4 in. NPT	1.45
GRIN-E1332-550D	14.437	2GRIN-E1332-550D	15.375	137.5	120	5	0.75	13-3/8	3/4 in. NPT	1.77
GRIN-E1402-700D	15.062	2GRIN-E1402-700D	16.000	175	120	6	0.75	14	3/4 in. NPT	1.79
GRIN-E1702-1200D	18.062	2GRIN-E1702-1200D	19.000	300	120	8	0.75	17	3/4 in. NPT	2.05
GRIN-E2002-1200D	21.062	2GRIN-E2002-1200D	22.000	300	120	7	0.75	20	3/4 in. NPT	2.30
GRIN-E2402-1200D	25.062	2GRIN-E2402-1200D	26.000	300	120	6	0.75	24	3/4 in. NPT	2.64
GRIN-E2402-1400D	25.062	2GRIN-E2402-1400D	26.000	350	120	7	0.75	24	3/4 in. NPT	2.64
GRIN-E3602-2500D	37.062	2GRIN-E3602-2500D	38.000	625	120	8	0.75	36	3/4 in. NPT	3.66

Over-the-Side - Type TLH

APPLICATIONS

60 and 45 Watts Per Square Inch

For industrial water heating and many other aqueous solutions which are generally "clear" and also compatible with both steel and Incoloy.

23 and 20 Watts Per Square Inch

For circulated heat transfer fluids, vegetable oils, cleaning solutions, degreasing fluids, many soap solutions which are generally "opaque" and also compatible with both steel and Incoloy..

15 and 12 Watts Per Square Inch

For lubricating oils, residual oils, heat transfer fluids, cleaning solutions, degreasing fluids, and many soap solutions.

8 and 6 Watts Per Square Inch

For raw crude oil, #5 and #6 fuel oil, viscous residual oils, viscous lubricating oils, and many other "hard to heat" fluids.



STANDARD FEATURES

Heating Elements

- Incoloy 800 Sheath Material
- Heavy Wall (.035 in.)
- Large diameter (.475 in.)
- Sealed Terminals

Spacers

- High Temp Alloy Material
- Rugged Design
- "Evenflow" Configuration

Construction

- Welded Heating Elements
- Welded Terminal Housing
- Welded Spacers

Riser

- Schedule 40 Pipe (Length as Required)
- Welded Terminal Housing
- Sealed and Welded Junction Box

Installation

- Flying Leadwires Provided
- Only Standard Materials Needed in Field

Service

- May Be Removed For Cleaning
- Assembly Repairable at Factory
- Wiring May Be Made Modifiable in Field

SPECIAL FEATURES

- A() Riser Height (A Dimension) in Inches
- Legs Support Legs (Specify Height)
- ER Explosion Resistant Terminal Enclosure
- LT Moisture Resistant Terminal Enclosure
- J(K) Sheath Sensing Thermocouple attached to one element for overheat protection.
- JTC Process Sensing Thermocouple (Type J) with Inconel Sheath
- S Stainless Steel ANSI Flange - Type 304
- SS Stainless Steel ANSI Flange - Type 316
Steel ANSI Flange - 150 #
- SC Stainless Steel Construction - Type 304
- SS Stainless Steel Construction - Type 316
- SpHtr Space Heater Mounted in Terminal Enclosure
- OSTHsg Offset (90°) Terminal Housing
- XX Special Feature not Listed Above

Over-the-Side

Type TLH

WattDensity: 60

Catalog Number	kW	Voltage	Bundle Diameter (In.)	Horizontal Length (In.)	Weight (lbs.)
TLH3F3N18B2	8.0	240	3	21	45
TLH3F3N18B4	8.0	480	3	21	45
TLH3F3N20B2	10.0	240	3	23	46
TLH3F3N20B4	10.0	480	3	23	46
TLH3F3N25B2	12.0	240	3	28	47
TLH3F3N25B4	12.0	480	3	28	47
TLH3F3N33B2	15.0	240	3	36	48
TLH3F3N33B4	15.0	480	3	36	48
TLH3F3N43B2	20.0	240	3	46	48
TLH3F3N43B4	20.0	480	3	46	50
TLH3F3N52B2	25.0	240	3	55	50
TLH3F3N52B4	25.0	480	3	55	51
TLH3F3N61B2	30.0	240	3	64	53
TLH3F3N61B4	30.0	480	3	64	53
TLH3F3N88B4	44.4	480	3	91	58
TLH3F3N106B4	50.1	480	3	109	61
TLH3F3N120B4	57.0	480	3	123	64
TLH4F6N18B2	16.0	240	4	22	83
TLH4F6N18B4	16.0	480	4	22	83
TLH4F6N20B2	20.0	240	4	24	84
TLH4F6N20B4	20.0	480	4	24	0
TLH4F6N25B2	24.0	240	4	29	86
TLH4F6N25B4	24.0	480	4	29	86
TLH4F6N33B2	30.0	240	4	37	89
TLH4F6N33B4	30.0	480	4	37	89
TLH4F6N43B2	40.0	240	4	47	89
TLH4F6N43B4	40.0	480	4	47	92
TLH4F6N52B2	50.0	240	4	56	94
TLH4F6N52B4	50.0	480	4	56	96
TLH4F6N61B2	60.0	240	4	65	99
TLH4F6N61B4	60.0	480	4	65	99
TLH4F6N88B4	88.8	480	4	92	109
TLH4F6N106B4	100.2	480	4	110	115
TLH4F6N120B4	114.0	480	4	124	120
TLH5F6N18B2	16.0	240	5	22	98
TLH5F6N18B4	16.0	480	5	22	98
TLH5F9N18B2	24.0	240	5	22	102
TLH5F9N18B4	24.0	480	5	22	102
TLH5F6N20B2	20.0	240	5	24	99
TLH5F6N20B4	20.0	480	5	24	99
TLH5F9N20B2	30.0	240	5	24	103
TLH5F9N20B4	30.0	480	5	24	103
TLH5F6N25B2	24.0	240	5	29	101
TLH5F6N25B4	24.0	480	5	29	101
TLH5F9N25B2	36.0	240	5	29	106
TLH5F9N25B4	36.0	480	5	29	106
TLH5F6N33B2	30.0	240	5	37	104
TLH5F6N33B4	30.0	480	5	37	104
TLH5F9N33B2	45.0	240	5	37	109

Over-the-Side

Type TLH

WattDensity: 60

Catalog Number	kW	Voltage	Bundle Diameter (In.)	Horizontal Length (In.)	Weight (lbs.)
TLH5F9N33B4	45.0	480	5	37	110
TLH5F6N43B2	40.0	240	5	47	104
TLH5F6N43B4	40.0	480	5	47	107
TLH5F9N43B2	60.0	240	5	47	110
TLH5F9N43B4	60.0	480	5	47	115
TLH5F6N52B2	50.0	240	5	56	109
TLH5F6N52B4	50.0	480	5	56	111
TLH5F9N52B2	75.0	240	5	56	117
TLH5F9N52B4	75.0	480	5	56	120
TLH5F6N61B2	60.0	240	5	65	114
TLH5F6N61B4	60.0	480	5	65	114
TLH5F9N61B2	90.0	240	5	65	125
TLH5F9N61B4	90.0	480	5	65	125
TLH5F6N88B4	88.8	480	5	92	124
TLH5F6N106B4	100.2	240	5	110	130
TLH5F6N120B4	114.0	480	5	124	135
TLH6F12N18B2	32.0	240	6	22	137
TLH6F12N18B4	32.0	480	6	22	137
TLH6F15N18B2	40.0	240	6	22	140
TLH6F15N18B4	40.0	480	6	22	140
TLH6F12N20B2	40.0	240	6	24	138
TLH6F12N20B4	40.0	480	6	24	138
TLH6F15N20B2	50.0	240	6	24	142
TLH6F15N20B4	50.0	480	6	24	142
TLH6F12N25B2	48.0	240	6	29	142
TLH6F12N25B4	48.0	480	6	29	142
TLH6F15N25B2	60.0	240	6	29	147
TLH6F15N25B4	60.0	480	6	29	147
TLH6F12N33B2	60.0	240	6	37	147
TLH6F12N33B4	60.0	480	6	37	148
TLH6F15N33B2	75.0	240	6	37	153
TLH6F15N33B4	75.0	480	6	37	154
TLH6F12N43B2	80.0	240	6	47	148
TLH6F12N43B4	80.0	480	6	47	155
TLH6F15N43B2	100.0	240	6	47	154
TLH6F15N43B4	100.0	480	6	47	163
TLH6F12N52B2	100.0	240	6	56	158
TLH6F12N52B4	100.0	480	6	56	161
TLH6F12N61B2	120.0	240	6	65	168
TLH6F12N61B4	120.0	480	6	65	168
TLH8F18N18B2	48.0	240	8	23	230
TLH8F18N18B4	48.0	480	8	23	230
TLH8F24N18B2	64.0	240	8	23	237
TLH8F24N18B4	64.0	480	8	23	237
TLH8F18N20B2	60.0	240	8	25	233
TLH8F18N20B4	60.0	480	8	25	233
TLH8F24N20B2	80.0	240	8	25	240
TLH8F24N20B4	80.0	480	8	25	240
TLH8F18N25B2	72.0	240	8	30	238

Over-the-Side

Type TLH

WattDensity: 60

Catalog Number	kW	Voltage	Bundle Diameter (In.)	Horizontal Length (In.)	Weight (lbs.)
TLH8F18N25B4	72.0	480	8	30	238
TLH8F24N25B2	96.0	240	8	30	247
TLH8F24N25B4	96.0	480	8	30	247
TLH8F18N33B2	90.0	240	8	38	246
TLH8F18N33B4	90.0	480	8	38	247
TLH8F24N33B2	120.0	240	8	38	257
TLH8F24N33B4	120.0	480	8	38	259
TLH8F18N43B2	120.0	240	8	48	247
TLH8F18N43B4	120.0	480	8	48	257

WattDensity: 45

Catalog Number	kW	Voltage	Bundle Diameter (In.)	Horizontal Length (In.)	Weight (lbs.)
TLH3F3N13H2	4.5	240	3	16	44
TLH3F3N13H4	4.5	480	3	16	44
TLH3F3N18H2	6.0	240	3	21	45
TLH3F3N18H4	6.0	480	3	21	45
TLH3F3N20H2	7.5	240	3	23	46
TLH3F3N20H4	7.5	480	3	23	46
TLH3F3N25H2	9.0	240	3	28	47
TLH3F3N25H4	9.0	480	3	28	47
TLH3F3N33H2	12.0	240	3	36	48
TLH3F3N33H4	12.0	480	3	36	48
TLH3F3N40H2	15.0	240	3	43	54
TLH3F3N40H4	15.0	480	3	43	49
TLH3F3N48H2	18.0	240	3	51	51
TLH3F3N48H4	18.0	480	3	51	50
TLH3F3N61H2	25.0	240	3	64	53
TLH3F3N61H4	25.0	480	3	64	53
TLH3F3N78H2	33.3	240	3	81	56
TLH3F3N78H4	33.3	480	3	81	56
TLH3F3N88H4	37.5	480	3	91	58
TLH3F3N106H4	41.7	480	3	109	61
TLH3F3N120H4	45.0	480	3	123	64
TLH3F3N140H4	52.5	480	3	143	67
TLH3F3N160H4	60.0	480	3	163	71
TLH3F3N180H4	67.5	480	3	183	74
TLH4F6N13H2	9.0	240	4	17	82
TLH4F6N13H4	9.0	480	4	17	82
TLH4F6N18H2	12.0	240	4	22	83
TLH4F6N18H4	12.0	480	4	22	83
TLH4F6N20H2	15.0	240	4	24	84
TLH4F6N20H4	15.0	480	4	24	84
TLH4F6N25H2	18.0	240	4	29	86
TLH4F6N25H4	18.0	480	4	29	86
TLH4F6N33H2	24.0	240	4	37	89
TLH4F6N33H4	24.0	480	4	37	89
TLH4F6N40H2	30.0	240	4	44	101
TLH4F6N40H4	30.0	480	4	44	91

Over-the-Side

Type TLH

WattDensity: 45

Catalog Number	kW	Voltage	Bundle Diameter (In.)	Horizontal Length (In.)	Weight (lbs.)
TLH4F6N48H2	36.0	240	4	52	94
TLH4F6N48H4	36.0	480	4	52	94
TLH4F6N61H2	50.0	240	4	65	99
TLH4F6N61H4	50.0	480	4	65	99
TLH4F6N78H2	66.7	240	4	82	105
TLH4F6N78H4	66.7	480	4	82	105
TLH4F6N88H4	75.0	480	4	92	109
TLH4F6N106H4	83.4	480	4	110	115
TLH4F6N120H4	90.0	480	4	124	120
TLH4F6N140H4	105.0	480	4	144	127
TLH5F6N13H2	9.0	240	5	17	97
TLH5F6N13H4	9.0	480	5	17	97
TLH5F9N13H2	13.5	240	5	17	99
TLH5F9N13H4	13.5	480	5	17	99
TLH5F6N18H2	12.0	240	5	22	98
TLH5F6N18H4	12.0	480	5	22	98
TLH5F9N18H2	18.0	240	5	22	102
TLH5F9N18H4	18.0	480	5	22	102
TLH5F6N20H2	15.0	240	5	24	99
TLH5F6N20H4	15.0	480	5	24	99
TLH5F9N20H2	22.5	240	5	24	103
TLH5F9N20H4	22.5	480	5	24	103
TLH5F6N25H2	18.0	240	5	29	101
TLH5F6N25H4	18.0	480	5	29	101
TLH5F9N25H2	27.0	240	5	29	106
TLH5F9N25H4	27.0	480	5	29	106
TLH5F6N33H2	24.0	240	5	37	104
TLH5F6N33H4	24.0	480	5	37	104
TLH5F9N33H2	36.0	240	5	37	109
TLH5F9N33H4	36.0	480	5	37	110
TLH5F6N40H2	30.0	240	5	44	116
TLH5F6N40H4	30.0	480	5	44	106
TLH5F9N40H2	45.0	240	5	44	128
TLH5F9N40H4	45.0	480	5	44	114
TLH5F6N48H2	36.0	240	5	52	109
TLH5F6N48H4	36.0	480	5	52	109
TLH5F9N48H2	54.0	240	5	52	118
TLH5F9N48H4	54.0	480	5	52	117
TLH5F6N61H2	50.0	240	5	65	114
TLH5F6N61H4	50.0	480	5	65	114
TLH5F9N61H2	75.0	240	5	65	125
TLH5F9N61H4	75.0	480	5	65	125
TLH5F6N78H2	66.7	240	5	82	120
TLH5F6N78H4	66.7	480	5	82	120
TLH5F9N78H2	100.0	240	5	82	134
TLH5F9N78H4	100.0	480	5	82	134
TLH5F6N88H4	75.0	480	5	92	124
TLH5F9N88H4	112.5	480	5	92	140
TLH5F6N106H4	83.4	480	5	110	130

Over-the-Side

Type TLH

WattDensity: 45

Catalog Number	kW	Voltage	Bundle Diameter (In.)	Horizontal Length (In.)	Weight (lbs.)
TLH5F6N120H4	90.0	480	5	124	135
TLH5F6N140H4	105.0	480	5	144	142
TLH6F12N13H2	18.0	240	6	17	133
TLH6F12N13H4	18.0	480	6	17	133
TLH6F15N13H2	22.5	240	6	17	136
TLH6F15N13H4	22.5	480	6	17	136
TLH6F12N18H2	24.0	240	6	22	137
TLH6F12N18H4	24.0	480	6	22	137
TLH6F15N18H2	30.0	240	6	22	140
TLH6F15N18H4	30.0	480	6	22	140
TLH6F12N20H2	30.0	240	6	24	138
TLH6F12N20H4	30.0	480	6	24	138
TLH6F15N20H2	37.5	240	6	24	142
TLH6F15N20H4	37.5	480	6	24	142
TLH6F12N25H2	36.0	240	6	29	142
TLH6F12N25H4	36.0	480	6	29	142
TLH6F15N25H2	45.0	240	6	29	147
TLH6F15N25H4	45.0	480	6	29	147
TLH6F12N33H2	48.0	240	6	37	147
TLH6F12N33H4	48.0	480	6	37	148
TLH6F15N33H2	60.0	240	6	37	153
TLH6F15N33H4	60.0	480	6	37	154
TLH6F12N40H2	60.0	240	6	44	172
TLH6F12N40H4	60.0	480	6	44	153
TLH6F15N40H2	75.0	240	6	44	184
TLH6F15N40H4	75.0	480	6	44	160
TLH6F12N48H2	72.0	240	6	52	159
TLH6F12N48H4	72.0	480	6	52	158
TLH6F15N48H2	90.0	240	6	52	167
TLH6F15N48H4	90.0	480	6	52	166
TLH6F12N61H2	100.0	240	6	65	168
TLH6F12N61H4	100.0	480	6	65	168
TLH8F18N13H2	27.0	240	8	18	225
TLH8F18N13H4	27.0	480	8	18	225
TLH8F24N13H2	36.0	240	8	18	230
TLH8F24N13H4	36.0	480	8	18	230
TLH8F18N18H2	36.0	240	8	23	230
TLH8F18N18H4	36.0	480	8	23	230
TLH8F24N18H2	48.0	240	8	23	237
TLH8F24N18H4	48.0	480	8	23	237
TLH8F18N20H2	45.0	240	8	25	233
TLH8F18N20H4	45.0	480	8	25	233
TLH8F24N20H2	60.0	240	8	25	240
TLH8F24N20H4	60.0	480	8	25	240
TLH8F18N25H2	54.0	240	8	30	238
TLH8F18N25H4	54.0	480	8	30	238
TLH8F24N25H2	72.0	240	8	30	247
TLH8F24N25H4	72.0	480	8	30	247
TLH8F18N33H2	72.0	240	8	38	246

Over-the-Side

Type TLH

WattDensity: 45

Catalog Number	kW	Voltage	Bundle Diameter (In.)	Horizontal Length (In.)	Weight (lbs.)
TLH8F18N33H4	72.0	480	8	38	247
TLH8F24N33H2	96.0	240	8	38	257
TLH8F24N33H4	96.0	480	8	38	259
TLH8F18N40H2	90.0	240	8	45	283
TLH8F18N40H4	90.0	480	8	45	254
TLH8F24N40H2	120.0	240	8	45	307
TLH8F24N40H4	120.0	480	8	45	269
TLH8F18N48H2	108.0	240	8	53	263
TLH8F18N48H4	108.0	480	8	53	262

WattDensity: 23

Catalog Number	kW	Voltage	Bundle Diameter (In.)	Horizontal Length (In.)	Weight (lbs.)
TLH3F3N18M2	3.0	240	3	21	45
TLH3F3N18M4	3.0	480	3	21	45
TLH3F3N20M2	3.8	240	3	23	46
TLH3F3N20M4	3.8	480	3	23	46
TLH3F3N25M2	4.5	240	3	28	47
TLH3F3N25M4	4.5	480	3	28	47
TLH3F3N33M2	6.0	240	3	36	48
TLH3F3N33M4	6.0	480	3	36	48
TLH3F3N40M2	7.5	240	3	43	49
TLH3F3N40M4	7.5	480	3	43	49
TLH3F3N48M2	9.0	240	3	51	51
TLH3F3N48M4	9.0	480	3	51	51
TLH3F3N52M2	10.0	240	3	55	51
TLH3F3N52M4	10.0	480	3	55	51
TLH3F3N64M2	12.5	240	3	67	54
TLH3F3N64M4	12.5	480	3	67	54
TLH3F3N77M2	15.0	240	3	80	56
TLH3F3N77M4	15.0	480	3	80	56
TLH3F3N88M4	16.8	480	3	91	58
TLH3F3N106M4	18.9	480	3	109	61
TLH3F3N120M4	23.4	480	3	123	64
TLH3F3N140M4	26.0	480	3	143	67
TLH3F3N160M4	30.0	480	3	163	71
TLH4F6N18M2	6.0	240	4	22	83
TLH4F6N18M4	6.0	480	4	22	83
TLH4F6N20M2	7.5	240	4	24	84
TLH4F6N20M4	7.5	480	4	24	84
TLH4F6N25M2	9.0	240	4	29	86
TLH4F6N25M4	9.0	480	4	29	86
TLH4F6N33M2	12.0	240	4	37	89
TLH4F6N33M4	12.0	480	4	37	89
TLH4F6N40M2	15.0	240	4	44	91
TLH4F6N40M4	15.0	480	4	44	91
TLH4F6N48M2	18.0	240	4	52	94
TLH4F6N48M4	18.0	480	4	52	94
TLH4F6N52M2	20.0	240	4	56	96

Over-the-Side

Type TLH

WattDensity: 23

Catalog Number	kW	Voltage	Bundle Diameter (In.)	Horizontal Length (In.)	Weight (lbs.)
TLH4F6N52M4	20.0	480	4	56	96
TLH4F6N64M2	25.0	240	4	68	101
TLH4F6N64M4	25.0	480	4	68	101
TLH4F6N77M2	30.0	240	4	81	105
TLH4F6N77M4	30.0	480	4	81	105
TLH4F6N88M4	33.6	480	4	92	109
TLH4F6N106M4	37.8	480	4	110	115
TLH4F6N120M4	46.8	480	4	124	120
TLH4F6N140M4	52.5	480	4	144	127
TLH4F6N160M4	60.5	480	4	164	135
TLH5F6N18M2	6.0	240	5	22	98
TLH5F6N18M4	6.0	480	5	22	98
TLH5F9N18M2	9.0	240	5	22	101
TLH5F9N18M4	9.0	480	5	22	102
TLH5F6N20M2	7.5	240	5	24	99
TLH5F6N20M4	7.5	480	5	24	99
TLH5F9N20M2	11.3	240	5	24	103
TLH5F9N20M4	11.3	480	5	24	103
TLH5F6N25M2	9.0	240	5	29	101
TLH5F6N25M4	9.0	480	5	29	101
TLH5F9N25M2	13.5	240	5	29	106
TLH5F9N25M4	13.5	480	5	29	106
TLH5F6N33M2	12.0	240	5	37	104
TLH5F6N33M4	12.0	480	5	37	104
TLH5F9N33M2	18.0	240	5	37	110
TLH5F9N33M4	18.0	480	5	37	110
TLH5F6N40M2	15.0	240	5	44	106
TLH5F6N40M4	15.0	480	5	44	106
TLH5F9N40M2	22.5	240	5	44	114
TLH5F9N40M4	22.5	480	5	44	114
TLH5F6N48M2	18.0	240	5	52	109
TLH5F6N48M4	18.0	480	5	52	109
TLH5F9N48M2	27.0	240	5	52	118
TLH5F9N48M4	27.0	480	5	52	118
TLH5F6N52M2	20.0	240	5	56	111
TLH5F6N52M4	20.0	480	5	56	111
TLH5F9N52M2	30.0	240	5	56	120
TLH5F9N52M4	30.0	480	5	56	120
TLH5F6N64M2	25.0	240	5	68	116
TLH5F6N64M4	25.0	480	5	68	116
TLH5F9N64M2	37.5	240	5	68	128
TLH5F9N64M4	37.5	480	5	68	128
TLH5F6N77M2	30.0	240	5	81	120
TLH5F6N77M4	30.0	480	5	81	120
TLH5F9N77M2	45.0	240	5	81	134
TLH5F9N77M4	45.0	480	5	81	134
TLH5F6N88M4	33.6	480	5	92	124
TLH5F9N88M4	50.4	480	5	92	140
TLH5F6N106M4	37.8	480	5	110	130

Over-the-Side

Type TLH

WattDensity: 23

Catalog Number	kW	Voltage	Bundle Diameter (In.)	Horizontal Length (In.)	Weight (lbs.)
TLH5F9N106M4	56.7	480	5	110	150
TLH5F6N120M4	46.8	480	5	124	135
TLH5F9N120M4	70.2	480	5	124	157
TLH5F6N140M4	52.5	480	5	144	142
TLH5F9N140M4	79.0	480	5	144	168
TLH5F6N160M4	60.5	480	5	164	150
TLH5F9N160M4	90.5	480	5	164	178
TLH6F12N18M2	12.0	240	6	22	136
TLH6F12N18M4	12.0	480	6	22	137
TLH6F15N18M2	15.0	240	6	22	139
TLH6F15N18M4	15.0	480	6	22	140
TLH6F12N20M2	15.0	240	6	24	138
TLH6F12N20M4	15.0	480	6	24	138
TLH6F15N20M2	18.8	240	6	24	142
TLH6F15N20M4	18.8	480	6	24	142
TLH6F12N25M2	18.0	240	6	29	142
TLH6F12N25M4	18.0	480	6	29	142
TLH6F15N25M2	22.5	240	6	29	147
TLH6F15N25M4	22.5	480	6	29	147
TLH6F12N33M2	24.0	240	6	37	148
TLH6F12N33M4	24.0	480	6	37	148
TLH6F15N33M2	30.0	240	6	37	154
TLH6F15N33M4	30.0	480	6	37	154
TLH6F12N40M2	30.0	240	6	44	153
TLH6F12N40M4	30.0	480	6	44	153
TLH6F15N40M2	37.5	240	6	44	160
TLH6F15N40M4	37.5	480	6	44	160
TLH6F12N48M2	36.0	240	6	52	159
TLH6F12N48M4	36.0	480	6	52	159
TLH6F15N48M2	45.0	240	6	52	167
TLH6F15N48M4	45.0	480	6	52	167
TLH6F12N52M2	40.0	240	6	56	161
TLH6F12N52M4	40.0	480	6	56	161
TLH6F15N52M2	50.0	240	6	56	171
TLH6F15N52M4	50.0	480	6	56	171
TLH6F12N64M2	50.0	240	6	68	172
TLH6F12N64M4	50.0	480	6	68	172
TLH6F15N64M2	62.5	240	6	68	184
TLH6F15N64M4	62.5	480	6	68	184
TLH6F12N77M2	60.0	240	6	81	179
TLH6F12N77M4	60.0	480	6	81	179
TLH6F15N77M2	75.0	240	6	81	193
TLH6F15N77M4	75.0	480	6	81	193
TLH6F12N88M4	67.2	480	6	92	187
TLH6F15N88M4	84.0	480	6	92	203
TLH6F12N106M4	75.6	480	6	110	201
TLH6F15N106M4	94.5	480	6	110	220
TLH6F12N120M4	93.6	480	6	124	210
TLH6F15N120M4	117.0	480	6	124	232

Over-the-Side

Type TLH

WattDensity: 23

Catalog Number	kW	Voltage	Bundle Diameter (In.)	Horizontal Length (In.)	Weight (lbs.)
TLH6F12N140M4	105.0	480	6	144	225
TLH6F12N160M4	120.5	480	6	164	239
TLH8F18N18M2	18.0	240	8	23	229
TLH8F18N18M4	18.0	480	8	23	230
TLH8F24N18M2	24.0	240	8	23	235
TLH8F24N18M4	24.0	480	8	23	237
TLH8F18N20M2	22.5	240	8	25	233
TLH8F18N20M4	22.5	480	8	25	233
TLH8F24N20M2	30.0	240	8	25	240
TLH8F24N20M4	30.0	480	8	25	240
TLH8F18N25M2	27.0	240	8	30	238
TLH8F18N25M4	27.0	480	8	30	238
TLH8F24N25M2	36.0	240	8	30	247
TLH8F24N25M4	36.0	480	8	30	247
TLH8F18N33M2	36.0	240	8	38	247
TLH8F18N33M4	36.0	480	8	38	247
TLH8F24N33M2	48.0	240	8	38	259
TLH8F24N33M4	48.0	480	8	38	259
TLH8F18N40M2	45.0	240	8	45	254
TLH8F18N40M4	45.0	480	8	45	254
TLH8F24N40M2	60.0	240	8	45	269
TLH8F24N40M4	60.0	480	8	45	269
TLH8F18N48M2	54.0	240	8	53	263
TLH8F18N48M4	54.0	480	8	53	263
TLH8F24N48M2	72.0	240	8	53	280
TLH8F24N48M4	72.0	480	8	53	280
TLH8F18N52M2	60.0	240	8	57	267
TLH8F18N52M4	60.0	480	8	57	267
TLH8F24N52M2	80.0	240	8	57	286
TLH8F24N52M4	80.0	480	8	57	286
TLH8F18N64M2	76.5	240	8	69	283
TLH8F18N64M4	76.5	480	8	69	283
TLH8F24N64M2	102.0	240	8	69	307
TLH8F24N64M4	102.0	480	8	69	307
TLH8F18N77M2	90.0	240	8	82	294
TLH8F18N77M4	90.0	480	8	82	294
TLH8F24N77M2	120.0	240	8	82	322
TLH8F24N77M4	120.0	480	8	82	322
TLH8F18N88M4	100.8	480	8	93	306
TLH8F18N106M4	113.4	480	8	111	326

WattDensity: 20

Catalog Number	kW	Voltage	Bundle Diameter (In.)	Horizontal Length (In.)	Weight (lbs.)
TLH3F3N18B2Y	2.7	240	3	21	45
TLH3F3N18B4Y	2.7	480	3	21	45
TLH3F3N20B2Y	3.3	240	3	23	46
TLH3F3N20B4Y	3.3	480	3	23	46
TLH3F3N25B2Y	4.0	240	3	28	47

Over-the-Side Type TLH

WattDensity: 20

Catalog Number	kW	Voltage	Bundle Diameter (In.)	Horizontal Length (In.)	Weight (lbs.)
TLH3F3N25B4Y	4.0	480	3	28	47
TLH3F3N33B2Y	5.0	240	3	36	48
TLH3F3N33B4Y	5.0	480	3	36	48
TLH3F3N43B2Y	6.7	240	3	46	48
TLH3F3N43B4Y	6.7	480	3	46	50
TLH3F3N52B2Y	8.3	240	3	55	50
TLH3F3N52B4Y	8.3	480	3	55	51
TLH3F3N61B2Y	10.0	240	3	64	53
TLH3F3N61B4Y	10.0	480	3	64	53
TLH3F3N88B4Y	14.8	480	3	91	58
TLH3F3N106B4Y	16.7	480	3	109	61
TLH3F3N120B4Y	19.0	480	3	123	64
TLH4F6N18B2Y	5.3	240	4	22	83
TLH4F6N18B4Y	5.3	480	4	22	83
TLH4F6N20B2Y	6.7	240	4	24	84
TLH4F6N20B4Y	6.7	480	4	24	84
TLH4F6N25B2Y	8.0	240	4	29	86
TLH4F6N25B4Y	8.0	480	4	29	86
TLH4F6N33B2Y	10.0	240	4	37	89
TLH4F6N33B4Y	10.0	480	4	37	89
TLH4F6N43B2Y	13.3	240	4	47	89
TLH4F6N43B4Y	13.3	480	4	47	92
TLH4F6N52B2Y	16.7	240	4	56	94
TLH4F6N52B4Y	16.7	480	4	56	96
TLH4F6N61B2Y	20.0	240	4	65	99
TLH4F6N61B4Y	20.0	480	4	65	99
TLH4F6N88B4Y	29.6	480	4	92	109
TLH4F6N106B4Y	33.4	480	4	110	115
TLH4F6N120B4Y	38.0	480	4	124	120
TLH5F6N18B2Y	5.3	240	5	22	98
TLH5F6N18B4Y	5.3	480	5	22	98
TLH5F9N18B2Y	8.0	240	5	22	102
TLH5F9N18B4Y	8.0	480	5	22	102
TLH5F6N20B2Y	6.7	240	5	24	99
TLH5F6N20B4Y	6.7	480	5	24	99
TLH5F9N20B2Y	10.0	240	5	24	103
TLH5F9N20B4Y	10.0	480	5	24	103
TLH5F6N25B2Y	8.0	240	5	29	101
TLH5F6N25B4Y	8.0	480	5	29	101
TLH5F9N25B2Y	12.0	240	5	29	106
TLH5F9N25B4Y	12.0	480	5	29	106
TLH5F6N33B2Y	10.0	240	5	37	104
TLH5F6N33B4Y	10.0	480	5	37	104
TLH5F9N33B2Y	15.0	240	5	37	109
TLH5F9N33B4Y	15.0	480	5	37	110
TLH5F6N43B2Y	13.3	240	5	47	104
TLH5F6N43B4Y	13.3	480	5	47	107
TLH5F9N43B2Y	20.0	240	5	47	110
TLH5F9N43B4Y	20.0	480	5	47	115

Over-the-Side

Type TLH

WattDensity: 20

Catalog Number	kW	Voltage	Bundle Diameter (In.)	Horizontal Length (In.)	Weight (lbs.)
TLH5F6N52B2Y	16.7	240	5	56	109
TLH5F6N52B4Y	16.7	480	5	56	111
TLH5F9N52B2Y	25.0	240	5	56	117
TLH5F9N52B4Y	25.0	480	5	56	120
TLH5F6N61B2Y	20.0	240	5	65	114
TLH5F6N61B4Y	20.0	480	5	65	114
TLH5F9N61B2Y	30.0	240	5	65	125
TLH5F9N61B4Y	30.0	480	5	65	125
TLH5F6N88B4Y	29.6	480	5	92	124
TLH5F9N88B4Y	44.4	480	5	92	140
TLH5F6N106B4Y	33.4	480	5	110	130
TLH5F9N106B4Y	50.1	480	5	110	150
TLH5F6N120B4Y	38.0	480	5	124	135
TLH5F9N120B4Y	57.0	480	5	124	157
TLH6F12N18B2Y	10.7	240	6	22	137
TLH6F12N18B4Y	10.7	480	6	22	137
TLH6F15N18B2Y	13.3	240	6	22	140
TLH6F15N18B4Y	13.3	480	6	22	140
TLH6F12N20B2Y	13.3	240	6	24	138
TLH6F12N20B4Y	13.3	480	6	24	138
TLH6F15N20B2Y	16.7	240	6	24	142
TLH6F15N20B4Y	16.7	480	6	24	142
TLH6F12N25B2Y	16.0	240	6	29	142
TLH6F12N25B4Y	16.0	480	6	29	142
TLH6F15N25B2Y	20.0	240	6	29	147
TLH6F15N25B4Y	20.0	480	6	29	147
TLH6F12N33B2Y	20.0	240	6	37	147
TLH6F12N33B4Y	20.0	480	6	37	148
TLH6F15N33B2Y	25.0	240	6	37	153
TLH6F15N33B4Y	25.0	480	6	37	154
TLH6F12N43B4Y	26.6	480	6	47	155
TLH6F12N43B2Y	26.7	240	6	47	148
TLH6F15N43B2Y	33.3	240	6	47	154
TLH6F15N43B4Y	33.3	480	6	47	163
TLH6F12N52B2Y	33.3	240	6	56	158
TLH6F12N52B4Y	33.4	480	6	56	161
TLH6F15N52B2Y	41.7	240	6	56	166
TLH6F15N52B4Y	41.7	480	6	56	171
TLH6F12N61B2Y	40.0	240	6	65	168
TLH6F12N61B4Y	40.0	480	6	65	168
TLH6F15N61B2Y	50.0	240	6	65	179
TLH6F15N61B4Y	50.0	480	6	65	179
TLH6F12N88B4Y	59.2	480	6	92	187
TLH6F15N88B4Y	74.0	480	6	92	203
TLH6F12N106B4Y	66.8	480	6	110	201
TLH6F15N106B4Y	83.5	480	6	110	220
TLH6F12N120B4Y	76.0	480	6	124	210
TLH6F15N120B4Y	95.0	480	6	124	232
TLH8F18N18B2Y	16.0	240	8	23	230

Over-the-Side

Type TLH

WattDensity: 20

Catalog Number	kW	Voltage	Bundle Diameter (In.)	Horizontal Length (In.)	Weight (lbs.)
TLH8F18N18B4Y	16.0	480	8	23	230
TLH8F24N18B2Y	21.3	240	8	23	237
TLH8F24N18B4Y	21.3	480	8	23	237
TLH8F18N20B2Y	20.0	240	8	25	233
TLH8F18N20B4Y	20.0	480	8	25	233
TLH8F24N20B2Y	26.7	240	8	25	240
TLH8F24N20B4Y	26.7	480	8	25	240
TLH8F18N25B2Y	24.0	240	8	30	238
TLH8F18N25B4Y	24.0	480	8	30	238
TLH8F24N25B2Y	32.0	240	8	30	247
TLH8F24N25B4Y	32.0	480	8	30	247
TLH8F18N33B2Y	30.0	240	8	38	246
TLH8F18N33B4Y	30.0	480	8	38	247
TLH8F24N33B2Y	40.0	240	8	38	257
TLH8F24N33B4Y	40.0	480	8	38	259
TLH8F18N43B2Y	40.0	240	8	48	247
TLH8F18N43B4Y	40.0	480	8	48	257
TLH8F24N43B2Y	53.2	240	8	48	259
TLH8F24N43B4Y	53.2	480	8	48	273
TLH8F18N52B2Y	50.0	240	8	57	262
TLH8F18N52B4Y	50.0	480	8	57	267
TLH8F24N52B2Y	66.8	240	8	57	279
TLH8F24N52B4Y	66.8	480	8	57	286
TLH8F18N61B2Y	60.0	240	8	66	277
TLH8F18N61B4Y	60.0	480	8	66	277
TLH8F24N61B2Y	80.0	240	8	66	299
TLH8F24N61B4Y	80.0	480	8	66	299
TLH8F18N88B4Y	89.0	480	8	93	306
TLH8F24N88B4Y	118.0	480	8	93	338
TLH8F18N106B4Y	100.0	480	8	111	326
TLH8F18N120B4Y	113.8	480	8	125	341

WattDensity: 15

Catalog Number	kW	Voltage	Bundle Diameter (In.)	Horizontal Length (In.)	Weight (lbs.)
TLH3F3N13H2Y	1.5	240	3	16	44
TLH3F3N13H4Y	1.5	480	3	16	44
TLH3F3N18H2Y	2.0	240	3	21	45
TLH3F3N18H4Y	2.0	480	3	21	45
TLH3F3N20H2Y	2.5	240	3	23	46
TLH3F3N20H4Y	2.5	480	3	23	46
TLH3F3N25H2Y	3.0	240	3	28	47
TLH3F3N25H4Y	3.0	480	3	28	47
TLH3F3N33H2Y	4.0	240	3	36	48
TLH3F3N33H4Y	4.0	480	3	36	48
TLH3F3N40H2Y	5.0	240	3	43	54
TLH3F3N40H4Y	5.0	480	3	43	49
TLH3F3N48H2Y	6.0	240	3	51	51
TLH3F3N48H4Y	6.0	480	3	51	50

Over-the-Side

Type TLH

WattDensity: 15

Catalog Number	kW	Voltage	Bundle Diameter (In.)	Horizontal Length (In.)	Weight (lbs.)
TLH3F3N61H2Y	8.3	240	3	64	53
TLH3F3N61H4Y	8.3	480	3	64	53
TLH3F3N78H2Y	11.1	240	3	81	56
TLH3F3N78H4Y	11.1	480	3	81	56
TLH3F3N88H4Y	12.5	480	3	91	58
TLH3F3N106H4Y	13.9	480	3	109	61
TLH3F3N120H4Y	15.0	480	3	123	64
TLH3F3N140H4Y	17.5	480	3	143	67
TLH3F3N160H4Y	20.0	480	3	163	71
TLH3F3N180H4Y	22.5	480	3	183	74
TLH4F6N13H2Y	3.0	240	4	17	82
TLH4F6N13H4Y	3.0	480	4	17	82
TLH4F6N18H2Y	4.0	240	4	22	83
TLH4F6N18B2S	4.0	240	4	22	83
TLH4F6N18H4Y	4.0	480	4	22	83
TLH4F6N18B4S	4.0	480	4	22	83
TLH4F6N20H2Y	5.0	240	4	24	84
TLH4F6N20B2S	5.0	240	4	24	84
TLH4F6N20B4S	5.0	480	4	24	84
TLH4F6N20H4Y	5.0	480	4	24	84
TLH4F6N25B2S	6.0	240	4	29	86
TLH4F6N25H2Y	6.0	240	4	29	86
TLH4F6N25B4S	6.0	480	4	29	86
TLH4F6N25H4Y	6.0	480	4	29	86
TLH4F6N33B2S	7.5	240	4	37	89
TLH4F6N33B4S	7.5	480	4	37	89
TLH4F6N33H2Y	8.0	240	4	37	89
TLH4F6N33H4Y	8.0	480	4	37	89
TLH4F6N40H2Y	10.0	240	4	44	101
TLH4F6N40H4Y	10.0	480	4	44	91
TLH4F6N43B2S	10.0	240	4	47	89
TLH4F6N43B4S	10.0	480	4	47	92
TLH4F6N48H2Y	12.0	240	4	52	94
TLH4F6N48H4Y	12.0	480	4	52	94
TLH4F6N52B2S	12.5	240	4	56	94
TLH4F6N52B4S	12.5	480	4	56	96
TLH4F6N61B2S	15.0	240	4	65	99
TLH4F6N61B4S	15.0	480	4	65	99
TLH4F6N61H2Y	16.7	240	4	65	99
TLH4F6N61H4Y	16.7	480	4	65	99
TLH4F6N78H2Y	22.2	240	4	82	105
TLH4F6N78H4Y	22.2	480	4	82	105
TLH4F6N88B4S	22.2	480	4	92	109
TLH4F6N88H4Y	25.0	480	4	92	109
TLH4F6N106B4S	25.1	480	4	110	115
TLH4F6N106H4Y	27.8	480	4	110	115
TLH4F6N120B4S	28.5	480	4	124	120
TLH4F6N120H4Y	30.0	480	4	124	120
TLH4F6N140H4Y	35.0	480	4	144	127

Over-the-Side

Type TLH

WattDensity: 15

Catalog Number	kW	Voltage	Bundle Diameter (In.)	Horizontal Length (In.)	Weight (lbs.)
TLH4F6N160H4Y	40.0	480	4	164	135
TLH4F6N180H4Y	45.0	480	4	184	142
TLH5F6N13H2Y	3.0	240	5	17	97
TLH5F6N13H4Y	3.0	480	5	17	97
TLH5F9N13H2Y	4.5	240	5	17	99
TLH5F9N13H4Y	4.5	480	5	17	99
TLH5F6N18H2Y	4.0	240	5	22	98
TLH5F6N18B2S	4.0	240	5	22	98
TLH5F6N18B4S	4.0	480	5	22	98
TLH5F6N18H4Y	4.0	480	5	22	98
TLH5F9N18H2Y	6.0	240	5	22	102
TLH5F9N18H4Y	6.0	480	5	22	102
TLH5F6N20B2S	5.0	240	5	24	99
TLH5F6N20H2Y	5.0	240	5	24	99
TLH5F6N20H4Y	5.0	480	5	24	99
TLH5F6N20B4S	5.0	480	5	24	99
TLH5F9N20H2Y	7.5	240	5	24	103
TLH5F9N20H4Y	7.5	480	5	24	103
TLH5F6N25H2Y	6.0	240	5	29	101
TLH5F6N25B2S	6.0	240	5	29	101
TLH5F6N25B4S	6.0	480	5	29	101
TLH5F6N25H4Y	6.0	480	5	29	101
TLH5F9N25H2Y	9.0	240	5	29	106
TLH5F9N25H4Y	9.0	480	5	29	106
TLH5F6N33B2S	7.5	240	5	37	104
TLH5F6N33B4S	7.5	480	5	37	104
TLH5F6N33H2Y	8.0	240	5	37	104
TLH5F6N33H4Y	8.0	480	5	37	104
TLH5F9N33H2Y	12.0	240	5	37	109
TLH5F9N33H4Y	12.0	480	5	37	110
TLH5F6N40H2Y	10.0	240	5	44	116
TLH5F6N40H4Y	10.0	480	5	44	106
TLH5F9N40H2Y	15.0	240	5	44	128
TLH5F9N40H4Y	15.0	480	5	44	114
TLH5F6N43B2S	10.0	240	5	47	104
TLH5F6N43B4S	10.0	480	5	47	107
TLH5F6N48H2Y	12.0	240	5	52	109
TLH5F6N48H4Y	12.0	480	5	52	109
TLH5F9N48H2Y	18.0	240	5	52	118
TLH5F9N48H4Y	18.0	480	5	52	117
TLH5F6N52B2S	12.5	240	5	56	109
TLH5F6N52B4S	12.5	480	5	56	111
TLH5F6N61B2S	15.0	240	5	65	114
TLH5F6N61B4S	15.0	480	5	65	114
TLH5F6N61H2Y	16.7	240	5	65	114
TLH5F6N61H4Y	16.7	480	5	65	114
TLH5F9N61H2Y	25.0	240	5	65	125
TLH5F9N61H4Y	25.0	480	5	65	125
TLH5F6N78H2Y	22.2	240	5	82	120

Over-the-Side

Type TLH

WattDensity: 15

Catalog Number	kW	Voltage	Bundle Diameter (In.)	Horizontal Length (In.)	Weight (lbs.)
TLH5F6N78H4Y	22.2	480	5	82	120
TLH5F9N78H2Y	33.3	240	5	82	134
TLH5F9N78H4Y	33.3	480	5	82	134
TLH5F6N88B4S	22.2	480	5	92	124
TLH5F6N88H4Y	25.0	480	5	92	124
TLH5F9N88H4Y	37.5	480	5	92	140
TLH5F6N106B4D	25.1	240	5	110	130
TLH5F6N106B4S	25.1	480	5	110	130
TLH5F6N106H4Y	27.8	480	5	110	130
TLH5F9N106H4Y	41.7	480	5	110	149
TLH5F6N120B4S	28.5	480	5	124	135
TLH5F6N120H4Y	30.0	480	5	124	135
TLH5F9N120H4Y	45.0	480	5	124	157
TLH5F6N140H4Y	35.0	480	5	144	142
TLH5F9N140H4Y	52.5	480	5	144	168
TLH5F6N160H4Y	40.0	480	5	164	150
TLH5F9N160H4Y	60.0	480	5	164	178
TLH5F6N180H4Y	45.0	480	5	184	157
TLH5F9N180H4Y	67.5	480	5	184	189
TLH6F12N13H2Y	6.0	240	6	17	133
TLH6F12N13H4Y	6.0	480	6	17	133
TLH6F15N13H2Y	7.5	240	6	17	136
TLH6F15N13H4Y	7.5	480	6	17	136
TLH6F12N18B2S	8.0	240	6	22	137
TLH6F12N18H2Y	8.0	240	6	22	137
TLH6F12N18H4Y	8.0	480	6	22	137
TLH6F12N18B4S	8.0	480	6	22	137
TLH6F15N18H2Y	10.0	240	6	22	140
TLH6F15N18H4Y	10.0	480	6	22	140
TLH6F12N20H2Y	10.0	240	6	24	138
TLH6F12N20B2S	10.0	240	6	24	138
TLH6F12N20H4Y	10.0	480	6	24	138
TLH6F12N20B4S	10.0	480	6	24	138
TLH6F15N20H2Y	12.5	240	6	24	142
TLH6F15N20H4Y	12.5	480	6	24	142
TLH6F12N25H2Y	12.0	240	6	29	142
TLH6F12N25B2S	12.0	240	6	29	142
TLH6F12N25H4Y	12.0	480	6	29	142
TLH6F12N25B4S	12.0	480	6	29	142
TLH6F15N25H2Y	15.0	240	6	29	147
TLH6F15N25H4Y	15.0	480	6	29	147
TLH6F12N33B2S	15.0	240	6	37	147
TLH6F12N33B4S	15.0	480	6	37	148
TLH6F12N33H2Y	16.0	240	6	37	147
TLH6F12N33H4Y	16.0	480	6	37	148
TLH6F15N33H2Y	20.0	240	6	37	153
TLH6F15N33H4Y	20.0	480	6	37	154
TLH6F12N40H2Y	20.0	240	6	44	172
TLH6F12N40H4Y	20.0	480	6	44	153

Over-the-Side

Type TLH

WattDensity: 15

Catalog Number	kW	Voltage	Bundle Diameter (In.)	Horizontal Length (In.)	Weight (lbs.)
TLH6F15N40H2Y	25.0	240	6	44	184
TLH6F15N40H4Y	25.0	480	6	44	160
TLH6F12N43B2S	20.0	240	6	47	148
TLH6F12N43B4S	20.0	480	6	47	155
TLH6F12N48H2Y	24.0	240	6	52	159
TLH6F12N48H4Y	24.0	480	6	52	158
TLH6F15N48H2Y	30.0	240	6	52	167
TLH6F15N48H4Y	30.0	480	6	52	166
TLH6F12N52B2S	25.0	240	6	56	158
TLH6F12N52B4S	25.0	480	6	56	161
TLH6F12N61B2S	30.0	240	6	65	168
TLH6F12N61B4S	30.0	480	6	65	168
TLH6F12N61H2Y	33.3	240	6	65	168
TLH6F12N61H4Y	33.3	480	6	65	168
TLH6F15N61H2Y	41.7	240	6	65	179
TLH6F15N61H4Y	41.7	480	6	65	179
TLH6F12N78H2Y	44.4	240	6	82	180
TLH6F12N78H4Y	44.4	480	6	82	180
TLH6F15N78H2Y	55.5	240	6	82	194
TLH6F15N78H4Y	55.5	480	6	82	194
TLH6F12N88B4D	44.4	240	6	92	187
TLH6F12N88H4Y	50.0	480	6	92	187
TLH6F15N88H4Y	62.5	480	6	92	203
TLH6F12N106B4S	50.1	480	6	110	201
TLH6F12N106H4Y	55.6	480	6	110	200
TLH6F15N106H4Y	69.5	480	6	110	219
TLH6F12N120B4S	57.0	480	6	124	210
TLH6F12N120H4Y	60.0	480	6	124	210
TLH6F15N120H4Y	75.0	480	6	124	232
TLH6F12N140H4Y	70.0	480	6	144	225
TLH6F15N140H4Y	87.5	480	6	144	250
TLH6F12N160H4Y	80.0	480	6	164	239
TLH6F15N160H4Y	101.0	480	6	164	268
TLH6F12N180H4Y	90.0	480	6	184	254
TLH6F15N180H4Y	112.5	480	6	184	286
TLH8F18N13H2Y	9.0	240	8	18	225
TLH8F18N13H4Y	9.0	480	8	18	225
TLH8F24N13H2Y	12.0	240	8	18	230
TLH8F24N13H4Y	12.0	480	8	18	230
TLH8F18N18B2S	12.0	240	8	23	230
TLH8F18N18H2Y	12.0	240	8	23	230
TLH8F18N18B4S	12.0	480	8	23	230
TLH8F18N18H4Y	12.0	480	8	23	230
TLH8F24N18H2Y	16.0	240	8	23	237
TLH8F24N18B2S	16.0	240	8	23	237
TLH8F24N18H4Y	16.0	480	8	23	237
TLH8F24N18B4S	16.0	480	8	23	237
TLH8F18N20H2Y	15.0	240	8	25	233
TLH8F18N20B2S	15.0	240	8	25	233

Over-the-Side

Type TLH

WattDensity: 15

Catalog Number	kW	Voltage	Bundle Diameter (In.)	Horizontal Length (In.)	Weight (lbs.)
TLH8F18N20B4S	15.0	480	8	25	233
TLH8F18N20H4Y	15.0	480	8	25	233
TLH8F24N20H2Y	20.0	240	8	25	240
TLH8F24N20B2S	20.0	240	8	25	240
TLH8F24N20B4S	20.0	480	8	25	240
TLH8F24N20H4Y	20.0	480	8	25	240
TLH8F18N25B2S	18.0	240	8	30	238
TLH8F18N25H2Y	18.0	240	8	30	238
TLH8F18N25B4S	18.0	480	8	30	238
TLH8F18N25H4Y	18.0	480	8	30	238
TLH8F24N25B2S	24.0	240	8	30	247
TLH8F24N25H2Y	24.0	240	8	30	247
TLH8F24N25H4Y	24.0	480	8	30	247
TLH8F24N25B4S	24.0	480	8	30	247
TLH8F18N33B2S	22.5	240	8	38	246
TLH8F18N33B4S	22.5	480	8	38	247
TLH8F18N33H2Y	24.0	240	8	38	246
TLH8F18N33H4Y	24.0	480	8	38	247
TLH8F24N33B2S	30.0	240	8	38	257
TLH8F24N33B4S	30.0	480	8	38	259
TLH8F24N33H2Y	32.0	240	8	38	257
TLH8F24N33H4Y	32.0	480	8	38	259
TLH8F18N40H2Y	30.0	240	8	45	283
TLH8F18N40H4Y	30.0	480	8	45	254
TLH8F24N40H2Y	40.0	240	8	45	307
TLH8F24N40H4Y	40.0	480	8	45	269
TLH8F18N43B2S	30.0	240	8	48	247
TLH8F18N43B4S	30.0	480	8	48	257
TLH8F24N43B2S	40.0	240	8	48	259
TLH8F24N43B4S	40.0	480	8	48	273
TLH8F18N48H2Y	36.0	240	8	53	263
TLH8F18N48H4Y	36.0	480	8	53	262
TLH8F24N48H2Y	48.0	240	8	53	280
TLH8F24N48H4Y	48.0	480	8	53	279
TLH8F18N52B2S	37.5	240	8	57	262
TLH8F18N52B4S	37.5	480	8	57	267
TLH8F24N52B2S	50.0	240	8	57	279
TLH8F24N52B4S	50.0	480	8	57	286
TLH8F18N61B2S	45.0	240	8	66	277
TLH8F18N61B4S	45.0	480	8	66	277
TLH8F18N61H4Y	50.0	480	8	66	277
TLH8F24N61B2S	60.0	240	8	66	299
TLH8F24N61B4S	60.0	480	8	66	299
TLH8F24N61H2Y	66.7	240	8	66	299
TLH8F24N61H4Y	66.7	480	8	66	299
TLH8F18N78H4Y	67.0	480	8	83	295
TLH8F24N78H2Y	88.8	240	8	83	323
TLH8F24N78H4Y	88.8	480	8	83	323
TLH8F18N88B4S	66.6	480	8	93	306

Over-the-Side Type TLH

WattDensity: 15

Catalog Number	kW	Voltage	Bundle Diameter (In.)	Horizontal Length (In.)	Weight (lbs.)
TLH8F18N88H4Y	75.0	480	8	93	306
TLH8F24N88B4S	88.8	480	8	93	338
TLH8F24N88H4Y	100.0	480	8	93	338
TLH8F18N106B4S	75.0	480	8	111	326
TLH8F18N106H4Y	83.3	480	8	111	325
TLH8F24N106B4S	100.0	480	8	111	365
TLH8F24N106H4Y	111.0	480	8	111	364
TLH8F18N120B4S	85.3	480	8	125	341
TLH8F18N120H4Y	89.9	480	8	125	341
TLH8F24N120B4S	113.8	480	8	125	384
TLH8F24N120H4Y	119.8	480	8	125	384
TLH8F18N140H4Y	104.8	480	8	145	362

WattDensity: 12

Catalog Number	kW	Voltage	Bundle Diameter (In.)	Horizontal Length (In.)	Weight (lbs.)
TLH4F6N13H2S	2.2	240	4	17	82
TLH4F6N13H4S	2.2	480	4	17	82
TLH4F6N18H2S	3.0	240	4	22	83
TLH4F6N18H4S	3.0	480	4	22	83
TLH4F6N20H2S	3.8	240	4	24	84
TLH4F6N20H4S	3.8	480	4	24	84
TLH4F6N25H2S	4.5	240	4	29	86
TLH4F6N25H4S	4.5	480	4	29	86
TLH4F6N33H2S	6.0	240	4	37	89
TLH4F6N33H4S	6.0	480	4	37	89
TLH4F6N40H2S	7.5	240	4	44	101
TLH4F6N40H4S	7.5	480	4	44	91
TLH4F6N48H2S	9.0	240	4	52	94
TLH4F6N48H4S	9.0	480	4	52	94
TLH4F6N61H2S	12.5	240	4	65	99
TLH4F6N61H4S	12.5	480	4	65	99
TLH4F6N78H2S	16.7	240	4	82	105
TLH4F6N78H4S	16.7	480	4	82	105
TLH4F6N88H4D	18.8	240	4	92	109
TLH4F6N88H4S	18.8	480	4	92	109
TLH4F6N106H4D	20.8	240	4	110	115
TLH4F6N106H4S	20.8	480	4	110	115
TLH4F6N120H4D	22.5	240	4	124	120
TLH4F6N120H4S	22.5	480	4	124	120
TLH4F6N140H4D	26.2	240	4	144	127
TLH4F6N140H4S	26.2	480	4	144	127
TLH4F6N160H4D	30.0	240	4	164	135
TLH4F6N160H4S	30.0	480	4	164	135
TLH4F6N180H4D	34.0	240	4	184	142
TLH4F6N180H4S	34.0	480	4	184	142
TLH5F6N13H2S	2.2	240	5	17	97
TLH5F6N13H4S	2.2	480	5	17	97
TLH5F6N18H2S	3.0	240	5	22	98

Over-the-Side Type TLH

WattDensity: 12

Catalog Number	kW	Voltage	Bundle Diameter (In.)	Horizontal Length (In.)	Weight (lbs.)
TLH5F6N18H4S	3.0	480	5	22	98
TLH5F6N20H2S	3.8	240	5	24	99
TLH5F6N20H4S	3.8	480	5	24	99
TLH5F6N25H2S	4.5	240	5	29	101
TLH5F6N25H4S	4.5	480	5	29	101
TLH5F6N33H2S	6.0	240	5	37	104
TLH5F6N33H4S	6.0	480	5	37	104
TLH5F6N40H2S	7.5	240	5	44	116
TLH5F6N40H4S	7.5	480	5	44	106
TLH5F6N48H2S	9.0	240	5	52	109
TLH5F6N48H4S	9.0	480	5	52	109
TLH5F6N61H2S	12.5	240	5	65	114
TLH5F6N61H4S	12.5	480	5	65	114
TLH5F6N78H2S	16.7	240	5	82	120
TLH5F6N78H4S	16.7	480	5	82	120
TLH5F6N88H4S	18.8	480	5	92	124
TLH5F6N88H4D	19.0	240	5	92	124
TLH5F6N106H4D	20.8	240	5	110	130
TLH5F6N106H4S	20.8	480	5	110	130
TLH5F6N120H4S	22.5	480	5	124	135
TLH5F6N120H4D	90.0	240	5	124	135
TLH5F6N140H4D	26.2	240	5	144	142
TLH5F6N140H4S	26.2	480	5	144	142
TLH5F6N160H4D	30.0	240	5	164	150
TLH5F6N160H4S	30.0	480	5	164	150
TLH5F6N180H4D	34.0	240	5	184	157
TLH5F6N180H4S	34.0	480	5	184	157
TLH6F12N13H2S	4.5	240	6	17	133
TLH6F12N13H4S	4.5	480	6	17	133
TLH6F12N18H2S	6.0	240	6	22	137
TLH6F12N18H4S	6.0	480	6	22	137
TLH6F12N20H2S	7.5	240	6	24	138
TLH6F12N20H4S	7.5	480	6	24	138
TLH6F12N25H2S	9.0	240	6	29	142
TLH6F12N25H4S	9.0	480	6	29	142
TLH6F12N33H2S	12.0	240	6	37	147
TLH6F12N33H4S	12.0	480	6	37	148
TLH6F12N40H2S	15.0	240	6	44	172
TLH6F12N40H4S	15.0	480	6	44	153
TLH6F12N48H2S	18.0	240	6	52	159
TLH6F12N48H4S	18.0	480	6	52	158
TLH6F12N61H2S	25.0	240	6	65	168
TLH6F12N61H4S	25.0	480	6	65	168
TLH6F12N78H2S	33.3	240	6	82	180
TLH6F12N78H4S	33.3	480	6	82	180
TLH6F12N88H4D	37.5	240	6	92	187
TLH6F12N88H4S	37.5	480	6	92	187
TLH6F12N106H4D	41.7	240	6	110	200
TLH6F12N106H4S	41.7	480	6	110	200

Over-the-Side

Type TLH

WattDensity: 12

Catalog Number	kW	Voltage	Bundle Diameter (In.)	Horizontal Length (In.)	Weight (lbs.)
TLH6F12N120H4D	45.0	240	6	124	210
TLH6F12N120H4S	45.0	480	6	124	210
TLH6F12N140H4D	52.5	240	6	144	225
TLH6F12N140H4S	52.5	480	6	144	225
TLH6F12N160H4D	60.0	240	6	164	239
TLH6F12N160H4S	60.0	480	6	164	239
TLH6F12N180H4D	67.5	240	6	184	254
TLH6F12N180H4S	67.5	480	6	184	254
TLH8F18N13H2S	6.7	240	8	18	225
TLH8F18N13H4S	6.7	480	8	18	225
TLH8F24N13H2S	9.0	240	8	18	230
TLH8F24N13H4S	9.0	480	8	18	230
TLH8F18N18H2S	9.0	240	8	23	230
TLH8F18N18H4S	9.0	480	8	23	230
TLH8F24N18H2S	12.0	240	8	23	237
TLH8F24N18H4S	12.0	480	8	23	237
TLH8F18N61H4S	37.5	480	8	23	277
TLH8F18N20H2S	11.3	240	8	25	233
TLH8F18N20H4S	11.3	480	8	25	233
TLH8F24N20H2S	15.0	240	8	25	240
TLH8F24N20H4S	15.0	480	8	25	240
TLH8F18N25H2S	13.5	240	8	30	238
TLH8F18N25H4S	13.5	480	8	30	238
TLH8F24N25H2S	18.0	240	8	30	247
TLH8F24N25H4S	18.0	480	8	30	247
TLH8F18N33H2S	18.0	240	8	38	246
TLH8F18N33H4S	18.0	480	8	38	247
TLH8F24N33H2S	24.0	240	8	38	257
TLH8F24N33H4S	24.0	480	8	38	259
TLH8F18N40H2S	22.5	240	8	45	283
TLH8F18N40H4S	22.5	480	8	45	254
TLH8F24N40H2S	30.0	240	8	45	307
TLH8F24N40H4S	30.0	480	8	45	269
TLH8F18N48H2S	27.0	240	8	53	263
TLH8F18N48H4S	27.0	480	8	53	262
TLH8F24N48H2S	36.0	240	8	53	280
TLH8F24N48H4S	36.0	480	8	53	279
TLH8F18N61H2S	37.5	240	8	66	277
TLH8F24N61H2S	50.0	240	8	66	299
TLH8F24N61H4S	50.0	480	8	66	299
TLH8F18N78H2S	50.0	240	8	83	295
TLH8F18N78H4S	50.0	480	8	83	295
TLH8F24N78H2S	66.7	240	8	83	323
TLH8F24N78H4S	66.7	480	8	83	323
TLH8F18N88H4D	56.3	240	8	93	306
TLH8F18N88H4S	56.3	480	8	93	306
TLH8F24N88H4D	75.0	240	8	93	338
TLH8F24N88H4S	75.0	480	8	93	338
TLH8F18N106H4D	62.5	240	8	111	325

Over-the-Side Type TLH

WattDensity: 12

Catalog Number	kW	Voltage	Bundle Diameter (In.)	Horizontal Length (In.)	Weight (lbs.)
TLH8F18N106H4S	62.5	480	8	111	325
TLH8F24N106H4D	83.5	240	8	111	364
TLH8F24N106H4S	83.5	480	8	111	364
TLH8F18N120H4D	67.5	240	8	125	341
TLH8F18N120H4S	67.5	480	8	125	341
TLH8F24N120H4D	90.1	240	8	125	384
TLH8F24N120H4S	90.1	480	8	125	384
TLH8F18N140H4D	78.7	240	8	145	362
TLH8F18N140H4S	78.7	480	8	145	362
TLH8F24N140H4D	105.1	240	8	145	413
TLH8F24N140H4S	105.1	480	8	145	413
TLH8F18N160H4S	90.0	480	8	165	384
TLH8F18N160H4D	91.0	240	8	165	384
TLH8F18N180H4D	101.0	240	8	185	405
TLH8F18N180H4S	101.0	480	8	185	405

WattDensity: 8

Catalog Number	kW	Voltage	Bundle Diameter (In.)	Horizontal Length (In.)	Weight (lbs.)
TLH3F3N18M2Y	1.0	240	3	21	45
TLH3F3N18M4Y	1.0	480	3	21	45
TLH3F3N20M2Y	1.3	240	3	23	46
TLH3F3N20M4Y	1.3	480	3	23	46
TLH3F3N25M2Y	1.5	240	3	28	47
TLH3F3N25M4Y	1.5	480	3	28	47
TLH3F3N33M2Y	2.0	240	3	36	48
TLH3F3N33M4Y	2.0	480	3	36	48
TLH3F3N40M2Y	2.5	240	3	43	49
TLH3F3N40M4Y	2.5	480	3	43	49
TLH3F3N48M2Y	3.0	240	3	51	51
TLH3F3N48M4Y	3.0	480	3	51	51
TLH3F3N52M2Y	3.3	240	3	55	51
TLH3F3N52M4Y	3.3	480	3	55	51
TLH3F3N64M2Y	4.2	240	3	67	54
TLH3F3N64M4Y	4.2	480	3	67	54
TLH3F3N77M2Y	5.0	240	3	80	56
TLH3F3N77M4Y	5.0	480	3	80	56
TLH3F3N88M4Y	5.6	480	3	91	58
TLH3F3N106M4Y	6.3	480	3	109	61
TLH3F3N120M4Y	7.8	480	3	123	64
TLH3F3N140M4Y	9.0	480	3	143	67
TLH3F3N160M4Y	10.0	480	3	163	71
TLH4F6N18M2Y	2.0	240	4	22	83
TLH4F6N18M4Y	2.0	480	4	22	83
TLH4F6N20M2Y	2.5	240	4	24	84
TLH4F6N20M4Y	2.5	480	4	24	84
TLH4F6N25M2Y	3.0	240	4	29	86
TLH4F6N25M4Y	3.0	480	4	29	86
TLH4F6N33M2Y	4.0	240	4	37	89

Over-the-Side

Type TLH

WattDensity: 8

Catalog Number	kW	Voltage	Bundle Diameter (In.)	Horizontal Length (In.)	Weight (lbs.)
TLH4F6N33M4Y	4.0	480	4	37	89
TLH4F6N40M2Y	5.0	240	4	44	91
TLH4F6N40M4Y	5.0	480	4	44	91
TLH4F6N48M2Y	6.0	240	4	52	94
TLH4F6N48M4Y	6.0	480	4	52	94
TLH4F6N52M2Y	6.6	240	4	56	96
TLH4F6N52M4Y	6.6	480	4	56	96
TLH4F6N64M2Y	8.3	240	4	68	101
TLH4F6N64M4Y	8.3	480	4	68	101
TLH4F6N77M2Y	10.0	240	4	81	105
TLH4F6N77M4Y	10.0	480	4	81	105
TLH4F6N88M4Y	11.2	480	4	92	109
TLH4F6N106M4Y	12.6	480	4	110	115
TLH4F6N120M4Y	15.6	480	4	124	120
TLH4F6N140M4Y	17.5	480	4	144	127
TLH4F6N160M4Y	20.0	480	4	164	135
TLH5F6N18M2Y	2.0	240	5	22	98
TLH5F6N18M4Y	2.0	480	5	22	98
TLH5F9N18M2Y	3.0	240	5	22	101
TLH5F9N18M4Y	3.0	480	5	22	102
TLH5F6N20M2Y	2.5	240	5	24	99
TLH5F6N20M4Y	2.5	480	5	24	99
TLH5F9N20M2Y	3.8	240	5	24	103
TLH5F9N20M4Y	3.8	480	5	24	103
TLH5F6N25M2Y	3.0	240	5	29	101
TLH5F6N25M4Y	3.0	480	5	29	101
TLH5F9N25M2Y	4.5	240	5	29	106
TLH5F9N25M4Y	4.5	480	5	29	106
TLH5F6N33M2Y	4.0	240	5	37	104
TLH5F6N33M4Y	4.0	480	5	37	104
TLH5F9N33M2Y	6.0	240	5	37	110
TLH5F9N33M4Y	6.0	480	5	37	110
TLH5F6N40M2Y	5.0	240	5	44	106
TLH5F6N40M4Y	5.0	480	5	44	106
TLH5F9N40M2Y	7.5	240	5	44	114
TLH5F9N40M4Y	7.5	480	5	44	114
TLH5F6N48M2Y	6.0	240	5	52	109
TLH5F6N48M4Y	6.0	480	5	52	109
TLH5F9N48M2Y	9.0	240	5	52	118
TLH5F9N48M4Y	9.0	480	5	52	118
TLH5F6N52M2Y	6.6	240	5	56	111
TLH5F6N52M4Y	6.6	480	5	56	111
TLH5F9N52M2Y	10.0	240	5	56	120
TLH5F9N52M4Y	10.0	480	5	56	120
TLH5F6N64M2Y	8.3	240	5	68	116
TLH5F6N64M4Y	8.3	480	5	68	116
TLH5F9N64M2Y	12.5	240	5	68	128
TLH5F9N64M4Y	12.5	480	5	68	128
TLH5F6N77M2Y	10.0	240	5	81	120

Over-the-Side

Type TLH

WattDensity: 8

Catalog Number	kW	Voltage	Bundle Diameter (In.)	Horizontal Length (In.)	Weight (lbs.)
TLH5F6N77M4Y	10.0	480	5	81	120
TLH5F9N77M2Y	15.0	240	5	81	134
TLH5F9N77M4Y	15.0	480	5	81	134
TLH5F6N88M4Y	11.2	480	5	92	124
TLH5F9N88M4Y	16.8	480	5	92	140
TLH5F6N106M4Y	12.6	480	5	110	130
TLH5F9N106M4Y	18.9	480	5	110	150
TLH5F6N120M4Y	15.6	480	5	124	135
TLH5F9N120M4Y	23.4	480	5	124	157
TLH5F6N140M4Y	17.5	480	5	144	142
TLH5F9N140M4Y	26.0	480	5	144	168
TLH5F6N160M4Y	20.0	480	5	164	150
TLH5F9N160M4Y	30.0	480	5	164	178
TLH6F12N18M2Y	4.0	240	6	22	136
TLH6F12N18M4Y	4.0	480	6	22	137
TLH6F15N18M2Y	5.0	240	6	22	139
TLH6F15N18M4Y	5.0	480	6	22	140
TLH6F12N20M2Y	5.0	240	6	24	138
TLH6F12N20M4Y	5.0	480	6	24	138
TLH6F15N20M2Y	6.3	240	6	24	142
TLH6F15N20M4Y	6.3	480	6	24	142
TLH6F12N25M2Y	6.0	240	6	29	142
TLH6F12N25M4Y	6.0	480	6	29	142
TLH6F15N25M2Y	7.5	240	6	29	147
TLH6F15N25M4Y	7.5	480	6	29	147
TLH6F12N33M2Y	8.0	240	6	37	148
TLH6F12N33M4Y	8.0	480	6	37	148
TLH6F15N33M2Y	10.0	240	6	37	154
TLH6F15N33M4Y	10.0	480	6	37	154
TLH6F12N40M2Y	10.0	240	6	44	153
TLH6F12N40M4Y	10.0	480	6	44	153
TLH6F15N40M2Y	12.5	240	6	44	160
TLH6F15N40M4Y	12.5	480	6	44	160
TLH6F12N48M2Y	12.0	240	6	52	159
TLH6F12N48M4Y	12.0	480	6	52	159
TLH6F15N48M2Y	15.0	240	6	52	167
TLH6F15N48M4Y	15.0	480	6	52	167
TLH6F12N52M2Y	13.3	240	6	56	161
TLH6F12N52M4Y	13.3	480	6	56	161
TLH6F12N64M2Y	16.7	240	6	68	172
TLH6F12N64M4Y	16.7	480	6	68	172
TLH6F15N64M2Y	20.8	240	6	68	184
TLH6F15N64M4Y	20.8	480	6	68	184
TLH6F12N77M2Y	20.0	240	6	81	179
TLH6F12N77M4Y	20.0	480	6	81	179
TLH6F15N77M2Y	25.0	240	6	81	193
TLH6F15N77M4Y	25.0	480	6	81	193
TLH6F12N88M4Y	22.4	480	6	92	187
TLH6F15N88M4Y	28.0	480	6	92	203

Over-the-Side

Type TLH

WattDensity: 8

Catalog Number	kW	Voltage	Bundle Diameter (In.)	Horizontal Length (In.)	Weight (lbs.)
TLH6F12N106M4Y	25.2	480	6	110	201
TLH6F15N106M4Y	31.5	480	6	110	220
TLH6F12N120M4Y	31.2	480	6	124	210
TLH6F15N120M4Y	39.0	480	6	124	232
TLH6F12N140M4Y	35.0	480	6	144	225
TLH6F15N140M4Y	44.0	480	6	144	250
TLH6F12N160M4Y	40.0	480	6	164	239
TLH6F15N160M4Y	50.5	480	6	164	268
TLH8F18N52M4Y	20.0	480	8	57	267
TLH8F24N52M4Y	26.6	480	8	57	286
TLH8F18N64M4Y	25.5	480	8	69	283
TLH8F24N64M4Y	34.0	480	8	69	307
TLH8F18N77M4Y	30.0	480	8	82	294
TLH8F24N77M4Y	40.0	480	8	82	322
TLH8F18N88M4Y	33.6	480	8	93	306
TLH8F24N88M4Y	44.8	480	8	93	338
TLH8F18N106M4Y	37.8	480	8	111	326
TLH8F24N106M4Y	50.0	480	8	111	365
TLH8F18N120M4Y	46.8	480	8	125	341
TLH8F24N120M4Y	61.9	480	8	125	384
TLH8F18N140M4Y	52.4	480	8	145	362
TLH8F24N140M4Y	69.8	480	8	145	413
TLH8F18N160M4Y	60.5	480	8	165	384
TLH8F24N160M4Y	80.5	480	8	165	441

WattDensity: 6

Catalog Number	kW	Voltage	Bundle Diameter (In.)	Horizontal Length (In.)	Weight (lbs.)
TLH4F6N18M2S	1.5	240	4	22	83
TLH4F6N18M4S	1.5	480	4	22	83
TLH4F6N20M2S	1.9	240	4	24	84
TLH4F6N20M4S	1.9	480	4	24	84
TLH4F6N25M2S	2.2	240	4	29	86
TLH4F6N25M4S	2.2	480	4	29	86
TLH4F6N33M2S	3.0	240	4	37	89
TLH4F6N33M4S	3.0	480	4	37	89
TLH4F6N40M2S	3.7	240	4	44	91
TLH4F6N40M4S	3.7	480	4	44	91
TLH4F6N48M2S	4.5	240	4	52	94
TLH4F6N48M4S	4.5	480	4	52	94
TLH4F6N52M2S	5.0	240	4	56	96
TLH4F6N52M4S	5.0	480	4	56	96
TLH4F6N64M2S	6.2	240	4	68	101
TLH4F6N64M4S	6.2	480	4	68	101
TLH4F6N77M2S	7.5	240	4	81	105
TLH4F6N77M4S	7.5	480	4	81	105
TLH4F6N88M4S	8.4	480	4	92	109
TLH4F6N106M4S	9.4	480	4	110	115
TLH4F6N120M4S	11.6	480	4	124	120

Over-the-Side

Type TLH

WattDensity: 6

Catalog Number	kW	Voltage	Bundle Diameter (In.)	Horizontal Length (In.)	Weight (lbs.)
TLH4F6N140M4D	13.1	240	4	144	127
TLH4F6N140M4S	13.1	480	4	144	127
TLH4F6N160M4D	15.0	240	4	164	135
TLH4F6N160M4S	15.0	480	4	164	135
TLH5F6N18M2S	1.5	240	5	22	98
TLH5F6N18M4S	1.5	480	5	22	98
TLH5F6N20M2S	1.9	240	5	24	99
TLH5F6N20M4S	1.9	480	5	24	99
TLH5F6N25M2S	2.2	240	5	29	101
TLH5F6N25M4S	2.2	480	5	29	101
TLH5F6N33M2S	3.0	240	5	37	104
TLH5F6N33M4S	3.0	480	5	37	104
TLH5F6N40M2S	3.7	240	5	44	106
TLH5F6N40M4S	3.7	480	5	44	106
TLH5F6N48M2S	4.5	240	5	52	109
TLH5F6N48M4S	4.5	480	5	52	109
TLH5F6N52M2S	5.0	240	5	56	111
TLH5F6N52M4S	5.0	480	5	56	111
TLH5F6N64M2S	6.2	240	5	68	116
TLH5F6N64M4S	6.2	480	5	68	116
TLH5F6N77M2S	7.5	240	5	81	120
TLH5F6N77M4S	7.5	480	5	81	120
TLH5F6N88M4S	8.4	480	5	92	124
TLH5F6N106M4S	9.4	480	5	110	130
TLH5F6N120M4S	11.6	480	5	124	135
TLH5F6N140M4D	13.1	240	5	144	142
TLH5F6N140M4S	13.1	480	5	144	142
TLH5F6N160M4D	15.0	240	5	164	150
TLH5F6N160M4S	15.0	480	5	164	150
TLH6F12N18M2S	3.0	240	6	22	136
TLH6F12N18M4S	3.0	480	6	22	137
TLH6F12N20M2S	3.7	240	6	24	138
TLH6F12N20M4S	3.7	480	6	24	138
TLH6F12N25M2S	4.5	240	6	29	142
TLH6F12N25M4S	4.5	480	6	29	142
TLH6F12N33M2S	6.0	240	6	37	148
TLH6F12N33M4S	6.0	480	6	37	148
TLH6F12N40M2S	7.5	240	6	44	153
TLH6F12N40M4S	7.5	480	6	44	153
TLH6F12N48M2S	9.0	240	6	52	159
TLH6F12N48M4S	9.0	480	6	52	159
TLH6F12N52M2S	10.0	240	6	56	161
TLH6F12N52M4S	10.0	480	6	56	161
TLH6F12N64M2S	12.5	240	6	68	172
TLH6F12N64M4S	12.5	480	6	68	172
TLH6F12N77M2S	15.0	240	6	81	179
TLH6F12N77M4S	15.0	480	6	81	179
TLH6F12N88M4S	16.8	480	6	92	187
TLH6F12N106M4S	18.9	480	6	110	201

Over-the-Side

Type TLH

WattDensity: 6

Catalog Number	kW	Voltage	Bundle Diameter (In.)	Horizontal Length (In.)	Weight (lbs.)
TLH6F12N120M4S	23.4	480	6	124	210
TLH6F12N140M4D	26.0	240	6	144	225
TLH6F12N140M4S	26.0	480	6	144	225
TLH6F12N160M4D	30.0	240	6	164	239
TLH6F12N160M4S	30.0	480	6	164	239
TLH8F18N33M2S	9.0	240	8	38	247
TLH8F18N33M4S	9.0	480	8	38	247
TLH8F24N33M2S	12.0	240	8	38	259
TLH8F24N33M4S	12.0	480	8	38	259
TLH8F18N40M2S	11.2	240	8	45	254
TLH8F18N40M4S	11.2	480	8	45	254
TLH8F24N40M2S	15.0	240	8	45	269
TLH8F24N40M4S	15.0	480	8	45	269
TLH8F18N48M2S	13.5	240	8	53	263
TLH8F18N48M4S	13.5	480	8	53	263
TLH8F24N48M2S	18.0	240	8	53	280
TLH8F24N48M4S	18.0	480	8	53	280
TLH8F18N52M2S	15.0	240	8	57	267
TLH8F18N52M4S	15.0	480	8	57	267
TLH8F24N52M2S	20.0	240	8	57	286
TLH8F24N52M4S	20.0	480	8	57	286
TLH8F18N64M2S	19.1	240	8	69	283
TLH8F18N64M4S	19.1	480	8	69	283
TLH8F24N64M2S	25.5	240	8	69	307
TLH8F24N64M4S	25.5	480	8	69	307
TLH8F18N77M2S	22.5	240	8	82	294
TLH8F18N77M4S	22.5	480	8	82	294
TLH8F24N77M2S	30.0	240	8	82	322
TLH8F24N77M4S	30.0	480	8	82	322
TLH8F18N88M4S	25.2	480	8	93	306
TLH8F24N88M4S	33.6	480	8	93	338
TLH8F18N106M4S	28.3	480	8	111	326
TLH8F24N106M4S	37.8	480	8	111	365
TLH8F18N120M4S	35.0	480	8	125	341
TLH8F24N120M4S	46.8	480	8	125	384
TLH8F18N140M4D	39.3	240	8	145	362
TLH8F18N140M4S	39.3	480	8	145	362
TLH8F24N140M4D	52.5	240	8	145	413
TLH8F24N140M4S	52.5	480	8	145	413
TLH8F18N160M4S	45.0	480	8	165	384
TLH8F18N160M4D	45.5	240	8	165	384
TLH8F24N160M4D	60.5	240	8	165	441
TLH8F24N160M4S	60.5	480	8	165	441

Over-the-Side - Type TLV

APPLICATIONS

60 and 45 Watts Per Square Inch

For industrial water heating and many other aqueous solutions which are generally "clear" and also compatible with both steel and Incoloy.

23 and 20 Watts Per Square Inch

For circulated heat transfer fluids, vegetable oils, cleaning solutions, degreasing fluids, many soap solutions which are generally "opaque" and also compatible with both steel and Incoloy..

15 and 12 Watts Per Square Inch

For lubricating oils, residual oils, heat transfer fluids, cleaning solutions, degreasing fluids, and many soap solutions.

8 and 6 Watts Per Square Inch

For raw crude oil, #5 and #6 fuel oil, viscous residual oils, viscous lubricating oils, and many other "hard to heat" fluids.



STANDARD FEATURES

Heating Elements

- Incoloy 800 Sheath Material
- Heavy Wall (.035 in.)
- Large diameter (.475 in.)
- Sealed Terminals

Spacers

- High Temp Alloy Material
- Rugged Design
- "Evenflow" Configuration

Construction

- Welded Heating Elements
- Welded Terminal Housing
- Welded Spacers

Riser

- Schedule 40 Pipe (Length as Required)
- Welded Terminal Housing
- Sealed and Welded Junction Box

Installation

- Flying Leadwires Provided
- Only Standard Materials Needed in Field

Service

- May Be Removed For Cleaning
- Assembly Repairable at Factory
- Wiring Is Made Modifiable in Field

SPECIAL FEATURES

- A() Riser Height (A Dimension) in Inches
- ER Explosion Resistant Terminal Enclosure
- LT Moisture Resistant Terminal Enclosure
- J(K) Sheath Sensing Thermocouple attached to one element for overheat protection.
- JTC Process Sensing Thermocouple (Type J) with Inconel Sheath
- S Stainless Steel ANSI Flange - Type 304
- SS Stainless Steel ANSI Flange - Type 316
- F Steel ANSI Flange - 150 #
- SC Stainless Steel Construction - Type 304
- SS Stainless Steel Construction - Type 316
- SpHtr Space Heater Mounted in Terminal Enclosure
- OSTHsg Offset (90°) Terminal Housing
- X Special Feature not Listed Above

Over-the-Side Type TLV

WattDensity: 60

Catalog Number	kW	Voltage	Bundle Diam.(In.)	Heater Length (In.)	Std. Riser Length (In.)	Overall Length (In.)	Weight (lbs.)
TLV3F3N18B2	8.0	240	3	21	36	57	45
TLV3F3N18B4	8.0	480	3	21	36	57	45
TLV3F3N20B2	10.0	240	3	23	36	59	46
TLV3F3N20B4	10.0	480	3	23	36	59	46
TLV3F3N25B2	12.0	240	3	28	36	64	47
TLV3F3N25B4	12.0	480	3	28	36	64	47
TLV3F3N33B2	15.0	240	3	36	36	72	48
TLV3F3N33B4	15.0	480	3	36	36	72	48
TLV3F3N43B2	20.0	240	3	46	36	82	48
TLV3F3N43B4	20.0	480	3	46	36	82	50
TLV3F3N52B2	25.0	240	3	55	36	91	50
TLV3F3N52B4	25.0	480	3	55	36	91	51
TLV3F3N61B2	30.0	240	3	64	36	100	53
TLV3F3N61B4	30.0	480	3	64	36	100	53
TLV3F3N88B4	44.4	480	3	91	36	127	58
TLV3F3N106B4	50.1	480	3	109	36	145	61
TLV3F3N120B4	57.0	480	3	123	36	159	64
TLV4F6N18B2	16.0	240	4	22	48	70	83
TLV4F6N18B4	16.0	480	4	22	48	70	83
TLV4F6N20B2	20.0	240	4	24	48	72	84
TLV4F6N20B4	20.0	480	4	24	48	72	0
TLV4F6N25B2	24.0	240	4	29	48	77	86
TLV4F6N25B4	24.0	480	4	29	48	77	86
TLV4F6N33B2	30.0	240	4	37	48	85	89
TLV4F6N33B4	30.0	480	4	37	48	85	89
TLV4F6N43B2	40.0	240	4	47	48	95	89
TLV4F6N43B4	40.0	480	4	47	48	95	92
TLV4F6N52B2	50.0	240	4	56	48	104	94
TLV4F6N52B4	50.0	480	4	56	48	104	96
TLV4F6N61B2	60.0	240	4	65	48	113	99
TLV4F6N61B4	60.0	480	4	65	48	113	99
TLV4F6N88B4	88.8	480	4	92	48	140	109
TLV4F6N106B4	100.2	480	4	110	48	158	115
TLV4F6N120B4	114.0	480	4	124	48	172	120
TLV5F6N18B2	16.0	240	5	22	48	70	98
TLV5F6N18B4	16.0	480	5	22	48	70	98
TLV5F6N20B2	20.0	240	5	24	48	72	99
TLV5F6N20B4	20.0	480	5	24	48	72	99
TLV5F6N25B2	24.0	240	5	29	48	77	101
TLV5F6N25B4	24.0	480	5	29	48	77	101
TLV5F6N33B2	30.0	240	5	37	48	85	104
TLV5F6N33B4	30.0	480	5	37	48	85	104
TLV5F6N43B2	40.0	240	5	47	48	95	104
TLV5F6N43B4	40.0	480	5	47	48	95	107
TLV5F6N52B2	50.0	240	5	56	48	104	109
TLV5F6N52B4	50.0	480	5	56	48	104	111
TLV5F6N61B2	60.0	240	5	65	48	113	114
TLV5F6N61B4	60.0	480	5	65	48	113	114
TLV5F6N88B4	88.8	480	5	92	48	140	124

Over-the-Side Type TLV

WattDensity: 60

Catalog Number	kW	Voltage	Bundle Diam.(In.)	Heater Length (In.)	Std. Riser Length (In.)	Overall Length (In.)	Weight (lbs.)
TLV5F6N106B4	100.2	240	5	110	48	158	130
TLV5F6N120B4	114.0	480	5	124	48	172	135
TLV5F9N18B2	24.0	240	5	22	48	70	102
TLV5F9N18B4	24.0	480	5	22	48	70	102
TLV5F9N20B2	30.0	240	5	24	48	72	103
TLV5F9N20B4	30.0	480	5	24	48	72	103
TLV5F9N25B2	36.0	240	5	29	48	77	106
TLV5F9N25B4	36.0	480	5	29	48	77	106
TLV5F9N33B2	45.0	240	5	37	48	85	109
TLV5F9N33B4	45.0	480	5	37	48	85	110
TLV5F9N43B2	60.0	240	5	47	48	95	110
TLV5F9N43B4	60.0	480	5	47	48	95	115
TLV5F9N52B2	75.0	240	5	56	48	104	117
TLV5F9N52B4	75.0	480	5	56	48	104	120
TLV5F9N61B2	90.0	240	5	65	48	113	125
TLV5F9N61B4	90.0	480	5	65	48	113	125
TLV6F12N18B2	32.0	240	6	22	60	82	137
TLV6F12N18B4	32.0	480	6	22	60	82	137
TLV6F12N20B2	40.0	240	6	24	60	84	138
TLV6F12N20B4	40.0	480	6	24	60	84	138
TLV6F12N25B2	48.0	240	6	29	60	89	142
TLV6F12N25B4	48.0	480	6	29	60	89	142
TLV6F12N33B2	60.0	240	6	37	60	97	147
TLV6F12N33B4	60.0	480	6	37	60	97	148
TLV6F12N43B2	80.0	240	6	47	60	107	148
TLV6F12N43B4	80.0	480	6	47	60	107	155
TLV6F12N52B2	100.0	240	6	56	60	116	158
TLV6F12N52B4	100.0	480	6	56	60	116	161
TLV6F12N61B2	120.0	240	6	65	60	125	168
TLV6F12N61B4	120.0	480	6	65	60	125	168
TLV6F15N18B2	40.0	240	6	22	60	82	140
TLV6F15N18B4	40.0	480	6	22	60	82	140
TLV6F15N20B2	50.0	240	6	24	60	84	142
TLV6F15N20B4	50.0	480	6	24	60	84	142
TLV6F15N25B2	60.0	240	6	29	60	89	147
TLV6F15N25B4	60.0	480	6	29	60	89	147
TLV6F15N33B2	75.0	240	6	37	60	97	153
TLV6F15N33B4	75.0	480	6	37	60	97	154
TLV6F15N43B2	100.0	240	6	47	60	107	154
TLV6F15N43B4	100.0	480	6	47	60	107	163
TLV8F18N18B2	48.0	240	8	23	72	95	230
TLV8F18N18B4	48.0	480	8	23	72	95	230
TLV8F18N20B2	60.0	240	8	25	72	97	233
TLV8F18N20B4	60.0	480	8	25	72	97	233
TLV8F18N25B2	72.0	240	8	30	72	102	238
TLV8F18N25B4	72.0	480	8	30	72	102	238
TLV8F18N33B2	90.0	240	8	38	72	110	246
TLV8F18N33B4	90.0	480	8	38	72	110	247
TLV8F18N43B2	120.0	240	8	48	72	120	247

Over-the-Side Type TLV

WattDensity: 60

Catalog Number	kW	Voltage	Bundle Diam.(In.)	Heater Length (In.)	Std. Riser Length (In.)	Overall Length (In.)	Weight (lbs.)
TLV8F18N43B4	120.0	480	8	48	72	120	257
TLV8F24N18B2	64.0	240	8	23	72	95	237
TLV8F24N18B4	64.0	480	8	23	72	95	237
TLV8F24N20B2	80.0	240	8	25	72	97	240
TLV8F24N20B4	80.0	480	8	25	72	97	240
TLV8F24N25B2	96.0	240	8	30	72	102	247
TLV8F24N25B4	96.0	480	8	30	72	102	247
TLV8F24N33B2	120.0	240	8	38	72	110	257
TLV8F24N33B4	120.0	480	8	38	72	110	259

WattDensity: 45

Catalog Number	kW	Voltage	Bundle Diam.(In.)	Heater Length (In.)	Std. Riser Length (In.)	Overall Length (In.)	Weight (lbs.)
TLV3F3N13H2	4.5	240	3	16	36	52	44
TLV3F3N13H4	4.5	480	3	16	36	52	44
TLV3F3N18H2	6.0	240	3	21	36	57	45
TLV3F3N18H4	6.0	480	3	21	36	57	45
TLV3F3N20H2	7.5	240	3	23	36	59	46
TLV3F3N20H4	7.5	480	3	23	36	59	46
TLV3F3N25H2	9.0	240	3	28	36	64	47
TLV3F3N25H4	9.0	480	3	28	36	64	47
TLV3F3N33H2	12.0	240	3	36	36	72	48
TLV3F3N33H4	12.0	480	3	36	36	72	48
TLV3F3N40H2	15.0	240	3	43	36	79	54
TLV3F3N40H4	15.0	480	3	43	36	79	49
TLV3F3N48H2	18.0	240	3	51	36	87	51
TLV3F3N48H4	18.0	480	3	51	36	87	50
TLV3F3N61H2	25.0	240	3	64	36	100	53
TLV3F3N61H4	25.0	480	3	64	36	100	53
TLV3F3N78H2	33.3	240	3	81	36	117	56
TLV3F3N78H4	33.3	480	3	81	36	117	56
TLV3F3N88H4	37.5	480	3	91	36	127	58
TLV3F3N106H4	41.7	480	3	109	36	145	61
TLV3F3N120H4	45.0	480	3	123	36	159	64
TLV3F3N140H4	52.5	480	3	143	36	179	67
TLV3F3N160H4	60.0	480	3	163	36	199	71
TLV3F3N180H4	67.5	480	3	183	36	219	74
TLV4F6N13H2	9.0	240	4	17	48	65	82
TLV4F6N13H4	9.0	480	4	17	48	65	82
TLV4F6N18H2	12.0	240	4	22	48	70	83
TLV4F6N18H4	12.0	480	4	22	48	70	83
TLV4F6N20H2	15.0	240	4	24	48	72	84
TLV4F6N20H4	15.0	480	4	24	48	72	84
TLV4F6N25H2	18.0	240	4	29	48	77	86
TLV4F6N25H4	18.0	480	4	29	48	77	86
TLV4F6N33H2	24.0	240	4	37	48	85	89
TLV4F6N33H4	24.0	480	4	37	48	85	89
TLV4F6N40H2	30.0	240	4	44	48	92	101
TLV4F6N40H4	30.0	480	4	44	48	92	91

Over-the-Side Type TLV

WattDensity: 45

Catalog Number	kW	Voltage	Bundle Diam.(In.)	Heater Length (In.)	Std. Riser Length (In.)	Overall Length (In.)	Weight (lbs.)
TLV4F6N48H2	36.0	240	4	52	48	100	94
TLV4F6N48H4	36.0	480	4	52	48	100	94
TLV4F6N61H2	50.0	240	4	65	48	113	99
TLV4F6N61H4	50.0	480	4	65	48	113	99
TLV4F6N78H2	66.7	240	4	82	48	130	105
TLV4F6N78H4	66.7	480	4	82	48	130	105
TLV4F6N88H4	75.0	480	4	92	48	140	109
TLV4F6N106H4	83.4	480	4	110	48	158	115
TLV4F6N120H4	90.0	480	4	124	48	172	120
TLV4F6N140H4	105.0	480	4	144	48	192	127
TLV5F6N13H2	9.0	240	5	17	48	65	97
TLV5F6N13H4	9.0	480	5	17	48	65	97
TLV5F6N18H2	12.0	240	5	22	48	70	98
TLV5F6N18H4	12.0	480	5	22	48	70	98
TLV5F6N20H2	15.0	240	5	24	48	72	99
TLV5F6N20H4	15.0	480	5	24	48	72	99
TLV5F6N25H2	18.0	240	5	29	48	77	101
TLV5F6N25H4	18.0	480	5	29	48	77	101
TLV5F6N33H2	24.0	240	5	37	48	85	104
TLV5F6N33H4	24.0	480	5	37	48	85	104
TLV5F6N40H2	30.0	240	5	44	48	92	116
TLV5F6N40H4	30.0	480	5	44	48	92	106
TLV5F6N48H2	36.0	240	5	52	48	100	109
TLV5F6N48H4	36.0	480	5	52	48	100	109
TLV5F6N61H2	50.0	240	5	65	48	113	114
TLV5F6N61H4	50.0	480	5	65	48	113	114
TLV5F6N78H2	66.7	240	5	82	48	130	120
TLV5F6N78H4	66.7	480	5	82	48	130	120
TLV5F6N88H4	75.0	480	5	92	48	140	124
TLV5F6N106H4	83.4	480	5	110	48	158	130
TLV5F6N120H4	90.0	480	5	124	48	172	135
TLV5F6N140H4	105.0	480	5	144	48	192	142
TLV5F9N13H2	13.5	240	5	17	48	65	99
TLV5F9N13H4	13.5	480	5	17	48	65	99
TLV5F9N18H2	18.0	240	5	22	48	70	102
TLV5F9N18H4	18.0	480	5	22	48	70	102
TLV5F9N20H2	22.5	240	5	24	48	72	103
TLV5F9N20H4	22.5	480	5	24	48	72	103
TLV5F9N25H2	27.0	240	5	29	48	77	106
TLV5F9N25H4	27.0	480	5	29	48	77	106
TLV5F9N33H2	36.0	240	5	37	48	85	109
TLV5F9N33H4	36.0	480	5	37	48	85	110
TLV5F9N40H2	45.0	240	5	44	48	92	128
TLV5F9N40H4	45.0	480	5	44	48	92	114
TLV5F9N48H2	54.0	240	5	52	48	100	118
TLV5F9N48H4	54.0	480	5	52	48	100	117
TLV5F9N61H2	75.0	240	5	65	48	113	125
TLV5F9N61H4	75.0	480	5	65	48	113	125
TLV5F9N78H2	100.0	240	5	82	48	130	134

Over-the-Side Type TLV

WattDensity: 45

Catalog Number	kW	Voltage	Bundle Diam.(In.)	Heater Length (In.)	Std. Riser Length (In.)	Overall Length (In.)	Weight (lbs.)
TLV5F9N78H4	100.0	480	5	82	48	130	134
TLV5F9N88H4	112.5	480	5	92	48	140	140
TLV6F12N13H2	18.0	240	6	17	60	77	133
TLV6F12N13H4	18.0	480	6	17	60	77	133
TLV6F12N18H2	24.0	240	6	22	60	82	137
TLV6F12N18H4	24.0	480	6	22	60	82	137
TLV6F12N20H2	30.0	240	6	24	60	84	138
TLV6F12N20H4	30.0	480	6	24	60	84	138
TLV6F12N25H2	36.0	240	6	29	60	89	142
TLV6F12N25H4	36.0	480	6	29	60	89	142
TLV6F12N33H2	48.0	240	6	37	60	97	147
TLV6F12N33H4	48.0	480	6	37	60	97	148
TLV6F12N40H2	60.0	240	6	44	60	104	172
TLV6F12N40H4	60.0	480	6	44	60	104	153
TLV6F12N48H2	72.0	240	6	52	60	112	159
TLV6F12N48H4	72.0	480	6	52	60	112	158
TLV6F12N61H2	100.0	240	6	65	60	125	168
TLV6F12N61H4	100.0	480	6	65	60	125	168
TLV6F15N13H2	22.5	240	6	17	60	77	136
TLV6F15N13H4	22.5	480	6	17	60	77	136
TLV6F15N18H2	30.0	240	6	22	60	82	140
TLV6F15N18H4	30.0	480	6	22	60	82	140
TLV6F15N20H2	37.5	240	6	24	60	84	142
TLV6F15N20H4	37.5	480	6	24	60	84	142
TLV6F15N25H2	45.0	240	6	29	60	89	147
TLV6F15N25H4	45.0	480	6	29	60	89	147
TLV6F15N33H2	60.0	240	6	37	60	97	153
TLV6F15N33H4	60.0	480	6	37	60	97	154
TLV6F15N40H2	75.0	240	6	44	60	104	184
TLV6F15N40H4	75.0	480	6	44	60	104	160
TLV6F15N48H2	90.0	240	6	52	60	112	167
TLV6F15N48H4	90.0	480	6	52	60	112	166
TLV8F18N13H2	27.0	240	8	18	72	90	225
TLV8F18N13H4	27.0	480	8	18	72	90	225
TLV8F18N18H2	36.0	240	8	23	72	95	230
TLV8F18N18H4	36.0	480	8	23	72	95	230
TLV8F18N20H2	45.0	240	8	25	72	97	233
TLV8F18N20H4	45.0	480	8	25	72	97	233
TLV8F18N25H2	54.0	240	8	30	72	102	238
TLV8F18N25H4	54.0	480	8	30	72	102	238
TLV8F18N33H2	72.0	240	8	38	72	110	246
TLV8F18N33H4	72.0	480	8	38	72	110	247
TLV8F18N40H2	90.0	240	8	45	72	117	283
TLV8F18N40H4	90.0	480	8	45	72	117	254
TLV8F18N48H2	108.0	240	8	53	72	125	263
TLV8F18N48H4	108.0	480	8	53	72	125	262
TLV8F24N13H2	36.0	240	8	18	72	90	230
TLV8F24N13H4	36.0	480	8	18	72	90	230
TLV8F24N18H2	48.0	240	8	23	72	95	237

Over-the-Side Type TLV

WattDensity: 45

Catalog Number	kW	Voltage	Bundle Diam.(In.)	Heater Length (In.)	Std. Riser Length (In.)	Overall Length (In.)	Weight (lbs.)
TLV8F24N18H4	48.0	480	8	23	72	95	237
TLV8F24N20H2	60.0	240	8	25	72	97	240
TLV8F24N20H4	60.0	480	8	25	72	97	240
TLV8F24N25H2	72.0	240	8	30	72	102	247
TLV8F24N25H4	72.0	480	8	30	72	102	247
TLV8F24N33H2	96.0	240	8	38	72	110	257
TLV8F24N33H4	96.0	480	8	38	72	110	259
TLV8F24N40H2	120.0	240	8	45	72	117	307
TLV8F24N40H4	120.0	480	8	45	72	117	269

WattDensity: 23

Catalog Number	kW	Voltage	Bundle Diam.(In.)	Heater Length (In.)	Std. Riser Length (In.)	Overall Length (In.)	Weight (lbs.)
TLV3F3N18M2	3.0	240	3	21	36	57	45
TLV3F3N18M4	3.0	480	3	21	36	57	45
TLV3F3N20M2	3.8	240	3	23	36	59	46
TLV3F3N20M4	3.8	480	3	23	36	59	46
TLV3F3N25M2	4.5	240	3	28	36	64	47
TLV3F3N25M4	4.5	480	3	28	36	64	47
TLV3F3N33M2	6.0	240	3	36	36	72	48
TLV3F3N33M4	6.0	480	3	36	36	72	48
TLV3F3N40M2	7.5	240	3	43	36	79	49
TLV3F3N40M4	7.5	480	3	43	36	79	49
TLV3F3N48M2	9.0	240	3	51	36	87	51
TLV3F3N48M4	9.0	480	3	51	36	87	51
TLV3F3N52M2	10.0	240	3	55	36	91	51
TLV3F3N52M4	10.0	480	3	55	36	91	51
TLV3F3N64M2	12.5	240	3	67	36	103	54
TLV3F3N64M4	12.5	480	3	67	36	103	54
TLV3F3N77M2	15.0	240	3	80	36	116	56
TLV3F3N77M4	15.0	480	3	80	36	116	56
TLV3F3N88M4	16.8	480	3	91	36	127	58
TLV3F3N106M4	18.9	480	3	109	36	145	61
TLV3F3N120M4	23.4	480	3	123	36	159	64
TLV3F3N140M4	26.3	480	3	143	36	179	67
TLV3F3N160M4	30.0	480	3	163	36	199	71
TLV4F6N18M2	6.0	240	4	22	48	70	83
TLV4F6N18M4	6.0	480	4	22	48	70	83
TLV4F6N20M2	7.5	240	4	24	48	72	84
TLV4F6N20M4	7.5	480	4	24	48	72	84
TLV4F6N25M2	9.0	240	4	29	48	77	86
TLV4F6N25M4	9.0	480	4	29	48	77	86
TLV4F6N33M2	12.0	240	4	37	48	85	89
TLV4F6N33M4	12.0	480	4	37	48	85	89
TLV4F6N40M2	15.0	240	4	44	48	92	91
TLV4F6N40M4	15.0	480	4	44	48	92	91
TLV4F6N48M2	18.0	240	4	52	48	100	94
TLV4F6N48M4	18.0	480	4	52	48	100	94
TLV4F6N52M2	20.0	240	4	56	48	104	96

Over-the-Side Type TLV

WattDensity: 23

Catalog Number	kW	Voltage	Bundle Diam.(In.)	Heater Length (In.)	Std. Riser Length (In.)	Overall Length (In.)	Weight (lbs.)
TLV4F6N52M4	20.0	480	4	56	48	104	96
TLV4F6N64M2	25.0	240	4	68	48	116	101
TLV4F6N64M4	25.0	480	4	68	48	116	101
TLV4F6N77M2	30.0	240	4	81	48	129	105
TLV4F6N77M4	30.0	480	4	81	48	129	105
TLV4F6N88M4	33.6	480	4	92	48	140	109
TLV4F6N106M4	37.8	480	4	110	48	158	115
TLV4F6N120M4	46.8	480	4	124	48	172	120
TLV4F6N140M4	52.5	480	4	144	48	192	127
TLV4F6N160M4	60.5	480	4	164	48	212	135
TLV5F6N18M2	6.0	240	5	22	48	70	98
TLV5F6N18M4	6.0	480	5	22	48	70	98
TLV5F6N20M2	7.5	240	5	24	48	72	99
TLV5F6N20M4	7.5	480	5	24	48	72	99
TLV5F6N25M2	9.0	240	5	29	48	77	101
TLV5F6N25M4	9.0	480	5	29	48	77	101
TLV5F6N33M2	12.0	240	5	37	48	85	104
TLV5F6N33M4	12.0	480	5	37	48	85	104
TLV5F6N40M2	15.0	240	5	44	48	92	106
TLV5F6N40M4	15.0	480	5	44	48	92	106
TLV5F6N48M2	18.0	240	5	52	48	100	109
TLV5F6N48M4	18.0	480	5	52	48	100	109
TLV5F6N52M2	20.0	240	5	56	48	104	111
TLV5F6N52M4	20.0	480	5	56	48	104	111
TLV5F6N64M2	25.0	240	5	68	48	116	116
TLV5F6N64M4	25.0	480	5	68	48	116	116
TLV5F6N77M2	30.0	240	5	81	48	129	120
TLV5F6N77M4	30.0	480	5	81	48	129	120
TLV5F6N88M4	33.6	480	5	92	48	140	124
TLV5F6N106M4	37.8	480	5	110	48	158	130
TLV5F6N120M4	46.8	480	5	124	48	172	135
TLV5F6N140M4	52.5	480	5	144	48	192	142
TLV5F6N160M4	60.5	480	5	164	48	212	150
TLV5F9N18M2	9.0	240	5	22	48	70	101
TLV5F9N18M4	9.0	480	5	22	48	70	102
TLV5F9N20M2	11.3	240	5	24	48	72	103
TLV5F9N20M4	11.3	480	5	24	48	72	103
TLV5F9N25M2	13.5	240	5	29	48	77	106
TLV5F9N25M4	13.5	480	5	29	48	77	106
TLV5F9N33M2	18.0	240	5	37	48	85	110
TLV5F9N33M4	18.0	480	5	37	48	85	110
TLV5F9N40M2	22.5	240	5	44	48	92	114
TLV5F9N40M4	22.5	480	5	44	48	92	114
TLV5F9N48M2	27.0	240	5	52	48	100	118
TLV5F9N48M4	27.0	480	5	52	48	100	118
TLV5F9N52M2	30.0	240	5	56	48	104	120
TLV5F9N52M4	30.0	480	5	56	48	104	120
TLV5F9N64M2	37.5	240	5	68	48	116	128
TLV5F9N64M4	37.5	480	5	68	48	116	128

Over-the-Side Type TLV

WattDensity: 23

Catalog Number	kW	Voltage	Bundle Diam.(In.)	Heater Length (In.)	Std. Riser Length (In.)	Overall Length (In.)	Weight (lbs.)
TLV5F9N77M2	45.0	240	5	81	48	129	134
TLV5F9N77M4	45.0	480	5	81	48	129	134
TLV5F9N88M4	50.4	480	5	92	48	140	140
TLV5F9N106M4	56.7	480	5	110	48	158	150
TLV5F9N120M4	70.2	480	5	124	48	172	157
TLV5F9N140M4	79.0	480	5	144	48	192	168
TLV5F9N160M4	90.5	480	5	164	48	212	178
TLV6F12N18M2	12.0	240	6	22	60	82	136
TLV6F12N18M4	12.0	480	6	22	60	82	137
TLV6F12N20M2	15.0	240	6	24	60	84	138
TLV6F12N20M4	15.0	480	6	24	60	84	138
TLV6F12N25M2	18.0	240	6	29	60	89	142
TLV6F12N25M4	18.0	480	6	29	60	89	142
TLV6F12N33M2	24.0	240	6	37	60	97	148
TLV6F12N33M4	24.0	480	6	37	60	97	148
TLV6F12N40M2	30.0	240	6	44	60	104	153
TLV6F12N40M4	30.0	480	6	44	60	104	153
TLV6F12N48M2	36.0	240	6	52	60	112	159
TLV6F12N48M4	36.0	480	6	52	60	112	159
TLV6F12N52M2	40.0	240	6	56	60	116	161
TLV6F12N52M4	40.0	480	6	56	60	116	161
TLV6F12N64M2	50.0	240	6	68	60	128	172
TLV6F12N64M4	50.0	480	6	68	60	128	172
TLV6F12N77M2	60.0	240	6	81	60	141	179
TLV6F12N77M4	60.0	480	6	81	60	141	179
TLV6F12N88M4	67.2	480	6	92	60	152	187
TLV6F12N106M4	75.6	480	6	110	60	170	201
TLV6F12N120M4	93.6	480	6	124	60	184	210
TLV6F12N140M4	105.0	480	6	144	60	204	225
TLV6F12N160M4	120.5	480	6	164	60	224	239
TLV6F15N18M2	15.0	240	6	22	60	82	139
TLV6F15N18M4	15.0	480	6	22	60	82	140
TLV6F15N20M2	18.8	240	6	24	60	84	142
TLV6F15N20M4	18.8	480	6	24	60	84	142
TLV6F15N25M2	22.5	240	6	29	60	89	147
TLV6F15N25M4	22.5	480	6	29	60	89	147
TLV6F15N33M2	30.0	240	6	37	60	97	154
TLV6F15N33M4	30.0	480	6	37	60	97	154
TLV6F15N40M2	37.5	240	6	44	60	104	160
TLV6F15N40M4	37.5	480	6	44	60	104	160
TLV6F15N48M2	45.0	240	6	52	60	112	167
TLV6F15N48M4	45.0	480	6	52	60	112	167
TLV6F15N52M2	50.0	240	6	56	60	116	171
TLV6F15N52M4	50.0	480	6	56	60	116	171
TLV6F15N64M2	62.5	240	6	68	60	128	184
TLV6F15N64M4	62.5	480	6	68	60	128	184
TLV6F15N77M2	75.0	240	6	81	60	141	193
TLV6F15N77M4	75.0	480	6	81	60	141	193
TLV6F15N88M4	84.0	480	6	92	60	152	203

Over-the-Side Type TLV

WattDensity: 23

Catalog Number	kW	Voltage	Bundle Diam.(In.)	Heater Length (In.)	Std. Riser Length (In.)	Overall Length (In.)	Weight (lbs.)
TLV6F15N106M4	94.5	480	6	110	60	170	220
TLV6F15N120M4	117.0	480	6	124	60	184	232
TLV8F18N18M2	18.0	240	8	23	72	95	229
TLV8F18N18M4	18.0	480	8	23	72	95	230
TLV8F18N20M2	22.5	240	8	25	72	97	233
TLV8F18N20M4	22.5	480	8	25	72	97	233
TLV8F18N25M2	27.0	240	8	30	72	102	238
TLV8F18N25M4	27.0	480	8	30	72	102	238
TLV8F18N33M2	36.0	240	8	38	72	110	247
TLV8F18N33M4	36.0	480	8	38	72	110	247
TLV8F18N40M2	45.0	240	8	45	72	117	254
TLV8F18N40M4	45.0	480	8	45	72	117	254
TLV8F18N48M2	54.0	240	8	53	72	125	263
TLV8F18N48M4	54.0	480	8	53	72	125	263
TLV8F18N52M2	60.0	240	8	57	72	129	267
TLV8F18N52M4	60.0	480	8	57	72	129	267
TLV8F18N64M2	76.5	240	8	69	72	141	283
TLV8F18N64M4	76.5	480	8	69	72	141	283
TLV8F18N77M2	90.0	240	8	82	72	154	294
TLV8F18N77M4	90.0	480	8	82	72	154	294
TLV8F18N88M4	100.8	480	8	93	72	165	306
TLV8F18N106M4	113.4	480	8	111	72	183	326
TLV8F24N18M2	24.0	240	8	23	72	95	235
TLV8F24N18M4	24.0	480	8	23	72	95	237
TLV8F24N20M2	30.0	240	8	25	72	97	240
TLV8F24N20M4	30.0	480	8	25	72	97	240
TLV8F24N25M2	36.0	240	8	30	72	102	247
TLV8F24N25M4	36.0	480	8	30	72	102	247
TLV8F24N33M2	48.0	240	8	38	72	110	259
TLV8F24N33M4	48.0	480	8	38	72	110	259
TLV8F24N40M2	60.0	240	8	45	72	117	269
TLV8F24N40M4	60.0	480	8	45	72	117	269
TLV8F24N48M2	72.0	240	8	53	72	125	280
TLV8F24N48M4	72.0	480	8	53	72	125	280
TLV8F24N52M2	80.0	240	8	57	72	129	286
TLV8F24N52M4	80.0	480	8	57	72	129	286
TLV8F24N64M2	102.0	240	8	69	72	141	307
TLV8F24N64M4	102.0	480	8	69	72	141	307
TLV8F24N77M2	120.0	240	8	82	72	154	322
TLV8F24N77M4	120.0	480	8	82	72	154	322

WattDensity: 20

Catalog Number	kW	Voltage	Bundle Diam.(In.)	Heater Length (In.)	Std. Riser Length (In.)	Overall Length (In.)	Weight (lbs.)
TLV3F3N18B2Y	2.7	240	3	21	36	57	45
TLV3F3N18B4Y	2.7	480	3	21	36	57	45
TLV3F3N20B2Y	3.3	240	3	23	36	59	46
TLV3F3N20B4Y	3.3	480	3	23	36	59	46
TLV3F3N25B2Y	4.0	240	3	28	36	64	47

Over-the-Side Type TLV

WattDensity: 20

Catalog Number	kW	Voltage	Bundle Diam.(In.)	Heater Length (In.)	Std. Riser Length (In.)	Overall Length (In.)	Weight (lbs.)
TLV3F3N25B4Y	4.0	480	3	28	36	64	47
TLV3F3N33B2Y	5.0	240	3	36	36	72	48
TLV3F3N33B4Y	5.0	480	3	36	36	72	48
TLV3F3N43B2Y	6.7	240	3	46	36	82	48
TLV3F3N43B4Y	6.7	480	3	46	36	82	50
TLV3F3N52B2Y	8.3	240	3	55	36	91	50
TLV3F3N52B4Y	8.3	480	3	55	36	91	51
TLV3F3N61B2Y	10.0	240	3	64	36	100	53
TLV3F3N61B4Y	10.0	480	3	64	36	100	53
TLV3F3N88B4Y	14.8	480	3	91	36	127	58
TLV3F3N106B4Y	16.7	480	3	109	36	145	61
TLV3F3N120B4Y	19.0	480	3	123	36	159	64
TLV4F6N18B2Y	5.3	240	4	22	48	70	83
TLV4F6N18B4Y	5.3	480	4	22	48	70	83
TLV4F6N20B2Y	6.7	240	4	24	48	72	84
TLV4F6N20B4Y	6.7	480	4	24	48	72	84
TLV4F6N25B2Y	8.0	240	4	29	48	77	86
TLV4F6N25B4Y	8.0	480	4	29	48	77	86
TLV4F6N33B2Y	10.0	240	4	37	48	85	89
TLV4F6N33B4Y	10.0	480	4	37	48	85	89
TLV4F6N43B2Y	13.3	240	4	47	48	95	89
TLV4F6N43B4Y	13.3	480	4	47	48	95	92
TLV4F6N52B2Y	16.7	240	4	56	48	104	94
TLV4F6N52B4Y	16.7	480	4	56	48	104	96
TLV4F6N61B2Y	20.0	240	4	65	48	113	99
TLV4F6N61B4Y	20.0	480	4	65	48	113	99
TLV4F6N88B4Y	29.6	480	4	92	48	140	109
TLV4F6N106B4Y	33.4	480	4	110	48	158	115
TLV4F6N120B4Y	38.0	480	4	124	48	172	120
TLV5F6N18B2Y	5.3	240	5	22	48	70	98
TLV5F6N18B4Y	5.3	480	5	22	48	70	98
TLV5F6N20B2Y	6.7	240	5	24	48	72	99
TLV5F6N20B4Y	6.7	480	5	24	48	72	99
TLV5F6N25B2Y	8.0	240	5	29	48	77	101
TLV5F6N25B4Y	8.0	480	5	29	48	77	101
TLV5F6N33B2Y	10.0	240	5	37	48	85	104
TLV5F6N33B4Y	10.0	480	5	37	48	85	104
TLV5F6N43B2Y	13.3	240	5	47	48	95	104
TLV5F6N43B4Y	13.3	480	5	47	48	95	107
TLV5F6N52B2Y	16.7	240	5	56	48	104	109
TLV5F6N52B4Y	16.7	480	5	56	48	104	111
TLV5F6N61B2Y	20.0	240	5	65	48	113	114
TLV5F6N61B4Y	20.0	480	5	65	48	113	114
TLV5F6N88B4Y	29.6	480	5	92	48	140	124
TLV5F6N106B4Y	33.4	480	5	110	48	158	130
TLV5F6N120B4Y	38.0	480	5	124	48	172	135
TLV5F9N18B2Y	8.0	240	5	22	48	70	102
TLV5F9N18B4Y	8.0	480	5	22	48	70	102
TLV5F9N20B2Y	10.0	240	5	24	48	72	103

Over-the-Side Type TLV

WattDensity: 20

Catalog Number	kW	Voltage	Bundle Diam.(In.)	Heater Length (In.)	Std. Riser Length (In.)	Overall Length (In.)	Weight (lbs.)
TLV5F9N20B4Y	10.0	480	5	24	48	72	103
TLV5F9N25B2Y	12.0	240	5	29	48	77	106
TLV5F9N25B4Y	12.0	480	5	29	48	77	106
TLV5F9N33B2Y	15.0	240	5	37	48	85	109
TLV5F9N33B4Y	15.0	480	5	37	48	85	110
TLV5F9N43B2Y	20.0	240	5	47	48	95	110
TLV5F9N43B4Y	20.0	480	5	47	48	95	115
TLV5F9N52B2Y	25.0	240	5	56	48	104	117
TLV5F9N52B4Y	25.0	480	5	56	48	104	120
TLV5F9N61B2Y	30.0	240	5	65	48	113	125
TLV5F9N61B4Y	30.0	480	5	65	48	113	125
TLV5F9N88B4Y	44.4	480	5	92	48	140	140
TLV5F9N106B4Y	50.1	480	5	110	48	158	150
TLV5F9N120B4Y	57.0	480	5	124	48	172	157
TLV6F12N18B2Y	10.7	240	6	22	60	82	137
TLV6F12N18B4Y	10.7	480	6	22	60	82	137
TLV6F12N20B2Y	13.3	240	6	24	60	84	138
TLV6F12N20B4Y	13.3	480	6	24	60	84	138
TLV6F12N25B2Y	16.0	240	6	29	60	89	142
TLV6F12N25B4Y	16.0	480	6	29	60	89	142
TLV6F12N33B2Y	20.0	240	6	37	60	97	147
TLV6F12N33B4Y	20.0	480	6	37	60	97	148
TLV6F12N43B4Y	26.6	480	6	47	60	107	155
TLV6F12N43B2Y	26.7	240	6	47	60	107	148
TLV6F12N52B2Y	33.3	240	6	56	60	116	158
TLV6F12N52B4Y	33.4	480	6	56	60	116	161
TLV6F12N61B2Y	40.0	240	6	65	60	125	168
TLV6F12N61B4Y	40.0	480	6	65	60	125	168
TLV6F12N88B4Y	59.2	480	6	92	60	152	187
TLV6F12N106B4Y	66.8	480	6	110	60	170	201
TLV6F12N120B4Y	76.0	480	6	124	60	184	210
TLV6F15N18B2Y	13.3	240	6	22	60	82	140
TLV6F15N18B4Y	13.3	480	6	22	60	82	140
TLV6F15N20B2Y	16.7	240	6	24	60	84	142
TLV6F15N20B4Y	16.7	480	6	24	60	84	142
TLV6F15N25B2Y	20.0	240	6	29	60	89	147
TLV6F15N25B4Y	20.0	480	6	29	60	89	147
TLV6F15N33B2Y	25.0	240	6	37	60	97	153
TLV6F15N33B4Y	25.0	480	6	37	60	97	154
TLV6F15N43B2Y	33.3	240	6	47	60	107	154
TLV6F15N43B4Y	33.3	480	6	47	60	107	163
TLV6F15N52B2Y	41.7	240	6	56	60	116	166
TLV6F15N52B4Y	41.7	480	6	56	60	116	171
TLV6F15N61B2Y	50.0	240	6	65	60	125	179
TLV6F15N61B4Y	50.0	480	6	65	60	125	179
TLV6F15N88B4Y	74.0	480	6	92	60	152	203
TLV6F15N106B4Y	83.5	480	6	110	60	170	220
TLV6F15N120B4Y	95.0	480	6	124	60	184	232
TLV8F18N18B2Y	16.0	240	8	23	72	95	230

Over-the-Side Type TLV

WattDensity: 20

Catalog Number	kW	Voltage	Bundle Diam.(In.)	Heater Length (In.)	Std. Riser Length (In.)	Overall Length (In.)	Weight (lbs.)
TLV8F18N18B4Y	16.0	480	8	23	72	95	230
TLV8F18N20B2Y	20.0	240	8	25	72	97	233
TLV8F18N20B4Y	20.0	480	8	25	72	97	233
TLV8F18N25B2Y	24.0	240	8	30	72	102	238
TLV8F18N25B4Y	24.0	480	8	30	72	102	238
TLV8F18N33B2Y	30.0	240	8	38	72	110	246
TLV8F18N33B4Y	30.0	480	8	38	72	110	247
TLV8F18N43B2Y	40.0	240	8	48	72	120	247
TLV8F18N43B4Y	40.0	480	8	48	72	120	257
TLV8F18N52B2Y	50.0	240	8	57	72	129	262
TLV8F18N52B4Y	50.0	480	8	57	72	129	267
TLV8F18N61B2Y	60.0	240	8	66	72	138	277
TLV8F18N61B4Y	60.0	480	8	66	72	138	277
TLV8F18N88B4Y	89.0	480	8	93	72	165	306
TLV8F18N106B4Y	100.0	480	8	111	72	183	326
TLV8F18N120B4Y	113.8	480	8	125	72	197	341
TLV8F24N18B2Y	21.3	240	8	23	72	95	237
TLV8F24N18B4Y	21.3	480	8	23	72	95	237
TLV8F24N20B2Y	26.7	240	8	25	72	97	240
TLV8F24N20B4Y	26.7	480	8	25	72	97	240
TLV8F24N25B2Y	32.0	240	8	30	72	102	247
TLV8F24N25B4Y	32.0	480	8	30	72	102	247
TLV8F24N33B2Y	40.0	240	8	38	72	110	257
TLV8F24N33B4Y	40.0	480	8	38	72	110	259
TLV8F24N43B2Y	53.2	240	8	48	72	120	259
TLV8F24N43B4Y	53.2	480	8	48	72	120	273
TLV8F24N52B2Y	66.8	240	8	57	72	129	279
TLV8F24N52B4Y	66.8	480	8	57	72	129	286
TLV8F24N61B2Y	80.0	240	8	66	72	138	299
TLV8F24N61B4Y	80.0	480	8	66	72	138	299
TLV8F24N88B4Y	118.0	480	8	93	72	165	338

WattDensity: 15

Catalog Number	kW	Voltage	Bundle Diam.(In.)	Heater Length (In.)	Std. Riser Length (In.)	Overall Length (In.)	Weight (lbs.)
TLV3F3N13H2Y	1.5	240	3	16	36	52	44
TLV3F3N13H4Y	1.5	480	3	16	36	52	44
TLV3F3N18H2Y	2.0	240	3	21	36	57	45
TLV3F3N18H4Y	2.0	480	3	21	36	57	45
TLV3F3N20H2Y	2.5	240	3	23	36	59	46
TLV3F3N20H4Y	2.5	480	3	23	36	59	46
TLV3F3N25H2Y	3.0	240	3	28	36	64	47
TLV3F3N25H4Y	3.0	480	3	28	36	64	47
TLV3F3N33H2Y	4.0	240	3	36	36	72	48
TLV3F3N33H4Y	4.0	480	3	36	36	72	48
TLV3F3N40H2Y	5.0	240	3	43	36	79	54
TLV3F3N40H4Y	5.0	480	3	43	36	79	49
TLV3F3N48H2Y	6.0	240	3	51	36	87	51
TLV3F3N48H4Y	6.0	480	3	51	36	87	50

Over-the-Side Type TLV

WattDensity: 15

Catalog Number	kW	Voltage	Bundle Diam.(In.)	Heater Length (In.)	Std. Riser Length (In.)	Overall Length (In.)	Weight (lbs.)
TLV3F3N61H2Y	8.3	240	3	64	36	100	53
TLV3F3N61H4Y	8.3	480	3	64	36	100	53
TLV3F3N78H2Y	11.1	240	3	81	36	117	56
TLV3F3N78H4Y	11.1	480	3	81	36	117	56
TLV3F3N88H4Y	12.5	480	3	91	36	127	58
TLV3F3N106H4Y	13.9	480	3	109	36	145	61
TLV3F3N120H4Y	15.0	480	3	123	36	159	64
TLV3F3N140H4Y	17.5	480	3	143	36	179	67
TLV3F3N160H4Y	20.0	480	3	163	36	199	71
TLV3F3N180H4Y	22.5	480	3	183	36	219	74
TLV4F6N13H2Y	3.0	240	4	17	48	65	82
TLV4F6N13H4Y	3.0	480	4	17	48	65	82
TLV4F6N18H2Y	4.0	240	4	22	48	70	83
TLV4F6N18B2S	4.0	240	4	22	48	70	83
TLV4F6N18H4Y	4.0	480	4	22	48	70	83
TLV4F6N18B4S	4.0	480	4	22	48	70	83
TLV4F6N20H2Y	5.0	240	4	24	48	72	84
TLV4F6N20B2S	5.0	240	4	24	48	72	84
TLV4F6N20B4S	5.0	480	4	24	48	72	84
TLV4F6N20H4Y	5.0	480	4	24	48	72	84
TLV4F6N25B2S	6.0	240	4	29	48	77	86
TLV4F6N25H2Y	6.0	240	4	29	48	77	86
TLV4F6N25B4S	6.0	480	4	29	48	77	86
TLV4F6N25H4Y	6.0	480	4	29	48	77	86
TLV4F6N33B2S	7.5	240	4	37	48	85	89
TLV4F6N33B4S	7.5	480	4	37	48	85	89
TLV4F6N33H2Y	8.0	240	4	37	48	85	89
TLV4F6N33H4Y	8.0	480	4	37	48	85	89
TLV4F6N40H2Y	10.0	240	4	44	48	92	101
TLV4F6N40H4Y	10.0	480	4	44	48	92	91
TLV4F6N43B2S	10.0	240	4	47	48	95	89
TLV4F6N43B4S	10.0	480	4	47	48	95	92
TLV4F6N48H2Y	12.0	240	4	52	48	100	94
TLV4F6N48H4Y	12.0	480	4	52	48	100	94
TLV4F6N52B2S	12.5	240	4	56	48	104	94
TLV4F6N52B4S	12.5	480	4	56	48	104	96
TLV4F6N61B2S	15.0	240	4	65	48	113	99
TLV4F6N61B4S	15.0	480	4	65	48	113	99
TLV4F6N61H2Y	16.7	240	4	65	48	113	99
TLV4F6N61H4Y	16.7	480	4	65	48	113	99
TLV4F6N78H2Y	22.2	240	4	82	48	130	105
TLV4F6N78H4Y	22.2	480	4	82	48	130	105
TLV4F6N88B4S	22.2	480	4	92	48	140	109
TLV4F6N88H4Y	25.0	480	4	92	48	140	109
TLV4F6N106B4S	25.1	480	4	110	48	158	115
TLV4F6N106H4Y	27.8	480	4	110	48	158	115
TLV4F6N120B4S	28.5	480	4	124	48	172	120
TLV4F6N120H4Y	30.0	480	4	124	48	172	120
TLV4F6N140H4Y	35.0	480	4	144	48	192	127

Over-the-Side Type TLV

WattDensity: 15

Catalog Number	kW	Voltage	Bundle Diam.(In.)	Heater Length (In.)	Std. Riser Length (In.)	Overall Length (In.)	Weight (lbs.)
TLV4F6N160H4Y	40.0	480	4	164	48	212	135
TLV4F6N180H4Y	45.0	480	4	184	48	232	142
TLV5F6N13H2Y	3.0	240	5	17	48	65	97
TLV5F6N13H4Y	3.0	480	5	17	48	65	97
TLV5F6N18H2Y	4.0	240	5	22	48	70	98
TLV5F6N18B2S	4.0	240	5	22	48	70	98
TLV5F6N18H4Y	4.0	480	5	22	48	70	98
TLV5F6N18B4S	4.0	480	5	22	48	70	98
TLV5F6N20B2S	5.0	240	5	24	48	72	99
TLV5F6N20H2Y	5.0	240	5	24	48	72	99
TLV5F6N20B4S	5.0	480	5	24	48	72	99
TLV5F6N20H4Y	5.0	480	5	24	48	72	99
TLV5F6N25H2Y	6.0	240	5	29	48	77	101
TLV5F6N25B2S	6.0	240	5	29	48	77	101
TLV5F6N25B4S	6.0	480	5	29	48	77	101
TLV5F6N25H4Y	6.0	480	5	29	48	77	101
TLV5F6N33B2S	7.5	240	5	37	48	85	104
TLV5F6N33B4S	7.5	480	5	37	48	85	104
TLV5F6N33H2Y	8.0	240	5	37	48	85	104
TLV5F6N33H4Y	8.0	480	5	37	48	85	104
TLV5F6N40H2Y	10.0	240	5	44	48	92	116
TLV5F6N40H4Y	10.0	480	5	44	48	92	106
TLV5F6N43B2S	10.0	240	5	47	48	95	104
TLV5F6N43B4S	10.0	480	5	47	48	95	107
TLV5F6N48H2Y	12.0	240	5	52	48	100	109
TLV5F6N48H4Y	12.0	480	5	52	48	100	109
TLV5F6N52B2S	12.5	240	5	56	48	104	109
TLV5F6N52B4S	12.5	480	5	56	48	104	111
TLV5F6N61B2S	15.0	240	5	65	48	113	114
TLV5F6N61B4S	15.0	480	5	65	48	113	114
TLV5F6N61H2Y	16.7	240	5	65	48	113	114
TLV5F6N61H4Y	16.7	480	5	65	48	113	114
TLV5F6N78H2Y	22.2	240	5	82	48	130	120
TLV5F6N78H4Y	22.2	480	5	82	48	130	120
TLV5F6N88B4S	22.2	480	5	92	48	140	124
TLV5F6N88H4Y	25.0	480	5	92	48	140	124
TLV5F6N106B4D	25.1	240	5	110	48	158	130
TLV5F6N106B4S	25.1	480	5	110	48	158	130
TLV5F6N106H4Y	27.8	480	5	110	48	158	130
TLV5F6N120B4S	28.5	480	5	124	48	172	135
TLV5F6N120H4Y	30.0	480	5	124	48	172	135
TLV5F6N140H4Y	35.0	480	5	144	48	192	142
TLV5F6N160H4Y	40.0	480	5	164	48	212	150
TLV5F6N180H4Y	45.0	480	5	184	48	232	157
TLV5F9N13H2Y	4.5	240	5	17	48	65	99
TLV5F9N13H4Y	4.5	480	5	17	48	65	99
TLV5F9N18H2Y	6.0	240	5	22	48	70	102
TLV5F9N18H4Y	6.0	480	5	22	48	70	102
TLV5F9N20H2Y	7.5	240	5	24	48	72	103

Over-the-Side Type TLV

WattDensity: 15

Catalog Number	kW	Voltage	Bundle Diam.(In.)	Heater Length (In.)	Std. Riser Length (In.)	Overall Length (In.)	Weight (lbs.)
TLV5F9N20H4Y	7.5	480	5	24	48	72	103
TLV5F9N25H2Y	9.0	240	5	29	48	77	106
TLV5F9N25H4Y	9.0	480	5	29	48	77	106
TLV5F9N33H2Y	12.0	240	5	37	48	85	109
TLV5F9N33H4Y	12.0	480	5	37	48	85	110
TLV5F9N40H2Y	15.0	240	5	44	48	92	128
TLV5F9N40H4Y	15.0	480	5	44	48	92	114
TLV5F9N48H2Y	18.0	240	5	52	48	100	118
TLV5F9N48H4Y	18.0	480	5	52	48	100	117
TLV5F9N61H2Y	25.0	240	5	65	48	113	125
TLV5F9N61H4Y	25.0	480	5	65	48	113	125
TLV5F9N78H2Y	33.3	240	5	82	48	130	134
TLV5F9N78H4Y	33.3	480	5	82	48	130	134
TLV5F9N88H4Y	37.5	480	5	92	48	140	140
TLV5F9N106H4Y	41.7	480	5	110	48	158	149
TLV5F9N120H4Y	45.0	480	5	124	48	172	157
TLV5F9N140H4Y	52.5	480	5	144	48	192	168
TLV5F9N160H4Y	60.0	480	5	164	48	212	178
TLV5F9N180H4Y	67.5	480	5	184	48	232	189
TLV6F12N13H2Y	6.0	240	6	17	60	77	133
TLV6F12N13H4Y	6.0	480	6	17	60	77	133
TLV6F12N18B2S	8.0	240	6	22	60	82	137
TLV6F12N18H2Y	8.0	240	6	22	60	82	137
TLV6F12N18H4Y	8.0	480	6	22	60	82	137
TLV6F12N18B4S	8.0	480	6	22	60	82	137
TLV6F12N20B2S	10.0	240	6	24	60	84	138
TLV6F12N20H2Y	10.0	240	6	24	60	84	138
TLV6F12N20B4S	10.0	480	6	24	60	84	138
TLV6F12N20H4Y	10.0	480	6	24	60	84	138
TLV6F12N25B2S	12.0	240	6	29	60	89	142
TLV6F12N25H2Y	12.0	240	6	29	60	89	142
TLV6F12N25H4Y	12.0	480	6	29	60	89	142
TLV6F12N25B4S	12.0	480	6	29	60	89	142
TLV6F12N33B2S	15.0	240	6	37	60	97	147
TLV6F12N33B4S	15.0	480	6	37	60	97	148
TLV6F12N33H2Y	16.0	240	6	37	60	97	147
TLV6F12N33H4Y	16.0	480	6	37	60	97	148
TLV6F12N40H2Y	20.0	240	6	44	60	104	172
TLV6F12N40H4Y	20.0	480	6	44	60	104	153
TLV6F12N43B2S	20.0	240	6	47	60	107	148
TLV6F12N43B4S	20.0	480	6	47	60	107	155
TLV6F12N48H2Y	24.0	240	6	52	60	112	159
TLV6F12N48H4Y	24.0	480	6	52	60	112	158
TLV6F12N52B2S	25.0	240	6	56	60	116	158
TLV6F12N52B4S	25.0	480	6	56	60	116	161
TLV6F12N61B2S	30.0	240	6	65	60	125	168
TLV6F12N61B4S	30.0	480	6	65	60	125	168
TLV6F12N61H2Y	33.3	240	6	65	60	125	168
TLV6F12N61H4Y	33.3	480	6	65	60	125	168

Over-the-Side Type TLV

WattDensity: 15

Catalog Number	kW	Voltage	Bundle Diam.(In.)	Heater Length (In.)	Std. Riser Length (In.)	Overall Length (In.)	Weight (lbs.)
TLV6F12N78H2Y	44.4	240	6	82	60	142	180
TLV6F12N78H4Y	44.4	480	6	82	60	142	180
TLV6F12N88B4D	44.4	240	6	92	60	152	187
TLV6F12N88H4Y	50.0	480	6	92	60	152	187
TLV6F12N106B4S	50.1	480	6	110	60	170	201
TLV6F12N106H4Y	55.6	480	6	110	60	170	200
TLV6F12N120B4S	57.0	480	6	124	60	184	210
TLV6F12N120H4Y	60.0	480	6	124	60	184	210
TLV6F12N140H4Y	70.0	480	6	144	60	204	225
TLV6F12N160H4Y	80.0	480	6	164	60	224	239
TLV6F12N180H4Y	90.0	480	6	184	60	244	254
TLV6F15N13H2Y	7.5	240	6	17	60	77	136
TLV6F15N13H4Y	7.5	480	6	17	60	77	136
TLV6F15N18H2Y	10.0	240	6	22	60	82	140
TLV6F15N18H4Y	10.0	480	6	22	60	82	140
TLV6F15N20H2Y	12.5	240	6	24	60	84	142
TLV6F15N20H4Y	12.5	480	6	24	60	84	142
TLV6F15N25H2Y	15.0	240	6	29	60	89	147
TLV6F15N25H4Y	15.0	480	6	29	60	89	147
TLV6F15N33H2Y	20.0	240	6	37	60	97	153
TLV6F15N33H4Y	20.0	480	6	37	60	97	154
TLV6F15N40H2Y	25.0	240	6	44	60	104	184
TLV6F15N40H4Y	25.0	480	6	44	60	104	160
TLV6F15N48H2Y	30.0	240	6	52	60	112	167
TLV6F15N48H4Y	30.0	480	6	52	60	112	166
TLV6F15N61H2Y	41.7	240	6	65	60	125	179
TLV6F15N61H4Y	41.7	480	6	65	60	125	179
TLV6F15N78H2Y	55.5	240	6	82	60	142	194
TLV6F15N78H4Y	55.5	480	6	82	60	142	194
TLV6F15N88H4Y	62.5	480	6	92	60	152	203
TLV6F15N106H4Y	69.5	480	6	110	60	170	219
TLV6F15N120H4Y	75.0	480	6	124	60	184	232
TLV6F15N140H4Y	87.5	480	6	144	60	204	250
TLV6F15N160H4Y	101.0	480	6	164	60	224	268
TLV6F15N180H4Y	112.5	480	6	184	60	244	286
TLV8F18N13H2Y	9.0	240	8	18	72	90	225
TLV8F18N13H4Y	9.0	480	8	18	72	90	225
TLV8F18N18B2S	12.0	240	8	23	72	95	230
TLV8F18N18H2Y	12.0	240	8	23	72	95	230
TLV8F18N18B4S	12.0	480	8	23	72	95	230
TLV8F18N18H4Y	12.0	480	8	23	72	95	230
TLV8F18N20B2S	15.0	240	8	25	72	97	233
TLV8F18N20H2Y	15.0	240	8	25	72	97	233
TLV8F18N20B4S	15.0	480	8	25	72	97	233
TLV8F18N20H4Y	15.0	480	8	25	72	97	233
TLV8F18N25H2Y	18.0	240	8	30	72	102	238
TLV8F18N25B2S	18.0	240	8	30	72	102	238
TLV8F18N25B4S	18.0	480	8	30	72	102	238
TLV8F18N25H4Y	18.0	480	8	30	72	102	238

Over-the-Side Type TLV

WattDensity: 15

Catalog Number	kW	Voltage	Bundle Diam.(In.)	Heater Length (In.)	Std. Riser Length (In.)	Overall Length (In.)	Weight (lbs.)
TLV8F18N33B2S	22.5	240	8	38	72	110	246
TLV8F18N33B4S	22.5	480	8	38	72	110	247
TLV8F18N33H2Y	24.0	240	8	38	72	110	246
TLV8F18N33H4Y	24.0	480	8	38	72	110	247
TLV8F18N40H2Y	30.0	240	8	45	72	117	283
TLV8F18N40H4Y	30.0	480	8	45	72	117	254
TLV8F18N43B2S	30.0	240	8	48	72	120	247
TLV8F18N43B4S	30.0	480	8	48	72	120	257
TLV8F18N48H2Y	36.0	240	8	53	72	125	263
TLV8F18N48H4Y	36.0	480	8	53	72	125	262
TLV8F18N52B2S	37.5	240	8	57	72	129	262
TLV8F18N52B4S	37.5	480	8	57	72	129	267
TLV8F18N61B2S	45.0	240	8	66	72	138	277
TLV8F18N61B4S	45.0	480	8	66	72	138	277
TLV8F18N61H4Y	50.0	480	8	66	72	138	277
TLV8F18N78H4Y	67.0	480	8	83	72	155	295
TLV8F18N88B4S	66.6	480	8	93	72	165	306
TLV8F18N88H4Y	75.0	480	8	93	72	165	306
TLV8F18N106B4S	75.0	480	8	111	72	183	326
TLV8F18N106H4Y	83.3	480	8	111	72	183	325
TLV8F18N120B4S	85.3	480	8	125	72	197	341
TLV8F18N120H4Y	89.9	480	8	125	72	197	341
TLV8F18N140H4Y	104.8	480	8	145	72	217	362
TLV8F24N13H2Y	12.0	240	8	18	72	90	230
TLV8F24N13H4Y	12.0	480	8	18	72	90	230
TLV8F24N18H2Y	16.0	240	8	23	72	95	237
TLV8F24N18B2S	16.0	240	8	23	72	95	237
TLV8F24N18B4S	16.0	480	8	23	72	95	237
TLV8F24N18H4Y	16.0	480	8	23	72	95	237
TLV8F24N20H2Y	20.0	240	8	25	72	97	240
TLV8F24N20B2S	20.0	240	8	25	72	97	240
TLV8F24N20B4S	20.0	480	8	25	72	97	240
TLV8F24N20H4Y	20.0	480	8	25	72	97	240
TLV8F24N25H2Y	24.0	240	8	30	72	102	247
TLV8F24N25B2S	24.0	240	8	30	72	102	247
TLV8F24N25B4S	24.0	480	8	30	72	102	247
TLV8F24N25H4Y	24.0	480	8	30	72	102	247
TLV8F24N33B2S	30.0	240	8	38	72	110	257
TLV8F24N33B4S	30.0	480	8	38	72	110	259
TLV8F24N33H2Y	32.0	240	8	38	72	110	257
TLV8F24N33H4Y	32.0	480	8	38	72	110	259
TLV8F24N40H2Y	40.0	240	8	45	72	117	307
TLV8F24N40H4Y	40.0	480	8	45	72	117	269
TLV8F24N43B2S	40.0	240	8	48	72	120	259
TLV8F24N43B4S	40.0	480	8	48	72	120	273
TLV8F24N48H2Y	48.0	240	8	53	72	125	280
TLV8F24N48H4Y	48.0	480	8	53	72	125	279
TLV8F24N52B2S	50.0	240	8	57	72	129	279
TLV8F24N52B4S	50.0	480	8	57	72	129	286

Over-the-Side Type TLV

WattDensity: 15

Catalog Number	kW	Voltage	Bundle Diam.(In.)	Heater Length (In.)	Std. Riser Length (In.)	Overall Length (In.)	Weight (lbs.)
TLV8F24N61B2S	60.0	240	8	66	72	138	299
TLV8F24N61B4S	60.0	480	8	66	72	138	299
TLV8F24N61H2Y	66.7	240	8	66	72	138	299
TLV8F24N61H4Y	66.7	480	8	66	72	138	299
TLV8F24N78H2Y	88.8	240	8	83	72	155	323
TLV8F24N78H4Y	88.8	480	8	83	72	155	323
TLV8F24N88B4S	88.8	480	8	93	72	165	338
TLV8F24N88H4Y	100.0	480	8	93	72	165	338
TLV8F24N106B4S	100.0	480	8	111	72	183	365
TLV8F24N106H4Y	111.0	480	8	111	72	183	364
TLV8F24N120B4S	113.8	480	8	125	72	197	384
TLV8F24N120H4Y	119.8	480	8	125	72	197	384

WattDensity: 12

Catalog Number	kW	Voltage	Bundle Diam.(In.)	Heater Length (In.)	Std. Riser Length (In.)	Overall Length (In.)	Weight (lbs.)
TLV4F6N13H2S	2.2	240	4	17	48	65	82
TLV4F6N13H4S	2.2	480	4	17	48	65	82
TLV4F6N18H2S	3.0	240	4	22	48	70	83
TLV4F6N18H4S	3.0	480	4	22	48	70	83
TLV4F6N20H2S	3.8	240	4	24	48	72	84
TLV4F6N20H4S	3.8	480	4	24	48	72	84
TLV4F6N25H2S	4.5	240	4	29	48	77	86
TLV4F6N25H4S	4.5	480	4	29	48	77	86
TLV4F6N33H2S	6.0	240	4	37	48	85	89
TLV4F6N33H4S	6.0	480	4	37	48	85	89
TLV4F6N40H2S	7.5	240	4	44	48	92	101
TLV4F6N40H4S	7.5	480	4	44	48	92	91
TLV4F6N48H2S	9.0	240	4	52	48	100	94
TLV4F6N48H4S	9.0	480	4	52	48	100	94
TLV4F6N61H2S	12.5	240	4	65	48	113	99
TLV4F6N61H4S	12.5	480	4	65	48	113	99
TLV4F6N78H2S	16.7	240	4	82	48	130	105
TLV4F6N78H4S	16.7	480	4	82	48	130	105
TLV4F6N88H4D	18.8	240	4	92	48	140	109
TLV4F6N88H4S	18.8	480	4	92	48	140	109
TLV4F6N106H4D	20.8	240	4	110	48	158	115
TLV4F6N106H4S	20.8	480	4	110	48	158	115
TLV4F6N120H4D	22.5	240	4	124	48	172	120
TLV4F6N120H4S	22.5	480	4	124	48	172	120
TLV4F6N140H4D	26.2	240	4	144	48	192	127
TLV4F6N140H4S	26.2	480	4	144	48	192	127
TLV4F6N160H4D	30.0	240	4	164	48	212	135
TLV4F6N160H4S	30.0	480	4	164	48	212	135
TLV4F6N180H4D	34.0	240	4	184	48	232	142
TLV4F6N180H4S	34.0	480	4	184	48	232	142
TLV5F6N13H2S	2.2	240	5	17	48	65	97
TLV5F6N13H4S	2.2	480	5	17	48	65	97
TLV5F6N18H2S	3.0	240	5	22	48	70	98

Over-the-Side Type TLV

WattDensity: 12

Catalog Number	kW	Voltage	Bundle Diam.(In.)	Heater Length (In.)	Std. Riser Length (In.)	Overall Length (In.)	Weight (lbs.)
TLV5F6N18H4S	3.0	480	5	22	48	70	98
TLV5F6N20H2S	3.8	240	5	24	48	72	99
TLV5F6N20H4S	3.8	480	5	24	48	72	99
TLV5F6N25H2S	4.5	240	5	29	48	77	101
TLV5F6N25H4S	4.5	480	5	29	48	77	101
TLV5F6N33H2S	6.0	240	5	37	48	85	104
TLV5F6N33H4S	6.0	480	5	37	48	85	104
TLV5F6N40H2S	7.5	240	5	44	48	92	116
TLV5F6N40H4S	7.5	480	5	44	48	92	106
TLV5F6N48H2S	9.0	240	5	52	48	100	109
TLV5F6N48H4S	9.0	480	5	52	48	100	109
TLV5F6N61H2S	12.5	240	5	65	48	113	114
TLV5F6N61H4S	12.5	480	5	65	48	113	114
TLV5F6N78H2S	16.7	240	5	82	48	130	120
TLV5F6N78H4S	16.7	480	5	82	48	130	120
TLV5F6N88H4S	18.8	480	5	92	48	140	124
TLV5F6N88H4D	19.0	240	5	92	48	140	124
TLV5F6N106H4D	20.8	240	5	110	48	158	130
TLV5F6N106H4S	20.8	480	5	110	48	158	130
TLV5F6N120H4S	22.5	480	5	124	48	172	135
TLV5F6N120H4D	90.0	240	5	124	48	172	135
TLV5F6N140H4D	26.2	240	5	144	48	192	142
TLV5F6N140H4S	26.2	480	5	144	48	192	142
TLV5F6N160H4D	30.0	240	5	164	48	212	150
TLV5F6N160H4S	30.0	480	5	164	48	212	150
TLV5F6N180H4D	34.0	240	5	184	48	232	157
TLV5F6N180H4S	34.0	480	5	184	48	232	157
TLV6F12N13H2S	4.5	240	6	17	60	77	133
TLV6F12N13H4S	4.5	480	6	17	60	77	133
TLV6F12N18H2S	6.0	240	6	22	60	82	137
TLV6F12N18H4S	6.0	480	6	22	60	82	137
TLV6F12N20H2S	7.5	240	6	24	60	84	138
TLV6F12N20H4S	7.5	480	6	24	60	84	138
TLV6F12N25H2S	9.0	240	6	29	60	89	142
TLV6F12N25H4S	9.0	480	6	29	60	89	142
TLV6F12N33H2S	12.0	240	6	37	60	97	147
TLV6F12N33H4S	12.0	480	6	37	60	97	148
TLV6F12N40H2S	15.0	240	6	44	60	104	172
TLV6F12N40H4S	15.0	480	6	44	60	104	153
TLV6F12N48H2S	18.0	240	6	52	60	112	159
TLV6F12N48H4S	18.0	480	6	52	60	112	158
TLV6F12N61H2S	25.0	240	6	65	60	125	168
TLV6F12N61H4S	25.0	480	6	65	60	125	168
TLV6F12N78H2S	33.3	240	6	82	60	142	180
TLV6F12N78H4S	33.3	480	6	82	60	142	180
TLV6F12N88H4D	37.5	240	6	92	60	152	187
TLV6F12N88H4S	37.5	480	6	92	60	152	187
TLV6F12N106H4D	41.7	240	6	110	60	170	200
TLV6F12N106H4S	41.7	480	6	110	60	170	200

Over-the-Side Type TLV

WattDensity: 12

Catalog Number	kW	Voltage	Bundle Diam.(In.)	Heater Length (In.)	Std. Riser Length (In.)	Overall Length (In.)	Weight (lbs.)
TLV6F12N120H4D	45.0	240	6	124	60	184	210
TLV6F12N120H4S	45.0	480	6	124	60	184	210
TLV6F12N140H4D	52.5	240	6	144	60	204	225
TLV6F12N140H4S	52.5	480	6	144	60	204	225
TLV6F12N160H4D	60.0	240	6	164	60	224	239
TLV6F12N160H4S	60.0	480	6	164	60	224	239
TLV6F12N180H4D	67.5	240	6	184	60	244	254
TLV6F12N180H4S	67.5	480	6	184	60	244	254
TLV8F18N13H2S	6.7	240	8	18	72	90	225
TLV8F18N13H4S	6.7	480	8	18	72	90	225
TLV8F18N18H2S	9.0	240	8	23	72	95	230
TLV8F18N18H4S	9.0	480	8	23	72	95	230
TLV8F18N61H4S	37.5	480	8	23	72	95	277
TLV8F18N20H2S	11.3	240	8	25	72	97	233
TLV8F18N20H4S	11.3	480	8	25	72	97	233
TLV8F18N25H2S	13.5	240	8	30	72	102	238
TLV8F18N25H4S	13.5	480	8	30	72	102	238
TLV8F18N33H2S	18.0	240	8	38	72	110	246
TLV8F18N33H4S	18.0	480	8	38	72	110	247
TLV8F18N40H2S	22.5	240	8	45	72	117	283
TLV8F18N40H4S	22.5	480	8	45	72	117	254
TLV8F18N48H2S	27.0	240	8	53	72	125	263
TLV8F18N48H4S	27.0	480	8	53	72	125	262
TLV8F18N61H2S	37.5	240	8	66	72	138	277
TLV8F18N78H2S	50.0	240	8	83	72	155	295
TLV8F18N78H4S	50.0	480	8	83	72	155	295
TLV8F18N88H4D	56.3	240	8	93	72	165	306
TLV8F18N88H4S	56.3	480	8	93	72	165	306
TLV8F18N106H4D	62.5	240	8	111	72	183	325
TLV8F18N106H4S	62.5	480	8	111	72	183	325
TLV8F18N120H4D	67.5	240	8	125	72	197	341
TLV8F18N120H4S	67.5	480	8	125	72	197	341
TLV8F18N140H4D	78.7	240	8	145	72	217	362
TLV8F18N140H4S	78.7	480	8	145	72	217	362
TLV8F18N160H4S	90.0	480	8	165	72	237	384
TLV8F18N160H4D	91.0	240	8	165	72	237	384
TLV8F18N180H4D	101.0	240	8	185	72	257	405
TLV8F18N180H4S	101.0	480	8	185	72	257	405
TLV8F24N13H2S	9.0	240	8	18	72	90	230
TLV8F24N13H4S	9.0	480	8	18	72	90	230
TLV8F24N18H2S	12.0	240	8	23	72	95	237
TLV8F24N18H4S	12.0	480	8	23	72	95	237
TLV8F24N20H2S	15.0	240	8	25	72	97	240
TLV8F24N20H4S	15.0	480	8	25	72	97	240
TLV8F24N25H2S	18.0	240	8	30	72	102	247
TLV8F24N25H4S	18.0	480	8	30	72	102	247
TLV8F24N33H2S	24.0	240	8	38	72	110	257
TLV8F24N33H4S	24.0	480	8	38	72	110	259
TLV8F24N40H2S	30.0	240	8	45	72	117	307

Over-the-Side Type TLV

WattDensity: 12

Catalog Number	kW	Voltage	Bundle Diam.(In.)	Heater Length (In.)	Std. Riser Length (In.)	Overall Length (In.)	Weight (lbs.)
TLV8F24N40H4S	30.0	480	8	45	72	117	269
TLV8F24N48H2S	36.0	240	8	53	72	125	280
TLV8F24N48H4S	36.0	480	8	53	72	125	279
TLV8F24N61H2S	50.0	240	8	66	72	138	299
TLV8F24N61H4S	50.0	480	8	66	72	138	299
TLV8F24N78H2S	66.7	240	8	83	72	155	323
TLV8F24N78H4S	66.7	480	8	83	72	155	323
TLV8F24N88H4D	75.0	240	8	93	72	165	338
TLV8F24N88H4S	75.0	480	8	93	72	165	338
TLV8F24N106H4D	83.5	240	8	111	72	183	364
TLV8F24N106H4S	83.5	480	8	111	72	183	364
TLV8F24N120H4D	90.1	240	8	125	72	197	384
TLV8F24N120H4S	90.1	480	8	125	72	197	384
TLV8F24N140H4D	105.1	240	8	145	72	217	413
TLV8F24N140H4S	105.1	480	8	145	72	217	413

WattDensity: 8

Catalog Number	kW	Voltage	Bundle Diam.(In.)	Heater Length (In.)	Std. Riser Length (In.)	Overall Length (In.)	Weight (lbs.)
TLV3F3N18M2Y	1.0	240	3	21	36	57	45
TLV3F3N18M4Y	1.0	480	3	21	36	57	45
TLV3F3N20M2Y	1.3	240	3	23	36	59	46
TLV3F3N20M4Y	1.3	480	3	23	36	59	46
TLV3F3N25M2Y	1.5	240	3	28	36	64	47
TLV3F3N25M4Y	1.5	480	3	28	36	64	47
TLV3F3N33M2Y	2.0	240	3	36	36	72	48
TLV3F3N33M4Y	2.0	480	3	36	36	72	48
TLV3F3N40M2Y	2.5	240	3	43	36	79	49
TLV3F3N40M4Y	2.5	480	3	43	36	79	49
TLV3F3N48M2Y	3.0	240	3	51	36	87	51
TLV3F3N48M4Y	3.0	480	3	51	36	87	51
TLV3F3N52M2Y	3.3	240	3	55	36	91	51
TLV3F3N52M4Y	3.3	480	3	55	36	91	51
TLV3F3N64M2Y	4.2	240	3	67	36	103	54
TLV3F3N64M4Y	4.2	480	3	67	36	103	54
TLV3F3N77M2Y	5.0	240	3	80	36	116	56
TLV3F3N77M4Y	5.0	480	3	80	36	116	56
TLV3F3N88M4Y	5.6	480	3	91	36	127	58
TLV3F3N106M4Y	6.3	480	3	109	36	145	61
TLV3F3N120M4Y	7.8	480	3	123	36	159	64
TLV3F3N140M4Y	9.0	480	3	143	36	179	67
TLV3F3N160M4Y	10.0	480	3	163	36	199	71
TLV4F6N18M2Y	2.0	240	4	22	48	70	83
TLV4F6N18M4Y	2.0	480	4	22	48	70	83
TLV4F6N20M2Y	2.5	240	4	24	48	72	84
TLV4F6N20M4Y	2.5	480	4	24	48	72	84
TLV4F6N25M2Y	3.0	240	4	29	48	77	86
TLV4F6N25M4Y	3.0	480	4	29	48	77	86
TLV4F6N33M2Y	4.0	240	4	37	48	85	89

Over-the-Side Type TLV

WattDensity: 8

Catalog Number	kW	Voltage	Bundle Diam.(In.)	Heater Length (In.)	Std. Riser Length (In.)	Overall Length (In.)	Weight (lbs.)
TLV4F6N33M4Y	4.0	480	4	37	48	85	89
TLV4F6N40M2Y	5.0	240	4	44	48	92	91
TLV4F6N40M4Y	5.0	480	4	44	48	92	91
TLV4F6N48M2Y	6.0	240	4	52	48	100	94
TLV4F6N48M4Y	6.0	480	4	52	48	100	94
TLV4F6N52M2Y	6.6	240	4	56	48	104	96
TLV4F6N52M4Y	6.6	480	4	56	48	104	96
TLV4F6N64M2Y	8.3	240	4	68	48	116	101
TLV4F6N64M4Y	8.3	480	4	68	48	116	101
TLV4F6N77M2Y	10.0	240	4	81	48	129	105
TLV4F6N77M4Y	10.0	480	4	81	48	129	105
TLV4F6N88M4Y	11.2	480	4	92	48	140	109
TLV4F6N106M4Y	12.6	480	4	110	48	158	115
TLV4F6N120M4Y	15.6	480	4	124	48	172	120
TLV4F6N140M4Y	17.5	480	4	144	48	192	127
TLV4F6N160M4Y	20.0	480	4	164	48	212	135
TLV5F6N18M2Y	2.0	240	5	22	48	70	98
TLV5F6N18M4Y	2.0	480	5	22	48	70	98
TLV5F6N20M2Y	2.5	240	5	24	48	72	99
TLV5F6N20M4Y	2.5	480	5	24	48	72	99
TLV5F6N25M2Y	3.0	240	5	29	48	77	101
TLV5F6N25M4Y	3.0	480	5	29	48	77	101
TLV5F6N33M2Y	4.0	240	5	37	48	85	104
TLV5F6N33M4Y	4.0	480	5	37	48	85	104
TLV5F6N40M2Y	5.0	240	5	44	48	92	106
TLV5F6N40M4Y	5.0	480	5	44	48	92	106
TLV5F6N48M2Y	6.0	240	5	52	48	100	109
TLV5F6N48M4Y	6.0	480	5	52	48	100	109
TLV5F6N52M2Y	6.6	240	5	56	48	104	111
TLV5F6N52M4Y	6.6	480	5	56	48	104	111
TLV5F6N64M2Y	8.3	240	5	68	48	116	116
TLV5F6N64M4Y	8.3	480	5	68	48	116	116
TLV5F6N77M2Y	10.0	240	5	81	48	129	120
TLV5F6N77M4Y	10.0	480	5	81	48	129	120
TLV5F6N88M4Y	11.2	480	5	92	48	140	124
TLV5F6N106M4Y	12.6	480	5	110	48	158	130
TLV5F6N120M4Y	15.6	480	5	124	48	172	135
TLV5F6N140M4Y	17.5	480	5	144	48	192	142
TLV5F6N160M4Y	20.0	480	5	164	48	212	150
TLV5F9N18M2Y	3.0	240	5	22	48	70	101
TLV5F9N18M4Y	3.0	480	5	22	48	70	102
TLV5F9N20M2Y	3.8	240	5	24	48	72	103
TLV5F9N20M4Y	3.8	480	5	24	48	72	103
TLV5F9N25M2Y	4.5	240	5	29	48	77	106
TLV5F9N25M4Y	4.5	480	5	29	48	77	106
TLV5F9N33M2Y	6.0	240	5	37	48	85	110
TLV5F9N33M4Y	6.0	480	5	37	48	85	110
TLV5F9N40M2Y	7.5	240	5	44	48	92	114
TLV5F9N40M4Y	7.5	480	5	44	48	92	114

Over-the-Side Type TLV

WattDensity: 8

Catalog Number	kW	Voltage	Bundle Diam.(In.)	Heater Length (In.)	Std. Riser Length (In.)	Overall Length (In.)	Weight (lbs.)
TLV5F9N48M2Y	9.0	240	5	52	48	100	118
TLV5F9N48M4Y	9.0	480	5	52	48	100	118
TLV5F9N52M2Y	10.0	240	5	56	48	104	120
TLV5F9N52M4Y	10.0	480	5	56	48	104	120
TLV5F9N64M2Y	12.5	240	5	68	48	116	128
TLV5F9N64M4Y	12.5	480	5	68	48	116	128
TLV5F9N77M2Y	15.0	240	5	81	48	129	134
TLV5F9N77M4Y	15.0	480	5	81	48	129	134
TLV5F9N88M4Y	16.8	480	5	92	48	140	140
TLV5F9N106M4Y	18.9	480	5	110	48	158	150
TLV5F9N120M4Y	23.4	480	5	124	48	172	157
TLV5F9N140M4Y	26.0	480	5	144	48	192	168
TLV5F9N160M4Y	30.0	480	5	164	48	212	178
TLV6F12N18M2Y	4.0	240	6	22	60	82	136
TLV6F12N18M4Y	4.0	480	6	22	60	82	137
TLV6F12N20M2Y	5.0	240	6	24	60	84	138
TLV6F12N20M4Y	5.0	480	6	24	60	84	138
TLV6F12N25M2Y	6.0	240	6	29	60	89	142
TLV6F12N25M4Y	6.0	480	6	29	60	89	142
TLV6F12N33M2Y	8.0	240	6	37	60	97	148
TLV6F12N33M4Y	8.0	480	6	37	60	97	148
TLV6F12N40M2Y	10.0	240	6	44	60	104	153
TLV6F12N40M4Y	10.0	480	6	44	60	104	153
TLV6F12N48M2Y	12.0	240	6	52	60	112	159
TLV6F12N48M4Y	12.0	480	6	52	60	112	159
TLV6F12N52M2Y	13.3	240	6	56	60	116	161
TLV6F12N52M4Y	13.3	480	6	56	60	116	161
TLV6F12N64M2Y	16.7	240	6	68	60	128	172
TLV6F12N64M4Y	16.7	480	6	68	60	128	172
TLV6F12N77M2Y	20.0	240	6	81	60	141	179
TLV6F12N77M4Y	20.0	480	6	81	60	141	179
TLV6F12N88M4Y	22.4	480	6	92	60	152	187
TLV6F12N106M4Y	25.2	480	6	110	60	170	201
TLV6F12N120M4Y	31.2	480	6	124	60	184	210
TLV6F12N140M4Y	35.0	480	6	144	60	204	225
TLV6F12N160M4Y	40.0	480	6	164	60	224	239
TLV6F15N18M2Y	5.0	240	6	22	60	82	139
TLV6F15N18M4Y	5.0	480	6	22	60	82	140
TLV6F15N20M2Y	6.3	240	6	24	60	84	142
TLV6F15N20M4Y	6.3	480	6	24	60	84	142
TLV6F15N25M2Y	7.5	240	6	29	60	89	147
TLV6F15N25M4Y	7.5	480	6	29	60	89	147
TLV6F15N33M2Y	10.0	240	6	37	60	97	154
TLV6F15N33M4Y	10.0	480	6	37	60	97	154
TLV6F15N40M2Y	12.5	240	6	44	60	104	160
TLV6F15N40M4Y	12.5	480	6	44	60	104	160
TLV6F15N48M2Y	15.0	240	6	52	60	112	167
TLV6F15N48M4Y	15.0	480	6	52	60	112	167
TLV6F15N64M2Y	20.8	240	6	68	60	128	184

Over-the-Side Type TLV

WattDensity: 8

Catalog Number	kW	Voltage	Bundle Diam.(In.)	Heater Length (In.)	Std. Riser Length (In.)	Overall Length (In.)	Weight (lbs.)
TLV6F15N64M4Y	20.8	480	6	68	60	128	184
TLV6F15N77M2Y	25.0	240	6	81	60	141	193
TLV6F15N77M4Y	25.0	480	6	81	60	141	193
TLV6F15N88M4Y	28.0	480	6	92	60	152	203
TLV6F15N106M4Y	31.5	480	6	110	60	170	220
TLV6F15N120M4Y	39.0	480	6	124	60	184	232
TLV6F15N140M4Y	44.0	480	6	144	60	204	250
TLV6F15N160M4Y	50.5	480	6	164	60	224	268
TLV8F18N52M4Y	20.0	480	8	57	72	129	267
TLV8F18N64M4Y	25.5	480	8	69	72	141	283
TLV8F18N77M4Y	30.0	480	8	82	72	154	294
TLV8F18N88M4Y	33.6	480	8	93	72	165	306
TLV8F18N106M4Y	37.8	480	8	111	72	183	326
TLV8F18N120M4Y	46.8	480	8	125	72	197	341
TLV8F18N140M4Y	52.4	480	8	145	72	217	362
TLV8F18N160M4Y	60.5	480	8	165	72	237	384
TLV8F24N52M4Y	26.6	480	8	57	72	129	286
TLV8F24N64M4Y	34.0	480	8	69	72	141	307
TLV8F24N77M4Y	40.0	480	8	82	72	154	322
TLV8F24N88M4Y	44.8	480	8	93	72	165	338
TLV8F24N106M4Y	50.0	480	8	111	72	183	365
TLV8F24N120M4Y	61.9	480	8	125	72	197	384
TLV8F24N140M4Y	69.8	480	8	145	72	217	413
TLV8F24N160M4Y	80.5	480	8	165	72	237	441

WattDensity: 6

Catalog Number	kW	Voltage	Bundle Diam.(In.)	Heater Length (In.)	Std. Riser Length (In.)	Overall Length (In.)	Weight (lbs.)
TLV4F6N18M2S	1.5	240	4	22	48	70	83
TLV4F6N18M4S	1.5	480	4	22	48	70	83
TLV4F6N20M2S	1.9	240	4	24	48	72	84
TLV4F6N20M4S	1.9	480	4	24	48	72	84
TLV4F6N25M2S	2.2	240	4	29	48	77	86
TLV4F6N25M4S	2.2	480	4	29	48	77	86
TLV4F6N33M2S	3.0	240	4	37	48	85	89
TLV4F6N33M4S	3.0	480	4	37	48	85	89
TLV4F6N40M2S	3.7	240	4	44	48	92	91
TLV4F6N40M4S	3.7	480	4	44	48	92	91
TLV4F6N48M2S	4.5	240	4	52	48	100	94
TLV4F6N48M4S	4.5	480	4	52	48	100	94
TLV4F6N52M2S	5.0	240	4	56	48	104	96
TLV4F6N52M4S	5.0	480	4	56	48	104	96
TLV4F6N64M2S	6.2	240	4	68	48	116	101
TLV4F6N64M4S	6.2	480	4	68	48	116	101
TLV4F6N77M2S	7.5	240	4	81	48	129	105
TLV4F6N77M4S	7.5	480	4	81	48	129	105
TLV4F6N88M4S	8.4	480	4	92	48	140	109
TLV4F6N106M4S	9.4	480	4	110	48	158	115
TLV4F6N120M4S	11.6	480	4	124	48	172	120

Over-the-Side Type TLV

WattDensity: 6

Catalog Number	kW	Voltage	Bundle Diam.(In.)	Heater Length (In.)	Std. Riser Length (In.)	Overall Length (In.)	Weight (lbs.)
TLV4F6N140M4D	13.1	240	4	144	48	192	127
TLV4F6N140M4S	13.1	480	4	144	48	192	127
TLV4F6N160M4D	15.0	240	4	164	48	212	135
TLV4F6N160M4S	15.0	480	4	164	48	212	135
TLV5F6N18M2S	1.5	240	5	22	48	70	98
TLV5F6N18M4S	1.5	480	5	22	48	70	98
TLV5F6N20M2S	1.9	240	5	24	48	72	99
TLV5F6N20M4S	1.9	480	5	24	48	72	99
TLV5F6N25M2S	2.2	240	5	29	48	77	101
TLV5F6N25M4S	2.2	480	5	29	48	77	101
TLV5F6N33M2S	3.0	240	5	37	48	85	104
TLV5F6N33M4S	3.0	480	5	37	48	85	104
TLV5F6N40M2S	3.7	240	5	44	48	92	106
TLV5F6N40M4S	3.7	480	5	44	48	92	106
TLV5F6N48M2S	4.5	240	5	52	48	100	109
TLV5F6N48M4S	4.5	480	5	52	48	100	109
TLV5F6N52M2S	5.0	240	5	56	48	104	111
TLV5F6N52M4S	5.0	480	5	56	48	104	111
TLV5F6N64M2S	6.2	240	5	68	48	116	116
TLV5F6N64M4S	6.2	480	5	68	48	116	116
TLV5F6N77M2S	7.5	240	5	81	48	129	120
TLV5F6N77M4S	7.5	480	5	81	48	129	120
TLV5F6N88M4S	8.4	480	5	92	48	140	124
TLV5F6N106M4S	9.4	480	5	110	48	158	130
TLV5F6N120M4S	11.6	480	5	124	48	172	135
TLV5F6N140M4D	13.1	240	5	144	48	192	142
TLV5F6N140M4S	13.1	480	5	144	48	192	142
TLV5F6N160M4D	15.0	240	5	164	48	212	150
TLV5F6N160M4S	15.0	480	5	164	48	212	150
TLV6F12N18M2S	3.0	240	6	22	60	82	136
TLV6F12N18M4S	3.0	480	6	22	60	82	137
TLV6F12N20M2S	3.7	240	6	24	60	84	138
TLV6F12N20M4S	3.7	480	6	24	60	84	138
TLV6F12N25M2S	4.5	240	6	29	60	89	142
TLV6F12N25M4S	4.5	480	6	29	60	89	142
TLV6F12N33M2S	6.0	240	6	37	60	97	148
TLV6F12N33M4S	6.0	480	6	37	60	97	148
TLV6F12N40M2S	7.5	240	6	44	60	104	153
TLV6F12N40M4S	7.5	480	6	44	60	104	153
TLV6F12N48M2S	9.0	240	6	52	60	112	159
TLV6F12N48M4S	9.0	480	6	52	60	112	159
TLV6F12N52M2S	10.0	240	6	56	60	116	161
TLV6F12N52M4S	10.0	480	6	56	60	116	161
TLV6F12N64M2S	12.5	240	6	68	60	128	172
TLV6F12N64M4S	12.5	480	6	68	60	128	172
TLV6F12N77M2S	15.0	240	6	81	60	141	179
TLV6F12N77M4S	15.0	480	6	81	60	141	179
TLV6F12N88M4S	16.8	480	6	92	60	152	187
TLV6F12N106M4S	18.9	480	6	110	60	170	201

Over-the-Side Type TLV

WattDensity: 6

Catalog Number	kW	Voltage	Bundle Diam.(In.)	Heater Length (In.)	Std. Riser Length (In.)	Overall Length (In.)	Weight (lbs.)
TLV6F12N120M4S	23.4	480	6	124	60	184	210
TLV6F12N140M4D	26.0	240	6	144	60	204	225
TLV6F12N140M4S	26.0	480	6	144	60	204	225
TLV6F12N160M4D	30.0	240	6	164	60	224	239
TLV6F12N160M4S	30.0	480	6	164	60	224	239
TLV8F18N33M2S	9.0	240	8	38	72	110	247
TLV8F18N33M4S	9.0	480	8	38	72	110	247
TLV8F18N40M2S	11.2	240	8	45	72	117	254
TLV8F18N40M4S	11.2	480	8	45	72	117	254
TLV8F18N48M2S	13.5	240	8	53	72	125	263
TLV8F18N48M4S	13.5	480	8	53	72	125	263
TLV8F18N52M2S	15.0	240	8	57	72	129	267
TLV8F18N52M4S	15.0	480	8	57	72	129	267
TLV8F18N64M2S	19.1	240	8	69	72	141	283
TLV8F18N64M4S	19.1	480	8	69	72	141	283
TLV8F18N77M2S	22.5	240	8	82	72	154	294
TLV8F18N77M4S	22.5	480	8	82	72	154	294
TLV8F18N88M4S	25.2	480	8	93	72	165	306
TLV8F18N106M4S	28.3	480	8	111	72	183	326
TLV8F18N120M4S	35.0	480	8	125	72	197	341
TLV8F18N140M4D	39.3	240	8	145	72	217	362
TLV8F18N140M4S	39.3	480	8	145	72	217	362
TLV8F18N160M4S	45.0	480	8	165	72	237	384
TLV8F18N160M4D	45.5	240	8	165	72	237	384
TLV8F24N33M2S	12.0	240	8	38	72	110	259
TLV8F24N33M4S	12.0	480	8	38	72	110	259
TLV8F24N40M2S	15.0	240	8	45	72	117	269
TLV8F24N40M4S	15.0	480	8	45	72	117	269
TLV8F24N48M2S	18.0	240	8	53	72	125	280
TLV8F24N48M4S	18.0	480	8	53	72	125	280
TLV8F24N52M2S	20.0	240	8	57	72	129	286
TLV8F24N52M4S	20.0	480	8	57	72	129	286
TLV8F24N64M2S	25.5	240	8	69	72	141	307
TLV8F24N64M4S	25.5	480	8	69	72	141	307
TLV8F24N77M2S	30.0	240	8	82	72	154	322
TLV8F24N77M4S	30.0	480	8	82	72	154	322
TLV8F24N88M4S	33.6	480	8	93	72	165	338
TLV8F24N106M4S	37.8	480	8	111	72	183	365
TLV8F24N120M4S	46.8	480	8	125	72	197	384
TLV8F24N140M4D	52.5	240	8	145	72	217	413
TLV8F24N140M4S	52.5	480	8	145	72	217	413
TLV8F24N160M4D	60.5	240	8	165	72	237	441
TLV8F24N160M4S	60.5	480	8	165	72	237	441

Over-The-Side Heater

Type L (LC)

APPLICATIONS

60 and 45 Watts Per Square Inch

For industrial water heating and many other aqueous solutions which are generally "clear" and also compatible with both steel and Incoloy.

23 and 20 Watts Per Square Inch

For circulated heat transfer fluids, vegetable oils, cleaning solutions, degreasing fluids, many soap solutions which are generally "opaque" and also compatible with both steel and Incoloy.

STANDARD FEATURES

Heating Elements

- Incoloy 800 Sheath Material
- Heavy Wall (.035 in.)
- Large diameter (.475 in.)
- Sealed Terminals

Spacers

- High Temp Alloy Material
- Rugged Design
- "Evenflow" Configuration

Construction

- Welded Heating Elements
- Welded Terminal Housing
- Welded Spacers

Riser

- Schedule 40 Pipe (Length as Required)
- Welded Terminal Housing
- Sealed and Welded Junction Box

Service

- May Be Removed For Cleaning
- Assembly Repairable at Factory
- Wiring Is Modifiable in Field



SPECIAL FEATURES

- A() Integrally mounted thermostat mechanical type with bulb and capillary thermostat. Temperature range is 50° F to 250° F. Other temperature ranges available include 0° F to 100° F and also 150° F to 550° F.
- Legs Taller than standard sludge legs as is demanded by the application.
- J(K) Integrally mounted sheath sensing thermocouple with Inconel 600 Sheath and ungrounded junction.
- R() Riser height other than standard. Designs are on file with riser heights from 11 inches to 250 inches.

Over-The-Side Heater

Type L (LC)

Watt Density: 45

ItemID	CatNمبر:	kW	Volts	Phase	Riser Height	Min.Tank Opening	Weight (lbs.)
3743	L3N13H2-36	4.5	240	1,3	36	18	29
3759	LC3N13H2-36	4.5	240	1,3	36	12	29
3744	L3N13H4-36	4.5	480	1,3	36	18	29
3760	LC3N13H4-36	4.5	480	1,3	36	12	29
3761	LC3N17H2-36	6	240	1,3	36	14	30
3745	L3N17H2-36	6	240	1,3	36	22	30
3746	L3N17H4-36	6	480	1,3	36	22	30
3762	LC3N17H4-36	6	480	1,3	36	14	30
3747	L3N20H2-36	7.5	240	3	36	25	31
3763	LC3N20H2-36	7.5	240	3	36	15	31
3748	L3N20H4-36	7.5	480	3	36	25	31
3764	LC3N20H4-36	7.5	480	3	36	15	31
3749	L3N25H2-36	9	240	3	36	30	32
3765	LC3N25H2-36	9	240	3	36	16	32
3766	LC3N25H4-36	9	480	3	36	16	32
3750	L3N25H4-36	9	480	3	36	30	32
3767	LC3N33H2-48	12	240	3	48	19	33
3751	L3N32H2-48	12	240	3	48	37	32
3768	LC3N32H4-48	12	480	3	48	19	33
3752	L3N32H4-48	12	480	3	48	37	33
3769	LC3N40H2-48	15	240	3	48	21	35
3753	L3N40H2-48	15	240	3	48	45	35
3770	LC3N40H4-48	15	480	3	48	21	35
3754	L3N40H4-48	15	480	3	48	45	35
3771	LC3N47H2-48	18	240	3	48	24	37
3755	L3N47H2-48	18	240	3	48	52	37
3756	L3N47H4-48	18	480	3	48	52	37
3772	LC3N47H4-48	18	480	3	48	24	37
3773	LC3N61H4-48	25	480	3	48	30	42
3757	L3N61H4-48	25	480	3	48	66	42
3774	LC3N78H4-48	33.3	480	3	48	35	50
3758	L3N78H4-48	33.3	480	3	48	83	50

Watt Density: 23

ItemID	CatNمبر:	kW	Volts	Phase	Riser Height	Min.Tank Opening	Weight (lbs.)
3775	L3N13M1-36	2.2	120	1,3	36	18	29
3794	LC3N13M1-36	2.2	120	1,3	36	12	29
3776	L3N13M2-36	2.2	240	1,3	36	18	29
3795	LC3N13M2-36	2.2	240	1,3	36	12	29
3796	LC3N13M4-36	2.2	480	1,3	36	12	29
3777	L3N13M4-36	2.2	480	1,3	36	18	29
3778	L3N17M2-36	3	240	1,3	36	22	30
3797	LC3N17M2-36	3	240	1,3	36	14	30
3798	LC3N17M4-36	3	480	1,3	36	14	30
3779	L3N17M4-36	3	480	1,3	36	22	30
3799	LC3N20M2-36	3.7	240	1,3	36	15	31
3780	L3N20M2-36	3.7	240	1,3	36	25	31

Over-The-Side Heater

Type L (LC)

Watt Density: 23

ItemID	CatNmbr:	kW	Volts	Phase	Riser Height	Min.Tank Opening	Weight (lbs.
3800	LC3N20M4-36	3.7	480	1,3	36	15	31
3781	L3N20M4-36	3.7	480	1,3	36	25	31
3801	LC3N25M2-36	4.5	240	1,3	36	16	32
3782	L3N25M2-36	4.5	240	1,3	36	30	32
3802	LC3N25M4-36	4.5	480	1,3	36	16	32
3783	L3N25M4-36	4.5	480	1,3	36	30	32
3803	LC3N32M2-48	6	240	1,3	48	19	33
3784	L3N32M2-48	6	240	1,3	48	37	33
3804	LC3N32M4-48	6	480	1,3	48	19	33
3785	L3N32M4-48	6	480	1,3	48	37	33
3805	LC3N40M2-48	7.5	240	3	48	21	35
3786	L3N40M2-48	7.5	240	3	48	45	35
3787	L3N40M4-48	7.5	480	3	48	45	35
3806	LC3N40M4-48	7.5	480	3	48	21	35
3788	L3N47M2-48	9	240	3	48	52	37
3807	LC3N47M2-48	9	240	3	48	24	37
3789	L3N47M4-48	9	480	3	48	52	37
3808	LC3N47M4-48	9	480	3	48	24	37
3790	L3N64M2-48	12.5	240	3	48	69	44
3809	LC3N64M2-48	12.5	240	3	48	31	44
3791	L3N64M4-48	12.5	480	3	48	69	44
3810	LC3N64M4-48	12.5	480	3	48	31	44
3792	L3N76M2-48	15	240	3	48	81	50
3811	LC3N76M2-48	15	240	3	48	35	50
3812	LC3N76M4-48	15	480	3	48	35	50
3793	L3N76M4-48	15	480	3	48	81	50

Over-the-Side Heater Type OTS-O

APPLICATIONS

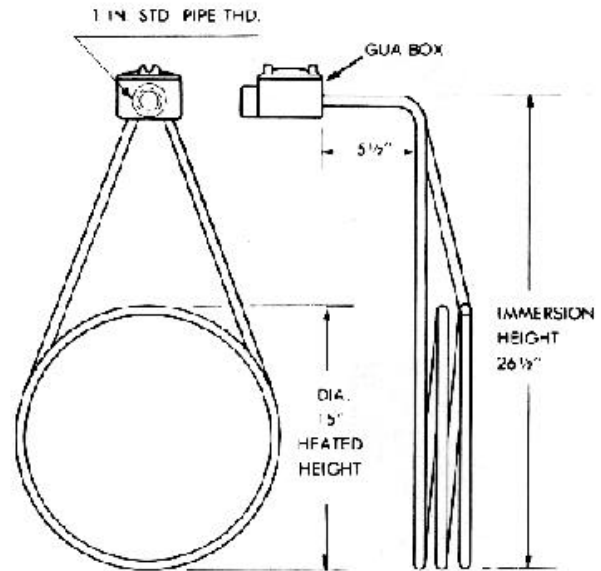
Suitable for open top tanks where it is desirable to be able to remove the heater for inspecting, cleaning, draining, or other tank maintenance. Available with a moisture resistant housing, this unit is quite flexible in mounting. Standard with Incoloy 800 sheath material, this heater may be used to heat many different types of fluids.

STANDARD FEATURES

The standard unit includes no thermostat and is available only in single phase. The Incoloy 800 sheath material is suitable for most types of fluids and the heater mounts near the sidewall taking up very little tank space.

OPTIONS

Several alternative designs are available, the most popular being a horizontal coil in lieu of the standard upright design. A thermostat may be included as well as a power cord with suitable moisture tight armour.



Catalog Number	Watt Density	KW	Voltage	Phase	Heated Height	Immersion Height	Weight (lbs.)
OTS-O-752	38	7.5	240	1	26.5	15.5	24
OTS-O-754	38	7.5	480	1	26.5	15.5	24
OTS-O-502	25	5	240	1	26.5	15.5	24
OTS-O-504	25	5	480	1	26.5	15.5	24
OTS-O-181	10	1.875	120	1	26.5	15.5	24
OTS-O-182	10	1.875	240	1	26.5	15.5	24
OTS-O-232	6	1.25	120	1	26.5	15.5	24
OTS-O-233	6	1.25	240	1	26.5	15.5	24

Over-the-Side Heater

Type DR - Bung Hole

APPLICATIONS

Suitable for 55 gallon drums where it is desirable to be able to remove the heater for inspection or inserting into another drum. Standard with Incoloy 800 sheath material, heater may be used to heat many different types of fluids.

STANDARD FEATURES

The standard unit includes an industrial thermostat with 50° - 250° F temperature range. The Incoloy 800 sheath material is suitable for most types of fluids .

OPTIONS

A moisture tight enclosure with tamperproof thermostat is a popular option as well as a thermal cutout with a manual reset.



Gaumer Catalog Number	kW	Volts	Riser Height (inches)	Immersed Length (inches)	Weight (lbs.)
OTS-DRA2	4.000	240	36-1/2	19	11.0
OTS-DRA1	1.000	120	36-1/2	19	11.0

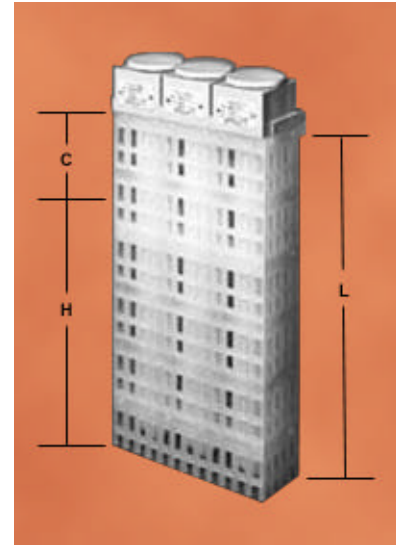
Over-the-Side Quartz Heater Type Q (3Q)

APPLICATIONS

For heating most acids (except hydrofluoric acid) in open top tanks. This heater is very popular in the plating industry.

STANDARD FEATURES

Available in two different watt-densities and single as well as three phase operation this heater is quite easy to mount and to maintain. The assembly includes a quartz tube (3 tubes for three phase) with heating elements suspended in the airspace inside of the quartz tube. The quartz tubes are protected by a guard that completely wraps the heater assembly.



Catalog Number	KW	Volts	"H" Hot Zone (in.)	"C" cold Zone (in.)	"L" Length (in.)	Weight (lbs.)
3Q-3207	3	240	7	4	11	14
3Q-3407	3	480	7	4	11	14
3Q-6212	6	240	12	5	17	21
3Q-6412	6	480	12	5	17	21
3Q-9218	9	240	18	5	23	28
3Q-9221	9	240	21	8	29	35
3Q-9421	9	480	21	8	29	35
3Q-9418	9	480	18	5	23	28
3Q-12228	12	240	28	7	35	42
3Q-12428	12	480	25	7	35	42
3Q-15233	15	240	33	8	41	54
3Q-15433	15	480	33	8	41	54
3Q-18239	18	240	39	8	47	62
3Q-18439	18	480	39	8	47	62
3Q-20242	20	240	49	10	54	67
3Q-20442	20	480	49	10	54	67
3Q-30262	30	240	62	9	71	73
3Q-30462	30	480	62	9	71	73

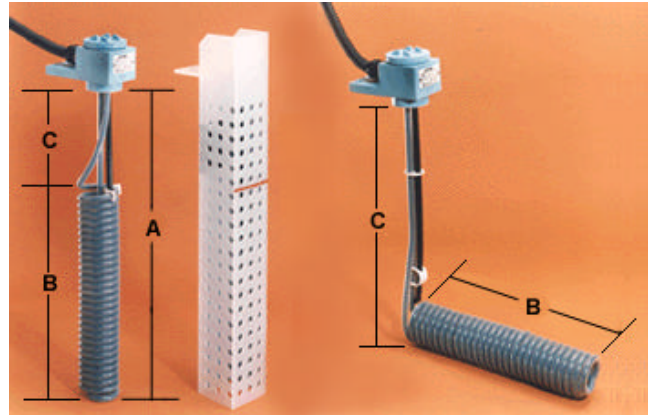
Over-the-Side Teflon Heater Type TF (TFL)

APPLICATIONS

Specifically developed for heating acids this heater serves the plating industry. The vertical over-the-side design is suitable for mounting against the back of open top tanks leaving maximum room in the tank for the dipping of parts.

STANDARD FEATURES

This assembly consists of a nickel-chromium wire encased in Teflon tubing. The Teflon tubing is wrapped in a circular fashion to make the assembly as compact as possible.



Over-the-Side Teflon Heater Type TF (TFL)

Catalog Number	kW	Volts	"A" Lgth (in.)	"B" Heat Zone (in.)	"C" Cold Zone (in.)	Weight (lbs.)
TF-1114	1	120	14	9	5	8
TF-1214	1	240	14	9	5	8
TF-2221	2	240	21	14	7	9
TF-2421	2	480	21	14	7	9
TF-3227	3	240	27	20	7	14
TF-3427	3	480	27	20	7	14
TF-4235	4	240	35	26	9	16
TF-4435	4	480	35	26	9	16
TF-5241	5	240	41	32	9	20
TF-5441	5	480	41	32	9	20
TF-6247	6	240	47	38	9	23
TF-6447	6	480	47	38	9	23

Over-the-Side Teflon Heater

Type TF (TFL)

Catalog Number	kW	Volts	"A" Lgth (in.)	"B" Heat Zone (in.)	"C" Cold Zone (in.)	Weight (lbs.)
TFL-1108	1	120		8	6	10
TFL-1208	1	240		8	6	8
TFL-2214	2	240		14	6	11
TFL-2414	2	480		14	6	11
TFL-3220	3	240		20	6	15
TFL-3420	3	480		20	6	15
TFL-4226	4	240		26	12	18
TFL-4426	4	480		26	12	18
TFL-5232	5	240		32	12	20
TFL-5432	5	480		32	12	20
TFL-6238	6	240		38	12	24
TFL-6438	6	480		38	12	24
TFL-7247	7	240		47	18	28
TFL-7447	7	480		47	18	28

Process Air Heaters

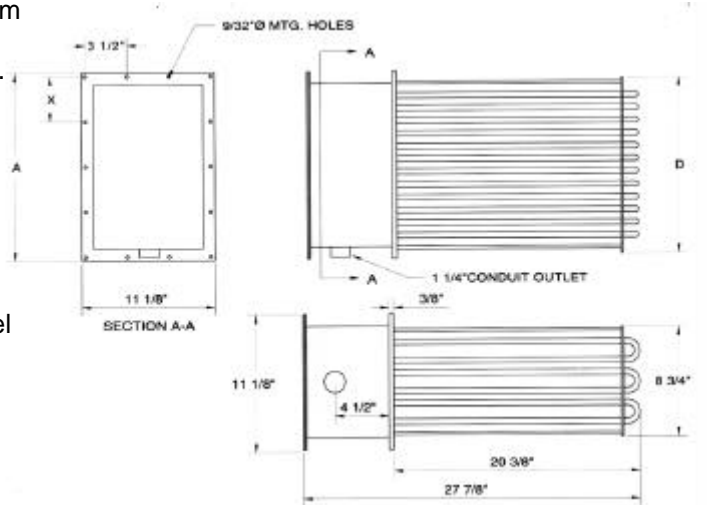
Type IDH - 20 Watts/sq.in.

APPLICATIONS

Type IDH process air heaters are for use where high temperature air is required. A minimum of 300 fpm must be maintained and the maximum outlet temperature should be limited to 800° F without reducing the watt-density of the heater.

STANDARD FEATURES

Incoloy sheathed tubular heaters rated 20 watts/sq. in., .475 inch diameter, stainless steel frame, potted terminals, and a moisture resistant terminal housing. One type K (ungrounded) thermocouple is integrally mounted into terminal enclosure and clamped to the sheath of one element. Thermocouple leads must be field connected to a "high limit control" which is not included in this heater but is available as a separate item.



Length: 20.375

Dimension T: 8.75

Gaumer Catalog Number	kW	Volts	Qty Circuits	Qty Heaters	(A) Flange Length	(D) Bundle Length	(X) Flange Holes C/L	Qty Holes	Weight (lbs.)
IDH-6-2	6	240	1	6	5-5/8	3-5/8	2-1/2	10	29
IDH-6	6	480	1	6	5-5/8	3-5/8	2-1/2	10	29
IDH-12-2	12	240	1	12	7-5/8	5-5/8	3-1/2	10	36
IDH-12	12	480	1	12	7-5/8	5-5/8	3-1/2	10	36
IDH-18-2	18	240	1	18	9-5/8	7-5/8	3	12	44
IDH-18	18	480	1	18	9-5/8	7-5/8	3	12	44
IDH-24-2	24	240	2	24	11-5/8	9-5/8	2-3/4	14	52
IDH-24	24	480	1	24	11-5/8	9-5/8	2-3/4	14	52
IDH-30-2	30	240	2	30	13-5/8	11-5/8	3-1/4	14	61
IDH-30	30	480	1	30	13-5/8	11-5/8	3-1/4	14	61
IDH-36-2	36	240	2	36	15-5/8	13-5/8	3-3/4	14	70
IDH-36	36	480	1	36	15-5/8	13-5/8	3-3/4	14	70
IDH-42-2	42	240	4	42	17-5/8	15-5/8	4-1/4	14	79
IDH-42	42	480	2	42	17-5/8	15-5/8	4-1/4	14	79

Process Air Heaters

Type IDH - 20 Watts/sq.in.

Length: 20.375

Dimension T: 8.75

Gaumer Catalog Number	kW	Volts	Qty Circuits	Qty Heaters	(A) Flange Length	(D) Bundle Length	(X) Flange Holes C/L	Qty Holes	Weight (lbs.)
IDH-48-2	48	240	4	48	19-5/8	17-5/8	4-3/4	14	88
IDH-48	48	480	2	48	19-5/8	17-5/8	4-3/4	14	88
IDH-54-2	54	240	4	54	21-5/8	19-5/8	5-1/4	14	97
IDH-54	54	480	2	54	21-5/8	19-5/8	5-1/4	14	97
IDH-60-2	60	240	4	60	23-5/8	21-5/8	5-3/4	14	106
IDH-60	60	480	2	60	23-5/8	21-5/8	5-3/4	14	106
IDH-72	72	480	2	72	25-5/8	23-5/8	5	16	130
IDH-84	84	480	4	84	27-5/8	25-5/8	4-1/2	18	140
IDH-96	96	480	4	96	29-5/8	27-5/8	4-13/16	18	155
IDH-108	108	480	4	108	31-5/8	29-5/8	5-3/16	18	170
IDH-120	120	480	4	120	33-5/8	31-5/8	5-1/2	18	190

Dimension T: 17.75

Gaumer Catalog Number	kW	Volts	Qty Circuits	Qty Heaters	(A) Flange Length	(D) Bundle Length	(X) Flange Holes C/L	Qty Holes	Weight (lbs.)
IDHD-72	72	480	2	72	15-5/8	13-5/8	3-3/4	16	130
IDHD-84	84	480	4	84	17-5/8	15-5/8	4-1/4	16	140
IDHD-96	96	480	4	96	19-5/8	17-5/8	4-3/4	16	155
IDHD-108	108	480	4	108	21-5/8	19-5/8	5-1/4	16	170
IDHD-120	120	480	4	120	23-5/8	21-5/8	5-3/4	16	190

Length: 38

Dimension T: 8.75

Gaumer Catalog Number	kW	Volts	Qty Circuits	Qty Heaters	(A) Flange Length	(D) Bundle Length	(X) Flange Holes C/L	Qty Holes	Weight (lbs.)
IDH-144	144	480	4	72	35-5/8	33-5/8	5	20	220
IDH-168	168	480	6	84	37-5/8	25-5/8	5-9/32	20	168
IDH-192	192	480	6	96	39-5/8	37-5/8	5-9/16	20	192
IDH-216	216	480	6	108	41-5/8	39-5/8	5-27/32	20	216
IDH-240	240	480	6	120	43-5/8	41-5/8	5-3/8	22	216

Dimension T: 17.75

Gaumer Catalog Number	kW	Volts	Qty Circuits	Qty Heaters	(A) Flange Length	(D) Bundle Length	(X) Flange Holes C/L	Qty Holes	Weight (lbs.)
IDHD-144	144	480	4	72	15-5/8	13-5/8	3-3/4	16	220
IDHD-168	168	480	6	84	17-5/8	15-5/8	4-1/4	16	240
IDHD-192	192	480	6	96	19-5/8	17-5/8	4-3/4	16	265
IDHD-216	216	480	6	108	21-5/8	19-5/8	5-1/4	16	290
IDHD-240	240	480	6	120	23-5/8	21-5/8	5-3/4	16	330
IDHD-288	288	480	8	144	27-5/8	25-5/8	4-1/2	20	360
IDHD-336	336	480	12	168	31-5/8	29-5/8	3-7/8	24	390
IDHD-384	384	480	12	192	35-5/8	33-5/8	4-3/8	24	420
IDHD-432	432	480	12	216	39-5/8	37-5/8	4-7/8	24	450
IDHD-480	480	480	12	240	43-5/8	41-5/8	5-3/8	24	480

GAUMER PROCESS

HEATERS
SYSTEMS
CONTROLS

Hi-Temp Duct - Type D

1", 2", 3", 4" Diameter

APPLICATIONS

The Gaumer Electric Process Duct Heater is designed for rugged duty where air must be heated through a large temperature rise to a maximum temperature of 1000° F. Contact Gaumer for selection of proper unit for the design conditions.

STANDARD FEATURES

Heating Elements

- Incoloy 800 Sheath Material
- Heavy Wall (.035 in.)
- Large Diameter (.475 in.)
- Sealed Terminals

Standard Features

- High Temp Alloy Spacers
- Gaumer "Evenflow" Configuration
- Type K TC for Overheat Protection
- Stainless Steel Ducted Chamber
- Sleeved Duct Connections
- Calcium Silicate Insulation
- Aluminum Outer Jacket

Construction

- Welded Heating Elements
- Welded Spacers
- Welded Duct Assembly
- Welded Offset Terminal Housing

Installation

- Flying Leadwires Provided
- Only Standard Materials Needed in Field

Service

- Wiring Modifiable in Field
- Assembly Repairable at Factory



SPECIAL FEATURES

- W Wattage Other Than Cataloged
- V Voltage Other Than Cataloged
- SShrd Stainless Steel Shroud Over Insulation
- ER Explosion Resistant Construction
- LT Weatherproof Construction
- J(K) Additional Sheath Sensing Thermocouple for Overheat Protection
- SpHtr Space Heater Mounted in Terminal Enclosure
- XX Special Feature not Listed Above

Hi-Temp Duct Heaters

Type D

WattDensity: 23

Catalog Number	Duct Diameter	Qty of Elements	Length	kW	Volts	Weight
D1P1N7T1S	1.0	1	7	0.2	120	9
D1P1N8T1S	1.0	1	8	0.3	120	9
D1P1N8T2S	1.0	1	8	0.3	240	9
D1P1N9T1S	1.0	1	9	0.3	120	9
D1P1N9T21	1.0	1	9	0.3	240	9
D1P1N11T1S	1.0	1	11	0.4	120	9
D1P1N11T2S	1.0	1	11	0.4	240	9
D1P1N13T1S	1.0	1	13	0.5	120	11
D1P1N13T2S	1.0	1	13	0.5	240	11
D1P1N18T1S	1.0	1	18	0.6	120	11
D1P1N18T2S	1.0	1	18	0.6	240	11
D1P1N21T1S	1.0	1	21	0.8	120	11
D1P1N21T2S	1.0	1	21	0.8	240	11
D15P2N7T1S	1.5	2	7	0.4	120	8
D15P2N7T2S	1.5	2	7	0.4	240	8
D15P2N8T1S	1.5	2	8	0.5	120	9
D15P2N8T2S	1.5	2	8	0.5	240	9
D15P2N9T1S	1.5	2	9	0.6	120	10
D15P2N9T2S	1.5	2	9	0.6	240	10
D15P2N11T13	1.5	2	11	0.8	120	14
D15P2N11T2S	1.5	2	11	0.8	240	14
D15P2N13T1S	1.5	2	13	1.0	120	15
D15P2N13T2S	1.5	2	13	1.0	240	15
D15P2N18T1S	1.5	2	18	1.3	120	15
D15P2N18T2S	1.5	2	18	1.3	240	15
D15P2N21T1S	1.5	2	21	1.5	120	16
D15P2N21T2S	1.5	2	21	1.5	240	16
D15P3N7T1D	1.5	3	7	0.6	120	8
D15P3N8T1D	1.5	3	8	0.8	120	10
D15P3N8T2D	1.5	3	8	0.8	240	10
D15P3N9T1D	1.5	3	9	0.9	120	12
D15P3N9T2D	1.5	3	9	0.9	240	12
D15P3N11T1D	1.5	3	11	1.1	120	16
D15P3N11T2D	1.5	3	11	1.1	240	16
D15P3N13T1D	1.5	3	13	1.5	120	16
D15P3N13T2D	1.5	3	13	1.5	240	16
D15P3N18T1D	1.5	3	18	1.9	120	16
D15P3N18T2D	1.5	3	18	1.9	240	16
D15P3N21T1D	1.5	3	21	2.3	120	16
D15P3N21T2D	1.5	3	21	2.3	240	16
D2P2N13M1	2.0	2	12	1.5	120	17
D2P2N13M2	2.0	2	13	1.5	240	17
D2P2N13M4	2.0	2	13	1.5	480	17
D2P2N17M1	2.0	2	17	2.0	120	18
D2P2N17M2	2.0	2	17	2.0	240	18
D2P2N17M4	2.0	2	17	2.0	480	18
D2P2N20M2	2.0	2	20	2.5	240	19
D2P2N20M4	2.0	2	20	2.5	480	19
D2P2N25M2	2.0	2	25	3.0	240	20

Hi-Temp Duct Heaters

Type D

WattDensity: 23

Catalog Number	Duct Diameter	Qty of Elements	Length	kW	Volts	Weight
D2P2N25M4	2.0	2	25	3.0	480	20
D2P2N32M2	2.0	2	32	4.0	240	22
D2P2N32M4	2.0	2	32	4.0	480	22
D2P2N40M2	2.0	2	40	5.0	240	24
D2P2N40M4	2.0	2	40	5.0	480	24
D2P2N47M2	2.0	2	47	6.0	240	26
D2P2N47M4	2.0	2	47	6.0	480	26
D2P2N64M2	2.0	2	64	8.3	240	30
D2P2N64M4	2.0	2	64	8.3	480	30
D2P2N76M2	2.0	2	76	10.0	240	32
D2P2N76M4	2.0	2	76	10.0	480	32
D2P3N13M1	2.0	3	13	2.2	120	19
D2P3N13M2	2.0	3	13	2.2	240	19
D2P3N13M4	2.0	3	13	2.2	480	19
D2P3N17M2	2.0	3	17	3.0	240	20
D2P3N17M4	2.0	3	17	3.0	480	20
D2P3N20M2	2.0	3	20	3.7	240	21
D2P3N20M4	2.0	3	20	3.7	480	21
D2P3N25M2	2.0	3	25	4.5	240	23
D2P3N25M4	2.0	3	25	4.5	480	23
D2P3N32M2	2.0	3	32	6.0	240	26
D2P3N32M4	2.0	3	32	6.0	480	26
D2P3N40M2	2.0	3	40	7.5	240	28
D2P3N40M4	2.0	3	40	7.5	480	28
D2P3N47M2	2.0	3	47	9.0	240	31
D2P3N47M4	2.0	3	47	9.0	480	31
D2P3N64M2	2.0	3	64	12.5	240	38
D2P3N64M4	2.0	3	64	12.5	480	38
D2P3N76M2	2.0	3	76	15.0	240	42
D2P3N76M4	2.0	3	76	15.0	480	42
D3F3N18M2	3.0	3	18	3.0	240	36
D3F3N18M4	3.0	3	18	3.0	480	36
D3F3N20M2	3.0	3	20	3.8	240	37
D3F3N20M4	3.0	3	20	3.8	480	37
D3F3N25M2	3.0	3	25	4.5	240	39
D3F3N25M4	3.0	3	25	4.5	480	39
D3F3N33M2	3.0	3	33	6.0	240	42
D3F3N33M4	3.0	3	33	6.0	480	42
D3F3N40M2	3.0	3	40	7.5	240	44
D3F3N40M4	3.0	3	40	7.5	480	44
D3F3N48M2	3.0	3	48	9.0	240	47
D3F3N48M4	3.0	3	48	9.0	480	47
D3F3N52M2	3.0	3	52	10.0	240	49
D3F3N52M4	3.0	3	52	10.0	480	49
D3F3N64M2	3.0	3	64	12.5	240	54
D3F3N64M4	3.0	3	64	12.5	480	54
D3F3N77M2	3.0	3	77	15.0	240	58
D3F3N77M4	3.0	3	77	15.0	480	58
D3F3N88M4	3.0	3	88	17.0	480	62

Hi-Temp Duct Heaters

Type D

WattDensity: 23

Catalog Number	Duct Diameter	Qty of Elements	Length	kW	Volts	Weight
D3F3N106M4	3.0	3	106	19.0	480	68
D3F3N120M4	3.0	3	120	24.0	480	73
D4F6N18M2	4.0	6	18	6.0	240	64
D4F6N18M4	4.0	6	18	6.0	480	65
D4F6N20M2	4.0	6	20	7.5	240	66
D4F6N20M4	4.0	6	20	7.5	480	66
D4F6N25M2	4.0	6	25	9.0	240	70
D4F6N25M4	4.0	6	25	9.0	480	70
D4F6N33M2	4.0	6	33	12.0	240	76
D4F6N33M4	4.0	6	33	12.0	480	76
D4F6N40M2	4.0	6	40	15.0	240	81
D4F6N40M4	4.0	6	40	15.0	480	81
D4F6N48M2	4.0	6	48	18.0	240	87
D4F6N48M4	4.0	6	48	18.0	480	87
D4F6N52M2	4.0	6	52	20.0	240	89
D4F6N52M4	4.0	6	52	20.0	480	89
D4F6N64M2	4.0	6	64	25.0	240	100
D4F6N64M4	4.0	6	64	25.0	480	100
D4F6N77M2	4.0	6	77	30.0	240	107
D4F6N77M4	4.0	6	77	30.0	480	107
D4F6N88M4	4.0	6	88	34.0	480	115
D4F6N106M4	4.0	6	106	38.0	480	129
D4F6N120M4	4.0	6	120	47.0	480	138

WattDensity: 20

Catalog Number	Duct Diameter	Qty of Elements	Length	kW	Volts	Weight
D3F3N18B2Y	3.0	3	18	2.7	240	36
D3F3N18B4Y	3.0	3	18	2.7	480	36
D3F3N20B2Y	3.0	3	20	3.3	240	37
D3F3N20B4Y	3.0	3	20	3.3	480	37
D3F3N25B2Y	3.0	3	25	4.0	240	39
D3F3N25B4Y	3.0	3	25	4.0	480	39
D3F3N33B2Y	3.0	3	33	5.0	240	42
D3F3N33B4Y	3.0	3	33	5.0	480	42
D3F3N43B2Y	3.0	3	43	6.7	240	42
D3F3N43B4Y	3.0	3	43	6.7	480	45
D3F3N52B2Y	3.0	3	52	8.3	240	47
D3F3N52B4Y	3.0	3	52	8.3	480	49
D3F3N61B2Y	3.0	3	61	10.0	240	52
D3F3N61B4Y	3.0	3	61	10.0	480	52
D3F3N88B4Y	3.0	3	88	15.0	480	62
D3F3N106B4Y	3.0	3	106	17.0	480	68
D3F3N120B4Y	3.0	3	120	19.0	480	73
D4F6N18B2Y	4.0	6	18	5.3	240	65
D4F6N18B4Y	4.0	6	18	5.3	480	65
D4F6N20B2Y	4.0	6	20	6.7	240	66
D4F6N20B4Y	4.0	6	20	6.7	480	66
D4F6N25B2Y	4.0	6	25	8.0	240	70

Hi-Temp Duct Heaters

Type D

WattDensity: 20

Catalog Number	Duct Diameter	Qty of Elements	Length	kW	Volts	Weight
D4F6N25B4Y	4.0	6	25	8.0	480	70
D4F6N33B2Y	4.0	6	33	10.0	240	75
D4F6N33B4Y	4.0	6	33	10.0	480	76
D4F6N43B2Y	4.0	6	43	13.0	240	76
D4F6N43B4Y	4.0	6	43	13.0	480	83
D4F6N52B2Y	4.0	6	52	17.0	240	86
D4F6N52B4Y	4.0	6	52	17.0	480	89
D4F6N61B2Y	4.0	6	61	20.0	240	96
D4F6N61B4Y	4.0	6	61	20.0	480	96
D4F6N88B4Y	4.0	6	88	30.0	480	115
D4F6N106B4Y	4.0	6	106	33.0	480	129
D4F6N120B4Y	4.0	6	120	38.0	480	138

WattDensity: 15

Catalog Number	Duct Diameter	Qty of Elements	Length	kW	Volts	Weight
D2P2N17B4S	2.0	2	18	1.3	480	18
D2P2N17B4D	2.0	2	18	8.3	240	18
D2P2N20B4S	2.0	2	20	1.7	480	19
D2P2N20B4D	2.0	2	20	8.3	240	19
D2P2N25B4S	2.0	2	25	2.0	480	20
D2P2N25B4D	2.0	2	25	8.3	240	20
D2P2N32B4S	2.0	2	33	2.5	480	22
D2P2N32B4D	2.0	2	33	8.3	240	22
D2P2N43B4S	2.0	2	43	3.3	480	24
D2P2N43B4D	2.0	2	43	8.3	240	24
D2P2N52B4S	2.0	2	52	4.2	480	26
D2P2N52B4D	2.0	2	52	8.3	240	26
D2P2N61B4S	2.0	2	61	5.0	480	29
D2P2N61B4D	2.0	2	61	8.3	240	29
D2P2N88B4S	2.0	2	88	7.4	480	35
D2P2N88B4D	2.0	2	88	8.3	240	35
D2P2N120B4D	2.0	2	106	8.3	240	40
D2P2N106B4D	2.0	2	106	8.3	240	40
D2P2N106B4S	2.0	2	106	8.4	480	40
D2P2N120B4S	2.0	2	120	9.5	480	43
D2P3N13H2Y	2.0	3	13	1.5	240	17
D2P3N13H4Y	2.0	3	13	1.5	480	17
D2P3N17H2Y	2.0	3	17	2.0	240	20
D2P3N17H4Y	2.0	3	17	2.0	480	20
D2P3N17B4D	2.0	3	18	8.3	240	20
D2P3N20H2Y	2.0	3	20	2.5	240	21
D2P3N20H4Y	2.0	3	20	2.5	480	21
D2P3N20B4D	2.0	3	20	8.3	240	21
D2P3N25H2Y	2.0	3	25	3.0	240	23
D2P3N25H4Y	2.0	3	25	3.0	480	23
D2P3N25B4D	2.0	3	25	8.3	240	23
D2P3N32H2Y	2.0	3	32	4.0	240	26
D2P3N32H4Y	2.0	3	32	4.0	480	26

Hi-Temp Duct Heaters

Type D

WattDensity: 15

Catalog Number	Duct Diameter	Qty of Elements	Length	kW	Volts	Weight
D2P3N32B4D	2.0	3	33	8.3	240	26
D2P3N40H2Y	2.0	3	40	5.0	240	38
D2P3N40H4Y	2.0	3	40	5.0	480	28
D2P3N43B4D	2.0	3	43	8.3	240	29
D2P3N47H2Y	2.0	3	47	6.0	240	31
D2P3N47H4Y	2.0	3	47	6.0	480	31
D2P3N52B4D	2.0	3	52	8.3	240	31
D2P3N61B4D	2.0	3	61	8.3	240	36
D2P3N61H2Y	2.0	3	61	8.3	240	36
D2P3N61H4Y	2.0	3	61	8.3	480	36
D2P3N78H2Y	2.0	3	78	11.1	240	42
D2P3N78H4Y	2.0	3	78	11.1	480	42
D2P3N88B4D	2.0	3	88	8.3	240	46
D2P3N106B4D	2.0	3	106	8.3	240	52
D2P3N120B4D	2.0	3	120	8.3	240	57
D3F3N13H2Y	3.0	3	13	1.5	240	35
D3F3N13H4Y	3.0	3	13	1.5	480	35
D3F3N18H2Y	3.0	3	18	2.0	240	36
D3F3N18H4Y	3.0	3	18	2.0	480	36
D3F3N20H2Y	3.0	3	20	2.5	240	37
D3F3N20H4Y	3.0	3	20	2.5	480	37
D3F3N25H2Y	3.0	3	25	3.0	240	39
D3F3N25H4Y	3.0	3	25	3.0	480	39
D3F3N33H2Y	3.0	3	33	4.0	240	42
D3F3N33H4Y	3.0	3	33	4.0	480	42
D3F3N40H2Y	3.0	3	40	5.0	240	54
D3F3N40H4Y	3.0	3	40	5.0	480	44
D3F3N48H2Y	3.0	3	48	6.0	240	47
D3F3N48H4Y	3.0	3	48	6.0	480	47
D3F3N61H2Y	3.0	3	61	8.3	240	52
D3F3N61H4Y	3.0	3	61	8.3	480	52
D3F3N78H2Y	3.0	3	78	11.1	240	58
D3F3N78H4Y	3.0	3	78	11.1	480	58
D3F3N88H4Y	3.0	3	88	12.5	480	62
D3F3N106H4Y	3.0	3	106	15.0	480	68
D3F3N120H4Y	3.0	3	120	15.0	480	73
D3F3N140H4Y	3.0	3	140	18.0	480	80
D3F3N160H4Y	3.0	3	160	20.0	480	88
D3F3N180H4Y	3.0	3	180	23.0	480	95
D4F6N13H2Y	4.0	6	13	3.0	240	61
D4F6N13H4Y	4.0	6	13	3.0	480	61
D4F6N18H2Y	4.0	6	18	4.0	240	65
D4F6N18H4Y	4.0	6	18	4.0	480	65
D4F6N18B4S	4.0	6	18	4.0	480	65
D4F6N20H2Y	4.0	6	20	5.0	240	66
D4F6N20H4Y	4.0	6	20	5.0	480	66
D4F6N20B4S	4.0	6	20	5.0	480	66
D4F6N25H2Y	4.0	6	25	6.0	240	70
D4F6N25H4Y	4.0	6	25	6.0	480	70

Hi-Temp Duct Heaters

Type D

WattDensity: 15

Catalog Number	Duct Diameter	Qty of Elements	Length	kW	Volts	Weight
D4F6N25B4S	4.0	6	25	6.0	480	70
D4F6N33B2S	4.0	6	33	7.5	240	75
D4F6N33B4S	4.0	6	33	7.5	480	76
D4F6N33H2Y	4.0	6	33	8.0	240	75
D4F6N33H4Y	4.0	6	33	8.0	480	76
D4F6N40H2Y	4.0	6	40	10.0	240	100
D4F6N40H4Y	4.0	6	40	10.0	480	81
D4F6N43B2S	4.0	6	43	10.0	240	76
D4F6N43B4S	4.0	6	43	10.0	480	83
D4F6N48H2Y	4.0	6	48	12.0	240	87
D4F6N48H4Y	4.0	6	48	12.0	480	86
D4F6N52B2S	4.0	6	52	12.5	240	86
D4F6N52B4S	4.0	6	52	12.5	480	89
D4F6N61B2S	4.0	6	61	15.0	240	96
D4F6N61B4S	4.0	6	61	15.0	480	96
D4F6N61H2Y	4.0	6	61	17.0	240	96
D4F6N61H4Y	4.0	6	61	17.0	480	96
D4F6N78H2Y	4.0	6	78	22.0	240	108
D4F6N78H4Y	4.0	6	78	22.0	480	108
D4F6N88B4S	4.0	6	88	22.0	480	115
D4F6N88B4D	4.0	6	88	22.0	480	115
D4F6N88H4Y	4.0	6	88	25.0	480	115
D4F6N106B4S	4.0	6	106	25.0	480	129
D4F6N106B4D	4.0	6	106	28.0	480	129
D4F6N106H4Y	4.0	6	106	28.0	480	128
D4F6N120B4D	4.0	6	120	29.0	480	138
D4F6N120B4S	4.0	6	120	29.0	480	138
D4F6N120H4Y	4.0	6	120	30.0	480	138
D4F6N140H4Y	4.0	6	140	35.0	480	153
D4F6N160H4Y	4.0	6	160	40.0	480	167
D4F6N180H4Y	4.0	6	180	45.0	480	182

WattDensity: 12

Catalog Number	Duct Diameter	Qty of Elements	Length	kW	Volts	Weight
D1P1N6W1	1.0	1	6	0.1	120	9
D1P1N8W1	1.0	1	8	0.2	120	9
D1P1N12W1	1.0	1	12	0.3	120	9
D1P1N12W2	1.0	1	12	0.3	240	9
D1P1N29W1	1.0	1	29	0.5	120	11
D15P2N6W1	1.5	2	6	0.3	120	8
D15P2N6W1S	1.5	2	6	0.3	240	8
D15P2N8W1	1.5	2	8	0.4	120	9
D15P2N8W1S	1.5	2	8	0.4	240	9
D15P2N12W1	1.5	2	12	0.5	120	14
D15P2N12W2	1.5	2	12	0.5	240	14
D15P2N29W1	1.5	2	29	1.0	120	18
D15P2N29W1S	1.5	2	29	1.0	240	18
D15P3N6W1	1.5	3	6	0.4	120	8

Hi-Temp Duct Heaters

Type D

WattDensity: 12

Catalog Number	Duct Diameter	Qty of Elements	Length	kW	Volts	Weight
D15P3N6W2	1.5	3	6	0.4	240	8
D15P3N8W1	1.5	3	8	0.5	120	10
D15P3N8W2	1.5	3	8	0.5	240	10
D15P3N12W1	1.5	3	12	0.8	120	16
D15P3N12W2	1.5	3	12	0.8	240	16
D15P3N29W1	1.5	3	29	1.5	120	22
D15P3N29W2	1.5	3	29	1.5	240	16
D2P2N13H2S	2.0	2	13	0.8	240	17
D2P2N17H2S	2.0	2	17	1.0	240	18
D2P2N17H4S	2.0	2	17	1.0	480	18
D2P2N20H2S	2.0	2	20	1.3	240	19
D2P2N20H4S	2.0	2	20	1.3	480	19
D2P2N25H2S	2.0	2	25	1.5	240	20
D2P2N25H4S	2.0	2	25	1.5	480	20
D2P2N32H2S	2.0	2	32	2.0	240	22
D2P2N32H4S	2.0	2	32	2.0	480	22
D2P2N40H2S	2.0	2	40	2.5	240	30
D2P2N40H4S	2.0	2	40	2.5	480	24
D2P2N47H1S	2.0	2	47	3.0	120	26
D2P2N47H2S	2.0	2	47	3.0	240	26
D2P2N47H4S	2.0	2	47	3.0	480	26
D2P2N61H2S	2.0	2	61	4.2	240	29
D2P2N61H4S	2.0	2	61	4.2	480	29
D2P2N78H2S	2.0	2	78	5.6	240	33
D2P2N78H4S	2.0	2	78	5.6	480	33
D4F6N13H2S	4.0	6	13	2.2	240	61
D4F6N13H4S	4.0	6	13	2.2	480	61
D4F6N18H2S	4.0	6	18	3.0	240	65
D4F6N18H4S	4.0	6	18	3.0	480	65
D4F6N20H2S	4.0	6	20	3.8	240	66
D4F6N20H4S	4.0	6	20	3.8	480	66
D4F6N25H2S	4.0	6	25	4.5	240	70
D4F6N25H4S	4.0	6	25	4.5	480	70
D4F6N33H2S	4.0	6	33	6.0	240	75
D4F6N33H4S	4.0	6	33	6.0	480	76
D4F6N40H2S	4.0	6	40	7.5	240	100
D4F6N40H4S	4.0	6	40	7.5	480	81
D4F6N48H2S	4.0	6	48	9.0	240	87
D4F6N48H4S	4.0	6	48	9.0	480	86
D4F6N61H2S	4.0	6	61	12.5	240	96
D4F6N61H4S	4.0	6	61	12.5	480	96
D4F6N78H2S	4.0	6	78	17.0	240	108
D4F6N78H4S	4.0	6	78	17.0	480	108
D4F6N88H4D	4.0	6	88	19.0	480	115
D4F6N88H4S	4.0	6	88	19.0	480	115
D4F6N106H4S	4.0	6	106	21.0	480	128
D4F6N106H4D	4.0	6	106	21.0	480	128
D4F6N120H4D	4.0	6	120	23.0	480	138
D4F6N120H4S	4.0	6	120	23.0	480	138

Hi-Temp Duct Heaters

Type D

WattDensity: 12

Catalog Number	Duct Diameter	Qty of Elements	Length	kW	Volts	Weight
D4F6N140H4D	4.0	6	140	26.0	240	153
D4F6N140H4S	4.0	6	140	26.0	480	153
D4F6N160H4D	4.0	6	160	30.0	240	167
D4F6N160H4S	4.0	6	160	30.0	480	167
D4F6N180H4D	4.0	6	180	34.0	240	182
D4F6N180H4S	4.0	6	180	34.0	480	182

WattDensity: 8

Catalog Number	Duct Diameter	Qty of Elements	Length	kW	Volts	Weight
D2P3N13M2Y	2.0	3	13	0.7	240	17
D2P3N13M4Y	2.0	3	13	0.7	480	17
D2P3N17M2Y	2.0	3	17	1.0	240	20
D2P3N17M4Y	2.0	3	17	1.0	480	20
D2P3N20M2Y	2.0	3	20	1.2	240	21
D2P3N20M4Y	2.0	3	20	1.2	480	21
D2P3N25M2Y	2.0	3	25	1.5	240	23
D2P3N25M4Y	2.0	3	25	1.5	480	23
D2P3N32M2Y	2.0	3	32	2.0	240	26
D2P3N32M4Y	2.0	3	32	2.0	480	26
D2P3N40M2Y	2.0	3	40	2.5	240	28
D2P3N40M4Y	2.0	3	40	2.5	480	28
D2P3N47M2Y	2.0	3	47	3.0	240	31
D2P3N47M4Y	2.0	3	47	3.0	480	31
D2P3N64M2Y	2.0	3	64	4.2	240	38
D2P3N64M4Y	2.0	3	64	4.2	480	38
D2P3N76M2Y	2.0	3	76	5.0	240	41
D2P3N76M4Y	2.0	3	76	5.0	480	41
D3F3N18M2Y	3.0	3	18	1.0	240	36
D3F3N18M4Y	3.0	3	18	1.0	480	36
D3F3N20M2Y	3.0	3	20	1.3	240	37
D3F3N20M4Y	3.0	3	20	1.3	480	37
D3F3N25M2Y	3.0	3	25	1.5	240	39
D3F3N25M4Y	3.0	3	25	1.5	480	39
D3F3N33M2Y	3.0	3	33	2.0	240	42
D3F3N33M4Y	3.0	3	33	2.0	480	42
D3F3N40M2Y	3.0	3	40	2.5	240	44
D3F3N40M4Y	3.0	3	40	2.5	480	44
D3F3N48M2Y	3.0	3	48	3.0	240	47
D3F3N48M4Y	3.0	3	48	3.0	480	47
D3F3N52M2Y	3.0	3	52	3.3	240	49
D3F3N52M4Y	3.0	3	52	3.3	480	49
D3F3N64M2Y	3.0	3	64	4.2	240	54
D3F3N64M4Y	3.0	3	64	4.2	480	54
D3F3N77M2Y	3.0	3	77	5.0	240	58
D3F3N77M4Y	3.0	3	77	5.0	480	58
D3F3N88M4Y	3.0	3	88	5.6	480	62
D3F3N106M4Y	3.0	3	106	6.3	480	68
D3F3N120M4Y	3.0	3	120	7.8	480	73

Hi-Temp Duct Heaters

Type D

WattDensity: 8

Catalog Number	Duct Diameter	Qty of Elements	Length	kW	Volts	Weight
D4F6N18M2Y	4.0	6	18	2.0	240	64
D4F6N18M4Y	4.0	6	18	2.0	480	65
D4F6N20M2Y	4.0	6	20	2.5	240	66
D4F6N20M4Y	4.0	6	20	2.5	480	66
D4F6N25M2Y	4.0	6	25	3.0	240	70
D4F6N25M4Y	4.0	6	25	3.0	480	70
D4F6N33M2Y	4.0	6	33	4.0	240	76
D4F6N33M4Y	4.0	6	33	4.0	480	76
D4F6N40M2Y	4.0	6	40	5.0	240	81
D4F6N40M4Y	4.0	6	40	5.0	480	81
D4F6N48M2Y	4.0	6	48	6.0	240	87
D4F6N48M4Y	4.0	6	48	6.0	480	87
D4F6N52M2Y	4.0	6	52	6.6	240	89
D4F6N52M4Y	4.0	6	52	6.6	480	89
D4F6N64M2Y	4.0	6	64	8.3	240	100
D4F6N64M4Y	4.0	6	64	8.3	480	100
D4F6N77M2Y	4.0	6	77	10.0	240	107
D4F6N77M4Y	4.0	6	77	10.0	480	107
D4F6N88M4Y	4.0	6	88	11.2	480	115
D4F6N106M4Y	4.0	6	106	13.0	480	129
D4F6N120M4Y	4.0	6	120	16.0	480	138

WattDensity: 6

Catalog Number	Duct Diameter	Qty of Elements	Length	kW	Volts	Weight
D2P2N13M1S	2.0	2	13	0.4	120	17
D2P2N13M2S	2.0	2	13	0.4	240	17
D2P2N13M4S	2.0	2	13	0.4	480	17
D2P2N17M1S	2.0	2	17	0.5	120	18
D2P2N17M2S	2.0	2	17	0.5	240	18
D2P2N17M4S	2.0	2	17	0.5	480	18
D2P2N20M1S	2.0	2	20	0.6	120	19
D2P2N20M2S	2.0	2	20	0.6	240	19
D2P2N20M4S	2.0	2	20	0.6	480	19
D2P2N25M1S	2.0	2	25	0.8	120	21
D2P2N25M2S	2.0	2	25	0.8	240	20
D2P2N25M4S	2.0	2	25	0.8	480	20
D2P2N32M1S	2.0	2	32	1.0	120	22
D2P2N32M2S	2.0	2	32	1.0	240	22
D2P2N32M4S	2.0	2	32	1.0	480	22
D2P2N40M1S	2.0	2	40	1.3	120	24
D2P2N40M2S	2.0	2	40	1.3	240	24
D2P2N40M4S	2.0	2	40	1.3	480	24
D2P2N47M1S	2.0	2	47	1.5	120	26
D2P2N47M2S	2.0	2	47	1.5	240	26
D2P2N47M4S	2.0	2	47	1.5	480	26
D2P2N64M1S	2.0	2	64	2.1	120	30
D2P2N64M2S	2.0	2	64	2.1	240	30
D2P2N64M4S	2.0	2	64	2.1	480	30

Hi-Temp Duct Heaters

Type D

WattDensity: 6

Catalog Number	Duct Diameter	Qty of Elements	Length	kW	Volts	Weight
D2P2N76M1S	2.0	2	76	2.5	120	32
D2P2N76M2S	2.0	2	76	2.5	240	32
D2P2N76M4S	2.0	2	76	2.5	480	32
D4F6N18M2S	4.0	6	18	1.5	240	64
D4F6N18M4S	4.0	6	18	1.5	480	65
D4F6N20M2S	4.0	6	20	1.9	240	66
D4F6N20M4S	4.0	6	20	1.9	480	66
D4F6N25M2S	4.0	6	25	2.2	240	70
D4F6N25M4S	4.0	6	25	2.2	480	70
D4F6N33M2S	4.0	6	33	3.0	240	76
D4F6N33M4S	4.0	6	33	3.0	480	76
D4F6N40M2S	4.0	6	40	3.7	240	81
D4F6N40M4S	4.0	6	40	3.7	480	81
D4F6N48M2S	4.0	6	48	4.5	240	87
D4F6N48M4S	4.0	6	48	4.5	480	87
D4F6N52M2S	4.0	6	52	5.0	240	89
D4F6N52M4S	4.0	6	52	5.0	480	89
D4F6N64M2S	4.0	6	64	6.2	240	100
D4F6N64M4S	4.0	6	64	6.2	480	100
D4F6N77M2S	4.0	6	77	7.5	240	107
D4F6N77M4S	4.0	6	77	7.5	480	107
D4F6N88M4S	4.0	6	88	8.4	480	115
D4F6N106M4S	4.0	6	106	9.4	480	129
D4F6N120M4S	4.0	6	120	11.6	480	138

WattDensity: 4

Catalog Number	Duct Diameter	Qty of Elements	Length	kW	Volts	Weight
D4F6N13H4SY	4.0	6	13	0.7	480	61
D4F6N18H4SY	4.0	6	18	1.0	480	65
D4F6N20H4SY	4.0	6	20	1.3	480	66
D4F6N25H4SY	4.0	6	25	1.5	480	70
D4F6N33H4SY	4.0	6	33	2.0	480	76
D4F6N40H4SY	4.0	6	40	2.5	480	81
D4F6N48H4SY	4.0	6	48	3.0	480	86
D4F6N61H4SY	4.0	6	61	4.2	480	96
D4F6N78H4SY	4.0	6	78	5.6	480	108
D4F6N88B4SD	4.0	6	88	5.6	240	115
D4F6N88H4SY	4.0	6	88	6.3	480	115
D4F6N106B4SD	4.0	6	106	7.0	240	129
D4F6N106H4SY	4.0	6	106	7.0	480	128
D4F6N120B4SD	4.0	6	120	7.1	240	138
D4F6N120H4SY	4.0	6	120	7.5	480	138
D4F6N140H4SY	4.0	6	140	9.0	480	153
D4F6N160H4SY	4.0	6	160	10.0	480	167
D4F6N180H4SY	4.0	6	180	11.3	480	182

WattDensity: 2

Catalog Number	Duct Diameter	Qty of Elements	Length	kW	Volts	Weight
----------------	---------------	-----------------	--------	----	-------	--------

Hi-Temp Duct Heaters

Type D

WattDensity: 2

Catalog Number	Duct Diameter	Qty of Elements	Length	kW	Volts	Weight
D3F3N48M4YD	3.0	3	48	3.3	240	47
D4F6N18M4SY	4.0	6	18	0.5	480	65
D4F6N20M4SY	4.0	6	20	0.6	480	66
D4F6N25M4SY	4.0	6	25	0.7	480	70
D4F6N33M4SY	4.0	6	33	1.0	480	76
D4F6N40M4SY	4.0	6	40	1.2	480	81
D4F6N48M4SY	4.0	6	48	1.5	480	87
D4F6N52M4SY	4.0	6	52	1.7	480	89
D4F6N64M4SY	4.0	6	64	2.1	480	100
D4F6N88M4SY	4.0	6	88	2.8	480	115
D4F6N106M4SY	4.0	6	106	3.1	480	129
D4F6N120M4SY	4.0	6	120	4.0	480	138

GAUMER PROCESS

HEATERS
SYSTEMS
CONTROLS

Hi-Temp Duct - Type D

5" - 6" Diameter

APPLICATIONS

The Gaumer Electric Process Duct Heater is designed for rugged duty where air must be heated through a large temperature rise to a maximum temperature of 1000° F. Contact Gaumer for selection of proper unit for the design conditions.

STANDARD FEATURES

Heating Elements

- Incoloy 800 Sheath Material
- Heavy Wall (.035 in.)
- Large Diameter (.475 in.)
- Sealed Terminals

Standard Features

- High Temp Alloy Spacers
- Gaumer "Evenflow" Configuration
- Type K TC for Overheat Protection
- Stainless Steel Ducted Chamber
- Sleeved Duct Connections
- Calcium Silicate Insulation
- Aluminum Outer Jacket

Construction

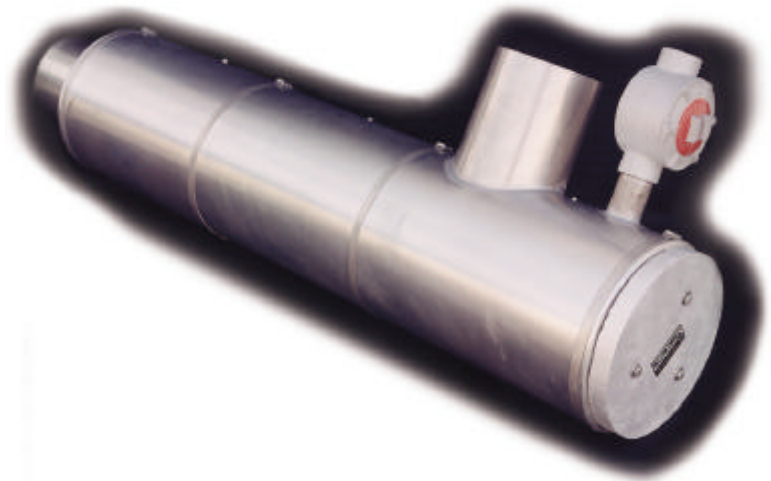
- Welded Heating Elements
- Welded Spacers
- Welded Duct Assembly
- Welded Offset Terminal Housing

Installation

- Flying Leadwires Provided
- Only Standard Materials Needed in Field

Service

- Wiring Modifiable in Field
- Assembly Repairable at Factory



SPECIAL FEATURES

- W Wattage Other Than Cataloged
- V Voltage Other Than Cataloged
- SShrd Stainless Steel Shroud Over Insulation
- ER Explosion Resistant Construction
- LT Weatherproof Construction
- J(K) Additional Sheath Sensing Thermocouple for Overheat Protection
- SpHtr Space Heater Mounted in Terminal Enclosure
- XX Special Feature not Listed Above

Hi-Temp Duct Heaters

Type D

WattDensity: 23

Catalog Number	Duct Diameter	Quantity of Elements	Length	kW	Volts	Weight
D5F6N18M2	5.0	6	18	6.0	240	76
D5F6N18M4	5.0	6	18	6.0	480	77
D5F6N20M2	5.0	6	20	7.5	240	78
D5F6N20M4	5.0	6	20	7.5	480	78
D5F6N25M2	5.0	6	25	9.0	240	82
D5F6N25M4	5.0	6	25	9.0	480	82
D5F6N33M2	5.0	6	33	12.0	240	88
D5F6N33M4	5.0	6	33	12.0	480	88
D5F6N40M2	5.0	6	40	15.0	240	93
D5F6N40M4	5.0	6	40	15.0	480	93
D5F6N48M2	5.0	6	48	18.0	240	99
D5F6N48M4	5.0	6	48	18.0	480	99
D5F6N52M2	5.0	6	52	20.0	240	101
D5F6N52M4	5.0	6	52	20.0	480	101
D5F6N64M2	5.0	6	64	25.0	240	112
D5F6N64M4	5.0	6	64	25.0	480	112
D5F6N77M2	5.0	6	77	30.0	240	119
D5F6N77M4	5.0	6	77	30.0	480	119
D5F6N88M4	5.0	6	88	34.0	480	127
D5F6N106M4	5.0	6	106	38.0	480	141
D5F6N120M4	5.0	6	120	47.0	480	150
D5F9N18M2	5.0	9	18	9.0	240	82
D5F9N18M4	5.0	9	18	9.0	480	83
D5F9N20M2	5.0	9	20	11.3	240	86
D5F9N20M4	5.0	9	20	11.3	480	86
D5F9N25M2	5.0	9	25	14.0	240	91
D5F9N25M4	5.0	9	25	14.0	480	91
D5F9N33M2	5.0	9	33	18.0	240	100
D5F9N33M4	5.0	9	33	18.0	480	100
D5F9N40M2	5.0	9	40	23.0	240	107
D5F9N40M4	5.0	9	40	23.0	480	107
D5F9N48M2	5.0	9	48	27.0	240	116
D5F9N48M4	5.0	9	48	27.0	480	116
D5F9N52M2	5.0	9	52	30.0	240	120
D5F9N52M4	5.0	9	52	30.0	480	120
D5F9N64M2	5.0	9	64	38.0	240	136
D5F9N64M4	5.0	9	64	38.0	480	136
D5F9N77M2	5.0	9	77	45.0	240	147
D5F9N77M4	5.0	9	77	45.0	480	147
D5F9N88M4	5.0	9	88	50.0	480	159
D5F9N106M4	5.0	9	106	57.0	480	179
D5F9N120M4	5.0	9	120	70.0	480	194
D6F12N18M2	6.0	12	18	12.0	240	110
D6F12N18M4	6.0	12	18	12.0	480	112
D6F12N20M2	6.0	12	20	15.0	240	115
D6F12N20M4	6.0	12	20	15.0	480	115
D6F12N25M2	6.0	12	25	18.0	240	122
D6F12N25M4	6.0	12	25	18.0	480	122
D6F12N33M2	6.0	12	33	24.0	240	134

Hi-Temp Duct Heaters

Type D

WattDensity: 23

Catalog Number	Duct Diameter	Quantity of Elements	Length	kW	Volts	Weight
D6F12N33M4	6.0	12	33	24.0	480	134
D6F12N40M2	6.0	12	40	30.0	240	144
D6F12N40M4	6.0	12	40	30.0	480	144
D6F12N48M2	6.0	12	48	36.0	240	155
D6F12N48M4	6.0	12	48	36.0	480	155
D6F12N52M2	6.0	12	52	40.0	240	161
D6F12N52M4	6.0	12	52	40.0	480	161
D6F12N64M2	6.0	12	64	50.0	240	182
D6F12N64M4	6.0	12	64	50.0	480	182
D6F12N77M2	6.0	12	77	60.0	240	197
D6F12N77M4	6.0	12	77	60.0	480	197
D6F12N88M4	6.0	12	88	67.0	480	213
D6F12N106M4	6.0	12	106	76.0	480	240
D6F12N120M4	6.0	12	120	94.0	480	259
D6F15N18M2	6.0	15	18	15.0	240	117
D6F15N18M4	6.0	15	18	15.0	480	118
D6F15N20M2	6.0	15	20	19.0	240	122
D6F15N20M4	6.0	15	20	19.0	480	122
D6F15N25M2	6.0	15	25	23.0	240	131
D6F15N25M4	6.0	15	25	23.0	480	131
D6F15N33M2	6.0	15	33	30.0	240	145
D6F15N33M4	6.0	15	33	30.0	480	145
D6F15N40M2	6.0	15	40	38.0	240	158
D6F15N40M4	6.0	15	40	38.0	480	158
D6F15N48M2	6.0	15	48	45.0	240	172
D6F15N48M4	6.0	15	48	45.0	480	172
D6F15N52M2	6.0	15	52	50.0	240	180
D6F15N52M4	6.0	15	52	50.0	480	180
D6F15N64M2	6.0	15	64	63.0	240	206
D6F15N64M4	6.0	15	64	63.0	480	206
D6F15N77M2	6.0	15	77	75.0	240	225
D6F15N77M4	6.0	15	77	75.0	480	225
D6F15N88M4	6.0	15	88	84.0	480	244
D6F15N106M4	6.0	15	106	95.0	480	278
D6F15N120M4	6.0	15	120	117.0	480	302

WattDensity: 20

Catalog Number	Duct Diameter	Quantity of Elements	Length	kW	Volts	Weight
D5F6N18B2Y	5.0	6	18	5.3	240	77
D5F6N18B4Y	5.0	6	18	5.3	480	77
D5F6N20B2Y	5.0	6	20	6.7	240	78
D5F6N20B4Y	5.0	6	20	6.7	480	78
D5F6N25B2Y	5.0	6	25	8.0	240	82
D5F6N25B4Y	5.0	6	25	8.0	480	82
D5F6N33B2Y	5.0	6	33	10.0	240	87
D5F6N33B4Y	5.0	6	33	10.0	480	88
D5F6N43B2Y	5.0	6	43	13.0	240	88
D5F6N43B4Y	5.0	6	43	13.0	480	95
D5F6N52B2Y	5.0	6	52	17.0	240	98

11/19/2001

Page 3 of 12

Hi-Temp Duct Heaters

Type D

WattDensity: 20

Catalog Number	Duct Diameter	Quantity of Elements	Length	kW	Volts	Weight
D5F6N52B4Y	5.0	6	52	17.0	480	101
D5F6N61B2Y	5.0	6	61	20.0	240	108
D5F6N61B4Y	5.0	6	61	20.0	480	108
D5F6N88B4Y	5.0	6	88	30.0	480	127
D5F6N120B4Y	5.0	6	120	38.0	480	150
D5F9N18B2Y	5.0	9	18	8.0	240	83
D5F9N18B4Y	5.0	9	18	8.0	480	83
D5F9N20B2Y	5.0	9	20	10.0	240	86
D5F9N20B4Y	5.0	9	20	10.0	480	86
D5F9N25B2Y	5.0	9	25	12.0	240	91
D5F9N25B4Y	5.0	9	25	12.0	480	91
D5F9N33B2Y	5.0	9	33	15.0	240	99
D5F9N33B4Y	5.0	9	33	15.0	480	100
D5F9N43B2Y	5.0	9	43	20.0	240	100
D5F9N43B4Y	5.0	9	43	20.0	480	110
D5F9N52B2Y	5.0	9	52	25.0	240	115
D5F9N52B4Y	5.0	9	52	25.0	480	120
D5F9N61B2Y	5.0	9	61	30.0	240	130
D5F9N61B4Y	5.0	9	61	30.0	480	130
D5F9N88B4Y	5.0	9	88	45.0	480	159
D5F9N106B4Y	5.0	9	106	50.0	480	179
D5F9N120B4Y	5.0	9	120	57.0	480	194
D6F12N18B2Y	6.0	12	18	10.7	240	112
D6F12N18B4Y	6.0	12	18	10.7	480	112
D6F12N20B2Y	6.0	12	20	13.0	240	115
D6F12N20B4Y	6.0	12	20	13.0	480	115
D6F12N25B2Y	6.0	12	25	16.0	240	122
D6F12N25B4Y	6.0	12	25	16.0	480	122
D6F12N33B2Y	6.0	12	33	20.0	240	132
D6F12N33B4Y	6.0	12	33	20.0	480	134
D6F12N43B2Y	6.0	12	43	27.0	240	134
D6F12N43B4Y	6.0	12	43	27.0	480	148
D6F12N52B2Y	6.0	12	52	33.0	240	154
D6F12N52B4Y	6.0	12	52	33.0	480	161
D6F12N61B2Y	6.0	12	61	40.0	240	174
D6F12N61B4Y	6.0	12	61	40.0	480	174
D6F12N88B4Y	6.0	12	88	59.0	480	213
D6F12N106B4Y	6.0	12	106	67.0	480	240
D6F12N120B4Y	6.0	12	120	76.0	480	259
D6F15N18B2Y	6.0	15	18	13.0	240	118
D6F15N18B4Y	6.0	15	18	13.0	480	118
D6F15N20B2Y	6.0	15	20	17.0	240	122
D6F15N20B4Y	6.0	15	20	17.0	480	122
D6F15N25B2Y	6.0	15	25	20.0	240	131
D6F15N25B4Y	6.0	15	25	20.0	480	131
D6F15N33B2Y	6.0	15	33	25.0	240	144
D6F15N33B4Y	6.0	15	33	25.0	480	145
D6F15N43B2Y	6.0	15	43	33.0	240	146
D6F15N43B4Y	6.0	15	43	33.0	480	163

Hi-Temp Duct Heaters

Type D

WattDensity: 20

Catalog Number	Duct Diameter	Quantity of Elements	Length	kW	Volts	Weight
D6F15N52B2Y	6.0	15	52	42.0	240	171
D6F15N52B4Y	6.0	15	52	42.0	480	180
D6F15N61B2Y	6.0	15	61	50.0	240	196
D6F15N61B4Y	6.0	15	61	50.0	480	196
D6F15N88B4Y	6.0	15	88	74.0	480	244
D6F15N106B4Y	6.0	15	106	84.0	480	278
D6F15N120B4Y	6.0	15	120	95.0	480	302

WattDensity: 15

Catalog Number	Duct Diameter	Quantity of Elements	Length	kW	Volts	Weight
D5F6N13H2Y	5.0	6	13	3.0	240	73
D5F6N13H4Y	5.0	6	13	3.0	480	73
D5F6N18B2S	5.0	6	18	4.0	240	77
D5F6N18H2Y	5.0	6	18	4.0	240	77
D5F6N18H4Y	5.0	6	18	4.0	480	77
D5F6N20B2S	5.0	6	20	5.0	240	78
D5F6N20H2Y	5.0	6	20	5.0	240	78
D5F6N20H4Y	5.0	6	20	5.0	480	78
D5F6N25B2S	5.0	6	25	6.0	240	82
D5F6N25H2Y	5.0	6	25	6.0	240	82
D5F6N25H4Y	5.0	6	25	6.0	480	82
D5F6N33B2S	5.0	6	33	7.5	240	87
D5F6N33B4S	5.0	6	33	7.5	480	88
D5F6N33H2Y	5.0	6	33	8.0	240	87
D5F6N33H4Y	5.0	6	33	8.0	480	88
D5F6N40H2Y	5.0	6	40	10.0	240	112
D5F6N40H4Y	5.0	6	40	10.0	480	93
D5F6N43B2S	5.0	6	43	10.0	240	88
D5F6N43B4S	5.0	6	43	10.0	480	95
D5F6N48H2Y	5.0	6	48	12.0	240	99
D5F6N48H4Y	5.0	6	48	12.0	480	98
D5F6N52B2S	5.0	6	52	12.5	240	98
D5F6N52B4S	5.0	6	52	12.5	480	101
D5F6N61B2S	5.0	6	61	15.0	240	108
D5F6N61B4S	5.0	6	61	15.0	480	108
D5F6N61H2Y	5.0	6	61	17.0	240	108
D5F6N61H4Y	5.0	6	61	17.0	480	108
D5F6N78H2Y	5.0	6	78	22.0	240	120
D5F6N78H4Y	5.0	6	78	22.0	480	120
D5F6N88B4S	5.0	6	88	22.0	480	127
D5F6N88H4Y	5.0	6	88	25.0	480	127
D5F6N106B4D	5.0	6	106	25.0	480	141
D5F6N106B4S	5.0	6	106	25.0	480	141
D5F6N106H4Y	5.0	6	106	28.0	480	140
D5F6N120B4S	5.0	6	120	29.0	480	150
D5F6N120H4Y	5.0	6	120	30.0	480	150
D5F6N140H4Y	5.0	6	140	35.0	480	165
D5F6N160H4Y	5.0	6	160	40.0	480	179
D5F6N180H4Y	5.0	6	180	45.0	480	194

11/19/2001

Page 5 of 12

Hi-Temp Duct Heaters

Type D

WattDensity: 15

Catalog Number	Duct Diameter	Quantity of Elements	Length	kW	Volts	Weight
D5F9N13H2Y	5.0	9	13	4.5	240	78
D5F9N13H4Y	5.0	9	13	4.5	480	78
D5F9N18H2Y	5.0	9	18	6.0	240	83
D5F9N18H4Y	5.0	9	18	6.0	480	83
D5F9N20H2Y	5.0	9	20	7.5	240	86
D5F9N20H4Y	5.0	9	20	7.5	480	86
D5F9N25H2Y	5.0	9	25	9.0	240	91
D5F9N25H4Y	5.0	9	25	9.0	480	91
D5F9N33H2Y	5.0	9	33	12.0	240	99
D5F9N33H4Y	5.0	9	33	12.0	480	100
D5F9N40H2Y	5.0	9	40	15.0	240	136
D5F9N40H4Y	5.0	9	40	15.0	480	107
D5F9N48H2Y	5.0	9	48	18.0	240	116
D5F9N48H4Y	5.0	9	48	18.0	480	115
D5F9N61H2Y	5.0	9	61	25.0	240	130
D5F9N61H4Y	5.0	9	61	25.0	480	130
D5F9N78H2Y	5.0	9	78	33.0	240	148
D5F9N78H4Y	5.0	9	78	33.0	480	148
D5F9N88H4Y	5.0	9	88	38.0	480	159
D5F9N106H4Y	5.0	9	106	42.0	480	178
D5F9N120H4Y	5.0	9	120	45.0	480	194
D5F9N140H4Y	5.0	9	140	53.0	480	215
D5F9N160H4Y	5.0	9	160	60.0	480	237
D5F9N180H4Y	5.0	9	180	68.0	480	258
D6F12N13H2Y	6.0	12	13	6.0	240	105
D6F12N13H4Y	6.0	12	13	6.0	480	105
D6F12N18B2S	6.0	12	18	8.0	240	112
D6F12N18H2Y	6.0	12	18	8.0	240	112
D6F12N18H4Y	6.0	12	18	8.0	480	112
D6F12N18B4S	6.0	12	18	8.0	480	112
D6F12N20B2S	6.0	12	20	10.0	240	115
D6F12N20H2Y	6.0	12	20	10.0	240	115
D6F12N20B4S	6.0	12	20	10.0	480	115
D6F12N20H4Y	6.0	12	20	10.0	480	115
D6F12N25B2S	6.0	12	25	12.0	240	122
D6F12N25H2Y	6.0	12	25	12.0	240	122
D6F12N25H4Y	6.0	12	25	12.0	480	122
D6F12N25B4S	6.0	12	25	12.0	480	122
D6F12N33B2S	6.0	12	33	15.0	240	132
D6F12N33B4S	6.0	12	33	15.0	480	134
D6F12N33H2Y	6.0	12	33	16.0	240	132
D6F12N33H4Y	6.0	12	33	16.0	480	134
D6F12N40H2Y	6.0	12	40	20.0	240	182
D6F12N40H4Y	6.0	12	40	20.0	480	144
D6F12N43B2S	6.0	12	43	20.0	240	134
D6F12N43B4S	6.0	12	43	20.0	480	148
D6F12N48H2Y	6.0	12	48	24.0	240	155
D6F12N48H4Y	6.0	12	48	24.0	480	154
D6F12N52B2S	6.0	12	52	25.0	240	154

Hi-Temp Duct Heaters

Type D

WattDensity: 15

Catalog Number	Duct Diameter	Quantity of Elements	Length	kW	Volts	Weight
D6F12N52B4S	6.0	12	52	25.0	480	161
D6F12N61B2S	6.0	12	61	30.0	240	174
D6F12N61B4S	6.0	12	61	30.0	480	174
D6F12N61H2Y	6.0	12	61	33.0	240	174
D6F12N61H4Y	6.0	12	61	33.0	480	174
D6F12N78H2Y	6.0	12	78	45.0	240	198
D6F12N78H4Y	6.0	12	78	45.0	480	198
D6F12N88B4D	6.0	12	88	45.0	480	213
D6F12N88H4Y	6.0	12	88	50.0	480	213
D6F12N106B4S	6.0	12	106	50.0	480	240
D6F12N106H4Y	6.0	12	106	56.0	480	239
D6F12N120B4S	6.0	12	120	57.0	480	259
D6F12N120H4Y	6.0	12	120	60.0	480	259
D6F12N140H4Y	6.0	12	140	70.0	480	288
D6F12N160H4Y	6.0	12	160	80.0	480	316
D6F12N180H4Y	6.0	12	180	90.0	480	345
D6F15N13H2Y	6.0	15	13	7.5	240	109
D6F15N13H4Y	6.0	15	13	7.5	480	109
D6F15N18H2Y	6.0	15	18	10.0	240	118
D6F15N18H4Y	6.0	15	18	10.0	480	118
D6F15N20H2Y	6.0	15	20	12.5	240	122
D6F15N20H4Y	6.0	15	20	12.5	480	122
D6F15N25H2Y	6.0	15	25	15.0	240	131
D6F15N25H4Y	6.0	15	25	15.0	480	131
D6F15N33H2Y	6.0	15	33	20.0	240	144
D6F15N33H4Y	6.0	15	33	20.0	480	145
D6F15N40H2Y	6.0	15	40	25.0	240	206
D6F15N40H4Y	6.0	15	40	25.0	480	158
D6F15N48H2Y	6.0	15	48	30.0	240	172
D6F15N48H4Y	6.0	15	48	30.0	480	171
D6F15N61H2Y	6.0	15	61	42.0	240	196
D6F15N61H4Y	6.0	15	61	42.0	480	196
D6F15N78H2Y	6.0	15	78	56.0	240	226
D6F15N78H4Y	6.0	15	78	56.0	480	226
D6F15N88H4Y	6.0	15	88	63.0	480	244
D6F15N106H4Y	6.0	15	106	70.0	480	277
D6F15N120H4Y	6.0	15	120	75.0	480	302
D6F15N140H4Y	6.0	15	140	88.0	480	338
D6F15N160H4Y	6.0	15	160	101.0	480	374
D6F15N180H4Y	6.0	15	180	113.0	480	410

WattDensity: 12

Catalog Number	Duct Diameter	Quantity of Elements	Length	kW	Volts	Weight
D5F6N13H2S	5.0	6	13	2.2	240	73
D5F6N13H4S	5.0	6	13	2.2	480	73
D5F6N18H2S	5.0	6	18	3.0	240	77
D5F6N18H4S	5.0	6	18	3.0	480	77
D5F6N20H2S	5.0	6	20	3.8	240	78
D5F6N20H4S	5.0	6	20	3.8	480	78

11/19/2001

Page 7 of 12

Hi-Temp Duct Heaters

Type D

WattDensity: 12

Catalog Number	Duct Diameter	Quantity of Elements	Length	kW	Volts	Weight
D5F6N25H2S	5.0	6	25	4.5	240	82
D5F6N25H4S	5.0	6	25	4.5	480	82
D5F6N33H2S	5.0	6	33	6.0	240	87
D5F6N33H4S	5.0	6	33	6.0	480	88
D5F6N40H2S	5.0	6	40	7.5	240	112
D5F6N40H4S	5.0	6	40	7.5	480	93
D5F6N48H2S	5.0	6	48	9.0	240	99
D5F6N48H4S	5.0	6	48	9.0	480	98
D5F6N61H2S	5.0	6	61	12.5	240	108
D5F6N61H4S	5.0	6	61	12.5	480	108
D5F6N78H2S	5.0	6	78	17.0	240	120
D5F6N78H4S	5.0	6	78	17.0	480	120
D5F6N88H4S	5.0	6	88	19.0	480	127
D5F6N88H4D	5.0	6	88	19.0	480	127
D5F6N106H4S	5.0	6	106	21.0	480	140
D5F6N106H4D	5.0	6	106	21.0	480	140
D5F6N120H4S	5.0	6	120	23.0	480	150
D5F6N120H4D	5.0	6	120	23.0	480	150
D5F6N140H4D	5.0	6	140	26.0	240	165
D5F6N140H4S	5.0	6	140	26.0	480	165
D5F6N160H4D	5.0	6	160	30.0	240	179
D5F6N160H4S	5.0	6	160	30.0	480	179
D5F6N180H4D	5.0	6	180	34.0	240	194
D5F6N180H4S	5.0	6	180	34.0	480	194
D6F12N13H2S	6.0	12	13	4.5	240	105
D6F12N13H4S	6.0	12	13	4.5	480	105
D6F12N18H2S	6.0	12	18	6.0	240	112
D6F12N18H4S	6.0	12	18	6.0	480	112
D6F12N20H2S	6.0	12	20	7.5	240	115
D6F12N20H4S	6.0	12	20	7.5	480	115
D6F12N25H2S	6.0	12	25	9.0	240	122
D6F12N25H4S	6.0	12	25	9.0	480	122
D6F12N33H2S	6.0	12	33	12.0	240	132
D6F12N33H4S	6.0	12	33	12.0	480	134
D6F12N40H2S	6.0	12	40	15.0	240	182
D6F12N40H4S	6.0	12	40	15.0	480	144
D6F12N48H2S	6.0	12	48	18.0	240	155
D6F12N48H4S	6.0	12	48	18.0	480	154
D6F12N61H2S	6.0	12	61	25.0	240	174
D6F12N61H4S	6.0	12	61	25.0	480	174
D6F12N78H2S	6.0	12	78	33.0	240	198
D6F12N78H4S	6.0	12	78	33.0	480	198
D6F12N88H4D	6.0	12	88	38.0	480	213
D6F12N88H4S	6.0	12	88	38.0	480	213
D6F12N106H4D	6.0	12	106	42.0	480	239
D6F12N106H4S	6.0	12	106	42.0	480	239
D6F12N120H4D	6.0	12	120	45.0	480	259
D6F12N120H4S	6.0	12	120	45.0	480	259
D6F12N140H4D	6.0	12	140	53.0	240	288

Hi-Temp Duct Heaters

Type D

WattDensity: 12

Catalog Number	Duct Diameter	Quantity of Elements	Length	kW	Volts	Weight
D6F12N140H4S	6.0	12	140	53.0	480	288
D6F12N160H4D	6.0	12	160	60.0	240	316
D6F12N160H4S	6.0	12	160	60.0	480	316
D6F12N180H4D	6.0	12	180	68.0	240	345
D6F12N180H4S	6.0	12	180	68.0	480	345

WattDensity: 8

Catalog Number	Duct Diameter	Quantity of Elements	Length	kW	Volts	Weight
D5F6N18M2Y	5.0	6	18	2.0	240	76
D5F6N18M4Y	5.0	6	18	2.0	480	77
D5F6N20M2Y	5.0	6	20	2.5	240	78
D5F6N20M4Y	5.0	6	20	2.5	480	78
D5F6N25M2Y	5.0	6	25	3.0	240	82
D5F6N25M4Y	5.0	6	25	3.0	480	82
D5F6N33M2Y	5.0	6	33	4.0	240	88
D5F6N33M4Y	5.0	6	33	4.0	480	88
D5F6N40M2Y	5.0	6	40	5.0	240	93
D5F6N40M4Y	5.0	6	40	5.0	480	93
D5F6N48M2Y	5.0	6	48	6.0	240	99
D5F6N48M4Y	5.0	6	48	6.0	480	99
D5F6N52M2Y	5.0	6	52	6.6	240	101
D5F6N52M4Y	5.0	6	52	6.6	480	101
D5F6N64M2Y	5.0	6	64	8.3	240	112
D5F6N64M4Y	5.0	6	64	8.3	480	112
D5F6N77M2Y	5.0	6	77	10.0	240	119
D5F6N77M4Y	5.0	6	77	10.0	480	119
D5F6N88M4Y	5.0	6	88	11.2	480	127
D5F6N106M4Y	5.0	6	106	13.0	480	141
D5F6N120M4Y	5.0	6	120	16.0	480	150
D5F9N18M2Y	5.0	9	18	3.0	240	82
D5F9N18M4Y	5.0	9	18	3.0	480	83
D5F9N20M2Y	5.0	9	20	3.8	240	86
D5F9N20M4Y	5.0	9	20	3.8	480	86
D5F9N25M2Y	5.0	9	25	4.5	240	91
D5F9N25M4Y	5.0	9	25	4.5	480	91
D5F9N33M2Y	5.0	9	33	6.0	240	100
D5F9N33M4Y	5.0	9	33	6.0	480	100
D5F9N40M2Y	5.0	9	40	7.5	240	107
D5F9N40M4Y	5.0	9	40	7.5	480	107
D5F9N48M2Y	5.0	9	48	9.0	240	116
D5F9N48M4Y	5.0	9	48	9.0	480	116
D5F9N52M2Y	5.0	9	52	10.0	240	120
D5F9N52M4Y	5.0	9	52	10.0	480	120
D5F9N64M2Y	5.0	9	64	12.5	240	136
D5F9N64M4Y	5.0	9	64	12.5	480	136
D5F9N77M2Y	5.0	9	77	15.0	240	147
D5F9N77M4Y	5.0	9	77	15.0	480	147
D5F9N88M4Y	5.0	9	88	17.0	480	159
D5F9N106M4Y	5.0	9	106	19.0	480	179

11/19/2001

Page 9 of 12

Hi-Temp Duct Heaters

Type D

WattDensity: 8

Catalog Number	Duct Diameter	Quantity of Elements	Length	kW	Volts	Weight
D5F9N120M4Y	5.0	9	120	24.0	480	194
D6F12N18M2Y	6.0	12	18	4.0	240	110
D6F12N18M4Y	6.0	12	18	4.0	480	112
D6F12N20M2Y	6.0	12	20	5.0	240	115
D6F12N20M4Y	6.0	12	20	5.0	480	115
D6F12N25M2Y	6.0	12	25	6.0	240	122
D6F12N25M4Y	6.0	12	25	6.0	480	122
D6F12N33M2Y	6.0	12	33	8.0	240	134
D6F12N33M4Y	6.0	12	33	8.0	480	134
D6F12N40M2Y	6.0	12	40	10.0	240	144
D6F12N40M4Y	6.0	12	40	10.0	480	144
D6F12N48M2Y	6.0	12	48	12.0	240	155
D6F12N48M4Y	6.0	12	48	12.0	480	155
D6F12N52M2Y	6.0	12	52	13.0	240	161
D6F12N52M4Y	6.0	12	52	13.0	480	161
D6F12N64M2Y	6.0	12	64	17.0	240	182
D6F12N64M4Y	6.0	12	64	17.0	480	182
D6F12N77M2Y	6.0	12	77	20.0	240	197
D6F12N77M4Y	6.0	12	77	20.0	480	197
D6F12N88M4Y	6.0	12	88	22.0	480	213
D6F12N106M4Y	6.0	12	106	25.0	480	240
D6F12N120M4Y	6.0	12	120	31.0	480	259
D6F15N18M2Y	6.0	15	18	5.0	240	117
D6F15N18M4Y	6.0	15	18	5.0	480	118
D6F15N20M2Y	6.0	15	20	6.3	240	122
D6F15N20M4Y	6.0	15	20	6.3	480	122
D6F15N25M2Y	6.0	15	25	7.5	240	131
D6F15N25M4Y	6.0	15	25	7.5	480	131
D6F15N33M2Y	6.0	15	33	10.0	240	145
D6F15N33M4Y	6.0	15	33	10.0	480	145
D6F15N40M2Y	6.0	15	40	12.5	240	158
D6F15N40M4Y	6.0	15	40	12.5	480	158
D6F15N48M2Y	6.0	15	48	15.0	240	172
D6F15N48M4Y	6.0	15	48	15.0	480	172
D6F15N64M2Y	6.0	15	64	21.0	240	206
D6F15N64M4Y	6.0	15	64	21.0	480	206
D6F15N77M2Y	6.0	15	77	25.0	240	225
D6F15N77M4Y	6.0	15	77	25.0	480	225
D6F15N88M4Y	6.0	15	88	28.0	480	244
D6F15N106M4Y	6.0	15	106	32.0	480	278
D6F15N120M4Y	6.0	15	120	39.0	480	302

WattDensity: 6

Catalog Number	Duct Diameter	Quantity of Elements	Length	kW	Volts	Weight
D5F6N18M2S	5.0	6	18	1.5	240	76
D5F6N18M4S	5.0	6	18	1.5	480	77
D5F6N20M2S	5.0	6	20	1.9	240	78
D5F6N20M4S	5.0	6	20	1.9	480	78
D5F6N25M2S	5.0	6	25	2.2	240	82

11/19/2001

Page 10 of 12

Hi-Temp Duct Heaters

Type D

WattDensity: 6

Catalog Number	Duct Diameter	Quantity of Elements	Length	kW	Volts	Weight
D5F6N25M4S	5.0	6	25	2.2	480	82
D5F6N33M2S	5.0	6	33	3.0	240	88
D5F6N33M4S	5.0	6	33	3.0	480	88
D5F6N40M2S	5.0	6	40	3.7	240	93
D5F6N40M4S	5.0	6	40	3.7	480	93
D5F6N48M2S	5.0	6	48	4.5	240	99
D5F6N48M4S	5.0	6	48	4.5	480	99
D5F6N52M2S	5.0	6	52	5.0	240	101
D5F6N52M4S	5.0	6	52	5.0	480	101
D5F6N64M2S	5.0	6	64	6.2	240	112
D5F6N64M4S	5.0	6	64	6.2	480	112
D5F6N77M2S	5.0	6	77	7.5	240	119
D5F6N77M4S	5.0	6	77	7.5	480	119
D5F6N88M4S	5.0	6	88	8.4	480	127
D5F6N106M4S	5.0	6	106	9.4	480	141
D5F6N120M4S	5.0	6	120	11.6	480	150
D6F12N18M2S	6.0	12	18	3.0	240	110
D6F12N18M4S	6.0	12	18	3.0	480	112
D6F12N20M2S	6.0	12	20	3.7	240	115
D6F12N20M4S	6.0	12	20	3.7	480	115
D6F12N25M2S	6.0	12	25	4.5	240	122
D6F12N25M4S	6.0	12	25	4.5	480	122
D6F12N33M2S	6.0	12	33	6.0	240	134
D6F12N33M4S	6.0	12	33	6.0	480	134
D6F12N40M2S	6.0	12	40	7.5	240	144
D6F12N40M4S	6.0	12	40	7.5	480	144
D6F12N48M2S	6.0	12	48	9.0	240	155
D6F12N48M4S	6.0	12	48	9.0	480	155
D6F12N52M2S	6.0	12	52	10.0	240	161
D6F12N52M4S	6.0	12	52	10.0	480	161
D6F12N64M2S	6.0	12	64	12.5	240	182
D6F12N64M4S	6.0	12	64	12.5	480	182
D6F12N77M2S	6.0	12	77	15.0	240	197
D6F12N77M4S	6.0	12	77	15.0	480	197
D6F12N88M4S	6.0	12	88	17.0	480	213
D6F12N106M4S	6.0	12	106	19.0	480	240
D6F12N120M4S	6.0	12	120	24.0	480	259

WattDensity: 4

Catalog Number	Duct Diameter	Quantity of Elements	Length	kW	Volts	Weight
D5F6N13H4SY	5.0	6	13	0.7	480	73
D5F6N18H4SY	5.0	6	18	1.0	480	77
D5F6N20H4SY	5.0	6	20	1.3	480	78
D5F6N25H4SY	5.0	6	25	1.5	480	82
D5F6N33H4SY	5.0	6	33	2.0	480	88
D5F6N40H4SY	5.0	6	40	2.5	480	93
D5F6N48H4SY	5.0	6	48	3.0	480	98
D5F6N61H4SY	5.0	6	61	4.2	480	108
D5F6N78H4SY	5.0	6	78	5.6	480	120

11/19/2001

Page 11 of 12

Hi-Temp Duct Heaters

Type D

WattDensity: 4

Catalog Number	Duct Diameter	Quantity of Elements	Length	kW	Volts	Weight
D5F6N88H4SY	5.0	6	88	6.3	480	127
D5F6N106H4SY	5.0	6	106	7.0	480	140
D5F6N120H4SY	5.0	6	120	7.5	480	150
D5F6N140H4SY	5.0	6	140	9.0	480	165
D5F6N160H4SY	5.0	6	160	10.0	480	179
D5F6N180H4SY	5.0	6	180	11.3	480	194
D6F12N13H4SY	6.0	12	13	1.5	480	105
D6F12N18H4SY	6.0	12	18	2.0	480	112
D6F12N20H4SY	6.0	12	20	2.5	480	115
D6F12N25H4SY	6.0	12	25	3.0	480	122
D6F12N33H4SY	6.0	12	33	4.0	480	134
D6F12N40H4SY	6.0	12	40	5.0	480	144
D6F12N48H4SY	6.0	12	48	6.0	480	154
D6F12N61H4SY	6.0	12	61	8.4	480	174
D6F12N78H4SY	6.0	12	78	11.1	480	198
D6F12N88B4SD	6.0	12	88	45.0	240	213
D6F12N106H4SY	6.0	12	106	15.0	480	239
D6F12N120H4SY	6.0	12	120	15.0	480	259
D6F12N140H4SY	6.0	12	140	18.0	480	288
D6F12N160H4SY	6.0	12	160	20.0	480	316
D6F12N180H4SY	6.0	12	180	23.0	480	345

WattDensity: 2

Catalog Number	Duct Diameter	Quantity of Elements	Length	kW	Volts	Weight
D5F6N18M4SY	5.0	6	18	0.5	480	77
D5F6N20M4SY	5.0	6	20	0.6	480	78
D5F6N25M4SY	5.0	6	25	0.7	480	82
D5F6N33M4SY	5.0	6	33	1.0	480	88
D5F6N40M4SY	5.0	6	40	1.2	480	93
D5F6N48M4SY	5.0	6	48	1.5	480	99
D5F6N52M4SY	5.0	6	52	1.7	480	101
D5F6N64M4SY	5.0	6	64	2.1	480	112
D5F6N77M4SY	5.0	6	77	2.5	480	119
D5F6N88M4SY	5.0	6	88	2.8	480	127
D5F6N106M4SY	5.0	6	106	3.1	480	141
D5F6N120M4SY	5.0	6	120	4.0	480	150
D6F12N18M4SY	6.0	12	18	1.0	480	112
D6F12N20M4SY	6.0	12	20	1.2	480	115
D6F12N25M4SY	6.0	12	25	1.5	480	122
D6F12N33M4YD	6.0	12	33	2.0	240	134
D6F12N33M4SY	6.0	12	33	2.0	480	134
D6F12N40M4SY	6.0	12	40	2.5	480	144
D6F12N48M4SY	6.0	12	48	3.0	480	155
D6F12N52M4SY	6.0	12	52	3.3	480	161
D6F12N64M4SY	6.0	12	64	4.2	480	182
D6F12N77M4SY	6.0	12	77	5.0	480	197
D6F12N88M4SY	6.0	12	88	5.6	480	213
D6F12N106M4SY	6.0	12	106	6.3	480	240
D6F12N120M4SY	6.0	12	120	7.8	480	259

11/19/2001

Page 12 of 12

GAUMER PROCESS

HEATERS
SYSTEMS
CONTROLS

Hi-Temp Duct - Type D

8" - 10" Diameter

APPLICATIONS

The Gaumer Electric Process Duct Heater is designed for rugged duty where air must be heated through a large temperature rise to a maximum temperature of 1000° F. Contact Gaumer for selection of proper unit for the design conditions.

STANDARD FEATURES

Heating Elements

- Incoloy 800 Sheath Material
- Heavy Wall (.035 in.)
- Large Diameter (.475 in.)
- Sealed Terminals

Standard Features

- High Temp Alloy Spacers
- Gaumer "Evenflow" Configuration
- Type K TC for Overheat Protection
- Stainless Steel Ducted Chamber
- Sleeved Duct Connections
- Calcium Silicate Insulation
- Aluminum Outer Jacket

Construction

- Welded Heating Elements
- Welded Spacers
- Welded Duct Assembly
- Welded Offset Terminal Housing

Installation

- Flying Leadwires Provided
- Only Standard Materials Needed in Field

Service

- Wiring Modifiable in Field
- Assembly Repairable at Factory



SPECIAL FEATURES

- W Wattage Other Than Cataloged
- V Voltage Other Than Cataloged
- SShrd Stainless Steel Shroud Over Insulation
- ER Explosion Resistant Construction
- LT Weatherproof Construction
- J(K) Additional Sheath Sensing Thermocouple for Overheat Protection
- SpHtr Space Heater Mounted in Terminal Enclosure
- XX Special Feature not Listed Above

Hi-Temp Duct Heaters

Type D

WattDensity: 23

Catalog Number	Duct Diameter	Quantity of Elements	Length	kW	Volts	Weight
D5F6N18M2	5.0	6	18	6.0	240	76
D5F6N18M4	5.0	6	18	6.0	480	77
D5F6N20M2	5.0	6	20	7.5	240	78
D5F6N20M4	5.0	6	20	7.5	480	78
D5F6N25M2	5.0	6	25	9.0	240	82
D5F6N25M4	5.0	6	25	9.0	480	82
D5F6N33M2	5.0	6	33	12.0	240	88
D5F6N33M4	5.0	6	33	12.0	480	88
D5F6N40M2	5.0	6	40	15.0	240	93
D5F6N40M4	5.0	6	40	15.0	480	93
D5F6N48M2	5.0	6	48	18.0	240	99
D5F6N48M4	5.0	6	48	18.0	480	99
D5F6N52M2	5.0	6	52	20.0	240	101
D5F6N52M4	5.0	6	52	20.0	480	101
D5F6N64M2	5.0	6	64	25.0	240	112
D5F6N64M4	5.0	6	64	25.0	480	112
D5F6N77M2	5.0	6	77	30.0	240	119
D5F6N77M4	5.0	6	77	30.0	480	119
D5F6N88M4	5.0	6	88	34.0	480	127
D5F6N106M4	5.0	6	106	38.0	480	141
D5F6N120M4	5.0	6	120	47.0	480	150
D5F9N18M2	5.0	9	18	9.0	240	82
D5F9N18M4	5.0	9	18	9.0	480	83
D5F9N20M2	5.0	9	20	11.3	240	86
D5F9N20M4	5.0	9	20	11.3	480	86
D5F9N25M2	5.0	9	25	14.0	240	91
D5F9N25M4	5.0	9	25	14.0	480	91
D5F9N33M2	5.0	9	33	18.0	240	100
D5F9N33M4	5.0	9	33	18.0	480	100
D5F9N40M2	5.0	9	40	23.0	240	107
D5F9N40M4	5.0	9	40	23.0	480	107
D5F9N48M2	5.0	9	48	27.0	240	116
D5F9N48M4	5.0	9	48	27.0	480	116
D5F9N52M2	5.0	9	52	30.0	240	120
D5F9N52M4	5.0	9	52	30.0	480	120
D5F9N64M2	5.0	9	64	38.0	240	136
D5F9N64M4	5.0	9	64	38.0	480	136
D5F9N77M2	5.0	9	77	45.0	240	147
D5F9N77M4	5.0	9	77	45.0	480	147
D5F9N88M4	5.0	9	88	50.0	480	159
D5F9N106M4	5.0	9	106	57.0	480	179
D5F9N120M4	5.0	9	120	70.0	480	194
D6F12N18M2	6.0	12	18	12.0	240	110
D6F12N18M4	6.0	12	18	12.0	480	112
D6F12N20M2	6.0	12	20	15.0	240	115
D6F12N20M4	6.0	12	20	15.0	480	115
D6F12N25M2	6.0	12	25	18.0	240	122
D6F12N25M4	6.0	12	25	18.0	480	122
D6F12N33M2	6.0	12	33	24.0	240	134

Hi-Temp Duct Heaters

Type D

WattDensity: 23

Catalog Number	Duct Diameter	Quantity of Elements	Length	kW	Volts	Weight
D6F12N33M4	6.0	12	33	24.0	480	134
D6F12N40M2	6.0	12	40	30.0	240	144
D6F12N40M4	6.0	12	40	30.0	480	144
D6F12N48M2	6.0	12	48	36.0	240	155
D6F12N48M4	6.0	12	48	36.0	480	155
D6F12N52M2	6.0	12	52	40.0	240	161
D6F12N52M4	6.0	12	52	40.0	480	161
D6F12N64M2	6.0	12	64	50.0	240	182
D6F12N64M4	6.0	12	64	50.0	480	182
D6F12N77M2	6.0	12	77	60.0	240	197
D6F12N77M4	6.0	12	77	60.0	480	197
D6F12N88M4	6.0	12	88	67.0	480	213
D6F12N106M4	6.0	12	106	76.0	480	240
D6F12N120M4	6.0	12	120	94.0	480	259
D6F15N18M2	6.0	15	18	15.0	240	117
D6F15N18M4	6.0	15	18	15.0	480	118
D6F15N20M2	6.0	15	20	19.0	240	122
D6F15N20M4	6.0	15	20	19.0	480	122
D6F15N25M2	6.0	15	25	23.0	240	131
D6F15N25M4	6.0	15	25	23.0	480	131
D6F15N33M2	6.0	15	33	30.0	240	145
D6F15N33M4	6.0	15	33	30.0	480	145
D6F15N40M2	6.0	15	40	38.0	240	158
D6F15N40M4	6.0	15	40	38.0	480	158
D6F15N48M2	6.0	15	48	45.0	240	172
D6F15N48M4	6.0	15	48	45.0	480	172
D6F15N52M2	6.0	15	52	50.0	240	180
D6F15N52M4	6.0	15	52	50.0	480	180
D6F15N64M2	6.0	15	64	63.0	240	206
D6F15N64M4	6.0	15	64	63.0	480	206
D6F15N77M2	6.0	15	77	75.0	240	225
D6F15N77M4	6.0	15	77	75.0	480	225
D6F15N88M4	6.0	15	88	84.0	480	244
D6F15N106M4	6.0	15	106	95.0	480	278
D6F15N120M4	6.0	15	120	117.0	480	302

WattDensity: 20

Catalog Number	Duct Diameter	Quantity of Elements	Length	kW	Volts	Weight
D5F6N18B2Y	5.0	6	18	5.3	240	77
D5F6N18B4Y	5.0	6	18	5.3	480	77
D5F6N20B2Y	5.0	6	20	6.7	240	78
D5F6N20B4Y	5.0	6	20	6.7	480	78
D5F6N25B2Y	5.0	6	25	8.0	240	82
D5F6N25B4Y	5.0	6	25	8.0	480	82
D5F6N33B2Y	5.0	6	33	10.0	240	87
D5F6N33B4Y	5.0	6	33	10.0	480	88
D5F6N43B2Y	5.0	6	43	13.0	240	88
D5F6N43B4Y	5.0	6	43	13.0	480	95
D5F6N52B2Y	5.0	6	52	17.0	240	98

11/19/2001

Page 3 of 12

Hi-Temp Duct Heaters

Type D

WattDensity: 20

Catalog Number	Duct Diameter	Quantity of Elements	Length	kW	Volts	Weight
D5F6N52B4Y	5.0	6	52	17.0	480	101
D5F6N61B2Y	5.0	6	61	20.0	240	108
D5F6N61B4Y	5.0	6	61	20.0	480	108
D5F6N88B4Y	5.0	6	88	30.0	480	127
D5F6N120B4Y	5.0	6	120	38.0	480	150
D5F9N18B2Y	5.0	9	18	8.0	240	83
D5F9N18B4Y	5.0	9	18	8.0	480	83
D5F9N20B2Y	5.0	9	20	10.0	240	86
D5F9N20B4Y	5.0	9	20	10.0	480	86
D5F9N25B2Y	5.0	9	25	12.0	240	91
D5F9N25B4Y	5.0	9	25	12.0	480	91
D5F9N33B2Y	5.0	9	33	15.0	240	99
D5F9N33B4Y	5.0	9	33	15.0	480	100
D5F9N43B2Y	5.0	9	43	20.0	240	100
D5F9N43B4Y	5.0	9	43	20.0	480	110
D5F9N52B2Y	5.0	9	52	25.0	240	115
D5F9N52B4Y	5.0	9	52	25.0	480	120
D5F9N61B2Y	5.0	9	61	30.0	240	130
D5F9N61B4Y	5.0	9	61	30.0	480	130
D5F9N88B4Y	5.0	9	88	45.0	480	159
D5F9N106B4Y	5.0	9	106	50.0	480	179
D5F9N120B4Y	5.0	9	120	57.0	480	194
D6F12N18B2Y	6.0	12	18	10.7	240	112
D6F12N18B4Y	6.0	12	18	10.7	480	112
D6F12N20B2Y	6.0	12	20	13.0	240	115
D6F12N20B4Y	6.0	12	20	13.0	480	115
D6F12N25B2Y	6.0	12	25	16.0	240	122
D6F12N25B4Y	6.0	12	25	16.0	480	122
D6F12N33B2Y	6.0	12	33	20.0	240	132
D6F12N33B4Y	6.0	12	33	20.0	480	134
D6F12N43B2Y	6.0	12	43	27.0	240	134
D6F12N43B4Y	6.0	12	43	27.0	480	148
D6F12N52B2Y	6.0	12	52	33.0	240	154
D6F12N52B4Y	6.0	12	52	33.0	480	161
D6F12N61B2Y	6.0	12	61	40.0	240	174
D6F12N61B4Y	6.0	12	61	40.0	480	174
D6F12N88B4Y	6.0	12	88	59.0	480	213
D6F12N106B4Y	6.0	12	106	67.0	480	240
D6F12N120B4Y	6.0	12	120	76.0	480	259
D6F15N18B2Y	6.0	15	18	13.0	240	118
D6F15N18B4Y	6.0	15	18	13.0	480	118
D6F15N20B2Y	6.0	15	20	17.0	240	122
D6F15N20B4Y	6.0	15	20	17.0	480	122
D6F15N25B2Y	6.0	15	25	20.0	240	131
D6F15N25B4Y	6.0	15	25	20.0	480	131
D6F15N33B2Y	6.0	15	33	25.0	240	144
D6F15N33B4Y	6.0	15	33	25.0	480	145
D6F15N43B2Y	6.0	15	43	33.0	240	146
D6F15N43B4Y	6.0	15	43	33.0	480	163

Hi-Temp Duct Heaters

Type D

WattDensity: 20

Catalog Number	Duct Diameter	Quantity of Elements	Length	kW	Volts	Weight
D6F15N52B2Y	6.0	15	52	42.0	240	171
D6F15N52B4Y	6.0	15	52	42.0	480	180
D6F15N61B2Y	6.0	15	61	50.0	240	196
D6F15N61B4Y	6.0	15	61	50.0	480	196
D6F15N88B4Y	6.0	15	88	74.0	480	244
D6F15N106B4Y	6.0	15	106	84.0	480	278
D6F15N120B4Y	6.0	15	120	95.0	480	302

WattDensity: 15

Catalog Number	Duct Diameter	Quantity of Elements	Length	kW	Volts	Weight
D5F6N13H2Y	5.0	6	13	3.0	240	73
D5F6N13H4Y	5.0	6	13	3.0	480	73
D5F6N18B2S	5.0	6	18	4.0	240	77
D5F6N18H2Y	5.0	6	18	4.0	240	77
D5F6N18H4Y	5.0	6	18	4.0	480	77
D5F6N20B2S	5.0	6	20	5.0	240	78
D5F6N20H2Y	5.0	6	20	5.0	240	78
D5F6N20H4Y	5.0	6	20	5.0	480	78
D5F6N25B2S	5.0	6	25	6.0	240	82
D5F6N25H2Y	5.0	6	25	6.0	240	82
D5F6N25H4Y	5.0	6	25	6.0	480	82
D5F6N33B2S	5.0	6	33	7.5	240	87
D5F6N33B4S	5.0	6	33	7.5	480	88
D5F6N33H2Y	5.0	6	33	8.0	240	87
D5F6N33H4Y	5.0	6	33	8.0	480	88
D5F6N40H2Y	5.0	6	40	10.0	240	112
D5F6N40H4Y	5.0	6	40	10.0	480	93
D5F6N43B2S	5.0	6	43	10.0	240	88
D5F6N43B4S	5.0	6	43	10.0	480	95
D5F6N48H2Y	5.0	6	48	12.0	240	99
D5F6N48H4Y	5.0	6	48	12.0	480	98
D5F6N52B2S	5.0	6	52	12.5	240	98
D5F6N52B4S	5.0	6	52	12.5	480	101
D5F6N61B2S	5.0	6	61	15.0	240	108
D5F6N61B4S	5.0	6	61	15.0	480	108
D5F6N61H2Y	5.0	6	61	17.0	240	108
D5F6N61H4Y	5.0	6	61	17.0	480	108
D5F6N78H2Y	5.0	6	78	22.0	240	120
D5F6N78H4Y	5.0	6	78	22.0	480	120
D5F6N88B4S	5.0	6	88	22.0	480	127
D5F6N88H4Y	5.0	6	88	25.0	480	127
D5F6N106B4D	5.0	6	106	25.0	480	141
D5F6N106B4S	5.0	6	106	25.0	480	141
D5F6N106H4Y	5.0	6	106	28.0	480	140
D5F6N120B4S	5.0	6	120	29.0	480	150
D5F6N120H4Y	5.0	6	120	30.0	480	150
D5F6N140H4Y	5.0	6	140	35.0	480	165
D5F6N160H4Y	5.0	6	160	40.0	480	179
D5F6N180H4Y	5.0	6	180	45.0	480	194

11/19/2001

Page 5 of 12

Hi-Temp Duct Heaters

Type D

WattDensity: 15

Catalog Number	Duct Diameter	Quantity of Elements	Length	kW	Volts	Weight
D5F9N13H2Y	5.0	9	13	4.5	240	78
D5F9N13H4Y	5.0	9	13	4.5	480	78
D5F9N18H2Y	5.0	9	18	6.0	240	83
D5F9N18H4Y	5.0	9	18	6.0	480	83
D5F9N20H2Y	5.0	9	20	7.5	240	86
D5F9N20H4Y	5.0	9	20	7.5	480	86
D5F9N25H2Y	5.0	9	25	9.0	240	91
D5F9N25H4Y	5.0	9	25	9.0	480	91
D5F9N33H2Y	5.0	9	33	12.0	240	99
D5F9N33H4Y	5.0	9	33	12.0	480	100
D5F9N40H2Y	5.0	9	40	15.0	240	136
D5F9N40H4Y	5.0	9	40	15.0	480	107
D5F9N48H2Y	5.0	9	48	18.0	240	116
D5F9N48H4Y	5.0	9	48	18.0	480	115
D5F9N61H2Y	5.0	9	61	25.0	240	130
D5F9N61H4Y	5.0	9	61	25.0	480	130
D5F9N78H2Y	5.0	9	78	33.0	240	148
D5F9N78H4Y	5.0	9	78	33.0	480	148
D5F9N88H4Y	5.0	9	88	38.0	480	159
D5F9N106H4Y	5.0	9	106	42.0	480	178
D5F9N120H4Y	5.0	9	120	45.0	480	194
D5F9N140H4Y	5.0	9	140	53.0	480	215
D5F9N160H4Y	5.0	9	160	60.0	480	237
D5F9N180H4Y	5.0	9	180	68.0	480	258
D6F12N13H2Y	6.0	12	13	6.0	240	105
D6F12N13H4Y	6.0	12	13	6.0	480	105
D6F12N18B2S	6.0	12	18	8.0	240	112
D6F12N18H2Y	6.0	12	18	8.0	240	112
D6F12N18H4Y	6.0	12	18	8.0	480	112
D6F12N18B4S	6.0	12	18	8.0	480	112
D6F12N20B2S	6.0	12	20	10.0	240	115
D6F12N20H2Y	6.0	12	20	10.0	240	115
D6F12N20B4S	6.0	12	20	10.0	480	115
D6F12N20H4Y	6.0	12	20	10.0	480	115
D6F12N25B2S	6.0	12	25	12.0	240	122
D6F12N25H2Y	6.0	12	25	12.0	240	122
D6F12N25H4Y	6.0	12	25	12.0	480	122
D6F12N25B4S	6.0	12	25	12.0	480	122
D6F12N33B2S	6.0	12	33	15.0	240	132
D6F12N33B4S	6.0	12	33	15.0	480	134
D6F12N33H2Y	6.0	12	33	16.0	240	132
D6F12N33H4Y	6.0	12	33	16.0	480	134
D6F12N40H2Y	6.0	12	40	20.0	240	182
D6F12N40H4Y	6.0	12	40	20.0	480	144
D6F12N43B2S	6.0	12	43	20.0	240	134
D6F12N43B4S	6.0	12	43	20.0	480	148
D6F12N48H2Y	6.0	12	48	24.0	240	155
D6F12N48H4Y	6.0	12	48	24.0	480	154
D6F12N52B2S	6.0	12	52	25.0	240	154

Hi-Temp Duct Heaters

Type D

WattDensity: 15

Catalog Number	Duct Diameter	Quantity of Elements	Length	kW	Volts	Weight
D6F12N52B4S	6.0	12	52	25.0	480	161
D6F12N61B2S	6.0	12	61	30.0	240	174
D6F12N61B4S	6.0	12	61	30.0	480	174
D6F12N61H2Y	6.0	12	61	33.0	240	174
D6F12N61H4Y	6.0	12	61	33.0	480	174
D6F12N78H2Y	6.0	12	78	45.0	240	198
D6F12N78H4Y	6.0	12	78	45.0	480	198
D6F12N88B4D	6.0	12	88	45.0	480	213
D6F12N88H4Y	6.0	12	88	50.0	480	213
D6F12N106B4S	6.0	12	106	50.0	480	240
D6F12N106H4Y	6.0	12	106	56.0	480	239
D6F12N120B4S	6.0	12	120	57.0	480	259
D6F12N120H4Y	6.0	12	120	60.0	480	259
D6F12N140H4Y	6.0	12	140	70.0	480	288
D6F12N160H4Y	6.0	12	160	80.0	480	316
D6F12N180H4Y	6.0	12	180	90.0	480	345
D6F15N13H2Y	6.0	15	13	7.5	240	109
D6F15N13H4Y	6.0	15	13	7.5	480	109
D6F15N18H2Y	6.0	15	18	10.0	240	118
D6F15N18H4Y	6.0	15	18	10.0	480	118
D6F15N20H2Y	6.0	15	20	12.5	240	122
D6F15N20H4Y	6.0	15	20	12.5	480	122
D6F15N25H2Y	6.0	15	25	15.0	240	131
D6F15N25H4Y	6.0	15	25	15.0	480	131
D6F15N33H2Y	6.0	15	33	20.0	240	144
D6F15N33H4Y	6.0	15	33	20.0	480	145
D6F15N40H2Y	6.0	15	40	25.0	240	206
D6F15N40H4Y	6.0	15	40	25.0	480	158
D6F15N48H2Y	6.0	15	48	30.0	240	172
D6F15N48H4Y	6.0	15	48	30.0	480	171
D6F15N61H2Y	6.0	15	61	42.0	240	196
D6F15N61H4Y	6.0	15	61	42.0	480	196
D6F15N78H2Y	6.0	15	78	56.0	240	226
D6F15N78H4Y	6.0	15	78	56.0	480	226
D6F15N88H4Y	6.0	15	88	63.0	480	244
D6F15N106H4Y	6.0	15	106	70.0	480	277
D6F15N120H4Y	6.0	15	120	75.0	480	302
D6F15N140H4Y	6.0	15	140	88.0	480	338
D6F15N160H4Y	6.0	15	160	101.0	480	374
D6F15N180H4Y	6.0	15	180	113.0	480	410

WattDensity: 12

Catalog Number	Duct Diameter	Quantity of Elements	Length	kW	Volts	Weight
D5F6N13H2S	5.0	6	13	2.2	240	73
D5F6N13H4S	5.0	6	13	2.2	480	73
D5F6N18H2S	5.0	6	18	3.0	240	77
D5F6N18H4S	5.0	6	18	3.0	480	77
D5F6N20H2S	5.0	6	20	3.8	240	78
D5F6N20H4S	5.0	6	20	3.8	480	78

11/19/2001

Page 7 of 12

Hi-Temp Duct Heaters

Type D

WattDensity: 12

Catalog Number	Duct Diameter	Quantity of Elements	Length	kW	Volts	Weight
D5F6N25H2S	5.0	6	25	4.5	240	82
D5F6N25H4S	5.0	6	25	4.5	480	82
D5F6N33H2S	5.0	6	33	6.0	240	87
D5F6N33H4S	5.0	6	33	6.0	480	88
D5F6N40H2S	5.0	6	40	7.5	240	112
D5F6N40H4S	5.0	6	40	7.5	480	93
D5F6N48H2S	5.0	6	48	9.0	240	99
D5F6N48H4S	5.0	6	48	9.0	480	98
D5F6N61H2S	5.0	6	61	12.5	240	108
D5F6N61H4S	5.0	6	61	12.5	480	108
D5F6N78H2S	5.0	6	78	17.0	240	120
D5F6N78H4S	5.0	6	78	17.0	480	120
D5F6N88H4S	5.0	6	88	19.0	480	127
D5F6N88H4D	5.0	6	88	19.0	480	127
D5F6N106H4S	5.0	6	106	21.0	480	140
D5F6N106H4D	5.0	6	106	21.0	480	140
D5F6N120H4S	5.0	6	120	23.0	480	150
D5F6N120H4D	5.0	6	120	23.0	480	150
D5F6N140H4D	5.0	6	140	26.0	240	165
D5F6N140H4S	5.0	6	140	26.0	480	165
D5F6N160H4D	5.0	6	160	30.0	240	179
D5F6N160H4S	5.0	6	160	30.0	480	179
D5F6N180H4D	5.0	6	180	34.0	240	194
D5F6N180H4S	5.0	6	180	34.0	480	194
D6F12N13H2S	6.0	12	13	4.5	240	105
D6F12N13H4S	6.0	12	13	4.5	480	105
D6F12N18H2S	6.0	12	18	6.0	240	112
D6F12N18H4S	6.0	12	18	6.0	480	112
D6F12N20H2S	6.0	12	20	7.5	240	115
D6F12N20H4S	6.0	12	20	7.5	480	115
D6F12N25H2S	6.0	12	25	9.0	240	122
D6F12N25H4S	6.0	12	25	9.0	480	122
D6F12N33H2S	6.0	12	33	12.0	240	132
D6F12N33H4S	6.0	12	33	12.0	480	134
D6F12N40H2S	6.0	12	40	15.0	240	182
D6F12N40H4S	6.0	12	40	15.0	480	144
D6F12N48H2S	6.0	12	48	18.0	240	155
D6F12N48H4S	6.0	12	48	18.0	480	154
D6F12N61H2S	6.0	12	61	25.0	240	174
D6F12N61H4S	6.0	12	61	25.0	480	174
D6F12N78H2S	6.0	12	78	33.0	240	198
D6F12N78H4S	6.0	12	78	33.0	480	198
D6F12N88H4D	6.0	12	88	38.0	480	213
D6F12N88H4S	6.0	12	88	38.0	480	213
D6F12N106H4D	6.0	12	106	42.0	480	239
D6F12N106H4S	6.0	12	106	42.0	480	239
D6F12N120H4D	6.0	12	120	45.0	480	259
D6F12N120H4S	6.0	12	120	45.0	480	259
D6F12N140H4D	6.0	12	140	53.0	240	288

Hi-Temp Duct Heaters

Type D

WattDensity: 12

Catalog Number	Duct Diameter	Quantity of Elements	Length	kW	Volts	Weight
D6F12N140H4S	6.0	12	140	53.0	480	288
D6F12N160H4D	6.0	12	160	60.0	240	316
D6F12N160H4S	6.0	12	160	60.0	480	316
D6F12N180H4D	6.0	12	180	68.0	240	345
D6F12N180H4S	6.0	12	180	68.0	480	345

WattDensity: 8

Catalog Number	Duct Diameter	Quantity of Elements	Length	kW	Volts	Weight
D5F6N18M2Y	5.0	6	18	2.0	240	76
D5F6N18M4Y	5.0	6	18	2.0	480	77
D5F6N20M2Y	5.0	6	20	2.5	240	78
D5F6N20M4Y	5.0	6	20	2.5	480	78
D5F6N25M2Y	5.0	6	25	3.0	240	82
D5F6N25M4Y	5.0	6	25	3.0	480	82
D5F6N33M2Y	5.0	6	33	4.0	240	88
D5F6N33M4Y	5.0	6	33	4.0	480	88
D5F6N40M2Y	5.0	6	40	5.0	240	93
D5F6N40M4Y	5.0	6	40	5.0	480	93
D5F6N48M2Y	5.0	6	48	6.0	240	99
D5F6N48M4Y	5.0	6	48	6.0	480	99
D5F6N52M2Y	5.0	6	52	6.6	240	101
D5F6N52M4Y	5.0	6	52	6.6	480	101
D5F6N64M2Y	5.0	6	64	8.3	240	112
D5F6N64M4Y	5.0	6	64	8.3	480	112
D5F6N77M2Y	5.0	6	77	10.0	240	119
D5F6N77M4Y	5.0	6	77	10.0	480	119
D5F6N88M4Y	5.0	6	88	11.2	480	127
D5F6N106M4Y	5.0	6	106	13.0	480	141
D5F6N120M4Y	5.0	6	120	16.0	480	150
D5F9N18M2Y	5.0	9	18	3.0	240	82
D5F9N18M4Y	5.0	9	18	3.0	480	83
D5F9N20M2Y	5.0	9	20	3.8	240	86
D5F9N20M4Y	5.0	9	20	3.8	480	86
D5F9N25M2Y	5.0	9	25	4.5	240	91
D5F9N25M4Y	5.0	9	25	4.5	480	91
D5F9N33M2Y	5.0	9	33	6.0	240	100
D5F9N33M4Y	5.0	9	33	6.0	480	100
D5F9N40M2Y	5.0	9	40	7.5	240	107
D5F9N40M4Y	5.0	9	40	7.5	480	107
D5F9N48M2Y	5.0	9	48	9.0	240	116
D5F9N48M4Y	5.0	9	48	9.0	480	116
D5F9N52M2Y	5.0	9	52	10.0	240	120
D5F9N52M4Y	5.0	9	52	10.0	480	120
D5F9N64M2Y	5.0	9	64	12.5	240	136
D5F9N64M4Y	5.0	9	64	12.5	480	136
D5F9N77M2Y	5.0	9	77	15.0	240	147
D5F9N77M4Y	5.0	9	77	15.0	480	147
D5F9N88M4Y	5.0	9	88	17.0	480	159
D5F9N106M4Y	5.0	9	106	19.0	480	179

11/19/2001

Page 9 of 12

Hi-Temp Duct Heaters

Type D

WattDensity: 8

Catalog Number	Duct Diameter	Quantity of Elements	Length	kW	Volts	Weight
D5F9N120M4Y	5.0	9	120	24.0	480	194
D6F12N18M2Y	6.0	12	18	4.0	240	110
D6F12N18M4Y	6.0	12	18	4.0	480	112
D6F12N20M2Y	6.0	12	20	5.0	240	115
D6F12N20M4Y	6.0	12	20	5.0	480	115
D6F12N25M2Y	6.0	12	25	6.0	240	122
D6F12N25M4Y	6.0	12	25	6.0	480	122
D6F12N33M2Y	6.0	12	33	8.0	240	134
D6F12N33M4Y	6.0	12	33	8.0	480	134
D6F12N40M2Y	6.0	12	40	10.0	240	144
D6F12N40M4Y	6.0	12	40	10.0	480	144
D6F12N48M2Y	6.0	12	48	12.0	240	155
D6F12N48M4Y	6.0	12	48	12.0	480	155
D6F12N52M2Y	6.0	12	52	13.0	240	161
D6F12N52M4Y	6.0	12	52	13.0	480	161
D6F12N64M2Y	6.0	12	64	17.0	240	182
D6F12N64M4Y	6.0	12	64	17.0	480	182
D6F12N77M2Y	6.0	12	77	20.0	240	197
D6F12N77M4Y	6.0	12	77	20.0	480	197
D6F12N88M4Y	6.0	12	88	22.0	480	213
D6F12N106M4Y	6.0	12	106	25.0	480	240
D6F12N120M4Y	6.0	12	120	31.0	480	259
D6F15N18M2Y	6.0	15	18	5.0	240	117
D6F15N18M4Y	6.0	15	18	5.0	480	118
D6F15N20M2Y	6.0	15	20	6.3	240	122
D6F15N20M4Y	6.0	15	20	6.3	480	122
D6F15N25M2Y	6.0	15	25	7.5	240	131
D6F15N25M4Y	6.0	15	25	7.5	480	131
D6F15N33M2Y	6.0	15	33	10.0	240	145
D6F15N33M4Y	6.0	15	33	10.0	480	145
D6F15N40M2Y	6.0	15	40	12.5	240	158
D6F15N40M4Y	6.0	15	40	12.5	480	158
D6F15N48M2Y	6.0	15	48	15.0	240	172
D6F15N48M4Y	6.0	15	48	15.0	480	172
D6F15N64M2Y	6.0	15	64	21.0	240	206
D6F15N64M4Y	6.0	15	64	21.0	480	206
D6F15N77M2Y	6.0	15	77	25.0	240	225
D6F15N77M4Y	6.0	15	77	25.0	480	225
D6F15N88M4Y	6.0	15	88	28.0	480	244
D6F15N106M4Y	6.0	15	106	32.0	480	278
D6F15N120M4Y	6.0	15	120	39.0	480	302

WattDensity: 6

Catalog Number	Duct Diameter	Quantity of Elements	Length	kW	Volts	Weight
D5F6N18M2S	5.0	6	18	1.5	240	76
D5F6N18M4S	5.0	6	18	1.5	480	77
D5F6N20M2S	5.0	6	20	1.9	240	78
D5F6N20M4S	5.0	6	20	1.9	480	78
D5F6N25M2S	5.0	6	25	2.2	240	82

11/19/2001

Page 10 of 12

Hi-Temp Duct Heaters

Type D

WattDensity: 6

Catalog Number	Duct Diameter	Quantity of Elements	Length	kW	Volts	Weight
D5F6N25M4S	5.0	6	25	2.2	480	82
D5F6N33M2S	5.0	6	33	3.0	240	88
D5F6N33M4S	5.0	6	33	3.0	480	88
D5F6N40M2S	5.0	6	40	3.7	240	93
D5F6N40M4S	5.0	6	40	3.7	480	93
D5F6N48M2S	5.0	6	48	4.5	240	99
D5F6N48M4S	5.0	6	48	4.5	480	99
D5F6N52M2S	5.0	6	52	5.0	240	101
D5F6N52M4S	5.0	6	52	5.0	480	101
D5F6N64M2S	5.0	6	64	6.2	240	112
D5F6N64M4S	5.0	6	64	6.2	480	112
D5F6N77M2S	5.0	6	77	7.5	240	119
D5F6N77M4S	5.0	6	77	7.5	480	119
D5F6N88M4S	5.0	6	88	8.4	480	127
D5F6N106M4S	5.0	6	106	9.4	480	141
D5F6N120M4S	5.0	6	120	11.6	480	150
D6F12N18M2S	6.0	12	18	3.0	240	110
D6F12N18M4S	6.0	12	18	3.0	480	112
D6F12N20M2S	6.0	12	20	3.7	240	115
D6F12N20M4S	6.0	12	20	3.7	480	115
D6F12N25M2S	6.0	12	25	4.5	240	122
D6F12N25M4S	6.0	12	25	4.5	480	122
D6F12N33M2S	6.0	12	33	6.0	240	134
D6F12N33M4S	6.0	12	33	6.0	480	134
D6F12N40M2S	6.0	12	40	7.5	240	144
D6F12N40M4S	6.0	12	40	7.5	480	144
D6F12N48M2S	6.0	12	48	9.0	240	155
D6F12N48M4S	6.0	12	48	9.0	480	155
D6F12N52M2S	6.0	12	52	10.0	240	161
D6F12N52M4S	6.0	12	52	10.0	480	161
D6F12N64M2S	6.0	12	64	12.5	240	182
D6F12N64M4S	6.0	12	64	12.5	480	182
D6F12N77M2S	6.0	12	77	15.0	240	197
D6F12N77M4S	6.0	12	77	15.0	480	197
D6F12N88M4S	6.0	12	88	17.0	480	213
D6F12N106M4S	6.0	12	106	19.0	480	240
D6F12N120M4S	6.0	12	120	24.0	480	259

WattDensity: 4

Catalog Number	Duct Diameter	Quantity of Elements	Length	kW	Volts	Weight
D5F6N13H4SY	5.0	6	13	0.7	480	73
D5F6N18H4SY	5.0	6	18	1.0	480	77
D5F6N20H4SY	5.0	6	20	1.3	480	78
D5F6N25H4SY	5.0	6	25	1.5	480	82
D5F6N33H4SY	5.0	6	33	2.0	480	88
D5F6N40H4SY	5.0	6	40	2.5	480	93
D5F6N48H4SY	5.0	6	48	3.0	480	98
D5F6N61H4SY	5.0	6	61	4.2	480	108
D5F6N78H4SY	5.0	6	78	5.6	480	120

11/19/2001

Page 11 of 12

Hi-Temp Duct Heaters

Type D

WattDensity: 4

Catalog Number	Duct Diameter	Quantity of Elements	Length	kW	Volts	Weight
D5F6N88H4SY	5.0	6	88	6.3	480	127
D5F6N106H4SY	5.0	6	106	7.0	480	140
D5F6N120H4SY	5.0	6	120	7.5	480	150
D5F6N140H4SY	5.0	6	140	9.0	480	165
D5F6N160H4SY	5.0	6	160	10.0	480	179
D5F6N180H4SY	5.0	6	180	11.3	480	194
D6F12N13H4SY	6.0	12	13	1.5	480	105
D6F12N18H4SY	6.0	12	18	2.0	480	112
D6F12N20H4SY	6.0	12	20	2.5	480	115
D6F12N25H4SY	6.0	12	25	3.0	480	122
D6F12N33H4SY	6.0	12	33	4.0	480	134
D6F12N40H4SY	6.0	12	40	5.0	480	144
D6F12N48H4SY	6.0	12	48	6.0	480	154
D6F12N61H4SY	6.0	12	61	8.4	480	174
D6F12N78H4SY	6.0	12	78	11.1	480	198
D6F12N88B4SD	6.0	12	88	45.0	240	213
D6F12N106H4SY	6.0	12	106	15.0	480	239
D6F12N120H4SY	6.0	12	120	15.0	480	259
D6F12N140H4SY	6.0	12	140	18.0	480	288
D6F12N160H4SY	6.0	12	160	20.0	480	316
D6F12N180H4SY	6.0	12	180	23.0	480	345

WattDensity: 2

Catalog Number	Duct Diameter	Quantity of Elements	Length	kW	Volts	Weight
D5F6N18M4SY	5.0	6	18	0.5	480	77
D5F6N20M4SY	5.0	6	20	0.6	480	78
D5F6N25M4SY	5.0	6	25	0.7	480	82
D5F6N33M4SY	5.0	6	33	1.0	480	88
D5F6N40M4SY	5.0	6	40	1.2	480	93
D5F6N48M4SY	5.0	6	48	1.5	480	99
D5F6N52M4SY	5.0	6	52	1.7	480	101
D5F6N64M4SY	5.0	6	64	2.1	480	112
D5F6N77M4SY	5.0	6	77	2.5	480	119
D5F6N88M4SY	5.0	6	88	2.8	480	127
D5F6N106M4SY	5.0	6	106	3.1	480	141
D5F6N120M4SY	5.0	6	120	4.0	480	150
D6F12N18M4SY	6.0	12	18	1.0	480	112
D6F12N20M4SY	6.0	12	20	1.2	480	115
D6F12N25M4SY	6.0	12	25	1.5	480	122
D6F12N33M4YD	6.0	12	33	2.0	240	134
D6F12N33M4SY	6.0	12	33	2.0	480	134
D6F12N40M4SY	6.0	12	40	2.5	480	144
D6F12N48M4SY	6.0	12	48	3.0	480	155
D6F12N52M4SY	6.0	12	52	3.3	480	161
D6F12N64M4SY	6.0	12	64	4.2	480	182
D6F12N77M4SY	6.0	12	77	5.0	480	197
D6F12N88M4SY	6.0	12	88	5.6	480	213
D6F12N106M4SY	6.0	12	106	6.3	480	240
D6F12N120M4SY	6.0	12	120	7.8	480	259

11/19/2001

Page 12 of 12

GAUMER PROCESS

HEATERS
SYSTEMS
CONTROLS

Hi-Temp Duct - Type D

12", 14", 16", 20", 24" Diameter

APPLICATIONS

The Gaumer Electric Process Duct Heater is designed for rugged duty where air must be heated through a large temperature rise to a maximum temperature of 1000° F. Contact Gaumer for selection of proper unit for the design conditions.

STANDARD FEATURES

Heating Elements

- Incoloy 800 Sheath Material
- Heavy Wall (.035 in.)
- Large Diameter (.475 in.)
- Sealed Terminals

Standard Features

- High Temp Alloy Spacers
- Gaumer "Evenflow" Configuration
- Type K TC for Overheat Protection
- Stainless Steel Ducted Chamber
- Sleeved Duct Connections
- Calcium Silicate Insulation
- Aluminum Outer Jacket

Construction

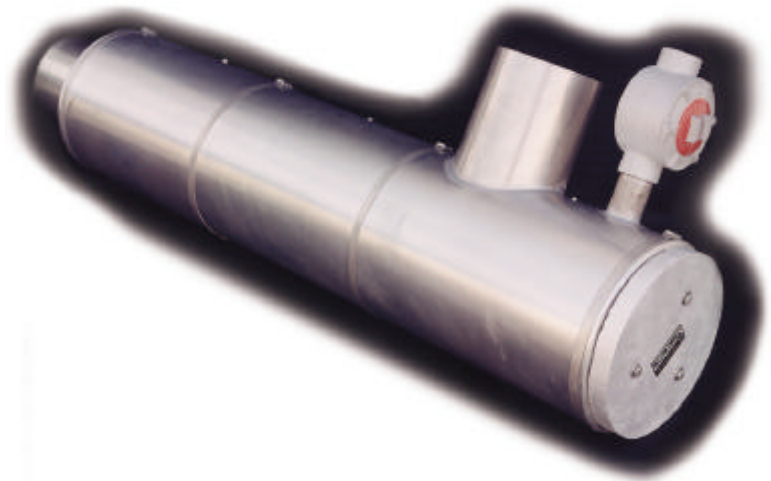
- Welded Heating Elements
- Welded Spacers
- Welded Duct Assembly
- Welded Offset Terminal Housing

Installation

- Flying Leadwires Provided
- Only Standard Materials Needed in Field

Service

- Wiring Modifiable in Field
- Assembly Repairable at Factory



SPECIAL FEATURES

- W Wattage Other Than Cataloged
- V Voltage Other Than Cataloged
- SShrd Stainless Steel Shroud Over Insulation
- ER Explosion Resistant Construction
- LT Weatherproof Construction
- J(K) Additional Sheath Sensing Thermocouple for Overheat Protection
- SpHtr Space Heater Mounted in Terminal Enclosure
- XX Special Feature not Listed Above

Hi-Temp Duct Heaters

Type D

WattDensity: 23

Catalog Number	Duct Diameter	Quantity of Elements	Length	kW	Volts	Weight
D12F36N18M4	12.0	36	18	36.0	480	404
D12F36N20M4	12.0	36	20	45.0	480	412
D12F36N25M4	12.0	36	25	54.0	480	434
D12F36N33M4	12.0	36	33	72.0	480	469
D12F36N40M4	12.0	36	40	90.0	480	499
D12F36N48M4	12.0	36	48	108.0	480	533
D12F36N52M4	12.0	36	52	120.0	480	551
D12F36N64M4	12.0	36	64	153.0	480	614
D12F36N77M4	12.0	36	77	180.0	480	659
D12F36N88M4	12.0	36	88	202.0	480	706
D12F36N106M4	12.0	36	106	227.0	480	787
D12F36N120M4	12.0	36	120	280.0	480	844
D12F48N18M4	12.0	48	18	48.0	480	430
D12F48N20M4	12.0	48	20	60.0	480	441
D12F48N25M4	12.0	48	25	72.0	480	470
D12F48N33M4	12.0	48	33	96.0	480	516
D12F48N40M4	12.0	48	40	120.0	480	556
D12F48N48M4	12.0	48	48	144.0	480	602
D12F48N52M4	12.0	48	52	160.0	480	626
D12F48N64M4	12.0	48	64	204.0	480	710
D12F48N77M4	12.0	48	77	240.0	480	770
D12F48N88M4	12.0	48	88	268.0	480	833
D12F48N106M4	12.0	48	106	303.0	480	940
D12F48N120M4	12.0	48	120	375.0	480	1017
D14F54N40M4	14.0	54	40	135.0	480	625
D14F54N52M4	14.0	54	52	180.0	480	703
D14F54N64M4	14.0	54	64	237.0	480	798
D14F54N77M4	14.0	54	77	270.0	480	865
D14F54N88M4	14.0	54	88	303.0	480	936
D14F54N106M4	14.0	54	106	340.0	480	1057
D14F54N120M4	14.0	54	120	421.0	480	1144
D14F60N40M4	14.0	60	40	150.0	480	654
D14F60N52M4	14.0	60	52	200.0	480	740
D14F60N64M4	14.0	60	64	255.0	480	846
D14F60N77M4	14.0	60	77	300.0	480	920
D14F60N88M4	14.0	60	88	336.0	480	1000
D14F60N106M4	14.0	60	106	378.0	480	1134
D14F60N120M4	14.0	60	120	468.0	480	1230
D14F72N40M4	14.0	72	40	180.0	480	712
D14F72N52M4	14.0	72	52	240.0	480	815
D14F72N64M4	14.0	72	64	306.0	480	942
D14F72N77M4	14.0	72	77	360.0	480	1031
D14F72N88M4	14.0	72	88	403.0	480	1126
D14F72N106M4	14.0	72	106	454.0	480	1288
D14F72N120M4	14.0	72	120	562.0	480	1403

Hi-Temp Duct Heaters

Type D

WattDensity: 20

Catalog Number	Duct Diameter	Quantity of Elements	Length	kW	Volts	Weight
D12F36N52B4Y	12.0	36	52	100.0	480	551
D12F36N61B4Y	12.0	36	61	120.0	480	590
D12F36N88B4Y	12.0	36	88	178.0	480	706
D12F36N106B4Y	12.0	36	106	200.0	480	787
D12F36N120B4Y	12.0	36	120	228.0	480	844
D12F48N33B4Y	12.0	48	33	80.0	480	516
D12F48N43B4Y	12.0	48	43	107.0	480	574
D12F48N52B4Y	12.0	48	52	133.0	480	626
D12F48N61B4Y	12.0	48	61	160.0	480	677
D12F48N88B4Y	12.0	48	88	237.0	480	833
D12F48N106B4Y	12.0	48	106	267.0	480	940
D12F48N120B4Y	12.0	48	120	304.0	480	1017
D14F48N52B4Y	14.0	48	52	133.0	480	632
D14F48N61B4Y	14.0	48	61	160.0	480	655
D14F48N88B4Y	14.0	48	88	237.0	480	711
D14F48N106B4Y	14.0	48	106	268.0	480	785
D14F48N120B4Y	14.0	48	120	304.0	480	885
D14F54N33B4Y	14.0	54	33	90.0	480	580
D14F54N43B4Y	14.0	54	43	120.0	480	580
D14F54N52B4Y	14.0	54	52	150.0	480	703
D14F54N61B4Y	14.0	54	61	180.0	480	761
D14F54N88B4Y	14.0	54	88	266.0	480	936
D14F54N106B4Y	14.0	54	106	300.0	480	1057
D14F54N120B4Y	14.0	54	120	341.0	480	1144
D14F60N33B4Y	14.0	60	33	100.0	480	604
D14F60N43B4Y	14.0	60	43	133.0	480	676
D14F60N52B4Y	14.0	60	52	167.0	480	740
D14F60N61B4Y	14.0	60	61	200.0	480	805
D14F60N88B4Y	14.0	60	88	296.0	480	1000
D14F60N106B4Y	14.0	60	106	334.0	480	1134
D14F60N120B4Y	14.0	60	120	380.0	480	1230
D14F72N33B4Y	14.0	72	33	120.0	480	651
D14F72N43B4Y	14.0	72	43	160.0	480	738
D14F72N52B4Y	14.0	72	52	200.0	480	815
D14F72N61B4Y	14.0	72	61	240.0	480	893
D14F72N88B4Y	14.0	72	88	355.0	480	1126
D14F72N106B4Y	14.0	72	106	401.0	480	1288
D14F72N120B4Y	14.0	72	120	456.0	480	1403

WattDensity: 15

Catalog Number	Duct Diameter	Quantity of Elements	Length	kW	Volts	Weight
D12F36N33B4S	12.0	36	33	45.0	480	469
D12F36N43B4S	12.0	36	43	60.0	480	512
D12F36N52B4S	12.0	36	52	75.0	480	551
D12F36N61B4S	12.0	36	61	90.0	480	590
D12F36N88B4S	12.0	36	88	133.0	480	706
D12F36N106B4S	12.0	36	106	150.0	480	787

Hi-Temp Duct Heaters

Type D

WattDensity: 15

Catalog Number	Duct Diameter	Quantity of Elements	Length	kW	Volts	Weight
D12F36N120B4S	12.0	36	120	171.0	480	844
D12F48N33B4S	12.0	48	33	60.0	480	516
D12F48N33H4Y	12.0	48	33	64.0	480	516
D12F48N40H4Y	12.0	48	40	80.0	480	556
D12F48N43B4S	12.0	48	43	80.0	480	574
D12F48N52H4Y	12.0	48	52	96.0	480	626
D12F48N52B4S	12.0	48	52	100.0	480	626
D12F48N61B4S	12.0	48	61	120.0	480	677
D12F48N61H4Y	12.0	48	61	133.0	480	677
D12F48N78H4Y	12.0	48	78	178.0	480	775
D12F48N88B4S	12.0	48	88	178.0	480	833
D12F48N88H4Y	12.0	48	88	200.0	480	833
D12F48N106B4S	12.0	48	106	200.0	480	940
D12F48N106H4Y	12.0	48	106	222.0	480	937
D12F48N120B4S	12.0	48	120	228.0	480	1017
D12F48N120H4Y	12.0	48	120	240.0	480	1017
D12F48N140H4Y	12.0	48	140	280.0	480	1132
D12F48N160H4Y	12.0	48	160	321.0	480	1248
D12F48N180H4Y	12.0	48	180	360.0	480	1363
D14F48N52B4S	14.0	48	52	100.0	480	632
D14F48N61B4S	14.0	48	61	120.0	480	655
D14F48N88B4S	14.0	48	88	178.0	480	711
D14F48N106B4S	14.0	48	106	200.0	480	785
D14F48N120B4S	14.0	48	120	228.0	480	885
D14F54N33B4S	14.0	54	33	68.0	480	580
D14F54N33H4Y	14.0	54	33	72.0	480	580
D14F54N40H4Y	14.0	54	40	90.0	480	625
D14F54N43B4S	14.0	54	43	90.0	480	645
D14F54N52H4Y	14.0	54	52	108.0	480	703
D14F54N52B4S	14.0	54	52	113.0	480	703
D14F54N61B4S	14.0	54	61	135.0	480	761
D14F54N61H4Y	14.0	54	61	150.0	480	761
D14F54N78H4Y	14.0	54	78	200.0	480	871
D14F54N88B4S	14.0	54	88	200.0	480	936
D14F54N88H4Y	14.0	54	88	225.0	480	936
D14F54N106B4S	14.0	54	106	225.0	480	1057
D14F54N106H4Y	14.0	54	106	250.0	480	1053
D14F54N120B4S	14.0	54	120	256.0	480	1144
D14F54N120H4Y	14.0	54	120	270.0	480	1144
D14F54N140H4Y	14.0	54	140	315.0	480	1273
D14F54N160H4Y	14.0	54	160	362.0	480	1403
D14F54N180H4Y	14.0	54	180	405.0	480	1532
D14F60N33B4S	14.0	60	33	75.0	480	604
D14F60N33H4Y	14.0	60	33	80.0	480	604
D14F60N40H4Y	14.0	60	40	100.0	480	654
D14F60N43B4S	14.0	60	43	100.0	480	676
D14F60N52H4Y	14.0	60	52	120.0	480	740
D14F60N52B4S	14.0	60	52	125.0	480	740

Hi-Temp Duct Heaters

Type D

WattDensity: 15

Catalog Number	Duct Diameter	Quantity of Elements	Length	kW	Volts	Weight
D14F60N61B4S	14.0	60	61	150.0	480	805
D14F60N61H4Y	14.0	60	61	167.0	480	805
D14F60N78H4Y	14.0	60	78	222.0	480	928
D14F60N88B4S	14.0	60	88	222.0	480	1000
D14F60N88H4Y	14.0	60	88	250.0	480	1000
D14F60N106B4S	14.0	60	106	250.0	480	1134
D14F60N106H4Y	14.0	60	106	278.0	480	1129
D14F60N120B4S	14.0	60	120	285.0	480	1230
D14F60N120H4Y	14.0	60	120	300.0	480	1230
D14F60N140H4Y	14.0	60	140	350.0	480	1374
D14F60N160H4Y	14.0	60	160	402.0	480	1518
D14F60N180H4Y	14.0	60	180	450.0	480	1662
D14F72N33B4S	14.0	72	33	90.0	480	651
D14F72N33H4Y	14.0	72	33	96.0	480	651
D14F72N40H4Y	14.0	72	40	120.0	480	712
D14F72N43B4S	14.0	72	43	120.0	480	738
D14F72N52H4Y	14.0	72	52	144.0	480	815
D14F72N52B4S	14.0	72	52	150.0	480	815
D14F72N61B4S	14.0	72	61	180.0	480	893
D14F72N61H4Y	14.0	72	61	200.0	480	893
D14F72N78H4Y	14.0	72	78	266.0	480	1040
D14F72N88B4S	14.0	72	88	266.0	480	1126
D14F72N88H4Y	14.0	72	88	300.0	480	1126
D14F72N106B4S	14.0	72	106	300.0	480	1288
D14F72N106H4Y	14.0	72	106	334.0	480	1282
D14F72N120B4S	14.0	72	120	341.0	480	1403
D14F72N120H4Y	14.0	72	120	360.0	480	1403
D14F72N140H4Y	14.0	72	140	420.0	480	1576
D14F72N160H4Y	14.0	72	160	482.0	480	1748
D14F72N180H4Y	14.0	72	180	540.0	480	1921
D16F84N106H4Y	16.0	84	106	389.0	480	1542
D16F84N120H4Y	16.0	84	120	420.0	480	1684
D16F84N140H4Y	16.0	84	140	490.0	480	1885
D16F84N160H4Y	16.0	84	160	563.0	480	2087
D16F84N180H4Y	16.0	84	180	630.0	480	2288
D18N108N106H4Y	18.0	108	106	500.0	480	1940
D18N108N120H4Y	18.0	108	120	540.0	480	2121
D18N108N140H4Y	18.0	108	140	630.0	480	2380
D18N108N160H4Y	18.0	108	160	724.0	480	2640
D18N108N180H4Y	18.0	108	180	810.0	480	2899
D20F144N106H4Y	20.0	144	106	667.0	480	2566
D20F144N120H4Y	20.0	144	120	720.0	480	2808
D20F144N140H4Y	20.0	144	140	840.0	480	3153
D20F144N160H4Y	20.0	144	160	965.0	480	3499
D20F144N180H4Y	20.0	144	180	1080.0	480	3844
D24F192N106H4Y	24.0	192	106	890.0	480	3492
D24F192N120H4Y	24.0	192	120	960.0	480	3815
D24F192N140H4Y	24.0	192	140	1120.0	480	4276

Hi-Temp Duct Heaters

Type D

WattDensity: 15

Catalog Number	Duct Diameter	Quantity of Elements	Length	kW	Volts	Weight
D24F192N160H4Y	24.0	192	160	1286.0	480	4736
D24F192N180H4Y	24.0	192	180	1440.0	480	5197

WattDensity: 12

Catalog Number	Duct Diameter	Quantity of Elements	Length	kW	Volts	Weight
D12F48N52H4S	12.0	48	52	72.0	480	626
D12F48N61H4S	12.0	48	61	100.0	480	677
D12F48N78H4S	12.0	48	78	133.0	480	775
D12F48N88H4S	12.0	48	88	150.0	480	833
D12F48N106H4S	12.0	48	106	167.0	480	937
D12F48N120H4S	12.0	48	120	180.0	480	1017
D12F48N140H4S	12.0	48	140	210.0	480	1132
D12F48N160H4S	12.0	48	160	241.0	480	1248
D12F48N180H4S	12.0	48	180	270.0	480	1363
D14F54N52H4S	14.0	54	52	81.0	480	703
D14F54N61H4S	14.0	54	61	113.0	480	761
D14F54N78H4S	14.0	54	78	150.0	480	871
D14F54N88H4S	14.0	54	88	169.0	480	936
D14F54N106H4S	14.0	54	106	188.0	480	1053
D14F54N120H4S	14.0	54	120	203.0	480	1144
D14F54N140H4S	14.0	54	140	237.0	480	1273
D14F54N160H4S	14.0	54	160	272.0	480	1403
D14F54N180H4S	14.0	54	180	305.0	480	1532
D14F60N52H4S	14.0	60	52	90.0	480	740
D14F60N61H4S	14.0	60	61	125.0	480	805
D14F60N78H4S	14.0	60	78	167.0	480	928
D14F60N88H4S	14.0	60	88	188.0	480	1000
D14F60N106H4S	14.0	60	106	209.0	480	1129
D14F60N120H4S	14.0	60	120	225.0	480	1230
D14F60N140H4S	14.0	60	140	263.0	480	1374
D14F60N160H4S	14.0	60	160	301.0	480	1518
D14F60N180H4S	14.0	60	180	338.0	480	1662
D14F72N52H4S	14.0	72	52	108.0	480	815
D14F72N61H4S	14.0	72	61	150.0	480	893
D14F72N78H4S	14.0	72	78	200.0	480	1040
D14F72N88H4S	14.0	72	88	225.0	480	1126
D14F72N106H4S	14.0	72	106	250.0	480	1282
D14F72N120H4S	14.0	72	120	270.0	480	1403
D14F72N140H4S	14.0	72	140	315.0	480	1576
D14F72N160H4S	14.0	72	160	361.0	480	1748
D14F72N180H4S	14.0	72	180	405.0	480	1921
D16F84N106H4S	16.0	84	106	292.0	480	1542
D16F84N120H4S	16.0	84	120	315.0	480	1684
D16F84N140H4S	16.0	84	140	368.0	480	1885
D16F84N160H4S	16.0	84	160	421.0	480	2087
D16F84N180H4S	16.0	84	180	473.0	480	2288
D18N108N106H4S	18.0	108	106	375.0	480	1940

Hi-Temp Duct Heaters

Type D

WattDensity: 12

Catalog Number	Duct Diameter	Quantity of Elements	Length	kW	Volts	Weight
D18N108N120H4S	18.0	108	120	405.0	480	2121
D18N108N140H4S	18.0	108	140	473.0	480	2380
D18N108N160H4S	18.0	108	160	542.0	480	2640
D18N108N180H4S	18.0	108	180	608.0	480	2899
D20F144N106H4S	20.0	144	106	502.0	480	2566
D20F144N120H4S	20.0	144	120	540.0	480	2808
D20F144N140H4S	20.0	144	140	631.0	480	3153
D20F144N160H4S	20.0	144	160	722.0	480	3499
D20F144N180H4S	20.0	144	180	811.0	480	3844
D24F192N106H4S	24.0	192	106	667.0	480	3492
D24F192N120H4S	24.0	192	120	720.0	480	3815
D24F192N140H4S	24.0	192	140	840.0	480	4276
D24F192N160H4S	24.0	192	160	963.0	480	4736
D24F192N180H4S	24.0	192	180	1080.0	480	5197

WattDensity: 8

Catalog Number	Duct Diameter	Quantity of Elements	Length	kW	Volts	Weight
D12F48N52M4Y	12.0	48	52	53.0	480	626
D12F48N64M4Y	12.0	48	64	68.0	480	710
D12F48N77M4Y	12.0	48	77	80.0	480	770
D12F48N88M4Y	12.0	48	88	90.0	480	833
D12F48N106M4Y	12.0	48	106	100.0	480	940
D12F48N120M4Y	12.0	48	120	124.0	480	1017
D14F54N52M4Y	14.0	54	52	60.0	480	703
D14F54N64M4Y	14.0	54	64	77.0	480	798
D14F54N77M4Y	14.0	54	77	90.0	480	865
D14F54N88M4Y	14.0	54	88	100.0	480	936
D14F54N106M4Y	14.0	54	106	113.0	480	1057
D14F54N120M4Y	14.0	54	120	140.0	480	1144

WattDensity: 6

Catalog Number	Duct Diameter	Quantity of Elements	Length	kW	Volts	Weight
D12F48N33M2S	12.0	48	33	24.0	240	516
D12F48N33M4S	12.0	48	33	24.0	480	516
D12F48N40M2S	12.0	48	40	30.0	240	556
D12F48N40M4S	12.0	48	40	30.0	480	556
D12F48N48M2S	12.0	48	48	36.0	240	602
D12F48N48M4S	12.0	48	48	36.0	480	602
D12F48N52M2S	12.0	48	52	40.0	240	626
D12F48N52M4S	12.0	48	52	40.0	480	626
D12F48N64M2S	12.0	48	64	51.0	240	710
D12F48N64M4S	12.0	48	64	51.0	480	710
D12F48N77M2S	12.0	48	77	60.0	240	770
D12F48N77M4S	12.0	48	77	60.0	480	770
D12F48N88M4S	12.0	48	88	67.0	480	833
D12F48N106M4S	12.0	48	106	76.0	480	940
D12F48N120M4S	12.0	48	120	94.0	480	1017

11/19/2001

Page 7 of 10

Hi-Temp Duct Heaters

Type D

WattDensity: 6

Catalog Number	Duct Diameter	Quantity of Elements	Length	kW	Volts	Weight
D14F60N33M2S	14.0	60	33	30.0	240	604
D14F60N33M4S	14.0	60	33	30.0	480	604
D14F60N40M2S	14.0	60	40	38.0	240	654
D14F60N40M4S	14.0	60	40	38.0	480	654
D14F60N48M2S	14.0	60	48	45.0	240	712
D14F60N48M4S	14.0	60	48	45.0	480	712
D14F60N52M2S	14.0	60	52	50.0	240	740
D14F60N52M4S	14.0	60	52	50.0	480	740
D14F60N64M2S	14.0	60	64	64.0	240	846
D14F60N64M4S	14.0	60	64	64.0	480	846
D14F60N77M2S	14.0	60	77	75.0	240	920
D14F60N77M4S	14.0	60	77	75.0	480	920
D14F60N88M4S	14.0	60	88	84.0	480	1000
D14F60N106M4S	14.0	60	106	95.0	480	1134
D14F60N120M4S	14.0	60	120	117.0	480	1230
D14F72N33M4S	14.0	72	33	36.0	480	651
D14F72N33M2S	14.0	72	33	36.0	480	651
D14F72N40M2S	14.0	72	40	45.0	480	712
D14F72N40M4S	14.0	72	40	45.0	480	712
D14F72N48M2S	14.0	72	48	54.0	480	781
D14F72N48M4S	14.0	72	48	54.0	480	781
D14F72N52M4S	14.0	72	52	60.0	480	815
D14F72N52M2S	14.0	72	52	60.0	480	815
D14F72N64M2S	14.0	72	64	77.0	480	942
D14F72N64M4S	14.0	72	64	77.0	480	942
D14F72N77M4S	14.0	72	77	90.0	480	1031
D14F72N77M2S	14.0	72	77	90.0	480	1031
D14F72N88M4S	14.0	72	88	101.0	480	1126
D14F72N106M4S	14.0	72	106	113.0	480	1288
D14F72N120M4S	14.0	72	120	140.0	480	1403

WattDensity: 4

Catalog Number	Duct Diameter	Quantity of Elements	Length	kW	Volts	Weight
D12F48N52H4SY	12.0	48	52	24.0	480	626
D12F48N61H4SY	12.0	48	61	33.0	480	677
D12F48N78H4SY	12.0	48	78	45.0	480	775
D12F48N106H4SY	12.0	48	106	56.0	480	937
D12F48N120H4SY	12.0	48	120	60.0	480	1017
D12F48N140H4SY	12.0	48	140	70.0	480	1132
D12F48N160H4SY	12.0	48	160	80.0	480	1248
D12F48N180H4SY	12.0	48	180	90.0	480	1363
D14F54N52H4SY	14.0	54	52	27.0	480	703
D14F54N61H4SY	14.0	54	61	38.0	480	761
D14F54N78H4SY	14.0	54	78	50.0	480	871
D14F54N88H4SY	14.0	54	88	56.0	480	936
D14F54N106H4SY	14.0	54	106	63.0	480	1053
D14F54N120H4SY	14.0	54	120	68.0	480	1144

Hi-Temp Duct Heaters

Type D

WattDensity: 4

Catalog Number	Duct Diameter	Quantity of Elements	Length	kW	Volts	Weight
D14F54N140H4SY	14.0	54	140	79.0	480	1273
D14F54N160H4SY	14.0	54	160	91.0	480	1403
D14F54N180H4SY	14.0	54	180	102.0	480	1532
D14F60N52H4SY	14.0	60	52	30.0	480	740
D14F60N61H4SY	14.0	60	61	42.0	480	805
D14F60N78H4SY	14.0	60	78	56.0	480	928
D14F60N88H4SY	14.0	60	88	63.0	480	1000
D14F60N106H4SY	14.0	60	106	70.0	480	1129
D14F60N120H4SY	14.0	60	120	75.0	480	1230
D14F60N140H4SY	14.0	60	140	88.0	480	1374
D14F60N160H4SY	14.0	60	160	101.0	480	1518
D14F60N180H4SY	14.0	60	180	113.0	480	1662
D14F72N52H4SY	14.0	72	52	36.0	480	815
D14F72N61H4SY	14.0	72	61	50.0	480	893
D14F72N78H4SY	14.0	72	78	67.0	480	1040
D14F72N88H4SY	14.0	72	88	75.0	480	1126
D14F72N106H4SY	14.0	72	106	83.0	480	1282
D14F72N120H4SY	14.0	72	120	90.0	480	1403
D14F72N140H4SY	14.0	72	140	105.0	480	1576
D14F72N160H4SY	14.0	72	160	121.0	480	1748
D14F72N180H4SY	14.0	72	180	135.0	480	1921
D16F84N106H4SY	16.0	84	106	97.0	480	1542
D16F84N120H4SY	16.0	84	120	105.0	480	1684
D16F84N140H4SY	16.0	84	140	123.0	480	1885
D16F84N160H4SY	16.0	84	160	141.0	480	2087
D16F84N180H4SY	16.0	84	180	158.0	480	2288
D18N108N106H4SY	18.0	108	106	125.0	480	1940
D18N108N120H4SY	18.0	108	120	135.0	480	2121
D18N108N140H4SY	18.0	108	140	158.0	480	2380
D18N108N160H4SY	18.0	108	160	182.0	480	2640
D18N108N180H4SY	18.0	108	180	203.0	480	2899
D20F144N106H4SY	20.0	144	106	168.0	480	2566
D20F144N120H4SY	20.0	144	120	180.0	480	2808
D20F144N140H4SY	20.0	144	140	210.0	480	3153
D20F144N160H4SY	20.0	144	160	242.0	480	3499
D20F144N180H4SY	20.0	144	180	270.0	480	3844
D24F192N106H4SY	24.0	192	106	222.0	480	3492
D24F192N120H4SY	24.0	192	120	240.0	480	3815
D24F192N140H4SY	24.0	192	140	280.0	480	4276
D24F192N160H4SY	24.0	192	160	323.0	480	4736
D24F192N180H4SY	24.0	192	180	360.0	480	5197

WattDensity: 2

Catalog Number	Duct Diameter	Quantity of Elements	Length	kW	Volts	Weight
D12F48N33M4SY	12.0	48	33	8.0	480	516
D12F48N40M4SY	12.0	48	40	10.0	480	556
D12F48N48M4SY	12.0	48	48	12.0	480	602

Hi-Temp Duct Heaters

Type D

WattDensity: 2

Catalog Number	Duct Diameter	Quantity of Elements	Length	kW	Volts	Weight
D12F48N52M4SY	12.0	48	52	13.0	480	626
D12F48N64M4SY	12.0	48	64	17.0	480	710
D12F48N77M4SY	12.0	48	77	20.0	480	770
D12F48N88M4SY	12.0	48	88	22.0	480	833
D12F48N106M4SY	12.0	48	106	25.0	480	940
D12F48N120M4SY	12.0	48	120	31.0	480	1017
D14F60N33M4SY	14.0	60	33	10.0	480	604
D14F60N40M4SY	14.0	60	40	12.5	480	654
D14F60N48M4SY	14.0	60	48	15.0	480	712
D14F60N52M4SY	14.0	60	52	17.0	480	740
D14F60N64M4SY	14.0	60	64	22.0	480	846
D14F60N77M4SY	14.0	60	77	25.0	480	920
D14F60N88M4SY	14.0	60	88	28.0	480	1000
D14F60N106M4SY	14.0	60	106	32.0	480	1134
D14F60N120M4SY	14.0	60	120	39.0	480	1230
D14F72N33M4SY	14.0	72	33	12.0	480	651
D14F72N40M4SY	14.0	72	40	15.0	480	712
D14F72N48M4SY	14.0	72	48	18.0	480	781
D14F72N52M4SY	14.0	72	52	20.0	480	815
D14F72N64M4SY	14.0	72	64	26.0	480	942
D14F72N77M4SY	14.0	72	77	30.0	480	1031
D14F72N88M4SY	14.0	72	88	34.0	480	1126
D14F72N106M4SY	14.0	72	106	38.0	480	1288
D14F72N120M4SY	14.0	72	120	47.0	480	1403

GAUMER PROCESS

HEATERS
SYSTEMS
CONTROLS

APPLICATIONS

The Gaumer Electric Process Type G Duct Heater is designed for rugged duty where air must be heated to temperatures higher than what would be normal for comfort heating. Temperatures as high as 1100° F are possible if the heater is properly selected. Contact Gaumer Process for assistance in selecting Type G Duct Heaters.

HEATER SELECTION

Single Row Coil (1G-----)

For heating large quantities of re-circulated air thru a very small temperature rise (to 10 degrees) resulting in a low pressure drop and low heater face velocity (300-1000 fpm).

Two or Three Row Coil (2G-----) or (3G-----)

For heating large quantities of re-circulated air thru a temperature rise (10 to 50 degrees) resulting in a normal pressure drop and average heater face velocity (500-2000 fpm).

Three Row or Four Row Coil (3G-----) or (4G-----)

For average quantities of air thru a normal temperature rise (50-100 degrees) resulting in a low pressure drop and low heater face velocity (500-2000 fpm).

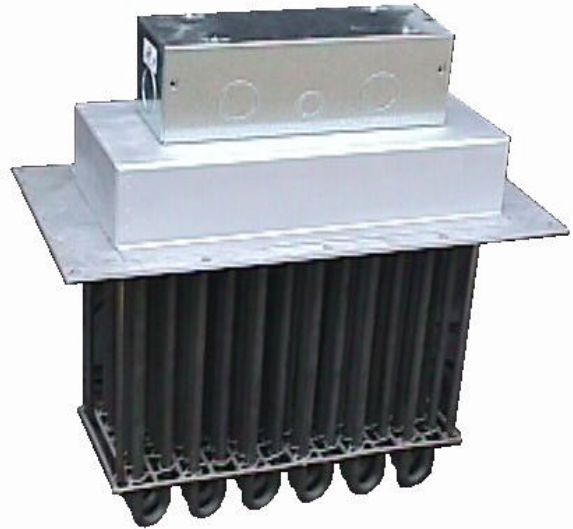
6, 8, 12 Row Coil (6G-----), (8G-----), (12G-----)

For average quantities of air thru a higher than normal temperature rise (100-600 degrees).

SPECIAL FEATURES

- INS Insulated Section on Element Side of Flange
- SPT Flange Attached Spacer Assembly
- SS Stainless Steel Flange
- W Wattage Other Than Cataloged
- V Voltage Other Than Cataloged
- ER Explosion Resistant Construction
- LT Weatherproof Construction
- J(K) Additional Sheath Sensing Thermocouple for Overheat Protection
- HTR Space Heater Mounted in Terminal Enclosure
- X Special Feature not Listed Above

Hi-Temp Duct - Type G 1 kW - 10 kW



STANDARD FEATURES

Heating Elements

- Incoloy 800 Sheath Material
- Heavy Wall (.035 in.)
- Large Diameter (.475 in.)
- Sealed Terminals

Standard Features

- High Temp Alloy Spacers
- Gaumer "Evenflow" Configuration
- Type K TC for Overheat Protection
- Insulated Terminal Section

Construction

- Welded Heating Elements
- Welded Spacers

Installation

- Flying Leadwires Provided
- Only Standard Materials Needed in Field

Service

- Wiring Modifiable in Field
- Assembly Repairable at Factory

Hi-Temp Duct - Type G

1 kW - 10 kW

Watt Density: 23

Gaumer Catalog Number	kW:	Volts:	Phase	Quantity Circuits	Total Amps	Face Area (Sq. Ft.)	Heater Duct Dim. Ht.x Lgth.(Inches)	Depth (Inches)	Heater Flange Ht.x Wdth.(Inches)
1G3N13M1	2.2	120	1	1	18.3	0.40	4 X 14.5	2.75	8 X 6.75
1G3N13M2p1	2.2	240	1	1	9.2	0.40	4 X 14.5	2.75	8 X 6.75
1G3N13M2	2.2	240	3	1	5.3	0.40	4 X 14.5	2.75	8 X 6.75
1G3N13M4p1	2.2	480	1	1	4.6	0.40	4 X 14.5	2.75	8 X 6.75
1G3N13M4	2.2	480	3	1	2.6	0.40	4 X 14.5	2.75	8 X 6.75
1G3N18M2p1	3.0	240	1	1	12.5	0.54	4 X 19.5	2.75	8 X 6.75
1G3N18M2	3.0	240	3	1	7.2	0.54	4 X 19.5	2.75	8 X 6.75
1G3N18M4p1	3.0	480	1	1	6.3	0.54	4 X 19.5	2.75	8 X 6.75
1G3N18M4	3.0	480	3	1	3.6	0.54	4 X 19.5	2.75	8 X 6.75
1G3N20M2p1	3.8	240	1	1	15.8	0.60	4 X 21.5	2.75	8 X 6.75
1G3N20M2	3.8	240	3	1	9.1	0.60	4 X 21.5	2.75	8 X 6.75
1G3N20M4p1	3.8	480	1	1	7.9	0.60	4 X 21.5	2.75	8 X 6.75
1G3N20M4	3.8	480	3	1	4.6	0.60	4 X 21.5	2.75	8 X 6.75
2G3N13M1	4.4	120	1	1	36.7	0.40	4 X 14.5	5.5	8 X 9.5
2G3N13M2p1	4.4	240	1	1	18.3	0.40	4 X 14.5	5.5	8 X 9.5
2G3N13M2	4.4	240	3	1	10.6	0.40	4 X 14.5	5.5	8 X 9.5
1G6N13M2	4.4	240	3	1	10.6	0.76	7.5 X 14.5	2.75	6.75 X 6.75
2G3N13M4p1	4.4	480	1	1	9.2	0.40	4 X 14.5	5.5	8 X 9.5
2G3N13M4	4.4	480	3	1	5.3	0.40	4 X 14.5	5.5	8 X 9.5
1G6N13M4	4.4	480	3	1	5.3	0.76	7.5 X 14.5	2.75	6.75 X 6.75
2G3N18M2p1	6.0	240	1	1	25.0	0.54	4 X 19.5	5.5	8 X 9.5
1G6N18M2p1	6.0	240	1	1	25.0	1.02	7.5 X 19.5	2.75	11.5 X 6.75
2G3N18M2	6.0	240	3	1	14.4	0.54	4 X 19.5	5.5	8 X 9.5
1G6N18M2	6.0	240	3	1	14.4	1.02	7.5 X 19.5	2.75	11.5 X 6.75
2G3N18M4p1	6.0	480	1	1	12.5	0.54	4 X 19.5	5.5	8 X 9.5
1G6N18M4p1	6.0	480	1	1	12.5	1.02	7.5 X 19.5	2.75	11.5 X 6.75
2G3N18M4	6.0	480	3	1	7.2	0.54	4 X 19.5	5.5	8 X 9.5
1G6N18M4	6.0	480	3	1	7.2	1.02	7.5 X 19.5	2.75	11.5 X 6.75
3G3N13M1	6.6	120	1	3	55.0	0.40	4 X 14.5	8.25	8 X 12.25
3G3N13M2p1	6.6	240	1	1	27.5	0.40	4 X 14.5	8.25	8 X 12.25
3G3N13M2	6.6	240	3	1	15.9	0.40	4 X 14.5	8.25	8 X 12.25
3G3N13M4p1	6.6	480	1	1	13.8	0.40	4 X 14.5	8.25	8 X 12.25
3G3N13M4	6.6	480	3	1	7.9	0.40	4 X 14.5	8.25	8 X 12.25
1G6N20M2p1	7.5	240	1	1	31.3	1.12	7.5 X 21.5	2.75	11.5 X 6.75
1G6N20M2	7.5	240	3	1	18.0	1.12	7.5 X 21.5	2.75	11.5 X 6.75
1G6N20M4p1	7.5	480	1	1	15.6	1.12	7.5 X 21.5	2.75	11.5 X 6.75
1G6N20M4	7.5	480	3	1	9.0	1.12	7.5 X 21.5	2.75	11.5 X 6.75
2G3N20M2p1	7.6	240	1	1	31.7	0.60	4 X 21.5	5.5	8 X 9.5
2G3N20M2	7.6	240	3	1	18.3	0.60	4 X 21.5	5.5	8 X 9.5
2G3N20M4p1	7.6	480	1	1	15.8	0.60	4 X 21.5	5.5	8 X 9.5
2G3N20M4	7.6	480	3	1	9.1	0.60	4 X 21.5	5.5	8 X 9.5
4G3N13M1	8.8	120	1	2	73.3	0.40	4 X 14.5	11	8 X 15
4G3N13M2p1	8.8	240	1	1	36.7	0.40	4 X 14.5	11	8 X 15
4G3N13M2	8.8	240	3	1	21.2	0.40	4 X 14.5	11	8 X 15
2G6N13M2	8.8	240	3	1	20.4	0.76	7.5 X 14.5	5.5	11.5 X 9.5
4G3N13M4p1	8.8	480	1	1	18.3	0.40	4 X 14.5	11	8 X 15
4G3N13M4	8.8	480	3	1	10.6	0.40	4 X 14.5	11	8 X 15
2G6N13M4	8.8	480	3	1	10.2	0.76	7.5 X 14.5	5.5	11.5 X 9.5

Hi-Temp Duct - Type G

1 kW - 10 kW

Watt Density: 23

Gaumer Catalog Number	kW:	Volts:	Phase	Quantity Circuits	Total Amps	Face Area (Sq. Ft.)	Heater Duct Dim. Ht.x Lgth.(Inches)	Depth (Inches)	Heater Flange Ht.x Wdth.(Inches)
3G3N18M2p1	9.0	240	1	1	37.5	0.54	4 X 19.5	8.25	8 X 12.25
1G6N25M2p1	9.0	240	1	1	37.5	1.38	7.5 X 26.5	2.75	11.5 X 6.75
3G3N18M2	9.0	240	3	1	21.7	0.54	4 X 19.5	8.25	8 X 12.25
1G6N25M2	9.0	240	3	1	21.7	1.38	7.5 X 26.5	2.75	11.5 X 6.75
3G3N18M4p1	9.0	480	1	1	18.8	0.54	4 X 19.5	8.25	8 X 12.25
1G6N25M4p1	9.0	480	1	1	18.8	1.38	7.5 X 26.5	2.75	11.5 X 6.75
3G3N18M4	9.0	480	3	1	10.8	0.54	4 X 19.5	8.25	8 X 12.25
1G6N25M4	9.0	480	3	1	10.8	1.38	7.5 X 26.5	2.75	11.5 X 6.75

Hi-Temp Duct - Type G

1 kW - 10 kW

Watt Density: 20

Gaumer Catalog Number	kW:	Volts:	Phase	Quantity Circuits	Total Amps	Face Area (Sq. Ft.)	Heater Duct Dim. Ht.x Lgth.(Inches)	Depth (Inches)	Heater Flange Ht.x Wdth.(Inches)
1G3N18B2Y	2.7	240	3	1	6.5	0.54	4 X 19.5	2.75	8 X 6.75
1G3N18B4Y	2.7	480	3	1	3.2	0.54	4 X 19.5	2.75	8 X 6.75
1G3N20B2Y	2.9	240	3	1	7.0	0.60	4 X 21.5	2.75	8 X 6.75
1G3N20B4Y	2.9	480	3	1	3.5	0.60	4 X 21.5	2.75	8 X 6.75
1G6N18B2Y	5.3	240	3	1	12.8	1.02	7.5 X 19.5	2.75	11.5 X 6.75
1G6N18B4Y	5.3	480	3	1	6.4	1.02	7.5 X 19.5	2.75	11.5 X 6.75
2G3N18B2Y	5.4	240	3	1	13.0	0.54	4 X 19.5	5.5	8 X 9.5
2G3N18B4Y	5.4	480	3	1	6.5	0.54	4 X 19.5	5.5	8 X 9.5
2G3N20B2Y	5.8	240	3	1	14.0	0.60	4 X 21.5	5.5	8 X 9.5
1G6N20B2Y	5.8	240	3	1	14.0	1.12	7.5 X 21.5	2.75	11.5 X 6.75
2G3N20B4Y	5.8	480	3	1	7.0	0.60	4 X 21.5	5.5	8 X 9.5
1G6N20B4Y	5.8	480	3	1	7.0	1.12	7.5 X 21.5	2.75	11.5 X 6.75
1G6N25B2Y	8.0	240	3	1	19.2	1.38	7.5 X 26.5	2.75	11.5 X 6.75
3G3N20B4Y	8.0	480	3	1	10.5	0.60	4 X 21.5	8.25	8 X 12.25
1G6N25B4Y	8.0	480	3	1	9.6	1.38	7.5 X 26.5	2.75	11.5 X 6.75
3G3N18B2Y	8.1	240	3	1	19.5	0.54	4 X 19.5	8.25	8 X 12.25
3G3N18B4Y	8.1	480	3	1	9.7	0.54	4 X 19.5	8.25	8 X 12.25
3G3N20B2Y	8.7	240	3	1	20.9	0.60	4 X 21.5	8.25	8 X 12.25
1G6N33B2Y	10.0	240	3	1	24.1	1.80	7.5 X 34.5	2.75	11.5 X 6.75
1G6N33B4Y	10.0	480	3	1	12.0	1.80	7.5 X 34.5	2.75	11.5 X 6.75

Hi-Temp Duct - Type G

1 kW - 10 kW

Watt Density: 15

Gaumer Catalog Number	kW:	Volts:	Phase	Quantity Circuits	Total Amps	Face Area (Sq. Ft.)	Heater Duct Dim. Ht.x Lgth.(Inches)	Depth (Inches)	Heater Flange Ht.x Wdth.(Inches)
1G3N13H2Y	1.5	240	3	1	3.6	0.40	4 X 14.5	2.75	8 X 6.75
1G3N13H4Y	1.5	480	3	1	1.8	0.40	4 X 14.5	2.75	8 X 6.75
1G3N18B2D	2.0	120	1	1	16.7	0.54	4 X 19.5	2.75	8 X 6.75
1G3N18B4Dp1	2.0	240	1	1	8.3	0.54	4 X 19.5	2.75	8 X 6.75
1G3N18H2Y	2.0	240	3	1	4.8	0.54	4 X 19.5	2.75	8 X 6.75
1G3N18B4D	2.0	240	3	1	8.3	0.54	4 X 19.5	2.75	8 X 6.75
1G3N18H4Y	2.0	480	3	1	2.4	0.54	4 X 19.5	2.75	8 X 6.75
1G3N20B4Dp1	2.2	240	1	1	9.1	0.60	4 X 21.5	2.75	8 X 6.75
1G3N20B4D	2.2	240	3	1	9.1	0.60	4 X 21.5	2.75	8 X 6.75
1G3N20B2D	2.2	120	1	1	18.3	0.60	4 X 21.5	2.75	8 X 6.75
1G3N20H2Y	2.5	240	3	1	6.0	0.60	4 X 21.5	2.75	8 X 6.75
1G3N20H4Y	2.5	480	3	1	3.0	0.60	4 X 21.5	2.75	8 X 6.75
2G3N13H2Y	3.0	240	3	1	7.2	0.40	4 X 14.5	5.5	8 X 9.5
1G6N13H2Y	3.0	240	3	1	7.2	0.76	7.5 X 14.5	2.75	11.5 X 6.75
2G3N13H4Y	3.0	480	3	1	3.6	0.40	4 X 14.5	5.5	8 X 9.5
1G6N13H4Y	3.0	480	3	1	3.6	0.76	7.5 X 14.5	2.75	11.5 X 6.75
2G3N18B2D	4.0	120	1	1	33.3	0.54	4 X 19.5	5.5	8 X 9.5
2G3N18B4Dp1	4.0	240	1	1	16.7	0.54	4 X 19.5	5.5	8 X 9.5
1G6N18B2Sp1	4.0	240	1	1	16.7	1.02	7.5 X 19.5	2.75	11.5 X 6.75
2G3N18B4D	4.0	240	3	1	16.7	0.54	4 X 19.5	5.5	8 X 9.5
2G3N18H2Y	4.0	240	3	1	9.6	0.54	4 X 19.5	5.5	8 X 9.5
1G6N18H2Y	4.0	240	3	1	9.6	1.02	7.5 X 19.5	2.75	11.5 X 6.75
1G6N18B2S	4.0	240	3	1	9.6	1.02	7.5 X 19.5	2.75	11.5 X 6.75
1G6N18B4Sp1	4.0	480	1	1	8.3	1.02	7.5 X 19.5	2.75	11.5 X 6.75
2G3N18H4Y	4.0	480	3	1	4.8	0.54	4 X 19.5	5.5	8 X 9.5
1G6N18B4S	4.0	480	3	1	4.8	1.02	7.5 X 19.5	2.75	11.5 X 6.75
1G6N18H4Y	4.0	480	3	1	4.8	1.02	7.5 X 19.5	2.75	11.5 X 6.75
2G3N20B4Dp1	4.3	240	1	1	18.1	0.60	4 X 21.5	5.5	8 X 9.5
2G3N20B4D	4.3	240	3	1	18.1	0.60	4 X 21.5	5.5	8 X 9.5
2G3N20B2D	4.4	120	1	1	36.7	0.60	4 X 21.5	5.5	8 X 9.5
1G6N20B2Sp1	4.4	240	1	1	18.3	1.12	7.5 X 21.5	2.75	11.5 X 6.75
1G6N20B2S	4.4	240	3	1	10.6	1.12	7.5 X 21.5	2.75	11.5 X 6.75
1G6N20B4Sp1	4.4	480	1	1	9.2	1.12	7.5 X 21.5	2.75	11.5 X 6.75
1G6N20B4S	4.4	480	3	1	5.3	1.12	7.5 X 21.5	2.75	11.5 X 6.75
3G3N13H2Y	4.5	240	3	1	10.8	0.40	4 X 14.5	8.25	8 X 12.25
3G3N13H4Y	4.5	480	3	1	5.4	0.40	4 X 14.5	8.25	8 X 12.25
2G3N20H2Y	5.0	240	3	1	12.0	0.60	4 X 21.5	5.5	8 X 9.5
1G6N20H2Y	5.0	240	3	1	12.0	1.12	7.5 X 21.5	2.75	11.5 X 6.75
2G3N20H4Y	5.0	480	3	1	6.0	0.60	4 X 21.5	5.5	8 X 9.5
1G6N20H4Y	5.0	480	3	1	6.0	1.12	7.5 X 21.5	2.75	11.5 X 6.75
3G3N18B2D	6.0	120	1	3	50.0	0.54	4 X 19.5	8.25	8 X 12.25
3G3N18B4Dp1	6.0	240	1	1	25.0	0.54	4 X 19.5	8.25	8 X 12.25
1G6N25B2Sp1	6.0	240	1	1	25.0	1.38	7.5 X 26.5	2.75	11.5 X 6.75
4G3N13H2Y	6.0	240	3	1	14.4	0.40	4 X 14.5	11	8 X 15
3G3N18H2Y	6.0	240	3	1	14.4	0.54	4 X 19.5	8.25	8 X 12.25
3G3N18B4D	6.0	240	3	1	25.0	0.54	4 X 19.5	8.25	8 X 12.25
2G6N13H2Y	6.0	240	3	1	14.4	0.76	7.5 X 14.5	5.5	11.5 X 9.5
1G6N25B2S	6.0	240	3	1	14.4	1.38	7.5 X 26.5	2.75	11.5 X 6.75

Hi-Temp Duct - Type G

1 kW - 10 kW

Watt Density: 15

Gaumer Catalog Number	kW:	Volts:	Phase	Quantity Circuits	Total Amps	Face Area (Sq. Ft.)	Heater Duct Dim. Ht.x Lgth.(Inches)	Depth (Inches)	Heater Flange Ht.x Wdth.(Inches)
1G6N25H2Y	6.0	240	3	1	14.4	1.38	7.5 X 26.5	2.75	11.5 X 6.75
1G12N13H2Y	6.0	240	3	1	14.4	1.51	15 X 14.5	2.75	19 X 6.75
1G6N25B4Sp1	6.0	480	1	1	12.5	1.38	7.5 X 26.5	2.75	11.5 X 6.75
4G3N13H4Y	6.0	480	3	1	7.2	0.40	4 X 14.5	11	8 X 15
3G3N18H4Y	6.0	480	3	1	7.2	0.54	4 X 19.5	8.25	8 X 12.25
2G6N13H4Y	6.0	480	3	1	7.2	0.76	7.5 X 14.5	5.5	11.5 X 9.5
1G6N25B4S	6.0	480	3	1	7.2	1.38	7.5 X 26.5	2.75	11.5 X 6.75
1G6N25H4Y	6.0	480	3	1	7.2	1.38	7.5 X 26.5	2.75	11.5 X 6.75
1G12N13H4Y	6.0	480	3	1	7.2	1.51	15 X 14.5	2.75	19 X 6.75
3G3N20B4Dp1	6.5	240	1	1	27.2	0.60	4 X 21.5	8.25	8 X 12.25
3G3N20B4D	6.5	240	3	1	27.2	0.60	4 X 21.5	8.25	8 X 12.25
3G3N20B2D	6.6	120	1	3	55.0	0.60	4 X 21.5	8.25	8 X 12.25
1G6N33B2Sp1	7.5	240	1	1	31.3	1.80	7.5 X 34.5	2.75	11.5 X 6.75
3G3N20H2Y	7.5	240	3	1	18.0	0.60	4 X 21.5	8.25	8 X 12.25
1G6N33B2S	7.5	240	3	1	18.0	1.80	7.5 X 34.5	2.75	11.5 X 6.75
1G6N33B4Sp1	7.5	480	1	1	15.6	1.80	7.5 X 34.5	2.75	11.5 X 6.75
3G3N20H4Y	7.5	480	3	1	9.0	0.60	4 X 21.5	8.25	8 X 12.25
1G6N33B4S	7.5	480	3	1	9.0	1.80	7.5 X 34.5	2.75	11.5 X 6.75
4G3N18B2D	8.0	120	1	2	66.7	0.54	4 X 19.5	11	8 X 15
4G3N18B4Dp1	8.0	240	1	1	33.3	0.54	4 X 19.5	11	8 X 15
2G6N18B2Sp1	8.0	240	1	1	33.3	1.02	7.5 X 19.5	5.5	11.5 X 9.5
4G3N18B4D	8.0	240	3	1	33.3	0.54	4 X 19.5	11	8 X 15
4G3N18H2Y	8.0	240	3	1	19.2	0.54	4 X 19.5	11	8 X 15
2G6N18B2S	8.0	240	3	1	19.2	1.02	7.5 X 19.5	5.5	11.5 X 9.5
2G6N18H2Y	8.0	240	3	1	19.2	1.02	7.5 X 19.5	5.5	11.5 X 9.5
1G6N33H2Y	8.0	240	3	1	19.2	1.80	7.5 X 34.5	2.75	11.5 X 6.75
1G12N18H2Y	8.0	240	3	1	19.2	2.03	15 X 19.5	2.75	19 X 6.75
1G12N18B2S	8.0	240	3	1	19.2	2.03	15 X 19.5	2.75	19 X 6.75
2G6N18B4Sp1	8.0	480	1	1	16.7	1.02	7.5 X 19.5	5.5	11.5 X 9.5
4G3N18H4Y	8.0	480	3	1	9.6	0.54	4 X 19.5	11	8 X 15
2G6N18B4S	8.0	480	3	1	9.6	1.02	7.5 X 19.5	5.5	11.5 X 9.5
2G6N18H4Y	8.0	480	3	1	9.6	1.02	7.5 X 19.5	5.5	11.5 X 9.5
1G6N33H4Y	8.0	480	3	1	9.6	1.80	7.5 X 34.5	2.75	11.5 X 6.75
1G12N18H4Y	8.0	480	3	1	9.6	2.03	15 X 19.5	2.75	19 X 6.75
1G12N18B4S	8.0	480	3	1	9.6	2.03	15 X 19.5	2.75	19 X 6.75
4G3N20B4Dp1	8.7	240	1	1	36.3	0.60	4 X 21.5	11	8 X 15
4G3N20B4D	8.7	240	3	1	36.3	0.60	4 X 21.5	11	8 X 15
1G12N20B2S	8.7	240	3	1	20.9	2.24	15 X 21.5	2.75	19 X 6.75
1G12N20B4S	8.7	480	3	1	10.5	2.24	15 X 21.5	2.75	19 X 6.75
4G3N20B2D	8.8	120	1	2	73.3	0.60	4 X 21.5	11	8 X 15
2G6N20B2Sp1	8.8	240	1	1	36.7	1.12	7.5 X 21.5	5.5	11.5 X 9.5
2G6N20B2S	8.8	240	3	1	21.2	1.12	7.5 X 21.5	5.5	11.5 X 9.5
2G6N20B4Sp1	8.8	480	1	1	18.3	1.12	7.5 X 21.5	5.5	11.5 X 9.5
2G6N20B4S	8.8	480	3	1	10.6	1.12	7.5 X 21.5	5.5	11.5 X 9.5
6G3N13H2Y	9.0	240	3	1	21.7	0.40	4 X 14.5	16.5	8 X 20.5
3G6N13H2Y	9.0	240	3	1	21.7	0.76	7.5 X 14.5	8.25	11.5 X 12.25
1G18N13H2Y	9.0	240	3	1	21.7	2.27	22.5 X 14.5	2.75	26.5 X 6.75
6G3N13H4Y	9.0	480	3	1	10.8	0.40	4 X 14.5	16.5	8 X 20.5

Hi-Temp Duct - Type G

1 kW - 10 kW

Watt Density: 15

Gaumer Catalog Number	kW:	Volts:	Phase	Quantity Circuits	Total Amps	Face Area (Sq. Ft.)	Heater Duct Dim. Ht.x Lgth.(Inches)	Depth (Inches)	Heater Flange Ht.x Wdth.(Inches)
3G6N13H4Y	9.0	480	3	1	10.8	0.76	7.5 X 14.5	8.25	11.5 X 12.25
1G18N13H4Y	9.0	480	3	1	10.8	2.27	22.5 X 14.5	2.75	26.5 X 6.75
1G6N43B2Sp1	10.0	240	1	1	41.7	2.32	7.5 X 44.5	2.75	11.5 X 6.75
4G3N20H2Y	10.0	240	3	1	24.1	0.60	4 X 21.5	11	8 X 15
2G6N20H2Y	10.0	240	3	1	24.1	1.12	7.5 X 21.5	5.5	11.5 X 9.5
1G6N40H2Y	10.0	240	3	1	24.1	2.16	7.5 X 41.5	2.75	11.5 X 6.75
1G12N20H2Y	10.0	240	3	1	24.1	2.24	15 X 21.5	2.75	19 X 6.75
1G6N43B2S	10.0	240	3	1	24.1	2.32	7.5 X 44.5	2.75	11.5 X 6.75
1G6N43B4Sp1	10.0	480	1	1	20.8	2.32	7.5 X 44.5	2.75	11.5 X 6.75
4G3N20H4Y	10.0	480	3	1	12.0	0.60	4 X 21.5	11	8 X 15
2G6N20H4Y	10.0	480	3	1	12.0	1.12	7.5 X 21.5	5.5	11.5 X 9.5
1G6N40H4Y	10.0	480	3	1	12.0	2.16	7.5 X 41.5	2.75	11.5 X 6.75
1G12N20H4Y	10.0	480	3	1	12.0	2.24	15 X 21.5	2.75	19 X 6.75
1G6N43B4S	10.0	480	3	1	12.0	2.32	7.5 X 44.5	2.75	11.5 X 6.75

Hi-Temp Duct - Type G

1 kW - 10 kW

Watt Density: 12

Gaumer Catalog Number	kW:	Volts:	Phase	Quantity Circuits	Total Amps	Face Area (Sq. Ft.)	Heater Duct Dim. Ht.x Lgth.(Inches)	Depth (Inches)	Heater Flange Ht.x Wdth.(Inches)
1G3N13H2D	1.1	120	1	1	9.2	0.40	4 X 14.5	2.75	8 X 6.75
1G3N13H4Dp1	1.1	240	1	1	4.6	0.40	4 X 14.5	2.75	8 X 6.75
1G3N13H4D	1.1	240	3	1	2.6	0.40	4 X 14.5	2.75	8 X 6.75
1G3N18H2D	1.5	120	1	1	12.5	0.54	4 X 19.5	2.75	8 X 6.75
1G3N18H4Dp1	1.5	240	1	1	6.3	0.54	4 X 19.5	2.75	8 X 6.75
1G3N18H4D	1.5	240	3	1	3.6	0.54	4 X 19.5	2.75	8 X 6.75
1G3N20H4Dp1	1.9	240	1	1	7.8	0.60	4 X 21.5	2.75	8 X 6.75
1G3N20H4D	1.9	240	3	1	7.8	0.60	4 X 21.5	2.75	8 X 6.75
1G3N20H2D	1.9	120	1	1	15.8	0.60	4 X 21.5	2.75	8 X 6.75
2G3N13H2D	2.2	120	1	1	18.3	0.40	4 X 14.5	5.5	8 X 9.5
2G3N13H4Dp1	2.2	240	1	1	9.2	0.40	4 X 14.5	5.5	8 X 9.5
1G6N13H2Sp1	2.2	240	1	1	9.2	0.76	7.5 X 14.5	2.75	11.5 X 6.75
2G3N13H4D	2.2	240	3	1	5.3	0.40	4 X 14.5	5.5	8 X 9.5
1G6N13H2S	2.2	240	3	1	5.3	0.76	7.5 X 14.5	2.75	11.5 X 6.75
1G6N13H4Sp1	2.2	480	1	1	4.6	0.76	7.5 X 14.5	2.75	11.5 X 6.75
1G6N13H4S	2.2	480	3	1	2.6	0.76	7.5 X 14.5	2.75	11.5 X 6.75
2G3N18H2D	3.0	120	1	1	25.0	0.54	4 X 19.5	5.5	8 X 9.5
2G3N18H4Dp1	3.0	240	1	1	12.5	0.54	4 X 19.5	5.5	8 X 9.5
1G6N18H2Sp1	3.0	240	1	1	12.5	1.02	7.5 X 19.5	2.75	11.5 X 6.75
2G3N18H4D	3.0	240	3	1	7.2	0.54	4 X 19.5	5.5	8 X 9.5
1G6N18H2S	3.0	240	3	1	7.2	1.02	7.5 X 19.5	2.75	11.5 X 6.75
1G6N18H4Sp1	3.0	480	1	1	6.3	1.02	7.5 X 19.5	2.75	11.5 X 6.75
1G6N18H4S	3.0	480	3	1	3.6	1.02	7.5 X 19.5	2.75	11.5 X 6.75
3G3N13H2D	3.3	120	1	1	27.5	0.40	4 X 14.5	8.25	8 X 12.25
3G3N13H4Dp1	3.3	240	1	1	13.8	0.40	4 X 14.5	8.25	8 X 12.25
3G3N13H4D	3.3	240	3	1	7.9	0.40	4 X 14.5	8.25	8 X 12.25
2G3N20H4Dp1	3.8	240	1	1	15.6	0.60	4 X 21.5	5.5	8 X 9.5
2G3N20H4D	3.8	240	3	1	15.6	0.60	4 X 21.5	5.5	8 X 9.5
2G3N20H2D	3.8	120	1	1	31.7	0.60	4 X 21.5	5.5	8 X 9.5
1G6N20H2Sp1	3.8	240	1	1	15.8	1.12	7.5 X 21.5	2.75	11.5 X 6.75
1G6N20H2S	3.8	240	3	1	9.1	1.12	7.5 X 21.5	2.75	11.5 X 6.75
1G6N20H4Sp1	3.8	480	1	1	7.9	1.12	7.5 X 21.5	2.75	11.5 X 6.75
1G6N20H4S	3.8	480	3	1	4.6	1.12	7.5 X 21.5	2.75	11.5 X 6.75
4G3N13H2D	4.4	120	1	1	36.7	0.40	4 X 14.5	11	8 X 15
4G3N13H4Dp1	4.4	240	1	1	18.3	0.40	4 X 14.5	11	8 X 15
2G6N13H2Sp1	4.4	240	1	1	18.3	0.76	7.5 X 14.5	5.5	11.5 X 9.5
4G3N13H4D	4.4	240	3	1	10.6	0.40	4 X 14.5	11	8 X 15
2G6N13H2S	4.4	240	3	1	10.6	0.76	7.5 X 14.5	5.5	11.5 X 9.5
2G6N13H4Sp1	4.4	480	1	1	9.2	0.76	7.5 X 14.5	5.5	11.5 X 9.5
2G6N13H4S	4.4	480	3	1	5.3	0.76	7.5 X 14.5	5.5	11.5 X 9.5
3G3N18H2D	4.5	120	1	1	37.5	0.54	4 X 19.5	8.25	8 X 12.25
3G3N18H4Dp1	4.5	240	1	1	18.8	0.54	4 X 19.5	8.25	8 X 12.25
1G6N25H2Sp1	4.5	240	1	1	18.8	1.38	7.5 X 26.5	2.75	11.5 X 6.75
3G3N18H4D	4.5	240	3	1	10.8	0.54	4 X 19.5	8.25	8 X 12.25
1G6N25H2S	4.5	240	3	1	10.8	1.38	7.5 X 26.5	2.75	11.5 X 6.75
1G12N13H2S	4.5	240	3	1	10.8	1.51	15 X 14.5	2.75	19 X 6.75
1G6N25H4Sp1	4.5	480	1	1	9.4	1.38	7.5 X 26.5	2.75	11.5 X 6.75
1G6N25H4S	4.5	480	3	1	5.4	1.38	7.5 X 26.5	2.75	11.5 X 6.75

Hi-Temp Duct - Type G

1 kW - 10 kW

Watt Density: 12

Gaumer Catalog Number	kW:	Volts:	Phase	Quantity Circuits	Total Amps	Face Area (Sq. Ft.)	Heater Duct Dim. Ht.x Lgth.(Inches)	Depth (Inches)	Heater Flange Ht.x Wdth.(Inches)
1G12N13H4S	4.5	480	3	1	5.4	1.51	15 X 14.5	2.75	19 X 6.75
3G3N20H4Dp1	5.6	240	1	1	23.4	0.60	4 X 21.5	8.25	8 X 12.25
3G3N20H4D	5.6	240	3	1	23.4	0.60	4 X 21.5	8.25	8 X 12.25
3G3N20H2D	5.7	120	1	1	47.5	0.60	4 X 21.5	8.25	8 X 12.25
4G3N18H2D	6.0	120	1	2	50.0	0.54	4 X 19.5	11	8 X 15
4G3N18H4Dp1	6.0	240	1	1	25.0	0.54	4 X 19.5	11	8 X 15
2G6N18H2Sp1	6.0	240	1	1	25.0	1.02	7.5 X 19.5	5.5	11.5 X 9.5
1G6N33H2Sp1	6.0	240	1	1	25.0	1.80	7.5 X 34.5	2.75	11.5 X 6.75
4G3N18H4D	6.0	240	3	1	14.4	0.54	4 X 19.5	11	8 X 15
2G6N18H2S	6.0	240	3	1	14.4	1.02	7.5 X 19.5	5.5	11.5 X 9.5
1G6N33H2S	6.0	240	3	1	14.4	1.80	7.5 X 34.5	2.75	11.5 X 6.75
1G12N18H2S	6.0	240	3	1	14.4	2.03	15 X 19.5	2.75	19 X 6.75
2G6N18H4Sp1	6.0	480	1	1	12.5	1.02	7.5 X 19.5	5.5	11.5 X 9.5
1G6N33H4Sp1	6.0	480	1	1	12.5	1.80	7.5 X 34.5	2.75	11.5 X 6.75
2G6N18H4S	6.0	480	3	1	7.2	1.02	7.5 X 19.5	5.5	11.5 X 9.5
1G6N33H4S	6.0	480	3	1	7.2	1.80	7.5 X 34.5	2.75	11.5 X 6.75
1G12N18H4S	6.0	480	3	1	7.2	2.03	15 X 19.5	2.75	19 X 6.75
6G3N13H2D	6.6	120	1	2	55.0	0.40	4 X 14.5	16.5	8 X 20.5
6G3N13H4Dp1	6.6	240	1	1	27.5	0.40	4 X 14.5	16.5	8 X 20.5
3G6N13H2Sp1	6.6	240	1	1	27.5	0.76	7.5 X 14.5	8.25	11.5 X 12.25
6G3N13H4D	6.6	240	3	1	15.9	0.40	4 X 14.5	16.5	8 X 20.5
3G6N13H2S	6.6	240	3	1	15.9	0.76	7.5 X 14.5	8.25	11.5 X 12.25
3G6N13H4Sp1	6.6	480	1	1	13.8	0.76	7.5 X 14.5	8.25	11.5 X 12.25
3G6N13H4S	6.6	480	3	1	7.9	0.76	7.5 X 14.5	8.25	11.5 X 12.25
1G18N13H2S	6.7	240	3	1	16.1	2.27	22.5 X 14.5	2.75	26.5 X 6.75
1G18N13H4S	6.7	480	3	1	8.1	2.27	22.5 X 14.5	2.75	26.5 X 6.75
4G3N20H4Dp1	7.5	240	1	1	31.3	0.60	4 X 21.5	11	8 X 15
1G6N40H2Sp1	7.5	240	1	1	31.3	2.16	7.5 X 41.5	2.75	11.5 X 6.75
4G3N20H4D	7.5	240	3	1	31.3	0.60	4 X 21.5	11	8 X 15
1G6N40H2S	7.5	240	3	1	18.0	2.16	7.5 X 41.5	2.75	11.5 X 6.75
1G12N20H2S	7.5	240	3	1	18.0	2.24	15 X 21.5	2.75	19 X 6.75
1G6N40H4Sp1	7.5	480	1	1	15.6	2.16	7.5 X 41.5	2.75	11.5 X 6.75
1G6N40H4S	7.5	480	3	1	9.0	2.16	7.5 X 41.5	2.75	11.5 X 6.75
1G12N20H4S	7.5	480	3	1	9.0	2.24	15 X 21.5	2.75	19 X 6.75
4G3N20H2D	7.6	120	1	2	63.3	0.60	4 X 21.5	11	8 X 15
2G6N20H2Sp1	7.6	240	1	1	31.7	1.12	7.5 X 21.5	5.5	11.5 X 9.5
2G6N20H2S	7.6	240	3	1	18.3	1.12	7.5 X 21.5	5.5	11.5 X 9.5
2G6N20H4Sp1	7.6	480	1	1	15.8	1.12	7.5 X 21.5	5.5	11.5 X 9.5
2G6N20H4S	7.6	480	3	1	9.1	1.12	7.5 X 21.5	5.5	11.5 X 9.5
4G6N13H2Sp1	8.8	240	1	1	36.7	0.76	7.5 X 14.5	11	11.5 X 15
4G6N13H2S	8.8	240	3	1	21.2	0.76	7.5 X 14.5	11	11.5 X 15
4G6N13H4Sp1	8.8	480	1	1	18.3	0.76	7.5 X 14.5	11	11.5 X 15
4G6N13H4S	8.8	480	3	1	10.6	0.76	7.5 X 14.5	11	11.5 X 15
6G3N18H2D	9.0	120	1	2	75.0	0.54	4 X 19.5	16.5	8 X 20.5
6G3N18H4Dp1	9.0	240	1	1	37.5	0.54	4 X 19.5	16.5	8 X 20.5
3G6N18H2Sp1	9.0	240	1	1	37.5	1.02	7.5 X 19.5	8.25	11.5 X 12.25
2G6N25H2Sp1	9.0	240	1	1	37.5	1.38	7.5 X 26.5	5.5	11.5 X 9.5
6G3N18H4D	9.0	240	3	1	21.7	0.54	4 X 19.5	16.5	8 X 20.5

Hi-Temp Duct - Type G

1 kW - 10 kW

Watt Density: 12

Gaumer Catalog Number	kW:	Volts:	Phase	Quantity Circuits	Total Amps	Face Area (Sq. Ft.)	Heater Duct Dim. Ht.x Lgth.(Inches)	Depth (Inches)	Heater Flange Ht.x Wdth.(Inches)
3G6N18H2S	9.0	240	3	1	21.7	1.02	7.5 X 19.5	8.25	11.5 X 12.25
2G6N25H2S	9.0	240	3	1	21.7	1.38	7.5 X 26.5	5.5	11.5 X 9.5
2G12N13H2S	9.0	240	3	1	21.7	1.51	15 X 14.5	5.5	19 X 9.5
1G12N25H2S	9.0	240	3	1	21.7	2.76	15 X 26.5	2.75	19 X 6.75
1G24N13H2S	9.0	240	3	1	21.7	3.02	30 X 14.5	2.75	34 X 6.75
1G18N18H2S	9.0	240	3	1	21.7	3.05	22.5 X 19.5	2.75	26.5 X 6.75
3G6N18H4Sp1	9.0	480	1	1	18.8	1.02	7.5 X 19.5	8.25	11.5 X 12.25
2G6N25H4Sp1	9.0	480	1	1	18.8	1.38	7.5 X 26.5	5.5	11.5 X 9.5
3G6N18H4S	9.0	480	3	1	10.8	1.02	7.5 X 19.5	8.25	11.5 X 12.25
2G6N25H4S	9.0	480	3	1	10.8	1.38	7.5 X 26.5	5.5	11.5 X 9.5
2G12N13H4S	9.0	480	3	1	10.8	1.51	15 X 14.5	5.5	19 X 9.5
1G12N25H4S	9.0	480	3	1	10.8	2.76	15 X 26.5	2.75	19 X 6.75
1G24N13H4S	9.0	480	3	1	10.8	3.02	30 X 14.5	2.75	34 X 6.75
1G18N18H4S	9.0	480	3	1	10.8	3.05	22.5 X 19.5	2.75	26.5 X 6.75

Hi-Temp Duct - Type G

1 kW - 10 kW

Watt Density:

8

Gaumer Catalog Number	kW:	Volts:	Phase	Quantity Circuits	Total Amps	Face Area (Sq. Ft.)	Heater Duct Dim. Ht.x Lgth.(Inches)	Depth (Inches)	Heater Flange Ht.x Wdth.(Inches)
1G3N13M2Y	0.7	240	3	1	1.7	0.40	4 X 14.5	2.75	8 X 6.75
1G3N13M4Y	0.7	480	3	1	0.8	0.40	4 X 14.5	2.75	8 X 6.75
1G3N18M2Y	1.0	240	3	1	2.4	0.54	4 X 19.5	2.75	8 X 6.75
1G3N18M4Y	1.0	480	3	1	1.2	0.54	4 X 19.5	2.75	8 X 6.75
1G3N20M2Y	1.3	240	3	1	3.1	0.60	4 X 21.5	2.75	8 X 6.75
1G3N20M4Y	1.3	480	3	1	1.6	0.60	4 X 21.5	2.75	8 X 6.75
2G3N13M2Y	1.4	240	3	1	3.4	0.40	4 X 14.5	5.5	8 X 9.5
1G6N13M2Y	1.4	240	3	1	3.4	0.76	7.5 X 14.5	2.75	11.5 X 6.75
2G3N13M4Y	1.4	480	3	1	1.7	0.40	4 X 14.5	5.5	8 X 9.5
1G6N13M4Y	1.4	480	3	1	1.7	0.76	7.5 X 14.5	2.75	11.5 X 6.75
2G3N18M2Y	2.0	240	3	1	4.8	0.54	4 X 19.5	5.5	8 X 9.5
1G6N18M2Y	2.0	240	3	1	4.8	1.02	7.5 X 19.5	2.75	11.5 X 6.75
2G3N18M4Y	2.0	480	3	1	2.4	0.54	4 X 19.5	5.5	8 X 9.5
1G6N18M4Y	2.0	480	3	1	2.4	1.02	7.5 X 19.5	2.75	11.5 X 6.75
3G3N13M2Y	2.1	240	3	1	5.1	0.40	4 X 14.5	8.25	8 X 12.25
3G3N13M4Y	2.1	480	3	1	2.5	0.40	4 X 14.5	8.25	8 X 12.25
1G6N20M2Y	2.5	240	3	1	6.0	1.12	7.5 X 21.5	2.75	11.5 X 6.75
1G6N20M4Y	2.5	480	3	1	3.0	1.12	7.5 X 21.5	2.75	11.5 X 6.75
2G3N20M2Y	2.6	240	3	1	6.3	0.60	4 X 21.5	5.5	8 X 9.5
2G3N20M4Y	2.6	480	3	1	3.1	0.60	4 X 21.5	5.5	8 X 9.5
4G3N13M2Y	2.8	240	3	1	6.7	0.40	4 X 14.5	11	8 X 15
2G6N13M2Y	2.8	240	3	1	6.8	0.76	7.5 X 14.5	5.5	11.5 X 9.5
4G3N13M4Y	2.8	480	3	1	3.4	0.40	4 X 14.5	11	8 X 15
2G6N13M4Y	2.8	480	3	1	3.4	0.76	7.5 X 14.5	5.5	11.5 X 9.5
3G3N18M2Y	3.0	240	3	1	7.2	0.54	4 X 19.5	8.25	8 X 12.25
1G6N25M2Y	3.0	240	3	1	7.2	1.38	7.5 X 26.5	2.75	11.5 X 6.75
3G3N18M4Y	3.0	480	3	1	3.6	0.54	4 X 19.5	8.25	8 X 12.25
1G6N25M4Y	3.0	480	3	1	3.6	1.38	7.5 X 26.5	2.75	11.5 X 6.75
3G3N20M2Y	3.9	240	3	1	9.4	0.60	4 X 21.5	8.25	8 X 12.25
3G3N20M4Y	3.9	480	3	1	4.7	0.60	4 X 21.5	8.25	8 X 12.25
4G3N18M2Y	4.0	240	3	1	9.6	0.54	4 X 19.5	11	8 X 15
2G6N18M2Y	4.0	240	3	1	9.6	1.02	7.5 X 19.5	5.5	11.5 X 9.5
1G6N33M2Y	4.0	240	3	1	9.6	1.80	7.5 X 34.5	2.75	11.5 X 6.75
1G12N18M2Y	4.0	240	3	1	9.6	2.03	15 X 19.5	2.75	19 X 6.75
4G3N18M4Y	4.0	480	3	1	4.8	0.54	4 X 19.5	11	8 X 15
2G6N18M4Y	4.0	480	3	1	4.8	1.02	7.5 X 19.5	5.5	11.5 X 9.5
1G6N33M4Y	4.0	480	3	1	4.8	1.80	7.5 X 34.5	2.75	11.5 X 6.75
1G12N18M4Y	4.0	480	3	1	4.8	2.03	15 X 19.5	2.75	19 X 6.75
6G3N13M2Y	4.2	240	3	1	10.1	0.40	4 X 14.5	16.5	8 X 20.5
3G6N13M2Y	4.2	240	3	1	10.2	0.76	7.5 X 14.5	8.25	11.5 X 12.25
6G3N13M4Y	4.2	480	3	1	5.1	0.40	4 X 14.5	16.5	8 X 20.5
3G6N13M4Y	4.2	480	3	1	5.1	0.76	7.5 X 14.5	8.25	11.5 X 12.25
2G6N20M2Y	5.0	240	3	1	12.0	1.12	7.5 X 21.5	5.5	11.5 X 9.5
1G6N40M2Y	5.0	240	3	1	12.0	2.16	7.5 X 41.5	2.75	11.5 X 6.75
1G12N20M2Y	5.0	240	3	1	12.0	2.24	15 X 21.5	2.75	19 X 6.75
2G6N20M4Y	5.0	480	3	1	6.0	1.12	7.5 X 21.5	5.5	11.5 X 9.5
1G6N40M4Y	5.0	480	3	1	6.0	2.16	7.5 X 41.5	2.75	11.5 X 6.75
1G12N20M4Y	5.0	480	3	1	6.0	2.24	15 X 21.5	2.75	19 X 6.75

Hi-Temp Duct - Type G

1 kW - 10 kW

Watt Density: 8

Gaumer Catalog Number	kW:	Volts:	Phase	Quantity Circuits	Total Amps	Face Area (Sq. Ft.)	Heater Duct Dim. Ht.x Lgth.(Inches)	Depth (Inches)	Heater Flange Ht.x Wdth.(Inches)
4G3N20M2Y	5.2	240	3	1	12.5	0.60	4 X 21.5	11	8 X 15
4G3N20M4Y	5.2	480	3	1	6.3	0.60	4 X 21.5	11	8 X 15
4G6N13M2Y	5.6	240	3	1	13.6	0.76	7.5 X 14.5	11	11.5 X 15
4G6N13M4Y	5.6	480	3	1	6.8	0.76	7.5 X 14.5	11	11.5 X 15
6G3N18M2Y	6.0	240	3	1	14.4	0.54	4 X 19.5	16.5	8 X 20.5
3G6N18M2Y	6.0	240	3	1	14.4	1.02	7.5 X 19.5	8.25	11.5 X 12.25
2G6N25M2Y	6.0	240	3	1	14.4	1.38	7.5 X 26.5	5.5	11.5 X 9.5
1G12N25M2Y	6.0	240	3	1	14.4	2.76	15 X 26.5	2.75	19 X 6.75
6G3N18M4Y	6.0	480	3	1	7.2	0.54	4 X 19.5	16.5	8 X 20.5
3G6N18M4Y	6.0	480	3	1	7.2	1.02	7.5 X 19.5	8.25	11.5 X 12.25
2G6N25M4Y	6.0	480	3	1	7.2	1.38	7.5 X 26.5	5.5	11.5 X 9.5
1G12N25M4Y	6.0	480	3	1	7.2	2.76	15 X 26.5	2.75	19 X 6.75
3G6N20M2Y	7.5	240	3	1	18.0	1.12	7.5 X 21.5	8.25	11.5 X 12.25
3G6N20M4Y	7.5	480	3	1	9.0	1.12	7.5 X 21.5	8.25	11.5 X 12.25
6G3N20M2Y	7.8	240	3	1	18.8	0.60	4 X 21.5	16.5	8 X 20.5
6G3N20M4Y	7.8	480	3	1	9.4	0.60	4 X 21.5	16.5	8 X 20.5
4G6N18M2Y	8.0	240	3	1	19.2	1.02	7.5 X 19.5	11	11.5 X 15
2G6N33M2Y	8.0	240	3	1	19.2	1.80	7.5 X 34.5	5.5	11.5 X 9.5
2G12N18M2Y	8.0	240	3	1	19.2	2.03	15 X 19.5	5.5	19 X 9.5
1G12N33M2Y	8.0	240	3	1	19.2	3.59	15 X 34.5	2.75	19 X 6.75
4G6N18M4Y	8.0	480	3	1	9.6	1.02	7.5 X 19.5	11	11.5 X 15
2G6N33M4Y	8.0	480	3	1	9.6	1.80	7.5 X 34.5	5.5	11.5 X 9.5
2G12N18M4Y	8.0	480	3	1	9.6	2.03	15 X 19.5	5.5	19 X 9.5
1G12N33M4Y	8.0	480	3	1	9.6	3.59	15 X 34.5	2.75	19 X 6.75
6G6N13M2Y	8.4	240	3	1	20.4	0.76	7.5 X 14.5	16.5	11.5 X 20.5
6G6N13M4Y	8.4	480	3	1	10.2	0.76	7.5 X 14.5	16.5	11.5 X 20.5
3G6N25M2Y	9.0	240	3	1	21.7	1.38	7.5 X 26.5	8.25	11.5 X 12.25
3G6N25M4Y	9.0	480	3	1	10.8	1.38	7.5 X 26.5	8.25	11.5 X 12.25
4G6N20M2Y	10.0	240	3	1	24.1	1.12	7.5 X 21.5	11	11.5 X 15
2G6N40M2Y	10.0	240	3	1	24.1	2.16	7.5 X 41.5	5.5	11.5 X 9.5
2G12N20M2Y	10.0	240	3	1	24.1	2.24	15 X 21.5	5.5	19 X 9.5
1G12N40M2Y	10.0	240	3	1	24.1	4.32	15 X 41.5	2.75	19 X 6.75
4G6N20M4Y	10.0	480	3	1	12.0	1.12	7.5 X 21.5	11	11.5 X 15
2G6N40M4Y	10.0	480	3	1	12.0	2.16	7.5 X 41.5	5.5	11.5 X 9.5
2G12N20M4Y	10.0	480	3	1	12.0	2.24	15 X 21.5	5.5	19 X 9.5
1G12N40M4Y	10.0	480	3	1	12.0	4.32	15 X 41.5	2.75	19 X 6.75

Hi-Temp Duct - Type G

1 kW - 10 kW

Watt Density:

6

Gaumer Catalog Number	kW:	Volts:	Phase	Quantity Circuits	Total Amps	Face Area (Sq. Ft.)	Heater Duct Dim. Ht.x Lgth.(Inches)	Depth (Inches)	Heater Flange Ht.x Wdth.(Inches)
1G3N18M2D	0.8	120	1	1	6.3	0.54	4 X 19.5	2.75	8 X 6.75
1G3N18M4Dp1	0.8	240	1	1	3.1	0.54	4 X 19.5	2.75	8 X 6.75
1G3N18M4D	0.8	240	3	1	1.8	0.54	4 X 19.5	2.75	8 X 6.75
1G3N20M2D	0.9	120	1	1	7.9	0.60	4 X 21.5	2.75	8 X 6.75
1G3N20M4D	0.9	240	3	1	2.3	0.60	4 X 21.5	2.75	8 X 6.75
2G3N18M2D	1.5	120	1	1	12.5	0.54	4 X 19.5	5.5	8 X 9.5
2G3N18M4Dp1	1.5	240	1	1	6.3	0.54	4 X 19.5	5.5	8 X 9.5
1G6N18M2Sp1	1.5	240	1	1	6.3	1.02	7.5 X 19.5	2.75	11.5 X 6.75
2G3N18M4D	1.5	240	3	1	3.6	0.54	4 X 19.5	5.5	8 X 9.5
1G6N18M2S	1.5	240	3	1	3.6	1.02	7.5 X 19.5	2.75	11.5 X 6.75
1G6N18M4Sp1	1.5	480	1	1	3.1	1.02	7.5 X 19.5	2.75	11.5 X 6.75
1G6N18M4S	1.5	480	3	1	1.8	1.02	7.5 X 19.5	2.75	11.5 X 6.75
2G3N20M2D	1.9	120	1	1	15.8	0.60	4 X 21.5	5.5	8 X 9.5
1G6N20M2Sp1	1.9	240	1	1	7.9	1.12	7.5 X 21.5	2.75	11.5 X 6.75
2G3N20M4D	1.9	240	3	1	4.6	0.60	4 X 21.5	5.5	8 X 9.5
1G6N20M2S	1.9	240	3	1	4.6	1.12	7.5 X 21.5	2.75	11.5 X 6.75
1G6N20M4Sp1	1.9	480	1	1	4.0	1.12	7.5 X 21.5	2.75	11.5 X 6.75
1G6N20M4S	1.9	480	3	1	2.3	1.12	7.5 X 21.5	2.75	11.5 X 6.75
3G3N18M2D	2.2	120	1	1	18.8	0.54	4 X 19.5	8.25	8 X 12.25
3G3N18M4Dp1	2.2	240	1	1	9.4	0.54	4 X 19.5	8.25	8 X 12.25
1G6N25M2Sp1	2.2	240	1	1	9.2	1.38	7.5 X 26.5	2.75	11.5 X 6.75
3G3N18M4D	2.2	240	3	1	5.4	0.54	4 X 19.5	8.25	8 X 12.25
1G6N25M2S	2.2	240	3	1	5.3	1.38	7.5 X 26.5	2.75	11.5 X 6.75
1G6N25M4Sp1	2.2	480	1	1	4.6	1.38	7.5 X 26.5	2.75	11.5 X 6.75
1G6N25M4S	2.2	480	3	1	2.6	1.38	7.5 X 26.5	2.75	11.5 X 6.75
3G3N20M2D	2.8	120	1	1	23.8	0.60	4 X 21.5	8.25	8 X 12.25
3G3N20M4D	2.8	240	3	1	6.9	0.60	4 X 21.5	8.25	8 X 12.25
4G3N18M2D	3.0	120	1	1	25.0	0.54	4 X 19.5	11	8 X 15
4G3N18M4Dp1	3.0	240	1	1	12.5	0.54	4 X 19.5	11	8 X 15
2G6N18M2Sp1	3.0	240	1	1	12.5	1.02	7.5 X 19.5	5.5	11.5 X 9.5
1G6N33M2Sp1	3.0	240	1	1	12.5	1.80	7.5 X 34.5	2.75	11.5 X 6.75
4G3N18M4D	3.0	240	3	1	7.2	0.54	4 X 19.5	11	8 X 15
2G6N18M2S	3.0	240	3	1	7.2	1.02	7.5 X 19.5	5.5	11.5 X 9.5
1G6N33M2S	3.0	240	3	1	7.2	1.80	7.5 X 34.5	2.75	11.5 X 6.75
1G12N18M2S	3.0	240	3	1	7.2	2.03	15 X 19.5	2.75	19 X 6.75
2G6N18M4Sp1	3.0	480	1	1	6.3	1.02	7.5 X 19.5	5.5	11.5 X 9.5
1G6N33M4Sp1	3.0	480	1	1	6.3	1.80	7.5 X 34.5	2.75	11.5 X 6.75
2G6N18M4S	3.0	480	3	1	3.6	1.02	7.5 X 19.5	5.5	11.5 X 9.5
1G6N33M4S	3.0	480	3	1	3.6	1.80	7.5 X 34.5	2.75	11.5 X 6.75
1G12N18M4S	3.0	480	3	1	3.6	2.03	15 X 19.5	2.75	19 X 6.75
1G6N40M2Sp1	3.7	240	1	1	15.4	2.16	7.5 X 41.5	2.75	11.5 X 6.75
1G6N40M2S	3.7	240	3	1	8.9	2.16	7.5 X 41.5	2.75	11.5 X 6.75
1G12N20M2S	3.7	240	3	1	8.9	2.24	15 X 21.5	2.75	19 X 6.75
1G6N40M4Sp1	3.7	480	1	1	7.7	2.16	7.5 X 41.5	2.75	11.5 X 6.75
1G6N40M4S	3.7	480	3	1	4.5	2.16	7.5 X 41.5	2.75	11.5 X 6.75
1G12N20M4S	3.7	480	3	1	4.5	2.24	15 X 21.5	2.75	19 X 6.75
4G3N20M2D	3.8	120	1	1	31.7	0.60	4 X 21.5	11	8 X 15
2G6N20M2Sp1	3.8	240	1	1	15.8	1.12	7.5 X 21.5	5.5	11.5 X 9.5

Hi-Temp Duct - Type G

1 kW - 10 kW

Watt Density:

6

Gaumer Catalog Number	kW:	Volts:	Phase	Quantity Circuits	Total Amps	Face Area (Sq. Ft.)	Heater Duct Dim. Ht.x Lgth.(Inches)	Depth (Inches)	Heater Flange Ht.x Wdth.(Inches)
4G3N20M4D	3.8	240	3	1	9.2	0.60	4 X 21.5	11	8 X 15
2G6N20M2S	3.8	240	3	1	9.1	1.12	7.5 X 21.5	5.5	11.5 X 9.5
2G6N20M4Sp1	3.8	480	1	1	7.9	1.12	7.5 X 21.5	5.5	11.5 X 9.5
2G6N20M4S	3.8	480	3	1	4.6	1.12	7.5 X 21.5	5.5	11.5 X 9.5
6G3N18M2D	4.4	120	1	1	37.5	0.54	4 X 19.5	16.5	8 X 20.5
6G3N18M4Dp1	4.4	240	1	1	18.8	0.54	4 X 19.5	16.5	8 X 20.5
2G6N25M2Sp1	4.4	240	1	1	18.3	1.38	7.5 X 26.5	5.5	11.5 X 9.5
6G3N18M4D	4.4	240	3	1	10.8	0.54	4 X 19.5	16.5	8 X 20.5
2G6N25M2S	4.4	240	3	1	10.6	1.38	7.5 X 26.5	5.5	11.5 X 9.5
2G6N25M4Sp1	4.4	480	1	1	9.2	1.38	7.5 X 26.5	5.5	11.5 X 9.5
2G6N25M4S	4.4	480	3	1	5.3	1.38	7.5 X 26.5	5.5	11.5 X 9.5
3G6N18M2Sp1	4.5	240	1	1	18.8	1.02	7.5 X 19.5	8.25	11.5 X 12.25
3G6N18M2S	4.5	240	3	1	10.8	1.02	7.5 X 19.5	8.25	11.5 X 12.25
1G12N25M2S	4.5	240	3	1	10.8	2.76	15 X 26.5	2.75	19 X 6.75
3G6N18M4Sp1	4.5	480	1	1	9.4	1.02	7.5 X 19.5	8.25	11.5 X 12.25
3G6N18M4S	4.5	480	3	1	5.4	1.02	7.5 X 19.5	8.25	11.5 X 12.25
1G12N25M4S	4.5	480	3	1	5.4	2.76	15 X 26.5	2.75	19 X 6.75
6G3N20M2D	5.6	120	1	1	47.5	0.60	4 X 21.5	16.5	8 X 20.5
3G6N20M2Sp1	5.7	240	1	1	23.8	1.12	7.5 X 21.5	8.25	11.5 X 12.25
6G3N20M4D	5.7	240	3	1	13.8	0.60	4 X 21.5	16.5	8 X 20.5
3G6N20M2S	5.7	240	3	1	13.7	1.12	7.5 X 21.5	8.25	11.5 X 12.25
3G6N20M4Sp1	5.7	480	1	1	11.9	1.12	7.5 X 21.5	8.25	11.5 X 12.25
3G6N20M4S	5.7	480	3	1	6.9	1.12	7.5 X 21.5	8.25	11.5 X 12.25
4G6N18M2Sp1	6.0	240	1	1	25.0	1.02	7.5 X 19.5	11	11.5 X 15
2G6N33M2Sp1	6.0	240	1	1	25.0	1.80	7.5 X 34.5	5.5	11.5 X 9.5
4G6N18M2S	6.0	240	3	1	14.4	1.02	7.5 X 19.5	11	11.5 X 15
2G6N33M2S	6.0	240	3	1	14.4	1.80	7.5 X 34.5	5.5	11.5 X 9.5
2G12N18M2S	6.0	240	3	1	14.4	2.03	15 X 19.5	5.5	19 X 9.5
1G12N33M2S	6.0	240	3	1	14.4	3.59	15 X 34.5	2.75	19 X 6.75
4G6N18M4Sp1	6.0	480	1	1	12.5	1.02	7.5 X 19.5	11	11.5 X 15
2G6N33M4Sp1	6.0	480	1	1	12.5	1.80	7.5 X 34.5	5.5	11.5 X 9.5
4G6N18M4S	6.0	480	3	1	7.2	1.02	7.5 X 19.5	11	11.5 X 15
2G6N33M4S	6.0	480	3	1	7.2	1.80	7.5 X 34.5	5.5	11.5 X 9.5
2G12N18M4S	6.0	480	3	1	7.2	2.03	15 X 19.5	5.5	19 X 9.5
1G12N33M4S	6.0	480	3	1	7.2	3.59	15 X 34.5	2.75	19 X 6.75
3G6N25M2Sp1	6.6	240	1	1	27.5	1.38	7.5 X 26.5	8.25	11.5 X 12.25
3G6N25M2S	6.6	240	3	1	15.9	1.38	7.5 X 26.5	8.25	11.5 X 12.25
3G6N25M4Sp1	6.6	480	1	1	13.8	1.38	7.5 X 26.5	8.25	11.5 X 12.25
3G6N25M4S	6.6	480	3	1	7.9	1.38	7.5 X 26.5	8.25	11.5 X 12.25
2G6N40M2Sp1	7.4	240	1	1	30.8	2.16	7.5 X 41.5	5.5	11.5 X 9.5
2G6N40M2S	7.4	240	3	1	17.8	2.16	7.5 X 41.5	5.5	11.5 X 9.5
2G12N20M2S	7.4	240	3	1	17.8	2.24	15 X 21.5	5.5	19 X 9.5
2G6N40M4Sp1	7.4	480	1	1	15.4	2.16	7.5 X 41.5	5.5	11.5 X 9.5
2G6N40M4S	7.4	480	3	1	8.9	2.16	7.5 X 41.5	5.5	11.5 X 9.5
2G12N20M4S	7.4	480	3	1	8.9	2.24	15 X 21.5	5.5	19 X 9.5
1G12N40M2S	7.5	240	3	1	18.0	4.32	15 X 41.5	2.75	19 X 6.75
1G12N40M4S	7.5	480	3	1	9.0	4.32	15 X 41.5	2.75	19 X 6.75
4G6N20M2Sp1	7.6	240	1	1	31.7	1.12	7.5 X 21.5	11	11.5 X 15

Hi-Temp Duct - Type G

1 kW - 10 kW

Watt Density:

6

Gaumer Catalog Number	kW:	Volts:	Phase	Quantity Circuits	Total Amps	Face Area (Sq. Ft.)	Heater Duct Dim. Ht.x Lgth.(Inches)	Depth (Inches)	Heater Flange Ht.x Wdth.(Inches)
8G3N20M4D	7.6	240	3	1	18.4	0.60	4 X 21.5	22	8 X 26
4G6N20M2S	7.6	240	3	1	18.3	1.12	7.5 X 21.5	11	11.5 X 15
4G6N20M4Sp1	7.6	480	1	1	15.8	1.12	7.5 X 21.5	11	11.5 X 15
4G6N20M4S	7.6	480	3	1	9.1	1.12	7.5 X 21.5	11	11.5 X 15
4G6N25M2Sp1	8.8	240	1	1	36.7	1.38	7.5 X 26.5	11	11.5 X 15
4G6N25M2S	8.8	240	3	1	21.2	1.38	7.5 X 26.5	11	11.5 X 15
4G6N25M4Sp1	8.8	480	1	1	18.3	1.38	7.5 X 26.5	11	11.5 X 15
4G6N25M4S	8.8	480	3	1	10.6	1.38	7.5 X 26.5	11	11.5 X 15
6G6N18M2Sp1	9.0	240	1	1	37.5	1.02	7.5 X 19.5	16.5	11.5 X 20.5
3G6N33M2Sp1	9.0	240	1	1	37.5	1.80	7.5 X 34.5	8.25	11.5 X 12.25
6G6N18M2S	9.0	240	3	1	21.7	1.02	7.5 X 19.5	16.5	11.5 X 20.5
3G6N33M2S	9.0	240	3	1	21.7	1.80	7.5 X 34.5	8.25	11.5 X 12.25
3G12N18M2S	9.0	240	3	1	21.7	2.03	15 X 19.5	8.25	19 X 12.25
2G12N25M2S	9.0	240	3	1	21.7	2.76	15 X 26.5	5.5	19 X 9.5
1G12N48M2S	9.0	240	3	1	21.7	5.16	15 X 49.5	2.75	19 X 6.75
1G18N33M2S	9.0	240	3	1	21.7	5.39	22.5 X 34.5	2.75	26.5 X 6.75
6G6N18M4Sp1	9.0	480	1	1	18.8	1.02	7.5 X 19.5	16.5	11.5 X 20.5
3G6N33M4Sp1	9.0	480	1	1	18.8	1.80	7.5 X 34.5	8.25	11.5 X 12.25
6G6N18M4S	9.0	480	3	1	10.8	1.02	7.5 X 19.5	16.5	11.5 X 20.5
3G6N33M4S	9.0	480	3	1	10.8	1.80	7.5 X 34.5	8.25	11.5 X 12.25
3G12N18M4S	9.0	480	3	1	10.8	2.03	15 X 19.5	8.25	19 X 12.25
2G12N25M4S	9.0	480	3	1	10.8	2.76	15 X 26.5	5.5	19 X 9.5
1G12N48M4S	9.0	480	3	1	10.8	5.16	15 X 49.5	2.75	19 X 6.75
1G18N33M4S	9.0	480	3	1	10.8	5.39	22.5 X 34.5	2.75	26.5 X 6.75
1G12N52M2S	10.0	240	3	1	24.1	5.57	15 X 53.5	2.75	19 X 6.75
1G12N52M4S	10.0	480	3	1	12.0	5.57	15 X 53.5	2.75	19 X 6.75

Hi-Temp Duct - Type G

1 kW - 10 kW

Watt Density:

4

Gaumer Catalog Number	kW:	Volts:	Phase	Quantity Circuits	Total Amps	Face Area (Sq. Ft.)	Heater Duct Dim. Ht.x Lgth.(Inches)	Depth (Inches)	Heater Flange Ht.x Wdth.(Inches)
1G3N13H4YD	0.4	240	3	1	0.9	0.40	4 X 14.5	2.75	8 X 6.75
1G3N18H4YD	0.5	240	3	1	1.2	0.54	4 X 19.5	2.75	8 X 6.75
1G3N20H4YD	0.6	240	3	1	1.5	0.60	4 X 21.5	2.75	8 X 6.75
1G6N13H4SY	0.7	480	3	1	0.8	0.76	7.5 X 14.5	2.75	11.5 X 6.75
2G3N13H4YD	0.8	240	3	1	1.8	0.40	4 X 14.5	5.5	8 X 9.5
2G3N18H4YD	1.0	240	3	1	2.4	0.54	4 X 19.5	5.5	8 X 9.5
1G6N18H4SY	1.0	480	3	1	1.2	1.02	7.5 X 19.5	2.75	11.5 X 6.75
3G3N13H4YD	1.1	240	3	1	2.7	0.40	4 X 14.5	8.25	8 X 12.25
2G3N20H4YD	1.3	240	3	1	3.0	0.60	4 X 21.5	5.5	8 X 9.5
1G6N20H4SY	1.3	480	3	1	1.6	1.12	7.5 X 21.5	2.75	11.5 X 6.75
2G6N13H4SY	1.4	480	3	1	1.7	0.76	7.5 X 14.5	5.5	11.5 X 9.5
4G3N13H4YD	1.5	240	3	1	3.6	0.40	4 X 14.5	11	8 X 15
3G3N18H4YD	1.5	240	3	1	3.6	0.54	4 X 19.5	8.25	8 X 12.25
1G6N25H4SY	1.5	480	3	1	1.8	1.38	7.5 X 26.5	2.75	11.5 X 6.75
1G12N13H4SY	1.5	480	3	1	1.8	1.51	15 X 14.5	2.75	19 X 6.75
3G3N20H4YD	1.9	240	3	1	4.5	0.60	4 X 21.5	8.25	8 X 12.25
4G3N18H4YD	2.0	240	3	1	4.8	0.54	4 X 19.5	11	8 X 15
2G6N18H4SY	2.0	480	3	1	2.4	1.02	7.5 X 19.5	5.5	11.5 X 9.5
1G6N33H4SY	2.0	480	3	1	2.4	1.80	7.5 X 34.5	2.75	11.5 X 6.75
1G12N18H4SY	2.0	480	3	1	2.4	2.03	15 X 19.5	2.75	19 X 6.75
3G6N13H4SY	2.1	480	3	1	2.5	0.76	7.5 X 14.5	8.25	11.5 X 12.25
6G3N13H4YD	2.2	240	3	1	5.4	0.40	4 X 14.5	16.5	8 X 20.5
1G18N13H4SY	2.2	480	3	1	2.6	2.27	22.5 X 14.5	2.75	26.5 X 6.75
1G6N40H4SY	2.5	480	3	1	3.0	2.16	7.5 X 41.5	2.75	11.5 X 6.75
1G12N20H4SY	2.5	480	3	1	3.0	2.24	15 X 21.5	2.75	19 X 6.75
4G3N20H4YD	2.5	240	3	1	6.1	0.60	4 X 21.5	11	8 X 15
2G6N20H4SY	2.6	480	3	1	3.1	1.12	7.5 X 21.5	5.5	11.5 X 9.5
4G6N13H4SY	2.8	480	3	1	3.4	0.76	7.5 X 14.5	11	11.5 X 15
6G3N18H4YD	3.0	240	3	1	7.2	0.54	4 X 19.5	16.5	8 X 20.5
3G6N18H4SY	3.0	480	3	1	3.6	1.02	7.5 X 19.5	8.25	11.5 X 12.25
2G6N25H4SY	3.0	480	3	1	3.6	1.38	7.5 X 26.5	5.5	11.5 X 9.5
2G12N13H4SY	3.0	480	3	1	3.6	1.51	15 X 14.5	5.5	19 X 9.5
1G12N25H4SY	3.0	480	3	1	3.6	2.76	15 X 26.5	2.75	19 X 6.75
1G24N13H4SY	3.0	480	3	1	3.6	3.02	30 X 14.5	2.75	34 X 6.75
1G18N18H4SY	3.0	480	3	1	3.6	3.05	22.5 X 19.5	2.75	26.5 X 6.75
6G3N20H4YD	3.8	240	3	1	9.1	0.60	4 X 21.5	16.5	8 X 20.5
1G18N20H4SY	3.8	480	3	1	4.6	3.36	22.5 X 21.5	2.75	26.5 X 6.75
3G6N20H4SY	3.9	480	3	1	4.7	1.12	7.5 X 21.5	8.25	11.5 X 12.25
4G6N18H4SY	4.0	480	3	1	4.8	1.02	7.5 X 19.5	11	11.5 X 15
2G6N33H4SY	4.0	480	3	1	4.8	1.80	7.5 X 34.5	5.5	11.5 X 9.5
2G12N18H4SY	4.0	480	3	1	4.8	2.03	15 X 19.5	5.5	19 X 9.5
1G12N33H4SY	4.0	480	3	1	4.8	3.59	15 X 34.5	2.75	19 X 6.75
1G24N18H4SY	4.0	480	3	1	4.8	4.06	30 X 19.5	2.75	34 X 6.75
6G6N13H4SY	4.2	480	3	1	5.1	0.76	7.5 X 14.5	16.5	11.5 X 20.5
2G18N13H4SY	4.4	480	3	1	5.3	2.27	22.5 X 14.5	5.5	26.5 X 9.5
3G6N25H4SY	4.5	480	3	1	5.4	1.38	7.5 X 26.5	8.25	11.5 X 12.25
3G12N13H4SY	4.5	480	3	1	5.4	1.51	15 X 14.5	8.25	19 X 12.25
1G18N25H4SY	4.5	480	3	1	5.4	4.14	22.5 X 26.5	2.75	26.5 X 6.75

11/19/2001

Page 16 of 17

**GAUMER COMPANY, INC. · 13616 Hempstead Road · Houston · Texas · 77040 · Ph: 713.460.5200
Ph: 800.460.5200 · Fx: 713.460.1444 · Fx: 800.460.5700 · www.gaumer.com · sales@gaumer.com**

Hi-Temp Duct - Type G

1 kW - 10 kW

Watt Density:

4

Gaumer Catalog Number	kW:	Volts:	Phase	Quantity Circuits	Total Amps	Face Area (Sq. Ft.)	Heater Duct Dim. Ht.x Lgth.(Inches)	Depth (Inches)	Heater Flange Ht.x Wdth.(Inches)
2G6N40H4SY	5.0	480	3	1	6.0	2.16	7.5 X 41.5	5.5	11.5 X 9.5
2G12N20H4SY	5.0	480	3	1	6.0	2.24	15 X 21.5	5.5	19 X 9.5
1G12N40H4SY	5.0	480	3	1	6.0	4.32	15 X 41.5	2.75	19 X 6.75
1G24N20H4SY	5.0	480	3	1	6.0	4.48	30 X 21.5	2.75	34 X 6.75
4G6N20H4SY	5.2	480	3	1	6.3	1.12	7.5 X 21.5	11	11.5 X 15
8G6N13H4SY	5.6	480	3	1	6.7	0.76	7.5 X 14.5	22	11.5 X 26
6G6N18H4SY	6.0	480	3	1	7.2	1.02	7.5 X 19.5	16.5	11.5 X 20.5
4G6N25H4SY	6.0	480	3	1	7.2	1.38	7.5 X 26.5	11	11.5 X 15
4G12N13H4SY	6.0	480	3	1	7.2	1.51	15 X 14.5	11	19 X 15
3G6N33H4SY	6.0	480	3	1	7.2	1.80	7.5 X 34.5	8.25	11.5 X 12.25
3G12N18H4SY	6.0	480	3	1	7.2	2.03	15 X 19.5	8.25	19 X 12.25
2G12N25H4SY	6.0	480	3	1	7.2	2.76	15 X 26.5	5.5	19 X 9.5
2G24N13H4SY	6.0	480	3	1	7.2	3.02	30 X 14.5	5.5	34 X 9.5
2G18N18H4SY	6.0	480	3	1	7.2	3.05	22.5 X 19.5	5.5	26.5 X 9.5
1G12N48H4SY	6.0	480	3	1	7.2	5.16	15 X 49.5	2.75	19 X 6.75
1G18N33H4SY	6.0	480	3	1	7.2	5.39	22.5 X 34.5	2.75	26.5 X 6.75
1G24N25H4SY	6.0	480	3	1	7.2	5.52	30 X 26.5	2.75	34 X 6.75
3G18N13H4SY	6.6	480	3	1	7.9	2.27	22.5 X 14.5	8.25	26.5 X 12.25
3G6N40H4SY	7.5	480	3	1	9.0	2.16	7.5 X 41.5	8.25	11.5 X 12.25
3G12N20H4SY	7.5	480	3	1	9.0	2.24	15 X 21.5	8.25	19 X 12.25
1G18N40H4SY	7.5	480	3	1	9.0	6.48	22.5 X 41.5	2.75	26.5 X 6.75
2G18N20H4SY	7.6	480	3	1	9.1	3.36	22.5 X 21.5	5.5	26.5 X 9.5
6G6N20H4SY	7.8	480	3	1	9.4	1.12	7.5 X 21.5	16.5	11.5 X 20.5
8G6N18H4SY	8.0	480	3	1	9.6	1.02	7.5 X 19.5	22	11.5 X 26
4G6N33H4SY	8.0	480	3	1	9.6	1.80	7.5 X 34.5	11	11.5 X 15
4G12N18H4SY	8.0	480	3	1	9.6	2.03	15 X 19.5	11	19 X 15
2G12N33H4SY	8.0	480	3	1	9.6	3.59	15 X 34.5	5.5	19 X 9.5
2G24N18H4SY	8.0	480	3	1	9.6	4.06	30 X 19.5	5.5	34 X 9.5
1G24N33H4SY	8.0	480	3	1	9.6	7.19	30 X 34.5	2.75	34 X 6.75
1G12N61H4SY	8.3	480	3	1	10.0	6.51	15 X 62.5	2.75	19 X 6.75
12G6N13H4SY	8.4	480	3	1	10.1	0.76	7.5 X 14.5	33	11.5 X 37
4G18N13H4SY	8.8	480	3	1	10.6	2.27	22.5 X 14.5	11	26.5 X 15
6G6N25H4SY	9.0	480	3	1	10.8	1.38	7.5 X 26.5	16.5	11.5 X 20.5
6G12N13H4SY	9.0	480	3	1	10.8	1.51	15 X 14.5	16.5	19 X 20.5
3G12N25H4SY	9.0	480	3	1	10.8	2.76	15 X 26.5	8.25	19 X 12.25
3G24N13H4SY	9.0	480	3	1	10.8	3.02	30 X 14.5	8.25	34 X 12.25
3G18N18H4SY	9.0	480	3	1	10.8	3.05	22.5 X 19.5	8.25	26.5 X 12.25
2G18N25H4SY	9.0	480	3	1	10.8	4.14	22.5 X 26.5	5.5	26.5 X 9.5
1G18N48H4SY	9.0	480	3	1	10.8	7.73	22.5 X 49.5	2.75	26.5 X 6.75
4G6N40H4SY	10.0	480	3	1	12.0	2.16	7.5 X 41.5	11	11.5 X 15
4G12N20H4SY	10.0	480	3	1	12.0	2.24	15 X 21.5	11	19 X 15
2G12N40H4SY	10.0	480	3	1	12.0	4.32	15 X 41.5	5.5	19 X 9.5
2G24N20H4SY	10.0	480	3	1	12.0	4.48	30 X 21.5	5.5	34 X 9.5
1G24N40H4SY	10.0	480	3	1	12.0	8.65	30 X 41.5	2.75	34 X 6.75

GAUMER PROCESS

HEATERS
SYSTEMS
CONTROLS

APPLICATIONS

The Gaumer Electric Process Type G Duct Heater is designed for rugged duty where air must be heated to temperatures higher than what would be normal for comfort heating. Temperatures as high as 1100° F are possible if the heater is properly selected. Contact Gaumer Process for assistance in selecting Type G Duct Heaters.

HEATER SELECTION

Single Row Coil (1G-----)

For heating large quantities of re-circulated air thru a very small temperature rise (to 10 degrees) resulting in a low pressure drop and low heater face velocity (300-1000 fpm).

Two or Three Row Coil (2G-----) or (3G-----)

For heating large quantities of re-circulated air thru a temperature rise (10 to 50 degrees) resulting in a normal pressure drop and average heater face velocity (500-2000 fpm).

Three Row or Four Row Coil (3G-----) or (4G-----)

For average quantities of air thru a normal temperature rise (50-100 degrees) resulting in a low pressure drop and low heater face velocity (500-2000 fpm).

6, 8, 12 Row Coil (6G-----), (8G-----), (12G-----)

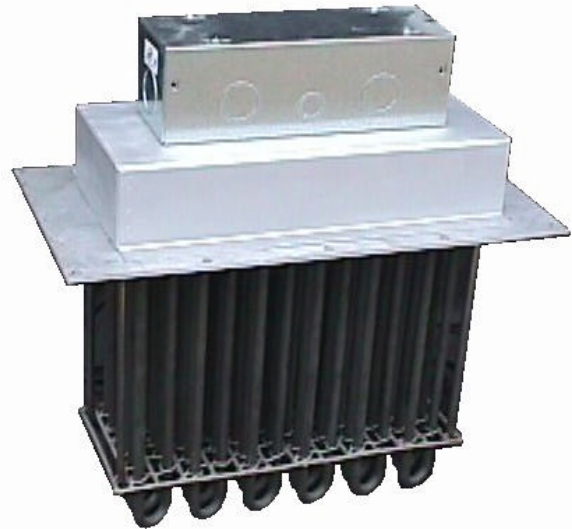
For average quantities of air thru a higher than normal temperature rise (100-600 degrees).

SPECIAL FEATURES

- INS Insulated Section on Element Side of Flange
- SPT Flange Attached Spacer Assembly
- SS Stainless Steel Flange
- W Wattage Other Than Cataloged
- V Voltage Other Than Cataloged
- ER Explosion Resistant Construction
- LT Weatherproof Construction
- J(K) Additional Sheath Sensing Thermocouple for Overheat Protection
- HTR Space Heater Mounted in Terminal Enclosure
- X Special Feature not Listed Above

Hi-Temp Duct - Type G

10 kW - 20 kW



STANDARD FEATURES

Heating Elements

- Incoloy 800 Sheath Material
- Heavy Wall (.035 in.)
- Large Diameter (.475 in.)
- Sealed Terminals

Standard Features

- High Temp Alloy Spacers
- Gaumer "Evenflow" Configuration
- Type K TC for Overheat Protection
- Insulated Terminal Section

Construction

- Welded Heating Elements
- Welded Spacers

Installation

- Flying Leadwires Provided
- Only Standard Materials Needed in Field

Service

- Wiring Modifiable in Field
- Assembly Repairable at Factory

Hi-Temp Duct Heaters

Type G

Watt Density: 23

Gaumer Catalog Number	kW:	Volts:	Phase	Quantity Circuits	Total Amps	Face Area (Sq. Ft.)	Heater Duct Dim. Ht.x Lgth.(Inches)	Depth (Inches)	Heater Flange Ht.x Wdth.(Inches)
3G3N20M2p1	11.4	240	1	1	47.5	0.60	4 X 21.5	8.25	8 X 12.25
3G3N20M2	11.4	240	3	1	27.4	0.60	4 X 21.5	8.25	8 X 12.25
3G3N20M4p1	11.4	480	1	1	23.8	0.60	4 X 21.5	8.25	8 X 12.25
3G3N20M4	11.4	480	3	1	13.7	0.60	4 X 21.5	8.25	8 X 12.25
4G3N18M2p1	12.0	240	1	2	50.0	0.54	4 X 19.5	11	8 X 15
2G6N18M2p1	12.0	240	1	2	50.0	1.02	7.5 X 19.5	5.5	11.5 X 9.5
1G6N33M2p1	12.0	240	1	2	50.0	1.80	7.5 X 34.5	2.75	11.5 X 6.75
4G3N18M2	12.0	240	3	1	28.9	0.54	4 X 19.5	11	8 X 15
2G6N18M2	12.0	240	3	1	28.9	1.02	7.5 X 19.5	5.5	11.5 X 9.5
1G6N33M2	12.0	240	3	1	28.9	1.80	7.5 X 34.5	2.75	11.5 X 6.75
1G12N18M2	12.0	240	3	1	28.9	2.03	15 X 19.5	2.75	19 X 6.75
4G3N18M4p1	12.0	480	1	1	25.0	0.54	4 X 19.5	11	8 X 15
2G6N18M4p1	12.0	480	1	1	25.0	1.02	7.5 X 19.5	5.5	11.5 X 9.5
1G6N33M4p1	12.0	480	1	1	25.0	1.80	7.5 X 34.5	2.75	11.5 X 6.75
4G3N18M4	12.0	480	3	1	14.4	0.54	4 X 19.5	11	8 X 15
2G6N18M4	12.0	480	3	1	14.4	1.02	7.5 X 19.5	5.5	11.5 X 9.5
1G6N33M4	12.0	480	3	1	14.4	1.80	7.5 X 34.5	2.75	11.5 X 6.75
1G12N18M4	12.0	480	3	1	14.4	2.03	15 X 19.5	2.75	19 X 6.75
6G3N13M1	13.2	120	1	3	110.0	0.40	4 X 14.5	16.5	8 X 20.5
6G3N13M2p1	13.2	240	1	2	55.0	0.40	4 X 14.5	16.5	8 X 20.5
6G3N13M2	13.2	240	3	1	31.8	0.40	4 X 14.5	16.5	8 X 20.5
3G6N13M2	13.2	240	3	1	30.6	0.76	7.5 X 14.5	8.25	11.5 X 12.25
6G3N13M4p1	13.2	480	1	1	27.5	0.40	4 X 14.5	16.5	8 X 20.5
6G3N13M4	13.2	480	3	1	15.9	0.40	4 X 14.5	16.5	8 X 20.5
3G6N13M4	13.2	480	3	1	15.3	0.76	7.5 X 14.5	8.25	11.5 X 12.25
2G6N20M2p1	15.0	240	1	2	62.5	1.12	7.5 X 21.5	5.5	11.5 X 9.5
1G6N40M2p1	15.0	240	1	3	62.5	2.16	7.5 X 41.5	2.75	11.5 X 6.75
2G6N20M2	15.0	240	3	1	36.1	1.12	7.5 X 21.5	5.5	11.5 X 9.5
1G6N40M2	15.0	240	3	1	36.1	2.16	7.5 X 41.5	2.75	11.5 X 6.75
1G12N20M2	15.0	240	3	1	36.1	2.24	15 X 21.5	2.75	19 X 6.75
2G6N20M4p1	15.0	480	1	1	31.3	1.12	7.5 X 21.5	5.5	11.5 X 9.5
1G6N40M4p1	15.0	480	1	1	31.3	2.16	7.5 X 41.5	2.75	11.5 X 6.75
2G6N20M4	15.0	480	3	1	18.0	1.12	7.5 X 21.5	5.5	11.5 X 9.5
1G6N40M4	15.0	480	3	1	18.0	2.16	7.5 X 41.5	2.75	11.5 X 6.75
1G12N20M4	15.0	480	3	1	18.0	2.24	15 X 21.5	2.75	19 X 6.75
4G3N20M2p1	15.2	240	1	2	63.3	0.60	4 X 21.5	11	8 X 15
4G3N20M2	15.2	240	3	1	36.6	0.60	4 X 21.5	11	8 X 15
4G3N20M4p1	15.2	480	1	1	31.7	0.60	4 X 21.5	11	8 X 15
4G3N20M4	15.2	480	3	1	18.3	0.60	4 X 21.5	11	8 X 15
4G6N13M2	17.6	240	3	1	40.8	0.76	7.5 X 14.5	11	11.5 X 15
4G6N13M4	17.6	480	3	1	20.4	0.76	7.5 X 14.5	11	11.5 X 15
6G3N18M2p1	18.0	240	1	2	75.0	0.54	4 X 19.5	16.5	8 X 20.5
3G6N18M2p1	18.0	240	1	3	75.0	1.02	7.5 X 19.5	8.25	11.5 X 12.25
2G6N25M2p1	18.0	240	1	2	75.0	1.38	7.5 X 26.5	5.5	11.5 X 9.5
6G3N18M2	18.0	240	3	1	43.3	0.54	4 X 19.5	16.5	8 X 20.5
3G6N18M2	18.0	240	3	1	43.3	1.02	7.5 X 19.5	8.25	11.5 X 12.25
2G6N25M2	18.0	240	3	1	43.3	1.38	7.5 X 26.5	5.5	11.5 X 9.5
1G12N25M2	18.0	240	3	1	43.3	2.76	15 X 26.5	2.75	19 X 6.75

Hi-Temp Duct Heaters

Type G

Watt Density: 23

Gaumer Catalog Number	kW:	Volts:	Phase	Quantity Circuits	Total Amps	Face Area (Sq. Ft.)	Heater Duct Dim. Ht.x Lgth.(Inches)	Depth (Inches)	Heater Flange Ht.x Wdth.(Inches)
1G18N18M2	18.0	240	3	1	43.3	3.05	22.5 X 19.5	2.75	26.5 X 6.75
6G3N18M4p1	18.0	480	1	1	37.5	0.54	4 X 19.5	16.5	8 X 20.5
3G6N18M4p1	18.0	480	1	1	37.5	1.02	7.5 X 19.5	8.25	11.5 X 12.25
2G6N25M4p1	18.0	480	1	1	37.5	1.38	7.5 X 26.5	5.5	11.5 X 9.5
6G3N18M4	18.0	480	3	1	21.7	0.54	4 X 19.5	16.5	8 X 20.5
3G6N18M4	18.0	480	3	1	21.7	1.02	7.5 X 19.5	8.25	11.5 X 12.25
2G6N25M4	18.0	480	3	1	21.7	1.38	7.5 X 26.5	5.5	11.5 X 9.5
1G12N25M4	18.0	480	3	1	21.7	2.76	15 X 26.5	2.75	19 X 6.75
1G18N18M4	18.0	480	3	1	21.7	3.05	22.5 X 19.5	2.75	26.5 X 6.75

Hi-Temp Duct Heaters

Type G

Watt Density: 20

Gaumer Catalog Number	kW:	Volts:	Phase	Quantity Circuits	Total Amps	Face Area (Sq. Ft.)	Heater Duct Dim. Ht.x Lgth.(Inches)	Depth (Inches)	Heater Flange Ht.x Wdth.(Inches)
1G6N33B2Y	10.0	240	3	1	24.1	1.80	7.5 X 34.5	2.75	11.5 X 6.75
1G6N33B4Y	10.0	480	3	1	12.0	1.80	7.5 X 34.5	2.75	11.5 X 6.75
2G6N18B2Y	10.6	240	3	1	25.5	1.02	7.5 X 19.5	5.5	11.5 X 9.5
2G6N18B4Y	10.6	480	3	1	12.8	1.02	7.5 X 19.5	5.5	11.5 X 9.5
1G12N18B2Y	10.7	240	3	1	25.7	2.03	15 X 19.5	2.75	19 X 6.75
1G12N18B4Y	10.7	480	3	1	12.9	2.03	15 X 19.5	2.75	19 X 6.75
4G3N18B2Y	10.8	240	3	1	26.0	0.54	4 X 19.5	11	8 X 15
4G3N18B4Y	10.8	480	3	1	13.0	0.54	4 X 19.5	11	8 X 15
4G3N20B2Y	11.6	240	3	1	27.9	0.60	4 X 21.5	11	8 X 15
2G6N20B2Y	11.6	240	3	1	27.9	1.12	7.5 X 21.5	5.5	11.5 X 9.5
1G12N20B2Y	11.6	240	3	1	27.9	2.24	15 X 21.5	2.75	19 X 6.75
4G3N20B4Y	11.6	480	3	1	14.0	0.60	4 X 21.5	11	8 X 15
2G6N20B4Y	11.6	480	3	1	14.0	1.12	7.5 X 21.5	5.5	11.5 X 9.5
1G12N20B4Y	11.6	480	3	1	14.0	2.24	15 X 21.5	2.75	19 X 6.75
1G6N43B2Y	13.0	240	3	1	31.3	2.32	7.5 X 44.5	2.75	11.5 X 6.75
1G6N43B4Y	13.0	480	3	1	15.6	2.32	7.5 X 44.5	2.75	11.5 X 6.75
3G6N18B2Y	15.9	240	3	1	38.3	1.02	7.5 X 19.5	8.25	11.5 X 12.25
3G6N18B4Y	15.9	480	3	1	19.1	1.02	7.5 X 19.5	8.25	11.5 X 12.25
2G6N25B2Y	16.0	240	3	1	38.5	1.38	7.5 X 26.5	5.5	11.5 X 9.5
1G12N25B2Y	16.0	240	3	1	38.5	2.76	15 X 26.5	2.75	19 X 6.75
1G18N18B2Y	16.0	240	3	1	38.5	3.05	22.5 X 19.5	2.75	26.5 X 6.75
6G3N20B4Y	16.0	480	3	1	20.9	0.60	4 X 21.5	16.5	8 X 20.5
2G6N25B4Y	16.0	480	3	1	19.2	1.38	7.5 X 26.5	5.5	11.5 X 9.5
1G12N25B4Y	16.0	480	3	1	19.2	2.76	15 X 26.5	2.75	19 X 6.75
1G18N18B4Y	16.0	480	3	1	19.2	3.05	22.5 X 19.5	2.75	26.5 X 6.75
6G3N18B2Y	16.2	240	3	1	39.0	0.54	4 X 19.5	16.5	8 X 20.5
6G3N18B4Y	16.2	480	3	1	19.5	0.54	4 X 19.5	16.5	8 X 20.5
1G18N20B2Y	17.0	240	3	1	40.9	3.36	22.5 X 21.5	2.75	26.5 X 6.75
1G18N20B4Y	17.0	480	3	1	20.4	3.36	22.5 X 21.5	2.75	26.5 X 6.75
6G3N20B2Y	17.4	240	3	1	41.9	0.60	4 X 21.5	16.5	8 X 20.5
3G6N20B2Y	17.4	240	3	1	41.9	1.12	7.5 X 21.5	8.25	11.5 X 12.25
3G6N20B4Y	17.4	480	3	1	20.9	1.12	7.5 X 21.5	8.25	11.5 X 12.25
2G6N33B2Y	20.0	240	3	1	48.1	1.80	7.5 X 34.5	5.5	11.5 X 9.5
1G12N33B2Y	20.0	240	3	1	48.1	3.59	15 X 34.5	2.75	19 X 6.75
2G6N33B4Y	20.0	480	3	1	24.1	1.80	7.5 X 34.5	5.5	11.5 X 9.5
1G12N33B4Y	20.0	480	3	1	24.1	3.59	15 X 34.5	2.75	19 X 6.75

Hi-Temp Duct Heaters

Type G

Watt Density: 15

Gaumer Catalog Number	kW:	Volts:	Phase	Quantity Circuits	Total Amps	Face Area (Sq. Ft.)	Heater Duct Dim. Ht.x Lgth.(Inches)	Depth (Inches)	Heater Flange Ht.x Wdth.(Inches)
1G6N43B2Sp1	10.0	240	1	1	41.7	2.32	7.5 X 44.5	2.75	11.5 X 6.75
4G3N20H2Y	10.0	240	3	1	24.1	0.60	4 X 21.5	11	8 X 15
2G6N20H2Y	10.0	240	3	1	24.1	1.12	7.5 X 21.5	5.5	11.5 X 9.5
1G6N40H2Y	10.0	240	3	1	24.1	2.16	7.5 X 41.5	2.75	11.5 X 6.75
1G12N20H2Y	10.0	240	3	1	24.1	2.24	15 X 21.5	2.75	19 X 6.75
1G6N43B2S	10.0	240	3	1	24.1	2.32	7.5 X 44.5	2.75	11.5 X 6.75
1G6N43B4Sp1	10.0	480	1	1	20.8	2.32	7.5 X 44.5	2.75	11.5 X 6.75
4G3N20H4Y	10.0	480	3	1	12.0	0.60	4 X 21.5	11	8 X 15
2G6N20H4Y	10.0	480	3	1	12.0	1.12	7.5 X 21.5	5.5	11.5 X 9.5
1G6N40H4Y	10.0	480	3	1	12.0	2.16	7.5 X 41.5	2.75	11.5 X 6.75
1G12N20H4Y	10.0	480	3	1	12.0	2.24	15 X 21.5	2.75	19 X 6.75
1G6N43B4S	10.0	480	3	1	12.0	2.32	7.5 X 44.5	2.75	11.5 X 6.75
6G3N18B2D	12.0	120	1	2	100.0	0.54	4 X 19.5	16.5	8 X 20.5
6G3N18B4Dp1	12.0	240	1	2	50.0	0.54	4 X 19.5	16.5	8 X 20.5
3G6N18B2Sp1	12.0	240	1	2	50.0	1.02	7.5 X 19.5	8.25	11.5 X 12.25
2G6N25B2Sp1	12.0	240	1	2	50.0	1.38	7.5 X 26.5	5.5	11.5 X 9.5
6G3N18B4D	12.0	240	3	1	29.0	0.54	4 X 19.5	16.5	8 X 20.5
6G3N18H2Y	12.0	240	3	1	28.9	0.54	4 X 19.5	16.5	8 X 20.5
4G6N13H2Y	12.0	240	3	1	28.9	0.76	7.5 X 14.5	11	11.5 X 15
3G6N18B2S	12.0	240	3	1	28.9	1.02	7.5 X 19.5	8.25	11.5 X 12.25
3G6N18H2Y	12.0	240	3	1	28.9	1.02	7.5 X 19.5	8.25	11.5 X 12.25
2G6N25H2Y	12.0	240	3	1	28.9	1.38	7.5 X 26.5	5.5	11.5 X 9.5
2G6N25B2S	12.0	240	3	1	28.9	1.38	7.5 X 26.5	5.5	11.5 X 9.5
2G12N13H2Y	12.0	240	3	1	28.9	1.51	15 X 14.5	5.5	19 X 9.5
1G12N25H2Y	12.0	240	3	1	28.9	2.76	15 X 26.5	2.75	19 X 6.75
1G12N25B2S	12.0	240	3	1	28.9	2.76	15 X 26.5	2.75	19 X 6.75
1G24N13H2Y	12.0	240	3	1	28.9	3.02	30 X 14.5	2.75	34 X 6.75
1G18N18H2Y	12.0	240	3	1	28.9	3.05	22.5 X 19.5	2.75	26.5 X 6.75
1G18N18B2S	12.0	240	3	1	28.9	3.05	22.5 X 19.5	2.75	26.5 X 6.75
3G6N18B4Sp1	12.0	480	1	1	25.0	1.02	7.5 X 19.5	8.25	11.5 X 12.25
2G6N25B4Sp1	12.0	480	1	1	25.0	1.38	7.5 X 26.5	5.5	11.5 X 9.5
6G3N18H4Y	12.0	480	3	1	14.4	0.54	4 X 19.5	16.5	8 X 20.5
4G6N13H4Y	12.0	480	3	1	14.4	0.76	7.5 X 14.5	11	11.5 X 15
3G6N18B4S	12.0	480	3	1	14.4	1.02	7.5 X 19.5	8.25	11.5 X 12.25
3G6N18H4Y	12.0	480	3	1	14.4	1.02	7.5 X 19.5	8.25	11.5 X 12.25
2G6N25H4Y	12.0	480	3	1	14.4	1.38	7.5 X 26.5	5.5	11.5 X 9.5
2G6N25B4S	12.0	480	3	1	14.4	1.38	7.5 X 26.5	5.5	11.5 X 9.5
2G12N13H4Y	12.0	480	3	1	14.4	1.51	15 X 14.5	5.5	19 X 9.5
1G12N25B4S	12.0	480	3	1	14.4	2.76	15 X 26.5	2.75	19 X 6.75
1G12N25H4Y	12.0	480	3	1	14.4	2.76	15 X 26.5	2.75	19 X 6.75
1G24N13H4Y	12.0	480	3	1	14.4	3.02	30 X 14.5	2.75	34 X 6.75
1G18N18B4S	12.0	480	3	1	14.4	3.05	22.5 X 19.5	2.75	26.5 X 6.75
1G18N18H4Y	12.0	480	3	1	14.4	3.05	22.5 X 19.5	2.75	26.5 X 6.75
6G3N20B4Dp1	13.0	240	1	2	54.4	0.60	4 X 21.5	16.5	8 X 20.5
6G3N20B4D	13.0	240	3	2	54.4	0.60	4 X 21.5	16.5	8 X 20.5
1G18N20B2S	13.0	240	3	1	31.3	3.36	22.5 X 21.5	2.75	26.5 X 6.75
1G18N20B4S	13.0	480	3	1	15.6	3.36	22.5 X 21.5	2.75	26.5 X 6.75
6G3N20B2D	13.2	120	1	3	110.0	0.60	4 X 21.5	16.5	8 X 20.5

Hi-Temp Duct Heaters

Type G

Watt Density: 15

Gaumer Catalog Number	kW:	Volts:	Phase	Quantity Circuits	Total Amps	Face Area (Sq. Ft.)	Heater Duct Dim. Ht.x Lgth.(Inches)	Depth (Inches)	Heater Flange Ht.x Wdth.(Inches)
3G6N20B2Sp1	13.2	240	1	3	55.0	1.12	7.5 X 21.5	8.25	11.5 X 12.25
3G6N20B2S	13.2	240	3	1	31.8	1.12	7.5 X 21.5	8.25	11.5 X 12.25
3G6N20B4Sp1	13.2	480	1	1	27.5	1.12	7.5 X 21.5	8.25	11.5 X 12.25
3G6N20B4S	13.2	480	3	1	15.9	1.12	7.5 X 21.5	8.25	11.5 X 12.25
2G6N33B2Sp1	15.0	240	1	2	62.5	1.80	7.5 X 34.5	5.5	11.5 X 9.5
6G3N20H2Y	15.0	240	3	1	36.1	0.60	4 X 21.5	16.5	8 X 20.5
3G6N20H2Y	15.0	240	3	1	36.1	1.12	7.5 X 21.5	8.25	11.5 X 12.25
2G6N33B2S	15.0	240	3	1	36.1	1.80	7.5 X 34.5	5.5	11.5 X 9.5
1G18N20H2Y	15.0	240	3	1	36.1	3.36	22.5 X 21.5	2.75	26.5 X 6.75
1G12N33B2S	15.0	240	3	1	36.1	3.59	15 X 34.5	2.75	19 X 6.75
2G6N33B4Sp1	15.0	480	1	1	31.3	1.80	7.5 X 34.5	5.5	11.5 X 9.5
6G3N20H4Y	15.0	480	3	1	18.0	0.60	4 X 21.5	16.5	8 X 20.5
3G6N20H4Y	15.0	480	3	1	18.0	1.12	7.5 X 21.5	8.25	11.5 X 12.25
2G6N33B4S	15.0	480	3	1	18.0	1.80	7.5 X 34.5	5.5	11.5 X 9.5
1G18N20H4Y	15.0	480	3	1	18.0	3.36	22.5 X 21.5	2.75	26.5 X 6.75
1G12N33B4S	15.0	480	3	1	18.0	3.59	15 X 34.5	2.75	19 X 6.75
4G6N18B2Sp1	16.0	240	1	2	66.7	1.02	7.5 X 19.5	11	11.5 X 15
4G6N18H2Y	16.0	240	3	1	38.5	1.02	7.5 X 19.5	11	11.5 X 15
4G6N18B2S	16.0	240	3	1	38.5	1.02	7.5 X 19.5	11	11.5 X 15
2G6N33H2Y	16.0	240	3	1	38.5	1.80	7.5 X 34.5	5.5	11.5 X 9.5
2G12N18H2Y	16.0	240	3	1	38.5	2.03	15 X 19.5	5.5	19 X 9.5
2G12N18B2S	16.0	240	3	1	38.5	2.03	15 X 19.5	5.5	19 X 9.5
1G12N33H2Y	16.0	240	3	1	38.5	3.59	15 X 34.5	2.75	19 X 6.75
1G24N18H2Y	16.0	240	3	1	38.5	4.06	30 X 19.5	2.75	34 X 6.75
1G24N18B2S	16.0	240	3	1	38.5	4.06	30 X 19.5	2.75	34 X 6.75
4G6N18B4Sp1	16.0	480	1	1	33.3	1.02	7.5 X 19.5	11	11.5 X 15
4G6N18H4Y	16.0	480	3	1	19.2	1.02	7.5 X 19.5	11	11.5 X 15
4G6N18B4S	16.0	480	3	1	19.2	1.02	7.5 X 19.5	11	11.5 X 15
2G6N33H4Y	16.0	480	3	1	19.2	1.80	7.5 X 34.5	5.5	11.5 X 9.5
2G12N18H4Y	16.0	480	3	1	19.2	2.03	15 X 19.5	5.5	19 X 9.5
2G12N18B4S	16.0	480	3	1	19.2	2.03	15 X 19.5	5.5	19 X 9.5
1G12N33H4Y	16.0	480	3	1	19.2	3.59	15 X 34.5	2.75	19 X 6.75
1G24N18B4S	16.0	480	3	1	19.2	4.06	30 X 19.5	2.75	34 X 6.75
1G24N18H4Y	16.0	480	3	1	19.2	4.06	30 X 19.5	2.75	34 X 6.75
1G24N20B2S	17.0	240	3	1	40.9	4.48	30 X 21.5	2.75	34 X 6.75
1G24N20B4S	17.0	480	3	1	20.4	4.48	30 X 21.5	2.75	34 X 6.75
2G12N20B2S	17.4	240	3	1	41.9	2.24	15 X 21.5	5.5	19 X 9.5
2G12N20B4S	17.4	480	3	1	20.9	2.24	15 X 21.5	5.5	19 X 9.5
4G6N20B2Sp1	17.6	240	1	2	73.3	1.12	7.5 X 21.5	11	11.5 X 15
4G6N20B2S	17.6	240	3	1	42.3	1.12	7.5 X 21.5	11	11.5 X 15
4G6N20B4Sp1	17.6	480	1	1	36.7	1.12	7.5 X 21.5	11	11.5 X 15
4G6N20B4S	17.6	480	3	1	21.2	1.12	7.5 X 21.5	11	11.5 X 15
3G6N25B2Sp1	18.0	240	1	3	75.0	1.38	7.5 X 26.5	8.25	11.5 X 12.25
6G6N13H2Y	18.0	240	3	1	43.3	0.76	7.5 X 14.5	16.5	11.5 X 20.5
3G6N25H2Y	18.0	240	3	1	43.3	1.38	7.5 X 26.5	8.25	11.5 X 12.25
3G6N25B2S	18.0	240	3	1	43.3	1.38	7.5 X 26.5	8.25	11.5 X 12.25
3G12N13H2Y	18.0	240	3	1	43.3	1.51	15 X 14.5	8.25	19 X 12.25
2G18N13H2Y	18.0	240	3	1	43.3	2.27	22.5 X 14.5	5.5	26.5 X 9.5

Hi-Temp Duct Heaters

Type G

Watt Density: 15

Gaumer Catalog Number	kW:	Volts:	Phase	Quantity Circuits	Total Amps	Face Area (Sq. Ft.)	Heater Duct Dim. Ht.x Lgth.(Inches)	Depth (Inches)	Heater Flange Ht.x Wdth.(Inches)
1G18N25B2S	18.0	240	3	1	43.3	4.14	22.5 X 26.5	2.75	26.5 X 6.75
1G18N25H2Y	18.0	240	3	1	43.3	4.14	22.5 X 26.5	2.75	26.5 X 6.75
3G6N25B4Sp1	18.0	480	1	1	37.5	1.38	7.5 X 26.5	8.25	11.5 X 12.25
6G6N13H4Y	18.0	480	3	1	21.7	0.76	7.5 X 14.5	16.5	11.5 X 20.5
3G6N25H4Y	18.0	480	3	1	21.7	1.38	7.5 X 26.5	8.25	11.5 X 12.25
3G6N25B4S	18.0	480	3	1	21.7	1.38	7.5 X 26.5	8.25	11.5 X 12.25
3G12N13H4Y	18.0	480	3	1	21.7	1.51	15 X 14.5	8.25	19 X 12.25
2G18N13H4Y	18.0	480	3	1	21.7	2.27	22.5 X 14.5	5.5	26.5 X 9.5
1G18N25B4S	18.0	480	3	1	21.7	4.14	22.5 X 26.5	2.75	26.5 X 6.75
1G18N25H4Y	18.0	480	3	1	21.7	4.14	22.5 X 26.5	2.75	26.5 X 6.75
4G6N20H2Y	20.0	240	3	1	48.1	1.12	7.5 X 21.5	11	11.5 X 15
2G6N40H2Y	20.0	240	3	1	48.1	2.16	7.5 X 41.5	5.5	11.5 X 9.5
2G12N20H2Y	20.0	240	3	1	48.1	2.24	15 X 21.5	5.5	19 X 9.5
2G6N43B2S	20.0	240	3	1	48.1	2.32	7.5 X 44.5	5.5	11.5 X 9.5
1G12N40H2Y	20.0	240	3	1	48.1	4.32	15 X 41.5	2.75	19 X 6.75
1G24N20H2Y	20.0	240	3	1	48.1	4.48	30 X 21.5	2.75	34 X 6.75
1G12N43B2S	20.0	240	3	1	48.1	4.64	15 X 44.5	2.75	19 X 6.75
2G6N43B4Sp1	20.0	480	1	1	41.7	2.32	7.5 X 44.5	5.5	11.5 X 9.5
4G6N20H4Y	20.0	480	3	1	24.1	1.12	7.5 X 21.5	11	11.5 X 15
2G6N40H4Y	20.0	480	3	1	24.1	2.16	7.5 X 41.5	5.5	11.5 X 9.5
2G12N20H4Y	20.0	480	3	1	24.1	2.24	15 X 21.5	5.5	19 X 9.5
2G6N43B4S	20.0	480	3	1	24.1	2.32	7.5 X 44.5	5.5	11.5 X 9.5
1G12N40H4Y	20.0	480	3	1	24.1	4.32	15 X 41.5	2.75	19 X 6.75
1G24N20H4Y	20.0	480	3	1	24.1	4.48	30 X 21.5	2.75	34 X 6.75
1G12N43B4S	20.0	480	3	1	24.1	4.64	15 X 44.5	2.75	19 X 6.75

Hi-Temp Duct Heaters

Type G

Watt Density: 12

Gaumer Catalog Number	kW:	Volts:	Phase	Quantity Circuits	Total Amps	Face Area (Sq. Ft.)	Heater Duct Dim. Ht.x Lgth.(Inches)	Depth (Inches)	Heater Flange Ht.x Wdth.(Inches)
6G3N20H4Dp1	11.2	240	1	1	46.9	0.60	4 X 21.5	16.5	8 X 20.5
6G3N20H4D	11.2	240	3	1	46.9	0.60	4 X 21.5	16.5	8 X 20.5
1G18N20H2S	11.3	240	3	1	27.2	3.36	22.5 X 21.5	2.75	26.5 X 6.75
1G18N20H4S	11.3	480	3	1	13.6	3.36	22.5 X 21.5	2.75	26.5 X 6.75
6G3N20H2D	11.4	120	1	2	95.0	0.60	4 X 21.5	16.5	8 X 20.5
3G6N20H2Sp1	11.4	240	1	1	47.5	1.12	7.5 X 21.5	8.25	11.5 X 12.25
3G6N20H2S	11.4	240	3	1	27.4	1.12	7.5 X 21.5	8.25	11.5 X 12.25
3G6N20H4Sp1	11.4	480	1	1	23.8	1.12	7.5 X 21.5	8.25	11.5 X 12.25
3G6N20H4S	11.4	480	3	1	13.7	1.12	7.5 X 21.5	8.25	11.5 X 12.25
4G6N18H2Sp1	12.0	240	1	2	50.0	1.02	7.5 X 19.5	11	11.5 X 15
2G6N33H2Sp1	12.0	240	1	2	50.0	1.80	7.5 X 34.5	5.5	11.5 X 9.5
4G6N18H2S	12.0	240	3	1	28.9	1.02	7.5 X 19.5	11	11.5 X 15
2G6N33H2S	12.0	240	3	1	28.9	1.80	7.5 X 34.5	5.5	11.5 X 9.5
2G12N18H2S	12.0	240	3	1	28.9	2.03	15 X 19.5	5.5	19 X 9.5
1G12N33H2S	12.0	240	3	1	28.9	3.59	15 X 34.5	2.75	19 X 6.75
1G24N18H2S	12.0	240	3	1	28.9	4.06	30 X 19.5	2.75	34 X 6.75
4G6N18H4Sp1	12.0	480	1	1	25.0	1.02	7.5 X 19.5	11	11.5 X 15
2G6N33H4Sp1	12.0	480	1	1	25.0	1.80	7.5 X 34.5	5.5	11.5 X 9.5
4G6N18H4S	12.0	480	3	1	14.4	1.02	7.5 X 19.5	11	11.5 X 15
2G6N33H4S	12.0	480	3	1	14.4	1.80	7.5 X 34.5	5.5	11.5 X 9.5
2G12N18H4S	12.0	480	3	1	14.4	2.03	15 X 19.5	5.5	19 X 9.5
1G12N33H4S	12.0	480	3	1	14.4	3.59	15 X 34.5	2.75	19 X 6.75
1G24N18H4S	12.0	480	3	1	14.4	4.06	30 X 19.5	2.75	34 X 6.75
6G6N13H2Sp1	13.2	240	1	2	55.0	0.76	7.5 X 14.5	16.5	11.5 X 20.5
6G6N13H2S	13.2	240	3	1	31.8	0.76	7.5 X 14.5	16.5	11.5 X 20.5
6G6N13H4Sp1	13.2	480	1	1	27.5	0.76	7.5 X 14.5	16.5	11.5 X 20.5
6G6N13H4S	13.2	480	3	1	15.9	0.76	7.5 X 14.5	16.5	11.5 X 20.5
2G18N13H2S	13.4	240	3	1	32.2	2.27	22.5 X 14.5	5.5	26.5 X 9.5
2G18N13H4S	13.4	480	3	1	16.1	2.27	22.5 X 14.5	5.5	26.5 X 9.5
3G6N25H2Sp1	13.5	240	1	3	56.3	1.38	7.5 X 26.5	8.25	11.5 X 12.25
3G6N25H2S	13.5	240	3	1	32.5	1.38	7.5 X 26.5	8.25	11.5 X 12.25
3G12N13H2S	13.5	240	3	1	32.5	1.51	15 X 14.5	8.25	19 X 12.25
3G6N25H4Sp1	13.5	480	1	1	28.1	1.38	7.5 X 26.5	8.25	11.5 X 12.25
3G6N25H4S	13.5	480	3	1	16.2	1.38	7.5 X 26.5	8.25	11.5 X 12.25
3G12N13H4S	13.5	480	3	1	16.2	1.51	15 X 14.5	8.25	19 X 12.25
1G18N25H2S	14.0	240	3	1	33.7	4.14	22.5 X 26.5	2.75	26.5 X 6.75
1G18N25H4S	14.0	480	3	1	16.8	4.14	22.5 X 26.5	2.75	26.5 X 6.75
2G6N40H2Sp1	15.0	240	1	2	62.5	2.16	7.5 X 41.5	5.5	11.5 X 9.5
2G6N40H2S	15.0	240	3	1	36.1	2.16	7.5 X 41.5	5.5	11.5 X 9.5
2G12N20H2S	15.0	240	3	1	36.1	2.24	15 X 21.5	5.5	19 X 9.5
1G12N40H2S	15.0	240	3	1	36.1	4.32	15 X 41.5	2.75	19 X 6.75
1G24N20H2S	15.0	240	3	1	36.1	4.48	30 X 21.5	2.75	34 X 6.75
2G6N40H4Sp1	15.0	480	1	1	31.3	2.16	7.5 X 41.5	5.5	11.5 X 9.5
2G6N40H4S	15.0	480	3	1	18.0	2.16	7.5 X 41.5	5.5	11.5 X 9.5
2G12N20H4S	15.0	480	3	1	18.0	2.24	15 X 21.5	5.5	19 X 9.5
1G12N40H4S	15.0	480	3	1	18.0	4.32	15 X 41.5	2.75	19 X 6.75
1G24N20H4S	15.0	480	3	1	18.0	4.48	30 X 21.5	2.75	34 X 6.75
4G6N20H2Sp1	15.2	240	1	2	63.3	1.12	7.5 X 21.5	11	11.5 X 15

Hi-Temp Duct Heaters

Type G

Watt Density: 12

Gaumer Catalog Number	kW:	Volts:	Phase	Quantity Circuits	Total Amps	Face Area (Sq. Ft.)	Heater Duct Dim. Ht.x Lgth.(Inches)	Depth (Inches)	Heater Flange Ht.x Wdth.(Inches)
4G6N20H2S	15.2	240	3	1	36.6	1.12	7.5 X 21.5	11	11.5 X 15
4G6N20H4Sp1	15.2	480	1	1	31.7	1.12	7.5 X 21.5	11	11.5 X 15
4G6N20H4S	15.2	480	3	1	18.3	1.12	7.5 X 21.5	11	11.5 X 15
8G6N13H2Sp1	17.6	240	1	2	73.3	0.76	7.5 X 14.5	22	11.5 X 26
8G6N13H2S	17.6	240	3	1	42.3	0.76	7.5 X 14.5	22	11.5 X 26
8G6N13H4Sp1	17.6	480	1	1	36.7	0.76	7.5 X 14.5	22	11.5 X 26
8G6N13H4S	17.6	480	3	1	21.2	0.76	7.5 X 14.5	22	11.5 X 26
6G6N18H2Sp1	18.0	240	1	2	75.0	1.02	7.5 X 19.5	16.5	11.5 X 20.5
4G6N25H2Sp1	18.0	240	1	2	75.0	1.38	7.5 X 26.5	11	11.5 X 15
3G6N33H2Sp1	18.0	240	1	3	75.0	1.80	7.5 X 34.5	8.25	11.5 X 12.25
6G6N18H2S	18.0	240	3	1	43.3	1.02	7.5 X 19.5	16.5	11.5 X 20.5
4G6N25H2S	18.0	240	3	1	43.3	1.38	7.5 X 26.5	11	11.5 X 15
4G12N13H2S	18.0	240	3	1	43.3	1.51	15 X 14.5	11	19 X 15
3G6N33H2S	18.0	240	3	1	43.3	1.80	7.5 X 34.5	8.25	11.5 X 12.25
3G12N18H2S	18.0	240	3	1	43.3	2.03	15 X 19.5	8.25	19 X 12.25
2G12N25H2S	18.0	240	3	1	43.3	2.76	15 X 26.5	5.5	19 X 9.5
2G24N13H2S	18.0	240	3	1	43.3	3.02	30 X 14.5	5.5	34 X 9.5
2G18N18H2S	18.0	240	3	1	43.3	3.05	22.5 X 19.5	5.5	26.5 X 9.5
1G12N48H2S	18.0	240	3	1	43.3	5.16	15 X 49.5	2.75	19 X 6.75
1G18N33H2S	18.0	240	3	1	43.3	5.39	22.5 X 34.5	2.75	26.5 X 6.75
1G24N25H2S	18.0	240	3	1	43.3	5.52	30 X 26.5	2.75	34 X 6.75
6G6N18H4Sp1	18.0	480	1	1	37.5	1.02	7.5 X 19.5	16.5	11.5 X 20.5
4G6N25H4Sp1	18.0	480	1	1	37.5	1.38	7.5 X 26.5	11	11.5 X 15
3G6N33H4Sp1	18.0	480	1	1	37.5	1.80	7.5 X 34.5	8.25	11.5 X 12.25
6G6N18H4S	18.0	480	3	1	21.7	1.02	7.5 X 19.5	16.5	11.5 X 20.5
4G6N25H4S	18.0	480	3	1	21.7	1.38	7.5 X 26.5	11	11.5 X 15
4G12N13H4S	18.0	480	3	1	21.7	1.51	15 X 14.5	11	19 X 15
3G6N33H4S	18.0	480	3	1	21.7	1.80	7.5 X 34.5	8.25	11.5 X 12.25
3G12N18H4S	18.0	480	3	1	21.7	2.03	15 X 19.5	8.25	19 X 12.25
2G12N25H4S	18.0	480	3	1	21.7	2.76	15 X 26.5	5.5	19 X 9.5
2G24N13H4S	18.0	480	3	1	21.7	3.02	30 X 14.5	5.5	34 X 9.5
2G18N18H4S	18.0	480	3	1	21.7	3.05	22.5 X 19.5	5.5	26.5 X 9.5
1G12N48H4S	18.0	480	3	1	21.7	5.16	15 X 49.5	2.75	19 X 6.75
1G18N33H4S	18.0	480	3	1	21.7	5.39	22.5 X 34.5	2.75	26.5 X 6.75
1G24N25H4S	18.0	480	3	1	21.7	5.52	30 X 26.5	2.75	34 X 6.75

Hi-Temp Duct Heaters

Type G

Watt Density: 8

Gaumer Catalog Number	kW:	Volts:	Phase	Quantity Circuits	Total Amps	Face Area (Sq. Ft.)	Heater Duct Dim. Ht.x Lgth.(Inches)	Depth (Inches)	Heater Flange Ht.x Wdth.(Inches)
4G6N20M2Y	10.0	240	3	1	24.1	1.12	7.5 X 21.5	11	11.5 X 15
2G6N40M2Y	10.0	240	3	1	24.1	2.16	7.5 X 41.5	5.5	11.5 X 9.5
2G12N20M2Y	10.0	240	3	1	24.1	2.24	15 X 21.5	5.5	19 X 9.5
1G12N40M2Y	10.0	240	3	1	24.1	4.32	15 X 41.5	2.75	19 X 6.75
4G6N20M4Y	10.0	480	3	1	12.0	1.12	7.5 X 21.5	11	11.5 X 15
2G6N40M4Y	10.0	480	3	1	12.0	2.16	7.5 X 41.5	5.5	11.5 X 9.5
2G12N20M4Y	10.0	480	3	1	12.0	2.24	15 X 21.5	5.5	19 X 9.5
1G12N40M4Y	10.0	480	3	1	12.0	4.32	15 X 41.5	2.75	19 X 6.75
8G6N13M2Y	11.2	240	3	1	27.2	0.76	7.5 X 14.5	22	11.5 X 26
8G6N13M4Y	11.2	480	3	1	13.6	0.76	7.5 X 14.5	22	11.5 X 26
6G6N18M2Y	12.0	240	3	1	28.9	1.02	7.5 X 19.5	16.5	11.5 X 20.5
4G6N25M2Y	12.0	240	3	1	28.9	1.38	7.5 X 26.5	11	11.5 X 15
3G6N33M2Y	12.0	240	3	1	28.9	1.80	7.5 X 34.5	8.25	11.5 X 12.25
3G12N18M2Y	12.0	240	3	1	28.9	2.03	15 X 19.5	8.25	19 X 12.25
2G12N25M2Y	12.0	240	3	1	28.9	2.76	15 X 26.5	5.5	19 X 9.5
1G12N48M2Y	12.0	240	3	1	28.9	5.16	15 X 49.5	2.75	19 X 6.75
6G6N18M4Y	12.0	480	3	1	14.4	1.02	7.5 X 19.5	16.5	11.5 X 20.5
4G6N25M4Y	12.0	480	3	1	14.4	1.38	7.5 X 26.5	11	11.5 X 15
3G6N33M4Y	12.0	480	3	1	14.4	1.80	7.5 X 34.5	8.25	11.5 X 12.25
3G12N18M4Y	12.0	480	3	1	14.4	2.03	15 X 19.5	8.25	19 X 12.25
2G12N25M4Y	12.0	480	3	1	14.4	2.76	15 X 26.5	5.5	19 X 9.5
1G12N48M4Y	12.0	480	3	1	14.4	5.16	15 X 49.5	2.75	19 X 6.75
1G12N52M2Y	13.0	240	3	1	31.3	5.57	15 X 53.5	2.75	19 X 6.75
1G12N52M4Y	13.0	480	3	1	15.6	5.57	15 X 53.5	2.75	19 X 6.75
6G6N20M2Y	15.0	240	3	1	36.1	1.12	7.5 X 21.5	16.5	11.5 X 20.5
3G6N40M2Y	15.0	240	3	1	36.1	2.16	7.5 X 41.5	8.25	11.5 X 12.25
3G12N20M2Y	15.0	240	3	1	36.1	2.24	15 X 21.5	8.25	19 X 12.25
6G6N20M4Y	15.0	480	3	1	18.0	1.12	7.5 X 21.5	16.5	11.5 X 20.5
3G6N40M4Y	15.0	480	3	1	18.0	2.16	7.5 X 41.5	8.25	11.5 X 12.25
3G12N20M4Y	15.0	480	3	1	18.0	2.24	15 X 21.5	8.25	19 X 12.25
8G6N18M2Y	16.0	240	3	1	38.5	1.02	7.5 X 19.5	22	11.5 X 26
4G6N33M2Y	16.0	240	3	1	38.5	1.80	7.5 X 34.5	11	11.5 X 15
4G12N18M2Y	16.0	240	3	1	38.5	2.03	15 X 19.5	11	19 X 15
2G12N33M2Y	16.0	240	3	1	38.5	3.59	15 X 34.5	5.5	19 X 9.5
8G6N18M4Y	16.0	480	3	1	19.2	1.02	7.5 X 19.5	22	11.5 X 26
4G6N33M4Y	16.0	480	3	1	19.2	1.80	7.5 X 34.5	11	11.5 X 15
4G12N18M4Y	16.0	480	3	1	19.2	2.03	15 X 19.5	11	19 X 15
2G12N33M4Y	16.0	480	3	1	19.2	3.59	15 X 34.5	5.5	19 X 9.5
12G6N13M2Y	16.8	240	3	1	40.8	0.76	7.5 X 14.5	33	11.5 X 37
12G6N13M4Y	16.8	480	3	1	20.4	0.76	7.5 X 14.5	33	11.5 X 37
1G12N64M2Y	17.0	240	3	1	40.9	6.82	15 X 65.5	2.75	19 X 6.75
1G12N64M4Y	17.0	480	3	1	20.4	6.82	15 X 65.5	2.75	19 X 6.75
6G6N25M2Y	18.0	240	3	1	43.3	1.38	7.5 X 26.5	16.5	11.5 X 20.5
3G12N25M2Y	18.0	240	3	1	43.3	2.76	15 X 26.5	8.25	19 X 12.25
6G6N25M4Y	18.0	480	3	1	21.7	1.38	7.5 X 26.5	16.5	11.5 X 20.5
3G12N25M4Y	18.0	480	3	1	21.7	2.76	15 X 26.5	8.25	19 X 12.25
8G6N20M2Y	20.0	240	3	1	48.1	1.12	7.5 X 21.5	22	11.5 X 26
4G6N40M2Y	20.0	240	3	1	48.1	2.16	7.5 X 41.5	11	11.5 X 15

Hi-Temp Duct Heaters

Type G

Watt Density: 8

Gaumer Catalog Number	kW:	Volts:	Phase	Quantity Circuits	Total Amps	Face Area (Sq. Ft.)	Heater Duct Dim. Ht.x Lgth.(Inches)	Depth (Inches)	Heater Flange Ht.x Wdth.(Inches)
4G12N20M2Y	20.0	240	3	1	48.1	2.24	15 X 21.5	11	19 X 15
2G12N40M2Y	20.0	240	3	1	48.1	4.32	15 X 41.5	5.5	19 X 9.5
1G12N77M2Y	20.0	240	3	1	48.1	8.18	15 X 78.5	2.75	19 X 6.75
8G6N20M4Y	20.0	480	3	1	24.1	1.12	7.5 X 21.5	22	11.5 X 26
4G6N40M4Y	20.0	480	3	1	24.1	2.16	7.5 X 41.5	11	11.5 X 15
4G12N20M4Y	20.0	480	3	1	24.1	2.24	15 X 21.5	11	19 X 15
2G12N40M4Y	20.0	480	3	1	24.1	4.32	15 X 41.5	5.5	19 X 9.5
1G12N77M4Y	20.0	480	3	1	24.1	8.18	15 X 78.5	2.75	19 X 6.75
1G18N52M4Y	20.0	480	3	1	24.1	8.36	22.5 X 53.5	2.75	26.5 X 6.75

Hi-Temp Duct Heaters

Type G

Watt Density: **6**

Gaumer Catalog Number	kW:	Volts:	Phase	Quantity Circuits	Total Amps	Face Area (Sq. Ft.)	Heater Duct Dim. Ht.x Lgth.(Inches)	Depth (Inches)	Heater Flange Ht.x Wdth.(Inches)
1G12N52M2S	10.0	240	3	1	24.1	5.57	15 X 53.5	2.75	19 X 6.75
1G12N52M4S	10.0	480	3	1	12.0	5.57	15 X 53.5	2.75	19 X 6.75
3G6N40M2Sp1	11.1	240	1	1	46.3	2.16	7.5 X 41.5	8.25	11.5 X 12.25
3G6N40M2S	11.1	240	3	1	26.7	2.16	7.5 X 41.5	8.25	11.5 X 12.25
3G12N20M2S	11.1	240	3	1	26.7	2.24	15 X 21.5	8.25	19 X 12.25
3G6N40M4Sp1	11.1	480	1	1	23.1	2.16	7.5 X 41.5	8.25	11.5 X 12.25
3G6N40M4S	11.1	480	3	1	13.4	2.16	7.5 X 41.5	8.25	11.5 X 12.25
3G12N20M4S	11.1	480	3	1	13.4	2.24	15 X 21.5	8.25	19 X 12.25
1G18N40M2S	11.2	240	3	1	26.9	6.48	22.5 X 41.5	2.75	26.5 X 6.75
1G18N40M4S	11.2	480	3	1	13.5	6.48	22.5 X 41.5	2.75	26.5 X 6.75
6G6N20M2Sp1	11.4	240	1	1	47.5	1.12	7.5 X 21.5	16.5	11.5 X 20.5
12G3N20M4D	11.4	240	3	1	27.6	0.60	4 X 21.5	33	8 X 37
6G6N20M2S	11.4	240	3	1	27.4	1.12	7.5 X 21.5	16.5	11.5 X 20.5
6G6N20M4Sp1	11.4	480	1	1	23.8	1.12	7.5 X 21.5	16.5	11.5 X 20.5
6G6N20M4S	11.4	480	3	1	13.7	1.12	7.5 X 21.5	16.5	11.5 X 20.5
8G6N18M2Sp1	12.0	240	1	2	50.0	1.02	7.5 X 19.5	22	11.5 X 26
4G6N33M2Sp1	12.0	240	1	2	50.0	1.80	7.5 X 34.5	11	11.5 X 15
8G6N18M2S	12.0	240	3	1	28.9	1.02	7.5 X 19.5	22	11.5 X 26
4G6N33M2S	12.0	240	3	1	28.9	1.80	7.5 X 34.5	11	11.5 X 15
4G12N18M2S	12.0	240	3	1	28.9	2.03	15 X 19.5	11	19 X 15
2G12N33M2S	12.0	240	3	1	28.9	3.59	15 X 34.5	5.5	19 X 9.5
1G24N33M2S	12.0	240	3	1	28.9	7.19	30 X 34.5	2.75	34 X 6.75
8G6N18M4Sp1	12.0	480	1	1	25.0	1.02	7.5 X 19.5	22	11.5 X 26
4G6N33M4Sp1	12.0	480	1	1	25.0	1.80	7.5 X 34.5	11	11.5 X 15
8G6N18M4S	12.0	480	3	1	14.4	1.02	7.5 X 19.5	22	11.5 X 26
4G6N33M4S	12.0	480	3	1	14.4	1.80	7.5 X 34.5	11	11.5 X 15
4G12N18M4S	12.0	480	3	1	14.4	2.03	15 X 19.5	11	19 X 15
2G12N33M4S	12.0	480	3	1	14.4	3.59	15 X 34.5	5.5	19 X 9.5
1G24N33M4S	12.0	480	3	1	14.4	7.19	30 X 34.5	2.75	34 X 6.75
1G12N64M2S	13.0	240	3	1	31.3	6.82	15 X 65.5	2.75	19 X 6.75
1G12N64M4S	13.0	480	3	1	15.6	6.82	15 X 65.5	2.75	19 X 6.75
6G6N25M2Sp1	13.2	240	1	2	55.0	1.38	7.5 X 26.5	16.5	11.5 X 20.5
6G6N25M2S	13.2	240	3	1	31.8	1.38	7.5 X 26.5	16.5	11.5 X 20.5
6G6N25M4Sp1	13.2	480	1	1	27.5	1.38	7.5 X 26.5	16.5	11.5 X 20.5
6G6N25M4S	13.2	480	3	1	15.9	1.38	7.5 X 26.5	16.5	11.5 X 20.5
3G12N25M2S	13.5	240	3	1	32.5	2.76	15 X 26.5	8.25	19 X 12.25
3G12N25M4S	13.5	480	3	1	16.2	2.76	15 X 26.5	8.25	19 X 12.25
1G18N48M2S	14.0	240	3	1	33.7	7.73	22.5 X 49.5	2.75	26.5 X 6.75
1G18N48M4S	14.0	480	3	1	16.8	7.73	22.5 X 49.5	2.75	26.5 X 6.75
4G6N40M2Sp1	14.8	240	1	2	61.7	2.16	7.5 X 41.5	11	11.5 X 15
4G6N40M2S	14.8	240	3	1	35.6	2.16	7.5 X 41.5	11	11.5 X 15
4G12N20M2S	14.8	240	3	1	35.6	2.24	15 X 21.5	11	19 X 15
4G6N40M4Sp1	14.8	480	1	1	30.8	2.16	7.5 X 41.5	11	11.5 X 15
4G6N40M4S	14.8	480	3	1	17.8	2.16	7.5 X 41.5	11	11.5 X 15
4G12N20M4S	14.8	480	3	1	17.8	2.24	15 X 21.5	11	19 X 15
2G12N40M2S	15.0	240	3	1	36.1	4.32	15 X 41.5	5.5	19 X 9.5
1G12N77M2S	15.0	240	3	1	36.1	8.18	15 X 78.5	2.75	19 X 6.75
1G18N52M2S	15.0	240	3	1	36.1	8.36	22.5 X 53.5	2.75	26.5 X 6.75

Hi-Temp Duct Heaters

Type G

Watt Density:

6

Gaumer Catalog Number	kW:	Volts:	Phase	Quantity Circuits	Total Amps	Face Area (Sq. Ft.)	Heater Duct Dim. Ht.x Lgth.(Inches)	Depth (Inches)	Heater Flange Ht.x Wdth.(Inches)
1G24N40M2S	15.0	240	3	1	36.1	8.65	30 X 41.5	2.75	34 X 6.75
2G12N40M4S	15.0	480	3	1	18.0	4.32	15 X 41.5	5.5	19 X 9.5
1G12N77M4S	15.0	480	3	1	18.0	8.18	15 X 78.5	2.75	19 X 6.75
1G18N52M4S	15.0	480	3	1	18.0	8.36	22.5 X 53.5	2.75	26.5 X 6.75
1G24N40M4S	15.0	480	3	1	18.0	8.65	30 X 41.5	2.75	34 X 6.75
8G6N20M2Sp1	15.2	240	1	2	63.3	1.12	7.5 X 21.5	22	11.5 X 26
8G6N20M2S	15.2	240	3	1	36.6	1.12	7.5 X 21.5	22	11.5 X 26
8G6N20M4Sp1	15.2	480	1	1	31.7	1.12	7.5 X 21.5	22	11.5 X 26
8G6N20M4S	15.2	480	3	1	18.3	1.12	7.5 X 21.5	22	11.5 X 26
1G12N88M4S	17.0	480	3	1	20.4	9.32	15 X 89.5	2.75	19 X 6.75
8G6N25M2Sp1	17.6	240	1	2	73.3	1.38	7.5 X 26.5	22	11.5 X 26
8G6N25M2S	17.6	240	3	1	42.3	1.38	7.5 X 26.5	22	11.5 X 26
8G6N25M4Sp1	17.6	480	1	1	36.7	1.38	7.5 X 26.5	22	11.5 X 26
8G6N25M4S	17.6	480	3	1	21.2	1.38	7.5 X 26.5	22	11.5 X 26
12G6N18M2Sp1	18.0	240	1	2	75.0	1.02	7.5 X 19.5	33	11.5 X 37
6G6N33M2Sp1	18.0	240	1	2	75.0	1.80	7.5 X 34.5	16.5	11.5 X 20.5
12G6N18M2S	18.0	240	3	1	43.3	1.02	7.5 X 19.5	33	11.5 X 37
6G6N33M2S	18.0	240	3	1	43.3	1.80	7.5 X 34.5	16.5	11.5 X 20.5
6G12N18M2S	18.0	240	3	1	43.3	2.03	15 X 19.5	16.5	19 X 20.5
4G12N25M2S	18.0	240	3	1	43.3	2.76	15 X 26.5	11	19 X 15
3G12N33M2S	18.0	240	3	1	43.3	3.59	15 X 34.5	8.25	19 X 12.25
2G12N48M2S	18.0	240	3	1	43.3	5.16	15 X 49.5	5.5	19 X 9.5
2G18N33M2S	18.0	240	3	1	43.3	5.39	22.5 X 34.5	5.5	26.5 X 9.5
1G24N48M2S	18.0	240	3	1	43.3	10.31	30 X 49.5	2.75	34 X 6.75
1G36N33M2S	18.0	240	3	1	43.3	10.78	45 X 34.5	2.75	49 X 6.75
12G6N18M4Sp1	18.0	480	1	1	37.5	1.02	7.5 X 19.5	33	11.5 X 37
6G6N33M4Sp1	18.0	480	1	1	37.5	1.80	7.5 X 34.5	16.5	11.5 X 20.5
12G6N18M4S	18.0	480	3	1	21.7	1.02	7.5 X 19.5	33	11.5 X 37
6G6N33M4S	18.0	480	3	1	21.7	1.80	7.5 X 34.5	16.5	11.5 X 20.5
6G12N18M4S	18.0	480	3	1	21.7	2.03	15 X 19.5	16.5	19 X 20.5
4G12N25M4S	18.0	480	3	1	21.7	2.76	15 X 26.5	11	19 X 15
3G12N33M4S	18.0	480	3	1	21.7	3.59	15 X 34.5	8.25	19 X 12.25
2G12N48M4S	18.0	480	3	1	21.7	5.16	15 X 49.5	5.5	19 X 9.5
2G18N33M4S	18.0	480	3	1	21.7	5.39	22.5 X 34.5	5.5	26.5 X 9.5
1G24N48M4S	18.0	480	3	1	21.7	10.31	30 X 49.5	2.75	34 X 6.75
1G36N33M4S	18.0	480	3	1	21.7	10.78	45 X 34.5	2.75	49 X 6.75
1G18N64M2S	19.0	240	3	1	45.7	10.23	22.5 X 65.5	2.75	26.5 X 6.75
1G18N64M4S	19.0	480	3	1	22.9	10.23	22.5 X 65.5	2.75	26.5 X 6.75
2G12N52M2S	20.0	240	3	1	48.1	5.57	15 X 53.5	5.5	19 X 9.5
1G24N52M2S	20.0	240	3	1	48.1	11.15	30 X 53.5	2.75	34 X 6.75
2G12N52M4S	20.0	480	3	1	24.1	5.57	15 X 53.5	5.5	19 X 9.5
1G24N52M4S	20.0	480	3	1	24.1	11.15	30 X 53.5	2.75	34 X 6.75

Hi-Temp Duct Heaters

Type G

Watt Density:

4

Gaumer Catalog Number	kW:	Volts:	Phase	Quantity Circuits	Total Amps	Face Area (Sq. Ft.)	Heater Duct Dim. Ht.x Lgth.(Inches)	Depth (Inches)	Heater Flange Ht.x Wdth.(Inches)
4G6N40H4SY	10.0	480	3	1	12.0	2.16	7.5 X 41.5	11	11.5 X 15
4G12N20H4SY	10.0	480	3	1	12.0	2.24	15 X 21.5	11	19 X 15
2G12N40H4SY	10.0	480	3	1	12.0	4.32	15 X 41.5	5.5	19 X 9.5
2G24N20H4SY	10.0	480	3	1	12.0	4.48	30 X 21.5	5.5	34 X 9.5
1G24N40H4SY	10.0	480	3	1	12.0	8.65	30 X 41.5	2.75	34 X 6.75
8G6N20H4SY	10.4	480	3	1	12.5	1.12	7.5 X 21.5	22	11.5 X 26
1G12N78H4SY	11.1	480	3	1	13.4	8.28	15 X 79.5	2.75	19 X 6.75
3G18N20H4SY	11.4	480	3	1	13.7	3.36	22.5 X 21.5	8.25	26.5 X 12.25
12G6N18H4SY	12.0	480	3	1	14.4	1.02	7.5 X 19.5	33	11.5 X 37
8G6N25H4SY	12.0	480	3	1	14.4	1.38	7.5 X 26.5	22	11.5 X 26
8G12N13H4SY	12.0	480	3	1	14.4	1.51	15 X 14.5	22	19 X 26
6G6N33H4SY	12.0	480	3	1	14.4	1.80	7.5 X 34.5	16.5	11.5 X 20.5
6G12N18H4SY	12.0	480	3	1	14.4	2.03	15 X 19.5	16.5	19 X 20.5
4G12N25H4SY	12.0	480	3	1	14.4	2.76	15 X 26.5	11	19 X 15
4G24N13H4SY	12.0	480	3	1	14.4	3.02	30 X 14.5	11	34 X 15
4G18N18H4SY	12.0	480	3	1	14.4	3.05	22.5 X 19.5	11	26.5 X 15
3G12N33H4SY	12.0	480	3	1	14.4	3.59	15 X 34.5	8.25	19 X 12.25
3G24N18H4SY	12.0	480	3	1	14.4	4.06	30 X 19.5	8.25	34 X 12.25
2G12N48H4SY	12.0	480	3	1	14.4	5.16	15 X 49.5	5.5	19 X 9.5
2G18N33H4SY	12.0	480	3	1	14.4	5.39	22.5 X 34.5	5.5	26.5 X 9.5
2G24N25H4SY	12.0	480	3	1	14.4	5.52	30 X 26.5	5.5	34 X 9.5
1G24N48H4SY	12.0	480	3	1	14.4	10.31	30 X 49.5	2.75	34 X 6.75
1G18N61H4SY	13.0	480	3	1	15.6	3.05	22.5 X 19.5	2.75	26.5 X 6.75
6G18N13H4SY	13.2	480	3	1	15.9	2.27	22.5 X 14.5	16.5	26.5 X 20.5
3G18N25H4SY	13.5	480	3	1	16.2	4.14	22.5 X 26.5	8.25	26.5 X 12.25
6G6N40H4SY	15.0	480	3	1	18.0	2.16	7.5 X 41.5	16.5	11.5 X 20.5
6G12N20H4SY	15.0	480	3	1	18.0	2.24	15 X 21.5	16.5	19 X 20.5
3G12N40H4SY	15.0	480	3	1	18.0	4.32	15 X 41.5	8.25	19 X 12.25
3G24N20H4SY	15.0	480	3	1	18.0	4.48	30 X 21.5	8.25	34 X 12.25
2G18N40H4SY	15.0	480	3	1	18.0	6.48	22.5 X 41.5	5.5	26.5 X 9.5
4G18N20H4SY	15.2	480	3	1	18.3	3.36	22.5 X 21.5	11	26.5 X 15
12G6N20H4SY	15.6	480	3	1	18.8	1.12	7.5 X 21.5	33	11.5 X 37
8G6N33H4SY	16.0	480	3	1	19.2	1.80	7.5 X 34.5	22	11.5 X 26
8G12N18H4SY	16.0	480	3	1	19.2	2.03	15 X 19.5	22	19 X 26
4G12N33H4SY	16.0	480	3	1	19.2	3.59	15 X 34.5	11	19 X 15
4G24N18H4SY	16.0	480	3	1	19.2	4.06	30 X 19.5	11	34 X 15
2G24N33H4SY	16.0	480	3	1	19.2	7.19	30 X 34.5	5.5	34 X 9.5
2G12N61H4SY	16.6	480	3	1	20.0	6.51	15 X 62.5	5.5	19 X 9.5
1G18N78H4SY	17.0	480	3	1	20.4	12.42	22.5 X 79.5	2.75	26.5 X 6.75
1G24N61H4SY	17.0	480	3	1	20.4	13.02	30 X 62.5	2.75	34 X 6.75
8G18N13H4SY	17.6	480	3	1	21.2	2.27	22.5 X 14.5	22	26.5 X 26
12G6N25H4SY	18.0	480	3	1	21.7	1.38	7.5 X 26.5	33	11.5 X 37
12G12N13H4SY	18.0	480	3	1	21.7	1.51	15 X 14.5	33	19 X 37
6G12N25H4SY	18.0	480	3	1	21.7	2.76	15 X 26.5	16.5	19 X 20.5
6G24N13H4SY	18.0	480	3	1	21.7	3.02	30 X 14.5	16.5	34 X 20.5
6G18N18H4SY	18.0	480	3	1	21.7	3.05	22.5 X 19.5	16.5	26.5 X 20.5
4G18N25H4SY	18.0	480	3	1	21.7	4.14	22.5 X 26.5	11	26.5 X 15
3G12N48H4SY	18.0	480	3	1	21.7	5.16	15 X 49.5	8.25	19 X 12.25

Hi-Temp Duct Heaters

Type G

Watt Density: 4

Gaumer Catalog Number	kW:	Volts:	Phase	Quantity Circuits	Total Amps	Face Area (Sq. Ft.)	Heater Duct Dim. Ht.x Lgth.(Inches)	Depth (Inches)	Heater Flange Ht.x Wdth.(Inches)
3G18N33H4SY	18.0	480	3	1	21.7	5.39	22.5 X 34.5	8.25	26.5 X 12.25
3G24N25H4SY	18.0	480	3	1	21.7	5.52	30 X 26.5	8.25	34 X 12.25
2G18N48H4SY	18.0	480	3	1	21.7	7.73	22.5 X 49.5	5.5	26.5 X 9.5
1G18N88H4SY	19.0	480	3	1	22.9	13.98	22.5 X 89.5	2.75	26.5 X 6.75
8G6N40H4SY	20.0	480	3	1	24.1	2.16	7.5 X 41.5	22	11.5 X 26
8G12N20H4SY	20.0	480	3	1	24.1	2.24	15 X 21.5	22	19 X 26
4G12N40H4SY	20.0	480	3	1	24.1	4.32	15 X 41.5	11	19 X 15
4G24N20H4SY	20.0	480	3	1	24.1	4.48	30 X 21.5	11	34 X 15
2G24N40H4SY	20.0	480	3	1	24.1	8.65	30 X 41.5	5.5	34 X 9.5

GAUMER PROCESS

HEATERS
SYSTEMS
CONTROLS

APPLICATIONS

The Gaumer Electric Process Type G Duct Heater is designed for rugged duty where air must be heated to temperatures higher than what would be normal for comfort heating. Temperatures as high as 1100° F are possible if the heater is properly selected. Contact Gaumer Process for assistance in selecting Type G Duct Heaters.

HEATER SELECTION

Single Row Coil (1G-----)

For heating large quantities of re-circulated air thru a very small temperature rise (to 10 degrees) resulting in a low pressure drop and low heater face velocity (300-1000 fpm).

Two or Three Row Coil (2G-----) or (3G-----)

For heating large quantities of re-circulated air thru a temperature rise (10 to 50 degrees) resulting in a normal pressure drop and average heater face velocity (500-2000 fpm).

Three Row or Four Row Coil (3G-----) or (4G-----)

For average quantities of air thru a normal temperature rise (50-100 degrees) resulting in a low pressure drop and low heater face velocity (500-2000 fpm).

6, 8, 12 Row Coil (6G-----), (8G-----), (12G-----)

For average quantities of air thru a higher than normal temperature rise (100-600 degrees).

SPECIAL FEATURES

- INS Insulated Section on Element Side of Flange
- SPT Flange Attached Spacer Assembly
- SS Stainless Steel Flange
- W Wattage Other Than Cataloged
- V Voltage Other Than Cataloged
- ER Explosion Resistant Construction
- LT Weatherproof Construction
- J(K) Additional Sheath Sensing Thermocouple for Overheat Protection
- HTR Space Heater Mounted in Terminal Enclosure
- X Special Feature not Listed Above

Hi-Temp Duct - Type G

20 kW - 40 kW



STANDARD FEATURES

Heating Elements

- Incoloy 800 Sheath Material
- Heavy Wall (.035 in.)
- Large Diameter (.475 in.)
- Sealed Terminals

Standard Features

- High Temp Alloy Spacers
- Gaumer "Evenflow" Configuration
- Type K TC for Overheat Protection
- Insulated Terminal Section

Construction

- Welded Heating Elements
- Welded Spacers

Installation

- Flying Leadwires Provided
- Only Standard Materials Needed in Field

Service

- Wiring Modifiable in Field
- Assembly Repairable at Factory

Hi-Temp Duct - Type G

20 kW - 40 kW

Watt Density: 23

Gaumer Catalog Number	kW:	Volts:	Phase	Quantity Circuits	Total Amps	Face Area (Sq. Ft.)	Heater Duct Dim. Ht.x Lgth.(Inches)	Depth (Inches)	Heater Flange Ht.x Wdth.(Inches)
3G6N20M2	22.5	240	3	3	54.1	1.12	7.5 X 21.5	8.25	11.5 X 12.25
3G6N20M4p1	22.5	480	1	1	46.9	1.12	7.5 X 21.5	8.25	11.5 X 12.25
3G6N20M4	22.5	480	3	1	27.1	1.12	7.5 X 21.5	8.25	11.5 X 12.25
6G3N20M2p1	22.8	240	1	2	95.0	0.60	4 X 21.5	16.5	8 X 20.5
6G3N20M2	22.8	240	3	2	54.8	0.60	4 X 21.5	16.5	8 X 20.5
6G3N20M4p1	22.8	480	1	1	47.5	0.60	4 X 21.5	16.5	8 X 20.5
6G3N20M4	22.8	480	3	1	27.4	0.60	4 X 21.5	16.5	8 X 20.5
1G18N20M2	23.0	240	3	2	55.3	3.36	22.5 X 21.5	2.75	26.5 X 6.75
1G18N20M4	23.0	480	3	1	27.7	3.36	22.5 X 21.5	2.75	26.5 X 6.75
4G6N18M2	24.0	240	3	2	57.7	1.02	7.5 X 19.5	11	11.5 X 15
2G6N33M2	24.0	240	3	2	57.7	1.80	7.5 X 34.5	5.5	11.5 X 9.5
2G12N18M2	24.0	240	3	2	57.7	2.03	15 X 19.5	5.5	19 X 9.5
1G12N33M2	24.0	240	3	2	57.7	3.59	15 X 34.5	2.75	19 X 6.75
1G24N18M2	24.0	240	3	2	57.7	4.06	30 X 19.5	2.75	34 X 6.75
4G6N18M4p1	24.0	480	1	2	50.0	1.02	7.5 X 19.5	11	11.5 X 15
2G6N33M4p1	24.0	480	1	2	50.0	1.80	7.5 X 34.5	5.5	11.5 X 9.5
4G6N18M4	24.0	480	3	1	28.9	1.02	7.5 X 19.5	11	11.5 X 15
2G6N33M4	24.0	480	3	1	28.9	1.80	7.5 X 34.5	5.5	11.5 X 9.5
2G12N18M4	24.0	480	3	1	28.9	2.03	15 X 19.5	5.5	19 X 9.5
1G12N33M4	24.0	480	3	1	28.9	3.59	15 X 34.5	2.75	19 X 6.75
1G24N18M4	24.0	480	3	1	28.9	4.06	30 X 19.5	2.75	34 X 6.75
6G6N13M2	26.4	240	3	2	61.2	0.76	7.5 X 14.5	16.5	11.5 X 20.5
6G6N13M4	26.4	480	3	1	30.6	0.76	7.5 X 14.5	16.5	11.5 X 20.5
3G6N25M2	27.0	240	3	3	65.0	1.38	7.5 X 26.5	8.25	11.5 X 12.25
1G18N25M2	27.0	240	3	2	65.0	4.14	22.5 X 26.5	2.75	26.5 X 6.75
3G6N25M4p1	27.0	480	1	3	56.3	1.38	7.5 X 26.5	8.25	11.5 X 12.25
3G6N25M4	27.0	480	3	1	32.5	1.38	7.5 X 26.5	8.25	11.5 X 12.25
1G18N25M4	27.0	480	3	1	32.5	4.14	22.5 X 26.5	2.75	26.5 X 6.75
4G6N20M2	30.0	240	3	2	72.2	1.12	7.5 X 21.5	11	11.5 X 15
2G6N40M2	30.0	240	3	2	72.2	2.16	7.5 X 41.5	5.5	11.5 X 9.5
2G12N20M2	30.0	240	3	2	72.2	2.24	15 X 21.5	5.5	19 X 9.5
1G12N40M2	30.0	240	3	2	72.2	4.32	15 X 41.5	2.75	19 X 6.75
1G24N20M2	30.0	240	3	2	72.2	4.48	30 X 21.5	2.75	34 X 6.75
4G6N20M4p1	30.0	480	1	2	62.5	1.12	7.5 X 21.5	11	11.5 X 15
2G6N40M4p1	30.0	480	1	2	62.5	2.16	7.5 X 41.5	5.5	11.5 X 9.5
4G6N20M4	30.0	480	3	1	36.1	1.12	7.5 X 21.5	11	11.5 X 15
2G6N40M4	30.0	480	3	1	36.1	2.16	7.5 X 41.5	5.5	11.5 X 9.5
2G12N20M4	30.0	480	3	1	36.1	2.24	15 X 21.5	5.5	19 X 9.5
1G12N40M4	30.0	480	3	1	36.1	4.32	15 X 41.5	2.75	19 X 6.75
1G24N20M4	30.0	480	3	1	36.1	4.48	30 X 21.5	2.75	34 X 6.75
8G6N13M2	35.2	240	3	2	81.6	0.76	7.5 X 14.5	22	11.5 X 26
8G6N13M4	35.2	480	3	1	40.8	0.76	7.5 X 14.5	22	11.5 X 26
6G6N18M2	36.0	240	3	2	86.6	1.02	7.5 X 19.5	16.5	11.5 X 20.5
4G6N25M2	36.0	240	3	2	86.6	1.38	7.5 X 26.5	11	11.5 X 15
3G6N33M2	36.0	240	3	3	86.6	1.80	7.5 X 34.5	8.25	11.5 X 12.25
3G12N18M2	36.0	240	3	3	86.6	2.03	15 X 19.5	8.25	19 X 12.25
2G12N25M2	36.0	240	3	2	86.6	2.76	15 X 26.5	5.5	19 X 9.5

Hi-Temp Duct - Type G

20 kW - 40 kW

Watt Density: 23

Gaumer Catalog Number	kW:	Volts:	Phase	Quantity Circuits	Total Amps	Face Area (Sq. Ft.)	Heater Duct Dim. Ht.x Lgth.(Inches)	Depth (Inches)	Heater Flange Ht.x Wdth.(Inches)
2G18N18M2	36.0	240	3	2	86.6	3.05	22.5 X 19.5	5.5	26.5 X 9.5
1G12N48M2	36.0	240	3	2	86.6	5.16	15 X 49.5	2.75	19 X 6.75
1G18N33M2	36.0	240	3	2	86.6	5.39	22.5 X 34.5	2.75	26.5 X 6.75
1G24N25M2	36.0	240	3	2	86.6	5.52	30 X 26.5	2.75	34 X 6.75
6G6N18M4p1	36.0	480	1	2	75.0	1.02	7.5 X 19.5	16.5	11.5 X 20.5
4G6N25M4p1	36.0	480	1	2	75.0	1.38	7.5 X 26.5	11	11.5 X 15
3G6N33M4p1	36.0	480	1	3	75.0	1.80	7.5 X 34.5	8.25	11.5 X 12.25
6G6N18M4	36.0	480	3	1	43.3	1.02	7.5 X 19.5	16.5	11.5 X 20.5
4G6N25M4	36.0	480	3	1	43.3	1.38	7.5 X 26.5	11	11.5 X 15
3G6N33M4	36.0	480	3	1	43.3	1.80	7.5 X 34.5	8.25	11.5 X 12.25
3G12N18M4	36.0	480	3	1	43.3	2.03	15 X 19.5	8.25	19 X 12.25
2G12N25M4	36.0	480	3	1	43.3	2.76	15 X 26.5	5.5	19 X 9.5
2G18N18M4	36.0	480	3	1	43.3	3.05	22.5 X 19.5	5.5	26.5 X 9.5
1G12N48M4	36.0	480	3	1	43.3	5.16	15 X 49.5	2.75	19 X 6.75
1G18N33M4	36.0	480	3	1	43.3	5.39	22.5 X 34.5	2.75	26.5 X 6.75
1G24N25M4	36.0	480	3	1	43.3	5.52	30 X 26.5	2.75	34 X 6.75
1G36N18M4	36.0	480	3	1	43.3	6.09	45 X 19.5	2.75	49 X 6.75
1G12N52M2	40.0	240	3	2	96.2	5.57	15 X 53.5	2.75	19 X 6.75
1G12N52M4	40.0	480	3	1	48.1	5.57	15 X 53.5	2.75	19 X 6.75

Hi-Temp Duct - Type G

20 kW - 40 kW

Watt Density: 20

Gaumer Catalog Number	kW:	Volts:	Phase	Quantity Circuits	Total Amps	Face Area (Sq. Ft.)	Heater Duct Dim. Ht.x Lgth.(Inches)	Depth (Inches)	Heater Flange Ht.x Wdth.(Inches)
2G6N33B2Y	20.0	240	3	1	48.1	1.80	7.5 X 34.5	5.5	11.5 X 9.5
1G12N33B2Y	20.0	240	3	1	48.1	3.59	15 X 34.5	2.75	19 X 6.75
2G6N33B4Y	20.0	480	3	1	24.1	1.80	7.5 X 34.5	5.5	11.5 X 9.5
1G12N33B4Y	20.0	480	3	1	24.1	3.59	15 X 34.5	2.75	19 X 6.75
1G24N18B2Y	21.0	240	3	2	50.5	4.06	30 X 19.5	2.75	34 X 6.75
1G24N18B4Y	21.0	480	3	1	25.3	4.06	30 X 19.5	2.75	34 X 6.75
4G6N18B2Y	21.2	240	3	2	51.0	1.02	7.5 X 19.5	11	11.5 X 15
4G6N18B4Y	21.2	480	3	1	25.5	1.02	7.5 X 19.5	11	11.5 X 15
2G12N18B2Y	21.4	240	3	2	51.5	2.03	15 X 19.5	5.5	19 X 9.5
2G12N18B4Y	21.4	480	3	1	25.7	2.03	15 X 19.5	5.5	19 X 9.5
1G24N20B2Y	23.0	240	3	2	55.3	4.48	30 X 21.5	2.75	34 X 6.75
1G24N20B4Y	23.0	480	3	1	27.7	4.48	30 X 21.5	2.75	34 X 6.75
4G6N20B2Y	23.2	240	3	2	55.8	1.12	7.5 X 21.5	11	11.5 X 15
2G12N20B2Y	23.2	240	3	2	55.8	2.24	15 X 21.5	5.5	19 X 9.5
4G6N20B4Y	23.2	480	3	1	27.9	1.12	7.5 X 21.5	11	11.5 X 15
2G12N20B4Y	23.2	480	3	1	27.9	2.24	15 X 21.5	5.5	19 X 9.5
3G6N25B2Y	24.0	240	3	3	57.7	1.38	7.5 X 26.5	8.25	11.5 X 12.25
1G18N25B2Y	24.0	240	3	2	57.7	4.14	22.5 X 26.5	2.75	26.5 X 6.75
3G6N25B4Y	24.0	480	3	1	28.9	1.38	7.5 X 26.5	8.25	11.5 X 12.25
1G18N25B4Y	24.0	480	3	1	28.9	4.14	22.5 X 26.5	2.75	26.5 X 6.75
2G6N43B2Y	26.0	240	3	2	62.5	2.32	7.5 X 44.5	5.5	11.5 X 9.5
2G6N43B4Y	26.0	480	3	1	31.3	2.32	7.5 X 44.5	5.5	11.5 X 9.5
1G12N43B2Y	27.0	240	3	2	65.0	4.64	15 X 44.5	2.75	19 X 6.75
1G12N43B4Y	27.0	480	3	1	32.5	4.64	15 X 44.5	2.75	19 X 6.75
3G6N33B2Y	30.0	240	3	3	72.2	1.80	7.5 X 34.5	8.25	11.5 X 12.25
1G18N33B2Y	30.0	240	3	2	72.2	5.39	22.5 X 34.5	2.75	26.5 X 6.75
3G6N33B4Y	30.0	480	3	1	36.1	1.80	7.5 X 34.5	8.25	11.5 X 12.25
1G18N33B4Y	30.0	480	3	1	36.1	5.39	22.5 X 34.5	2.75	26.5 X 6.75
6G6N18B2Y	31.8	240	3	2	76.5	1.02	7.5 X 19.5	16.5	11.5 X 20.5
6G6N18B4Y	31.8	480	3	1	38.3	1.02	7.5 X 19.5	16.5	11.5 X 20.5
4G6N25B2Y	32.0	240	3	2	77.0	1.38	7.5 X 26.5	11	11.5 X 15
2G12N25B2Y	32.0	240	3	2	77.0	2.76	15 X 26.5	5.5	19 X 9.5
2G18N18B2Y	32.0	240	3	2	77.0	3.05	22.5 X 19.5	5.5	26.5 X 9.5
1G24N25B2Y	32.0	240	3	2	77.0	5.52	30 X 26.5	2.75	34 X 6.75
4G6N25B4Y	32.0	480	3	1	38.5	1.38	7.5 X 26.5	11	11.5 X 15
2G12N25B4Y	32.0	480	3	1	38.5	2.76	15 X 26.5	5.5	19 X 9.5
2G18N18B4Y	32.0	480	3	1	38.5	3.05	22.5 X 19.5	5.5	26.5 X 9.5
1G24N25B4Y	32.0	480	3	1	38.5	5.52	30 X 26.5	2.75	34 X 6.75
3G12N18B2Y	32.1	240	3	3	77.2	2.03	15 X 19.5	8.25	19 X 12.25
3G12N18B4Y	32.1	480	3	1	38.6	2.03	15 X 19.5	8.25	19 X 12.25
1G12N52B2Y	33.0	240	3	2	79.4	5.57	15 X 53.5	2.75	19 X 6.75
1G12N52B4Y	33.0	480	3	1	39.7	5.57	15 X 53.5	2.75	19 X 6.75
2G18N20B2Y	34.0	240	3	2	81.8	3.36	22.5 X 21.5	5.5	26.5 X 9.5
2G18N20B4Y	34.0	480	3	1	40.9	3.36	22.5 X 21.5	5.5	26.5 X 9.5
6G6N20B2Y	34.8	240	3	2	83.7	1.12	7.5 X 21.5	16.5	11.5 X 20.5
3G12N20B2Y	34.8	240	3	3	83.7	2.24	15 X 21.5	8.25	19 X 12.25
6G6N20B4Y	34.8	480	3	1	41.9	1.12	7.5 X 21.5	16.5	11.5 X 20.5

Hi-Temp Duct - Type G

20 kW - 40 kW

Watt Density: 20

Gaumer Catalog Number	kW:	Volts:	Phase	Quantity Circuits	Total Amps	Face Area (Sq. Ft.)	Heater Duct Dim. Ht.x Lgth.(Inches)	Depth (Inches)	Heater Flange Ht.x Wdth.(Inches)
3G12N20B4Y	34.8	480	3	1	41.9	2.24	15 X 21.5	8.25	19 X 12.25
3G6N43B2Y	39.0	240	3	3	93.8	2.32	7.5 X 44.5	8.25	11.5 X 12.25
3G6N43B4Y	39.0	480	3	1	46.9	2.32	7.5 X 44.5	8.25	11.5 X 12.25
4G6N33B2Y	40.0	240	3	2	96.2	1.80	7.5 X 34.5	11	11.5 X 15
2G12N33B2Y	40.0	240	3	2	96.2	3.59	15 X 34.5	5.5	19 X 9.5
1G12N61B2Y	40.0	240	3	2	96.2	6.51	15 X 62.5	2.75	19 X 6.75
1G18N43B2Y	40.0	240	3	2	96.2	6.95	22.5 X 44.5	2.75	26.5 X 6.75
1G24N33B2Y	40.0	240	3	2	96.2	7.19	30 X 34.5	2.75	34 X 6.75
4G6N33B4Y	40.0	480	3	1	48.1	1.80	7.5 X 34.5	11	11.5 X 15
2G12N33B4Y	40.0	480	3	1	48.1	3.59	15 X 34.5	5.5	19 X 9.5
1G12N61B4Y	40.0	480	3	1	48.1	6.51	15 X 62.5	2.75	19 X 6.75
1G18N43B4Y	40.0	480	3	1	48.1	6.95	22.5 X 44.5	2.75	26.5 X 6.75
1G24N33B4Y	40.0	480	3	1	48.1	7.19	30 X 34.5	2.75	34 X 6.75

Hi-Temp Duct - Type G

20 kW - 40 kW

Watt Density: 15

Gaumer Catalog Number	kW:	Volts:	Phase	Quantity Circuits	Total Amps	Face Area (Sq. Ft.)	Heater Duct Dim. Ht.x Lgth.(Inches)	Depth (Inches)	Heater Flange Ht.x Wdth.(Inches)
4G6N20H2Y	20.0	240	3	1	48.1	1.12	7.5 X 21.5	11	11.5 X 15
2G6N40H2Y	20.0	240	3	1	48.1	2.16	7.5 X 41.5	5.5	11.5 X 9.5
2G12N20H2Y	20.0	240	3	1	48.1	2.24	15 X 21.5	5.5	19 X 9.5
2G6N43B2S	20.0	240	3	1	48.1	2.32	7.5 X 44.5	5.5	11.5 X 9.5
1G12N40H2Y	20.0	240	3	1	48.1	4.32	15 X 41.5	2.75	19 X 6.75
1G24N20H2Y	20.0	240	3	1	48.1	4.48	30 X 21.5	2.75	34 X 6.75
1G12N43B2S	20.0	240	3	1	48.1	4.64	15 X 44.5	2.75	19 X 6.75
2G6N43B4Sp1	20.0	480	1	1	41.7	2.32	7.5 X 44.5	5.5	11.5 X 9.5
4G6N20H4Y	20.0	480	3	1	24.1	1.12	7.5 X 21.5	11	11.5 X 15
2G6N40H4Y	20.0	480	3	1	24.1	2.16	7.5 X 41.5	5.5	11.5 X 9.5
2G12N20H4Y	20.0	480	3	1	24.1	2.24	15 X 21.5	5.5	19 X 9.5
2G6N43B4S	20.0	480	3	1	24.1	2.32	7.5 X 44.5	5.5	11.5 X 9.5
1G12N40H4Y	20.0	480	3	1	24.1	4.32	15 X 41.5	2.75	19 X 6.75
1G24N20H4Y	20.0	480	3	1	24.1	4.48	30 X 21.5	2.75	34 X 6.75
1G12N43B4S	20.0	480	3	1	24.1	4.64	15 X 44.5	2.75	19 X 6.75
3G6N33B2S	22.5	240	3	3	54.1	1.80	7.5 X 34.5	8.25	11.5 X 12.25
3G6N33B4Sp1	22.5	480	1	1	46.9	1.80	7.5 X 34.5	8.25	11.5 X 12.25
3G6N33B4S	22.5	480	3	1	27.1	1.80	7.5 X 34.5	8.25	11.5 X 12.25
1G18N33B2S	23.0	240	3	3	55.3	5.39	22.5 X 34.5	2.75	26.5 X 6.75
1G18N33B4S	23.0	480	3	1	27.7	5.39	22.5 X 34.5	2.75	26.5 X 6.75
8G6N13H2Y	24.0	240	3	2	57.7	0.76	7.5 X 14.5	22	11.5 X 26
6G6N18B2S	24.0	240	3	2	57.7	1.02	7.5 X 19.5	16.5	11.5 X 20.5
6G6N18H2Y	24.0	240	3	2	57.7	1.02	7.5 X 19.5	16.5	11.5 X 20.5
4G6N25B2S	24.0	240	3	2	57.7	1.38	7.5 X 26.5	11	11.5 X 15
4G6N25H2Y	24.0	240	3	2	57.7	1.38	7.5 X 26.5	11	11.5 X 15
4G12N13H2Y	24.0	240	3	2	57.7	1.51	15 X 14.5	11	19 X 15
3G6N33H2Y	24.0	240	3	3	57.7	1.80	7.5 X 34.5	8.25	11.5 X 12.25
3G12N18H2Y	24.0	240	3	3	57.7	2.03	15 X 19.5	8.25	19 X 12.25
3G12N18B2S	24.0	240	3	3	57.7	2.03	15 X 19.5	8.25	19 X 12.25
2G12N25H2Y	24.0	240	3	2	57.7	2.76	15 X 26.5	5.5	19 X 9.5
2G12N25B2S	24.0	240	3	2	57.7	2.76	15 X 26.5	5.5	19 X 9.5
2G24N13H2Y	24.0	240	3	2	57.7	3.02	30 X 14.5	5.5	34 X 9.5
2G18N18H2Y	24.0	240	3	2	57.7	3.05	22.5 X 19.5	5.5	26.5 X 9.5
2G18N18B2S	24.0	240	3	2	57.7	3.05	22.5 X 19.5	5.5	26.5 X 9.5
1G12N48H2Y	24.0	240	3	2	57.7	5.16	15 X 49.5	2.75	19 X 6.75
1G18N33H2Y	24.0	240	3	2	57.7	5.39	22.5 X 34.5	2.75	26.5 X 6.75
1G24N25H2Y	24.0	240	3	2	57.7	5.52	30 X 26.5	2.75	34 X 6.75
1G24N25B2S	24.0	240	3	2	57.7	5.52	30 X 26.5	2.75	34 X 6.75
6G6N18B4Sp1	24.0	480	1	2	50.0	1.02	7.5 X 19.5	16.5	11.5 X 20.5
4G6N25B4Sp1	24.0	480	1	2	50.0	1.38	7.5 X 26.5	11	11.5 X 15
8G6N13H4Y	24.0	480	3	1	28.9	0.76	7.5 X 14.5	22	11.5 X 26
6G6N18B4S	24.0	480	3	1	28.9	1.02	7.5 X 19.5	16.5	11.5 X 20.5
6G6N18H4Y	24.0	480	3	1	28.9	1.02	7.5 X 19.5	16.5	11.5 X 20.5
4G6N25H4Y	24.0	480	3	1	28.9	1.38	7.5 X 26.5	11	11.5 X 15
4G6N25B4S	24.0	480	3	1	28.9	1.38	7.5 X 26.5	11	11.5 X 15
4G12N13H4Y	24.0	480	3	1	28.9	1.51	15 X 14.5	11	19 X 15
3G6N33H4Y	24.0	480	3	1	28.9	1.80	7.5 X 34.5	8.25	11.5 X 12.25

Hi-Temp Duct - Type G

20 kW - 40 kW

Watt Density: 15

Gaumer Catalog Number	kW:	Volts:	Phase	Quantity Circuits	Total Amps	Face Area (Sq. Ft.)	Heater Duct Dim. Ht.x Lgth.(Inches)	Depth (Inches)	Heater Flange Ht.x Wdth.(Inches)
3G12N18H4Y	24.0	480	3	1	28.9	2.03	15 X 19.5	8.25	19 X 12.25
3G12N18B4S	24.0	480	3	1	28.9	2.03	15 X 19.5	8.25	19 X 12.25
2G12N25B4S	24.0	480	3	1	28.9	2.76	15 X 26.5	5.5	19 X 9.5
2G12N25H4Y	24.0	480	3	1	28.9	2.76	15 X 26.5	5.5	19 X 9.5
2G24N13H4Y	24.0	480	3	1	28.9	3.02	30 X 14.5	5.5	34 X 9.5
2G18N18H4Y	24.0	480	3	1	28.9	3.05	22.5 X 19.5	5.5	26.5 X 9.5
2G18N18B4S	24.0	480	3	1	28.9	3.05	22.5 X 19.5	5.5	26.5 X 9.5
1G12N48H4Y	24.0	480	3	1	28.9	5.16	15 X 49.5	2.75	19 X 6.75
1G18N33H4Y	24.0	480	3	1	28.9	5.39	22.5 X 34.5	2.75	26.5 X 6.75
1G24N25B4S	24.0	480	3	1	28.9	5.52	30 X 26.5	2.75	34 X 6.75
1G24N25H4Y	24.0	480	3	1	28.9	5.52	30 X 26.5	2.75	34 X 6.75
1G12N52B2S	25.0	240	3	2	60.1	5.57	15 X 53.5	2.75	19 X 6.75
1G12N52B4S	25.0	480	3	1	30.1	5.57	15 X 53.5	2.75	19 X 6.75
2G18N20B2S	26.0	240	3	2	62.5	3.36	22.5 X 21.5	5.5	26.5 X 9.5
2G18N20B4S	26.0	480	3	1	31.3	3.36	22.5 X 21.5	5.5	26.5 X 9.5
3G12N20B2S	26.1	240	3	3	62.8	2.24	15 X 21.5	8.25	19 X 12.25
3G12N20B4S	26.1	480	3	1	31.4	2.24	15 X 21.5	8.25	19 X 12.25
6G6N20B2S	26.4	240	3	2	63.5	1.12	7.5 X 21.5	16.5	11.5 X 20.5
6G6N20B4Sp1	26.4	480	1	2	55.0	1.12	7.5 X 21.5	16.5	11.5 X 20.5
6G6N20B4S	26.4	480	3	1	31.8	1.12	7.5 X 21.5	16.5	11.5 X 20.5
3G18N13H2Y	27.0	240	3	3	65.0	2.27	22.5 X 14.5	8.25	26.5 X 12.25
3G18N13H4Y	27.0	480	3	1	32.5	2.27	22.5 X 14.5	8.25	26.5 X 12.25
6G6N20H2Y	30.0	240	3	2	72.2	1.12	7.5 X 21.5	16.5	11.5 X 20.5
4G6N33B2S	30.0	240	3	2	72.2	1.80	7.5 X 34.5	11	11.5 X 15
3G6N40H2Y	30.0	240	3	3	72.2	2.16	7.5 X 41.5	8.25	11.5 X 12.25
3G12N20H2Y	30.0	240	3	3	72.2	2.24	15 X 21.5	8.25	19 X 12.25
3G6N43B2S	30.0	240	3	3	72.2	2.32	7.5 X 44.5	8.25	11.5 X 12.25
2G18N20H2Y	30.0	240	3	2	72.2	3.36	22.5 X 21.5	5.5	26.5 X 9.5
2G12N33B2S	30.0	240	3	2	72.2	3.59	15 X 34.5	5.5	19 X 9.5
1G18N40H2Y	30.0	240	3	2	72.2	6.48	22.5 X 41.5	2.75	26.5 X 6.75
1G12N61B2S	30.0	240	3	2	72.2	6.51	15 X 62.5	2.75	19 X 6.75
1G18N43B2S	30.0	240	3	3	72.2	6.95	22.5 X 44.5	2.75	26.5 X 6.75
1G24N33B2S	30.0	240	3	2	72.2	7.19	30 X 34.5	2.75	34 X 6.75
4G6N33B4Sp1	30.0	480	1	2	62.5	1.80	7.5 X 34.5	11	11.5 X 15
3G6N43B4Sp1	30.0	480	1	3	62.5	2.32	7.5 X 44.5	8.25	11.5 X 12.25
6G6N20H4Y	30.0	480	3	1	36.1	1.12	7.5 X 21.5	16.5	11.5 X 20.5
4G6N33B4S	30.0	480	3	1	36.1	1.80	7.5 X 34.5	11	11.5 X 15
3G6N40H4Y	30.0	480	3	1	36.1	2.16	7.5 X 41.5	8.25	11.5 X 12.25
3G12N20H4Y	30.0	480	3	1	36.1	2.24	15 X 21.5	8.25	19 X 12.25
3G6N43B4S	30.0	480	3	1	36.1	2.32	7.5 X 44.5	8.25	11.5 X 12.25
2G18N20H4Y	30.0	480	3	1	36.1	3.36	22.5 X 21.5	5.5	26.5 X 9.5
2G12N33B4S	30.0	480	3	1	36.1	3.59	15 X 34.5	5.5	19 X 9.5
1G18N40H4Y	30.0	480	3	1	36.1	6.48	22.5 X 41.5	2.75	26.5 X 6.75
1G12N61B4S	30.0	480	3	1	36.1	6.51	15 X 62.5	2.75	19 X 6.75
1G18N43B4S	30.0	480	3	1	36.1	6.95	22.5 X 44.5	2.75	26.5 X 6.75
1G24N33B4S	30.0	480	3	1	36.1	7.19	30 X 34.5	2.75	34 X 6.75
8G6N18B2S	32.0	240	3	2	77.0	1.02	7.5 X 19.5	22	11.5 X 26

Hi-Temp Duct - Type G

20 kW - 40 kW

Watt Density: 15

Gaumer Catalog Number	kW:	Volts:	Phase	Quantity Circuits	Total Amps	Face Area (Sq. Ft.)	Heater Duct Dim. Ht.x Lgth.(Inches)	Depth (Inches)	Heater Flange Ht.x Wdth.(Inches)
8G6N18H2Y	32.0	240	3	2	77.0	1.02	7.5 X 19.5	22	11.5 X 26
4G6N33H2Y	32.0	240	3	2	77.0	1.80	7.5 X 34.5	11	11.5 X 15
4G12N18H2Y	32.0	240	3	2	77.0	2.03	15 X 19.5	11	19 X 15
4G12N18B2S	32.0	240	3	2	77.0	2.03	15 X 19.5	11	19 X 15
2G12N33H2Y	32.0	240	3	2	77.0	3.59	15 X 34.5	5.5	19 X 9.5
2G24N18H2Y	32.0	240	3	2	77.0	4.06	30 X 19.5	5.5	34 X 9.5
2G24N18B2S	32.0	240	3	2	77.0	4.06	30 X 19.5	5.5	34 X 9.5
1G24N33H2Y	32.0	240	3	2	77.0	7.19	30 X 34.5	2.75	34 X 6.75
8G6N18B4Sp1	32.0	480	1	2	66.7	1.02	7.5 X 19.5	22	11.5 X 26
8G6N18B4S	32.0	480	3	1	38.5	1.02	7.5 X 19.5	22	11.5 X 26
8G6N18H4Y	32.0	480	3	1	38.5	1.02	7.5 X 19.5	22	11.5 X 26
4G6N33H4Y	32.0	480	3	1	38.5	1.80	7.5 X 34.5	11	11.5 X 15
4G12N18B4S	32.0	480	3	1	38.5	2.03	15 X 19.5	11	19 X 15
4G12N18H4Y	32.0	480	3	1	38.5	2.03	15 X 19.5	11	19 X 15
2G12N33H4Y	32.0	480	3	1	38.5	3.59	15 X 34.5	5.5	19 X 9.5
2G24N18B4S	32.0	480	3	1	38.5	4.06	30 X 19.5	5.5	34 X 9.5
2G24N18H4Y	32.0	480	3	1	38.5	4.06	30 X 19.5	5.5	34 X 9.5
1G24N33H4Y	32.0	480	3	1	38.5	7.19	30 X 34.5	2.75	34 X 6.75
1G12N61H2Y	33.0	240	3	2	79.4	6.51	15 X 62.5	2.75	19 X 6.75
1G12N61H4Y	33.0	480	3	1	39.7	6.51	15 X 62.5	2.75	19 X 6.75
2G24N20B2S	34.0	240	3	2	81.8	4.48	30 X 21.5	5.5	34 X 9.5
2G24N20B4S	34.0	480	3	1	40.9	4.48	30 X 21.5	5.5	34 X 9.5
4G12N20B2S	34.8	240	3	2	83.7	2.24	15 X 21.5	11	19 X 15
4G12N20B4S	34.8	480	3	1	41.9	2.24	15 X 21.5	11	19 X 15
8G6N20B2S	35.2	240	3	2	84.7	1.12	7.5 X 21.5	22	11.5 X 26
8G6N20B4Sp1	35.2	480	1	2	73.3	1.12	7.5 X 21.5	22	11.5 X 26
8G6N20B4S	35.2	480	3	1	42.3	1.12	7.5 X 21.5	22	11.5 X 26
12G6N13H2Y	36.0	240	3	2	86.6	0.76	7.5 X 14.5	33	11.5 X 37
6G6N25H2Y	36.0	240	3	2	86.6	1.38	7.5 X 26.5	16.5	11.5 X 20.5
6G6N25B2S	36.0	240	3	2	86.6	1.38	7.5 X 26.5	16.5	11.5 X 20.5
6G12N13H2Y	36.0	240	3	2	86.6	1.51	15 X 14.5	16.5	19 X 20.5
4G18N13H2Y	36.0	240	3	2	86.6	2.27	22.5 X 14.5	11	26.5 X 15
3G12N25H2Y	36.0	240	3	3	86.6	2.76	15 X 26.5	8.25	19 X 12.25
3G12N25B2S	36.0	240	3	3	86.6	2.76	15 X 26.5	8.25	19 X 12.25
3G24N13H2Y	36.0	240	3	3	86.6	3.02	30 X 14.5	8.25	34 X 12.25
3G18N18H2Y	36.0	240	3	3	86.6	3.05	22.5 X 19.5	8.25	26.5 X 12.25
3G18N18B2S	36.0	240	3	3	86.6	3.05	22.5 X 19.5	8.25	26.5 X 12.25
2G18N25B2S	36.0	240	3	2	86.6	4.14	22.5 X 26.5	5.5	26.5 X 9.5
2G18N25H2Y	36.0	240	3	2	86.6	4.14	22.5 X 26.5	5.5	26.5 X 9.5
1G18N48H2Y	36.0	240	3	2	86.6	7.73	22.5 X 49.5	2.75	26.5 X 6.75
6G6N25B4Sp1	36.0	480	1	2	75.0	1.38	7.5 X 26.5	16.5	11.5 X 20.5
12G6N13H4Y	36.0	480	3	1	43.3	0.76	7.5 X 14.5	33	11.5 X 37
6G6N25H4Y	36.0	480	3	1	43.3	1.38	7.5 X 26.5	16.5	11.5 X 20.5
6G6N25B4S	36.0	480	3	1	43.3	1.38	7.5 X 26.5	16.5	11.5 X 20.5
6G12N13H4Y	36.0	480	3	1	43.3	1.51	15 X 14.5	16.5	19 X 20.5
4G18N13H4Y	36.0	480	3	1	43.3	2.27	22.5 X 14.5	11	26.5 X 15
3G12N25H4Y	36.0	480	3	1	43.3	2.76	15 X 26.5	8.25	19 X 12.25

Hi-Temp Duct - Type G

20 kW - 40 kW

Watt Density: 15

Gaumer Catalog Number	kW:	Volts:	Phase	Quantity Circuits	Total Amps	Face Area (Sq. Ft.)	Heater Duct Dim. Ht.x Lgth.(Inches)	Depth (Inches)	Heater Flange Ht.x Wdth.(Inches)
3G12N25B4S	36.0	480	3	1	43.3	2.76	15 X 26.5	8.25	19 X 12.25
3G24N13H4Y	36.0	480	3	1	43.3	3.02	30 X 14.5	8.25	34 X 12.25
3G18N18H4Y	36.0	480	3	1	43.3	3.05	22.5 X 19.5	8.25	26.5 X 12.25
3G18N18B4S	36.0	480	3	1	43.3	3.05	22.5 X 19.5	8.25	26.5 X 12.25
2G18N25H4Y	36.0	480	3	1	43.3	4.14	22.5 X 26.5	5.5	26.5 X 9.5
2G18N25B4S	36.0	480	3	1	43.3	4.14	22.5 X 26.5	5.5	26.5 X 9.5
1G18N48H4Y	36.0	480	3	1	43.3	7.73	22.5 X 49.5	2.75	26.5 X 6.75
1G18N52B2S	38.0	240	3	3	91.4	8.36	22.5 X 53.5	2.75	26.5 X 6.75
1G18N52B4S	38.0	480	3	1	45.7	8.36	22.5 X 53.5	2.75	26.5 X 6.75
1G30N33B4S	38.0	480	3	1	45.7	8.98	37.5 X 34.5	2.75	41.5 X 6.75
3G18N20B2S	39.0	240	3	3	93.8	3.36	22.5 X 21.5	8.25	26.5 X 12.25
3G18N20B4S	39.0	480	3	1	46.9	3.36	22.5 X 21.5	8.25	26.5 X 12.25
8G6N20H2Y	40.0	240	3	2	96.2	1.12	7.5 X 21.5	22	11.5 X 26
4G6N40H2Y	40.0	240	3	2	96.2	2.16	7.5 X 41.5	11	11.5 X 15
4G12N20H2Y	40.0	240	3	2	96.2	2.24	15 X 21.5	11	19 X 15
4G6N43B2S	40.0	240	3	2	96.2	2.32	7.5 X 44.5	11	11.5 X 15
2G12N40H2Y	40.0	240	3	2	96.2	4.32	15 X 41.5	5.5	19 X 9.5
2G24N20H2Y	40.0	240	3	2	96.2	4.48	30 X 21.5	5.5	34 X 9.5
2G12N43B2S	40.0	240	3	2	96.2	4.64	15 X 44.5	5.5	19 X 9.5
1G24N40H2Y	40.0	240	3	2	96.2	8.65	30 X 41.5	2.75	34 X 6.75
1G24N43B2S	40.0	240	3	2	96.2	9.27	30 X 44.5	2.75	34 X 6.75
8G6N20H4Y	40.0	480	3	1	48.1	1.12	7.5 X 21.5	22	11.5 X 26
4G6N40H4Y	40.0	480	3	1	48.1	2.16	7.5 X 41.5	11	11.5 X 15
4G12N20H4Y	40.0	480	3	1	48.1	2.24	15 X 21.5	11	19 X 15
4G6N43B4S	40.0	480	3	1	48.1	2.32	7.5 X 44.5	11	11.5 X 15
2G12N40H4Y	40.0	480	3	1	48.1	4.32	15 X 41.5	5.5	19 X 9.5
2G24N20H4Y	40.0	480	3	1	48.1	4.48	30 X 21.5	5.5	34 X 9.5
2G12N43B4S	40.0	480	3	1	48.1	4.64	15 X 44.5	5.5	19 X 9.5
1G24N40H4Y	40.0	480	3	1	48.1	8.65	30 X 41.5	2.75	34 X 6.75
1G24N43B4S	40.0	480	3	1	48.1	9.27	30 X 44.5	2.75	34 X 6.75

Hi-Temp Duct - Type G

20 kW - 40 kW

Watt Density: 12

Gaumer Catalog Number	kW:	Volts:	Phase	Quantity Circuits	Total Amps	Face Area (Sq. Ft.)	Heater Duct Dim. Ht.x Lgth.(Inches)	Depth (Inches)	Heater Flange Ht.x Wdth.(Inches)
3G18N13H2S	20.1	240	3	1	48.4	2.27	22.5 X 14.5	8.25	26.5 X 12.25
3G18N13H4S	20.1	480	3	1	24.2	2.27	22.5 X 14.5	8.25	26.5 X 12.25
3G6N40H2S	22.5	240	3	3	54.1	2.16	7.5 X 41.5	8.25	11.5 X 12.25
3G12N20H2S	22.5	240	3	3	54.1	2.24	15 X 21.5	8.25	19 X 12.25
3G6N40H4Sp1	22.5	480	1	1	46.9	2.16	7.5 X 41.5	8.25	11.5 X 12.25
3G6N40H4S	22.5	480	3	1	27.1	2.16	7.5 X 41.5	8.25	11.5 X 12.25
3G12N20H4S	22.5	480	3	1	27.1	2.24	15 X 21.5	8.25	19 X 12.25
2G18N20H2S	22.6	240	3	2	54.4	3.36	22.5 X 21.5	5.5	26.5 X 9.5
2G18N20H4S	22.6	480	3	1	27.2	3.36	22.5 X 21.5	5.5	26.5 X 9.5
6G6N20H2S	22.8	240	3	2	54.8	1.12	7.5 X 21.5	16.5	11.5 X 20.5
6G6N20H4Sp1	22.8	480	1	1	47.5	1.12	7.5 X 21.5	16.5	11.5 X 20.5
6G6N20H4S	22.8	480	3	1	27.4	1.12	7.5 X 21.5	16.5	11.5 X 20.5
1G18N40H2S	23.0	240	3	2	55.3	6.48	22.5 X 41.5	2.75	26.5 X 6.75
1G18N40H4S	23.0	480	3	1	27.7	6.48	22.5 X 41.5	2.75	26.5 X 6.75
8G6N18H2S	24.0	240	3	2	57.7	1.02	7.5 X 19.5	22	11.5 X 26
4G6N33H2S	24.0	240	3	2	57.7	1.80	7.5 X 34.5	11	11.5 X 15
4G12N18H2S	24.0	240	3	2	57.7	2.03	15 X 19.5	11	19 X 15
2G12N33H2S	24.0	240	3	2	57.7	3.59	15 X 34.5	5.5	19 X 9.5
2G24N18H2S	24.0	240	3	2	57.7	4.06	30 X 19.5	5.5	34 X 9.5
1G24N33H2S	24.0	240	3	2	57.7	7.19	30 X 34.5	2.75	34 X 6.75
8G6N18H4Sp1	24.0	480	1	2	50.0	1.02	7.5 X 19.5	22	11.5 X 26
4G6N33H4Sp1	24.0	480	1	2	50.0	1.80	7.5 X 34.5	11	11.5 X 15
8G6N18H4S	24.0	480	3	1	28.9	1.02	7.5 X 19.5	22	11.5 X 26
4G6N33H4S	24.0	480	3	1	28.9	1.80	7.5 X 34.5	11	11.5 X 15
4G12N18H4S	24.0	480	3	1	28.9	2.03	15 X 19.5	11	19 X 15
2G12N33H4S	24.0	480	3	1	28.9	3.59	15 X 34.5	5.5	19 X 9.5
2G24N18H4S	24.0	480	3	1	28.9	4.06	30 X 19.5	5.5	34 X 9.5
1G24N33H4S	24.0	480	3	1	28.9	7.19	30 X 34.5	2.75	34 X 6.75
1G12N61H2S	25.0	240	3	2	60.1	6.51	15 X 62.5	2.75	19 X 6.75
1G12N61H4S	25.0	480	3	1	30.1	6.51	15 X 62.5	2.75	19 X 6.75
12G6N13H2S	26.4	240	3	2	63.5	0.76	7.5 X 14.5	33	11.5 X 37
12G6N13H4Sp1	26.4	480	1	2	55.0	0.76	7.5 X 14.5	33	11.5 X 37
12G6N13H4S	26.4	480	3	1	31.8	0.76	7.5 X 14.5	33	11.5 X 37
4G18N13H2S	26.8	240	3	2	64.5	2.27	22.5 X 14.5	11	26.5 X 15
4G18N13H4S	26.8	480	3	1	32.2	2.27	22.5 X 14.5	11	26.5 X 15
6G6N25H2S	27.0	240	3	2	65.0	1.38	7.5 X 26.5	16.5	11.5 X 20.5
6G12N13H2S	27.0	240	3	2	65.0	1.51	15 X 14.5	16.5	19 X 20.5
3G12N25H2S	27.0	240	3	3	65.0	2.76	15 X 26.5	8.25	19 X 12.25
3G24N13H2S	27.0	240	3	3	65.0	3.02	30 X 14.5	8.25	34 X 12.25
3G18N18H2S	27.0	240	3	3	65.0	3.05	22.5 X 19.5	8.25	26.5 X 12.25
1G18N48H2S	27.0	240	3	2	65.0	7.73	22.5 X 49.5	2.75	26.5 X 6.75
6G6N25H4Sp1	27.0	480	1	2	56.3	1.38	7.5 X 26.5	16.5	11.5 X 20.5
6G6N25H4S	27.0	480	3	1	32.5	1.38	7.5 X 26.5	16.5	11.5 X 20.5
6G12N13H4S	27.0	480	3	1	32.5	1.51	15 X 14.5	16.5	19 X 20.5
3G12N25H4S	27.0	480	3	1	32.5	2.76	15 X 26.5	8.25	19 X 12.25
3G24N13H4S	27.0	480	3	1	32.5	3.02	30 X 14.5	8.25	34 X 12.25
3G18N18H4S	27.0	480	3	1	32.5	3.05	22.5 X 19.5	8.25	26.5 X 12.25

Hi-Temp Duct - Type G

20 kW - 40 kW

Watt Density: 12

Gaumer Catalog Number	kW:	Volts:	Phase	Quantity Circuits	Total Amps	Face Area (Sq. Ft.)	Heater Duct Dim. Ht.x Lgth.(Inches)	Depth (Inches)	Heater Flange Ht.x Wdth.(Inches)
1G18N48H4S	27.0	480	3	1	32.5	7.73	22.5 X 49.5	2.75	26.5 X 6.75
2G18N25H2S	28.0	240	3	2	67.4	4.14	22.5 X 26.5	5.5	26.5 X 9.5
2G18N25H4S	28.0	480	3	1	33.7	4.14	22.5 X 26.5	5.5	26.5 X 9.5
4G6N40H2S	30.0	240	3	2	72.2	2.16	7.5 X 41.5	11	11.5 X 15
4G12N20H2S	30.0	240	3	2	72.2	2.24	15 X 21.5	11	19 X 15
2G12N40H2S	30.0	240	3	2	72.2	4.32	15 X 41.5	5.5	19 X 9.5
2G24N20H2S	30.0	240	3	2	72.2	4.48	30 X 21.5	5.5	34 X 9.5
1G24N40H2S	30.0	240	3	2	72.2	8.65	30 X 41.5	2.75	34 X 6.75
4G6N40H4Sp1	30.0	480	1	2	62.5	2.16	7.5 X 41.5	11	11.5 X 15
4G6N40H4S	30.0	480	3	1	36.1	2.16	7.5 X 41.5	11	11.5 X 15
4G12N20H4S	30.0	480	3	1	36.1	2.24	15 X 21.5	11	19 X 15
2G12N40H4S	30.0	480	3	1	36.1	4.32	15 X 41.5	5.5	19 X 9.5
2G24N20H4S	30.0	480	3	1	36.1	4.48	30 X 21.5	5.5	34 X 9.5
1G24N40H4S	30.0	480	3	1	36.1	8.65	30 X 41.5	2.75	34 X 6.75
8G6N20H2S	30.4	240	3	2	73.1	1.12	7.5 X 21.5	22	11.5 X 26
8G6N20H4Sp1	30.4	480	1	2	63.3	1.12	7.5 X 21.5	22	11.5 X 26
8G6N20H4S	30.4	480	3	1	36.6	1.12	7.5 X 21.5	22	11.5 X 26
1G12N78H2S	33.0	240	3	2	79.4	8.28	15 X 79.5	2.75	19 X 6.75
1G12N78H4S	33.0	480	3	1	39.7	8.28	15 X 79.5	2.75	19 X 6.75
3G18N20H2S	33.9	240	3	3	81.6	3.36	22.5 X 21.5	8.25	26.5 X 12.25
3G18N20H4S	33.9	480	3	1	40.8	3.36	22.5 X 21.5	8.25	26.5 X 12.25
12G6N18H2S	36.0	240	3	2	86.6	1.02	7.5 X 19.5	33	11.5 X 37
8G6N25H2S	36.0	240	3	2	86.6	1.38	7.5 X 26.5	22	11.5 X 26
8G12N13H2S	36.0	240	3	2	86.6	1.51	15 X 14.5	22	19 X 26
6G6N33H2S	36.0	240	3	2	86.6	1.80	7.5 X 34.5	16.5	11.5 X 20.5
6G12N18H2S	36.0	240	3	2	86.6	2.03	15 X 19.5	16.5	19 X 20.5
4G12N25H2S	36.0	240	3	2	86.6	2.76	15 X 26.5	11	19 X 15
4G24N13H2S	36.0	240	3	2	86.6	3.02	30 X 14.5	11	34 X 15
4G18N18H2S	36.0	240	3	2	86.6	3.05	22.5 X 19.5	11	26.5 X 15
3G12N33H2S	36.0	240	3	3	86.6	3.59	15 X 34.5	8.25	19 X 12.25
3G24N18H2S	36.0	240	3	3	86.6	4.06	30 X 19.5	8.25	34 X 12.25
2G12N48H2S	36.0	240	3	2	86.6	5.16	15 X 49.5	5.5	19 X 9.5
2G18N33H2S	36.0	240	3	2	86.6	5.39	22.5 X 34.5	5.5	26.5 X 9.5
2G24N25H2S	36.0	240	3	2	86.6	5.52	30 X 26.5	5.5	34 X 9.5
1G24N48H2S	36.0	240	3	2	86.6	10.31	30 X 49.5	2.75	34 X 6.75
12G6N18H4Sp1	36.0	480	1	2	75.0	1.02	7.5 X 19.5	33	11.5 X 37
8G6N25H4Sp1	36.0	480	1	2	75.0	1.38	7.5 X 26.5	22	11.5 X 26
6G6N33H4Sp1	36.0	480	1	2	75.0	1.80	7.5 X 34.5	16.5	11.5 X 20.5
12G6N18H4S	36.0	480	3	1	43.3	1.02	7.5 X 19.5	33	11.5 X 37
8G6N25H4S	36.0	480	3	1	43.3	1.38	7.5 X 26.5	22	11.5 X 26
8G12N13H4S	36.0	480	3	1	43.3	1.51	15 X 14.5	22	19 X 26
6G6N33H4S	36.0	480	3	1	43.3	1.80	7.5 X 34.5	16.5	11.5 X 20.5
6G12N18H4S	36.0	480	3	1	43.3	2.03	15 X 19.5	16.5	19 X 20.5
4G12N25H4S	36.0	480	3	1	43.3	2.76	15 X 26.5	11	19 X 15
4G24N13H4S	36.0	480	3	1	43.3	3.02	30 X 14.5	11	34 X 15
4G18N18H4S	36.0	480	3	1	43.3	3.05	22.5 X 19.5	11	26.5 X 15
3G12N33H4S	36.0	480	3	1	43.3	3.59	15 X 34.5	8.25	19 X 12.25

Hi-Temp Duct - Type G

20 kW - 40 kW

Watt Density: 12

Gaumer Catalog Number	kW:	Volts:	Phase	Quantity Circuits	Total Amps	Face Area (Sq. Ft.)	Heater Duct Dim. Ht.x Lgth.(Inches)	Depth (Inches)	Heater Flange Ht.x Wdth.(Inches)
3G24N18H4S	36.0	480	3	1	43.3	4.06	30 X 19.5	8.25	34 X 12.25
2G12N48H4S	36.0	480	3	1	43.3	5.16	15 X 49.5	5.5	19 X 9.5
2G18N33H4S	36.0	480	3	1	43.3	5.39	22.5 X 34.5	5.5	26.5 X 9.5
2G24N25H4S	36.0	480	3	1	43.3	5.52	30 X 26.5	5.5	34 X 9.5
1G24N48H4S	36.0	480	3	1	43.3	10.31	30 X 49.5	2.75	34 X 6.75
1G12N88H4D	38.0	240	3	2	91.4	9.32	15 X 89.5	2.75	19 X 6.75
1G18N61H2S	38.0	240	3	2	91.4	9.77	22.5 X 62.5	2.75	26.5 X 6.75
1G18N61H4S	38.0	480	3	1	45.7	3.05	22.5 X 19.5	2.75	26.5 X 6.75
1G12N88H4S	38.0	480	3	1	45.7	9.32	15 X 89.5	2.75	19 X 6.75

Hi-Temp Duct - Type G

20 kW - 40 kW

Watt Density: 8

Gaumer Catalog Number	kW:	Volts:	Phase	Quantity Circuits	Total Amps	Face Area (Sq. Ft.)	Heater Duct Dim. Ht.x Lgth.(Inches)	Depth (Inches)	Heater Flange Ht.x Wdth.(Inches)
8G6N20M2Y	20.0	240	3	1	48.1	1.12	7.5 X 21.5	22	11.5 X 26
4G6N40M2Y	20.0	240	3	1	48.1	2.16	7.5 X 41.5	11	11.5 X 15
4G12N20M2Y	20.0	240	3	1	48.1	2.24	15 X 21.5	11	19 X 15
2G12N40M2Y	20.0	240	3	1	48.1	4.32	15 X 41.5	5.5	19 X 9.5
1G12N77M2Y	20.0	240	3	1	48.1	8.18	15 X 78.5	2.75	19 X 6.75
8G6N20M4Y	20.0	480	3	1	24.1	1.12	7.5 X 21.5	22	11.5 X 26
4G6N40M4Y	20.0	480	3	1	24.1	2.16	7.5 X 41.5	11	11.5 X 15
4G12N20M4Y	20.0	480	3	1	24.1	2.24	15 X 21.5	11	19 X 15
2G12N40M4Y	20.0	480	3	1	24.1	4.32	15 X 41.5	5.5	19 X 9.5
1G12N77M4Y	20.0	480	3	1	24.1	8.18	15 X 78.5	2.75	19 X 6.75
1G18N52M4Y	20.0	480	3	1	24.1	8.36	22.5 X 53.5	2.75	26.5 X 6.75
1G12N88M4Y	22.0	480	3	1	26.5	9.32	15 X 89.5	2.75	19 X 6.75
12G6N18M2Y	24.0	240	3	2	57.7	1.02	7.5 X 19.5	33	11.5 X 37
8G6N25M2Y	24.0	240	3	2	57.7	1.38	7.5 X 26.5	22	11.5 X 26
6G6N33M2Y	24.0	240	3	2	57.7	1.80	7.5 X 34.5	16.5	11.5 X 20.5
6G12N18M2Y	24.0	240	3	2	57.7	2.03	15 X 19.5	16.5	19 X 20.5
4G12N25M2Y	24.0	240	3	2	57.7	2.76	15 X 26.5	11	19 X 15
3G12N33M2Y	24.0	240	3	3	57.7	3.59	15 X 34.5	8.25	19 X 12.25
2G12N48M2Y	24.0	240	3	2	57.7	5.16	15 X 49.5	5.5	19 X 9.5
12G6N18M4Y	24.0	480	3	1	28.9	1.02	7.5 X 19.5	33	11.5 X 37
8G6N25M4Y	24.0	480	3	1	28.9	1.38	7.5 X 26.5	22	11.5 X 26
6G6N33M4Y	24.0	480	3	1	28.9	1.80	7.5 X 34.5	16.5	11.5 X 20.5
6G12N18M4Y	24.0	480	3	1	28.9	2.03	15 X 19.5	16.5	19 X 20.5
4G12N25M4Y	24.0	480	3	1	28.9	2.76	15 X 26.5	11	19 X 15
3G12N33M4Y	24.0	480	3	1	28.9	3.59	15 X 34.5	8.25	19 X 12.25
2G12N48M4Y	24.0	480	3	1	28.9	5.16	15 X 49.5	5.5	19 X 9.5
2G12N52M2Y	26.0	240	3	2	62.5	5.57	15 X 53.5	5.5	19 X 9.5
2G12N52M4Y	26.0	480	3	1	31.3	5.57	15 X 53.5	5.5	19 X 9.5
1G18N64M4Y	26.0	480	3	1	31.3	10.23	22.5 X 65.5	2.75	26.5 X 6.75
1G24N52M4Y	27.0	480	3	1	32.5	11.15	30 X 53.5	2.75	34 X 6.75
12G6N20M2Y	30.0	240	3	2	72.2	1.12	7.5 X 21.5	33	11.5 X 37
6G6N40M2Y	30.0	240	3	2	72.2	2.16	7.5 X 41.5	16.5	11.5 X 20.5
6G12N20M2Y	30.0	240	3	2	72.2	2.24	15 X 21.5	16.5	19 X 20.5
3G12N40M2Y	30.0	240	3	3	72.2	4.32	15 X 41.5	8.25	19 X 12.25
12G6N20M4Y	30.0	480	3	1	36.1	1.12	7.5 X 21.5	33	11.5 X 37
6G6N40M4Y	30.0	480	3	1	36.1	2.16	7.5 X 41.5	16.5	11.5 X 20.5
6G12N20M4Y	30.0	480	3	1	36.1	2.24	15 X 21.5	16.5	19 X 20.5
3G12N40M4Y	30.0	480	3	1	36.1	4.32	15 X 41.5	8.25	19 X 12.25
1G18N77M4Y	30.0	480	3	1	36.1	12.27	22.5 X 78.5	2.75	26.5 X 6.75
8G6N33M2Y	32.0	240	3	2	77.0	1.80	7.5 X 34.5	22	11.5 X 26
8G12N18M2Y	32.0	240	3	2	77.0	2.03	15 X 19.5	22	19 X 26
4G12N33M2Y	32.0	240	3	2	77.0	3.59	15 X 34.5	11	19 X 15
8G6N33M4Y	32.0	480	3	1	38.5	1.80	7.5 X 34.5	22	11.5 X 26
8G12N18M4Y	32.0	480	3	1	38.5	2.03	15 X 19.5	22	19 X 26
4G12N33M4Y	32.0	480	3	1	38.5	3.59	15 X 34.5	11	19 X 15
2G12N64M2Y	34.0	240	3	2	81.8	6.82	15 X 65.5	5.5	19 X 9.5
2G12N64M4Y	34.0	480	3	1	40.9	6.82	15 X 65.5	5.5	19 X 9.5

Hi-Temp Duct - Type G

20 kW - 40 kW

Watt Density: 8

Gaumer Catalog Number	kW:	Volts:	Phase	Quantity Circuits	Total Amps	Face Area (Sq. Ft.)	Heater Duct Dim. Ht.x Lgth.(Inches)	Depth (Inches)	Heater Flange Ht.x Wdth.(Inches)
1G24N64M4Y	34.0	480	3	1	40.9	13.65	30 X 65.5	2.75	34 X 6.75
1G18N88M4Y	34.0	480	3	1	40.9	13.98	22.5 X 89.5	2.75	26.5 X 6.75
12G6N25M2Y	36.0	240	3	2	86.6	1.38	7.5 X 26.5	33	11.5 X 37
6G12N25M2Y	36.0	240	3	2	86.6	2.76	15 X 26.5	16.5	19 X 20.5
3G12N48M2Y	36.0	240	3	3	86.6	5.16	15 X 49.5	8.25	19 X 12.25
12G6N25M4Y	36.0	480	3	1	43.3	1.38	7.5 X 26.5	33	11.5 X 37
6G12N25M4Y	36.0	480	3	1	43.3	2.76	15 X 26.5	16.5	19 X 20.5
3G12N48M4Y	36.0	480	3	1	43.3	5.16	15 X 49.5	8.25	19 X 12.25
3G12N52M2Y	39.0	240	3	3	93.8	5.57	15 X 53.5	8.25	19 X 12.25
3G12N52M4Y	39.0	480	3	1	46.9	5.57	15 X 53.5	8.25	19 X 12.25
8G6N40M2Y	40.0	240	3	2	96.2	2.16	7.5 X 41.5	22	11.5 X 26
8G12N20M2Y	40.0	240	3	2	96.2	2.24	15 X 21.5	22	19 X 26
4G12N40M2Y	40.0	240	3	2	96.2	4.32	15 X 41.5	11	19 X 15
2G12N77M2Y	40.0	240	3	2	96.2	8.18	15 X 78.5	5.5	19 X 9.5
8G6N40M4Y	40.0	480	3	1	48.1	2.16	7.5 X 41.5	22	11.5 X 26
8G12N20M4Y	40.0	480	3	1	48.1	2.24	15 X 21.5	22	19 X 26
4G12N40M4Y	40.0	480	3	1	48.1	4.32	15 X 41.5	11	19 X 15
2G12N77M4Y	40.0	480	3	1	48.1	8.18	15 X 78.5	5.5	19 X 9.5
2G18N52M4Y	40.0	480	3	1	48.1	8.36	22.5 X 53.5	5.5	26.5 X 9.5
1G24N77M4Y	40.0	480	3	1	48.1	16.35	30 X 78.5	2.75	34 X 6.75
1G36N52M4Y	40.0	480	3	1	48.1	16.72	45 X 53.5	2.75	49 X 6.75

Hi-Temp Duct - Type G

20 kW - 40 kW

Watt Density: 6

Gaumer Catalog Number	kW:	Volts:	Phase	Quantity Circuits	Total Amps	Face Area (Sq. Ft.)	Heater Duct Dim. Ht.x Lgth.(Inches)	Depth (Inches)	Heater Flange Ht.x Wdth.(Inches)
2G12N52M2S	20.0	240	3	1	48.1	5.57	15 X 53.5	5.5	19 X 9.5
1G24N52M2S	20.0	240	3	1	48.1	11.15	30 X 53.5	2.75	34 X 6.75
2G12N52M4S	20.0	480	3	1	24.1	5.57	15 X 53.5	5.5	19 X 9.5
1G24N52M4S	20.0	480	3	1	24.1	11.15	30 X 53.5	2.75	34 X 6.75
1G36N40M2S	22.0	240	3	2	52.9	12.97	45 X 41.5	2.75	49 X 6.75
1G36N40M4S	22.0	480	3	1	26.5	12.97	45 X 41.5	2.75	49 X 6.75
6G6N40M2S	22.2	240	3	2	53.4	2.16	7.5 X 41.5	16.5	11.5 X 20.5
6G12N20M2S	22.2	240	3	2	53.4	2.24	15 X 21.5	16.5	19 X 20.5
6G6N40M4Sp1	22.2	480	1	1	46.3	2.16	7.5 X 41.5	16.5	11.5 X 20.5
6G6N40M4S	22.2	480	3	1	26.7	2.16	7.5 X 41.5	16.5	11.5 X 20.5
6G12N20M4S	22.2	480	3	1	26.7	2.24	15 X 21.5	16.5	19 X 20.5
2G18N40M2S	22.4	240	3	2	53.9	6.48	22.5 X 41.5	5.5	26.5 X 9.5
2G18N40M4S	22.4	480	3	1	26.9	6.48	22.5 X 41.5	5.5	26.5 X 9.5
3G12N40M2S	22.5	240	3	3	54.1	4.32	15 X 41.5	8.25	19 X 12.25
3G12N40M4S	22.5	480	3	1	27.1	4.32	15 X 41.5	8.25	19 X 12.25
12G6N20M2S	22.8	240	3	2	54.8	1.12	7.5 X 21.5	33	11.5 X 37
12G6N20M4Sp1	22.8	480	1	1	47.5	1.12	7.5 X 21.5	33	11.5 X 37
12G6N20M4S	22.8	480	3	1	27.4	1.12	7.5 X 21.5	33	11.5 X 37
1G18N77M2S	23.0	240	3	2	55.3	12.27	22.5 X 78.5	2.75	26.5 X 6.75
1G18N77M4S	23.0	480	3	1	27.7	12.27	22.5 X 78.5	2.75	26.5 X 6.75
8G6N33M2S	24.0	240	3	2	57.7	1.80	7.5 X 34.5	22	11.5 X 26
8G12N18M2S	24.0	240	3	2	57.7	2.03	15 X 19.5	22	19 X 26
4G12N33M2S	24.0	240	3	2	57.7	3.59	15 X 34.5	11	19 X 15
2G24N33M2S	24.0	240	3	2	57.7	7.19	30 X 34.5	5.5	34 X 9.5
1G48N33M2S	24.0	240	3	2	57.7	12.58	52.5 X 34.5	2.75	56.5 X 6.75
8G6N33M4Sp1	24.0	480	1	2	50.0	1.80	7.5 X 34.5	22	11.5 X 26
8G6N33M4S	24.0	480	3	1	28.9	1.80	7.5 X 34.5	22	11.5 X 26
8G12N18M4S	24.0	480	3	1	28.9	2.03	15 X 19.5	22	19 X 26
4G12N33M4S	24.0	480	3	1	28.9	3.59	15 X 34.5	11	19 X 15
2G24N33M4S	24.0	480	3	1	28.9	7.19	30 X 34.5	5.5	34 X 9.5
1G48N33M4S	24.0	480	3	1	28.9	12.58	52.5 X 34.5	2.75	56.5 X 6.75
1G24N64M2S	25.0	240	3	2	60.1	13.65	30 X 65.5	2.75	34 X 6.75
1G24N64M4S	25.0	480	3	1	30.1	13.65	30 X 65.5	2.75	34 X 6.75
1G18N88M4S	25.0	480	3	1	30.1	13.98	22.5 X 89.5	2.75	26.5 X 6.75
2G12N64M2S	26.0	240	3	2	62.5	6.82	15 X 65.5	5.5	19 X 9.5
2G12N64M4S	26.0	480	3	1	31.3	6.82	15 X 65.5	5.5	19 X 9.5
12G6N25M2S	26.4	240	3	2	63.5	1.38	7.5 X 26.5	33	11.5 X 37
12G6N25M4Sp1	26.4	480	1	2	55.0	1.38	7.5 X 26.5	33	11.5 X 37
12G6N25M4S	26.4	480	3	1	31.8	1.38	7.5 X 26.5	33	11.5 X 37
6G12N25M2S	27.0	240	3	2	65.0	2.76	15 X 26.5	16.5	19 X 20.5
3G12N48M2S	27.0	240	3	3	65.0	5.16	15 X 49.5	8.25	19 X 12.25
3G18N33M2S	27.0	240	3	3	65.0	5.39	22.5 X 34.5	8.25	26.5 X 12.25
1G36N48M2S	27.0	240	3	2	65.0	15.47	45 X 49.5	2.75	49 X 6.75
6G12N25M4S	27.0	480	3	1	32.5	2.76	15 X 26.5	16.5	19 X 20.5
3G12N48M4S	27.0	480	3	1	32.5	5.16	15 X 49.5	8.25	19 X 12.25
3G18N33M4S	27.0	480	3	1	32.5	5.39	22.5 X 34.5	8.25	26.5 X 12.25
1G36N48M4S	27.0	480	3	1	32.5	15.47	45 X 49.5	2.75	49 X 6.75

Hi-Temp Duct - Type G

20 kW - 40 kW

Watt Density: 6

Gaumer Catalog Number	kW:	Volts:	Phase	Quantity Circuits	Total Amps	Face Area (Sq. Ft.)	Heater Duct Dim. Ht.x Lgth.(Inches)	Depth (Inches)	Heater Flange Ht.x Wdth.(Inches)
2G18N48M2S	28.0	240	3	2	67.4	7.73	22.5 X 49.5	5.5	26.5 X 9.5
2G18N48M4S	28.0	480	3	1	33.7	7.73	22.5 X 49.5	5.5	26.5 X 9.5
8G6N40M2S	29.6	240	3	2	71.2	2.16	7.5 X 41.5	22	11.5 X 26
8G12N20M2S	29.6	240	3	2	71.2	2.24	15 X 21.5	22	19 X 26
8G6N40M4Sp1	29.6	480	1	2	61.7	2.16	7.5 X 41.5	22	11.5 X 26
8G6N40M4S	29.6	480	3	1	35.6	2.16	7.5 X 41.5	22	11.5 X 26
8G12N20M4S	29.6	480	3	1	35.6	2.24	15 X 21.5	22	19 X 26
4G12N40M2S	30.0	240	3	2	72.2	4.32	15 X 41.5	11	19 X 15
3G12N52M2S	30.0	240	3	3	72.2	5.57	15 X 53.5	8.25	19 X 12.25
2G12N77M2S	30.0	240	3	2	72.2	8.18	15 X 78.5	5.5	19 X 9.5
2G18N52M2S	30.0	240	3	2	72.2	8.36	22.5 X 53.5	5.5	26.5 X 9.5
2G24N40M2S	30.0	240	3	2	72.2	8.65	30 X 41.5	5.5	34 X 9.5
1G48N40M2S	30.0	240	3	2	72.2	15.13	52.5 X 41.5	2.75	56.5 X 6.75
1G24N77M2S	30.0	240	3	2	72.2	16.35	30 X 78.5	2.75	34 X 6.75
1G36N52M2S	30.0	240	3	2	72.2	16.72	45 X 53.5	2.75	49 X 6.75
1G60N33M2S	30.0	240	3	2	72.2	17.97	75 X 34.5	2.75	79 X 6.75
4G12N40M4S	30.0	480	3	1	36.1	4.32	15 X 41.5	11	19 X 15
3G12N52M4S	30.0	480	3	1	36.1	5.57	15 X 53.5	8.25	19 X 12.25
2G12N77M4S	30.0	480	3	1	36.1	8.18	15 X 78.5	5.5	19 X 9.5
2G18N52M4S	30.0	480	3	1	36.1	8.36	22.5 X 53.5	5.5	26.5 X 9.5
2G24N40M4S	30.0	480	3	1	36.1	8.65	30 X 41.5	5.5	34 X 9.5
1G48N40M4S	30.0	480	3	1	36.1	15.13	52.5 X 41.5	2.75	56.5 X 6.75
1G24N77M4S	30.0	480	3	1	36.1	16.35	30 X 78.5	2.75	34 X 6.75
1G36N52M4S	30.0	480	3	1	36.1	16.72	45 X 53.5	2.75	49 X 6.75
1G60N33M4S	30.0	480	3	1	36.1	17.97	75 X 34.5	2.75	79 X 6.75
3G18N40M2S	33.6	240	3	3	80.8	6.48	22.5 X 41.5	8.25	26.5 X 12.25
3G18N40M4S	33.6	480	3	1	40.4	6.48	22.5 X 41.5	8.25	26.5 X 12.25
2G12N88M4S	34.0	480	3	1	40.9	9.32	15 X 89.5	5.5	19 X 9.5
1G24N88M4S	34.0	480	3	1	40.9	18.65	30 X 89.5	2.75	34 X 6.75
12G6N33M2S	36.0	240	3	2	86.6	1.80	7.5 X 34.5	33	11.5 X 37
12G12N18M2S	36.0	240	3	2	86.6	2.03	15 X 19.5	33	19 X 37
8G6N48M2S	36.0	240	3	2	86.6	2.58	7.5 X 49.5	22	11.5 X 26
8G12N25M2S	36.0	240	3	2	86.6	2.76	15 X 26.5	22	19 X 26
6G12N33M2S	36.0	240	3	2	86.6	3.59	15 X 34.5	16.5	19 X 20.5
4G12N48M2S	36.0	240	3	2	86.6	5.16	15 X 49.5	11	19 X 15
4G18N33M2S	36.0	240	3	2	86.6	5.39	22.5 X 34.5	11	26.5 X 15
3G24N33M2S	36.0	240	3	3	86.6	7.19	30 X 34.5	8.25	34 X 12.25
2G24N48M2S	36.0	240	3	2	86.6	10.31	30 X 49.5	5.5	34 X 9.5
2G36N33M2S	36.0	240	3	2	86.6	10.78	45 X 34.5	5.5	49 X 9.5
1G48N48M2S	36.0	240	3	2	86.6	18.05	52.5 X 49.5	2.75	56.5 X 6.75
12G6N33M4Sp1	36.0	480	1	2	75.0	1.80	7.5 X 34.5	33	11.5 X 37
8G6N48M4Sp1	36.0	480	1	2	75.0	2.58	7.5 X 49.5	22	11.5 X 26
12G6N33M4S	36.0	480	3	1	43.3	1.80	7.5 X 34.5	33	11.5 X 37
12G12N18M4S	36.0	480	3	1	43.3	2.03	15 X 19.5	33	19 X 37
8G6N48M4S	36.0	480	3	1	43.3	2.58	7.5 X 49.5	22	11.5 X 26
8G12N25M4S	36.0	480	3	1	43.3	2.76	15 X 26.5	22	19 X 26
6G12N33M4S	36.0	480	3	1	43.3	3.59	15 X 34.5	16.5	19 X 20.5

Hi-Temp Duct - Type G

20 kW - 40 kW

Watt Density: 6

Gaumer Catalog Number	kW:	Volts:	Phase	Quantity Circuits	Total Amps	Face Area (Sq. Ft.)	Heater Duct Dim. Ht.x Lgth.(Inches)	Depth (Inches)	Heater Flange Ht.x Wdth.(Inches)
4G12N48M4S	36.0	480	3	1	43.3	5.16	15 X 49.5	11	19 X 15
4G18N33M4S	36.0	480	3	1	43.3	5.39	22.5 X 34.5	11	26.5 X 15
3G24N33M4S	36.0	480	3	1	43.3	7.19	30 X 34.5	8.25	34 X 12.25
2G24N48M4S	36.0	480	3	1	43.3	10.31	30 X 49.5	5.5	34 X 9.5
2G36N33M4S	36.0	480	3	1	43.3	10.78	45 X 34.5	5.5	49 X 9.5
1G48N48M4S	36.0	480	3	1	43.3	18.05	52.5 X 49.5	2.75	56.5 X 6.75
1G72N33M2S	36.0	480	3	1	43.3	20.63	90 X 33	2.75	94 X 6.75
1G72N33M4S	36.0	480	3	1	43.3	21.56	90 X 34.5	2.75	94 X 6.75
2G18N64M2S	38.0	240	3	2	91.4	10.23	22.5 X 65.5	5.5	26.5 X 9.5
1G36N64M2S	38.0	240	3	2	91.4	20.47	45 X 65.5	2.75	49 X 6.75
1G60N40M2S	38.0	240	3	2	91.4	21.61	75 X 41.5	2.75	79 X 6.75
2G18N64M4S	38.0	480	3	1	45.7	10.23	22.5 X 65.5	5.5	26.5 X 9.5
1G36N64M4S	38.0	480	3	1	45.7	20.47	45 X 65.5	2.75	49 X 6.75
1G60N40M4S	38.0	480	3	1	45.7	21.61	75 X 41.5	2.75	79 X 6.75
3G12N64M2S	39.0	240	3	3	93.8	6.82	15 X 65.5	8.25	19 X 12.25
3G12N64M4S	39.0	480	3	1	46.9	6.82	15 X 65.5	8.25	19 X 12.25
8G6N52M2S	40.0	240	3	2	96.2	2.79	7.5 X 53.5	22	11.5 X 26
4G12N52M2S	40.0	240	3	2	96.2	5.57	15 X 53.5	11	19 X 15
2G24N52M2S	40.0	240	3	2	96.2	11.15	30 X 53.5	5.5	34 X 9.5
1G48N52M2S	40.0	240	3	2	96.2	19.51	52.5 X 53.5	2.75	56.5 X 6.75
8G6N52M4S	40.0	480	3	1	48.1	2.79	7.5 X 53.5	22	11.5 X 26
4G12N52M4S	40.0	480	3	1	48.1	5.57	15 X 53.5	11	19 X 15
2G24N52M4S	40.0	480	3	1	48.1	11.15	30 X 53.5	5.5	34 X 9.5
1G48N52M4S	40.0	480	3	1	48.1	19.51	52.5 X 53.5	2.75	56.5 X 6.75

Hi-Temp Duct - Type G

20 kW - 40 kW

Watt Density: 4

Gaumer Catalog Number	kW:	Volts:	Phase	Quantity Circuits	Total Amps	Face Area (Sq. Ft.)	Heater Duct Dim. Ht.x Lgth.(Inches)	Depth (Inches)	Heater Flange Ht.x Wdth.(Inches)
8G6N40H4SY	20.0	480	3	1	24.1	2.16	7.5 X 41.5	22	11.5 X 26
8G12N20H4SY	20.0	480	3	1	24.1	2.24	15 X 21.5	22	19 X 26
4G12N40H4SY	20.0	480	3	1	24.1	4.32	15 X 41.5	11	19 X 15
4G24N20H4SY	20.0	480	3	1	24.1	4.48	30 X 21.5	11	34 X 15
2G24N40H4SY	20.0	480	3	1	24.1	8.65	30 X 41.5	5.5	34 X 9.5
1G24N78H4SY	22.0	480	3	1	26.5	16.56	30 X 79.5	2.75	34 X 6.75
2G12N78H4SY	22.2	480	3	1	26.7	8.28	15 X 79.5	5.5	19 X 9.5
3G18N40H4SY	22.5	480	3	1	27.1	6.48	22.5 X 41.5	8.25	26.5 X 12.25
6G18N20H4SY	22.8	480	3	1	27.4	3.36	22.5 X 21.5	16.5	26.5 X 20.5
12G6N33H4SY	24.0	480	3	1	28.9	1.80	7.5 X 34.5	33	11.5 X 37
12G12N18H4SY	24.0	480	3	1	28.9	2.03	15 X 19.5	33	19 X 37
8G6N48H4SY	24.0	480	3	1	28.9	2.58	7.5 X 49.5	22	11.5 X 26
8G12N25H4SY	24.0	480	3	1	28.9	2.76	15 X 26.5	22	19 X 26
8G24N13H4SY	24.0	480	3	1	28.9	3.02	30 X 14.5	22	34 X 26
8G18N18H4SY	24.0	480	3	1	28.9	3.05	22.5 X 19.5	22	26.5 X 26
6G12N33H4SY	24.0	480	3	1	28.9	3.59	15 X 34.5	16.5	19 X 20.5
6G24N18H4SY	24.0	480	3	1	28.9	4.06	30 X 19.5	16.5	34 X 20.5
4G12N48H4SY	24.0	480	3	1	28.9	5.16	15 X 49.5	11	19 X 15
4G18N33H4SY	24.0	480	3	1	28.9	5.39	22.5 X 34.5	11	26.5 X 15
4G24N25H4SY	24.0	480	3	1	28.9	5.52	30 X 26.5	11	34 X 15
3G24N33H4SY	24.0	480	3	1	28.9	7.19	30 X 34.5	8.25	34 X 12.25
2G24N48H4SY	24.0	480	3	1	28.9	10.31	30 X 49.5	5.5	34 X 9.5
1G48N52H4SY	24.0	480	3	1	28.9	19.51	52.5 X 53.5	2.75	56.5 X 6.75
3G12N61H4SY	24.9	480	3	1	30.0	6.51	15 X 62.5	8.25	19 X 12.25
1G24N88H4SY	25.0	480	3	1	30.1	18.65	30 X 89.5	2.75	34 X 6.75
2G18N61H4SY	26.0	480	3	1	31.3	3.05	22.5 X 19.5	5.5	26.5 X 9.5
12G18N13H4SY	26.4	480	3	1	31.8	2.27	22.5 X 14.5	33	26.5 X 37
6G18N25H4SY	27.0	480	3	1	32.5	4.14	22.5 X 26.5	16.5	26.5 X 20.5
3G18N48H4SY	27.0	480	3	1	32.5	7.73	22.5 X 49.5	8.25	26.5 X 12.25
1G54N52H4SY	27.0	480	3	1	32.5	25.08	67.5 X 53.5	2.75	71.5 X 6.75
12G6N40H4SY	30.0	480	3	1	36.1	2.16	7.5 X 41.5	33	11.5 X 37
12G12N20H4SY	30.0	480	3	1	36.1	2.24	15 X 21.5	33	19 X 37
6G12N40H4SY	30.0	480	3	1	36.1	4.32	15 X 41.5	16.5	19 X 20.5
6G24N20H4SY	30.0	480	3	1	36.1	4.48	30 X 21.5	16.5	34 X 20.5
4G18N40H4SY	30.0	480	3	1	36.1	6.48	22.5 X 41.5	11	26.5 X 15
3G24N40H4SY	30.0	480	3	1	36.1	8.65	30 X 41.5	8.25	34 X 12.25
1G60N52H4SY	30.0	480	3	1	36.1	27.86	75 X 53.5	2.75	79 X 6.75
8G18N20H4SY	30.4	480	3	1	36.6	3.36	22.5 X 21.5	22	26.5 X 26
8G12N33H4SY	32.0	480	3	1	38.5	3.59	15 X 34.5	22	19 X 26
8G24N18H4SY	32.0	480	3	1	38.5	4.06	30 X 19.5	22	34 X 26
4G24N33H4SY	32.0	480	3	1	38.5	7.19	30 X 34.5	11	34 X 15
1G48N61H4SY	33.0	480	3	1	39.7	22.79	52.5 X 62.5	2.75	56.5 X 6.75
1G36N78H4SY	33.0	480	3	1	39.7	24.84	45 X 79.5	2.75	49 X 6.75
4G12N61H4SY	33.2	480	3	1	39.9	6.51	15 X 62.5	11	19 X 15
3G12N78H4SY	33.3	480	3	1	40.1	8.28	15 X 79.5	8.25	19 X 12.25
8G6N61H4SY	33.6	480	3	1	40.4	3.26	7.5 X 62.5	22	11.5 X 26
2G18N78H4SY	34.0	480	3	1	40.9	12.42	22.5 X 79.5	5.5	26.5 X 9.5

Hi-Temp Duct - Type G

20 kW - 40 kW

Watt Density: 4

Gaumer Catalog Number	kW:	Volts:	Phase	Quantity Circuits	Total Amps	Face Area (Sq. Ft.)	Heater Duct Dim. Ht.x Lgth.(Inches)	Depth (Inches)	Heater Flange Ht.x Wdth.(Inches)
2G24N61H4SY	34.0	480	3	1	40.9	13.02	30 X 62.5	5.5	34 X 9.5
12G6N48H4SY	36.0	480	3	1	43.3	2.58	7.5 X 49.5	33	11.5 X 37
12G12N25H4SY	36.0	480	3	1	43.3	2.76	15 X 26.5	33	19 X 37
12G24N13H4SY	36.0	480	3	1	43.3	3.02	30 X 14.5	33	34 X 37
12G18N18H4SY	36.0	480	3	1	43.3	3.05	22.5 X 19.5	33	26.5 X 37
8G18N25H4SY	36.0	480	3	1	43.3	4.14	22.5 X 26.5	22	26.5 X 26
6G12N48H4SY	36.0	480	3	1	43.3	5.16	15 X 49.5	16.5	19 X 20.5
6G18N33H4SY	36.0	480	3	1	43.3	5.39	22.5 X 34.5	16.5	26.5 X 20.5
6G24N25H4SY	36.0	480	3	1	43.3	5.52	30 X 26.5	16.5	34 X 20.5
4G18N48H4SY	36.0	480	3	1	43.3	7.73	22.5 X 49.5	11	26.5 X 15
3G24N48H4SY	36.0	480	3	1	43.3	10.31	30 X 49.5	8.25	34 X 12.25
1G72N52H4SY	36.0	480	3	1	43.3	33.44	90 X 53.5	2.75	94 X 6.75
2G18N88H4SY	38.0	480	3	1	45.7	13.98	22.5 X 89.5	5.5	26.5 X 9.5
1G36N88H4SY	38.0	480	3	1	45.7	27.97	45 X 89.5	2.75	49 X 6.75
1G54N61H4SY	38.0	480	3	1	45.7	29.30	67.5 X 62.5	2.75	71.5 X 6.75
3G18N61H4SY	39.0	480	3	1	46.9	3.05	22.5 X 19.5	8.25	26.5 X 12.25
8G12N40H4SY	40.0	480	3	1	48.1	4.32	15 X 41.5	22	19 X 26
8G24N20H4SY	40.0	480	3	1	48.1	4.48	30 X 21.5	22	34 X 26
4G24N40H4SY	40.0	480	3	1	48.1	8.65	30 X 41.5	11	34 X 15

GAUMER PROCESS

HEATERS
SYSTEMS
CONTROLS

APPLICATIONS

The Gaumer Electric Process Type G Duct Heater is designed for rugged duty where air must be heated to temperatures higher than what would be normal for comfort heating. Temperatures as high as 1100° F are possible if the heater is properly selected. Contact Gaumer Process for assistance in selecting Type G Duct Heaters.

HEATER SELECTION

One (1G-----) Row Coil

For heating large quantities of re-circulated air thru a very small temperature rise (to 20 degrees) resulting in a low pressure drop and low heater face velocity (300-1000 fpm).

Two (2G-----) or Three (3G-----) Row Coil

For heating large quantities of re-circulated air thru a normal temperature rise (10 to 50 degrees) resulting in a normal pressure drop and average heater face velocity(500-2000

Three (3G-----) or Four (4G-----) Row Coil

For average quantities of air thru a normal temperature rise (50-100 degrees) resulting in a low pressure drop and low heater face velocity (500-2000 fpm).

Six(6G--), Eight(8G--), or Twelve(12G---) Row Coil

For average quantities of air thru a higher than normal temperature rise (100-600 degrees).

SPECIAL FEATURES

- INS Insulated Section on Element Side of Flange
- SPT Flange Attached Spacer Assembly
- SS Stainless Steel Flange
- W Wattage Other Than Cataloged
- V Voltage Other Than Cataloged
- ER Explosion Resistant Construction
- LT Weatherproof Construction
- J(K) Additional Sheath Sensing Thermocouple for Overheat Protection
- HTR Space Heater Mounted in Terminal Enclosure
- X Special Feature not Listed Above

Hi-Temp Duct - Type G

40 kW - 60 kW



STANDARD FEATURES

Heating Elements

- Incoloy 800 Sheath Material
- Heavy Wall (.035 in.)
- Large Diameter (.475 in.)
- Sealed Terminals

Standard Features

- High Temp Alloy Spacers
- Gaumer "Evenflow" Configuration
- Type K TC for Overheat Protection
- Insulated Terminal Section

Construction

- Welded Heating Elements
- Welded Spacers

Installation

- Flying Leadwires Provided
- Only Standard Materials Needed in Field

Service

- Wiring Modifiable in Field

Hi-Temp Duct - Type G

40 kW - 60 kW

Watt Density: 23

Gaumer Catalog Number	kW:	Volts:	Phase	Quantity Circuits	Total Amps	Face Area (Sq. Ft.)	Heater Duct Dim. Ht.x Lgth.(Inches)	Depth (Inches)	Heater Flange Ht.x Wdth.(Inches)
1G12N52M2	40.0	240	3	2	96.2	5.57	15 X 53.5	2.75	19 X 6.75
1G12N52M4	40.0	480	3	1	48.1	5.57	15 X 53.5	2.75	19 X 6.75
6G6N20M2	45.0	240	3	4	108.3	1.12	7.5 X 21.5	16.5	11.5 X 20.5
3G6N40M2	45.0	240	3	3	108.3	2.16	7.5 X 41.5	8.25	11.5 X 12.25
3G12N20M2	45.0	240	3	3	108.3	2.24	15 X 21.5	8.25	19 X 12.25
1G18N40M2	45.0	240	3	3	108.3	6.48	22.5 X 41.5	2.75	26.5 X 6.75
6G6N20M4	45.0	480	3	2	54.1	1.12	7.5 X 21.5	16.5	11.5 X 20.5
3G6N40M4	45.0	480	3	3	54.1	2.16	7.5 X 41.5	8.25	11.5 X 12.25
3G12N20M4	45.0	480	3	3	54.1	2.24	15 X 21.5	8.25	19 X 12.25
1G18N40M4	45.0	480	3	2	54.1	6.48	22.5 X 41.5	2.75	26.5 X 6.75
1G36N20M4	45.0	480	3	2	54.1	6.72	45 X 21.5	2.75	49 X 6.75
2G18N20M2	46.0	240	3	2	110.7	3.36	22.5 X 21.5	5.5	26.5 X 9.5
2G18N20M4	46.0	480	3	2	55.3	3.36	22.5 X 21.5	5.5	26.5 X 9.5
8G6N18M2	48.0	240	3	4	115.5	1.02	7.5 X 19.5	22	11.5 X 26
4G6N33M2	48.0	240	3	4	115.5	1.80	7.5 X 34.5	11	11.5 X 15
4G12N18M2	48.0	240	3	4	115.5	2.03	15 X 19.5	11	19 X 15
2G12N33M2	48.0	240	3	2	115.5	3.59	15 X 34.5	5.5	19 X 9.5
2G24N18M2	48.0	240	3	2	115.5	4.06	30 X 19.5	5.5	34 X 9.5
1G24N33M2	48.0	240	3	4	115.5	7.19	30 X 34.5	2.75	34 X 6.75
8G6N18M4	48.0	480	3	2	57.7	1.02	7.5 X 19.5	22	11.5 X 26
4G6N33M4	48.0	480	3	2	57.7	1.80	7.5 X 34.5	11	11.5 X 15
4G12N18M4	48.0	480	3	2	57.7	2.03	15 X 19.5	11	19 X 15
2G12N33M4	48.0	480	3	2	57.7	3.59	15 X 34.5	5.5	19 X 9.5
2G24N18M4	48.0	480	3	2	57.7	4.06	30 X 19.5	5.5	34 X 9.5
1G48N18M4	48.0	480	3	2	57.7	7.11	52.5 X 19.5	2.75	56.5 X 6.75
1G24N33M4	48.0	480	3	2	57.7	7.19	30 X 34.5	2.75	34 X 6.75
1G12N64M2	50.0	240	3	4	120.3	6.82	15 X 65.5	2.75	19 X 6.75
1G12N64M4	50.0	480	3	2	60.1	6.82	15 X 65.5	2.75	19 X 6.75
12G6N13M2	52.8	240	3	4	122.4	0.76	7.5 X 14.5	33	11.5 X 37
12G6N13M4	52.8	480	3	2	61.2	0.76	7.5 X 14.5	33	11.5 X 37
6G6N25M2	54.0	240	3	4	129.9	1.38	7.5 X 26.5	16.5	11.5 X 20.5
3G12N25M2	54.0	240	3	3	129.9	2.76	15 X 26.5	8.25	19 X 12.25
3G18N18M2	54.0	240	3	3	129.9	3.05	22.5 X 19.5	8.25	26.5 X 12.25
2G18N25M2	54.0	240	3	2	129.9	4.14	22.5 X 26.5	5.5	26.5 X 9.5
1G18N48M2	54.0	240	3	3	129.9	7.73	22.5 X 49.5	2.75	26.5 X 6.75
6G6N25M4	54.0	480	3	2	65.0	1.38	7.5 X 26.5	16.5	11.5 X 20.5
3G12N25M4	54.0	480	3	3	65.0	2.76	15 X 26.5	8.25	19 X 12.25
3G18N18M4	54.0	480	3	3	65.0	3.05	22.5 X 19.5	8.25	26.5 X 12.25
2G18N25M4	54.0	480	3	2	65.0	4.14	22.5 X 26.5	5.5	26.5 X 9.5
1G18N48M4	54.0	480	3	2	65.0	7.73	22.5 X 49.5	2.75	26.5 X 6.75
1G36N25M4	54.0	480	3	2	65.0	8.28	45 X 26.5	2.75	49 X 6.75
8G6N20M2	60.0	240	3	4	144.3	1.12	7.5 X 21.5	22	11.5 X 26
4G6N40M2	60.0	240	3	6	144.3	2.16	7.5 X 41.5	11	11.5 X 15
4G12N20M2	60.0	240	3	6	144.3	2.24	15 X 21.5	11	19 X 15
2G12N40M2	60.0	240	3	2	144.3	4.32	15 X 41.5	5.5	19 X 9.5
2G24N20M2	60.0	240	3	2	144.3	4.48	30 X 21.5	5.5	34 X 9.5
1G12N77M2	60.0	240	3	4	144.3	8.18	15 X 78.5	2.75	19 X 6.75

Hi-Temp Duct - Type G

40 kW - 60 kW

Watt Density: 23

Gaumer Catalog Number	kW:	Volts:	Phase	Quantity Circuits	Total Amps	Face Area (Sq. Ft.)	Heater Duct Dim. Ht.x Lgth.(Inches)	Depth (Inches)	Heater Flange Ht.x Wdth.(Inches)
1G18N52M2	60.0	240	3	3	144.3	8.36	22.5 X 53.5	2.75	26.5 X 6.75
1G24N40M2	60.0	240	3	4	144.3	8.65	30 X 41.5	2.75	34 X 6.75
8G6N20M4	60.0	480	3	2	72.2	1.12	7.5 X 21.5	22	11.5 X 26
4G6N40M4	60.0	480	3	2	72.2	2.16	7.5 X 41.5	11	11.5 X 15
4G12N20M4	60.0	480	3	2	72.2	2.24	15 X 21.5	11	19 X 15
2G12N40M4	60.0	480	3	2	72.2	4.32	15 X 41.5	5.5	19 X 9.5
2G24N20M4	60.0	480	3	2	72.2	4.48	30 X 21.5	5.5	34 X 9.5
1G48N20M4	60.0	480	3	2	72.2	7.84	52.5 X 21.5	2.75	56.5 X 6.75
1G12N77M4	60.0	480	3	2	72.2	8.18	15 X 78.5	2.75	19 X 6.75
1G18N52M4	60.0	480	3	2	72.2	8.36	22.5 X 53.5	2.75	26.5 X 6.75
1G24N40M4	60.0	480	3	2	72.2	8.65	30 X 41.5	2.75	34 X 6.75

Hi-Temp Duct - Type G

40 kW - 60 kW

Watt Density: 20

Gaumer Catalog Number	kW:	Volts:	Phase	Quantity Circuits	Total Amps	Face Area (Sq. Ft.)	Heater Duct Dim. Ht.x Lgth.(Inches)	Depth (Inches)	Heater Flange Ht.x Wdth.(Inches)
4G6N33B2Y	40.0	240	3	2	96.2	1.80	7.5 X 34.5	11	11.5 X 15
2G12N33B2Y	40.0	240	3	2	96.2	3.59	15 X 34.5	5.5	19 X 9.5
1G12N61B2Y	40.0	240	3	2	96.2	6.51	15 X 62.5	2.75	19 X 6.75
1G18N43B2Y	40.0	240	3	2	96.2	6.95	22.5 X 44.5	2.75	26.5 X 6.75
1G24N33B2Y	40.0	240	3	2	96.2	7.19	30 X 34.5	2.75	34 X 6.75
4G6N33B4Y	40.0	480	3	1	48.1	1.80	7.5 X 34.5	11	11.5 X 15
2G12N33B4Y	40.0	480	3	1	48.1	3.59	15 X 34.5	5.5	19 X 9.5
1G12N61B4Y	40.0	480	3	1	48.1	6.51	15 X 62.5	2.75	19 X 6.75
1G18N43B4Y	40.0	480	3	1	48.1	6.95	22.5 X 44.5	2.75	26.5 X 6.75
1G24N33B4Y	40.0	480	3	1	48.1	7.19	30 X 34.5	2.75	34 X 6.75
2G24N18B2Y	42.0	240	3	2	101.0	4.06	30 X 19.5	5.5	34 X 9.5
2G24N18B4Y	42.0	480	3	2	50.5	4.06	30 X 19.5	5.5	34 X 9.5
8G6N18B2Y	42.4	240	3	4	102.0	1.02	7.5 X 19.5	22	11.5 X 26
8G6N18B4Y	42.4	480	3	2	51.0	1.02	7.5 X 19.5	22	11.5 X 26
4G12N18B2Y	42.8	240	3	4	103.0	2.03	15 X 19.5	11	19 X 15
4G12N18B4Y	42.8	480	3	2	51.5	2.03	15 X 19.5	11	19 X 15
2G24N20B2Y	46.0	240	3	2	110.7	4.48	30 X 21.5	5.5	34 X 9.5
2G24N20B4Y	46.0	480	3	2	55.3	4.48	30 X 21.5	5.5	34 X 9.5
8G6N20B2Y	46.4	240	3	4	111.6	1.12	7.5 X 21.5	22	11.5 X 26
4G12N20B2Y	46.4	240	3	4	111.6	2.24	15 X 21.5	11	19 X 15
8G6N20B4Y	46.4	480	3	2	55.8	1.12	7.5 X 21.5	22	11.5 X 26
4G12N20B4Y	46.4	480	3	2	55.8	2.24	15 X 21.5	11	19 X 15
6G6N25B2Y	48.0	240	3	4	115.5	1.38	7.5 X 26.5	16.5	11.5 X 20.5
3G12N25B2Y	48.0	240	3	3	115.5	2.76	15 X 26.5	8.25	19 X 12.25
3G18N18B2Y	48.0	240	3	3	115.5	3.05	22.5 X 19.5	8.25	26.5 X 12.25
2G18N25B2Y	48.0	240	3	2	115.5	4.14	22.5 X 26.5	5.5	26.5 X 9.5
6G6N25B4Y	48.0	480	3	2	57.7	1.38	7.5 X 26.5	16.5	11.5 X 20.5
3G12N25B4Y	48.0	480	3	3	57.7	2.76	15 X 26.5	8.25	19 X 12.25
3G18N18B4Y	48.0	480	3	3	57.7	3.05	22.5 X 19.5	8.25	26.5 X 12.25
2G18N25B4Y	48.0	480	3	2	57.7	4.14	22.5 X 26.5	5.5	26.5 X 9.5
1G18N52B2Y	50.0	240	3	3	120.3	8.36	22.5 X 53.5	2.75	26.5 X 6.75
1G18N52B4Y	50.0	480	3	2	60.1	8.36	22.5 X 53.5	2.75	26.5 X 6.75
1G30N33B4Y	50.0	480	3	2	60.1	8.98	37.5 X 34.5	2.75	41.5 X 6.75
3G18N20B2Y	51.0	240	3	3	122.7	3.36	22.5 X 21.5	8.25	26.5 X 12.25
3G18N20B4Y	51.0	480	3	3	61.3	3.36	22.5 X 21.5	8.25	26.5 X 12.25
4G6N43B2Y	52.0	240	3	4	125.1	2.32	7.5 X 44.5	11	11.5 X 15
4G6N43B4Y	52.0	480	3	2	62.5	2.32	7.5 X 44.5	11	11.5 X 15
1G24N43B2Y	53.0	240	3	4	127.5	9.27	30 X 44.5	2.75	34 X 6.75
1G24N43B4Y	53.0	480	3	2	63.8	9.27	30 X 44.5	2.75	34 X 6.75
2G12N43B2Y	54.0	240	3	2	129.9	4.64	15 X 44.5	5.5	19 X 9.5
2G12N43B4Y	54.0	480	3	2	65.0	4.64	15 X 44.5	5.5	19 X 9.5
1G12N78B2Y	59.0	240	3	4	141.9	8.13	15 X 78	2.75	19 X 6.75
1G12N88B4Y	59.0	480	3	2	71.0	9.32	15 X 89.5	2.75	19 X 6.75
6G6N33B2Y	60.0	240	3	6	144.3	1.80	7.5 X 34.5	16.5	11.5 X 20.5
3G12N33B2Y	60.0	240	3	3	144.3	3.59	15 X 34.5	8.25	19 X 12.25
2G18N33B2Y	60.0	240	3	2	144.3	5.39	22.5 X 34.5	5.5	26.5 X 9.5
1G18N61B2Y	60.0	240	3	3	144.3	9.77	22.5 X 62.5	2.75	26.5 X 6.75

Hi-Temp Duct - Type G

40 kW - 60 kW

Watt Density: 20

Gaumer Catalog Number	kW:	Volts:	Phase	Quantity Circuits	Total Amps	Face Area (Sq. Ft.)	Heater Duct Dim. Ht.x Lgth.(Inches)	Depth (Inches)	Heater Flange Ht.x Wdth.(Inches)
6G6N33B4Y	60.0	480	3	2	72.2	1.80	7.5 X 34.5	16.5	11.5 X 20.5
3G12N33B4Y	60.0	480	3	3	72.2	3.59	15 X 34.5	8.25	19 X 12.25
2G18N33B4Y	60.0	480	3	2	72.2	5.39	22.5 X 34.5	5.5	26.5 X 9.5
1G18N61B4Y	60.0	480	3	2	72.2	9.77	22.5 X 62.5	2.75	26.5 X 6.75
1G36N33B4Y	60.0	480	3	2	72.2	10.78	45 X 34.5	2.75	49 X 6.75

Hi-Temp Duct - Type G

40 kW - 60 kW

Watt Density: 15

Gaumer Catalog Number	kW:	Volts:	Phase	Quantity Circuits	Total Amps	Face Area (Sq. Ft.)	Heater Duct Dim. Ht.x Lgth.(Inches)	Depth (Inches)	Heater Flange Ht.x Wdth.(Inches)
8G6N20H2Y	40.0	240	3	2	96.2	1.12	7.5 X 21.5	22	11.5 X 26
4G6N40H2Y	40.0	240	3	2	96.2	2.16	7.5 X 41.5	11	11.5 X 15
4G12N20H2Y	40.0	240	3	2	96.2	2.24	15 X 21.5	11	19 X 15
4G6N43B2S	40.0	240	3	2	96.2	2.32	7.5 X 44.5	11	11.5 X 15
2G12N40H2Y	40.0	240	3	2	96.2	4.32	15 X 41.5	5.5	19 X 9.5
2G24N20H2Y	40.0	240	3	2	96.2	4.48	30 X 21.5	5.5	34 X 9.5
2G12N43B2S	40.0	240	3	2	96.2	4.64	15 X 44.5	5.5	19 X 9.5
1G24N40H2Y	40.0	240	3	2	96.2	8.65	30 X 41.5	2.75	34 X 6.75
1G24N43B2S	40.0	240	3	2	96.2	9.27	30 X 44.5	2.75	34 X 6.75
8G6N20H4Y	40.0	480	3	1	48.1	1.12	7.5 X 21.5	22	11.5 X 26
4G6N40H4Y	40.0	480	3	1	48.1	2.16	7.5 X 41.5	11	11.5 X 15
4G12N20H4Y	40.0	480	3	1	48.1	2.24	15 X 21.5	11	19 X 15
4G6N43B4S	40.0	480	3	1	48.1	2.32	7.5 X 44.5	11	11.5 X 15
2G12N40H4Y	40.0	480	3	1	48.1	4.32	15 X 41.5	5.5	19 X 9.5
2G24N20H4Y	40.0	480	3	1	48.1	4.48	30 X 21.5	5.5	34 X 9.5
2G12N43B4S	40.0	480	3	1	48.1	4.64	15 X 44.5	5.5	19 X 9.5
1G24N40H4Y	40.0	480	3	1	48.1	8.65	30 X 41.5	2.75	34 X 6.75
1G24N43B4S	40.0	480	3	1	48.1	9.27	30 X 44.5	2.75	34 X 6.75
1G12N78B2S	44.0	240	3	2	105.9	8.13	15 X 78	2.75	19 X 6.75
1G12N78H2Y	44.0	240	3	4	105.9	8.28	15 X 79.5	2.75	19 X 6.75
1G12N88B4D	44.0	240	3	4	105.9	9.32	15 X 89.5	2.75	19 X 6.75
1G12N78H4Y	44.0	480	3	2	52.9	8.28	15 X 79.5	2.75	19 X 6.75
6G6N33B2S	45.0	240	3	4	108.3	1.80	7.5 X 34.5	16.5	11.5 X 20.5
3G18N20H2Y	45.0	240	3	3	108.3	3.36	22.5 X 21.5	8.25	26.5 X 12.25
3G12N33B2S	45.0	240	3	3	108.3	3.59	15 X 34.5	8.25	19 X 12.25
1G18N61B2S	45.0	240	3	3	108.3	9.77	22.5 X 62.5	2.75	26.5 X 6.75
6G6N33B4S	45.0	480	3	2	54.1	1.80	7.5 X 34.5	16.5	11.5 X 20.5
3G18N20H4Y	45.0	480	3	3	54.1	3.36	22.5 X 21.5	8.25	26.5 X 12.25
3G12N33B4S	45.0	480	3	3	54.1	3.59	15 X 34.5	8.25	19 X 12.25
1G18N61B4S	45.0	480	3	2	54.1	9.77	22.5 X 62.5	2.75	26.5 X 6.75
1G36N33B4S	45.0	480	3	2	54.1	10.78	45 X 34.5	2.75	49 X 6.75
2G18N33B2S	46.0	240	3	3	110.7	5.39	22.5 X 34.5	5.5	26.5 X 9.5
2G18N33B4S	46.0	480	3	2	55.3	5.39	22.5 X 34.5	5.5	26.5 X 9.5
12G6N18H2Y	48.0	240	3	4	115.5	1.02	7.5 X 19.5	33	11.5 X 37
12G6N18B2S	48.0	240	3	4	115.5	1.02	7.5 X 19.5	33	11.5 X 37
8G6N25H2Y	48.0	240	3	4	115.5	1.38	7.5 X 26.5	22	11.5 X 26
8G6N25B2S	48.0	240	3	4	115.5	1.38	7.5 X 26.5	22	11.5 X 26
8G12N13H2Y	48.0	240	3	4	115.5	1.51	15 X 14.5	22	19 X 26
6G6N33H2Y	48.0	240	3	4	115.5	1.80	7.5 X 34.5	16.5	11.5 X 20.5
6G12N18B2S	48.0	240	3	4	115.5	2.03	15 X 19.5	16.5	19 X 20.5
6G12N18H2Y	48.0	240	3	4	115.5	2.03	15 X 19.5	16.5	19 X 20.5
4G12N25H2Y	48.0	240	3	4	115.5	2.76	15 X 26.5	11	19 X 15
4G12N25B2S	48.0	240	3	4	115.5	2.76	15 X 26.5	11	19 X 15
4G24N13H2Y	48.0	240	3	4	115.5	3.02	30 X 14.5	11	34 X 15
4G18N18H2Y	48.0	240	3	4	115.5	3.05	22.5 X 19.5	11	26.5 X 15
4G18N18B2S	48.0	240	3	4	115.5	3.05	22.5 X 19.5	11	26.5 X 15
3G12N33H2Y	48.0	240	3	3	115.5	3.59	15 X 34.5	8.25	19 X 12.25

Hi-Temp Duct - Type G

40 kW - 60 kW

Watt Density: 15

Gaumer Catalog Number	kW:	Volts:	Phase	Quantity Circuits	Total Amps	Face Area (Sq. Ft.)	Heater Duct Dim. Ht.x Lgth.(Inches)	Depth (Inches)	Heater Flange Ht.x Wdth.(Inches)
3G24N18B2S	48.0	240	3	3	115.5	4.06	30 X 19.5	8.25	34 X 12.25
3G24N18H2Y	48.0	240	3	3	115.5	4.06	30 X 19.5	8.25	34 X 12.25
2G12N48H2Y	48.0	240	3	2	115.5	5.16	15 X 49.5	5.5	19 X 9.5
2G18N33H2Y	48.0	240	3	2	115.5	5.39	22.5 X 34.5	5.5	26.5 X 9.5
2G24N25B2S	48.0	240	3	2	115.5	5.52	30 X 26.5	5.5	34 X 9.5
2G24N25H2Y	48.0	240	3	2	115.5	5.52	30 X 26.5	5.5	34 X 9.5
1G24N48H2Y	48.0	240	3	4	115.5	10.31	30 X 49.5	2.75	34 X 6.75
12G6N18B4S	48.0	480	3	2	57.7	1.02	7.5 X 19.5	33	11.5 X 37
12G6N18H4Y	48.0	480	3	2	57.7	1.02	7.5 X 19.5	33	11.5 X 37
8G6N25H4Y	48.0	480	3	2	57.7	1.38	7.5 X 26.5	22	11.5 X 26
8G6N25B4S	48.0	480	3	2	57.7	1.38	7.5 X 26.5	22	11.5 X 26
8G12N13H4Y	48.0	480	3	2	57.7	1.51	15 X 14.5	22	19 X 26
6G6N33H4Y	48.0	480	3	2	57.7	1.80	7.5 X 34.5	16.5	11.5 X 20.5
6G12N18B4S	48.0	480	3	2	57.7	2.03	15 X 19.5	16.5	19 X 20.5
6G12N18H4Y	48.0	480	3	2	57.7	2.03	15 X 19.5	16.5	19 X 20.5
4G12N25B4S	48.0	480	3	2	57.7	2.76	15 X 26.5	11	19 X 15
4G12N25H4Y	48.0	480	3	2	57.7	2.76	15 X 26.5	11	19 X 15
4G24N13H4Y	48.0	480	3	2	57.7	3.02	30 X 14.5	11	34 X 15
4G18N18H4Y	48.0	480	3	2	57.7	3.05	22.5 X 19.5	11	26.5 X 15
4G18N18B4S	48.0	480	3	2	57.7	3.05	22.5 X 19.5	11	26.5 X 15
3G12N33H4Y	48.0	480	3	3	57.7	3.59	15 X 34.5	8.25	19 X 12.25
3G24N18B4S	48.0	480	3	3	57.7	4.06	30 X 19.5	8.25	34 X 12.25
3G24N18H4Y	48.0	480	3	3	57.7	4.06	30 X 19.5	8.25	34 X 12.25
2G12N48H4Y	48.0	480	3	2	57.7	5.16	15 X 49.5	5.5	19 X 9.5
2G18N33H4Y	48.0	480	3	2	57.7	5.39	22.5 X 34.5	5.5	26.5 X 9.5
2G24N25B4S	48.0	480	3	2	57.7	5.52	30 X 26.5	5.5	34 X 9.5
2G24N25H4Y	48.0	480	3	2	57.7	5.52	30 X 26.5	5.5	34 X 9.5
1G24N48H4Y	48.0	480	3	2	57.7	10.31	30 X 49.5	2.75	34 X 6.75
1G36N33H4Y	48.0	480	3	2	57.7	10.78	45 X 34.5	2.75	49 X 6.75
2G12N52B2S	50.0	240	3	2	120.3	5.57	15 X 53.5	5.5	19 X 9.5
1G24N52B2S	50.0	240	3	4	120.3	11.15	30 X 53.5	2.75	34 X 6.75
2G12N52B4S	50.0	480	3	2	60.1	5.57	15 X 53.5	5.5	19 X 9.5
1G12N88H4Y	50.0	480	3	2	60.1	9.32	15 X 89.5	2.75	19 X 6.75
1G18N61H4Y	50.0	480	3	2	60.1	9.77	22.5 X 62.5	2.75	26.5 X 6.75
1G24N52B4S	50.0	480	3	2	60.1	11.15	30 X 53.5	2.75	34 X 6.75
1G30N43B4S	50.0	480	3	2	60.1	11.59	37.5 X 44.5	2.75	41.5 X 6.75
3G24N20B2S	51.0	240	3	3	122.7	4.48	30 X 21.5	8.25	34 X 12.25
3G24N20B4S	51.0	480	3	3	61.3	4.48	30 X 21.5	8.25	34 X 12.25
4G18N20B2S	52.0	240	3	4	125.1	3.36	22.5 X 21.5	11	26.5 X 15
4G18N20B4S	52.0	480	3	2	62.5	3.36	22.5 X 21.5	11	26.5 X 15
6G12N20B2S	52.2	240	3	4	125.6	2.24	15 X 21.5	16.5	19 X 20.5
6G12N20B4S	52.2	480	3	2	62.8	2.24	15 X 21.5	16.5	19 X 20.5
12G6N20B2S	52.8	240	3	4	127.0	1.12	7.5 X 21.5	33	11.5 X 37
12G6N20B4S	52.8	480	3	2	63.5	1.12	7.5 X 21.5	33	11.5 X 37
6G18N13H2Y	54.0	240	3	4	129.9	2.27	22.5 X 14.5	16.5	26.5 X 20.5
3G18N25B2S	54.0	240	3	3	129.9	4.14	22.5 X 26.5	8.25	26.5 X 12.25
3G18N25H2Y	54.0	240	3	3	129.9	4.14	22.5 X 26.5	8.25	26.5 X 12.25

Hi-Temp Duct - Type G

40 kW - 60 kW

Watt Density: 15

Gaumer Catalog Number	kW:	Volts:	Phase	Quantity Circuits	Total Amps	Face Area (Sq. Ft.)	Heater Duct Dim. Ht.x Lgth.(Inches)	Depth (Inches)	Heater Flange Ht.x Wdth.(Inches)
6G18N13H4Y	54.0	480	3	2	65.0	2.27	22.5 X 14.5	16.5	26.5 X 20.5
3G18N25B4S	54.0	480	3	3	65.0	4.14	22.5 X 26.5	8.25	26.5 X 12.25
3G18N25H4Y	54.0	480	3	3	65.0	4.14	22.5 X 26.5	8.25	26.5 X 12.25
12G6N20H2Y	60.0	240	3	4	144.3	1.12	7.5 X 21.5	33	11.5 X 37
8G6N33B2S	60.0	240	3	4	144.3	1.80	7.5 X 34.5	22	11.5 X 26
6G6N40H2Y	60.0	240	3	6	144.3	2.16	7.5 X 41.5	16.5	11.5 X 20.5
6G12N20H2Y	60.0	240	3	6	144.3	2.24	15 X 21.5	16.5	19 X 20.5
6G6N43B2S	60.0	240	3	6	144.3	2.32	7.5 X 44.5	16.5	11.5 X 20.5
4G18N20H2Y	60.0	240	3	6	144.3	3.36	22.5 X 21.5	11	26.5 X 15
4G12N33B2S	60.0	240	3	6	144.3	3.59	15 X 34.5	11	19 X 15
3G12N40H2Y	60.0	240	3	3	144.3	4.32	15 X 41.5	8.25	19 X 12.25
3G24N20H2Y	60.0	240	3	3	144.3	4.48	30 X 21.5	8.25	34 X 12.25
3G12N43B2S	60.0	240	3	3	144.3	4.64	15 X 44.5	8.25	19 X 12.25
2G18N40H2Y	60.0	240	3	2	144.3	6.48	22.5 X 41.5	5.5	26.5 X 9.5
2G12N61B2S	60.0	240	3	2	144.3	6.51	15 X 62.5	5.5	19 X 9.5
2G18N43B2S	60.0	240	3	3	144.3	6.95	22.5 X 44.5	5.5	26.5 X 9.5
2G24N33B2S	60.0	240	3	2	144.3	7.19	30 X 34.5	5.5	34 X 9.5
1G24N61B2S	60.0	240	3	4	144.3	13.02	30 X 62.5	2.75	34 X 6.75
12G6N20H4Y	60.0	480	3	2	72.2	1.12	7.5 X 21.5	33	11.5 X 37
8G6N33B4S	60.0	480	3	2	72.2	1.80	7.5 X 34.5	22	11.5 X 26
6G6N40H4Y	60.0	480	3	2	72.2	2.16	7.5 X 41.5	16.5	11.5 X 20.5
6G12N20H4Y	60.0	480	3	2	72.2	2.24	15 X 21.5	16.5	19 X 20.5
6G6N43B4S	60.0	480	3	2	72.2	2.32	7.5 X 44.5	16.5	11.5 X 20.5
4G18N20H4Y	60.0	480	3	2	72.2	3.36	22.5 X 21.5	11	26.5 X 15
4G12N33B4S	60.0	480	3	2	72.2	3.59	15 X 34.5	11	19 X 15
3G12N40H4Y	60.0	480	3	3	72.2	4.32	15 X 41.5	8.25	19 X 12.25
3G24N20H4Y	60.0	480	3	3	72.2	4.48	30 X 21.5	8.25	34 X 12.25
3G12N43B4S	60.0	480	3	3	72.2	4.64	15 X 44.5	8.25	19 X 12.25
2G18N40H4Y	60.0	480	3	2	72.2	6.48	22.5 X 41.5	5.5	26.5 X 9.5
2G12N61B4S	60.0	480	3	2	72.2	6.51	15 X 62.5	5.5	19 X 9.5
2G18N43B4S	60.0	480	3	2	72.2	6.95	22.5 X 44.5	5.5	26.5 X 9.5
2G24N33B4S	60.0	480	3	2	72.2	7.19	30 X 34.5	5.5	34 X 9.5
1G48N33B4S	60.0	480	3	2	72.2	12.58	52.5 X 34.5	2.75	56.5 X 6.75
1G36N40H4Y	60.0	480	3	2	72.2	12.97	45 X 41.5	2.75	49 X 6.75
1G24N61B4S	60.0	480	3	2	72.2	13.02	30 X 62.5	2.75	34 X 6.75
1G36N43B4S	60.0	480	3	2	72.2	13.91	45 X 44.5	2.75	49 X 6.75

Hi-Temp Duct - Type G

40 kW - 60 kW

Watt Density: 12

Gaumer Catalog Number	kW:	Volts:	Phase	Quantity Circuits	Total Amps	Face Area (Sq. Ft.)	Heater Duct Dim. Ht.x Lgth.(Inches)	Depth (Inches)	Heater Flange Ht.x Wdth.(Inches)
6G18N13H2S	40.2	240	3	2	96.7	2.27	22.5 X 14.5	16.5	26.5 X 20.5
6G18N13H4S	40.2	480	3	1	48.4	2.27	22.5 X 14.5	16.5	26.5 X 20.5
3G18N25H2S	42.0	240	3	3	101.0	4.14	22.5 X 26.5	8.25	26.5 X 12.25
3G18N25H4S	42.0	480	3	3	50.5	4.14	22.5 X 26.5	8.25	26.5 X 12.25
6G6N40H2S	45.0	240	3	4	108.3	2.16	7.5 X 41.5	16.5	11.5 X 20.5
6G12N20H2S	45.0	240	3	4	108.3	2.24	15 X 21.5	16.5	19 X 20.5
3G12N40H2S	45.0	240	3	3	108.3	4.32	15 X 41.5	8.25	19 X 12.25
3G24N20H2S	45.0	240	3	3	108.3	4.48	30 X 21.5	8.25	34 X 12.25
6G6N40H4S	45.0	480	3	2	54.1	2.16	7.5 X 41.5	16.5	11.5 X 20.5
6G12N20H4S	45.0	480	3	2	54.1	2.24	15 X 21.5	16.5	19 X 20.5
3G12N40H4S	45.0	480	3	3	54.1	4.32	15 X 41.5	8.25	19 X 12.25
3G24N20H4S	45.0	480	3	3	54.1	4.48	30 X 21.5	8.25	34 X 12.25
4G18N20H2S	45.2	240	3	4	108.7	3.36	22.5 X 21.5	11	26.5 X 15
4G18N20H4S	45.2	480	3	2	54.4	3.36	22.5 X 21.5	11	26.5 X 15
12G6N20H2S	45.6	240	3	4	109.7	1.12	7.5 X 21.5	33	11.5 X 37
12G6N20H4S	45.6	480	3	2	54.8	1.12	7.5 X 21.5	33	11.5 X 37
2G18N40H2S	46.0	240	3	2	110.7	6.48	22.5 X 41.5	5.5	26.5 X 9.5
2G18N40H4S	46.0	480	3	2	55.3	6.48	22.5 X 41.5	5.5	26.5 X 9.5
8G6N33H2S	48.0	240	3	4	115.5	1.80	7.5 X 34.5	22	11.5 X 26
8G12N18H2S	48.0	240	3	4	115.5	2.03	15 X 19.5	22	19 X 26
4G12N33H2S	48.0	240	3	4	115.5	3.59	15 X 34.5	11	19 X 15
4G24N18H2S	48.0	240	3	4	115.5	4.06	30 X 19.5	11	34 X 15
2G24N33H2S	48.0	240	3	2	115.5	7.19	30 X 34.5	5.5	34 X 9.5
8G6N33H4S	48.0	480	3	2	57.7	1.80	7.5 X 34.5	22	11.5 X 26
8G12N18H4S	48.0	480	3	2	57.7	2.03	15 X 19.5	22	19 X 26
4G12N33H4S	48.0	480	3	2	57.7	3.59	15 X 34.5	11	19 X 15
4G24N18H4S	48.0	480	3	2	57.7	4.06	30 X 19.5	11	34 X 15
2G24N33H4S	48.0	480	3	2	57.7	7.19	30 X 34.5	5.5	34 X 9.5
2G12N61H2S	50.0	240	3	2	120.3	6.51	15 X 62.5	5.5	19 X 9.5
1G18N78H2S	50.0	240	3	3	120.3	12.42	22.5 X 79.5	2.75	26.5 X 6.75
1G24N61H2S	50.0	240	3	4	120.3	13.02	30 X 62.5	2.75	34 X 6.75
2G12N61H4S	50.0	480	3	2	60.1	6.51	15 X 62.5	5.5	19 X 9.5
1G18N78H4S	50.0	480	3	2	60.1	12.42	22.5 X 79.5	2.75	26.5 X 6.75
1G24N61H4S	50.0	480	3	2	60.1	13.02	30 X 62.5	2.75	34 X 6.75
8G18N13H2S	53.6	240	3	4	128.9	2.27	22.5 X 14.5	22	26.5 X 26
8G18N13H4S	53.6	480	3	2	64.5	2.27	22.5 X 14.5	22	26.5 X 26
12G6N25H2S	54.0	240	3	4	129.9	1.38	7.5 X 26.5	33	11.5 X 37
12G12N13H2S	54.0	240	3	4	129.9	1.51	15 X 14.5	33	19 X 37
6G12N25H2S	54.0	240	3	4	129.9	2.76	15 X 26.5	16.5	19 X 20.5
6G24N13H2S	54.0	240	3	4	129.9	3.02	30 X 14.5	16.5	34 X 20.5
6G18N18H2S	54.0	240	3	4	129.9	3.05	22.5 X 19.5	16.5	26.5 X 20.5
3G12N48H2S	54.0	240	3	3	129.9	5.16	15 X 49.5	8.25	19 X 12.25
3G18N33H2S	54.0	240	3	3	129.9	5.39	22.5 X 34.5	8.25	26.5 X 12.25
3G24N25H2S	54.0	240	3	3	129.9	5.52	30 X 26.5	8.25	34 X 12.25
2G18N48H2S	54.0	240	3	2	129.9	7.73	22.5 X 49.5	5.5	26.5 X 9.5
12G6N25H4S	54.0	480	3	2	65.0	1.38	7.5 X 26.5	33	11.5 X 37
12G12N13H4S	54.0	480	3	2	65.0	1.51	15 X 14.5	33	19 X 37

Hi-Temp Duct - Type G

40 kW - 60 kW

Watt Density: 12

Gaumer Catalog Number	kW:	Volts:	Phase	Quantity Circuits	Total Amps	Face Area (Sq. Ft.)	Heater Duct Dim. Ht.x Lgth.(Inches)	Depth (Inches)	Heater Flange Ht.x Wdth.(Inches)
6G12N25H4S	54.0	480	3	2	65.0	2.76	15 X 26.5	16.5	19 X 20.5
6G24N13H4S	54.0	480	3	2	65.0	3.02	30 X 14.5	16.5	34 X 20.5
6G18N18H4S	54.0	480	3	2	65.0	3.05	22.5 X 19.5	16.5	26.5 X 20.5
3G12N48H4S	54.0	480	3	3	65.0	5.16	15 X 49.5	8.25	19 X 12.25
3G18N33H4S	54.0	480	3	3	65.0	5.39	22.5 X 34.5	8.25	26.5 X 12.25
3G24N25H4S	54.0	480	3	3	65.0	5.52	30 X 26.5	8.25	34 X 12.25
2G18N48H4S	54.0	480	3	2	65.0	7.73	22.5 X 49.5	5.5	26.5 X 9.5
1G36N52H4S	54.0	480	3	2	65.0	16.72	45 X 53.5	2.75	49 X 6.75
4G18N25H2S	56.0	240	3	4	134.7	4.14	22.5 X 26.5	11	26.5 X 15
1G18N88H4D	56.0	240	3	3	134.7	13.98	22.5 X 89.5	2.75	26.5 X 6.75
4G18N25H4S	56.0	480	3	2	67.4	4.14	22.5 X 26.5	11	26.5 X 15
1G18N88H4S	56.0	480	3	2	67.4	13.98	22.5 X 89.5	2.75	26.5 X 6.75
8G6N40H2S	60.0	240	3	4	144.3	2.16	7.5 X 41.5	22	11.5 X 26
8G12N20H2S	60.0	240	3	4	144.3	2.24	15 X 21.5	22	19 X 26
4G12N40H2S	60.0	240	3	6	144.3	4.32	15 X 41.5	11	19 X 15
4G24N20H2S	60.0	240	3	6	144.3	4.48	30 X 21.5	11	34 X 15
2G24N40H2S	60.0	240	3	2	144.3	8.65	30 X 41.5	5.5	34 X 9.5
8G6N40H4S	60.0	480	3	2	72.2	2.16	7.5 X 41.5	22	11.5 X 26
8G12N20H4S	60.0	480	3	2	72.2	2.24	15 X 21.5	22	19 X 26
4G12N40H4S	60.0	480	3	2	72.2	4.32	15 X 41.5	11	19 X 15
4G24N20H4S	60.0	480	3	2	72.2	4.48	30 X 21.5	11	34 X 15
2G24N40H4S	60.0	480	3	2	72.2	8.65	30 X 41.5	5.5	34 X 9.5

Hi-Temp Duct - Type G

40 kW - 60 kW

Watt Density: 8

Gaumer Catalog Number	kW:	Volts:	Phase	Quantity Circuits	Total Amps	Face Area (Sq. Ft.)	Heater Duct Dim. Ht.x Lgth.(Inches)	Depth (Inches)	Heater Flange Ht.x Wdth.(Inches)
8G6N40M2Y	40.0	240	3	2	96.2	2.16	7.5 X 41.5	22	11.5 X 26
8G12N20M2Y	40.0	240	3	2	96.2	2.24	15 X 21.5	22	19 X 26
4G12N40M2Y	40.0	240	3	2	96.2	4.32	15 X 41.5	11	19 X 15
2G12N77M2Y	40.0	240	3	2	96.2	8.18	15 X 78.5	5.5	19 X 9.5
8G6N40M4Y	40.0	480	3	1	48.1	2.16	7.5 X 41.5	22	11.5 X 26
8G12N20M4Y	40.0	480	3	1	48.1	2.24	15 X 21.5	22	19 X 26
4G12N40M4Y	40.0	480	3	1	48.1	4.32	15 X 41.5	11	19 X 15
2G12N77M4Y	40.0	480	3	1	48.1	8.18	15 X 78.5	5.5	19 X 9.5
2G18N52M4Y	40.0	480	3	1	48.1	8.36	22.5 X 53.5	5.5	26.5 X 9.5
1G24N77M4Y	40.0	480	3	1	48.1	16.35	30 X 78.5	2.75	34 X 6.75
1G36N52M4Y	40.0	480	3	1	48.1	16.72	45 X 53.5	2.75	49 X 6.75
2G12N88M4Y	44.0	480	3	2	52.9	9.32	15 X 89.5	5.5	19 X 9.5
1G24N88M4Y	45.0	480	3	2	54.1	18.65	30 X 89.5	2.75	34 X 6.75
12G6N33M2Y	48.0	240	3	4	115.5	1.80	7.5 X 34.5	33	11.5 X 37
12G12N18M2Y	48.0	240	3	4	115.5	2.03	15 X 19.5	33	19 X 37
8G6N48M2Y	48.0	240	3	4	115.5	2.58	7.5 X 49.5	22	11.5 X 26
8G12N25M2Y	48.0	240	3	4	115.5	2.76	15 X 26.5	22	19 X 26
6G12N33M2Y	48.0	240	3	4	115.5	3.59	15 X 34.5	16.5	19 X 20.5
4G12N48M2Y	48.0	240	3	4	115.5	5.16	15 X 49.5	11	19 X 15
12G6N33M4Y	48.0	480	3	2	57.7	1.80	7.5 X 34.5	33	11.5 X 37
12G12N18M4Y	48.0	480	3	2	57.7	2.03	15 X 19.5	33	19 X 37
8G6N48M4Y	48.0	480	3	2	57.7	2.58	7.5 X 49.5	22	11.5 X 26
8G12N25M4Y	48.0	480	3	2	57.7	2.76	15 X 26.5	22	19 X 26
6G12N33M4Y	48.0	480	3	2	57.7	3.59	15 X 34.5	16.5	19 X 20.5
4G12N48M4Y	48.0	480	3	2	57.7	5.16	15 X 49.5	11	19 X 15
3G12N64M2Y	51.0	240	3	3	122.7	6.82	15 X 65.5	8.25	19 X 12.25
3G12N64M4Y	51.0	480	3	3	61.3	6.82	15 X 65.5	8.25	19 X 12.25
1G36N64M4Y	51.0	480	3	2	61.3	20.47	45 X 65.5	2.75	49 X 6.75
4G12N52M2Y	52.0	240	3	4	125.1	5.57	15 X 53.5	11	19 X 15
4G12N52M4Y	52.0	480	3	2	62.5	5.57	15 X 53.5	11	19 X 15
2G18N64M4Y	52.0	480	3	2	62.5	10.23	22.5 X 65.5	5.5	26.5 X 9.5
8G6N52M2Y	52.8	240	3	4	127.0	2.79	7.5 X 53.5	22	11.5 X 26
8G6N52M4Y	52.8	480	3	2	63.5	2.79	7.5 X 53.5	22	11.5 X 26
1G48N52M4Y	53.0	480	3	2	63.8	19.51	52.5 X 53.5	2.75	56.5 X 6.75
2G24N52M4Y	54.0	480	3	2	65.0	11.15	30 X 53.5	5.5	34 X 9.5
12G6N40M2Y	60.0	240	3	4	144.3	2.16	7.5 X 41.5	33	11.5 X 37
12G12N20M2Y	60.0	240	3	4	144.3	2.24	15 X 21.5	33	19 X 37
6G12N40M2Y	60.0	240	3	6	144.3	4.32	15 X 41.5	16.5	19 X 20.5
3G12N77M2Y	60.0	240	3	3	144.3	8.18	15 X 78.5	8.25	19 X 12.25
12G6N40M4Y	60.0	480	3	2	72.2	2.16	7.5 X 41.5	33	11.5 X 37
12G12N20M4Y	60.0	480	3	2	72.2	2.24	15 X 21.5	33	19 X 37
6G12N40M4Y	60.0	480	3	2	72.2	4.32	15 X 41.5	16.5	19 X 20.5
3G12N77M4Y	60.0	480	3	3	72.2	8.18	15 X 78.5	8.25	19 X 12.25
3G18N52M4Y	60.0	480	3	3	72.2	8.36	22.5 X 53.5	8.25	26.5 X 12.25
2G18N77M4Y	60.0	480	3	2	72.2	12.27	22.5 X 78.5	5.5	26.5 X 9.5
1G36N77M4Y	60.0	480	3	2	72.2	24.53	45 X 78.5	2.75	49 X 6.75
1G54N52M4Y	60.0	480	3	2	72.2	25.08	67.5 X 53.5	2.75	71.5 X 6.75

Hi-Temp Duct - Type G

40 kW - 60 kW

Watt Density: 6

Gaumer Catalog Number	kW:	Volts:	Phase	Quantity Circuits	Total Amps	Face Area (Sq. Ft.)	Heater Duct Dim. Ht.x Lgth.(Inches)	Depth (Inches)	Heater Flange Ht.x Wdth.(Inches)
8G6N52M2S	40.0	240	3	2	96.2	2.79	7.5 X 53.5	22	11.5 X 26
4G12N52M2S	40.0	240	3	2	96.2	5.57	15 X 53.5	11	19 X 15
2G24N52M2S	40.0	240	3	2	96.2	11.15	30 X 53.5	5.5	34 X 9.5
1G48N52M2S	40.0	240	3	2	96.2	19.51	52.5 X 53.5	2.75	56.5 X 6.75
8G6N52M4S	40.0	480	3	1	48.1	2.79	7.5 X 53.5	22	11.5 X 26
4G12N52M4S	40.0	480	3	1	48.1	5.57	15 X 53.5	11	19 X 15
2G24N52M4S	40.0	480	3	1	48.1	11.15	30 X 53.5	5.5	34 X 9.5
1G48N52M4S	40.0	480	3	1	48.1	19.51	52.5 X 53.5	2.75	56.5 X 6.75
3G18N48M2S	42.0	240	3	3	101.0	7.73	22.5 X 49.5	8.25	26.5 X 12.25
3G18N48M4S	42.0	480	3	3	50.5	7.73	22.5 X 49.5	8.25	26.5 X 12.25
2G36N40M2S	44.0	240	3	2	105.9	12.97	45 X 41.5	5.5	49 X 9.5
2G36N40M4S	44.0	480	3	2	52.9	12.97	45 X 41.5	5.5	49 X 9.5
12G6N40M2S	44.4	240	3	4	106.8	2.16	7.5 X 41.5	33	11.5 X 37
12G12N20M2S	44.4	240	3	4	106.8	2.24	15 X 21.5	33	19 X 37
12G6N40M4S	44.4	480	3	2	53.4	2.16	7.5 X 41.5	33	11.5 X 37
12G12N20M4S	44.4	480	3	2	53.4	2.24	15 X 21.5	33	19 X 37
4G18N40M2S	44.8	240	3	4	107.8	6.48	22.5 X 41.5	11	26.5 X 15
4G18N40M4S	44.8	480	3	2	53.9	6.48	22.5 X 41.5	11	26.5 X 15
6G12N40M2S	45.0	240	3	4	108.3	4.32	15 X 41.5	16.5	19 X 20.5
3G12N77M2S	45.0	240	3	3	108.3	8.18	15 X 78.5	8.25	19 X 12.25
3G18N52M2S	45.0	240	3	3	108.3	8.36	22.5 X 53.5	8.25	26.5 X 12.25
3G24N40M2S	45.0	240	3	3	108.3	8.65	30 X 41.5	8.25	34 X 12.25
1G36N77M2S	45.0	240	3	3	108.3	24.53	45 X 78.5	2.75	49 X 6.75
1G60N48M2S	45.0	240	3	4	108.3	25.78	75 X 49.5	2.75	79 X 6.75
6G12N40M4S	45.0	480	3	2	54.1	4.32	15 X 41.5	16.5	19 X 20.5
3G12N77M4S	45.0	480	3	3	54.1	8.18	15 X 78.5	8.25	19 X 12.25
3G18N52M4S	45.0	480	3	3	54.1	8.36	22.5 X 53.5	8.25	26.5 X 12.25
3G24N40M4S	45.0	480	3	3	54.1	8.65	30 X 41.5	8.25	34 X 12.25
1G36N77M4S	45.0	480	3	2	54.1	24.53	45 X 78.5	2.75	49 X 6.75
1G72N40M2S	45.0	480	3	2	54.1	25.00	90 X 40	2.75	94 X 6.75
1G60N48M4S	45.0	480	3	2	54.1	25.78	75 X 49.5	2.75	79 X 6.75
1G72N40M4S	45.0	480	3	2	54.1	25.94	90 X 41.5	2.75	94 X 6.75
2G18N77M2S	46.0	240	3	2	110.7	12.27	22.5 X 78.5	5.5	26.5 X 9.5
2G18N77M4S	46.0	480	3	2	55.3	12.27	22.5 X 78.5	5.5	26.5 X 9.5
8G12N33M2S	48.0	240	3	4	115.5	3.59	15 X 34.5	22	19 X 26
4G24N33M2S	48.0	240	3	4	115.5	7.19	30 X 34.5	11	34 X 15
2G48N33M2S	48.0	240	3	2	115.5	12.58	52.5 X 34.5	5.5	56.5 X 9.5
8G12N33M4S	48.0	480	3	2	57.7	3.59	15 X 34.5	22	19 X 26
4G24N33M4S	48.0	480	3	2	57.7	7.19	30 X 34.5	11	34 X 15
2G48N33M4S	48.0	480	3	2	57.7	12.58	52.5 X 34.5	5.5	56.5 X 9.5
8G6N64M2S	49.6	240	3	4	119.3	3.41	7.5 X 65.5	22	11.5 X 26
8G6N64M4S	49.6	480	3	2	59.7	3.41	7.5 X 65.5	22	11.5 X 26
2G24N64M2S	50.0	240	3	2	120.3	13.65	30 X 65.5	5.5	34 X 9.5
1G60N52M2S	50.0	240	3	4	120.3	27.86	75 X 53.5	2.75	79 X 6.75
2G24N64M4S	50.0	480	3	2	60.1	13.65	30 X 65.5	5.5	34 X 9.5
2G18N88M4S	50.0	480	3	2	60.1	13.98	22.5 X 89.5	5.5	26.5 X 9.5
1G60N52M4S	50.0	480	3	2	60.1	27.86	75 X 53.5	2.75	79 X 6.75

Hi-Temp Duct - Type G

40 kW - 60 kW

Watt Density: 6

Gaumer Catalog Number	kW:	Volts:	Phase	Quantity Circuits	Total Amps	Face Area (Sq. Ft.)	Heater Duct Dim. Ht.x Lgth.(Inches)	Depth (Inches)	Heater Flange Ht.x Wdth.(Inches)
1G36N88M4S	50.0	480	3	2	60.1	27.97	45 X 89.5	2.75	49 X 6.75
1G48N64M2S	51.0	240	3	4	122.7	23.88	52.5 X 65.5	2.75	56.5 X 6.75
3G12N88M4S	51.0	480	3	3	61.3	9.32	15 X 89.5	8.25	19 X 12.25
1G48N64M4S	51.0	480	3	2	61.3	23.88	52.5 X 65.5	2.75	56.5 X 6.75
4G12N64M2S	52.0	240	3	4	125.1	6.82	15 X 65.5	11	19 X 15
4G12N64M4S	52.0	480	3	2	62.5	6.82	15 X 65.5	11	19 X 15
12G6N48M2S	54.0	240	3	4	129.9	2.58	7.5 X 49.5	33	11.5 X 37
12G12N25M2S	54.0	240	3	4	129.9	2.76	15 X 26.5	33	19 X 37
6G12N48M2S	54.0	240	3	4	129.9	5.16	15 X 49.5	16.5	19 X 20.5
6G18N33M2S	54.0	240	3	4	129.9	5.39	22.5 X 34.5	16.5	26.5 X 20.5
3G24N48M2S	54.0	240	3	3	129.9	10.31	30 X 49.5	8.25	34 X 12.25
3G36N33M2S	54.0	240	3	3	129.9	10.78	45 X 34.5	8.25	49 X 12.25
2G36N48M2S	54.0	240	3	2	129.9	15.47	45 X 49.5	5.5	49 X 9.5
12G6N48M4S	54.0	480	3	2	65.0	2.58	7.5 X 49.5	33	11.5 X 37
12G12N25M4S	54.0	480	3	2	65.0	2.76	15 X 26.5	33	19 X 37
6G12N48M4S	54.0	480	3	2	65.0	5.16	15 X 49.5	16.5	19 X 20.5
6G18N33M4S	54.0	480	3	2	65.0	5.39	22.5 X 34.5	16.5	26.5 X 20.5
3G24N48M4S	54.0	480	3	3	65.0	10.31	30 X 49.5	8.25	34 X 12.25
3G36N33M4S	54.0	480	3	3	65.0	10.78	45 X 34.5	8.25	49 X 12.25
2G36N48M4S	54.0	480	3	2	65.0	15.47	45 X 49.5	5.5	49 X 9.5
1G72N48M2S	54.0	480	3	2	65.0	30.00	90 X 48	2.75	94 X 6.75
1G72N48M4S	54.0	480	3	2	65.0	30.94	90 X 49.5	2.75	94 X 6.75
4G18N48M2S	56.0	240	3	4	134.7	7.73	22.5 X 49.5	11	26.5 X 15
4G18N48M4S	56.0	480	3	2	67.4	7.73	22.5 X 49.5	11	26.5 X 15
3G18N64M2S	57.0	240	3	3	137.1	10.23	22.5 X 65.5	8.25	26.5 X 12.25
3G18N64M4S	57.0	480	3	3	68.6	10.23	22.5 X 65.5	8.25	26.5 X 12.25
12G6N52M2S	60.0	240	3	4	144.3	2.79	7.5 X 53.5	33	11.5 X 37
8G6N77M2S	60.0	240	3	4	144.3	4.09	7.5 X 78.5	22	11.5 X 26
8G12N40M2S	60.0	240	3	4	144.3	4.32	15 X 41.5	22	19 X 26
6G12N52M2S	60.0	240	3	6	144.3	5.57	15 X 53.5	16.5	19 X 20.5
4G12N77M2S	60.0	240	3	6	144.3	8.18	15 X 78.5	11	19 X 15
4G18N52M2S	60.0	240	3	6	144.3	8.36	22.5 X 53.5	11	26.5 X 15
4G24N40M2S	60.0	240	3	6	144.3	8.65	30 X 41.5	11	34 X 15
3G24N52M2S	60.0	240	3	3	144.3	11.15	30 X 53.5	8.25	34 X 12.25
2G48N40M2S	60.0	240	3	2	144.3	15.13	52.5 X 41.5	5.5	56.5 X 9.5
2G24N77M2S	60.0	240	3	2	144.3	16.35	30 X 78.5	5.5	34 X 9.5
2G36N52M2S	60.0	240	3	2	144.3	16.72	45 X 53.5	5.5	49 X 9.5
2G60N33M2S	60.0	240	3	2	144.3	17.97	75 X 34.5	5.5	79 X 9.5
1G48N77M2S	60.0	240	3	4	144.3	28.62	52.5 X 78.5	2.75	56.5 X 6.75
12G6N52M4S	60.0	480	3	2	72.2	2.79	7.5 X 53.5	33	11.5 X 37
8G6N77M4S	60.0	480	3	2	72.2	4.09	7.5 X 78.5	22	11.5 X 26
8G12N40M4S	60.0	480	3	2	72.2	4.32	15 X 41.5	22	19 X 26
6G12N52M4S	60.0	480	3	2	72.2	5.57	15 X 53.5	16.5	19 X 20.5
4G12N77M4S	60.0	480	3	2	72.2	8.18	15 X 78.5	11	19 X 15
4G18N52M4S	60.0	480	3	2	72.2	8.36	22.5 X 53.5	11	26.5 X 15
4G24N40M4S	60.0	480	3	2	72.2	8.65	30 X 41.5	11	34 X 15
3G24N52M4S	60.0	480	3	3	72.2	11.15	30 X 53.5	8.25	34 X 12.25

Hi-Temp Duct - Type G

40 kW - 60 kW

Watt Density: 6

Gaumer Catalog Number	kW:	Volts:	Phase	Quantity Circuits	Total Amps	Face Area (Sq. Ft.)	Heater Duct Dim. Ht.x Lgth.(Inches)	Depth (Inches)	Heater Flange Ht.x Wdth.(Inches)
2G48N40M4S	60.0	480	3	2	72.2	15.13	52.5 X 41.5	5.5	56.5 X 9.5
2G24N77M4S	60.0	480	3	2	72.2	16.35	30 X 78.5	5.5	34 X 9.5
2G36N52M4S	60.0	480	3	2	72.2	16.72	45 X 53.5	5.5	49 X 9.5
2G60N33M4S	60.0	480	3	2	72.2	17.97	75 X 34.5	5.5	79 X 9.5
1G48N77M4S	60.0	480	3	2	72.2	28.62	52.5 X 78.5	2.75	56.5 X 6.75
1G72N52M2S	60.0	480	3	2	72.2	32.50	90 X 52	2.75	94 X 6.75
1G72N52M4S	60.0	480	3	2	72.2	33.44	90 X 53.5	2.75	94 X 6.75

Hi-Temp Duct - Type G

40 kW - 60 kW

Watt Density: 4

Gaumer Catalog Number	kW:	Volts:	Phase	Quantity Circuits	Total Amps	Face Area (Sq. Ft.)	Heater Duct Dim. Ht.x Lgth.(Inches)	Depth (Inches)	Heater Flange Ht.x Wdth.(Inches)
8G12N40H4SY	40.0	480	3	1	48.1	4.32	15 X 41.5	22	19 X 26
8G24N20H4SY	40.0	480	3	1	48.1	4.48	30 X 21.5	22	34 X 26
4G24N40H4SY	40.0	480	3	1	48.1	8.65	30 X 41.5	11	34 X 15
1G60N61H4SY	42.0	480	3	2	50.5	32.55	75 X 62.5	2.75	79 X 6.75
2G24N78H4SY	44.0	480	3	2	52.9	16.56	30 X 79.5	5.5	34 X 9.5
1G48N78H4SY	44.0	480	3	2	52.9	28.98	52.5 X 79.5	2.75	56.5 X 6.75
4G12N78H4SY	44.4	480	3	2	53.4	8.28	15 X 79.5	11	19 X 15
8G6N78H4SY	44.8	480	3	2	53.9	4.14	7.5 X 79.5	22	11.5 X 26
6G18N40H4SY	45.0	480	3	2	54.1	6.48	22.5 X 41.5	16.5	26.5 X 20.5
12G18N20H4SY	45.6	480	3	2	54.8	3.36	22.5 X 21.5	33	26.5 X 37
12G12N33H4SY	48.0	480	3	2	57.7	3.59	15 X 34.5	33	19 X 37
12G24N18H4SY	48.0	480	3	2	57.7	4.06	30 X 19.5	33	34 X 37
8G12N48H4SY	48.0	480	3	2	57.7	5.16	15 X 49.5	22	19 X 26
8G18N33H4SY	48.0	480	3	2	57.7	5.39	22.5 X 34.5	22	26.5 X 26
8G24N25H4SY	48.0	480	3	2	57.7	5.52	30 X 26.5	22	34 X 26
6G24N33H4SY	48.0	480	3	2	57.7	7.19	30 X 34.5	16.5	34 X 20.5
4G24N48H4SY	48.0	480	3	2	57.7	10.31	30 X 49.5	11	34 X 15
2G48N52H4SY	48.0	480	3	2	57.7	19.51	52.5 X 53.5	5.5	56.5 X 9.5
6G12N61H4SY	49.8	480	3	2	59.9	6.51	15 X 62.5	16.5	19 X 20.5
2G24N88H4SY	50.0	480	3	2	60.1	18.65	30 X 89.5	5.5	34 X 9.5
1G54N78H4SY	50.0	480	3	2	60.1	37.27	67.5 X 79.5	2.75	71.5 X 6.75
1G72N61H4SY	50.0	480	3	2	60.1	39.06	90 X 62.5	2.75	94 X 6.75
12G6N61H4SY	50.4	480	3	2	60.6	3.26	7.5 X 62.5	33	11.5 X 37
8G6N88H4SY	50.4	480	3	2	60.6	4.66	7.5 X 89.5	22	11.5 X 26
3G18N78H4SY	51.0	480	3	3	61.3	12.42	22.5 X 79.5	8.25	26.5 X 12.25
3G24N61H4SY	51.0	480	3	3	61.3	13.02	30 X 62.5	8.25	34 X 12.25
4G18N61H4SY	52.0	480	3	2	62.5	3.05	22.5 X 19.5	11	26.5 X 15
12G18N25H4SY	54.0	480	3	2	65.0	4.14	22.5 X 26.5	33	26.5 X 37
6G18N48H4SY	54.0	480	3	2	65.0	7.73	22.5 X 49.5	16.5	26.5 X 20.5
2G54N52H4SY	54.0	480	3	2	65.0	25.08	67.5 X 53.5	5.5	71.5 X 9.5
1G48N88H4SY	54.0	480	3	2	65.0	32.63	52.5 X 89.5	2.75	56.5 X 6.75
1G60N78H4SY	56.0	480	3	2	67.4	41.41	75 X 79.5	2.75	79 X 6.75
1G54N88H4SY	56.0	480	3	2	67.4	41.95	67.5 X 89.5	2.75	71.5 X 6.75
3G18N88H4SY	57.0	480	3	3	68.6	13.98	22.5 X 89.5	8.25	26.5 X 12.25
12G12N40H4SY	60.0	480	3	2	72.2	4.32	15 X 41.5	33	19 X 37
12G24N20H4SY	60.0	480	3	2	72.2	4.48	30 X 21.5	33	34 X 37
8G18N40H4SY	60.0	480	3	2	72.2	6.48	22.5 X 41.5	22	26.5 X 26
6G24N40H4SY	60.0	480	3	2	72.2	8.65	30 X 41.5	16.5	34 X 20.5
2G60N52H4SY	60.0	480	3	2	72.2	27.86	75 X 53.5	5.5	79 X 9.5

GAUMER PROCESS

HEATERS
SYSTEMS
CONTROLS

APPLICATIONS

The Gaumer Electric Process Type G Duct Heater is designed for rugged duty where air must be heated to temperatures higher than what would be normal for comfort heating. Temperatures as high as 1100° F are possible if the heater is properly selected. Contact Gaumer Process for assistance in selecting Type G Duct Heaters.

HEATER SELECTION

One (1G-----) Row Coil

For heating large quantities of re-circulated air thru a very small temperature rise (to 20 degrees) resulting in a low pressure drop and low heater face velocity (300-1000 fpm).

Two (2G-----) or Three (3G-----) Row Coil

For heating large quantities of re-circulated air thru a temperature rise (10 to 50 degrees) resulting in a normal pressure drop and average heater face velocity(500-2000 fpm).

Three (3G-----) or Four (4G-----) Row Coil

For average quantities of air thru a normal temperature rise (50-100 degrees) resulting in a low pressure drop and low heater face velocity (500-2000 fpm).

Six(6G--), Eight(8G--), or Twelve(12G---) Row Coil

For average quantities of air thru a higher than normal temperature rise (100-600 degrees).

SPECIAL FEATURES

- INS Insulated Section on Element Side of Flange
- SPT Flange Attached Spacer Assembly
- SS Stainless Steel Flange
- W Wattage Other Than Cataloged
- V Voltage Other Than Cataloged
- ER Explosion Resistant Construction
- LT Weatherproof Construction
- J(K) Additional Sheath Sensing Thermocouple for Overheat Protection
- HTR Space Heater Mounted in Terminal Enclosure
- X Special Feature not Listed Above

Hi-Temp Duct - Type G

60 kW - 80 kW



STANDARD FEATURES

Heating Elements

- Incoloy 800 Sheath Material
- Heavy Wall (.035 in.)
- Large Diameter (.475 in.)
- Sealed Terminals

Standard Features

- High Temp Alloy Spacers
- Gaumer "Evenflow" Configuration
- Type K TC for Overheat Protection
- Insulated Terminal Section

Construction

- Welded Heating Elements
- Welded Spacers

Installation

- Flying Leadwires Provided
- Only Standard Materials Needed in Field

Service

- Wiring Modifiable in Field
- Assembly Repairable at Factory

Hi-Temp Duct - Type G

60 kW - 80 kW

Watt Density: 23

Gaumer Catalog Number	kW:	Volts:	Phase	Quantity Circuits	Total Amps	Face Area (Sq. Ft.)	Heater Duct Dim. Ht.x Lgth.(Inches)	Depth (Inches)	Heater Flange Ht.x Wdth.(Inches)
8G6N20M2	60.0	240	3	4	144.3	1.12	7.5 X 21.5	22	11.5 X 26
4G6N40M2	60.0	240	3	6	144.3	2.16	7.5 X 41.5	11	11.5 X 15
4G12N20M2	60.0	240	3	6	144.3	2.24	15 X 21.5	11	19 X 15
2G12N40M2	60.0	240	3	2	144.3	4.32	15 X 41.5	5.5	19 X 9.5
2G24N20M2	60.0	240	3	2	144.3	4.48	30 X 21.5	5.5	34 X 9.5
1G12N77M2	60.0	240	3	4	144.3	8.18	15 X 78.5	2.75	19 X 6.75
1G18N52M2	60.0	240	3	3	144.3	8.36	22.5 X 53.5	2.75	26.5 X 6.75
1G24N40M2	60.0	240	3	4	144.3	8.65	30 X 41.5	2.75	34 X 6.75
8G6N20M4	60.0	480	3	2	72.2	1.12	7.5 X 21.5	22	11.5 X 26
4G6N40M4	60.0	480	3	2	72.2	2.16	7.5 X 41.5	11	11.5 X 15
4G12N20M4	60.0	480	3	2	72.2	2.24	15 X 21.5	11	19 X 15
2G12N40M4	60.0	480	3	2	72.2	4.32	15 X 41.5	5.5	19 X 9.5
2G24N20M4	60.0	480	3	2	72.2	4.48	30 X 21.5	5.5	34 X 9.5
1G48N20M4	60.0	480	3	2	72.2	7.84	52.5 X 21.5	2.75	56.5 X 6.75
1G12N77M4	60.0	480	3	2	72.2	8.18	15 X 78.5	2.75	19 X 6.75
1G18N52M4	60.0	480	3	2	72.2	8.36	22.5 X 53.5	2.75	26.5 X 6.75
1G24N40M4	60.0	480	3	2	72.2	8.65	30 X 41.5	2.75	34 X 6.75
1G12N88M4	67.0	480	3	2	80.6	9.32	15 X 89.5	2.75	19 X 6.75
3G18N20M2	69.0	240	3	3	166.0	3.36	22.5 X 21.5	8.25	26.5 X 12.25
3G18N20M4	69.0	480	3	3	83.0	3.36	22.5 X 21.5	8.25	26.5 X 12.25
12G6N18M2	72.0	240	3	4	173.2	1.02	7.5 X 19.5	33	11.5 X 37
8G6N25M2	72.0	240	3	4	173.2	1.38	7.5 X 26.5	22	11.5 X 26
6G6N33M2	72.0	240	3	6	173.2	1.80	7.5 X 34.5	16.5	11.5 X 20.5
6G12N18M2	72.0	240	3	6	173.2	2.03	15 X 19.5	16.5	19 X 20.5
4G12N25M2	72.0	240	3	6	173.2	2.76	15 X 26.5	11	19 X 15
4G18N18M2	72.0	240	3	6	173.2	3.05	22.5 X 19.5	11	26.5 X 15
3G12N33M2	72.0	240	3	3	173.2	3.59	15 X 34.5	8.25	19 X 12.25
3G24N18M2	72.0	240	3	3	173.2	4.06	30 X 19.5	8.25	34 X 12.25
2G12N48M2	72.0	240	3	2	173.2	5.16	15 X 49.5	5.5	19 X 9.5
2G18N33M2	72.0	240	3	2	173.2	5.39	22.5 X 34.5	5.5	26.5 X 9.5
2G24N25M2	72.0	240	3	2	173.2	5.52	30 X 26.5	5.5	34 X 9.5
1G24N48M2	72.0	240	3	4	173.2	10.31	30 X 49.5	2.75	34 X 6.75
12G6N18M4	72.0	480	3	2	86.6	1.02	7.5 X 19.5	33	11.5 X 37
8G6N25M4	72.0	480	3	2	86.6	1.38	7.5 X 26.5	22	11.5 X 26
6G6N33M4	72.0	480	3	2	86.6	1.80	7.5 X 34.5	16.5	11.5 X 20.5
6G12N18M4	72.0	480	3	2	86.6	2.03	15 X 19.5	16.5	19 X 20.5
4G12N25M4	72.0	480	3	2	86.6	2.76	15 X 26.5	11	19 X 15
4G18N18M4	72.0	480	3	2	86.6	3.05	22.5 X 19.5	11	26.5 X 15
3G12N33M4	72.0	480	3	3	86.6	3.59	15 X 34.5	8.25	19 X 12.25
3G24N18M4	72.0	480	3	3	86.6	4.06	30 X 19.5	8.25	34 X 12.25
2G12N48M4	72.0	480	3	2	86.6	5.16	15 X 49.5	5.5	19 X 9.5
2G18N33M4	72.0	480	3	2	86.6	5.39	22.5 X 34.5	5.5	26.5 X 9.5
2G24N25M4	72.0	480	3	2	86.6	5.52	30 X 26.5	5.5	34 X 9.5
2G36N18M4	72.0	480	3	2	86.6	5.63	45 X 18	5.5	49 X 9.5
1G48N25M4	72.0	480	3	2	86.6	9.66	52.5 X 26.5	2.75	56.5 X 6.75
1G24N48M4	72.0	480	3	2	86.6	10.31	30 X 49.5	2.75	34 X 6.75
1G36N33M4	72.0	480	3	2	86.6	10.78	45 X 34.5	2.75	49 X 6.75

Hi-Temp Duct - Type G

60 kW - 80 kW

Watt Density: 23

Gaumer Catalog Number	kW:	Volts:	Phase	Quantity Circuits	Total Amps	Face Area (Sq. Ft.)	Heater Duct Dim. Ht.x Lgth.(Inches)	Depth (Inches)	Heater Flange Ht.x Wdth.(Inches)
1G18N64M2	77.0	240	3	6	185.2	10.23	22.5 X 65.5	2.75	26.5 X 6.75
1G18N64M4	77.0	480	3	2	92.6	10.23	22.5 X 65.5	2.75	26.5 X 6.75
2G12N52M2	80.0	240	3	2	192.5	5.57	15 X 53.5	5.5	19 X 9.5
1G24N52M2	80.0	240	3	4	192.5	11.15	30 X 53.5	2.75	34 X 6.75
2G12N52M4	80.0	480	3	2	96.2	5.57	15 X 53.5	5.5	19 X 9.5
1G24N52M4	80.0	480	3	2	96.2	11.15	30 X 53.5	2.75	34 X 6.75

Hi-Temp Duct - Type G

60 kW - 80 kW

Watt Density: 20

Gaumer Catalog Number	kW:	Volts:	Phase	Quantity Circuits	Total Amps	Face Area (Sq. Ft.)	Heater Duct Dim. Ht.x Lgth.(Inches)	Depth (Inches)	Heater Flange Ht.x Wdth.(Inches)
6G6N33B2Y	60.0	240	3	6	144.3	1.80	7.5 X 34.5	16.5	11.5 X 20.5
3G12N33B2Y	60.0	240	3	3	144.3	3.59	15 X 34.5	8.25	19 X 12.25
2G18N33B2Y	60.0	240	3	2	144.3	5.39	22.5 X 34.5	5.5	26.5 X 9.5
1G18N61B2Y	60.0	240	3	3	144.3	9.77	22.5 X 62.5	2.75	26.5 X 6.75
6G6N33B4Y	60.0	480	3	2	72.2	1.80	7.5 X 34.5	16.5	11.5 X 20.5
3G12N33B4Y	60.0	480	3	3	72.2	3.59	15 X 34.5	8.25	19 X 12.25
2G18N33B4Y	60.0	480	3	2	72.2	5.39	22.5 X 34.5	5.5	26.5 X 9.5
1G18N61B4Y	60.0	480	3	2	72.2	9.77	22.5 X 62.5	2.75	26.5 X 6.75
1G36N33B4Y	60.0	480	3	2	72.2	10.78	45 X 34.5	2.75	49 X 6.75
3G24N18B2Y	63.0	240	3	3	151.6	4.06	30 X 19.5	8.25	34 X 12.25
3G24N18B4Y	63.0	480	3	3	75.8	4.06	30 X 19.5	8.25	34 X 12.25
12G6N18B2Y	63.6	240	3	4	153.0	1.02	7.5 X 19.5	33	11.5 X 37
12G6N18B4Y	63.6	480	3	2	76.5	1.02	7.5 X 19.5	33	11.5 X 37
8G6N25B2Y	64.0	240	3	4	154.0	1.38	7.5 X 26.5	22	11.5 X 26
4G12N25B2Y	64.0	240	3	6	154.0	2.76	15 X 26.5	11	19 X 15
4G18N18B2Y	64.0	240	3	6	154.0	3.05	22.5 X 19.5	11	26.5 X 15
2G24N25B2Y	64.0	240	3	2	154.0	5.52	30 X 26.5	5.5	34 X 9.5
8G6N25B4Y	64.0	480	3	2	77.0	1.38	7.5 X 26.5	22	11.5 X 26
4G12N25B4Y	64.0	480	3	2	77.0	2.76	15 X 26.5	11	19 X 15
4G18N18B4Y	64.0	480	3	2	77.0	3.05	22.5 X 19.5	11	26.5 X 15
2G24N25B4Y	64.0	480	3	2	77.0	5.52	30 X 26.5	5.5	34 X 9.5
6G12N18B2Y	64.2	240	3	6	154.4	2.03	15 X 19.5	16.5	19 X 20.5
6G12N18B4Y	64.2	480	3	2	77.2	2.03	15 X 19.5	16.5	19 X 20.5
2G12N52B2Y	66.0	240	3	2	158.8	5.57	15 X 53.5	5.5	19 X 9.5
2G12N52B4Y	66.0	480	3	2	79.4	5.57	15 X 53.5	5.5	19 X 9.5
1G24N52B2Y	67.0	240	3	4	161.2	11.15	30 X 53.5	2.75	34 X 6.75
1G24N52B4Y	67.0	480	3	2	80.6	11.15	30 X 53.5	2.75	34 X 6.75
1G30N43B4Y	67.0	480	3	2	80.6	11.59	37.5 X 44.5	2.75	41.5 X 6.75
4G18N20B2Y	68.0	240	3	6	163.6	3.36	22.5 X 21.5	11	26.5 X 15
4G18N20B4Y	68.0	480	3	2	81.8	3.36	22.5 X 21.5	11	26.5 X 15
3G24N20B2Y	69.0	240	3	3	166.0	4.48	30 X 21.5	8.25	34 X 12.25
3G24N20B4Y	69.0	480	3	3	83.0	4.48	30 X 21.5	8.25	34 X 12.25
12G6N20B2Y	69.6	240	3	4	167.4	1.12	7.5 X 21.5	33	11.5 X 37
6G12N20B2Y	69.6	240	3	6	167.4	2.24	15 X 21.5	16.5	19 X 20.5
12G6N20B4Y	69.6	480	3	2	83.7	1.12	7.5 X 21.5	33	11.5 X 37
6G12N20B4Y	69.6	480	3	2	83.7	2.24	15 X 21.5	16.5	19 X 20.5
3G18N25B2Y	72.0	240	3	3	173.2	4.14	22.5 X 26.5	8.25	26.5 X 12.25
3G18N25B4Y	72.0	480	3	3	86.6	4.14	22.5 X 26.5	8.25	26.5 X 12.25
6G6N43B2Y	78.0	240	3	6	187.6	2.32	7.5 X 44.5	16.5	11.5 X 20.5
6G6N43B4Y	78.0	480	3	2	93.8	2.32	7.5 X 44.5	16.5	11.5 X 20.5
8G6N33B2Y	80.0	240	3	2	192.5	1.80	7.5 X 34.5	22	11.5 X 26
4G12N33B2Y	80.0	240	3	6	192.5	3.59	15 X 34.5	11	19 X 15
2G12N61B2Y	80.0	240	3	2	192.5	6.51	15 X 62.5	5.5	19 X 9.5
2G18N43B2Y	80.0	240	3	2	192.5	6.95	22.5 X 44.5	5.5	26.5 X 9.5
2G24N33B2Y	80.0	240	3	2	192.5	7.19	30 X 34.5	5.5	34 X 9.5
1G24N61B2Y	80.0	240	3	4	192.5	13.02	30 X 62.5	2.75	34 X 6.75
8G6N33B4Y	80.0	480	3	2	96.2	1.80	7.5 X 34.5	22	11.5 X 26

Hi-Temp Duct - Type G

60 kW - 80 kW

Watt Density: 20

Gaumer Catalog Number	kW:	Volts:	Phase	Quantity Circuits	Total Amps	Face Area (Sq. Ft.)	Heater Duct Dim. Ht.x Lgth.(Inches)	Depth (Inches)	Heater Flange Ht.x Wdth.(Inches)
4G12N33B4Y	80.0	480	3	2	96.2	3.59	15 X 34.5	11	19 X 15
2G12N61B4Y	80.0	480	3	2	96.2	6.51	15 X 62.5	5.5	19 X 9.5
2G18N43B4Y	80.0	480	3	2	96.2	6.95	22.5 X 44.5	5.5	26.5 X 9.5
2G24N33B4Y	80.0	480	3	2	96.2	7.19	30 X 34.5	5.5	34 X 9.5
1G48N33B4Y	80.0	480	3	2	96.2	12.58	52.5 X 34.5	2.75	56.5 X 6.75
1G24N61B4Y	80.0	480	3	2	96.2	13.02	30 X 62.5	2.75	34 X 6.75
1G36N43B4Y	80.0	480	3	2	96.2	13.91	45 X 44.5	2.75	49 X 6.75

Hi-Temp Duct - Type G

60 kW - 80 kW

Watt Density: 15

Gaumer Catalog Number	kW:	Volts:	Phase	Quantity Circuits	Total Amps	Face Area (Sq. Ft.)	Heater Duct Dim. Ht.x Lgth.(Inches)	Depth (Inches)	Heater Flange Ht.x Wdth.(Inches)
12G6N20H2Y	60.0	240	3	4	144.3	1.12	7.5 X 21.5	33	11.5 X 37
8G6N33B2S	60.0	240	3	4	144.3	1.80	7.5 X 34.5	22	11.5 X 26
6G6N40H2Y	60.0	240	3	6	144.3	2.16	7.5 X 41.5	16.5	11.5 X 20.5
6G12N20H2Y	60.0	240	3	6	144.3	2.24	15 X 21.5	16.5	19 X 20.5
6G6N43B2S	60.0	240	3	6	144.3	2.32	7.5 X 44.5	16.5	11.5 X 20.5
4G18N20H2Y	60.0	240	3	6	144.3	3.36	22.5 X 21.5	11	26.5 X 15
4G12N33B2S	60.0	240	3	6	144.3	3.59	15 X 34.5	11	19 X 15
3G12N40H2Y	60.0	240	3	3	144.3	4.32	15 X 41.5	8.25	19 X 12.25
3G24N20H2Y	60.0	240	3	3	144.3	4.48	30 X 21.5	8.25	34 X 12.25
3G12N43B2S	60.0	240	3	3	144.3	4.64	15 X 44.5	8.25	19 X 12.25
2G18N40H2Y	60.0	240	3	2	144.3	6.48	22.5 X 41.5	5.5	26.5 X 9.5
2G12N61B2S	60.0	240	3	2	144.3	6.51	15 X 62.5	5.5	19 X 9.5
2G18N43B2S	60.0	240	3	3	144.3	6.95	22.5 X 44.5	5.5	26.5 X 9.5
2G24N33B2S	60.0	240	3	2	144.3	7.19	30 X 34.5	5.5	34 X 9.5
1G24N61B2S	60.0	240	3	4	144.3	13.02	30 X 62.5	2.75	34 X 6.75
12G6N20H4Y	60.0	480	3	2	72.2	1.12	7.5 X 21.5	33	11.5 X 37
8G6N33B4S	60.0	480	3	2	72.2	1.80	7.5 X 34.5	22	11.5 X 26
6G6N40H4Y	60.0	480	3	2	72.2	2.16	7.5 X 41.5	16.5	11.5 X 20.5
6G12N20H4Y	60.0	480	3	2	72.2	2.24	15 X 21.5	16.5	19 X 20.5
6G6N43B4S	60.0	480	3	2	72.2	2.32	7.5 X 44.5	16.5	11.5 X 20.5
4G18N20H4Y	60.0	480	3	2	72.2	3.36	22.5 X 21.5	11	26.5 X 15
4G12N33B4S	60.0	480	3	2	72.2	3.59	15 X 34.5	11	19 X 15
3G12N40H4Y	60.0	480	3	3	72.2	4.32	15 X 41.5	8.25	19 X 12.25
3G24N20H4Y	60.0	480	3	3	72.2	4.48	30 X 21.5	8.25	34 X 12.25
3G12N43B4S	60.0	480	3	3	72.2	4.64	15 X 44.5	8.25	19 X 12.25
2G18N40H4Y	60.0	480	3	2	72.2	6.48	22.5 X 41.5	5.5	26.5 X 9.5
2G12N61B4S	60.0	480	3	2	72.2	6.51	15 X 62.5	5.5	19 X 9.5
2G18N43B4S	60.0	480	3	2	72.2	6.95	22.5 X 44.5	5.5	26.5 X 9.5
2G24N33B4S	60.0	480	3	2	72.2	7.19	30 X 34.5	5.5	34 X 9.5
1G48N33B4S	60.0	480	3	2	72.2	12.58	52.5 X 34.5	2.75	56.5 X 6.75
1G36N40H4Y	60.0	480	3	2	72.2	12.97	45 X 41.5	2.75	49 X 6.75
1G24N61B4S	60.0	480	3	2	72.2	13.02	30 X 62.5	2.75	34 X 6.75
1G36N43B4S	60.0	480	3	2	72.2	13.91	45 X 44.5	2.75	49 X 6.75
1G30N52B4S	63.0	480	3	2	75.8	13.93	37.5 X 53.5	2.75	41.5 X 6.75
8G6N33H2Y	64.0	240	3	4	154.0	1.80	7.5 X 34.5	22	11.5 X 26
8G12N18H2Y	64.0	240	3	4	154.0	2.03	15 X 19.5	22	19 X 26
8G12N18B2S	64.0	240	3	4	154.0	2.03	15 X 19.5	22	19 X 26
4G12N33H2Y	64.0	240	3	6	154.0	3.59	15 X 34.5	11	19 X 15
4G24N18B2S	64.0	240	3	6	154.0	4.06	30 X 19.5	11	34 X 15
4G24N18H2Y	64.0	240	3	6	154.0	4.06	30 X 19.5	11	34 X 15
2G24N33H2Y	64.0	240	3	2	154.0	7.19	30 X 34.5	5.5	34 X 9.5
8G6N33H4Y	64.0	480	3	2	77.0	1.80	7.5 X 34.5	22	11.5 X 26
8G12N18B4S	64.0	480	3	2	77.0	2.03	15 X 19.5	22	19 X 26
8G12N18H4Y	64.0	480	3	2	77.0	2.03	15 X 19.5	22	19 X 26
4G12N33H4Y	64.0	480	3	2	77.0	3.59	15 X 34.5	11	19 X 15
4G24N18B4S	64.0	480	3	2	77.0	4.06	30 X 19.5	11	34 X 15
4G24N18H4Y	64.0	480	3	2	77.0	4.06	30 X 19.5	11	34 X 15

Hi-Temp Duct - Type G

60 kW - 80 kW

Watt Density: 15

Gaumer Catalog Number	kW:	Volts:	Phase	Quantity Circuits	Total Amps	Face Area (Sq. Ft.)	Heater Duct Dim. Ht.x Lgth.(Inches)	Depth (Inches)	Heater Flange Ht.x Wdth.(Inches)
2G24N33H4Y	64.0	480	3	2	77.0	7.19	30 X 34.5	5.5	34 X 9.5
1G48N33H4Y	64.0	480	3	2	77.0	12.58	52.5 X 34.5	2.75	56.5 X 6.75
2G12N61H2Y	66.0	240	3	2	158.8	6.51	15 X 62.5	5.5	19 X 9.5
2G12N61H4Y	66.0	480	3	2	79.4	6.51	15 X 62.5	5.5	19 X 9.5
1G18N78B2S	67.0	240	3	6	161.2	12.19	22.5 X 78	2.75	26.5 X 6.75
1G24N61H2Y	67.0	240	3	4	161.2	13.02	30 X 62.5	2.75	34 X 6.75
1G18N78H4Y	67.0	480	3	2	80.6	12.42	22.5 X 79.5	2.75	26.5 X 6.75
1G24N61H4Y	67.0	480	3	2	80.6	13.02	30 X 62.5	2.75	34 X 6.75
1G18N88B4S	67.0	480	3	2	80.6	13.98	22.5 X 89.5	2.75	26.5 X 6.75
4G24N20B2S	68.0	240	3	6	163.6	4.48	30 X 21.5	11	34 X 15
4G24N20B4S	68.0	480	3	2	81.8	4.48	30 X 21.5	11	34 X 15
1G54N33B4S	68.0	480	3	2	81.8	16.17	67.5 X 34.5	2.75	71.5 X 6.75
3G18N33B2S	69.0	240	3	3	166.0	5.39	22.5 X 34.5	8.25	26.5 X 12.25
3G18N33B4S	69.0	480	3	3	83.0	5.39	22.5 X 34.5	8.25	26.5 X 12.25
8G12N20B2S	69.6	240	3	4	167.4	2.24	15 X 21.5	22	19 X 26
8G12N20B4S	69.6	480	3	2	83.7	2.24	15 X 21.5	22	19 X 26
12G6N25H2Y	72.0	240	3	4	173.2	1.38	7.5 X 26.5	33	11.5 X 37
12G6N25B2S	72.0	240	3	4	173.2	1.38	7.5 X 26.5	33	11.5 X 37
12G12N13H2Y	72.0	240	3	4	173.2	1.51	15 X 14.5	33	19 X 37
8G18N13H2Y	72.0	240	3	4	173.2	2.27	22.5 X 14.5	22	26.5 X 26
6G12N25H2Y	72.0	240	3	6	173.2	2.76	15 X 26.5	16.5	19 X 20.5
6G12N25B2S	72.0	240	3	6	173.2	2.76	15 X 26.5	16.5	19 X 20.5
6G24N13H2Y	72.0	240	3	6	173.2	3.02	30 X 14.5	16.5	34 X 20.5
6G18N18H2Y	72.0	240	3	6	173.2	3.05	22.5 X 19.5	16.5	26.5 X 20.5
6G18N18B2S	72.0	240	3	6	173.2	3.05	22.5 X 19.5	16.5	26.5 X 20.5
4G18N25B2S	72.0	240	3	6	173.2	4.14	22.5 X 26.5	11	26.5 X 15
4G18N25H2Y	72.0	240	3	6	173.2	4.14	22.5 X 26.5	11	26.5 X 15
3G12N48H2Y	72.0	240	3	3	173.2	5.16	15 X 49.5	8.25	19 X 12.25
3G18N33H2Y	72.0	240	3	3	173.2	5.39	22.5 X 34.5	8.25	26.5 X 12.25
3G24N25H2Y	72.0	240	3	3	173.2	5.52	30 X 26.5	8.25	34 X 12.25
3G24N25B2S	72.0	240	3	3	173.2	5.52	30 X 26.5	8.25	34 X 12.25
2G18N48H2Y	72.0	240	3	2	173.2	7.73	22.5 X 49.5	5.5	26.5 X 9.5
12G6N25H4Y	72.0	480	3	2	86.6	1.38	7.5 X 26.5	33	11.5 X 37
12G6N25B4S	72.0	480	3	2	86.6	1.38	7.5 X 26.5	33	11.5 X 37
12G12N13H4Y	72.0	480	3	2	86.6	1.51	15 X 14.5	33	19 X 37
8G18N13H4Y	72.0	480	3	2	86.6	2.27	22.5 X 14.5	22	26.5 X 26
6G12N25B4S	72.0	480	3	2	86.6	2.76	15 X 26.5	16.5	19 X 20.5
6G12N25H4Y	72.0	480	3	2	86.6	2.76	15 X 26.5	16.5	19 X 20.5
6G24N13H4Y	72.0	480	3	2	86.6	3.02	30 X 14.5	16.5	34 X 20.5
6G18N18H4Y	72.0	480	3	2	86.6	3.05	22.5 X 19.5	16.5	26.5 X 20.5
6G18N18B4S	72.0	480	3	2	86.6	3.05	22.5 X 19.5	16.5	26.5 X 20.5
4G18N25H4Y	72.0	480	3	2	86.6	4.14	22.5 X 26.5	11	26.5 X 15
4G18N25B4S	72.0	480	3	2	86.6	4.14	22.5 X 26.5	11	26.5 X 15
3G12N48H4Y	72.0	480	3	3	86.6	5.16	15 X 49.5	8.25	19 X 12.25
3G18N33H4Y	72.0	480	3	3	86.6	5.39	22.5 X 34.5	8.25	26.5 X 12.25
3G24N25B4S	72.0	480	3	3	86.6	5.52	30 X 26.5	8.25	34 X 12.25
3G24N25H4Y	72.0	480	3	3	86.6	5.52	30 X 26.5	8.25	34 X 12.25

Hi-Temp Duct - Type G

60 kW - 80 kW

Watt Density: 15

Gaumer Catalog Number	kW:	Volts:	Phase	Quantity Circuits	Total Amps	Face Area (Sq. Ft.)	Heater Duct Dim. Ht.x Lgth.(Inches)	Depth (Inches)	Heater Flange Ht.x Wdth.(Inches)
2G18N48H4Y	72.0	480	3	2	86.6	7.73	22.5 X 49.5	5.5	26.5 X 9.5
1G54N33H4Y	72.0	480	3	2	86.6	16.17	67.5 X 34.5	2.75	71.5 X 6.75
1G36N52H4Y	72.0	480	3	2	86.6	16.72	45 X 53.5	2.75	49 X 6.75
3G12N52B2S	75.0	240	3	3	180.4	5.57	15 X 53.5	8.25	19 X 12.25
3G12N52B4S	75.0	480	3	3	90.2	5.57	15 X 53.5	8.25	19 X 12.25
1G18N88H4Y	75.0	480	3	2	90.2	13.98	22.5 X 89.5	2.75	26.5 X 6.75
1G30N61B4S	75.0	480	3	2	90.2	16.28	37.5 X 62.5	2.75	41.5 X 6.75
1G36N52B4S	75.0	480	3	2	90.2	16.72	45 X 53.5	2.75	49 X 6.75
1G60N33B4S	75.0	480	3	2	90.2	17.97	75 X 34.5	2.75	79 X 6.75
2G18N52B2S	76.0	240	3	3	182.8	8.36	22.5 X 53.5	5.5	26.5 X 9.5
2G18N52B4S	76.0	480	3	2	91.4	8.36	22.5 X 53.5	5.5	26.5 X 9.5
2G60N33B4S	76.0	480	3	2	91.4	8.59	37.5 X 33	5.5	41.5 X 9.5
6G18N20B2S	78.0	240	3	6	187.6	3.36	22.5 X 21.5	16.5	26.5 X 20.5
6G18N20B4S	78.0	480	3	2	93.8	3.36	22.5 X 21.5	16.5	26.5 X 20.5
8G6N40H2Y	80.0	240	3	2	192.5	2.16	7.5 X 41.5	22	11.5 X 26
8G12N20H2Y	80.0	240	3	2	192.5	2.24	15 X 21.5	22	19 X 26
8G6N43B2S	80.0	240	3	2	192.5	2.32	7.5 X 44.5	22	11.5 X 26
4G12N40H2Y	80.0	240	3	6	192.5	4.32	15 X 41.5	11	19 X 15
4G24N20H2Y	80.0	240	3	6	192.5	4.48	30 X 21.5	11	34 X 15
4G12N43B2S	80.0	240	3	6	192.5	4.64	15 X 44.5	11	19 X 15
2G24N40H2Y	80.0	240	3	2	192.5	8.65	30 X 41.5	5.5	34 X 9.5
2G24N43B2S	80.0	240	3	2	192.5	9.27	30 X 44.5	5.5	34 X 9.5
8G6N40H4Y	80.0	480	3	2	96.2	2.16	7.5 X 41.5	22	11.5 X 26
8G12N20H4Y	80.0	480	3	2	96.2	2.24	15 X 21.5	22	19 X 26
8G6N43B4S	80.0	480	3	2	96.2	2.32	7.5 X 44.5	22	11.5 X 26
4G12N40H4Y	80.0	480	3	2	96.2	4.32	15 X 41.5	11	19 X 15
4G24N20H4Y	80.0	480	3	2	96.2	4.48	30 X 21.5	11	34 X 15
4G12N43B4S	80.0	480	3	2	96.2	4.64	15 X 44.5	11	19 X 15
2G24N40H4Y	80.0	480	3	2	96.2	8.65	30 X 41.5	5.5	34 X 9.5
2G24N43B4S	80.0	480	3	2	96.2	9.27	30 X 44.5	5.5	34 X 9.5
1G48N40H4Y	80.0	480	3	2	96.2	15.13	52.5 X 41.5	2.75	56.5 X 6.75
1G48N43B4S	80.0	480	3	2	96.2	16.22	52.5 X 44.5	2.75	56.5 X 6.75
1G60N33H4Y	80.0	480	3	2	96.2	17.97	75 X 34.5	2.75	79 X 6.75

Hi-Temp Duct - Type G

60 kW - 80 kW

Watt Density: 12

Gaumer Catalog Number	kW:	Volts:	Phase	Quantity Circuits	Total Amps	Face Area (Sq. Ft.)	Heater Duct Dim. Ht.x Lgth.(Inches)	Depth (Inches)	Heater Flange Ht.x Wdth.(Inches)
8G6N40H2S	60.0	240	3	4	144.3	2.16	7.5 X 41.5	22	11.5 X 26
8G12N20H2S	60.0	240	3	4	144.3	2.24	15 X 21.5	22	19 X 26
4G12N40H2S	60.0	240	3	6	144.3	4.32	15 X 41.5	11	19 X 15
4G24N20H2S	60.0	240	3	6	144.3	4.48	30 X 21.5	11	34 X 15
2G24N40H2S	60.0	240	3	2	144.3	8.65	30 X 41.5	5.5	34 X 9.5
8G6N40H4S	60.0	480	3	2	72.2	2.16	7.5 X 41.5	22	11.5 X 26
8G12N20H4S	60.0	480	3	2	72.2	2.24	15 X 21.5	22	19 X 26
4G12N40H4S	60.0	480	3	2	72.2	4.32	15 X 41.5	11	19 X 15
4G24N20H4S	60.0	480	3	2	72.2	4.48	30 X 21.5	11	34 X 15
2G24N40H4S	60.0	480	3	2	72.2	8.65	30 X 41.5	5.5	34 X 9.5
2G12N78H2S	66.0	240	3	2	158.8	8.28	15 X 79.5	5.5	19 X 9.5
2G12N78H4S	66.0	480	3	2	79.4	8.28	15 X 79.5	5.5	19 X 9.5
1G24N78H2S	67.0	240	3	4	161.2	16.56	30 X 79.5	2.75	34 X 6.75
1G24N78H4S	67.0	480	3	2	80.6	16.56	30 X 79.5	2.75	34 X 6.75
6G18N20H2S	67.8	240	3	6	163.1	3.36	22.5 X 21.5	16.5	26.5 X 20.5
6G18N20H4S	67.8	480	3	2	81.6	3.36	22.5 X 21.5	16.5	26.5 X 20.5
3G18N40H2S	69.0	240	3	3	166.0	6.48	22.5 X 41.5	8.25	26.5 X 12.25
3G18N40H4S	69.0	480	3	3	83.0	6.48	22.5 X 41.5	8.25	26.5 X 12.25
12G6N33H2S	72.0	240	3	4	173.2	1.80	7.5 X 34.5	33	11.5 X 37
12G12N18H2S	72.0	240	3	4	173.2	2.03	15 X 19.5	33	19 X 37
8G6N48H2S	72.0	240	3	4	173.2	2.58	7.5 X 49.5	22	11.5 X 26
8G12N25H2S	72.0	240	3	4	173.2	2.76	15 X 26.5	22	19 X 26
8G24N13H2S	72.0	240	3	4	173.2	3.02	30 X 14.5	22	34 X 26
8G18N18H2S	72.0	240	3	4	173.2	3.05	22.5 X 19.5	22	26.5 X 26
6G12N33H2S	72.0	240	3	6	173.2	3.59	15 X 34.5	16.5	19 X 20.5
6G24N18H2S	72.0	240	3	6	173.2	4.06	30 X 19.5	16.5	34 X 20.5
4G12N48H2S	72.0	240	3	6	173.2	5.16	15 X 49.5	11	19 X 15
4G18N33H2S	72.0	240	3	6	173.2	5.39	22.5 X 34.5	11	26.5 X 15
4G24N25H2S	72.0	240	3	6	173.2	5.52	30 X 26.5	11	34 X 15
3G24N33H2S	72.0	240	3	3	173.2	7.19	30 X 34.5	8.25	34 X 12.25
2G24N48H2S	72.0	240	3	2	173.2	10.31	30 X 49.5	5.5	34 X 9.5
12G6N33H4S	72.0	480	3	2	86.6	1.80	7.5 X 34.5	33	11.5 X 37
12G12N18H4S	72.0	480	3	2	86.6	2.03	15 X 19.5	33	19 X 37
8G6N48H4S	72.0	480	3	2	86.6	2.58	7.5 X 49.5	22	11.5 X 26
8G12N25H4S	72.0	480	3	2	86.6	2.76	15 X 26.5	22	19 X 26
8G24N13H4S	72.0	480	3	2	86.6	3.02	30 X 14.5	22	34 X 26
8G18N18H4S	72.0	480	3	2	86.6	3.05	22.5 X 19.5	22	26.5 X 26
6G12N33H4S	72.0	480	3	2	86.6	3.59	15 X 34.5	16.5	19 X 20.5
6G24N18H4S	72.0	480	3	2	86.6	4.06	30 X 19.5	16.5	34 X 20.5
4G12N48H4S	72.0	480	3	2	86.6	5.16	15 X 49.5	11	19 X 15
4G18N33H4S	72.0	480	3	2	86.6	5.39	22.5 X 34.5	11	26.5 X 15
4G24N25H4S	72.0	480	3	2	86.6	5.52	30 X 26.5	11	34 X 15
3G24N33H4S	72.0	480	3	3	86.6	7.19	30 X 34.5	8.25	34 X 12.25
2G24N48H4S	72.0	480	3	2	86.6	10.31	30 X 49.5	5.5	34 X 9.5
1G48N52H4S	72.0	480	3	2	86.6	19.51	52.5 X 53.5	2.75	56.5 X 6.75
3G12N61H2S	75.0	240	3	3	180.4	6.51	15 X 62.5	8.25	19 X 12.25
1G24N88H4D	75.0	240	3	4	180.4	18.65	30 X 89.5	2.75	34 X 6.75

Hi-Temp Duct - Type G

60 kW - 80 kW

Watt Density: 12

Gaumer Catalog Number	kW:	Volts:	Phase	Quantity Circuits	Total Amps	Face Area (Sq. Ft.)	Heater Duct Dim. Ht.x Lgth.(Inches)	Depth (Inches)	Heater Flange Ht.x Wdth.(Inches)
3G12N61H4S	75.0	480	3	3	90.2	6.51	15 X 62.5	8.25	19 X 12.25
1G24N88H4S	75.0	480	3	2	90.2	18.65	30 X 89.5	2.75	34 X 6.75
1G36N61H4S	75.0	480	3	2	90.2	19.53	45 X 62.5	2.75	49 X 6.75
2G12N88H4D	76.0	240	3	2	182.8	9.32	15 X 89.5	5.5	19 X 9.5
2G18N61H2S	76.0	240	3	2	182.8	9.77	22.5 X 62.5	5.5	26.5 X 9.5
2G18N61H4S	76.0	480	3	2	91.4	3.05	22.5 X 19.5	5.5	26.5 X 9.5
2G12N88H4S	76.0	480	3	2	91.4	9.32	15 X 89.5	5.5	19 X 9.5

Hi-Temp Duct - Type G

60 kW - 80 kW

Watt Density: 8

Gaumer Catalog Number	kW:	Volts:	Phase	Quantity Circuits	Total Amps	Face Area (Sq. Ft.)	Heater Duct Dim. Ht.x Lgth.(Inches)	Depth (Inches)	Heater Flange Ht.x Wdth.(Inches)
12G6N40M2Y	60.0	240	3	4	144.3	2.16	7.5 X 41.5	33	11.5 X 37
12G12N20M2Y	60.0	240	3	4	144.3	2.24	15 X 21.5	33	19 X 37
6G12N40M2Y	60.0	240	3	6	144.3	4.32	15 X 41.5	16.5	19 X 20.5
3G12N77M2Y	60.0	240	3	3	144.3	8.18	15 X 78.5	8.25	19 X 12.25
12G6N40M4Y	60.0	480	3	2	72.2	2.16	7.5 X 41.5	33	11.5 X 37
12G12N20M4Y	60.0	480	3	2	72.2	2.24	15 X 21.5	33	19 X 37
6G12N40M4Y	60.0	480	3	2	72.2	4.32	15 X 41.5	16.5	19 X 20.5
3G12N77M4Y	60.0	480	3	3	72.2	8.18	15 X 78.5	8.25	19 X 12.25
3G18N52M4Y	60.0	480	3	3	72.2	8.36	22.5 X 53.5	8.25	26.5 X 12.25
2G18N77M4Y	60.0	480	3	2	72.2	12.27	22.5 X 78.5	5.5	26.5 X 9.5
1G36N77M4Y	60.0	480	3	2	72.2	24.53	45 X 78.5	2.75	49 X 6.75
1G54N52M4Y	60.0	480	3	2	72.2	25.08	67.5 X 53.5	2.75	71.5 X 6.75
8G12N33M2Y	64.0	240	3	4	154.0	3.59	15 X 34.5	22	19 X 26
8G12N33M4Y	64.0	480	3	2	77.0	3.59	15 X 34.5	22	19 X 26
3G12N88M4Y	66.0	480	3	3	79.4	9.32	15 X 89.5	8.25	19 X 12.25
8G6N64M2Y	66.4	240	3	4	159.7	3.41	7.5 X 65.5	22	11.5 X 26
8G6N64M4Y	66.4	480	3	2	79.9	3.41	7.5 X 65.5	22	11.5 X 26
1G36N88M4Y	67.0	480	3	2	80.6	27.97	45 X 89.5	2.75	49 X 6.75
4G12N64M2Y	68.0	240	3	6	163.6	6.82	15 X 65.5	11	19 X 15
4G12N64M4Y	68.0	480	3	2	81.8	6.82	15 X 65.5	11	19 X 15
2G24N64M4Y	68.0	480	3	2	81.8	13.65	30 X 65.5	5.5	34 X 9.5
2G18N88M4Y	68.0	480	3	2	81.8	13.98	22.5 X 89.5	5.5	26.5 X 9.5
1G48N64M4Y	68.0	480	3	2	81.8	23.88	52.5 X 65.5	2.75	56.5 X 6.75
12G6N48M2Y	72.0	240	3	4	173.2	2.58	7.5 X 49.5	33	11.5 X 37
12G12N25M2Y	72.0	240	3	4	173.2	2.76	15 X 26.5	33	19 X 37
6G12N48M2Y	72.0	240	3	6	173.2	5.16	15 X 49.5	16.5	19 X 20.5
12G6N48M4Y	72.0	480	3	2	86.6	2.58	7.5 X 49.5	33	11.5 X 37
12G12N25M4Y	72.0	480	3	2	86.6	2.76	15 X 26.5	33	19 X 37
6G12N48M4Y	72.0	480	3	2	86.6	5.16	15 X 49.5	16.5	19 X 20.5
1G54N64M4Y	77.0	480	3	2	92.6	30.70	67.5 X 65.5	2.75	71.5 X 6.75
6G12N52M2Y	78.0	240	3	6	187.6	5.57	15 X 53.5	16.5	19 X 20.5
6G12N52M4Y	78.0	480	3	2	93.8	5.57	15 X 53.5	16.5	19 X 20.5
3G18N64M4Y	78.0	480	3	3	93.8	10.23	22.5 X 65.5	8.25	26.5 X 12.25
12G6N52M2Y	79.2	240	3	4	190.5	2.79	7.5 X 53.5	33	11.5 X 37
12G6N52M4Y	79.2	480	3	2	95.3	2.79	7.5 X 53.5	33	11.5 X 37
8G6N77M2Y	80.0	240	3	2	192.5	4.09	7.5 X 78.5	22	11.5 X 26
8G12N40M2Y	80.0	240	3	2	192.5	4.32	15 X 41.5	22	19 X 26
4G12N77M2Y	80.0	240	3	6	192.5	8.18	15 X 78.5	11	19 X 15
8G6N77M4Y	80.0	480	3	2	96.2	4.09	7.5 X 78.5	22	11.5 X 26
8G12N40M4Y	80.0	480	3	2	96.2	4.32	15 X 41.5	22	19 X 26
4G12N77M4Y	80.0	480	3	2	96.2	8.18	15 X 78.5	11	19 X 15
4G18N52M4Y	80.0	480	3	2	96.2	8.36	22.5 X 53.5	11	26.5 X 15
2G24N77M4Y	80.0	480	3	2	96.2	16.35	30 X 78.5	5.5	34 X 9.5
2G36N52M4Y	80.0	480	3	2	96.2	16.72	45 X 53.5	5.5	49 X 9.5
1G48N77M4Y	80.0	480	3	2	96.2	28.62	52.5 X 78.5	2.75	56.5 X 6.75

Hi-Temp Duct - Type G

60 kW - 80 kW

Watt Density: 6

Gaumer Catalog Number	kW:	Volts:	Phase	Quantity Circuits	Total Amps	Face Area (Sq. Ft.)	Heater Duct Dim. Ht.x Lgth.(Inches)	Depth (Inches)	Heater Flange Ht.x Wdth.(Inches)
12G6N52M2S	60.0	240	3	4	144.3	2.79	7.5 X 53.5	33	11.5 X 37
8G6N77M2S	60.0	240	3	4	144.3	4.09	7.5 X 78.5	22	11.5 X 26
8G12N40M2S	60.0	240	3	4	144.3	4.32	15 X 41.5	22	19 X 26
6G12N52M2S	60.0	240	3	6	144.3	5.57	15 X 53.5	16.5	19 X 20.5
4G12N77M2S	60.0	240	3	6	144.3	8.18	15 X 78.5	11	19 X 15
4G18N52M2S	60.0	240	3	6	144.3	8.36	22.5 X 53.5	11	26.5 X 15
4G24N40M2S	60.0	240	3	6	144.3	8.65	30 X 41.5	11	34 X 15
3G24N52M2S	60.0	240	3	3	144.3	11.15	30 X 53.5	8.25	34 X 12.25
2G48N40M2S	60.0	240	3	2	144.3	15.13	52.5 X 41.5	5.5	56.5 X 9.5
2G24N77M2S	60.0	240	3	2	144.3	16.35	30 X 78.5	5.5	34 X 9.5
2G36N52M2S	60.0	240	3	2	144.3	16.72	45 X 53.5	5.5	49 X 9.5
2G60N33M2S	60.0	240	3	2	144.3	17.97	75 X 34.5	5.5	79 X 9.5
1G48N77M2S	60.0	240	3	4	144.3	28.62	52.5 X 78.5	2.75	56.5 X 6.75
12G6N52M4S	60.0	480	3	2	72.2	2.79	7.5 X 53.5	33	11.5 X 37
8G6N77M4S	60.0	480	3	2	72.2	4.09	7.5 X 78.5	22	11.5 X 26
8G12N40M4S	60.0	480	3	2	72.2	4.32	15 X 41.5	22	19 X 26
6G12N52M4S	60.0	480	3	2	72.2	5.57	15 X 53.5	16.5	19 X 20.5
4G12N77M4S	60.0	480	3	2	72.2	8.18	15 X 78.5	11	19 X 15
4G18N52M4S	60.0	480	3	2	72.2	8.36	22.5 X 53.5	11	26.5 X 15
4G24N40M4S	60.0	480	3	2	72.2	8.65	30 X 41.5	11	34 X 15
3G24N52M4S	60.0	480	3	3	72.2	11.15	30 X 53.5	8.25	34 X 12.25
2G48N40M4S	60.0	480	3	2	72.2	15.13	52.5 X 41.5	5.5	56.5 X 9.5
2G24N77M4S	60.0	480	3	2	72.2	16.35	30 X 78.5	5.5	34 X 9.5
2G36N52M4S	60.0	480	3	2	72.2	16.72	45 X 53.5	5.5	49 X 9.5
2G60N33M4S	60.0	480	3	2	72.2	17.97	75 X 34.5	5.5	79 X 9.5
1G48N77M4S	60.0	480	3	2	72.2	28.62	52.5 X 78.5	2.75	56.5 X 6.75
1G72N52M2S	60.0	480	3	2	72.2	32.50	90 X 52	2.75	94 X 6.75
1G72N52M4S	60.0	480	3	2	72.2	33.44	90 X 53.5	2.75	94 X 6.75
1G60N64M2S	64.0	240	3	5	154.0	34.11	75 X 65.5	2.75	79 X 6.75
1G60N64M4S	64.0	480	3	2	77.0	34.11	75 X 65.5	2.75	79 X 6.75
3G36N40M2S	66.0	240	3	3	158.8	12.97	45 X 41.5	8.25	49 X 12.25
3G36N40M4S	66.0	480	3	3	79.4	12.97	45 X 41.5	8.25	49 X 12.25
1G48N88M4S	67.0	480	3	2	80.6	32.63	52.5 X 89.5	2.75	56.5 X 6.75
6G18N40M2S	67.2	240	3	6	161.7	6.48	22.5 X 41.5	16.5	26.5 X 20.5
8G6N88M4S	67.2	480	3	2	80.8	4.66	7.5 X 89.5	22	11.5 X 26
6G18N40M4S	67.2	480	3	2	80.8	6.48	22.5 X 41.5	16.5	26.5 X 20.5
4G12N88M4S	68.0	480	3	2	81.8	9.32	15 X 89.5	11	19 X 15
2G24N88M4S	68.0	480	3	2	81.8	18.65	30 X 89.5	5.5	34 X 9.5
3G18N77M2S	69.0	240	3	3	166.0	12.27	22.5 X 78.5	8.25	26.5 X 12.25
3G18N77M4S	69.0	480	3	3	83.0	12.27	22.5 X 78.5	8.25	26.5 X 12.25
12G12N33M2S	72.0	240	3	4	173.2	3.59	15 X 34.5	33	19 X 37
8G12N48M2S	72.0	240	3	4	173.2	5.16	15 X 49.5	22	19 X 26
8G18N33M2S	72.0	240	3	4	173.2	5.39	22.5 X 34.5	22	26.5 X 26
6G24N33M2S	72.0	240	3	6	173.2	7.19	30 X 34.5	16.5	34 X 20.5
4G24N48M2S	72.0	240	3	6	173.2	10.31	30 X 49.5	11	34 X 15
4G36N33M2S	72.0	240	3	6	173.2	10.78	45 X 34.5	11	49 X 15
3G48N33M2S	72.0	240	3	3	173.2	12.58	52.5 X 34.5	8.25	56.5 X 12.25

Hi-Temp Duct - Type G

60 kW - 80 kW

Watt Density: 6

Gaumer Catalog Number	kW:	Volts:	Phase	Quantity Circuits	Total Amps	Face Area (Sq. Ft.)	Heater Duct Dim. Ht.x Lgth.(Inches)	Depth (Inches)	Heater Flange Ht.x Wdth.(Inches)
2G48N48M2S	72.0	240	3	2	173.2	18.05	52.5 X 49.5	5.5	56.5 X 9.5
12G12N33M4S	72.0	480	3	2	86.6	3.59	15 X 34.5	33	19 X 37
8G12N48M4S	72.0	480	3	2	86.6	5.16	15 X 49.5	22	19 X 26
8G18N33M4S	72.0	480	3	2	86.6	5.39	22.5 X 34.5	22	26.5 X 26
6G24N33M4S	72.0	480	3	2	86.6	7.19	30 X 34.5	16.5	34 X 20.5
4G24N48M4S	72.0	480	3	2	86.6	10.31	30 X 49.5	11	34 X 15
4G36N33M4S	72.0	480	3	2	86.6	10.78	45 X 34.5	11	49 X 15
3G48N33M4S	72.0	480	3	3	86.6	12.58	52.5 X 34.5	8.25	56.5 X 12.25
2G48N48M4S	72.0	480	3	2	86.6	18.05	52.5 X 49.5	5.5	56.5 X 9.5
2G72N33M2S	72.0	480	3	2	86.6	20.63	90 X 33	5.5	94 X 9.5
2G72N33M4S	72.0	480	3	2	86.6	21.56	90 X 34.5	5.5	94 X 9.5
12G6N64M2S	74.4	240	3	4	179.0	3.41	7.5 X 65.5	33	11.5 X 37
12G6N64M4S	74.4	480	3	2	89.5	3.41	7.5 X 65.5	33	11.5 X 37
3G24N64M2S	75.0	240	3	3	180.4	13.65	30 X 65.5	8.25	34 X 12.25
1G60N77M2S	75.0	240	3	5	180.4	40.89	75 X 78.5	2.75	79 X 6.75
3G24N64M4S	75.0	480	3	3	90.2	13.65	30 X 65.5	8.25	34 X 12.25
3G18N88M4S	75.0	480	3	3	90.2	13.98	22.5 X 89.5	8.25	26.5 X 12.25
1G60N77M4S	75.0	480	3	2	90.2	40.89	75 X 78.5	2.75	79 X 6.75
4G18N64M2S	76.0	240	3	6	182.8	10.23	22.5 X 65.5	11	26.5 X 15
2G36N64M2S	76.0	240	3	2	182.8	20.47	45 X 65.5	5.5	49 X 9.5
2G60N40M2S	76.0	240	3	2	182.8	21.61	75 X 41.5	5.5	79 X 9.5
4G18N64M4S	76.0	480	3	2	91.4	10.23	22.5 X 65.5	11	26.5 X 15
2G36N64M4S	76.0	480	3	2	91.4	20.47	45 X 65.5	5.5	49 X 9.5
2G60N40M4S	76.0	480	3	2	91.4	21.61	75 X 41.5	5.5	79 X 9.5
1G72N64M2S	77.0	480	3	2	92.6	40.00	90 X 64	2.75	94 X 6.75
1G72N64M4S	77.0	480	3	2	92.6	40.94	90 X 65.5	2.75	94 X 6.75
6G12N64M2S	78.0	240	3	6	187.6	6.82	15 X 65.5	16.5	19 X 20.5
6G12N64M4S	78.0	480	3	2	93.8	6.82	15 X 65.5	16.5	19 X 20.5
8G12N52M2S	80.0	240	3	2	192.5	5.57	15 X 53.5	22	19 X 26
4G24N52M2S	80.0	240	3	6	192.5	11.15	30 X 53.5	11	34 X 15
2G48N52M2S	80.0	240	3	2	192.5	19.51	52.5 X 53.5	5.5	56.5 X 9.5
8G12N52M4S	80.0	480	3	2	96.2	5.57	15 X 53.5	22	19 X 26
4G24N52M4S	80.0	480	3	2	96.2	11.15	30 X 53.5	11	34 X 15
2G48N52M4S	80.0	480	3	2	96.2	19.51	52.5 X 53.5	5.5	56.5 X 9.5

Hi-Temp Duct - Type G

60 kW - 80 kW

Watt Density: 4

Gaumer Catalog Number	kW:	Volts:	Phase	Quantity Circuits	Total Amps	Face Area (Sq. Ft.)	Heater Duct Dim. Ht.x Lgth.(Inches)	Depth (Inches)	Heater Flange Ht.x Wdth.(Inches)
12G12N40H4SY	60.0	480	3	2	72.2	4.32	15 X 41.5	33	19 X 37
12G24N20H4SY	60.0	480	3	2	72.2	4.48	30 X 21.5	33	34 X 37
8G18N40H4SY	60.0	480	3	2	72.2	6.48	22.5 X 41.5	22	26.5 X 26
6G24N40H4SY	60.0	480	3	2	72.2	8.65	30 X 41.5	16.5	34 X 20.5
2G60N52H4SY	60.0	480	3	2	72.2	27.86	75 X 53.5	5.5	79 X 9.5
1G60N88H4SY	63.0	480	3	2	75.8	46.61	75 X 89.5	2.75	79 X 6.75
8G24N33H4SY	64.0	480	3	2	77.0	7.19	30 X 34.5	22	34 X 26
3G24N78H4SY	66.0	480	3	3	79.4	16.56	30 X 79.5	8.25	34 X 12.25
2G48N61H4SY	66.0	480	3	2	79.4	22.79	52.5 X 62.5	5.5	56.5 X 9.5
2G36N78H4SY	66.0	480	3	2	79.4	24.84	45 X 79.5	5.5	49 X 9.5
8G12N61H4SY	66.4	480	3	2	79.9	6.51	15 X 62.5	22	19 X 26
6G12N78H4SY	66.6	480	3	2	80.1	8.28	15 X 79.5	16.5	19 X 20.5
1G72N78H4SY	67.0	480	3	2	80.6	49.69	90 X 79.5	2.75	94 X 6.75
12G6N78H4SY	67.2	480	3	2	80.8	4.14	7.5 X 79.5	33	11.5 X 37
4G18N78H4SY	68.0	480	3	2	81.8	12.42	22.5 X 79.5	11	26.5 X 15
4G24N61H4SY	68.0	480	3	2	81.8	13.02	30 X 62.5	11	34 X 15
12G12N48H4SY	72.0	480	3	2	86.6	5.16	15 X 49.5	33	19 X 37
12G18N33H4SY	72.0	480	3	2	86.6	5.39	22.5 X 34.5	33	26.5 X 37
12G24N25H4SY	72.0	480	3	2	86.6	5.52	30 X 26.5	33	34 X 37
8G18N48H4SY	72.0	480	3	2	86.6	7.73	22.5 X 49.5	22	26.5 X 26
6G24N48H4SY	72.0	480	3	2	86.6	10.31	30 X 49.5	16.5	34 X 20.5
3G48N52H4SY	72.0	480	3	3	86.6	19.51	52.5 X 53.5	8.25	56.5 X 12.25
2G72N52H4SY	72.0	480	3	2	86.6	33.44	90 X 53.5	5.5	94 X 9.5
3G24N88H4SY	75.0	480	3	3	90.2	18.65	30 X 89.5	8.25	34 X 12.25
1G72N88H4SY	75.0	480	3	2	90.2	55.94	90 X 89.5	2.75	94 X 6.75
12G6N88H4SY	75.6	480	3	2	90.9	4.66	7.5 X 89.5	33	11.5 X 37
4G18N88H4SY	76.0	480	3	2	91.4	13.98	22.5 X 89.5	11	26.5 X 15
2G36N88H4SY	76.0	480	3	2	91.4	27.97	45 X 89.5	5.5	49 X 9.5
2G54N61H4SY	76.0	480	3	2	91.4	29.30	67.5 X 62.5	5.5	71.5 X 9.5
6G18N61H4SY	78.0	480	3	2	93.8	3.05	22.5 X 19.5	16.5	26.5 X 20.5
8G24N40H4SY	80.0	480	3	2	96.2	8.65	30 X 41.5	22	34 X 26

GAUMER PROCESS

HEATERS
SYSTEMS
CONTROLS

APPLICATIONS

The Gaumer Electric Process Type G Duct Heater is designed for rugged duty where air must be heated to temperatures higher than what would be normal for comfort heating. Temperatures as high as 1100° F are possible if the heater is properly selected. Contact Gaumer Process for assistance in selecting Type G Duct Heaters.

HEATER SELECTION

One (1G-----) Row Coil

For heating large quantities of re-circulated air thru a very small temperature rise (to 20 degrees) resulting in a low pressure drop and low heater face velocity (300-1000 fpm).

Two (2G-----) or Three (3G-----) Row Coil

For heating large quantities of re-circulated air thru a temperature rise (10 to 50 degrees) resulting in a normal pressure drop and average heater face velocity (500-2000 fpm).

Three (3G-----) or Four (4G-----) Row Coil

For average quantities of air thru a normal temperature rise (50-100 degrees) resulting in a low pressure drop and low heater face velocity (500-2000 fpm).

Six(6G--), Eight(8G--), or Twelve(12G---) Row Coil

For average quantities of air thru a higher than normal temperature rise (100-600 degrees).

SPECIAL FEATURES

- INS Insulated Section on Element Side of Flange
- SPT Flange Attached Spacer Assembly
- SS Stainless Steel Flange
- W Wattage Other Than Cataloged
- V Voltage Other Than Cataloged
- ER Explosion Resistant Construction
- LT Weatherproof Construction
- J(K) Additional Sheath Sensing Thermocouple for Overheat Protection
- HTR Space Heater Mounted in Terminal Enclosure
- X Special Feature not Listed Above

Hi-Temp Duct - Type G

80 kW - 120 kW



STANDARD FEATURES

Heating Elements

- Incoloy 800 Sheath Material
- Heavy Wall (.035 in.)
- Large Diameter (.475 in.)
- Sealed Terminals

Standard Features

- High Temp Alloy Spacers
- Gaumer "Evenflow" Configuration
- Type K TC for Overheat Protection
- Insulated Terminal Section

Construction

- Welded Heating Elements
- Welded Spacers

Installation

- Flying Leadwires Provided
- Only Standard Materials Needed in Field

Service

- Wiring Modifiable in Field
- Assembly Repairable at Factory

Hi-Temp Duct - Type G

80 kW - 120 kW

Watt Density: 23

Gaumer Catalog Number	kW:	Volts:	Phase	Quantity Circuits	Total Amps	Face Area (Sq. Ft.)	Heater Duct Dim. Ht.x Lgth.(Inches)	Depth (Inches)	Heater Flange Ht.x Wdth.(Inches)
2G12N52M2	80.0	240	3	2	192.5	5.57	15 X 53.5	5.5	19 X 9.5
1G24N52M2	80.0	240	3	4	192.5	11.15	30 X 53.5	2.75	34 X 6.75
2G12N52M4	80.0	480	3	2	96.2	5.57	15 X 53.5	5.5	19 X 9.5
1G24N52M4	80.0	480	3	2	96.2	11.15	30 X 53.5	2.75	34 X 6.75
3G18N25M2	81.0	240	3	3	194.9	4.14	22.5 X 26.5	8.25	26.5 X 12.25
3G18N25M4	81.0	480	3	3	97.4	4.14	22.5 X 26.5	8.25	26.5 X 12.25
12G6N20M2	90.0	240	3	8	216.5	1.12	7.5 X 21.5	33	11.5 X 37
6G6N40M2	90.0	240	3	6	216.5	2.16	7.5 X 41.5	16.5	11.5 X 20.5
6G12N20M2	90.0	240	3	6	216.5	2.24	15 X 21.5	16.5	19 X 20.5
3G12N40M2	90.0	240	3	3	216.5	4.32	15 X 41.5	8.25	19 X 12.25
3G24N20M2	90.0	240	3	3	216.5	4.48	30 X 21.5	8.25	34 X 12.25
2G18N40M2	90.0	240	3	3	216.5	6.48	22.5 X 41.5	5.5	26.5 X 9.5
1G18N77M2	90.0	240	3	6	216.5	12.27	22.5 X 78.5	2.75	26.5 X 6.75
12G6N20M4	90.0	480	3	4	108.3	1.12	7.5 X 21.5	33	11.5 X 37
6G6N40M4	90.0	480	3	4	108.3	2.16	7.5 X 41.5	16.5	11.5 X 20.5
6G12N20M4	90.0	480	3	4	108.3	2.24	15 X 21.5	16.5	19 X 20.5
3G12N40M4	90.0	480	3	3	108.3	4.32	15 X 41.5	8.25	19 X 12.25
3G24N20M4	90.0	480	3	3	108.3	4.48	30 X 21.5	8.25	34 X 12.25
2G36N20M4	90.0	480	3	2	108.3	6.25	45 X 20	5.5	49 X 9.5
2G18N40M4	90.0	480	3	2	108.3	6.48	22.5 X 41.5	5.5	26.5 X 9.5
1G18N77M4	90.0	480	3	3	108.3	12.27	22.5 X 78.5	2.75	26.5 X 6.75
1G36N40M4	90.0	480	3	3	108.3	12.97	45 X 41.5	2.75	49 X 6.75
4G18N20M2	92.0	240	3	6	221.3	3.36	22.5 X 21.5	11	26.5 X 15
4G18N20M4	92.0	480	3	4	110.7	3.36	22.5 X 21.5	11	26.5 X 15
8G6N33M2	96.0	240	3	8	230.9	1.80	7.5 X 34.5	22	11.5 X 26
8G12N18M2	96.0	240	3	8	230.9	2.03	15 X 19.5	22	19 X 26
4G12N33M2	96.0	240	3	6	230.9	3.59	15 X 34.5	11	19 X 15
4G24N18M2	96.0	240	3	6	230.9	4.06	30 X 19.5	11	34 X 15
2G24N33M2	96.0	240	3	4	230.9	7.19	30 X 34.5	5.5	34 X 9.5
8G6N33M4	96.0	480	3	4	115.5	1.80	7.5 X 34.5	22	11.5 X 26
8G12N18M4	96.0	480	3	4	115.5	2.03	15 X 19.5	22	19 X 26
4G12N33M4	96.0	480	3	4	115.5	3.59	15 X 34.5	11	19 X 15
4G24N18M4	96.0	480	3	4	115.5	4.06	30 X 19.5	11	34 X 15
2G48N18M4	96.0	480	3	2	115.5	7.11	52.5 X 19.5	5.5	56.5 X 9.5
2G24N33M4	96.0	480	3	2	115.5	7.19	30 X 34.5	5.5	34 X 9.5
1G48N33M4	96.0	480	3	3	115.5	12.58	52.5 X 34.5	2.75	56.5 X 6.75
2G12N64M2	100.0	240	3	4	240.6	6.82	15 X 65.5	5.5	19 X 9.5
2G12N64M4	100.0	480	3	2	120.3	6.82	15 X 65.5	5.5	19 X 9.5
1G18N88M4	101.0	480	3	3	121.5	13.98	22.5 X 89.5	2.75	26.5 X 6.75
1G24N64M2	102.0	240	3	8	245.4	13.65	30 X 65.5	2.75	34 X 6.75
1G24N64M4	102.0	480	3	4	122.7	13.65	30 X 65.5	2.75	34 X 6.75
12G6N25M2	108.0	240	3	8	259.8	1.38	7.5 X 26.5	33	11.5 X 37
6G12N25M2	108.0	240	3	6	259.8	2.76	15 X 26.5	16.5	19 X 20.5
6G18N18M2	108.0	240	3	6	259.8	3.05	22.5 X 19.5	16.5	26.5 X 20.5
4G18N25M2	108.0	240	3	6	259.8	4.14	22.5 X 26.5	11	26.5 X 15
3G12N48M2	108.0	240	3	3	259.8	5.16	15 X 49.5	8.25	19 X 12.25
3G18N33M2	108.0	240	3	3	259.8	5.39	22.5 X 34.5	8.25	26.5 X 12.25

Hi-Temp Duct - Type G

80 kW - 120 kW

Watt Density: 23

Gaumer Catalog Number	kW:	Volts:	Phase	Quantity Circuits	Total Amps	Face Area (Sq. Ft.)	Heater Duct Dim. Ht.x Lgth.(Inches)	Depth (Inches)	Heater Flange Ht.x Wdth.(Inches)
3G24N25M2	108.0	240	3	3	259.8	5.52	30 X 26.5	8.25	34 X 12.25
2G18N48M2	108.0	240	3	3	259.8	7.73	22.5 X 49.5	5.5	26.5 X 9.5
12G6N25M4	108.0	480	3	4	129.9	1.38	7.5 X 26.5	33	11.5 X 37
6G12N25M4	108.0	480	3	4	129.9	2.76	15 X 26.5	16.5	19 X 20.5
6G18N18M4	108.0	480	3	4	129.9	3.05	22.5 X 19.5	16.5	26.5 X 20.5
4G18N25M4	108.0	480	3	4	129.9	4.14	22.5 X 26.5	11	26.5 X 15
3G12N48M4	108.0	480	3	3	129.9	5.16	15 X 49.5	8.25	19 X 12.25
3G18N33M4	108.0	480	3	3	129.9	5.39	22.5 X 34.5	8.25	26.5 X 12.25
3G24N25M4	108.0	480	3	3	129.9	5.52	30 X 26.5	8.25	34 X 12.25
3G36N18M4	108.0	480	3	3	129.9	5.63	45 X 18	8.25	49 X 12.25
2G18N48M4	108.0	480	3	2	129.9	7.73	22.5 X 49.5	5.5	26.5 X 9.5
2G36N25M4	108.0	480	3	2	129.9	7.81	45 X 25	5.5	49 X 9.5
1G36N48M4	108.0	480	3	3	129.9	15.47	45 X 49.5	2.75	49 X 6.75
8G6N40M2	120.0	240	3	12	288.7	2.16	7.5 X 41.5	22	11.5 X 26
8G12N20M2	120.0	240	3	12	288.7	2.24	15 X 21.5	22	19 X 26
4G12N40M2	120.0	240	3	6	288.7	4.32	15 X 41.5	11	19 X 15
4G24N20M2	120.0	240	3	6	288.7	4.48	30 X 21.5	11	34 X 15
3G12N52M2	120.0	240	3	3	288.7	5.57	15 X 53.5	8.25	19 X 12.25
2G12N77M2	120.0	240	3	4	288.7	8.18	15 X 78.5	5.5	19 X 9.5
2G18N52M2	120.0	240	3	3	288.7	8.36	22.5 X 53.5	5.5	26.5 X 9.5
2G24N40M2	120.0	240	3	4	288.7	8.65	30 X 41.5	5.5	34 X 9.5
1G24N77M2	120.0	240	3	8	288.7	16.35	30 X 78.5	2.75	34 X 6.75
8G6N40M4	120.0	480	3	4	144.3	2.16	7.5 X 41.5	22	11.5 X 26
8G12N20M4	120.0	480	3	4	144.3	2.24	15 X 21.5	22	19 X 26
4G12N40M4	120.0	480	3	6	144.3	4.32	15 X 41.5	11	19 X 15
4G24N20M4	120.0	480	3	6	144.3	4.48	30 X 21.5	11	34 X 15
3G12N52M4	120.0	480	3	3	144.3	5.57	15 X 53.5	8.25	19 X 12.25
2G48N20M4	120.0	480	3	2	144.3	7.84	52.5 X 21.5	5.5	56.5 X 9.5
2G12N77M4	120.0	480	3	2	144.3	8.18	15 X 78.5	5.5	19 X 9.5
2G18N52M4	120.0	480	3	2	144.3	8.36	22.5 X 53.5	5.5	26.5 X 9.5
2G24N40M4	120.0	480	3	2	144.3	8.65	30 X 41.5	5.5	34 X 9.5
1G48N40M4	120.0	480	3	3	144.3	15.13	52.5 X 41.5	2.75	56.5 X 6.75
1G24N77M4	120.0	480	3	4	144.3	16.35	30 X 78.5	2.75	34 X 6.75
1G36N52M4	120.0	480	3	3	144.3	16.72	45 X 53.5	2.75	49 X 6.75

Hi-Temp Duct - Type G

80 kW - 120 kW

Watt Density: 20

Gaumer Catalog Number	kW:	Volts:	Phase	Quantity Circuits	Total Amps	Face Area (Sq. Ft.)	Heater Duct Dim. Ht.x Lgth.(Inches)	Depth (Inches)	Heater Flange Ht.x Wdth.(Inches)
8G6N33B2Y	80.0	240	3	2	192.5	1.80	7.5 X 34.5	22	11.5 X 26
4G12N33B2Y	80.0	240	3	6	192.5	3.59	15 X 34.5	11	19 X 15
2G12N61B2Y	80.0	240	3	2	192.5	6.51	15 X 62.5	5.5	19 X 9.5
2G18N43B2Y	80.0	240	3	2	192.5	6.95	22.5 X 44.5	5.5	26.5 X 9.5
2G24N33B2Y	80.0	240	3	2	192.5	7.19	30 X 34.5	5.5	34 X 9.5
1G24N61B2Y	80.0	240	3	4	192.5	13.02	30 X 62.5	2.75	34 X 6.75
8G6N33B4Y	80.0	480	3	2	96.2	1.80	7.5 X 34.5	22	11.5 X 26
4G12N33B4Y	80.0	480	3	2	96.2	3.59	15 X 34.5	11	19 X 15
2G12N61B4Y	80.0	480	3	2	96.2	6.51	15 X 62.5	5.5	19 X 9.5
2G18N43B4Y	80.0	480	3	2	96.2	6.95	22.5 X 44.5	5.5	26.5 X 9.5
2G24N33B4Y	80.0	480	3	2	96.2	7.19	30 X 34.5	5.5	34 X 9.5
1G48N33B4Y	80.0	480	3	2	96.2	12.58	52.5 X 34.5	2.75	56.5 X 6.75
1G24N61B4Y	80.0	480	3	2	96.2	13.02	30 X 62.5	2.75	34 X 6.75
1G36N43B4Y	80.0	480	3	2	96.2	13.91	45 X 44.5	2.75	49 X 6.75
3G12N43B2Y	81.0	240	3	3	194.9	4.64	15 X 44.5	8.25	19 X 12.25
3G12N43B4Y	81.0	480	3	3	97.4	4.64	15 X 44.5	8.25	19 X 12.25
1G30N52B4Y	83.0	480	3	3	99.8	13.93	37.5 X 53.5	2.75	41.5 X 6.75
4G24N18B2Y	84.0	240	3	6	202.1	4.06	30 X 19.5	11	34 X 15
4G24N18B4Y	84.0	480	3	4	101.0	4.06	30 X 19.5	11	34 X 15
8G12N18B2Y	85.6	240	3	8	205.9	2.03	15 X 19.5	22	19 X 26
8G12N18B4Y	85.6	480	3	4	103.0	2.03	15 X 19.5	22	19 X 26
1G18N78B2Y	89.0	240	3	6	214.1	12.19	22.5 X 78	2.75	26.5 X 6.75
1G18N88B4Y	89.0	480	3	3	107.1	13.98	22.5 X 89.5	2.75	26.5 X 6.75
3G18N33B2Y	90.0	240	3	3	216.5	5.39	22.5 X 34.5	8.25	26.5 X 12.25
3G18N33B4Y	90.0	480	3	3	108.3	5.39	22.5 X 34.5	8.25	26.5 X 12.25
1G54N33B4Y	90.0	480	3	3	108.3	16.17	67.5 X 34.5	2.75	71.5 X 6.75
4G24N20B2Y	92.0	240	3	6	221.3	4.48	30 X 21.5	11	34 X 15
4G24N20B4Y	92.0	480	3	4	110.7	4.48	30 X 21.5	11	34 X 15
8G12N20B2Y	92.8	240	3	8	223.2	2.24	15 X 21.5	22	19 X 26
8G12N20B4Y	92.8	480	3	4	111.6	2.24	15 X 21.5	22	19 X 26
12G6N25B2Y	96.0	240	3	8	230.9	1.38	7.5 X 26.5	33	11.5 X 37
6G12N25B2Y	96.0	240	3	6	230.9	2.76	15 X 26.5	16.5	19 X 20.5
6G18N18B2Y	96.0	240	3	6	230.9	3.05	22.5 X 19.5	16.5	26.5 X 20.5
4G18N25B2Y	96.0	240	3	6	230.9	4.14	22.5 X 26.5	11	26.5 X 15
3G24N25B2Y	96.0	240	3	3	230.9	5.52	30 X 26.5	8.25	34 X 12.25
12G6N25B4Y	96.0	480	3	4	115.5	1.38	7.5 X 26.5	33	11.5 X 37
6G12N25B4Y	96.0	480	3	4	115.5	2.76	15 X 26.5	16.5	19 X 20.5
6G18N18B4Y	96.0	480	3	4	115.5	3.05	22.5 X 19.5	16.5	26.5 X 20.5
4G18N25B4Y	96.0	480	3	4	115.5	4.14	22.5 X 26.5	11	26.5 X 15
3G24N25B4Y	96.0	480	3	3	115.5	5.52	30 X 26.5	8.25	34 X 12.25
3G12N52B2Y	99.0	240	3	3	238.2	5.57	15 X 53.5	8.25	19 X 12.25
3G12N52B4Y	99.0	480	3	3	119.1	5.57	15 X 53.5	8.25	19 X 12.25
2G18N52B2Y	100.0	240	3	3	240.6	8.36	22.5 X 53.5	5.5	26.5 X 9.5
2G18N52B4Y	100.0	480	3	2	120.3	8.36	22.5 X 53.5	5.5	26.5 X 9.5
2G60N33B4Y	100.0	480	3	2	120.3	8.98	37.5 X 34.5	5.5	41.5 X 9.5
1G30N61B4Y	100.0	480	3	3	120.3	16.28	37.5 X 62.5	2.75	41.5 X 6.75
1G36N52B4Y	100.0	480	3	3	120.3	16.72	45 X 53.5	2.75	49 X 6.75

Hi-Temp Duct - Type G

80 kW - 120 kW

Watt Density: 20

Gaumer Catalog Number	kW:	Volts:	Phase	Quantity Circuits	Total Amps	Face Area (Sq. Ft.)	Heater Duct Dim. Ht.x Lgth.(Inches)	Depth (Inches)	Heater Flange Ht.x Wdth.(Inches)
1G60N33B4Y	100.0	480	3	4	120.3	17.97	75 X 34.5	2.75	79 X 6.75
6G18N20B2Y	102.0	240	3	6	245.4	3.36	22.5 X 21.5	16.5	26.5 X 20.5
6G18N20B4Y	102.0	480	3	4	122.7	3.36	22.5 X 21.5	16.5	26.5 X 20.5
8G6N43B2Y	104.0	240	3	8	250.2	2.32	7.5 X 44.5	22	11.5 X 26
8G6N43B4Y	104.0	480	3	4	125.1	2.32	7.5 X 44.5	22	11.5 X 26
2G24N43B2Y	106.0	240	3	4	255.0	9.27	30 X 44.5	5.5	34 X 9.5
2G24N43B4Y	106.0	480	3	2	127.5	9.27	30 X 44.5	5.5	34 X 9.5
1G48N43B4Y	107.0	480	3	3	128.7	16.22	52.5 X 44.5	2.75	56.5 X 6.75
4G12N43B2Y	108.0	240	3	6	259.8	4.64	15 X 44.5	11	19 X 15
4G12N43B4Y	108.0	480	3	4	129.9	4.64	15 X 44.5	11	19 X 15
2G12N78B2Y	118.0	240	3	4	283.9	8.13	15 X 78	5.5	19 X 9.5
1G24N78B2Y	118.0	240	3	8	283.9	16.25	30 X 78	2.75	34 X 6.75
2G12N88B4Y	118.0	480	3	2	141.9	9.32	15 X 89.5	5.5	19 X 9.5
1G24N88B4Y	118.0	480	3	4	141.9	18.65	30 X 89.5	2.75	34 X 6.75
12G6N33B2Y	120.0	240	3	12	288.7	1.80	7.5 X 34.5	33	11.5 X 37
6G12N33B2Y	120.0	240	3	6	288.7	3.59	15 X 34.5	16.5	19 X 20.5
4G18N33B2Y	120.0	240	3	6	288.7	5.39	22.5 X 34.5	11	26.5 X 15
3G12N61B2Y	120.0	240	3	3	288.7	6.51	15 X 62.5	8.25	19 X 12.25
3G18N43B2Y	120.0	240	3	3	288.7	6.95	22.5 X 44.5	8.25	26.5 X 12.25
3G24N33B2Y	120.0	240	3	3	288.7	7.19	30 X 34.5	8.25	34 X 12.25
2G18N61B2Y	120.0	240	3	3	288.7	9.77	22.5 X 62.5	5.5	26.5 X 9.5
12G6N33B4Y	120.0	480	3	4	144.3	1.80	7.5 X 34.5	33	11.5 X 37
6G12N33B4Y	120.0	480	3	6	144.3	3.59	15 X 34.5	16.5	19 X 20.5
4G18N33B4Y	120.0	480	3	6	144.3	5.39	22.5 X 34.5	11	26.5 X 15
3G12N61B4Y	120.0	480	3	3	144.3	6.51	15 X 62.5	8.25	19 X 12.25
3G18N43B4Y	120.0	480	3	3	144.3	6.95	22.5 X 44.5	8.25	26.5 X 12.25
3G24N33B4Y	120.0	480	3	3	144.3	7.19	30 X 34.5	8.25	34 X 12.25
2G18N61B4Y	120.0	480	3	2	144.3	9.77	22.5 X 62.5	5.5	26.5 X 9.5
2G36N33B4Y	120.0	480	3	2	144.3	10.78	45 X 34.5	5.5	49 X 9.5
1G36N61B4Y	120.0	480	3	3	144.3	19.53	45 X 62.5	2.75	49 X 6.75
1G54N43B4Y	120.0	480	3	3	144.3	20.86	67.5 X 44.5	2.75	71.5 X 6.75
1G72N33B4Y	120.0	480	3	3	144.3	21.56	90 X 34.5	2.75	94 X 6.75

Hi-Temp Duct - Type G

80 kW - 120 kW

Watt Density: 15

Gaumer Catalog Number	kW:	Volts:	Phase	Quantity Circuits	Total Amps	Face Area (Sq. Ft.)	Heater Duct Dim. Ht.x Lgth.(Inches)	Depth (Inches)	Heater Flange Ht.x Wdth.(Inches)
8G6N40H2Y	80.0	240	3	2	192.5	2.16	7.5 X 41.5	22	11.5 X 26
8G12N20H2Y	80.0	240	3	2	192.5	2.24	15 X 21.5	22	19 X 26
8G6N43B2S	80.0	240	3	2	192.5	2.32	7.5 X 44.5	22	11.5 X 26
4G12N40H2Y	80.0	240	3	6	192.5	4.32	15 X 41.5	11	19 X 15
4G24N20H2Y	80.0	240	3	6	192.5	4.48	30 X 21.5	11	34 X 15
4G12N43B2S	80.0	240	3	6	192.5	4.64	15 X 44.5	11	19 X 15
2G24N40H2Y	80.0	240	3	2	192.5	8.65	30 X 41.5	5.5	34 X 9.5
2G24N43B2S	80.0	240	3	2	192.5	9.27	30 X 44.5	5.5	34 X 9.5
8G6N40H4Y	80.0	480	3	2	96.2	2.16	7.5 X 41.5	22	11.5 X 26
8G12N20H4Y	80.0	480	3	2	96.2	2.24	15 X 21.5	22	19 X 26
8G6N43B4S	80.0	480	3	2	96.2	2.32	7.5 X 44.5	22	11.5 X 26
4G12N40H4Y	80.0	480	3	2	96.2	4.32	15 X 41.5	11	19 X 15
4G24N20H4Y	80.0	480	3	2	96.2	4.48	30 X 21.5	11	34 X 15
4G12N43B4S	80.0	480	3	2	96.2	4.64	15 X 44.5	11	19 X 15
2G24N40H4Y	80.0	480	3	2	96.2	8.65	30 X 41.5	5.5	34 X 9.5
2G24N43B4S	80.0	480	3	2	96.2	9.27	30 X 44.5	5.5	34 X 9.5
1G48N40H4Y	80.0	480	3	2	96.2	15.13	52.5 X 41.5	2.75	56.5 X 6.75
1G48N43B4S	80.0	480	3	2	96.2	16.22	52.5 X 44.5	2.75	56.5 X 6.75
1G60N33H4Y	80.0	480	3	2	96.2	17.97	75 X 34.5	2.75	79 X 6.75
2G12N78B2S	88.0	240	3	2	211.7	8.13	15 X 78	5.5	19 X 9.5
2G12N78H2Y	88.0	240	3	4	211.7	8.28	15 X 79.5	5.5	19 X 9.5
2G12N88B4D	88.0	240	3	4	211.7	9.32	15 X 89.5	5.5	19 X 9.5
2G12N78H4Y	88.0	480	3	2	105.9	8.28	15 X 79.5	5.5	19 X 9.5
1G24N78B2S	89.0	240	3	4	214.1	16.25	30 X 78	2.75	34 X 6.75
1G24N78H2Y	89.0	240	3	4	214.1	16.56	30 X 79.5	2.75	34 X 6.75
1G24N78H4Y	89.0	480	3	4	107.1	16.56	30 X 79.5	2.75	34 X 6.75
1G24N88B4S	89.0	480	3	4	107.1	18.65	30 X 89.5	2.75	34 X 6.75
12G6N33B2S	90.0	240	3	8	216.5	1.80	7.5 X 34.5	33	11.5 X 37
6G18N20H2Y	90.0	240	3	6	216.5	3.36	22.5 X 21.5	16.5	26.5 X 20.5
6G12N33B2S	90.0	240	3	6	216.5	3.59	15 X 34.5	16.5	19 X 20.5
3G18N40H2Y	90.0	240	3	3	216.5	6.48	22.5 X 41.5	8.25	26.5 X 12.25
3G12N61B2S	90.0	240	3	3	216.5	6.51	15 X 62.5	8.25	19 X 12.25
3G18N43B2S	90.0	240	3	3	216.5	6.95	22.5 X 44.5	8.25	26.5 X 12.25
3G24N33B2S	90.0	240	3	3	216.5	7.19	30 X 34.5	8.25	34 X 12.25
2G18N61B2S	90.0	240	3	3	216.5	9.77	22.5 X 62.5	5.5	26.5 X 9.5
12G6N33B4S	90.0	480	3	4	108.3	1.80	7.5 X 34.5	33	11.5 X 37
6G18N20H4Y	90.0	480	3	4	108.3	3.36	22.5 X 21.5	16.5	26.5 X 20.5
6G12N33B4S	90.0	480	3	4	108.3	3.59	15 X 34.5	16.5	19 X 20.5
3G18N40H4Y	90.0	480	3	3	108.3	6.48	22.5 X 41.5	8.25	26.5 X 12.25
3G12N61B4S	90.0	480	3	3	108.3	6.51	15 X 62.5	8.25	19 X 12.25
3G18N43B4S	90.0	480	3	3	108.3	6.95	22.5 X 44.5	8.25	26.5 X 12.25
3G24N33B4S	90.0	480	3	3	108.3	7.19	30 X 34.5	8.25	34 X 12.25
2G18N61B4S	90.0	480	3	2	108.3	9.77	22.5 X 62.5	5.5	26.5 X 9.5
2G36N33B4S	90.0	480	3	2	108.3	10.31	45 X 33	5.5	49 X 9.5
1G54N40H4Y	90.0	480	3	3	108.3	19.45	67.5 X 41.5	2.75	71.5 X 6.75
1G36N61B4S	90.0	480	3	3	108.3	19.53	45 X 62.5	2.75	49 X 6.75
1G54N43B4S	90.0	480	3	3	108.3	20.86	67.5 X 44.5	2.75	71.5 X 6.75

Hi-Temp Duct - Type G

80 kW - 120 kW

Watt Density: 15

Gaumer Catalog Number	kW:	Volts:	Phase	Quantity Circuits	Total Amps	Face Area (Sq. Ft.)	Heater Duct Dim. Ht.x Lgth.(Inches)	Depth (Inches)	Heater Flange Ht.x Wdth.(Inches)
1G72N33B4S	90.0	480	3	3	108.3	21.56	90 X 34.5	2.75	94 X 6.75
4G18N33B2S	92.0	240	3	6	221.3	5.39	22.5 X 34.5	11	26.5 X 15
4G18N33B4S	92.0	480	3	4	110.7	5.39	22.5 X 34.5	11	26.5 X 15
12G6N33H2Y	96.0	240	3	8	230.9	1.80	7.5 X 34.5	33	11.5 X 37
12G12N18B2S	96.0	240	3	8	230.9	2.03	15 X 19.5	33	19 X 37
12G12N18H2Y	96.0	240	3	8	230.9	2.03	15 X 19.5	33	19 X 37
8G6N48H2Y	96.0	240	3	8	230.9	2.58	7.5 X 49.5	22	11.5 X 26
8G12N25B2S	96.0	240	3	8	230.9	2.76	15 X 26.5	22	19 X 26
8G12N25H2Y	96.0	240	3	8	230.9	2.76	15 X 26.5	22	19 X 26
8G24N13H2Y	96.0	240	3	8	230.9	3.02	30 X 14.5	22	34 X 26
8G18N18H2Y	96.0	240	3	8	230.9	3.05	22.5 X 19.5	22	26.5 X 26
8G18N18B2S	96.0	240	3	8	230.9	3.05	22.5 X 19.5	22	26.5 X 26
6G12N33H2Y	96.0	240	3	6	230.9	3.59	15 X 34.5	16.5	19 X 20.5
6G24N18B2S	96.0	240	3	6	230.9	4.06	30 X 19.5	16.5	34 X 20.5
6G24N18H2Y	96.0	240	3	6	230.9	4.06	30 X 19.5	16.5	34 X 20.5
4G12N48H2Y	96.0	240	3	6	230.9	5.16	15 X 49.5	11	19 X 15
4G18N33H2Y	96.0	240	3	6	230.9	5.39	22.5 X 34.5	11	26.5 X 15
4G24N25B2S	96.0	240	3	6	230.9	5.52	30 X 26.5	11	34 X 15
4G24N25H2Y	96.0	240	3	6	230.9	5.52	30 X 26.5	11	34 X 15
3G24N33H2Y	96.0	240	3	3	230.9	7.19	30 X 34.5	8.25	34 X 12.25
2G24N48H2Y	96.0	240	3	4	230.9	10.31	30 X 49.5	5.5	34 X 9.5
12G6N33H4Y	96.0	480	3	4	115.5	1.80	7.5 X 34.5	33	11.5 X 37
12G12N18H4Y	96.0	480	3	4	115.5	2.03	15 X 19.5	33	19 X 37
12G12N18B4S	96.0	480	3	4	115.5	2.03	15 X 19.5	33	19 X 37
8G6N48H4Y	96.0	480	3	4	115.5	2.58	7.5 X 49.5	22	11.5 X 26
8G12N25B4S	96.0	480	3	4	115.5	2.76	15 X 26.5	22	19 X 26
8G12N25H4Y	96.0	480	3	4	115.5	2.76	15 X 26.5	22	19 X 26
8G24N13H4Y	96.0	480	3	4	115.5	3.02	30 X 14.5	22	34 X 26
8G18N18H4Y	96.0	480	3	4	115.5	3.05	22.5 X 19.5	22	26.5 X 26
8G18N18B4S	96.0	480	3	4	115.5	3.05	22.5 X 19.5	22	26.5 X 26
6G12N33H4Y	96.0	480	3	4	115.5	3.59	15 X 34.5	16.5	19 X 20.5
6G24N18B4S	96.0	480	3	4	115.5	4.06	30 X 19.5	16.5	34 X 20.5
6G24N18H4Y	96.0	480	3	4	115.5	4.06	30 X 19.5	16.5	34 X 20.5
4G12N48H4Y	96.0	480	3	4	115.5	5.16	15 X 49.5	11	19 X 15
4G18N33H4Y	96.0	480	3	4	115.5	5.39	22.5 X 34.5	11	26.5 X 15
4G24N25H4Y	96.0	480	3	4	115.5	5.52	30 X 26.5	11	34 X 15
4G24N25B4S	96.0	480	3	4	115.5	5.52	30 X 26.5	11	34 X 15
3G24N33H4Y	96.0	480	3	3	115.5	7.19	30 X 34.5	8.25	34 X 12.25
2G24N48H4Y	96.0	480	3	2	115.5	10.31	30 X 49.5	5.5	34 X 9.5
2G36N33H4Y	96.0	480	3	2	115.5	10.78	45 X 34.5	5.5	49 X 9.5
1G48N52H4Y	96.0	480	3	4	115.5	19.51	52.5 X 53.5	2.75	56.5 X 6.75
1G72N33H4Y	96.0	480	3	3	115.5	21.56	90 X 34.5	2.75	94 X 6.75
3G12N61H2Y	99.0	240	3	3	238.2	6.51	15 X 62.5	8.25	19 X 12.25
3G12N61H4Y	99.0	480	3	3	119.1	6.51	15 X 62.5	8.25	19 X 12.25
4G12N52B2S	100.0	240	3	6	240.6	5.57	15 X 53.5	11	19 X 15
2G24N52B2S	100.0	240	3	4	240.6	11.15	30 X 53.5	5.5	34 X 9.5
4G12N52B4S	100.0	480	3	4	120.3	5.57	15 X 53.5	11	19 X 15

Hi-Temp Duct - Type G

80 kW - 120 kW

Watt Density: 15

Gaumer Catalog Number	kW:	Volts:	Phase	Quantity Circuits	Total Amps	Face Area (Sq. Ft.)	Heater Duct Dim. Ht.x Lgth.(Inches)	Depth (Inches)	Heater Flange Ht.x Wdth.(Inches)
2G12N88H4Y	100.0	480	3	2	120.3	9.32	15 X 89.5	5.5	19 X 9.5
2G18N61H4Y	100.0	480	3	2	120.3	9.77	22.5 X 62.5	5.5	26.5 X 9.5
2G24N52B4S	100.0	480	3	2	120.3	11.15	30 X 53.5	5.5	34 X 9.5
1G24N88H4Y	100.0	480	3	4	120.3	18.65	30 X 89.5	2.75	34 X 6.75
1G36N61H4Y	100.0	480	3	3	120.3	19.53	45 X 62.5	2.75	49 X 6.75
1G60N40H4Y	100.0	480	3	4	120.3	21.61	75 X 41.5	2.75	79 X 6.75
1G48N52B4S	100.0	480	3	3	120.3	22.29	60 X 53.5	2.75	6.75 X 6.75
1G60N43B4S	100.0	480	3	4	120.3	23.18	75 X 44.5	2.75	79 X 6.75
6G24N20B2S	102.0	240	3	6	245.4	4.48	30 X 21.5	16.5	34 X 20.5
6G24N20B4S	102.0	480	3	4	122.7	4.48	30 X 21.5	16.5	34 X 20.5
8G6N52B2S	104.0	240	3	8	250.2	2.79	7.5 X 53.5	22	11.5 X 26
8G18N20B2S	104.0	240	3	8	250.2	3.36	22.5 X 21.5	22	26.5 X 26
8G6N52B4S	104.0	480	3	4	125.1	2.79	7.5 X 53.5	22	11.5 X 26
8G18N20B4S	104.0	480	3	4	125.1	3.36	22.5 X 21.5	22	26.5 X 26
12G12N20B2S	104.4	240	3	8	251.2	2.24	15 X 21.5	33	19 X 37
12G12N20B4S	104.4	480	3	4	125.6	2.24	15 X 21.5	33	19 X 37
12G18N13H2Y	108.0	240	3	8	259.8	2.27	22.5 X 14.5	33	26.5 X 37
6G18N25B2S	108.0	240	3	6	259.8	4.14	22.5 X 26.5	16.5	26.5 X 20.5
6G18N25H2Y	108.0	240	3	6	259.8	4.14	22.5 X 26.5	16.5	26.5 X 20.5
3G18N48H2Y	108.0	240	3	3	259.8	7.73	22.5 X 49.5	8.25	26.5 X 12.25
12G18N13H4Y	108.0	480	3	4	129.9	2.27	22.5 X 14.5	33	26.5 X 37
6G18N25H4Y	108.0	480	3	4	129.9	4.14	22.5 X 26.5	16.5	26.5 X 20.5
6G18N25B4S	108.0	480	3	4	129.9	4.14	22.5 X 26.5	16.5	26.5 X 20.5
3G18N48H4Y	108.0	480	3	3	129.9	7.73	22.5 X 49.5	8.25	26.5 X 12.25
1G54N52H4Y	108.0	480	3	3	129.9	25.08	67.5 X 53.5	2.75	71.5 X 6.75
1G30N88B4S	111.0	480	3	4	133.5	23.31	37.5 X 89.5	2.75	41.5 X 6.75
1G54N52B4S	113.0	480	3	3	135.9	25.08	67.5 X 53.5	2.75	71.5 X 6.75
3G18N52B2S	114.0	240	3	3	274.2	8.36	22.5 X 53.5	8.25	26.5 X 12.25
3G18N52B4S	114.0	480	3	3	137.1	8.36	22.5 X 53.5	8.25	26.5 X 12.25
3G30N33B4S	114.0	480	3	3	137.1	8.98	37.5 X 34.5	8.25	41.5 X 12.25
12G6N40H2Y	120.0	240	3	12	288.7	2.16	7.5 X 41.5	33	11.5 X 37
12G12N20H2Y	120.0	240	3	12	288.7	2.24	15 X 21.5	33	19 X 37
12G6N43B2S	120.0	240	3	12	288.7	2.32	7.5 X 44.5	33	11.5 X 37
8G6N61B2S	120.0	240	3	12	288.7	3.26	7.5 X 62.5	22	11.5 X 26
8G18N20H2Y	120.0	240	3	12	288.7	3.36	22.5 X 21.5	22	26.5 X 26
8G12N33B2S	120.0	240	3	12	288.7	3.59	15 X 34.5	22	19 X 26
6G12N40H2Y	120.0	240	3	6	288.7	4.32	15 X 41.5	16.5	19 X 20.5
6G24N20H2Y	120.0	240	3	6	288.7	4.48	30 X 21.5	16.5	34 X 20.5
6G12N43B2S	120.0	240	3	6	288.7	4.64	15 X 44.5	16.5	19 X 20.5
4G18N40H2Y	120.0	240	3	6	288.7	6.48	22.5 X 41.5	11	26.5 X 15
4G12N61B2S	120.0	240	3	6	288.7	6.51	15 X 62.5	11	19 X 15
4G18N43B2S	120.0	240	3	6	288.7	6.95	22.5 X 44.5	11	26.5 X 15
4G24N33B2S	120.0	240	3	6	288.7	7.19	30 X 34.5	11	34 X 15
3G24N40H2Y	120.0	240	3	3	288.7	8.65	30 X 41.5	8.25	34 X 12.25
3G24N43B2S	120.0	240	3	3	288.7	9.27	30 X 44.5	8.25	34 X 12.25
2G24N61B2S	120.0	240	3	4	288.7	13.02	30 X 62.5	5.5	34 X 9.5
12G6N40H4Y	120.0	480	3	4	144.3	2.16	7.5 X 41.5	33	11.5 X 37

Hi-Temp Duct - Type G

80 kW - 120 kW

Watt Density: 15

Gaumer Catalog Number	kW:	Volts:	Phase	Quantity Circuits	Total Amps	Face Area (Sq. Ft.)	Heater Duct Dim. Ht.x Lgth.(Inches)	Depth (Inches)	Heater Flange Ht.x Wdth.(Inches)
12G12N20H4Y	120.0	480	3	4	144.3	2.24	15 X 21.5	33	19 X 37
12G6N43B4S	120.0	480	3	4	144.3	2.32	7.5 X 44.5	33	11.5 X 37
8G6N61B4S	120.0	480	3	4	144.3	3.26	7.5 X 62.5	22	11.5 X 26
8G18N20H4Y	120.0	480	3	4	144.3	3.36	22.5 X 21.5	22	26.5 X 26
8G12N33B4S	120.0	480	3	4	144.3	3.59	15 X 34.5	22	19 X 26
6G12N40H4Y	120.0	480	3	6	144.3	4.32	15 X 41.5	16.5	19 X 20.5
6G24N20H4Y	120.0	480	3	6	144.3	4.48	30 X 21.5	16.5	34 X 20.5
6G12N43B4S	120.0	480	3	6	144.3	4.64	15 X 44.5	16.5	19 X 20.5
4G18N40H4Y	120.0	480	3	6	144.3	6.48	22.5 X 41.5	11	26.5 X 15
4G12N61B4S	120.0	480	3	6	144.3	6.51	15 X 62.5	11	19 X 15
4G18N43B4S	120.0	480	3	6	144.3	6.95	22.5 X 44.5	11	26.5 X 15
4G24N33B4S	120.0	480	3	6	144.3	7.19	30 X 34.5	11	34 X 15
3G24N40H4Y	120.0	480	3	3	144.3	8.65	30 X 41.5	8.25	34 X 12.25
3G24N43B4S	120.0	480	3	3	144.3	9.27	30 X 44.5	8.25	34 X 12.25
2G48N33B4S	120.0	480	3	2	144.3	12.58	52.5 X 34.5	5.5	56.5 X 9.5
2G36N40H4Y	120.0	480	3	2	144.3	12.97	45 X 41.5	5.5	49 X 9.5
2G24N61B4S	120.0	480	3	2	144.3	13.02	30 X 62.5	5.5	34 X 9.5
2G36N43B4S	120.0	480	3	2	144.3	13.44	45 X 43	5.5	49 X 9.5
1G72N40H4Y	120.0	480	3	3	144.3	25.94	90 X 41.5	2.75	94 X 6.75
1G48N61B4S	120.0	480	3	3	144.3	26.04	60 X 62.5	2.75	6.75 X 6.75
1G72N43B4S	120.0	480	3	3	144.3	27.81	90 X 44.5	2.75	94 X 6.75
1G60N52H4Y	120.0	480	3	4	144.3	27.86	75 X 53.5	2.75	79 X 6.75

Hi-Temp Duct - Type G

80 kW - 120 kW

Watt Density: 12

Gaumer Catalog Number	kW:	Volts:	Phase	Quantity Circuits	Total Amps	Face Area (Sq. Ft.)	Heater Duct Dim. Ht.x Lgth.(Inches)	Depth (Inches)	Heater Flange Ht.x Wdth.(Inches)
12G18N13H2S	80.4	240	3	2	193.4	2.27	22.5 X 14.5	33	26.5 X 37
12G18N13H4S	80.4	480	3	2	96.7	2.27	22.5 X 14.5	33	26.5 X 37
3G18N48H2S	81.0	240	3	3	194.9	7.73	22.5 X 49.5	8.25	26.5 X 12.25
3G18N48H4S	81.0	480	3	3	97.4	7.73	22.5 X 49.5	8.25	26.5 X 12.25
1G54N52H4S	81.0	480	3	3	97.4	25.08	67.5 X 53.5	2.75	71.5 X 6.75
6G18N25H2S	84.0	240	3	6	202.1	4.14	22.5 X 26.5	16.5	26.5 X 20.5
6G18N25H4S	84.0	480	3	4	101.0	4.14	22.5 X 26.5	16.5	26.5 X 20.5
12G6N40H2S	90.0	240	3	8	216.5	2.16	7.5 X 41.5	33	11.5 X 37
12G12N20H2S	90.0	240	3	8	216.5	2.24	15 X 21.5	33	19 X 37
6G12N40H2S	90.0	240	3	6	216.5	4.32	15 X 41.5	16.5	19 X 20.5
6G24N20H2S	90.0	240	3	6	216.5	4.48	30 X 21.5	16.5	34 X 20.5
3G24N40H2S	90.0	240	3	3	216.5	8.65	30 X 41.5	8.25	34 X 12.25
12G6N40H4S	90.0	480	3	4	108.3	2.16	7.5 X 41.5	33	11.5 X 37
12G12N20H4S	90.0	480	3	4	108.3	2.24	15 X 21.5	33	19 X 37
6G12N40H4S	90.0	480	3	4	108.3	4.32	15 X 41.5	16.5	19 X 20.5
6G24N20H4S	90.0	480	3	4	108.3	4.48	30 X 21.5	16.5	34 X 20.5
3G24N40H4S	90.0	480	3	3	108.3	8.65	30 X 41.5	8.25	34 X 12.25
1G60N52H4S	90.0	480	3	4	108.3	27.86	75 X 53.5	2.75	79 X 6.75
8G18N20H2S	90.4	240	3	8	217.5	3.36	22.5 X 21.5	22	26.5 X 26
8G18N20H4S	90.4	480	3	4	108.7	3.36	22.5 X 21.5	22	26.5 X 26
4G18N40H2S	92.0	240	3	6	221.3	6.48	22.5 X 41.5	11	26.5 X 15
4G18N40H4S	92.0	480	3	4	110.7	6.48	22.5 X 41.5	11	26.5 X 15
8G12N33H2S	96.0	240	3	8	230.9	3.59	15 X 34.5	22	19 X 26
8G24N18H2S	96.0	240	3	8	230.9	4.06	30 X 19.5	22	34 X 26
4G24N33H2S	96.0	240	3	6	230.9	7.19	30 X 34.5	11	34 X 15
8G12N33H4S	96.0	480	3	4	115.5	3.59	15 X 34.5	22	19 X 26
8G24N18H4S	96.0	480	3	4	115.5	4.06	30 X 19.5	22	34 X 26
4G24N33H4S	96.0	480	3	4	115.5	7.19	30 X 34.5	11	34 X 15
3G12N78H2S	99.0	240	3	3	238.2	8.28	15 X 79.5	8.25	19 X 12.25
3G12N78H4S	99.0	480	3	3	119.1	8.28	15 X 79.5	8.25	19 X 12.25
4G12N61H2S	100.0	240	3	6	240.6	6.51	15 X 62.5	11	19 X 15
2G18N78H2S	100.0	240	3	3	240.6	12.42	22.5 X 79.5	5.5	26.5 X 9.5
2G24N61H2S	100.0	240	3	4	240.6	13.02	30 X 62.5	5.5	34 X 9.5
4G12N61H4S	100.0	480	3	4	120.3	6.51	15 X 62.5	11	19 X 15
2G18N78H4S	100.0	480	3	2	120.3	12.42	22.5 X 79.5	5.5	26.5 X 9.5
2G24N61H4S	100.0	480	3	2	120.3	13.02	30 X 62.5	5.5	34 X 9.5
1G48N61H4S	100.0	480	3	4	120.3	22.79	52.5 X 62.5	2.75	56.5 X 6.75
1G36N78H4S	100.0	480	3	3	120.3	24.84	45 X 79.5	2.75	49 X 6.75
8G6N61H2S	104.0	240	3	8	250.2	3.26	7.5 X 62.5	22	11.5 X 26
8G6N61H4S	104.0	480	3	4	125.1	3.26	7.5 X 62.5	22	11.5 X 26
12G6N48H2S	108.0	240	3	8	259.8	2.58	7.5 X 49.5	33	11.5 X 37
12G12N25H2S	108.0	240	3	8	259.8	2.76	15 X 26.5	33	19 X 37
12G24N13H2S	108.0	240	3	8	259.8	3.02	30 X 14.5	33	34 X 37
12G18N18H2S	108.0	240	3	8	259.8	3.05	22.5 X 19.5	33	26.5 X 37
6G12N48H2S	108.0	240	3	6	259.8	5.16	15 X 49.5	16.5	19 X 20.5
6G18N33H2S	108.0	240	3	6	259.8	5.39	22.5 X 34.5	16.5	26.5 X 20.5
6G24N25H2S	108.0	240	3	6	259.8	5.52	30 X 26.5	16.5	34 X 20.5

Hi-Temp Duct - Type G

80 kW - 120 kW

Watt Density: 12

Gaumer Catalog Number	kW:	Volts:	Phase	Quantity Circuits	Total Amps	Face Area (Sq. Ft.)	Heater Duct Dim. Ht.x Lgth.(Inches)	Depth (Inches)	Heater Flange Ht.x Wdth.(Inches)
4G18N48H2S	108.0	240	3	6	259.8	7.73	22.5 X 49.5	11	26.5 X 15
3G24N48H2S	108.0	240	3	3	259.8	10.31	30 X 49.5	8.25	34 X 12.25
12G6N48H4S	108.0	480	3	4	129.9	2.58	7.5 X 49.5	33	11.5 X 37
12G12N25H4S	108.0	480	3	4	129.9	2.76	15 X 26.5	33	19 X 37
12G24N13H4S	108.0	480	3	4	129.9	3.02	30 X 14.5	33	34 X 37
12G18N18H4S	108.0	480	3	4	129.9	3.05	22.5 X 19.5	33	26.5 X 37
6G12N48H4S	108.0	480	3	4	129.9	5.16	15 X 49.5	16.5	19 X 20.5
6G18N33H4S	108.0	480	3	4	129.9	5.39	22.5 X 34.5	16.5	26.5 X 20.5
6G24N25H4S	108.0	480	3	4	129.9	5.52	30 X 26.5	16.5	34 X 20.5
4G18N48H4S	108.0	480	3	4	129.9	7.73	22.5 X 49.5	11	26.5 X 15
3G24N48H4S	108.0	480	3	3	129.9	10.31	30 X 49.5	8.25	34 X 12.25
2G36N52H4S	108.0	480	3	2	129.9	16.72	45 X 53.5	5.5	49 X 9.5
1G72N52H4S	108.0	480	3	3	129.9	33.44	90 X 53.5	2.75	94 X 6.75
8G18N25H2S	112.0	240	3	8	269.4	4.14	22.5 X 26.5	22	26.5 X 26
2G18N88H4D	112.0	240	3	3	269.4	13.98	22.5 X 89.5	5.5	26.5 X 9.5
8G18N25H4S	112.0	480	3	4	134.7	4.14	22.5 X 26.5	22	26.5 X 26
2G18N88H4S	112.0	480	3	2	134.7	13.98	22.5 X 89.5	5.5	26.5 X 9.5
1G36N88H4S	112.0	480	3	3	134.7	27.97	45 X 89.5	2.75	49 X 6.75
1G54N61H4S	113.0	480	3	3	135.9	29.30	67.5 X 62.5	2.75	71.5 X 6.75
3G12N88H4D	114.0	240	3	3	274.2	9.32	15 X 89.5	8.25	19 X 12.25
3G18N61H2S	114.0	240	3	3	274.2	9.77	22.5 X 62.5	8.25	26.5 X 12.25
3G18N61H4S	114.0	480	3	3	137.1	3.05	22.5 X 19.5	8.25	26.5 X 12.25
3G12N88H4S	114.0	480	3	3	137.1	9.32	15 X 89.5	8.25	19 X 12.25
8G12N40H2S	120.0	240	3	12	288.7	4.32	15 X 41.5	22	19 X 26
8G24N20H2S	120.0	240	3	12	288.7	4.48	30 X 21.5	22	34 X 26
4G24N40H2S	120.0	240	3	6	288.7	8.65	30 X 41.5	11	34 X 15
8G12N40H4S	120.0	480	3	4	144.3	4.32	15 X 41.5	22	19 X 26
8G24N20H4S	120.0	480	3	4	144.3	4.48	30 X 21.5	22	34 X 26
4G24N40H4S	120.0	480	3	6	144.3	8.65	30 X 41.5	11	34 X 15

Hi-Temp Duct - Type G

80 kW - 120 kW

Watt Density: 8

Gaumer Catalog Number	kW:	Volts:	Phase	Quantity Circuits	Total Amps	Face Area (Sq. Ft.)	Heater Duct Dim. Ht.x Lgth.(Inches)	Depth (Inches)	Heater Flange Ht.x Wdth.(Inches)
8G6N77M2Y	80.0	240	3	2	192.5	4.09	7.5 X 78.5	22	11.5 X 26
8G12N40M2Y	80.0	240	3	2	192.5	4.32	15 X 41.5	22	19 X 26
4G12N77M2Y	80.0	240	3	6	192.5	8.18	15 X 78.5	11	19 X 15
8G6N77M4Y	80.0	480	3	2	96.2	4.09	7.5 X 78.5	22	11.5 X 26
8G12N40M4Y	80.0	480	3	2	96.2	4.32	15 X 41.5	22	19 X 26
4G12N77M4Y	80.0	480	3	2	96.2	8.18	15 X 78.5	11	19 X 15
4G18N52M4Y	80.0	480	3	2	96.2	8.36	22.5 X 53.5	11	26.5 X 15
2G24N77M4Y	80.0	480	3	2	96.2	16.35	30 X 78.5	5.5	34 X 9.5
2G36N52M4Y	80.0	480	3	2	96.2	16.72	45 X 53.5	5.5	49 X 9.5
1G48N77M4Y	80.0	480	3	2	96.2	28.62	52.5 X 78.5	2.75	56.5 X 6.75
3G24N52M4Y	81.0	480	3	3	97.4	11.15	30 X 53.5	8.25	34 X 12.25
4G12N88M4Y	88.0	480	3	4	105.9	9.32	15 X 89.5	11	19 X 15
8G6N88M4Y	89.6	480	3	4	107.8	4.66	7.5 X 89.5	22	11.5 X 26
3G18N77M4Y	90.0	480	3	3	108.3	12.27	22.5 X 78.5	8.25	26.5 X 12.25
2G24N88M4Y	90.0	480	3	2	108.3	18.65	30 X 89.5	5.5	34 X 9.5
1G48N88M4Y	90.0	480	3	4	108.3	32.63	52.5 X 89.5	2.75	56.5 X 6.75
1G54N77M4Y	90.0	480	3	3	108.3	36.80	67.5 X 78.5	2.75	71.5 X 6.75
12G12N33M2Y	96.0	240	3	8	230.9	3.59	15 X 34.5	33	19 X 37
8G12N48M2Y	96.0	240	3	8	230.9	5.16	15 X 49.5	22	19 X 26
12G12N33M4Y	96.0	480	3	4	115.5	3.59	15 X 34.5	33	19 X 37
8G12N48M4Y	96.0	480	3	4	115.5	5.16	15 X 49.5	22	19 X 26
12G6N64M2Y	99.6	240	3	8	239.6	3.41	7.5 X 65.5	33	11.5 X 37
12G6N64M4Y	99.6	480	3	4	119.8	3.41	7.5 X 65.5	33	11.5 X 37
1G54N88M4Y	100.0	480	3	3	120.3	41.95	67.5 X 89.5	2.75	71.5 X 6.75
6G12N64M2Y	102.0	240	3	6	245.4	6.82	15 X 65.5	16.5	19 X 20.5
6G12N64M4Y	102.0	480	3	4	122.7	6.82	15 X 65.5	16.5	19 X 20.5
3G24N64M4Y	102.0	480	3	3	122.7	13.65	30 X 65.5	8.25	34 X 12.25
3G18N88M4Y	102.0	480	3	3	122.7	13.98	22.5 X 89.5	8.25	26.5 X 12.25
2G36N64M4Y	102.0	480	3	2	122.7	20.47	45 X 65.5	5.5	49 X 9.5
8G12N52M2Y	104.0	240	3	8	250.2	5.57	15 X 53.5	22	19 X 26
8G12N52M4Y	104.0	480	3	4	125.1	5.57	15 X 53.5	22	19 X 26
4G18N64M4Y	104.0	480	3	4	125.1	10.23	22.5 X 65.5	11	26.5 X 15
2G48N52M4Y	106.0	480	3	2	127.5	19.51	52.5 X 53.5	5.5	56.5 X 9.5
4G24N52M4Y	108.0	480	3	4	129.9	11.15	30 X 53.5	11	34 X 15
12G6N77M2Y	120.0	240	3	12	288.7	4.09	7.5 X 78.5	33	11.5 X 37
12G12N40M2Y	120.0	240	3	12	288.7	4.32	15 X 41.5	33	19 X 37
6G12N77M2Y	120.0	240	3	6	288.7	8.18	15 X 78.5	16.5	19 X 20.5
12G6N77M4Y	120.0	480	3	4	144.3	4.09	7.5 X 78.5	33	11.5 X 37
12G12N40M4Y	120.0	480	3	4	144.3	4.32	15 X 41.5	33	19 X 37
6G12N77M4Y	120.0	480	3	6	144.3	8.18	15 X 78.5	16.5	19 X 20.5
6G18N52M4Y	120.0	480	3	6	144.3	8.36	22.5 X 53.5	16.5	26.5 X 20.5
4G18N77M4Y	120.0	480	3	6	144.3	12.27	22.5 X 78.5	11	26.5 X 15
3G24N77M4Y	120.0	480	3	3	144.3	16.35	30 X 78.5	8.25	34 X 12.25
3G36N52M4Y	120.0	480	3	3	144.3	16.72	45 X 53.5	8.25	49 X 12.25
2G36N77M4Y	120.0	480	3	2	144.3	24.53	45 X 78.5	5.5	49 X 9.5
2G54N52M4Y	120.0	480	3	2	144.3	25.08	67.5 X 53.5	5.5	71.5 X 9.5

Hi-Temp Duct - Type G

80 kW - 120 kW

Watt Density: 6

Gaumer Catalog Number	kW:	Volts:	Phase	Quantity Circuits	Total Amps	Face Area (Sq. Ft.)	Heater Duct Dim. Ht.x Lgth.(Inches)	Depth (Inches)	Heater Flange Ht.x Wdth.(Inches)
8G12N52M2S	80.0	240	3	2	192.5	5.57	15 X 53.5	22	19 X 26
4G24N52M2S	80.0	240	3	6	192.5	11.15	30 X 53.5	11	34 X 15
2G48N52M2S	80.0	240	3	2	192.5	19.51	52.5 X 53.5	5.5	56.5 X 9.5
8G12N52M4S	80.0	480	3	2	96.2	5.57	15 X 53.5	22	19 X 26
4G24N52M4S	80.0	480	3	2	96.2	11.15	30 X 53.5	11	34 X 15
2G48N52M4S	80.0	480	3	2	96.2	19.51	52.5 X 53.5	5.5	56.5 X 9.5
3G36N48M2S	81.0	240	3	3	194.9	15.47	45 X 49.5	8.25	49 X 12.25
3G36N48M4S	81.0	480	3	3	97.4	15.47	45 X 49.5	8.25	49 X 12.25
6G18N48M2S	84.0	240	3	6	202.1	7.73	22.5 X 49.5	16.5	26.5 X 20.5
6G18N48M4S	84.0	480	3	4	101.0	7.73	22.5 X 49.5	16.5	26.5 X 20.5
1G60N88M4S	84.0	480	3	4	101.0	46.61	75 X 89.5	2.75	79 X 6.75
4G36N40M2S	88.0	240	3	6	211.7	12.97	45 X 41.5	11	49 X 15
4G36N40M4S	88.0	480	3	4	105.9	12.97	45 X 41.5	11	49 X 15
8G18N40M2S	89.6	240	3	8	215.6	6.48	22.5 X 41.5	22	26.5 X 26
8G18N40M4S	89.6	480	3	4	107.8	6.48	22.5 X 41.5	22	26.5 X 26
12G6N77M2S	90.0	240	3	8	216.5	4.09	7.5 X 78.5	33	11.5 X 37
12G12N40M2S	90.0	240	3	8	216.5	4.32	15 X 41.5	33	19 X 37
6G12N77M2S	90.0	240	3	6	216.5	8.18	15 X 78.5	16.5	19 X 20.5
6G18N52M2S	90.0	240	3	6	216.5	8.36	22.5 X 53.5	16.5	26.5 X 20.5
6G24N40M2S	90.0	240	3	6	216.5	8.65	30 X 41.5	16.5	34 X 20.5
3G48N40M2S	90.0	240	3	3	216.5	15.13	52.5 X 41.5	8.25	56.5 X 12.25
3G24N77M2S	90.0	240	3	3	216.5	16.35	30 X 78.5	8.25	34 X 12.25
3G36N52M2S	90.0	240	3	3	216.5	16.72	45 X 53.5	8.25	49 X 12.25
3G60N33M2S	90.0	240	3	3	216.5	17.97	75 X 34.5	8.25	79 X 12.25
2G36N77M2S	90.0	240	3	3	216.5	24.53	45 X 78.5	5.5	49 X 9.5
2G60N48M2S	90.0	240	3	4	216.5	25.78	75 X 49.5	5.5	79 X 9.5
12G6N77M4S	90.0	480	3	4	108.3	4.09	7.5 X 78.5	33	11.5 X 37
12G12N40M4S	90.0	480	3	4	108.3	4.32	15 X 41.5	33	19 X 37
6G12N77M4S	90.0	480	3	4	108.3	8.18	15 X 78.5	16.5	19 X 20.5
6G18N52M4S	90.0	480	3	4	108.3	8.36	22.5 X 53.5	16.5	26.5 X 20.5
6G24N40M4S	90.0	480	3	4	108.3	8.65	30 X 41.5	16.5	34 X 20.5
3G48N40M4S	90.0	480	3	3	108.3	15.13	52.5 X 41.5	8.25	56.5 X 12.25
3G24N77M4S	90.0	480	3	3	108.3	16.35	30 X 78.5	8.25	34 X 12.25
3G36N52M4S	90.0	480	3	3	108.3	16.72	45 X 53.5	8.25	49 X 12.25
3G60N33M4S	90.0	480	3	3	108.3	17.97	75 X 34.5	8.25	79 X 12.25
2G36N77M4S	90.0	480	3	2	108.3	24.53	45 X 78.5	5.5	49 X 9.5
2G72N40M2S	90.0	480	3	2	108.3	25.00	90 X 40	5.5	94 X 9.5
2G60N48M4S	90.0	480	3	2	108.3	25.78	75 X 49.5	5.5	79 X 9.5
2G72N40M4S	90.0	480	3	2	108.3	25.94	90 X 41.5	5.5	94 X 9.5
1G72N77M2S	90.0	480	3	3	108.3	48.13	90 X 77	2.75	94 X 6.75
1G72N77M4S	90.0	480	3	3	108.3	49.06	90 X 78.5	2.75	94 X 6.75
4G18N77M2S	92.0	240	3	6	221.3	12.27	22.5 X 78.5	11	26.5 X 15
4G18N77M4S	92.0	480	3	4	110.7	12.27	22.5 X 78.5	11	26.5 X 15
8G24N33M2S	96.0	240	3	8	230.9	7.19	30 X 34.5	22	34 X 26
4G48N33M2S	96.0	240	3	6	230.9	12.58	52.5 X 34.5	11	56.5 X 15
8G24N33M4S	96.0	480	3	4	115.5	7.19	30 X 34.5	22	34 X 26
4G48N33M4S	96.0	480	3	4	115.5	12.58	52.5 X 34.5	11	56.5 X 15

Hi-Temp Duct - Type G

80 kW - 120 kW

Watt Density: 6

Gaumer Catalog Number	kW:	Volts:	Phase	Quantity Circuits	Total Amps	Face Area (Sq. Ft.)	Heater Duct Dim. Ht.x Lgth.(Inches)	Depth (Inches)	Heater Flange Ht.x Wdth.(Inches)
4G24N64M2S	100.0	240	3	6	240.6	13.65	30 X 65.5	11	34 X 15
2G60N52M2S	100.0	240	3	4	240.6	27.86	75 X 53.5	5.5	79 X 9.5
4G24N64M4S	100.0	480	3	4	120.3	13.65	30 X 65.5	11	34 X 15
4G18N88M4S	100.0	480	3	4	120.3	13.98	22.5 X 89.5	11	26.5 X 15
2G60N52M4S	100.0	480	3	2	120.3	27.86	75 X 53.5	5.5	79 X 9.5
2G36N88M4S	100.0	480	3	2	120.3	27.97	45 X 89.5	5.5	49 X 9.5
12G6N88M4S	100.8	480	3	4	121.2	4.66	7.5 X 89.5	33	11.5 X 37
1G72N88M4S	101.0	480	3	3	121.5	55.94	90 X 89.5	2.75	94 X 6.75
2G48N64M2S	102.0	240	3	4	245.4	23.88	52.5 X 65.5	5.5	56.5 X 9.5
6G12N88M4S	102.0	480	3	4	122.7	9.32	15 X 89.5	16.5	19 X 20.5
3G24N88M4S	102.0	480	3	3	122.7	18.65	30 X 89.5	8.25	34 X 12.25
2G48N64M4S	102.0	480	3	2	122.7	23.88	52.5 X 65.5	5.5	56.5 X 9.5
8G12N64M2S	104.0	240	3	8	250.2	6.82	15 X 65.5	22	19 X 26
8G12N64M4S	104.0	480	3	4	125.1	6.82	15 X 65.5	22	19 X 26
12G12N48M2S	108.0	240	3	8	259.8	5.16	15 X 49.5	33	19 X 37
12G18N33M2S	108.0	240	3	8	259.8	5.39	22.5 X 34.5	33	26.5 X 37
6G24N48M2S	108.0	240	3	6	259.8	10.31	30 X 49.5	16.5	34 X 20.5
6G36N33M2S	108.0	240	3	6	259.8	10.78	45 X 34.5	16.5	49 X 20.5
4G36N48M2S	108.0	240	3	6	259.8	15.47	45 X 49.5	11	49 X 15
3G48N48M2S	108.0	240	3	3	259.8	18.05	52.5 X 49.5	8.25	56.5 X 12.25
12G12N48M4S	108.0	480	3	4	129.9	5.16	15 X 49.5	33	19 X 37
12G18N33M4S	108.0	480	3	4	129.9	5.39	22.5 X 34.5	33	26.5 X 37
6G24N48M4S	108.0	480	3	4	129.9	10.31	30 X 49.5	16.5	34 X 20.5
6G36N33M4S	108.0	480	3	4	129.9	10.78	45 X 34.5	16.5	49 X 20.5
4G36N48M4S	108.0	480	3	4	129.9	15.47	45 X 49.5	11	49 X 15
3G48N48M4S	108.0	480	3	3	129.9	18.05	52.5 X 49.5	8.25	56.5 X 12.25
3G72N33M2S	108.0	480	3	3	129.9	20.63	90 X 33	8.25	94 X 12.25
3G72N33M4S	108.0	480	3	3	129.9	21.56	90 X 34.5	8.25	94 X 12.25
2G72N48M2S	108.0	480	3	2	129.9	30.00	90 X 48	5.5	94 X 9.5
2G72N48M4S	108.0	480	3	2	129.9	30.94	90 X 49.5	5.5	94 X 9.5
8G18N48M2S	112.0	240	3	8	269.4	7.73	22.5 X 49.5	22	26.5 X 26
8G18N48M4S	112.0	480	3	4	134.7	7.73	22.5 X 49.5	22	26.5 X 26
6G18N64M2S	114.0	240	3	6	274.2	10.23	22.5 X 65.5	16.5	26.5 X 20.5
3G36N64M2S	114.0	240	3	3	274.2	20.47	45 X 65.5	8.25	49 X 12.25
3G60N40M2S	114.0	240	3	3	274.2	21.61	75 X 41.5	8.25	79 X 12.25
6G18N64M4S	114.0	480	3	4	137.1	10.23	22.5 X 65.5	16.5	26.5 X 20.5
3G36N64M4S	114.0	480	3	3	137.1	20.47	45 X 65.5	8.25	49 X 12.25
3G60N40M4S	114.0	480	3	3	137.1	21.61	75 X 41.5	8.25	79 X 12.25
12G12N52M2S	120.0	240	3	12	288.7	5.57	15 X 53.5	33	19 X 37
8G12N77M2S	120.0	240	3	12	288.7	8.18	15 X 78.5	22	19 X 26
8G18N52M2S	120.0	240	3	12	288.7	8.36	22.5 X 53.5	22	26.5 X 26
8G24N40M2S	120.0	240	3	12	288.7	8.65	30 X 41.5	22	34 X 26
6G24N52M2S	120.0	240	3	6	288.7	11.15	30 X 53.5	16.5	34 X 20.5
4G48N40M2S	120.0	240	3	6	288.7	15.13	52.5 X 41.5	11	56.5 X 15
4G24N77M2S	120.0	240	3	6	288.7	16.35	30 X 78.5	11	34 X 15
4G36N52M2S	120.0	240	3	6	288.7	16.72	45 X 53.5	11	49 X 15
4G60N33M2S	120.0	240	3	6	288.7	17.97	75 X 34.5	11	79 X 15

Hi-Temp Duct - Type G

80 kW - 120 kW

Watt Density: 6

Gaumer Catalog Number	kW:	Volts:	Phase	Quantity Circuits	Total Amps	Face Area (Sq. Ft.)	Heater Duct Dim. Ht.x Lgth.(Inches)	Depth (Inches)	Heater Flange Ht.x Wdth.(Inches)
3G48N52M2S	120.0	240	3	3	288.7	19.51	52.5 X 53.5	8.25	56.5 X 12.25
2G48N77M2S	120.0	240	3	4	288.7	28.62	52.5 X 78.5	5.5	56.5 X 9.5
12G12N52M4S	120.0	480	3	4	144.3	5.57	15 X 53.5	33	19 X 37
8G12N77M4S	120.0	480	3	4	144.3	8.18	15 X 78.5	22	19 X 26
8G18N52M4S	120.0	480	3	4	144.3	8.36	22.5 X 53.5	22	26.5 X 26
8G24N40M4S	120.0	480	3	4	144.3	8.65	30 X 41.5	22	34 X 26
6G24N52M4S	120.0	480	3	6	144.3	11.15	30 X 53.5	16.5	34 X 20.5
4G48N40M4S	120.0	480	3	6	144.3	15.13	52.5 X 41.5	11	56.5 X 15
4G24N77M4S	120.0	480	3	6	144.3	16.35	30 X 78.5	11	34 X 15
4G36N52M4S	120.0	480	3	6	144.3	16.72	45 X 53.5	11	49 X 15
4G60N33M4S	120.0	480	3	6	144.3	17.97	75 X 34.5	11	79 X 15
3G48N52M4S	120.0	480	3	3	144.3	19.51	52.5 X 53.5	8.25	56.5 X 12.25
2G48N77M4S	120.0	480	3	2	144.3	28.62	52.5 X 78.5	5.5	56.5 X 9.5
2G72N52M2S	120.0	480	3	2	144.3	32.50	90 X 52	5.5	94 X 9.5
2G72N52M4S	120.0	480	3	2	144.3	33.44	90 X 53.5	5.5	94 X 9.5

Hi-Temp Duct - Type G

80 kW - 120 kW

Watt Density: 4

Gaumer Catalog Number	kW:	Volts:	Phase	Quantity Circuits	Total Amps	Face Area (Sq. Ft.)	Heater Duct Dim. Ht.x Lgth.(Inches)	Depth (Inches)	Heater Flange Ht.x Wdth.(Inches)
8G24N40H4SY	80.0	480	3	2	96.2	8.65	30 X 41.5	22	34 X 26
3G54N52H4SY	81.0	480	3	3	97.4	25.08	67.5 X 53.5	8.25	71.5 X 12.25
2G60N61H4SY	84.0	480	3	2	101.0	32.55	75 X 62.5	5.5	79 X 9.5
4G24N78H4SY	88.0	480	3	4	105.9	16.56	30 X 79.5	11	34 X 15
2G48N78H4SY	88.0	480	3	2	105.9	28.98	52.5 X 79.5	5.5	56.5 X 9.5
8G12N78H4SY	88.8	480	3	4	106.8	8.28	15 X 79.5	22	19 X 26
12G18N40H4SY	90.0	480	3	4	108.3	6.48	22.5 X 41.5	33	26.5 X 37
3G60N52H4SY	90.0	480	3	3	108.3	27.86	75 X 53.5	8.25	79 X 12.25
12G24N33H4SY	96.0	480	3	4	115.5	7.19	30 X 34.5	33	34 X 37
8G24N48H4SY	96.0	480	3	4	115.5	10.31	30 X 49.5	22	34 X 26
4G48N52H4SY	96.0	480	3	4	115.5	19.51	52.5 X 53.5	11	56.5 X 15
3G48N61H4SY	99.0	480	3	3	119.1	22.79	52.5 X 62.5	8.25	56.5 X 12.25
3G36N78H4SY	99.0	480	3	3	119.1	24.84	45 X 79.5	8.25	49 X 12.25
12G12N61H4SY	99.6	480	3	4	119.8	6.51	15 X 62.5	33	19 X 37
4G24N88H4SY	100.0	480	3	4	120.3	18.65	30 X 89.5	11	34 X 15
2G54N78H4SY	100.0	480	3	2	120.3	37.27	67.5 X 79.5	5.5	71.5 X 9.5
2G72N61H4SY	100.0	480	3	2	120.3	39.06	90 X 62.5	5.5	94 X 9.5
6G18N78H4SY	102.0	480	3	4	122.7	12.42	22.5 X 79.5	16.5	26.5 X 20.5
6G24N61H4SY	102.0	480	3	4	122.7	13.02	30 X 62.5	16.5	34 X 20.5
8G18N61H4SY	104.0	480	3	4	125.1	3.05	22.5 X 19.5	22	26.5 X 26
12G18N48H4SY	108.0	480	3	4	129.9	7.73	22.5 X 49.5	33	26.5 X 37
4G54N52H4SY	108.0	480	3	4	129.9	25.08	67.5 X 53.5	11	71.5 X 15
2G48N88H4SY	108.0	480	3	2	129.9	32.63	52.5 X 89.5	5.5	56.5 X 9.5
3G72N52H4SY	108.0	480	3	3	129.9	33.44	90 X 53.5	8.25	94 X 12.25
2G60N78H4SY	112.0	480	3	2	134.7	41.41	75 X 79.5	5.5	79 X 9.5
2G54N88H4SY	112.0	480	3	2	134.7	41.95	67.5 X 89.5	5.5	71.5 X 9.5
6G18N88H4SY	114.0	480	3	4	137.1	13.98	22.5 X 89.5	16.5	26.5 X 20.5
3G36N88H4SY	114.0	480	3	3	137.1	27.97	45 X 89.5	8.25	49 X 12.25
3G54N61H4SY	114.0	480	3	3	137.1	29.30	67.5 X 62.5	8.25	71.5 X 12.25
12G24N40H4SY	120.0	480	3	4	144.3	8.65	30 X 41.5	33	34 X 37
4G60N52H4SY	120.0	480	3	6	144.3	27.86	75 X 53.5	11	79 X 15

GAUMER PROCESS

HEATERS
SYSTEMS
CONTROLS

APPLICATIONS

The Gaumer Electric Process Type G Duct Heater is designed for rugged duty where air must be heated to temperatures higher than what would be normal for comfort heating. Temperatures as high as 1100° F are possible if the heater is properly selected. Contact Gaumer Process for assistance in selecting Type G Duct Heaters.

HEATER SELECTION

One (1G-----) Row Coil

For heating large quantities of re-circulated air thru a very small temperature rise (to 20 degrees) resulting in a low pressure drop and low heater face velocity (300-1000 fpm).

Two (2G-----) or Three (3G-----) Row Coil

For heating large quantities of re-circulated air thru a temperature rise (10 to 50 degrees) resulting in a normal pressure drop and average heater face velocity (500-2000 fpm).

Three (3G-----) or Four (4G-----) Row Coil

For average quantities of air thru a normal temperature rise (50-100 degrees) resulting in a low pressure drop and low heater face velocity (500-2000 fpm).

Six(6G--), Eight(8G--), or Twelve(12G---) Row Coil

For average quantities of air thru a higher than normal temperature rise (100-600 degrees).

SPECIAL FEATURES

- INS Insulated Section on Element Side of Flange
- SPT Flange Attached Spacer Assembly
- SS Stainless Steel Flange
- W Wattage Other Than Cataloged
- V Voltage Other Than Cataloged
- ER Explosion Resistant Construction
- LT Weatherproof Construction
- J(K) Additional Sheath Sensing Thermocouple for Overheat Protection
- HTR Space Heater Mounted in Terminal Enclosure
- X Special Feature not Listed Above

Hi-Temp Duct - Type G 120 kW - 180 kW



STANDARD FEATURES

Heating Elements

- Incoloy 800 Sheath Material
- Heavy Wall (.035 in.)
- Large Diameter (.475 in.)
- Sealed Terminals

Standard Features

- High Temp Alloy Spacers
- Gaumer "Evenflow" Configuration
- Type K TC for Overheat Protection
- Insulated Terminal Section

Construction

- Welded Heating Elements
- Welded Spacers

Installation

- Flying Leadwires Provided
- Only Standard Materials Needed in Field

Service

- Wiring Modifiable in Field
- Assembly Repairable at Factory

Hi-Temp Duct - Type G

120 kW - 180 kW

Watt Density: 23

Gaumer Catalog Number	kW:	Volts:	Phase	Quantity Circuits	Total Amps	Face Area (Sq. Ft.)	Heater Duct Dim. Ht.x Lgth.(Inches)	Depth (Inches)	Heater Flange Ht.x Wdth.(Inches)
8G6N40M2	120.0	240	3	12	288.7	2.16	7.5 X 41.5	22	11.5 X 26
8G12N20M2	120.0	240	3	12	288.7	2.24	15 X 21.5	22	19 X 26
4G12N40M2	120.0	240	3	6	288.7	4.32	15 X 41.5	11	19 X 15
4G24N20M2	120.0	240	3	6	288.7	4.48	30 X 21.5	11	34 X 15
3G12N52M2	120.0	240	3	3	288.7	5.57	15 X 53.5	8.25	19 X 12.25
2G12N77M2	120.0	240	3	4	288.7	8.18	15 X 78.5	5.5	19 X 9.5
2G18N52M2	120.0	240	3	3	288.7	8.36	22.5 X 53.5	5.5	26.5 X 9.5
2G24N40M2	120.0	240	3	4	288.7	8.65	30 X 41.5	5.5	34 X 9.5
1G24N77M2	120.0	240	3	8	288.7	16.35	30 X 78.5	2.75	34 X 6.75
8G6N40M4	120.0	480	3	4	144.3	2.16	7.5 X 41.5	22	11.5 X 26
8G12N20M4	120.0	480	3	4	144.3	2.24	15 X 21.5	22	19 X 26
4G12N40M4	120.0	480	3	6	144.3	4.32	15 X 41.5	11	19 X 15
4G24N20M4	120.0	480	3	6	144.3	4.48	30 X 21.5	11	34 X 15
3G12N52M4	120.0	480	3	3	144.3	5.57	15 X 53.5	8.25	19 X 12.25
2G48N20M4	120.0	480	3	2	144.3	7.84	52.5 X 21.5	5.5	56.5 X 9.5
2G12N77M4	120.0	480	3	2	144.3	8.18	15 X 78.5	5.5	19 X 9.5
2G18N52M4	120.0	480	3	2	144.3	8.36	22.5 X 53.5	5.5	26.5 X 9.5
2G24N40M4	120.0	480	3	2	144.3	8.65	30 X 41.5	5.5	34 X 9.5
1G48N40M4	120.0	480	3	3	144.3	15.13	52.5 X 41.5	2.75	56.5 X 6.75
1G24N77M4	120.0	480	3	4	144.3	16.35	30 X 78.5	2.75	34 X 6.75
1G36N52M4	120.0	480	3	3	144.3	16.72	45 X 53.5	2.75	49 X 6.75
2G12N88M4	134.0	480	3	2	161.2	9.32	15 X 89.5	5.5	19 X 9.5
1G24N88M4	134.0	480	3	4	161.2	18.65	30 X 89.5	2.75	34 X 6.75
3G18N40M2	135.0	240	3	3	324.8	6.48	22.5 X 41.5	8.25	26.5 X 12.25
3G36N20M4	135.0	480	3	3	162.4	6.25	45 X 20	8.25	49 X 12.25
3G18N40M4	135.0	480	3	3	162.4	6.48	22.5 X 41.5	8.25	26.5 X 12.25
1G54N40M4	135.0	480	3	9	162.4	19.45	67.5 X 41.5	2.75	71.5 X 6.75
6G18N20M2	138.0	240	3	9	332.0	3.36	22.5 X 21.5	16.5	26.5 X 20.5
6G18N20M4	138.0	480	3	6	166.0	3.36	22.5 X 21.5	16.5	26.5 X 20.5
12G6N33M2	144.0	240	3	12	346.4	1.80	7.5 X 34.5	33	11.5 X 37
12G12N18M2	144.0	240	3	12	346.4	2.03	15 X 19.5	33	19 X 37
8G6N48M2	144.0	240	3	12	346.4	2.58	7.5 X 49.5	22	11.5 X 26
8G12N25M2	144.0	240	3	12	346.4	2.76	15 X 26.5	22	19 X 26
8G18N18M2	144.0	240	3	12	346.4	3.05	22.5 X 19.5	22	26.5 X 26
6G12N33M2	144.0	240	3	12	346.4	3.59	15 X 34.5	16.5	19 X 20.5
6G24N18M2	144.0	240	3	12	346.4	4.06	30 X 19.5	16.5	34 X 20.5
4G12N48M2	144.0	240	3	8	346.4	5.16	15 X 49.5	11	19 X 15
4G18N33M2	144.0	240	3	12	346.4	5.39	22.5 X 34.5	11	26.5 X 15
4G24N25M2	144.0	240	3	8	346.4	5.52	30 X 26.5	11	34 X 15
3G24N33M2	144.0	240	3	3	346.4	7.19	30 X 34.5	8.25	34 X 12.25
2G24N48M2	144.0	240	3	4	346.4	10.31	30 X 49.5	5.5	34 X 9.5
12G6N33M4	144.0	480	3	4	173.2	1.80	7.5 X 34.5	33	11.5 X 37
12G12N18M4	144.0	480	3	4	173.2	2.03	15 X 19.5	33	19 X 37
8G6N48M4	144.0	480	3	4	173.2	2.58	7.5 X 49.5	22	11.5 X 26
8G12N25M4	144.0	480	3	4	173.2	2.76	15 X 26.5	22	19 X 26
8G18N18M4	144.0	480	3	4	173.2	3.05	22.5 X 19.5	22	26.5 X 26
6G12N33M4	144.0	480	3	6	173.2	3.59	15 X 34.5	16.5	19 X 20.5

Hi-Temp Duct - Type G

120 kW - 180 kW

Watt Density: 23

Gaumer Catalog Number	kW:	Volts:	Phase	Quantity Circuits	Total Amps	Face Area (Sq. Ft.)	Heater Duct Dim. Ht.x Lgth.(Inches)	Depth (Inches)	Heater Flange Ht.x Wdth.(Inches)
6G24N18M4	144.0	480	3	6	173.2	4.06	30 X 19.5	16.5	34 X 20.5
4G12N48M4	144.0	480	3	6	173.2	5.16	15 X 49.5	11	19 X 15
4G18N33M4	144.0	480	3	6	173.2	5.39	22.5 X 34.5	11	26.5 X 15
4G24N25M4	144.0	480	3	6	173.2	5.52	30 X 26.5	11	34 X 15
4G36N18M4	144.0	480	3	6	173.2	5.63	45 X 18	11	49 X 15
3G48N18M4	144.0	480	3	3	173.2	7.11	52.5 X 19.5	8.25	56.5 X 12.25
3G24N33M4	144.0	480	3	3	173.2	7.19	30 X 34.5	8.25	34 X 12.25
2G48N25M4	144.0	480	3	2	173.2	9.66	52.5 X 26.5	5.5	56.5 X 9.5
2G36N33M4	144.0	480	3	2	173.2	10.31	45 X 33	5.5	49 X 9.5
2G24N48M4	144.0	480	3	2	173.2	10.31	30 X 49.5	5.5	34 X 9.5
1G48N48M4	144.0	480	3	4	173.2	18.05	52.5 X 49.5	2.75	56.5 X 6.75
3G12N64M2	150.0	240	3	3	360.8	6.82	15 X 65.5	8.25	19 X 12.25
3G12N64M4	150.0	480	3	3	180.4	6.82	15 X 65.5	8.25	19 X 12.25
1G60N40M4	150.0	480	3	5	180.4	21.61	75 X 41.5	2.75	79 X 6.75
1G36N64M4	153.0	480	3	6	184.0	20.47	45 X 65.5	2.75	49 X 6.75
2G18N64M2	154.0	240	3	6	370.5	10.23	22.5 X 65.5	5.5	26.5 X 9.5
2G18N64M4	154.0	480	3	2	185.2	10.23	22.5 X 65.5	5.5	26.5 X 9.5
8G6N52M2	160.0	240	3	12	384.9	2.79	7.5 X 53.5	22	11.5 X 26
4G12N52M2	160.0	240	3	8	384.9	5.57	15 X 53.5	11	19 X 15
2G24N52M2	160.0	240	3	4	384.9	11.15	30 X 53.5	5.5	34 X 9.5
8G6N52M4	160.0	480	3	2	192.5	2.79	7.5 X 53.5	22	11.5 X 26
4G12N52M4	160.0	480	3	6	192.5	5.57	15 X 53.5	11	19 X 15
2G24N52M4	160.0	480	3	2	192.5	11.15	30 X 53.5	5.5	34 X 9.5
1G48N52M4	160.0	480	3	4	192.5	19.51	52.5 X 53.5	2.75	56.5 X 6.75
6G18N25M2	162.0	240	3	9	389.7	4.14	22.5 X 26.5	16.5	26.5 X 20.5
3G18N48M2	162.0	240	3	3	389.7	7.73	22.5 X 49.5	8.25	26.5 X 12.25
6G18N25M4	162.0	480	3	6	194.9	4.14	22.5 X 26.5	16.5	26.5 X 20.5
3G18N48M4	162.0	480	3	3	194.9	7.73	22.5 X 49.5	8.25	26.5 X 12.25
3G36N25M4	162.0	480	3	3	194.9	7.81	45 X 25	8.25	49 X 12.25
12G6N40M2	180.0	240	3	12	433.0	2.16	7.5 X 41.5	33	11.5 X 37
12G12N20M2	180.0	240	3	12	433.0	2.24	15 X 21.5	33	19 X 37
6G12N40M2	180.0	240	3	12	433.0	4.32	15 X 41.5	16.5	19 X 20.5
6G24N20M2	180.0	240	3	12	433.0	4.48	30 X 21.5	16.5	34 X 20.5
4G18N40M2	180.0	240	3	12	433.0	6.48	22.5 X 41.5	11	26.5 X 15
3G12N77M2	180.0	240	3	3	433.0	8.18	15 X 78.5	8.25	19 X 12.25
3G18N52M2	180.0	240	3	3	433.0	8.36	22.5 X 53.5	8.25	26.5 X 12.25
3G24N40M2	180.0	240	3	3	433.0	8.65	30 X 41.5	8.25	34 X 12.25
2G18N77M2	180.0	240	3	6	433.0	12.27	22.5 X 78.5	5.5	26.5 X 9.5
12G6N40M4	180.0	480	3	8	216.5	2.16	7.5 X 41.5	33	11.5 X 37
12G12N20M4	180.0	480	3	8	216.5	2.24	15 X 21.5	33	19 X 37
6G12N40M4	180.0	480	3	6	216.5	4.32	15 X 41.5	16.5	19 X 20.5
6G24N20M4	180.0	480	3	6	216.5	4.48	30 X 21.5	16.5	34 X 20.5
4G36N20M4	180.0	480	3	6	216.5	6.25	45 X 20	11	49 X 15
4G18N40M4	180.0	480	3	6	216.5	6.48	22.5 X 41.5	11	26.5 X 15
3G48N20M4	180.0	480	3	3	216.5	7.84	52.5 X 21.5	8.25	56.5 X 12.25
3G12N77M4	180.0	480	3	3	216.5	8.18	15 X 78.5	8.25	19 X 12.25
3G18N52M4	180.0	480	3	3	216.5	8.36	22.5 X 53.5	8.25	26.5 X 12.25

Hi-Temp Duct - Type G

120 kW - 180 kW

Watt Density: 23

Gaumer Catalog Number	kW:	Volts:	Phase	Quantity Circuits	Total Amps	Face Area (Sq. Ft.)	Heater Duct Dim. Ht.x Lgth.(Inches)	Depth (Inches)	Heater Flange Ht.x Wdth.(Inches)
3G24N40M4	180.0	480	3	3	216.5	8.65	30 X 41.5	8.25	34 X 12.25
2G18N77M4	180.0	480	3	3	216.5	12.27	22.5 X 78.5	5.5	26.5 X 9.5
2G36N40M4	180.0	480	3	3	216.5	12.50	45 X 40	5.5	49 X 9.5
1G36N77M4	180.0	480	3	6	216.5	24.53	45 X 78.5	2.75	49 X 6.75
1G54N52M4	180.0	480	3	9	216.5	25.08	67.5 X 53.5	2.75	71.5 X 6.75
1G72N40M4	180.0	480	3	6	216.5	25.94	90 X 41.5	2.75	94 X 6.75

Hi-Temp Duct - Type G

120 kW - 180 kW

Watt Density: 20

Gaumer Catalog Number	kW:	Volts:	Phase	Quantity Circuits	Total Amps	Face Area (Sq. Ft.)	Heater Duct Dim. Ht.x Lgth.(Inches)	Depth (Inches)	Heater Flange Ht.x Wdth.(Inches)
12G6N33B2Y	120.0	240	3	12	288.7	1.80	7.5 X 34.5	33	11.5 X 37
6G12N33B2Y	120.0	240	3	6	288.7	3.59	15 X 34.5	16.5	19 X 20.5
4G18N33B2Y	120.0	240	3	6	288.7	5.39	22.5 X 34.5	11	26.5 X 15
3G12N61B2Y	120.0	240	3	3	288.7	6.51	15 X 62.5	8.25	19 X 12.25
3G18N43B2Y	120.0	240	3	3	288.7	6.95	22.5 X 44.5	8.25	26.5 X 12.25
3G24N33B2Y	120.0	240	3	3	288.7	7.19	30 X 34.5	8.25	34 X 12.25
2G18N61B2Y	120.0	240	3	3	288.7	9.77	22.5 X 62.5	5.5	26.5 X 9.5
12G6N33B4Y	120.0	480	3	4	144.3	1.80	7.5 X 34.5	33	11.5 X 37
6G12N33B4Y	120.0	480	3	6	144.3	3.59	15 X 34.5	16.5	19 X 20.5
4G18N33B4Y	120.0	480	3	6	144.3	5.39	22.5 X 34.5	11	26.5 X 15
3G12N61B4Y	120.0	480	3	3	144.3	6.51	15 X 62.5	8.25	19 X 12.25
3G18N43B4Y	120.0	480	3	3	144.3	6.95	22.5 X 44.5	8.25	26.5 X 12.25
3G24N33B4Y	120.0	480	3	3	144.3	7.19	30 X 34.5	8.25	34 X 12.25
2G18N61B4Y	120.0	480	3	2	144.3	9.77	22.5 X 62.5	5.5	26.5 X 9.5
2G36N33B4Y	120.0	480	3	2	144.3	10.78	45 X 34.5	5.5	49 X 9.5
1G36N61B4Y	120.0	480	3	3	144.3	19.53	45 X 62.5	2.75	49 X 6.75
1G54N43B4Y	120.0	480	3	3	144.3	20.86	67.5 X 44.5	2.75	71.5 X 6.75
1G72N33B4Y	120.0	480	3	3	144.3	21.56	90 X 34.5	2.75	94 X 6.75
6G24N18B2Y	126.0	240	3	12	303.1	4.06	30 X 19.5	16.5	34 X 20.5
6G24N18B4Y	126.0	480	3	6	151.6	4.06	30 X 19.5	16.5	34 X 20.5
8G12N25B2Y	128.0	240	3	12	307.9	2.76	15 X 26.5	22	19 X 26
8G18N18B2Y	128.0	240	3	12	307.9	3.05	22.5 X 19.5	22	26.5 X 26
4G24N25B2Y	128.0	240	3	8	307.9	5.52	30 X 26.5	11	34 X 15
8G12N25B4Y	128.0	480	3	4	154.0	2.76	15 X 26.5	22	19 X 26
8G18N18B4Y	128.0	480	3	4	154.0	3.05	22.5 X 19.5	22	26.5 X 26
4G24N25B4Y	128.0	480	3	6	154.0	5.52	30 X 26.5	11	34 X 15
12G12N18B2Y	128.4	240	3	12	308.9	2.03	15 X 19.5	33	19 X 37
12G12N18B4Y	128.4	480	3	4	154.4	2.03	15 X 19.5	33	19 X 37
4G12N52B2Y	132.0	240	3	8	317.6	5.57	15 X 53.5	11	19 X 15
4G12N52B4Y	132.0	480	3	6	158.8	5.57	15 X 53.5	11	19 X 15
1G48N52B4Y	133.0	480	3	4	160.0	22.29	60 X 53.5	2.75	6.75 X 6.75
1G60N43B4Y	133.0	480	3	5	160.0	23.18	75 X 44.5	2.75	79 X 6.75
2G24N52B2Y	134.0	240	3	4	322.4	11.15	30 X 53.5	5.5	34 X 9.5
2G24N52B4Y	134.0	480	3	2	161.2	11.15	30 X 53.5	5.5	34 X 9.5
8G6N52B2Y	136.0	240	3	12	327.2	2.79	7.5 X 53.5	22	11.5 X 26
8G18N20B2Y	136.0	240	3	12	327.2	3.36	22.5 X 21.5	22	26.5 X 26
8G6N52B4Y	136.0	480	3	4	163.6	2.79	7.5 X 53.5	22	11.5 X 26
8G18N20B4Y	136.0	480	3	4	163.6	3.36	22.5 X 21.5	22	26.5 X 26
6G24N20B2Y	138.0	240	3	12	332.0	4.48	30 X 21.5	16.5	34 X 20.5
6G24N20B4Y	138.0	480	3	6	166.0	4.48	30 X 21.5	16.5	34 X 20.5
12G12N20B2Y	139.2	240	3	12	334.9	2.24	15 X 21.5	33	19 X 37
12G12N20B4Y	139.2	480	3	4	167.4	2.24	15 X 21.5	33	19 X 37
6G18N25B2Y	144.0	240	3	9	346.4	4.14	22.5 X 26.5	16.5	26.5 X 20.5
6G18N25B4Y	144.0	480	3	6	173.2	4.14	22.5 X 26.5	16.5	26.5 X 20.5
3G18N52B2Y	150.0	240	3	3	360.8	8.36	22.5 X 53.5	8.25	26.5 X 12.25
3G18N52B4Y	150.0	480	3	3	180.4	8.36	22.5 X 53.5	8.25	26.5 X 12.25
3G30N33B4Y	150.0	480	3	3	180.4	8.98	37.5 X 34.5	8.25	41.5 X 12.25

Hi-Temp Duct - Type G

120 kW - 180 kW

Watt Density: 20

Gaumer Catalog Number	kW:	Volts:	Phase	Quantity Circuits	Total Amps	Face Area (Sq. Ft.)	Heater Duct Dim. Ht.x Lgth.(Inches)	Depth (Inches)	Heater Flange Ht.x Wdth.(Inches)
1G54N52B4Y	150.0	480	3	9	180.4	25.08	67.5 X 53.5	2.75	71.5 X 6.75
12G6N43B2Y	156.0	240	3	12	375.3	2.32	7.5 X 44.5	33	11.5 X 37
12G6N43B4Y	156.0	480	3	4	187.6	2.32	7.5 X 44.5	33	11.5 X 37
3G24N43B2Y	159.0	240	3	3	382.5	9.27	30 X 44.5	8.25	34 X 12.25
3G24N43B4Y	159.0	480	3	3	191.2	9.27	30 X 44.5	8.25	34 X 12.25
8G6N61B2Y	160.0	240	3	12	384.9	3.26	7.5 X 62.5	22	11.5 X 26
8G12N33B2Y	160.0	240	3	12	384.9	3.59	15 X 34.5	22	19 X 26
4G12N61B2Y	160.0	240	3	8	384.9	6.51	15 X 62.5	11	19 X 15
4G18N43B2Y	160.0	240	3	12	384.9	6.95	22.5 X 44.5	11	26.5 X 15
4G24N33B2Y	160.0	240	3	8	384.9	7.19	30 X 34.5	11	34 X 15
2G24N61B2Y	160.0	240	3	4	384.9	13.02	30 X 62.5	5.5	34 X 9.5
8G6N61B4Y	160.0	480	3	2	192.5	3.26	7.5 X 62.5	22	11.5 X 26
8G12N33B4Y	160.0	480	3	2	192.5	3.59	15 X 34.5	22	19 X 26
4G12N61B4Y	160.0	480	3	6	192.5	6.51	15 X 62.5	11	19 X 15
4G18N43B4Y	160.0	480	3	6	192.5	6.95	22.5 X 44.5	11	26.5 X 15
4G24N33B4Y	160.0	480	3	6	192.5	7.19	30 X 34.5	11	34 X 15
2G48N33B4Y	160.0	480	3	2	192.5	12.58	52.5 X 34.5	5.5	56.5 X 9.5
2G24N61B4Y	160.0	480	3	2	192.5	13.02	30 X 62.5	5.5	34 X 9.5
2G36N43B4Y	160.0	480	3	2	192.5	13.91	45 X 44.5	5.5	49 X 9.5
1G48N61B4Y	160.0	480	3	4	192.5	26.04	60 X 62.5	2.75	6.75 X 6.75
1G72N43B4Y	160.0	480	3	6	192.5	27.81	90 X 44.5	2.75	94 X 6.75
6G12N43B2Y	162.0	240	3	12	389.7	4.64	15 X 44.5	16.5	19 X 20.5
6G12N43B4Y	162.0	480	3	6	194.9	4.64	15 X 44.5	16.5	19 X 20.5
1G60N52B4Y	167.0	480	3	9	200.9	27.86	75 X 53.5	2.75	79 X 6.75
8G24N18B2Y	168.0	240	3	12	404.2	4.06	30 X 19.5	22	34 X 26
8G24N18B4Y	168.0	480	3	8	202.1	4.06	30 X 19.5	22	34 X 26
3G12N78B2Y	177.0	240	3	3	425.8	8.13	15 X 78	8.25	19 X 12.25
3G12N88B4Y	177.0	480	3	3	212.9	9.32	15 X 89.5	8.25	19 X 12.25
2G18N78B2Y	178.0	240	3	6	428.2	12.19	22.5 X 78	5.5	26.5 X 9.5
2G18N88B4Y	178.0	480	3	3	214.1	13.98	22.5 X 89.5	5.5	26.5 X 9.5
1G36N88B4Y	178.0	480	3	6	214.1	27.97	45 X 89.5	2.75	49 X 6.75
6G18N33B2Y	180.0	240	3	9	433.0	5.39	22.5 X 34.5	16.5	26.5 X 20.5
3G18N61B2Y	180.0	240	3	3	433.0	9.77	22.5 X 62.5	8.25	26.5 X 12.25
6G18N33B4Y	180.0	480	3	6	216.5	5.39	22.5 X 34.5	16.5	26.5 X 20.5
3G18N61B4Y	180.0	480	3	3	216.5	9.77	22.5 X 62.5	8.25	26.5 X 12.25
3G36N33B4Y	180.0	480	3	3	216.5	10.78	45 X 34.5	8.25	49 X 12.25
2G54N33B4Y	180.0	480	3	3	216.5	16.17	67.5 X 34.5	5.5	71.5 X 9.5
1G54N61B4Y	180.0	480	3	9	216.5	29.30	67.5 X 62.5	2.75	71.5 X 6.75

Hi-Temp Duct - Type G

120 kW - 180 kW

Watt Density: 15

Gaumer Catalog Number	kW:	Volts:	Phase	Quantity Circuits	Total Amps	Face Area (Sq. Ft.)	Heater Duct Dim. Ht.x Lgth.(Inches)	Depth (Inches)	Heater Flange Ht.x Wdth.(Inches)
12G6N40H2Y	120.0	240	3	12	288.7	2.16	7.5 X 41.5	33	11.5 X 37
12G12N20H2Y	120.0	240	3	12	288.7	2.24	15 X 21.5	33	19 X 37
12G6N43B2S	120.0	240	3	12	288.7	2.32	7.5 X 44.5	33	11.5 X 37
8G6N61B2S	120.0	240	3	12	288.7	3.26	7.5 X 62.5	22	11.5 X 26
8G18N20H2Y	120.0	240	3	12	288.7	3.36	22.5 X 21.5	22	26.5 X 26
8G12N33B2S	120.0	240	3	12	288.7	3.59	15 X 34.5	22	19 X 26
6G12N40H2Y	120.0	240	3	6	288.7	4.32	15 X 41.5	16.5	19 X 20.5
6G24N20H2Y	120.0	240	3	6	288.7	4.48	30 X 21.5	16.5	34 X 20.5
6G12N43B2S	120.0	240	3	6	288.7	4.64	15 X 44.5	16.5	19 X 20.5
4G18N40H2Y	120.0	240	3	6	288.7	6.48	22.5 X 41.5	11	26.5 X 15
4G12N61B2S	120.0	240	3	6	288.7	6.51	15 X 62.5	11	19 X 15
4G18N43B2S	120.0	240	3	6	288.7	6.95	22.5 X 44.5	11	26.5 X 15
4G24N33B2S	120.0	240	3	6	288.7	7.19	30 X 34.5	11	34 X 15
3G24N40H2Y	120.0	240	3	3	288.7	8.65	30 X 41.5	8.25	34 X 12.25
3G24N43B2S	120.0	240	3	3	288.7	9.27	30 X 44.5	8.25	34 X 12.25
2G24N61B2S	120.0	240	3	4	288.7	13.02	30 X 62.5	5.5	34 X 9.5
12G6N40H4Y	120.0	480	3	4	144.3	2.16	7.5 X 41.5	33	11.5 X 37
12G12N20H4Y	120.0	480	3	4	144.3	2.24	15 X 21.5	33	19 X 37
12G6N43B4S	120.0	480	3	4	144.3	2.32	7.5 X 44.5	33	11.5 X 37
8G6N61B4S	120.0	480	3	4	144.3	3.26	7.5 X 62.5	22	11.5 X 26
8G18N20H4Y	120.0	480	3	4	144.3	3.36	22.5 X 21.5	22	26.5 X 26
8G12N33B4S	120.0	480	3	4	144.3	3.59	15 X 34.5	22	19 X 26
6G12N40H4Y	120.0	480	3	6	144.3	4.32	15 X 41.5	16.5	19 X 20.5
6G24N20H4Y	120.0	480	3	6	144.3	4.48	30 X 21.5	16.5	34 X 20.5
6G12N43B4S	120.0	480	3	6	144.3	4.64	15 X 44.5	16.5	19 X 20.5
4G18N40H4Y	120.0	480	3	6	144.3	6.48	22.5 X 41.5	11	26.5 X 15
4G12N61B4S	120.0	480	3	6	144.3	6.51	15 X 62.5	11	19 X 15
4G18N43B4S	120.0	480	3	6	144.3	6.95	22.5 X 44.5	11	26.5 X 15
4G24N33B4S	120.0	480	3	6	144.3	7.19	30 X 34.5	11	34 X 15
3G24N40H4Y	120.0	480	3	3	144.3	8.65	30 X 41.5	8.25	34 X 12.25
3G24N43B4S	120.0	480	3	3	144.3	9.27	30 X 44.5	8.25	34 X 12.25
2G48N33B4S	120.0	480	3	2	144.3	12.58	52.5 X 34.5	5.5	56.5 X 9.5
2G36N40H4Y	120.0	480	3	2	144.3	12.97	45 X 41.5	5.5	49 X 9.5
2G24N61B4S	120.0	480	3	2	144.3	13.02	30 X 62.5	5.5	34 X 9.5
2G36N43B4S	120.0	480	3	2	144.3	13.44	45 X 43	5.5	49 X 9.5
1G72N40H4Y	120.0	480	3	3	144.3	25.94	90 X 41.5	2.75	94 X 6.75
1G48N61B4S	120.0	480	3	3	144.3	26.04	60 X 62.5	2.75	6.75 X 6.75
1G72N43B4S	120.0	480	3	3	144.3	27.81	90 X 44.5	2.75	94 X 6.75
1G60N52H4Y	120.0	480	3	4	144.3	27.86	75 X 53.5	2.75	79 X 6.75
1G60N52B4S	125.0	480	3	5	150.4	27.86	75 X 53.5	2.75	79 X 6.75
8G12N33H2Y	128.0	240	3	12	307.9	3.59	15 X 34.5	22	19 X 26
8G24N18B2S	128.0	240	3	12	307.9	4.06	30 X 19.5	22	34 X 26
8G24N18H2Y	128.0	240	3	12	307.9	4.06	30 X 19.5	22	34 X 26
4G24N33H2Y	128.0	240	3	8	307.9	7.19	30 X 34.5	11	34 X 15
8G12N33H4Y	128.0	480	3	4	154.0	3.59	15 X 34.5	22	19 X 26
8G24N18B4S	128.0	480	3	4	154.0	4.06	30 X 19.5	22	34 X 26
8G24N18H4Y	128.0	480	3	4	154.0	4.06	30 X 19.5	22	34 X 26

Hi-Temp Duct - Type G

120 kW - 180 kW

Watt Density: 15

Gaumer Catalog Number	kW:	Volts:	Phase	Quantity Circuits	Total Amps	Face Area (Sq. Ft.)	Heater Duct Dim. Ht.x Lgth.(Inches)	Depth (Inches)	Heater Flange Ht.x Wdth.(Inches)
4G24N33H4Y	128.0	480	3	6	154.0	7.19	30 X 34.5	11	34 X 15
2G48N33H4Y	128.0	480	3	2	154.0	12.58	52.5 X 34.5	5.5	56.5 X 9.5
4G12N61H2Y	132.0	240	3	8	317.6	6.51	15 X 62.5	11	19 X 15
3G12N78B2S	132.0	240	3	3	317.5	8.13	15 X 78	8.25	19 X 12.25
3G12N78H2Y	132.0	240	3	3	317.5	8.28	15 X 79.5	8.25	19 X 12.25
3G12N88B4D	132.0	240	3	3	317.5	9.32	15 X 89.5	8.25	19 X 12.25
4G12N61H4Y	132.0	480	3	6	158.8	6.51	15 X 62.5	11	19 X 15
3G12N78H4Y	132.0	480	3	3	158.8	8.28	15 X 79.5	8.25	19 X 12.25
1G48N61H4Y	133.0	480	3	4	160.0	22.79	52.5 X 62.5	2.75	56.5 X 6.75
1G36N78H4Y	133.0	480	3	6	160.0	24.84	45 X 79.5	2.75	49 X 6.75
1G36N88B4S	133.0	480	3	6	160.0	27.97	45 X 89.5	2.75	49 X 6.75
2G18N78B2S	134.0	240	3	6	322.4	12.19	22.5 X 78	5.5	26.5 X 9.5
2G24N61H2Y	134.0	240	3	4	322.4	13.02	30 X 62.5	5.5	34 X 9.5
2G18N78H4Y	134.0	480	3	2	161.2	12.42	22.5 X 79.5	5.5	26.5 X 9.5
2G24N61H4Y	134.0	480	3	2	161.2	13.02	30 X 62.5	5.5	34 X 9.5
2G18N88B4S	134.0	480	3	2	161.2	13.98	22.5 X 89.5	5.5	26.5 X 9.5
3G18N61B2S	135.0	240	3	3	324.8	9.77	22.5 X 62.5	8.25	26.5 X 12.25
3G18N61B4S	135.0	480	3	3	162.4	9.77	22.5 X 62.5	8.25	26.5 X 12.25
3G36N33B4S	135.0	480	3	3	162.4	10.31	45 X 33	8.25	49 X 12.25
1G54N61B4S	135.0	480	3	9	162.4	29.30	67.5 X 62.5	2.75	71.5 X 6.75
8G6N61H2Y	136.0	240	3	12	327.2	3.26	7.5 X 62.5	22	11.5 X 26
8G24N20B2S	136.0	240	3	12	327.2	4.48	30 X 21.5	22	34 X 26
8G6N61H4Y	136.0	480	3	4	163.6	3.26	7.5 X 62.5	22	11.5 X 26
8G24N20B4S	136.0	480	3	4	163.6	4.48	30 X 21.5	22	34 X 26
2G54N33B4S	136.0	480	3	2	163.6	16.17	67.5 X 34.5	5.5	71.5 X 9.5
6G18N33B2S	138.0	240	3	9	332.0	5.39	22.5 X 34.5	16.5	26.5 X 20.5
6G18N33B4S	138.0	480	3	6	166.0	5.39	22.5 X 34.5	16.5	26.5 X 20.5
12G6N48H2Y	144.0	240	3	12	346.4	2.58	7.5 X 49.5	33	11.5 X 37
12G12N25B2S	144.0	240	3	12	346.4	2.76	15 X 26.5	33	19 X 37
12G12N25H2Y	144.0	240	3	12	346.4	2.76	15 X 26.5	33	19 X 37
12G24N13H2Y	144.0	240	3	12	346.4	3.02	30 X 14.5	33	34 X 37
12G18N18B2S	144.0	240	3	12	346.4	3.05	22.5 X 19.5	33	26.5 X 37
12G18N18H2Y	144.0	240	3	12	346.4	3.05	22.5 X 19.5	33	26.5 X 37
8G18N25B2S	144.0	240	3	12	346.4	4.14	22.5 X 26.5	22	26.5 X 26
8G18N25H2Y	144.0	240	3	12	346.4	4.14	22.5 X 26.5	22	26.5 X 26
6G12N48H2Y	144.0	240	3	12	346.4	5.16	15 X 49.5	16.5	19 X 20.5
6G18N33H2Y	144.0	240	3	9	346.4	5.39	22.5 X 34.5	16.5	26.5 X 20.5
6G24N25B2S	144.0	240	3	12	346.4	5.52	30 X 26.5	16.5	34 X 20.5
6G24N25H2Y	144.0	240	3	12	346.4	5.52	30 X 26.5	16.5	34 X 20.5
4G18N48H2Y	144.0	240	3	12	346.4	7.73	22.5 X 49.5	11	26.5 X 15
3G24N48H2Y	144.0	240	3	3	346.4	10.31	30 X 49.5	8.25	34 X 12.25
12G6N48H4Y	144.0	480	3	4	173.2	2.58	7.5 X 49.5	33	11.5 X 37
12G12N25H4Y	144.0	480	3	4	173.2	2.76	15 X 26.5	33	19 X 37
12G12N25B4S	144.0	480	3	4	173.2	2.76	15 X 26.5	33	19 X 37
12G24N13H4Y	144.0	480	3	4	173.2	3.02	30 X 14.5	33	34 X 37
12G18N18B4S	144.0	480	3	4	173.2	3.05	22.5 X 19.5	33	26.5 X 37
12G18N18H4Y	144.0	480	3	4	173.2	3.05	22.5 X 19.5	33	26.5 X 37

Hi-Temp Duct - Type G

120 kW - 180 kW

Watt Density: 15

Gaumer Catalog Number	kW:	Volts:	Phase	Quantity Circuits	Total Amps	Face Area (Sq. Ft.)	Heater Duct Dim. Ht.x Lgth.(Inches)	Depth (Inches)	Heater Flange Ht.x Wdth.(Inches)
8G18N25B4S	144.0	480	3	4	173.2	4.14	22.5 X 26.5	22	26.5 X 26
8G18N25H4Y	144.0	480	3	4	173.2	4.14	22.5 X 26.5	22	26.5 X 26
6G12N48H4Y	144.0	480	3	6	173.2	5.16	15 X 49.5	16.5	19 X 20.5
6G18N33H4Y	144.0	480	3	6	173.2	5.39	22.5 X 34.5	16.5	26.5 X 20.5
6G24N25B4S	144.0	480	3	6	173.2	5.52	30 X 26.5	16.5	34 X 20.5
6G24N25H4Y	144.0	480	3	6	173.2	5.52	30 X 26.5	16.5	34 X 20.5
4G18N48H4Y	144.0	480	3	6	173.2	7.73	22.5 X 49.5	11	26.5 X 15
3G24N48H4Y	144.0	480	3	3	173.2	10.31	30 X 49.5	8.25	34 X 12.25
3G36N33H4Y	144.0	480	3	3	173.2	10.78	45 X 34.5	8.25	49 X 12.25
2G54N33H4Y	144.0	480	3	2	173.2	16.17	67.5 X 34.5	5.5	71.5 X 9.5
2G36N52H4Y	144.0	480	3	2	173.2	16.72	45 X 53.5	5.5	49 X 9.5
1G72N52H4Y	144.0	480	3	6	173.2	33.44	90 X 53.5	2.75	94 X 6.75
6G12N52B2S	150.0	240	3	12	360.8	5.57	15 X 53.5	16.5	19 X 20.5
3G24N52B2S	150.0	240	3	3	360.8	11.15	30 X 53.5	8.25	34 X 12.25
6G12N52B4S	150.0	480	3	6	180.4	5.57	15 X 53.5	16.5	19 X 20.5
3G12N88H4Y	150.0	480	3	3	180.4	9.32	15 X 89.5	8.25	19 X 12.25
3G18N61H4Y	150.0	480	3	3	180.4	9.77	22.5 X 62.5	8.25	26.5 X 12.25
3G24N52B4S	150.0	480	3	3	180.4	11.15	30 X 53.5	8.25	34 X 12.25
3G30N43B4S	150.0	480	3	3	180.4	11.59	37.5 X 44.5	8.25	41.5 X 12.25
2G18N88H4Y	150.0	480	3	2	180.4	13.98	22.5 X 89.5	5.5	26.5 X 9.5
2G36N52B4S	150.0	480	3	2	180.4	16.25	45 X 52	5.5	49 X 9.5
2G60N61B4S	150.0	480	3	2	180.4	16.28	37.5 X 62.5	5.5	41.5 X 9.5
1G36N88H4Y	150.0	480	3	6	180.4	27.97	45 X 89.5	2.75	49 X 6.75
1G54N61H4Y	150.0	480	3	9	180.4	29.30	67.5 X 62.5	2.75	71.5 X 6.75
1G60N61B4S	150.0	480	3	9	180.4	32.55	75 X 62.5	2.75	79 X 6.75
1G72N52B4S	150.0	480	3	6	180.4	33.44	90 X 53.5	2.75	94 X 6.75
4G18N52B2S	152.0	240	3	12	365.7	8.36	22.5 X 53.5	11	26.5 X 15
4G18N52B4S	152.0	480	3	6	182.8	8.36	22.5 X 53.5	11	26.5 X 15
4G30N33B4S	152.0	480	3	6	182.8	8.98	37.5 X 34.5	11	41.5 X 15
12G6N52B2S	156.0	240	3	12	375.3	2.79	7.5 X 53.5	33	11.5 X 37
12G18N20B2S	156.0	240	3	12	375.3	3.36	22.5 X 21.5	33	26.5 X 37
12G6N52B4S	156.0	480	3	4	187.6	2.79	7.5 X 53.5	33	11.5 X 37
12G18N20B4S	156.0	480	3	4	187.6	3.36	22.5 X 21.5	33	26.5 X 37
8G12N40H2Y	160.0	240	3	12	384.9	4.32	15 X 41.5	22	19 X 26
8G24N20H2Y	160.0	240	3	12	384.9	4.48	30 X 21.5	22	34 X 26
8G12N43B2S	160.0	240	3	12	384.9	4.64	15 X 44.5	22	19 X 26
4G24N40H2Y	160.0	240	3	8	384.9	8.65	30 X 41.5	11	34 X 15
4G24N43B2S	160.0	240	3	8	384.9	9.27	30 X 44.5	11	34 X 15
8G12N40H4Y	160.0	480	3	2	192.5	4.32	15 X 41.5	22	19 X 26
8G24N20H4Y	160.0	480	3	2	192.5	4.48	30 X 21.5	22	34 X 26
8G12N43B4S	160.0	480	3	2	192.5	4.64	15 X 44.5	22	19 X 26
4G24N40H4Y	160.0	480	3	6	192.5	8.65	30 X 41.5	11	34 X 15
4G24N43B4S	160.0	480	3	6	192.5	9.27	30 X 44.5	11	34 X 15
2G48N40H4Y	160.0	480	3	2	192.5	15.13	52.5 X 41.5	5.5	56.5 X 9.5
2G48N43B4S	160.0	480	3	2	192.5	16.22	52.5 X 44.5	5.5	56.5 X 9.5
2G60N33H4Y	160.0	480	3	2	192.5	17.97	75 X 34.5	5.5	79 X 9.5
1G60N61H4Y	167.0	480	3	5	200.9	32.55	75 X 62.5	2.75	79 X 6.75

Hi-Temp Duct - Type G

120 kW - 180 kW

Watt Density: 15

Gaumer Catalog Number	kW:	Volts:	Phase	Quantity Circuits	Total Amps	Face Area (Sq. Ft.)	Heater Duct Dim. Ht.x Lgth.(Inches)	Depth (Inches)	Heater Flange Ht.x Wdth.(Inches)
8G6N78B2S	176.0	240	3	12	423.4	4.06	7.5 X 78	22	11.5 X 26
8G6N78H2Y	176.0	240	3	12	423.4	4.14	7.5 X 79.5	22	11.5 X 26
4G12N78B2S	176.0	240	3	8	423.4	8.13	15 X 78	11	19 X 15
4G12N78H2Y	176.0	240	3	8	423.4	8.28	15 X 79.5	11	19 X 15
4G12N88B4D	176.0	240	3	8	423.4	9.32	15 X 89.5	11	19 X 15
8G6N78H4Y	176.0	480	3	8	211.7	4.14	7.5 X 79.5	22	11.5 X 26
8G6N88B4S	176.0	480	3	8	211.7	4.66	7.5 X 89.5	22	11.5 X 26
4G12N78H4Y	176.0	480	3	6	211.7	8.28	15 X 79.5	11	19 X 15
2G24N78B2S	178.0	240	3	4	428.2	16.25	30 X 78	5.5	34 X 9.5
2G24N78H2Y	178.0	240	3	4	428.2	16.56	30 X 79.5	5.5	34 X 9.5
2G24N78H4Y	178.0	480	3	4	214.1	16.56	30 X 79.5	5.5	34 X 9.5
2G24N88B4S	178.0	480	3	4	214.1	18.65	30 X 89.5	5.5	34 X 9.5
1G48N78H4Y	178.0	480	3	4	214.1	28.98	52.5 X 79.5	2.75	56.5 X 6.75
1G48N88B4S	178.0	480	3	8	214.1	37.29	60 X 89.5	2.75	6.75 X 6.75
12G6N61B2S	180.0	240	3	12	433.0	3.26	7.5 X 62.5	33	11.5 X 37
12G18N20H2Y	180.0	240	3	12	433.0	3.36	22.5 X 21.5	33	26.5 X 37
12G12N33B2S	180.0	240	3	12	433.0	3.59	15 X 34.5	33	19 X 37
6G18N40H2Y	180.0	240	3	18	433.0	6.48	22.5 X 41.5	16.5	26.5 X 20.5
6G12N61B2S	180.0	240	3	12	433.0	6.51	15 X 62.5	16.5	19 X 20.5
6G18N43B2S	180.0	240	3	18	433.0	6.95	22.5 X 44.5	16.5	26.5 X 20.5
6G24N33B2S	180.0	240	3	12	433.0	7.19	30 X 34.5	16.5	34 X 20.5
4G18N61B2S	180.0	240	3	12	433.0	9.77	22.5 X 62.5	11	26.5 X 15
3G24N61B2S	180.0	240	3	3	433.0	13.02	30 X 62.5	8.25	34 X 12.25
12G6N61B4S	180.0	480	3	8	216.5	3.26	7.5 X 62.5	33	11.5 X 37
12G18N20H4Y	180.0	480	3	8	216.5	3.36	22.5 X 21.5	33	26.5 X 37
12G12N33B4S	180.0	480	3	8	216.5	3.59	15 X 34.5	33	19 X 37
6G18N40H4Y	180.0	480	3	6	216.5	6.48	22.5 X 41.5	16.5	26.5 X 20.5
6G12N61B4S	180.0	480	3	6	216.5	6.51	15 X 62.5	16.5	19 X 20.5
6G18N43B4S	180.0	480	3	6	216.5	6.95	22.5 X 44.5	16.5	26.5 X 20.5
6G24N33B4S	180.0	480	3	6	216.5	7.19	30 X 34.5	16.5	34 X 20.5
4G18N61B4S	180.0	480	3	6	216.5	9.77	22.5 X 62.5	11	26.5 X 15
4G36N33B4S	180.0	480	3	6	216.5	10.31	45 X 33	11	49 X 15
3G48N33B4S	180.0	480	3	3	216.5	12.58	52.5 X 34.5	8.25	56.5 X 12.25
3G36N40H4Y	180.0	480	3	3	216.5	12.97	45 X 41.5	8.25	49 X 12.25
3G24N61B4S	180.0	480	3	3	216.5	13.02	30 X 62.5	8.25	34 X 12.25
3G36N43B4S	180.0	480	3	3	216.5	13.44	45 X 43	8.25	49 X 12.25
2G36N61B4S	180.0	480	3	3	216.5	19.06	45 X 61	5.5	49 X 9.5
2G54N40H4Y	180.0	480	3	3	216.5	19.45	67.5 X 41.5	5.5	71.5 X 9.5
2G54N43B4S	180.0	480	3	3	216.5	20.86	67.5 X 44.5	5.5	71.5 X 9.5
2G72N33B4S	180.0	480	3	3	216.5	21.56	90 X 34.5	5.5	94 X 9.5
1G72N61B4S	180.0	480	3	6	216.5	39.06	90 X 62.5	2.75	94 X 6.75

Hi-Temp Duct - Type G

120 kW - 180 kW

Watt Density: 12

Gaumer Catalog Number	kW:	Volts:	Phase	Quantity Circuits	Total Amps	Face Area (Sq. Ft.)	Heater Duct Dim. Ht.x Lgth.(Inches)	Depth (Inches)	Heater Flange Ht.x Wdth.(Inches)
8G12N40H2S	120.0	240	3	12	288.7	4.32	15 X 41.5	22	19 X 26
8G24N20H2S	120.0	240	3	12	288.7	4.48	30 X 21.5	22	34 X 26
4G24N40H2S	120.0	240	3	6	288.7	8.65	30 X 41.5	11	34 X 15
8G12N40H4S	120.0	480	3	4	144.3	4.32	15 X 41.5	22	19 X 26
8G24N20H4S	120.0	480	3	4	144.3	4.48	30 X 21.5	22	34 X 26
4G24N40H4S	120.0	480	3	6	144.3	8.65	30 X 41.5	11	34 X 15
1G60N61H4S	125.0	480	3	5	150.4	32.55	75 X 62.5	2.75	79 X 6.75
4G12N78H2S	132.0	240	3	8	317.6	8.28	15 X 79.5	11	19 X 15
4G12N78H4S	132.0	480	3	6	158.8	8.28	15 X 79.5	11	19 X 15
1G48N78H4S	133.0	480	3	4	160.0	28.98	52.5 X 79.5	2.75	56.5 X 6.75
2G24N78H2S	134.0	240	3	4	322.4	16.56	30 X 79.5	5.5	34 X 9.5
2G24N78H4S	134.0	480	3	2	161.2	16.56	30 X 79.5	5.5	34 X 9.5
12G18N20H2S	135.6	240	3	12	326.2	3.36	22.5 X 21.5	33	26.5 X 37
12G18N20H4S	135.6	480	3	4	163.1	3.36	22.5 X 21.5	33	26.5 X 37
8G6N78H2S	136.0	240	3	12	327.2	4.14	7.5 X 79.5	22	11.5 X 26
8G6N78H4S	136.0	480	3	4	163.6	4.14	7.5 X 79.5	22	11.5 X 26
6G18N40H2S	138.0	240	3	9	332.0	6.48	22.5 X 41.5	16.5	26.5 X 20.5
6G18N40H4S	138.0	480	3	6	166.0	6.48	22.5 X 41.5	16.5	26.5 X 20.5
12G12N33H2S	144.0	240	3	12	346.4	3.59	15 X 34.5	33	19 X 37
12G24N18H2S	144.0	240	3	12	346.4	4.06	30 X 19.5	33	34 X 37
8G12N48H2S	144.0	240	3	12	346.4	5.16	15 X 49.5	22	19 X 26
8G18N33H2S	144.0	240	3	12	346.4	5.39	22.5 X 34.5	22	26.5 X 26
8G24N25H2S	144.0	240	3	12	346.4	5.52	30 X 26.5	22	34 X 26
6G24N33H2S	144.0	240	3	12	346.4	7.19	30 X 34.5	16.5	34 X 20.5
4G24N48H2S	144.0	240	3	8	346.4	10.31	30 X 49.5	11	34 X 15
12G12N33H4S	144.0	480	3	4	173.2	3.59	15 X 34.5	33	19 X 37
12G24N18H4S	144.0	480	3	4	173.2	4.06	30 X 19.5	33	34 X 37
8G12N48H4S	144.0	480	3	4	173.2	5.16	15 X 49.5	22	19 X 26
8G18N33H4S	144.0	480	3	4	173.2	5.39	22.5 X 34.5	22	26.5 X 26
8G24N25H4S	144.0	480	3	4	173.2	5.52	30 X 26.5	22	34 X 26
6G24N33H4S	144.0	480	3	6	173.2	7.19	30 X 34.5	16.5	34 X 20.5
4G24N48H4S	144.0	480	3	6	173.2	10.31	30 X 49.5	11	34 X 15
2G48N52H4S	144.0	480	3	2	173.2	19.51	52.5 X 53.5	5.5	56.5 X 9.5
6G12N61H2S	150.0	240	3	12	360.8	6.51	15 X 62.5	16.5	19 X 20.5
3G18N78H2S	150.0	240	3	3	360.8	12.42	22.5 X 79.5	8.25	26.5 X 12.25
3G24N61H2S	150.0	240	3	3	360.8	13.02	30 X 62.5	8.25	34 X 12.25
2G24N88H4D	150.0	240	3	4	360.9	18.65	30 X 89.5	5.5	34 X 9.5
6G12N61H4S	150.0	480	3	6	180.4	6.51	15 X 62.5	16.5	19 X 20.5
3G18N78H4S	150.0	480	3	3	180.4	12.42	22.5 X 79.5	8.25	26.5 X 12.25
3G24N61H4S	150.0	480	3	3	180.4	13.02	30 X 62.5	8.25	34 X 12.25
2G24N88H4S	150.0	480	3	2	180.4	18.65	30 X 89.5	5.5	34 X 9.5
2G36N61H4S	150.0	480	3	2	180.4	19.53	45 X 62.5	5.5	49 X 9.5
1G48N88H4S	150.0	480	3	4	180.4	32.63	52.5 X 89.5	2.75	56.5 X 6.75
1G54N78H4S	150.0	480	3	9	180.4	37.27	67.5 X 79.5	2.75	71.5 X 6.75
1G72N61H4S	150.0	480	3	6	180.4	39.06	90 X 62.5	2.75	94 X 6.75
8G6N88H4D	152.0	240	3	12	365.7	4.66	7.5 X 89.5	22	11.5 X 26
4G12N88H4D	152.0	240	3	8	365.7	9.32	15 X 89.5	11	19 X 15

Hi-Temp Duct - Type G

120 kW - 180 kW

Watt Density: 12

Gaumer Catalog Number	kW:	Volts:	Phase	Quantity Circuits	Total Amps	Face Area (Sq. Ft.)	Heater Duct Dim. Ht.x Lgth.(Inches)	Depth (Inches)	Heater Flange Ht.x Wdth.(Inches)
4G18N61H2S	152.0	240	3	12	365.7	9.77	22.5 X 62.5	11	26.5 X 15
4G18N61H4S	152.0	480	3	6	182.8	3.05	22.5 X 19.5	11	26.5 X 15
8G6N88H4S	152.0	480	3	4	182.8	4.66	7.5 X 89.5	22	11.5 X 26
4G12N88H4S	152.0	480	3	6	182.8	9.32	15 X 89.5	11	19 X 15
12G6N61H2S	156.0	240	3	12	375.3	3.26	7.5 X 62.5	33	11.5 X 37
12G6N61H4S	156.0	480	3	4	187.6	3.26	7.5 X 62.5	33	11.5 X 37
6G18N48H2S	162.0	240	3	9	389.7	7.73	22.5 X 49.5	16.5	26.5 X 20.5
6G18N48H4S	162.0	480	3	6	194.9	7.73	22.5 X 49.5	16.5	26.5 X 20.5
3G36N52H4S	162.0	480	3	3	194.9	16.72	45 X 53.5	8.25	49 X 12.25
2G54N52H4S	162.0	480	3	3	194.9	25.08	67.5 X 53.5	5.5	71.5 X 9.5
1G60N78H4S	167.0	480	3	5	200.9	41.41	75 X 79.5	2.75	79 X 6.75
12G18N25H2S	168.0	240	3	12	404.2	4.14	22.5 X 26.5	33	26.5 X 37
3G18N88H4D	168.0	240	3	3	404.1	13.98	22.5 X 89.5	8.25	26.5 X 12.25
12G18N25H4S	168.0	480	3	8	202.1	4.14	22.5 X 26.5	33	26.5 X 37
3G18N88H4S	168.0	480	3	3	202.1	13.98	22.5 X 89.5	8.25	26.5 X 12.25
1G54N88H4S	169.0	480	3	9	203.3	41.95	67.5 X 89.5	2.75	71.5 X 6.75
12G12N40H2S	180.0	240	3	12	433.0	4.32	15 X 41.5	33	19 X 37
12G24N20H2S	180.0	240	3	12	433.0	4.48	30 X 21.5	33	34 X 37
6G24N40H2S	180.0	240	3	12	433.0	8.65	30 X 41.5	16.5	34 X 20.5
12G12N40H4S	180.0	480	3	8	216.5	4.32	15 X 41.5	33	19 X 37
12G24N20H4S	180.0	480	3	8	216.5	4.48	30 X 21.5	33	34 X 37
6G24N40H4S	180.0	480	3	6	216.5	8.65	30 X 41.5	16.5	34 X 20.5
2G60N52H4S	180.0	480	3	4	216.5	27.86	75 X 53.5	5.5	79 X 9.5

Hi-Temp Duct - Type G

120 kW - 180 kW

Watt Density: 8

Gaumer Catalog Number	kW:	Volts:	Phase	Quantity Circuits	Total Amps	Face Area (Sq. Ft.)	Heater Duct Dim. Ht.x Lgth.(Inches)	Depth (Inches)	Heater Flange Ht.x Wdth.(Inches)
12G6N77M2Y	120.0	240	3	12	288.7	4.09	7.5 X 78.5	33	11.5 X 37
12G12N40M2Y	120.0	240	3	12	288.7	4.32	15 X 41.5	33	19 X 37
6G12N77M2Y	120.0	240	3	6	288.7	8.18	15 X 78.5	16.5	19 X 20.5
12G6N77M4Y	120.0	480	3	4	144.3	4.09	7.5 X 78.5	33	11.5 X 37
12G12N40M4Y	120.0	480	3	4	144.3	4.32	15 X 41.5	33	19 X 37
6G12N77M4Y	120.0	480	3	6	144.3	8.18	15 X 78.5	16.5	19 X 20.5
6G18N52M4Y	120.0	480	3	6	144.3	8.36	22.5 X 53.5	16.5	26.5 X 20.5
4G18N77M4Y	120.0	480	3	6	144.3	12.27	22.5 X 78.5	11	26.5 X 15
3G24N77M4Y	120.0	480	3	3	144.3	16.35	30 X 78.5	8.25	34 X 12.25
3G36N52M4Y	120.0	480	3	3	144.3	16.72	45 X 53.5	8.25	49 X 12.25
2G36N77M4Y	120.0	480	3	2	144.3	24.53	45 X 78.5	5.5	49 X 9.5
2G54N52M4Y	120.0	480	3	2	144.3	25.08	67.5 X 53.5	5.5	71.5 X 9.5
6G12N88M4Y	132.0	480	3	6	158.8	9.32	15 X 89.5	16.5	19 X 20.5
2G36N88M4Y	134.0	480	3	2	161.2	27.97	45 X 89.5	5.5	49 X 9.5
12G6N88M4Y	134.4	480	3	4	161.7	4.66	7.5 X 89.5	33	11.5 X 37
3G24N88M4Y	135.0	480	3	3	162.4	18.65	30 X 89.5	8.25	34 X 12.25
8G12N64M2Y	136.0	240	3	12	327.2	6.82	15 X 65.5	22	19 X 26
8G12N64M4Y	136.0	480	3	4	163.6	6.82	15 X 65.5	22	19 X 26
4G24N64M4Y	136.0	480	3	6	163.6	13.65	30 X 65.5	11	34 X 15
4G18N88M4Y	136.0	480	3	6	163.6	13.98	22.5 X 89.5	11	26.5 X 15
2G48N64M4Y	136.0	480	3	2	163.6	23.88	52.5 X 65.5	5.5	56.5 X 9.5
12G12N48M2Y	144.0	240	3	12	346.4	5.16	15 X 49.5	33	19 X 37
12G12N48M4Y	144.0	480	3	4	173.2	5.16	15 X 49.5	33	19 X 37
3G36N64M4Y	153.0	480	3	3	184.0	20.47	45 X 65.5	8.25	49 X 12.25
2G54N64M4Y	154.0	480	3	2	185.2	30.70	67.5 X 65.5	5.5	71.5 X 9.5
12G12N52M2Y	156.0	240	3	12	375.3	5.57	15 X 53.5	33	19 X 37
12G12N52M4Y	156.0	480	3	4	187.6	5.57	15 X 53.5	33	19 X 37
6G18N64M4Y	156.0	480	3	6	187.6	10.23	22.5 X 65.5	16.5	26.5 X 20.5
3G48N52M4Y	159.0	480	3	3	191.2	19.51	52.5 X 53.5	8.25	56.5 X 12.25
8G12N77M2Y	160.0	240	3	12	384.9	8.18	15 X 78.5	22	19 X 26
8G12N77M4Y	160.0	480	3	2	192.5	8.18	15 X 78.5	22	19 X 26
8G18N52M4Y	160.0	480	3	2	192.5	8.36	22.5 X 53.5	22	26.5 X 26
4G24N77M4Y	160.0	480	3	6	192.5	16.35	30 X 78.5	11	34 X 15
4G36N52M4Y	160.0	480	3	6	192.5	16.72	45 X 53.5	11	49 X 15
2G48N77M4Y	160.0	480	3	2	192.5	28.62	52.5 X 78.5	5.5	56.5 X 9.5
6G24N52M4Y	162.0	480	3	6	194.9	11.15	30 X 53.5	16.5	34 X 20.5
8G12N88M4Y	176.0	480	3	8	211.7	9.32	15 X 89.5	22	19 X 26
6G18N77M4Y	180.0	480	3	6	216.5	12.27	22.5 X 78.5	16.5	26.5 X 20.5
4G24N88M4Y	180.0	480	3	6	216.5	18.65	30 X 89.5	11	34 X 15
3G36N77M4Y	180.0	480	3	3	216.5	24.53	45 X 78.5	8.25	49 X 12.25
3G54N52M4Y	180.0	480	3	3	216.5	25.08	67.5 X 53.5	8.25	71.5 X 12.25
2G48N88M4Y	180.0	480	3	4	216.5	32.63	52.5 X 89.5	5.5	56.5 X 9.5
2G54N77M4Y	180.0	480	3	3	216.5	36.80	67.5 X 78.5	5.5	71.5 X 9.5

Hi-Temp Duct - Type G

120 kW - 180 kW

Watt Density: 6

Gaumer Catalog Number	kW:	Volts:	Phase	Quantity Circuits	Total Amps	Face Area (Sq. Ft.)	Heater Duct Dim. Ht.x Lgth.(Inches)	Depth (Inches)	Heater Flange Ht.x Wdth.(Inches)
12G12N52M2S	120.0	240	3	12	288.7	5.57	15 X 53.5	33	19 X 37
8G12N77M2S	120.0	240	3	12	288.7	8.18	15 X 78.5	22	19 X 26
8G18N52M2S	120.0	240	3	12	288.7	8.36	22.5 X 53.5	22	26.5 X 26
8G24N40M2S	120.0	240	3	12	288.7	8.65	30 X 41.5	22	34 X 26
6G24N52M2S	120.0	240	3	6	288.7	11.15	30 X 53.5	16.5	34 X 20.5
4G48N40M2S	120.0	240	3	6	288.7	15.13	52.5 X 41.5	11	56.5 X 15
4G24N77M2S	120.0	240	3	6	288.7	16.35	30 X 78.5	11	34 X 15
4G36N52M2S	120.0	240	3	6	288.7	16.72	45 X 53.5	11	49 X 15
4G60N33M2S	120.0	240	3	6	288.7	17.97	75 X 34.5	11	79 X 15
3G48N52M2S	120.0	240	3	3	288.7	19.51	52.5 X 53.5	8.25	56.5 X 12.25
2G48N77M2S	120.0	240	3	4	288.7	28.62	52.5 X 78.5	5.5	56.5 X 9.5
12G12N52M4S	120.0	480	3	4	144.3	5.57	15 X 53.5	33	19 X 37
8G12N77M4S	120.0	480	3	4	144.3	8.18	15 X 78.5	22	19 X 26
8G18N52M4S	120.0	480	3	4	144.3	8.36	22.5 X 53.5	22	26.5 X 26
8G24N40M4S	120.0	480	3	4	144.3	8.65	30 X 41.5	22	34 X 26
6G24N52M4S	120.0	480	3	6	144.3	11.15	30 X 53.5	16.5	34 X 20.5
4G48N40M4S	120.0	480	3	6	144.3	15.13	52.5 X 41.5	11	56.5 X 15
4G24N77M4S	120.0	480	3	6	144.3	16.35	30 X 78.5	11	34 X 15
4G36N52M4S	120.0	480	3	6	144.3	16.72	45 X 53.5	11	49 X 15
4G60N33M4S	120.0	480	3	6	144.3	17.97	75 X 34.5	11	79 X 15
3G48N52M4S	120.0	480	3	3	144.3	19.51	52.5 X 53.5	8.25	56.5 X 12.25
2G48N77M4S	120.0	480	3	2	144.3	28.62	52.5 X 78.5	5.5	56.5 X 9.5
2G72N52M2S	120.0	480	3	2	144.3	32.50	90 X 52	5.5	94 X 9.5
2G72N52M4S	120.0	480	3	2	144.3	33.44	90 X 53.5	5.5	94 X 9.5
2G60N64M2S	128.0	240	3	5	307.9	34.11	75 X 65.5	5.5	79 X 9.5
2G60N64M4S	128.0	480	3	2	154.0	34.11	75 X 65.5	5.5	79 X 9.5
6G36N40M2S	132.0	240	3	9	317.5	12.97	45 X 41.5	16.5	49 X 20.5
6G36N40M4S	132.0	480	3	6	158.8	12.97	45 X 41.5	16.5	49 X 20.5
2G48N88M4S	134.0	480	3	2	161.2	32.63	52.5 X 89.5	5.5	56.5 X 9.5
12G18N40M2S	134.4	240	3	12	323.3	6.48	22.5 X 41.5	33	26.5 X 37
12G18N40M4S	134.4	480	3	4	161.7	6.48	22.5 X 41.5	33	26.5 X 37
3G36N77M2S	135.0	240	3	3	324.8	24.53	45 X 78.5	8.25	49 X 12.25
3G60N48M2S	135.0	240	3	3	324.8	25.78	75 X 49.5	8.25	79 X 12.25
3G36N77M4S	135.0	480	3	3	162.4	24.53	45 X 78.5	8.25	49 X 12.25
3G72N40M2S	135.0	480	3	3	162.4	25.00	90 X 40	8.25	94 X 12.25
3G60N48M4S	135.0	480	3	3	162.4	25.78	75 X 49.5	8.25	79 X 12.25
3G72N40M4S	135.0	480	3	3	162.4	25.94	90 X 41.5	8.25	94 X 12.25
8G12N88M4S	136.0	480	3	4	163.6	9.32	15 X 89.5	22	19 X 26
4G24N88M4S	136.0	480	3	6	163.6	18.65	30 X 89.5	11	34 X 15
6G18N77M2S	138.0	240	3	9	332.0	12.27	22.5 X 78.5	16.5	26.5 X 20.5
6G18N77M4S	138.0	480	3	6	166.0	12.27	22.5 X 78.5	16.5	26.5 X 20.5
12G24N33M2S	144.0	240	3	12	346.4	7.19	30 X 34.5	33	34 X 37
8G24N48M2S	144.0	240	3	12	346.4	10.31	30 X 49.5	22	34 X 26
8G36N33M2S	144.0	240	3	12	346.4	10.78	45 X 34.5	22	49 X 26
6G48N33M2S	144.0	240	3	12	346.4	12.58	52.5 X 34.5	16.5	56.5 X 20.5
4G48N48M2S	144.0	240	3	8	346.4	18.05	52.5 X 49.5	11	56.5 X 15
12G24N33M4S	144.0	480	3	4	173.2	7.19	30 X 34.5	33	34 X 37

Hi-Temp Duct - Type G

120 kW - 180 kW

Watt Density: 6

Gaumer Catalog Number	kW:	Volts:	Phase	Quantity Circuits	Total Amps	Face Area (Sq. Ft.)	Heater Duct Dim. Ht.x Lgth.(Inches)	Depth (Inches)	Heater Flange Ht.x Wdth.(Inches)
8G24N48M4S	144.0	480	3	4	173.2	10.31	30 X 49.5	22	34 X 26
8G36N33M4S	144.0	480	3	4	173.2	10.78	45 X 34.5	22	49 X 26
6G48N33M4S	144.0	480	3	6	173.2	12.58	52.5 X 34.5	16.5	56.5 X 20.5
4G48N48M4S	144.0	480	3	6	173.2	18.05	52.5 X 49.5	11	56.5 X 15
4G72N33M2S	144.0	480	3	6	173.2	20.63	90 X 33	11	94 X 15
4G72N33M4S	144.0	480	3	6	173.2	21.56	90 X 34.5	11	94 X 15
6G24N64M2S	150.0	240	3	12	360.8	13.65	30 X 65.5	16.5	34 X 20.5
3G60N52M2S	150.0	240	3	3	360.8	27.86	75 X 53.5	8.25	79 X 12.25
2G60N77M2S	150.0	240	3	5	360.9	40.89	75 X 78.5	5.5	79 X 9.5
6G24N64M4S	150.0	480	3	6	180.4	13.65	30 X 65.5	16.5	34 X 20.5
6G18N88M4S	150.0	480	3	6	180.4	13.98	22.5 X 89.5	16.5	26.5 X 20.5
3G60N52M4S	150.0	480	3	3	180.4	27.86	75 X 53.5	8.25	79 X 12.25
3G36N88M4S	150.0	480	3	3	180.4	27.97	45 X 89.5	8.25	49 X 12.25
2G60N77M4S	150.0	480	3	2	180.4	40.89	75 X 78.5	5.5	79 X 9.5
8G18N64M2S	152.0	240	3	12	365.7	10.23	22.5 X 65.5	22	26.5 X 26
4G36N64M2S	152.0	240	3	12	365.7	20.47	45 X 65.5	11	49 X 15
4G60N40M2S	152.0	240	3	10	365.7	21.61	75 X 41.5	11	79 X 15
8G18N64M4S	152.0	480	3	4	182.8	10.23	22.5 X 65.5	22	26.5 X 26
4G36N64M4S	152.0	480	3	6	182.8	20.47	45 X 65.5	11	49 X 15
4G60N40M4S	152.0	480	3	6	182.8	21.61	75 X 41.5	11	79 X 15
3G48N64M2S	153.0	240	3	3	368.1	23.88	52.5 X 65.5	8.25	56.5 X 12.25
3G48N64M4S	153.0	480	3	3	184.0	23.88	52.5 X 65.5	8.25	56.5 X 12.25
2G72N64M2S	154.0	480	3	2	185.2	40.00	90 X 64	5.5	94 X 9.5
2G72N64M4S	154.0	480	3	2	185.2	40.94	90 X 65.5	5.5	94 X 9.5
12G12N64M2S	156.0	240	3	12	375.3	6.82	15 X 65.5	33	19 X 37
12G12N64M4S	156.0	480	3	4	187.6	6.82	15 X 65.5	33	19 X 37
8G24N52M2S	160.0	240	3	12	384.9	11.15	30 X 53.5	22	34 X 26
4G48N52M2S	160.0	240	3	8	384.9	19.51	52.5 X 53.5	11	56.5 X 15
8G24N52M4S	160.0	480	3	2	192.5	11.15	30 X 53.5	22	34 X 26
4G48N52M4S	160.0	480	3	6	192.5	19.51	52.5 X 53.5	11	56.5 X 15
6G36N48M2S	162.0	240	3	9	389.7	15.47	45 X 49.5	16.5	49 X 20.5
6G36N48M4S	162.0	480	3	6	194.9	15.47	45 X 49.5	16.5	49 X 20.5
3G72N48M2S	162.0	480	3	3	194.9	30.00	90 X 48	8.25	94 X 12.25
3G72N48M4S	162.0	480	3	3	194.9	30.94	90 X 49.5	8.25	94 X 12.25
12G18N48M2S	168.0	240	3	12	404.2	7.73	22.5 X 49.5	33	26.5 X 37
12G18N48M4S	168.0	480	3	8	202.1	7.73	22.5 X 49.5	33	26.5 X 37
2G60N88M4S	168.0	480	3	4	202.1	46.61	75 X 89.5	5.5	79 X 9.5
8G36N40M2S	176.0	240	3	12	423.4	12.97	45 X 41.5	22	49 X 26
8G36N40M4S	176.0	480	3	8	211.7	12.97	45 X 41.5	22	49 X 26
12G12N77M2S	180.0	240	3	12	433.0	8.18	15 X 78.5	33	19 X 37
12G18N52M2S	180.0	240	3	12	433.0	8.36	22.5 X 53.5	33	26.5 X 37
12G24N40M2S	180.0	240	3	12	433.0	8.65	30 X 41.5	33	34 X 37
6G48N40M2S	180.0	240	3	12	433.0	15.13	52.5 X 41.5	16.5	56.5 X 20.5
6G24N77M2S	180.0	240	3	12	433.0	16.35	30 X 78.5	16.5	34 X 20.5
6G36N52M2S	180.0	240	3	9	433.0	16.72	45 X 53.5	16.5	49 X 20.5
6G60N33M2S	180.0	240	3	10	433.0	17.97	75 X 34.5	16.5	79 X 20.5
4G36N77M2S	180.0	240	3	12	433.0	24.53	45 X 78.5	11	49 X 15

Hi-Temp Duct - Type G

120 kW - 180 kW

Watt Density: 6

Gaumer Catalog Number	kW:	Volts:	Phase	Quantity Circuits	Total Amps	Face Area (Sq. Ft.)	Heater Duct Dim. Ht.x Lgth.(Inches)	Depth (Inches)	Heater Flange Ht.x Wdth.(Inches)
4G60N48M2S	180.0	240	3	10	433.0	25.78	75 X 49.5	11	79 X 15
3G48N77M2S	180.0	240	3	3	433.0	28.62	52.5 X 78.5	8.25	56.5 X 12.25
12G12N77M4S	180.0	480	3	8	216.5	8.18	15 X 78.5	33	19 X 37
12G18N52M4S	180.0	480	3	8	216.5	8.36	22.5 X 53.5	33	26.5 X 37
12G24N40M4S	180.0	480	3	8	216.5	8.65	30 X 41.5	33	34 X 37
6G48N40M4S	180.0	480	3	6	216.5	15.13	52.5 X 41.5	16.5	56.5 X 20.5
6G24N77M4S	180.0	480	3	6	216.5	16.35	30 X 78.5	16.5	34 X 20.5
6G36N52M4S	180.0	480	3	6	216.5	16.72	45 X 53.5	16.5	49 X 20.5
6G60N33M4S	180.0	480	3	6	216.5	17.97	75 X 34.5	16.5	79 X 20.5
4G36N77M4S	180.0	480	3	6	216.5	24.53	45 X 78.5	11	49 X 15
4G72N40M2S	180.0	480	3	6	216.5	25.00	90 X 40	11	94 X 15
4G60N48M4S	180.0	480	3	6	216.5	25.78	75 X 49.5	11	79 X 15
4G72N40M4S	180.0	480	3	6	216.5	25.94	90 X 41.5	11	94 X 15
3G48N77M4S	180.0	480	3	3	216.5	28.62	52.5 X 78.5	8.25	56.5 X 12.25
3G72N52M2S	180.0	480	3	3	216.5	32.50	90 X 52	8.25	94 X 12.25
3G72N52M4S	180.0	480	3	3	216.5	33.44	90 X 53.5	8.25	94 X 12.25
2G72N77M2S	180.0	480	3	3	216.5	48.13	90 X 77	5.5	94 X 9.5
2G72N77M4S	180.0	480	3	3	216.5	49.06	90 X 78.5	5.5	94 X 9.5

Hi-Temp Duct - Type G

120 kW - 180 kW

Watt Density: 4

Gaumer Catalog Number	kW:	Volts:	Phase	Quantity Circuits	Total Amps	Face Area (Sq. Ft.)	Heater Duct Dim. Ht.x Lgth.(Inches)	Depth (Inches)	Heater Flange Ht.x Wdth.(Inches)
12G24N40H4SY	120.0	480	3	4	144.3	8.65	30 X 41.5	33	34 X 37
4G60N52H4SY	120.0	480	3	6	144.3	27.86	75 X 53.5	11	79 X 15
3G60N61H4SY	126.0	480	3	3	151.6	32.55	75 X 62.5	8.25	79 X 12.25
2G60N88H4SY	126.0	480	3	2	151.6	46.61	75 X 89.5	5.5	79 X 9.5
6G24N78H4SY	132.0	480	3	6	158.8	16.56	30 X 79.5	16.5	34 X 20.5
4G48N61H4SY	132.0	480	3	6	158.8	22.79	52.5 X 62.5	11	56.5 X 15
4G36N78H4SY	132.0	480	3	6	158.8	24.84	45 X 79.5	11	49 X 15
3G48N78H4SY	132.0	480	3	3	158.8	28.98	52.5 X 79.5	8.25	56.5 X 12.25
12G12N78H4SY	133.2	480	3	4	160.2	8.28	15 X 79.5	33	19 X 37
2G72N78H4SY	134.0	480	3	2	161.2	49.69	90 X 79.5	5.5	94 X 9.5
8G18N78H4SY	136.0	480	3	4	163.6	12.42	22.5 X 79.5	22	26.5 X 26
8G24N61H4SY	136.0	480	3	4	163.6	13.02	30 X 62.5	22	34 X 26
12G24N48H4SY	144.0	480	3	4	173.2	10.31	30 X 49.5	33	34 X 37
6G48N52H4SY	144.0	480	3	6	173.2	19.51	52.5 X 53.5	16.5	56.5 X 20.5
4G72N52H4SY	144.0	480	3	6	173.2	33.44	90 X 53.5	11	94 X 15
6G24N88H4SY	150.0	480	3	6	180.4	18.65	30 X 89.5	16.5	34 X 20.5
3G54N78H4SY	150.0	480	3	3	180.4	37.27	67.5 X 79.5	8.25	71.5 X 12.25
3G72N61H4SY	150.0	480	3	3	180.4	39.06	90 X 62.5	8.25	94 X 12.25
2G72N88H4SY	150.0	480	3	2	180.4	55.94	90 X 89.5	5.5	94 X 9.5
8G18N88H4SY	152.0	480	3	4	182.8	13.98	22.5 X 89.5	22	26.5 X 26
4G36N88H4SY	152.0	480	3	6	182.8	27.97	45 X 89.5	11	49 X 15
4G54N61H4SY	152.0	480	3	6	182.8	29.30	67.5 X 62.5	11	71.5 X 15
12G18N61H4SY	156.0	480	3	4	187.6	3.05	22.5 X 19.5	33	26.5 X 37
6G54N52H4SY	162.0	480	3	6	194.9	25.08	67.5 X 53.5	16.5	71.5 X 20.5
3G48N88H4SY	162.0	480	3	3	194.9	32.63	52.5 X 89.5	8.25	56.5 X 12.25
4G60N61H4SY	168.0	480	3	6	202.1	32.55	75 X 62.5	11	79 X 15
3G60N78H4SY	168.0	480	3	3	202.1	41.41	75 X 79.5	8.25	79 X 12.25
3G54N88H4SY	168.0	480	3	3	202.1	41.95	67.5 X 89.5	8.25	71.5 X 12.25
8G24N78H4SY	176.0	480	3	8	211.7	16.56	30 X 79.5	22	34 X 26
4G48N78H4SY	176.0	480	3	6	211.7	28.98	52.5 X 79.5	11	56.5 X 15
6G60N52H4SY	180.0	480	3	6	216.5	27.86	75 X 53.5	16.5	79 X 20.5

GAUMER PROCESS

HEATERS
SYSTEMS
CONTROLS

APPLICATIONS

The Gaumer Electric Process Type G Duct Heater is designed for rugged duty where air must be heated to temperatures higher than what would be normal for comfort heating. Temperatures as high as 1100° F are possible if the heater is properly selected. Contact Gaumer Process for assistance in selecting Type G Duct Heaters.

HEATER SELECTION

Single Row Coil (1G-----)

For heating large quantities of re-circulated air thru a very small temperature rise (to 10 degrees) resulting in a low pressure drop and low heater face velocity (300-1000 fpm).

Two or Three Row Coil (2G-----) or (3G-----)

For heating large quantities of re-circulated air thru a temperature rise (10 to 50 degrees) resulting in a normal pressure drop and average heater face velocity (500-2000 fpm).

Three Row or Four Row Coil (3G-----) or (4G-----)

For average quantities of air thru a normal temperature rise (50-100 degrees) resulting in a low pressure drop and low heater face velocity (500-2000 fpm).

6, 8, 12 Row Coil (6G-----), (8G-----), (12G-----)

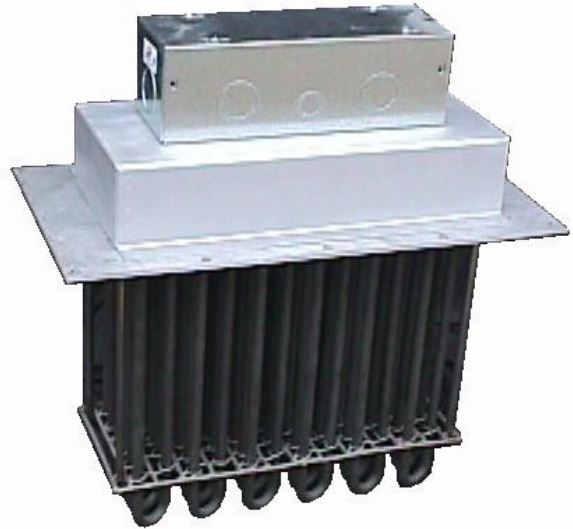
For average quantities of air thru a higher than normal temperature rise (100-600 degrees).

SPECIAL FEATURES

- INS Insulated Section on Element Side of Flange
- SPT Flange Attached Spacer Assembly
- SS Stainless Steel Flange
- W Wattage Other Than Cataloged
- V Voltage Other Than Cataloged
- ER Explosion Resistant Construction
- LT Weatherproof Construction
- J(K) Additional Sheath Sensing Thermocouple for Overheat Protection
- HTR Space Heater Mounted in Terminal Enclosure
- X Special Feature not Listed Above

Hi-Temp Duct - Type G

180 kW - 250 kW



STANDARD FEATURES

Heating Elements

- Incoloy 800 Sheath Material
- Heavy Wall (.035 in.)
- Large Diameter (.475 in.)
- Sealed Terminals

Standard Features

- High Temp Alloy Spacers
- Gaumer "Evenflow" Configuration
- Type K TC for Overheat Protection
- Insulated Terminal Section

Construction

- Welded Heating Elements
- Welded Spacers

Installation

- Flying Leadwires Provided
- Only Standard Materials Needed in Field

Service

- Wiring Modifiable in Field
- Assembly Repairable at Factory

Hi-Temp Duct - Type G

180 kW - 250 kW

Watt Density: 23

Gaumer Catalog Number	kW:	Volts:	Phase	Quantity Circuits	Total Amps	Face Area (Sq. Ft.)	Heater Duct Dim. Ht.x Lgth.(Inches)	Depth (Inches)	Heater Flange Ht.x Wdth.(Inches)
12G6N40M2	180.0	240	3	12	433.0	2.16	7.5 X 41.5	33	11.5 X 37
12G12N20M2	180.0	240	3	12	433.0	2.24	15 X 21.5	33	19 X 37
6G12N40M2	180.0	240	3	12	433.0	4.32	15 X 41.5	16.5	19 X 20.5
6G24N20M2	180.0	240	3	12	433.0	4.48	30 X 21.5	16.5	34 X 20.5
4G18N40M2	180.0	240	3	12	433.0	6.48	22.5 X 41.5	11	26.5 X 15
3G12N77M2	180.0	240	3	3	433.0	8.18	15 X 78.5	8.25	19 X 12.25
3G18N52M2	180.0	240	3	3	433.0	8.36	22.5 X 53.5	8.25	26.5 X 12.25
3G24N40M2	180.0	240	3	3	433.0	8.65	30 X 41.5	8.25	34 X 12.25
2G18N77M2	180.0	240	3	6	433.0	12.27	22.5 X 78.5	5.5	26.5 X 9.5
12G6N40M4	180.0	480	3	8	216.5	2.16	7.5 X 41.5	33	11.5 X 37
12G12N20M4	180.0	480	3	8	216.5	2.24	15 X 21.5	33	19 X 37
6G12N40M4	180.0	480	3	6	216.5	4.32	15 X 41.5	16.5	19 X 20.5
6G24N20M4	180.0	480	3	6	216.5	4.48	30 X 21.5	16.5	34 X 20.5
4G36N20M4	180.0	480	3	6	216.5	6.25	45 X 20	11	49 X 15
4G18N40M4	180.0	480	3	6	216.5	6.48	22.5 X 41.5	11	26.5 X 15
3G48N20M4	180.0	480	3	3	216.5	7.84	52.5 X 21.5	8.25	56.5 X 12.25
3G12N77M4	180.0	480	3	3	216.5	8.18	15 X 78.5	8.25	19 X 12.25
3G18N52M4	180.0	480	3	3	216.5	8.36	22.5 X 53.5	8.25	26.5 X 12.25
3G24N40M4	180.0	480	3	3	216.5	8.65	30 X 41.5	8.25	34 X 12.25
2G18N77M4	180.0	480	3	3	216.5	12.27	22.5 X 78.5	5.5	26.5 X 9.5
2G36N40M4	180.0	480	3	3	216.5	12.50	45 X 40	5.5	49 X 9.5
1G36N77M4	180.0	480	3	6	216.5	24.53	45 X 78.5	2.75	49 X 6.75
1G54N52M4	180.0	480	3	9	216.5	25.08	67.5 X 53.5	2.75	71.5 X 6.75
1G72N40M4	180.0	480	3	6	216.5	25.94	90 X 41.5	2.75	94 X 6.75
8G18N20M2	184.0	240	3	12	442.6	3.36	22.5 X 21.5	22	26.5 X 26
8G18N20M4	184.0	480	3	8	221.3	3.36	22.5 X 21.5	22	26.5 X 26
8G12N33M2	192.0	240	3	12	461.9	3.59	15 X 34.5	22	19 X 26
8G24N18M2	192.0	240	3	12	461.9	4.06	30 X 19.5	22	34 X 26
4G24N33M2	192.0	240	3	16	461.9	7.19	30 X 34.5	11	34 X 15
8G12N33M4	192.0	480	3	8	230.9	3.59	15 X 34.5	22	19 X 26
8G24N18M4	192.0	480	3	8	230.9	4.06	30 X 19.5	22	34 X 26
4G48N18M4	192.0	480	3	6	230.9	7.11	52.5 X 19.5	11	56.5 X 15
4G24N33M4	192.0	480	3	6	230.9	7.19	30 X 34.5	11	34 X 15
2G48N33M4	192.0	480	3	3	230.9	12.58	52.5 X 34.5	5.5	56.5 X 9.5
8G6N64M2	200.0	240	3	12	481.1	3.41	7.5 X 65.5	22	11.5 X 26
4G12N64M2	200.0	240	3	8	481.1	6.82	15 X 65.5	11	19 X 15
8G6N64M4	200.0	480	3	8	240.6	3.41	7.5 X 65.5	22	11.5 X 26
4G12N64M4	200.0	480	3	6	240.6	6.82	15 X 65.5	11	19 X 15
1G60N52M4	200.0	480	3	5	240.6	27.86	75 X 53.5	2.75	79 X 6.75
3G12N88M4	201.0	480	3	3	241.8	9.32	15 X 89.5	8.25	19 X 12.25
2G18N88M4	202.0	480	3	3	243.0	13.98	22.5 X 89.5	5.5	26.5 X 9.5
1G36N88M4	202.0	480	3	6	243.0	27.97	45 X 89.5	2.75	49 X 6.75
2G24N64M2	204.0	240	3	8	490.8	13.65	30 X 65.5	5.5	34 X 9.5
2G24N64M4	204.0	480	3	4	245.4	13.65	30 X 65.5	5.5	34 X 9.5
1G48N64M4	204.0	480	3	4	245.4	23.88	52.5 X 65.5	2.75	56.5 X 6.75
12G6N48M2	216.0	240	3	12	519.6	2.58	7.5 X 49.5	33	11.5 X 37
12G12N25M2	216.0	240	3	12	519.6	2.76	15 X 26.5	33	19 X 37

Hi-Temp Duct - Type G

180 kW - 250 kW

Watt Density: 23

Gaumer Catalog Number	kW:	Volts:	Phase	Quantity Circuits	Total Amps	Face Area (Sq. Ft.)	Heater Duct Dim. Ht.x Lgth.(Inches)	Depth (Inches)	Heater Flange Ht.x Wdth.(Inches)
12G18N18M2	216.0	240	3	12	519.6	3.05	22.5 X 19.5	33	26.5 X 37
8G18N25M2	216.0	240	3	12	519.6	4.14	22.5 X 26.5	22	26.5 X 26
6G12N48M2	216.0	240	3	12	519.6	5.16	15 X 49.5	16.5	19 X 20.5
6G18N33M2	216.0	240	3	18	519.6	5.39	22.5 X 34.5	16.5	26.5 X 20.5
6G24N25M2	216.0	240	3	12	519.6	5.52	30 X 26.5	16.5	34 X 20.5
4G18N48M2	216.0	240	3	12	519.6	7.73	22.5 X 49.5	11	26.5 X 15
3G24N48M2	216.0	240	3	3	519.6	10.31	30 X 49.5	8.25	34 X 12.25
12G6N48M4	216.0	480	3	8	259.8	2.58	7.5 X 49.5	33	11.5 X 37
12G12N25M4	216.0	480	3	8	259.8	2.76	15 X 26.5	33	19 X 37
12G18N18M4	216.0	480	3	8	259.8	3.05	22.5 X 19.5	33	26.5 X 37
8G18N25M4	216.0	480	3	8	259.8	4.14	22.5 X 26.5	22	26.5 X 26
6G12N48M4	216.0	480	3	6	259.8	5.16	15 X 49.5	16.5	19 X 20.5
6G18N33M4	216.0	480	3	6	259.8	5.39	22.5 X 34.5	16.5	26.5 X 20.5
6G24N25M4	216.0	480	3	6	259.8	5.52	30 X 26.5	16.5	34 X 20.5
6G36N18M4	216.0	480	3	6	259.8	5.63	45 X 18	16.5	49 X 20.5
4G18N48M4	216.0	480	3	6	259.8	7.73	22.5 X 49.5	11	26.5 X 15
4G36N25M4	216.0	480	3	6	259.8	7.81	45 X 25	11	49 X 15
3G48N25M4	216.0	480	3	3	259.8	9.66	52.5 X 26.5	8.25	56.5 X 12.25
3G24N48M4	216.0	480	3	3	259.8	10.31	30 X 49.5	8.25	34 X 12.25
3G36N33M4	216.0	480	3	3	259.8	10.31	45 X 33	8.25	49 X 12.25
2G36N48M4	216.0	480	3	3	259.8	15.00	45 X 48	5.5	49 X 9.5
1G54N64M4	230.0	480	3	9	276.7	30.70	67.5 X 65.5	2.75	71.5 X 6.75
3G18N64M2	231.0	240	3	3	555.7	10.23	22.5 X 65.5	8.25	26.5 X 12.25
3G18N64M4	231.0	480	3	3	277.8	10.23	22.5 X 65.5	8.25	26.5 X 12.25
12G6N52M2	240.0	240	3	12	577.4	2.79	7.5 X 53.5	33	11.5 X 37
8G6N77M2	240.0	240	3	12	577.4	4.09	7.5 X 78.5	22	11.5 X 26
8G12N40M2	240.0	240	3	12	577.4	4.32	15 X 41.5	22	19 X 26
8G24N20M2	240.0	240	3	12	577.4	4.48	30 X 21.5	22	34 X 26
6G12N52M2	240.0	240	3	12	577.4	5.57	15 X 53.5	16.5	19 X 20.5
4G12N77M2	240.0	240	3	8	577.4	8.18	15 X 78.5	11	19 X 15
4G18N52M2	240.0	240	3	12	577.4	8.36	22.5 X 53.5	11	26.5 X 15
4G24N40M2	240.0	240	3	16	577.4	8.65	30 X 41.5	11	34 X 15
3G24N52M2	240.0	240	3	3	577.4	11.15	30 X 53.5	8.25	34 X 12.25
2G24N77M2	240.0	240	3	8	577.4	16.35	30 X 78.5	5.5	34 X 9.5
12G6N52M4	240.0	480	3	12	288.7	2.79	7.5 X 53.5	33	11.5 X 37
8G6N77M4	240.0	480	3	12	288.7	4.09	7.5 X 78.5	22	11.5 X 26
8G12N40M4	240.0	480	3	12	288.7	4.32	15 X 41.5	22	19 X 26
8G24N20M4	240.0	480	3	12	288.7	4.48	30 X 21.5	22	34 X 26
6G12N52M4	240.0	480	3	6	288.7	5.57	15 X 53.5	16.5	19 X 20.5
4G48N20M4	240.0	480	3	6	288.7	7.84	52.5 X 21.5	11	56.5 X 15
4G12N77M4	240.0	480	3	6	288.7	8.18	15 X 78.5	11	19 X 15
4G18N52M4	240.0	480	3	6	288.7	8.36	22.5 X 53.5	11	26.5 X 15
4G24N40M4	240.0	480	3	6	288.7	8.65	30 X 41.5	11	34 X 15
3G24N52M4	240.0	480	3	3	288.7	11.15	30 X 53.5	8.25	34 X 12.25
2G48N40M4	240.0	480	3	3	288.7	15.13	52.5 X 41.5	5.5	56.5 X 9.5
2G36N52M4	240.0	480	3	3	288.7	16.25	45 X 52	5.5	49 X 9.5
2G24N77M4	240.0	480	3	4	288.7	16.35	30 X 78.5	5.5	34 X 9.5

Hi-Temp Duct - Type G

180 kW - 250 kW

Watt Density: 23

Gaumer Catalog Number	kW:	Volts:	Phase	Quantity Circuits	Total Amps	Face Area (Sq. Ft.)	Heater Duct Dim. Ht.x Lgth.(Inches)	Depth (Inches)	Heater Flange Ht.x Wdth.(Inches)
1G48N77M4	240.0	480	3	8	288.7	28.62	52.5 X 78.5	2.75	56.5 X 6.75
1G72N52M4	240.0	480	3	6	288.7	33.44	90 X 53.5	2.75	94 X 6.75

Hi-Temp Duct - Type G

180 kW - 250 kW

Watt Density: 20

Gaumer Catalog Number	kW:	Volts:	Phase	Quantity Circuits	Total Amps	Face Area (Sq. Ft.)	Heater Duct Dim. Ht.x Lgth.(Inches)	Depth (Inches)	Heater Flange Ht.x Wdth.(Inches)
6G18N33B2Y	180.0	240	3	9	433.0	5.39	22.5 X 34.5	16.5	26.5 X 20.5
3G18N61B2Y	180.0	240	3	3	433.0	9.77	22.5 X 62.5	8.25	26.5 X 12.25
6G18N33B4Y	180.0	480	3	6	216.5	5.39	22.5 X 34.5	16.5	26.5 X 20.5
3G18N61B4Y	180.0	480	3	3	216.5	9.77	22.5 X 62.5	8.25	26.5 X 12.25
3G36N33B4Y	180.0	480	3	3	216.5	10.78	45 X 34.5	8.25	49 X 12.25
2G54N33B4Y	180.0	480	3	3	216.5	16.17	67.5 X 34.5	5.5	71.5 X 9.5
1G54N61B4Y	180.0	480	3	9	216.5	29.30	67.5 X 62.5	2.75	71.5 X 6.75
8G24N20B2Y	184.0	240	3	12	442.6	4.48	30 X 21.5	22	34 X 26
8G24N20B4Y	184.0	480	3	8	221.3	4.48	30 X 21.5	22	34 X 26
12G12N25B2Y	192.0	240	3	12	461.9	2.76	15 X 26.5	33	19 X 37
12G18N18B2Y	192.0	240	3	12	461.9	3.05	22.5 X 19.5	33	26.5 X 37
8G18N25B2Y	192.0	240	3	12	461.9	4.14	22.5 X 26.5	22	26.5 X 26
6G24N25B2Y	192.0	240	3	12	461.9	5.52	30 X 26.5	16.5	34 X 20.5
12G12N25B4Y	192.0	480	3	8	230.9	2.76	15 X 26.5	33	19 X 37
12G18N18B4Y	192.0	480	3	8	230.9	3.05	22.5 X 19.5	33	26.5 X 37
8G18N25B4Y	192.0	480	3	8	230.9	4.14	22.5 X 26.5	22	26.5 X 26
6G24N25B4Y	192.0	480	3	6	230.9	5.52	30 X 26.5	16.5	34 X 20.5
6G12N52B2Y	198.0	240	3	12	476.3	5.57	15 X 53.5	16.5	19 X 20.5
6G12N52B4Y	198.0	480	3	6	238.2	5.57	15 X 53.5	16.5	19 X 20.5
4G18N52B2Y	200.0	240	3	12	481.1	8.36	22.5 X 53.5	11	26.5 X 15
4G18N52B4Y	200.0	480	3	6	240.6	8.36	22.5 X 53.5	11	26.5 X 15
4G30N33B4Y	200.0	480	3	6	240.6	8.98	37.5 X 34.5	11	41.5 X 15
2G36N52B4Y	200.0	480	3	3	240.6	16.25	45 X 52	5.5	49 X 9.5
1G60N61B4Y	200.0	480	3	5	240.6	32.55	75 X 62.5	2.75	79 X 6.75
1G72N52B4Y	200.0	480	3	6	240.6	33.44	90 X 53.5	2.75	94 X 6.75
3G24N52B2Y	201.0	240	3	3	483.5	11.15	30 X 53.5	8.25	34 X 12.25
3G24N52B4Y	201.0	480	3	3	241.8	11.15	30 X 53.5	8.25	34 X 12.25
3G30N43B4Y	201.0	480	3	3	241.8	11.59	37.5 X 44.5	8.25	41.5 X 12.25
12G6N52B2Y	204.0	240	3	12	490.8	2.79	7.5 X 53.5	33	11.5 X 37
12G18N20B2Y	204.0	240	3	12	490.8	3.36	22.5 X 21.5	33	26.5 X 37
12G6N52B4Y	204.0	480	3	8	245.4	2.79	7.5 X 53.5	33	11.5 X 37
12G18N20B4Y	204.0	480	3	8	245.4	3.36	22.5 X 21.5	33	26.5 X 37
4G24N43B2Y	212.0	240	3	16	510.0	9.27	30 X 44.5	11	34 X 15
4G24N43B4Y	212.0	480	3	6	255.0	9.27	30 X 44.5	11	34 X 15
2G48N43B4Y	214.0	480	3	3	257.4	16.22	52.5 X 44.5	5.5	56.5 X 9.5
8G12N43B2Y	216.0	240	3	12	519.6	4.64	15 X 44.5	22	19 X 26
8G12N43B4Y	216.0	480	3	8	259.8	4.64	15 X 44.5	22	19 X 26
4G12N78B2Y	236.0	240	3	8	567.7	8.13	15 X 78	11	19 X 15
2G24N78B2Y	236.0	240	3	8	567.7	16.25	30 X 78	5.5	34 X 9.5
4G12N88B4Y	236.0	480	3	6	283.9	9.32	15 X 89.5	11	19 X 15
2G24N88B4Y	236.0	480	3	4	283.9	18.65	30 X 89.5	5.5	34 X 9.5
1G48N88B4Y	237.0	480	3	6	285.1	37.29	60 X 89.5	2.75	6.75 X 6.75
12G6N61B2Y	240.0	240	3	12	577.4	3.26	7.5 X 62.5	33	11.5 X 37
12G12N33B2Y	240.0	240	3	12	577.4	3.59	15 X 34.5	33	19 X 37
8G6N78B2Y	240.0	240	3	12	577.4	4.06	7.5 X 78	22	11.5 X 26
8G18N33B2Y	240.0	240	3	12	577.4	5.39	22.5 X 34.5	22	26.5 X 26
6G12N61B2Y	240.0	240	3	12	577.4	6.51	15 X 62.5	16.5	19 X 20.5

Hi-Temp Duct - Type G

180 kW - 250 kW

Watt Density: 20

Gaumer Catalog Number	kW:	Volts:	Phase	Quantity Circuits	Total Amps	Face Area (Sq. Ft.)	Heater Duct Dim. Ht.x Lgth.(Inches)	Depth (Inches)	Heater Flange Ht.x Wdth.(Inches)
6G18N43B2Y	240.0	240	3	18	577.4	6.95	22.5 X 44.5	16.5	26.5 X 20.5
6G24N33B2Y	240.0	240	3	12	577.4	7.19	30 X 34.5	16.5	34 X 20.5
4G18N61B2Y	240.0	240	3	12	577.4	9.77	22.5 X 62.5	11	26.5 X 15
3G24N61B2Y	240.0	240	3	3	577.4	13.02	30 X 62.5	8.25	34 X 12.25
12G6N61B4Y	240.0	480	3	12	288.7	3.26	7.5 X 62.5	33	11.5 X 37
12G12N33B4Y	240.0	480	3	12	288.7	3.59	15 X 34.5	33	19 X 37
8G6N88B4Y	240.0	480	3	12	288.7	4.66	7.5 X 89.5	22	11.5 X 26
8G18N33B4Y	240.0	480	3	12	288.7	5.39	22.5 X 34.5	22	26.5 X 26
6G12N61B4Y	240.0	480	3	6	288.7	6.51	15 X 62.5	16.5	19 X 20.5
6G18N43B4Y	240.0	480	3	6	288.7	6.95	22.5 X 44.5	16.5	26.5 X 20.5
6G24N33B4Y	240.0	480	3	6	288.7	7.19	30 X 34.5	16.5	34 X 20.5
4G18N61B4Y	240.0	480	3	6	288.7	9.77	22.5 X 62.5	11	26.5 X 15
4G36N33B4Y	240.0	480	3	6	288.7	10.78	45 X 34.5	11	49 X 15
3G48N33B4Y	240.0	480	3	3	288.7	12.58	52.5 X 34.5	8.25	56.5 X 12.25
3G24N61B4Y	240.0	480	3	3	288.7	13.02	30 X 62.5	8.25	34 X 12.25
3G36N43B4Y	240.0	480	3	3	288.7	13.91	45 X 44.5	8.25	49 X 12.25
2G36N61B4Y	240.0	480	3	3	288.7	19.06	45 X 61	5.5	49 X 9.5
2G54N43B4Y	240.0	480	3	3	288.7	20.86	67.5 X 44.5	5.5	71.5 X 9.5
2G72N33B4Y	240.0	480	3	3	288.7	21.56	90 X 34.5	5.5	94 X 9.5
1G72N61B4Y	240.0	480	3	6	288.7	39.06	90 X 62.5	2.75	94 X 6.75
3G30N52B4Y	249.0	480	3	3	299.5	13.93	37.5 X 53.5	8.25	41.5 X 12.25

Hi-Temp Duct - Type G

180 kW - 250 kW

Watt Density: 15

Gaumer Catalog Number	kW:	Volts:	Phase	Quantity Circuits	Total Amps	Face Area (Sq. Ft.)	Heater Duct Dim. Ht.x Lgth.(Inches)	Depth (Inches)	Heater Flange Ht.x Wdth.(Inches)
12G6N61B2S	180.0	240	3	12	433.0	3.26	7.5 X 62.5	33	11.5 X 37
12G18N20H2Y	180.0	240	3	12	433.0	3.36	22.5 X 21.5	33	26.5 X 37
12G12N33B2S	180.0	240	3	12	433.0	3.59	15 X 34.5	33	19 X 37
6G18N40H2Y	180.0	240	3	18	433.0	6.48	22.5 X 41.5	16.5	26.5 X 20.5
6G12N61B2S	180.0	240	3	12	433.0	6.51	15 X 62.5	16.5	19 X 20.5
6G18N43B2S	180.0	240	3	18	433.0	6.95	22.5 X 44.5	16.5	26.5 X 20.5
6G24N33B2S	180.0	240	3	12	433.0	7.19	30 X 34.5	16.5	34 X 20.5
4G18N61B2S	180.0	240	3	12	433.0	9.77	22.5 X 62.5	11	26.5 X 15
3G24N61B2S	180.0	240	3	3	433.0	13.02	30 X 62.5	8.25	34 X 12.25
12G6N61B4S	180.0	480	3	8	216.5	3.26	7.5 X 62.5	33	11.5 X 37
12G18N20H4Y	180.0	480	3	8	216.5	3.36	22.5 X 21.5	33	26.5 X 37
12G12N33B4S	180.0	480	3	8	216.5	3.59	15 X 34.5	33	19 X 37
6G18N40H4Y	180.0	480	3	6	216.5	6.48	22.5 X 41.5	16.5	26.5 X 20.5
6G12N61B4S	180.0	480	3	6	216.5	6.51	15 X 62.5	16.5	19 X 20.5
6G18N43B4S	180.0	480	3	6	216.5	6.95	22.5 X 44.5	16.5	26.5 X 20.5
6G24N33B4S	180.0	480	3	6	216.5	7.19	30 X 34.5	16.5	34 X 20.5
4G18N61B4S	180.0	480	3	6	216.5	9.77	22.5 X 62.5	11	26.5 X 15
4G36N33B4S	180.0	480	3	6	216.5	10.31	45 X 33	11	49 X 15
3G48N33B4S	180.0	480	3	3	216.5	12.58	52.5 X 34.5	8.25	56.5 X 12.25
3G36N40H4Y	180.0	480	3	3	216.5	12.97	45 X 41.5	8.25	49 X 12.25
3G24N61B4S	180.0	480	3	3	216.5	13.02	30 X 62.5	8.25	34 X 12.25
3G36N43B4S	180.0	480	3	3	216.5	13.44	45 X 43	8.25	49 X 12.25
2G36N61B4S	180.0	480	3	3	216.5	19.06	45 X 61	5.5	49 X 9.5
2G54N40H4Y	180.0	480	3	3	216.5	19.45	67.5 X 41.5	5.5	71.5 X 9.5
2G54N43B4S	180.0	480	3	3	216.5	20.86	67.5 X 44.5	5.5	71.5 X 9.5
2G72N33B4S	180.0	480	3	3	216.5	21.56	90 X 34.5	5.5	94 X 9.5
1G72N61B4S	180.0	480	3	6	216.5	39.06	90 X 62.5	2.75	94 X 6.75
8G18N33B2S	184.0	240	3	12	442.6	5.39	22.5 X 34.5	22	26.5 X 26
8G18N33B4S	184.0	480	3	8	221.3	5.39	22.5 X 34.5	22	26.5 X 26
3G30N52B4S	189.0	480	3	3	227.3	13.93	37.5 X 53.5	8.25	41.5 X 12.25
12G12N33H2Y	192.0	240	3	12	461.9	3.59	15 X 34.5	33	19 X 37
12G24N18B2S	192.0	240	3	12	461.9	4.06	30 X 19.5	33	34 X 37
12G24N18H2Y	192.0	240	3	12	461.9	4.06	30 X 19.5	33	34 X 37
8G12N48H2Y	192.0	240	3	12	461.9	5.16	15 X 49.5	22	19 X 26
8G18N33H2Y	192.0	240	3	12	461.9	5.39	22.5 X 34.5	22	26.5 X 26
8G24N25H2Y	192.0	240	3	12	461.9	5.52	30 X 26.5	22	34 X 26
8G24N25B2S	192.0	240	3	12	461.9	5.52	30 X 26.5	22	34 X 26
6G24N33H2Y	192.0	240	3	12	461.9	7.19	30 X 34.5	16.5	34 X 20.5
4G24N48H2Y	192.0	240	3	16	461.9	10.31	30 X 49.5	11	34 X 15
12G12N33H4Y	192.0	480	3	8	230.9	3.59	15 X 34.5	33	19 X 37
12G24N18B4S	192.0	480	3	8	230.9	4.06	30 X 19.5	33	34 X 37
12G24N18H4Y	192.0	480	3	8	230.9	4.06	30 X 19.5	33	34 X 37
8G12N48H4Y	192.0	480	3	8	230.9	5.16	15 X 49.5	22	19 X 26
8G18N33H4Y	192.0	480	3	8	230.9	5.39	22.5 X 34.5	22	26.5 X 26
8G24N25H4Y	192.0	480	3	8	230.9	5.52	30 X 26.5	22	34 X 26
8G24N25B4S	192.0	480	3	8	230.9	5.52	30 X 26.5	22	34 X 26
6G24N33H4Y	192.0	480	3	6	230.9	7.19	30 X 34.5	16.5	34 X 20.5

Hi-Temp Duct - Type G

180 kW - 250 kW

Watt Density: 15

Gaumer Catalog Number	kW:	Volts:	Phase	Quantity Circuits	Total Amps	Face Area (Sq. Ft.)	Heater Duct Dim. Ht.x Lgth.(Inches)	Depth (Inches)	Heater Flange Ht.x Wdth.(Inches)
4G24N48H4Y	192.0	480	3	6	230.9	10.31	30 X 49.5	11	34 X 15
4G36N33H4Y	192.0	480	3	6	230.9	10.78	45 X 34.5	11	49 X 15
3G48N33H4Y	192.0	480	3	3	230.9	12.58	52.5 X 34.5	8.25	56.5 X 12.25
2G48N52H4Y	192.0	480	3	4	230.9	19.51	52.5 X 53.5	5.5	56.5 X 9.5
2G72N33H4Y	192.0	480	3	3	230.9	21.56	90 X 34.5	5.5	94 X 9.5
6G12N61H2Y	198.0	240	3	12	476.3	6.51	15 X 62.5	16.5	19 X 20.5
6G12N61H4Y	198.0	480	3	6	238.2	6.51	15 X 62.5	16.5	19 X 20.5
8G12N52B2S	200.0	240	3	12	481.1	5.57	15 X 53.5	22	19 X 26
4G24N52B2S	200.0	240	3	16	481.1	11.15	30 X 53.5	11	34 X 15
8G6N88H4Y	200.0	480	3	8	240.6	4.66	7.5 X 89.5	22	11.5 X 26
8G12N52B4S	200.0	480	3	8	240.6	5.57	15 X 53.5	22	19 X 26
4G12N88H4Y	200.0	480	3	6	240.6	9.32	15 X 89.5	11	19 X 15
4G18N61H4Y	200.0	480	3	6	240.6	9.77	22.5 X 62.5	11	26.5 X 15
4G24N52B4S	200.0	480	3	6	240.6	11.15	30 X 53.5	11	34 X 15
4G30N43B4S	200.0	480	3	6	240.6	11.59	37.5 X 44.5	11	41.5 X 15
2G24N88H4Y	200.0	480	3	4	240.6	18.65	30 X 89.5	5.5	34 X 9.5
2G48N52B4S	200.0	480	3	4	240.6	18.96	52.5 X 52	5.5	56.5 X 9.5
2G36N61H4Y	200.0	480	3	3	240.6	19.53	45 X 62.5	5.5	49 X 9.5
2G60N40H4Y	200.0	480	3	4	240.6	21.61	75 X 41.5	5.5	79 X 9.5
2G60N43B4S	200.0	480	3	4	240.6	22.40	75 X 43	5.5	79 X 9.5
1G48N88H4Y	200.0	480	3	8	240.6	32.63	52.5 X 89.5	2.75	56.5 X 6.75
1G54N78H4Y	200.0	480	3	9	240.6	37.27	67.5 X 79.5	2.75	71.5 X 6.75
1G72N61H4Y	200.0	480	3	6	240.6	39.06	90 X 62.5	2.75	94 X 6.75
1G54N88B4S	200.0	480	3	9	240.6	41.95	67.5 X 89.5	2.75	71.5 X 6.75
3G18N78B2S	201.0	240	3	3	483.5	12.19	22.5 X 78	8.25	26.5 X 12.25
3G24N61H2Y	201.0	240	3	3	483.5	13.02	30 X 62.5	8.25	34 X 12.25
3G18N78H4Y	201.0	480	3	3	241.8	12.42	22.5 X 79.5	8.25	26.5 X 12.25
3G24N61H4Y	201.0	480	3	3	241.8	13.02	30 X 62.5	8.25	34 X 12.25
3G18N88B4S	201.0	480	3	3	241.8	13.98	22.5 X 89.5	8.25	26.5 X 12.25
12G6N61H2Y	204.0	240	3	12	490.8	3.26	7.5 X 62.5	33	11.5 X 37
12G24N20B2S	204.0	240	3	12	490.8	4.48	30 X 21.5	33	34 X 37
12G6N61H4Y	204.0	480	3	8	245.4	3.26	7.5 X 62.5	33	11.5 X 37
12G24N20B4S	204.0	480	3	8	245.4	4.48	30 X 21.5	33	34 X 37
3G54N33B4S	204.0	480	3	3	245.4	16.17	67.5 X 34.5	8.25	71.5 X 12.25
12G18N25B2S	216.0	240	3	12	519.6	4.14	22.5 X 26.5	33	26.5 X 37
12G18N25H2Y	216.0	240	3	12	519.6	4.14	22.5 X 26.5	33	26.5 X 37
6G18N48H2Y	216.0	240	3	18	519.6	7.73	22.5 X 49.5	16.5	26.5 X 20.5
12G18N25B4S	216.0	480	3	8	259.8	4.14	22.5 X 26.5	33	26.5 X 37
12G18N25H4Y	216.0	480	3	8	259.8	4.14	22.5 X 26.5	33	26.5 X 37
6G18N48H4Y	216.0	480	3	6	259.8	7.73	22.5 X 49.5	16.5	26.5 X 20.5
3G54N33H4Y	216.0	480	3	3	259.8	16.17	67.5 X 34.5	8.25	71.5 X 12.25
3G36N52H4Y	216.0	480	3	3	259.8	16.72	45 X 53.5	8.25	49 X 12.25
2G54N52H4Y	216.0	480	3	3	259.8	25.08	67.5 X 53.5	5.5	71.5 X 9.5
2G60N88B4S	222.0	480	3	4	267.0	22.92	37.5 X 88	5.5	41.5 X 9.5
1G60N78H4Y	222.0	480	3	9	267.0	41.41	75 X 79.5	2.75	79 X 6.75
1G60N88B4S	222.0	480	3	5	267.0	46.61	75 X 89.5	2.75	79 X 6.75
3G18N88H4Y	225.0	480	3	3	270.6	13.98	22.5 X 89.5	8.25	26.5 X 12.25

Hi-Temp Duct - Type G

180 kW - 250 kW

Watt Density: 15

Gaumer Catalog Number	kW:	Volts:	Phase	Quantity Circuits	Total Amps	Face Area (Sq. Ft.)	Heater Duct Dim. Ht.x Lgth.(Inches)	Depth (Inches)	Heater Flange Ht.x Wdth.(Inches)
3G36N52B4S	225.0	480	3	3	270.6	16.25	45 X 52	8.25	49 X 12.25
3G30N61B4S	225.0	480	3	3	270.6	16.28	37.5 X 62.5	8.25	41.5 X 12.25
3G60N33B4S	225.0	480	3	3	270.6	17.97	75 X 34.5	8.25	79 X 12.25
1G54N88H4Y	225.0	480	3	9	270.6	41.95	67.5 X 89.5	2.75	71.5 X 6.75
2G54N52B4S	226.0	480	3	3	271.8	25.08	67.5 X 53.5	5.5	71.5 X 9.5
6G18N52B2S	228.0	240	3	18	548.5	8.36	22.5 X 53.5	16.5	26.5 X 20.5
6G18N52B4S	228.0	480	3	6	274.2	8.36	22.5 X 53.5	16.5	26.5 X 20.5
6G30N33B4S	228.0	480	3	6	274.2	8.98	37.5 X 34.5	16.5	41.5 X 20.5
12G12N40H2Y	240.0	240	3	12	577.4	4.32	15 X 41.5	33	19 X 37
12G24N20H2Y	240.0	240	3	12	577.4	4.48	30 X 21.5	33	34 X 37
12G12N43B2S	240.0	240	3	12	577.4	4.64	15 X 44.5	33	19 X 37
8G18N40H2Y	240.0	240	3	12	577.4	6.48	22.5 X 41.5	22	26.5 X 26
8G12N61B2S	240.0	240	3	12	577.4	6.51	15 X 62.5	22	19 X 26
8G18N43B2S	240.0	240	3	12	577.4	6.95	22.5 X 44.5	22	26.5 X 26
8G24N33B2S	240.0	240	3	12	577.4	7.19	30 X 34.5	22	34 X 26
6G24N40H2Y	240.0	240	3	12	577.4	8.65	30 X 41.5	16.5	34 X 20.5
6G24N43B2S	240.0	240	3	12	577.4	9.27	30 X 44.5	16.5	34 X 20.5
4G24N61B2S	240.0	240	3	16	577.4	13.02	30 X 62.5	11	34 X 15
12G12N40H4Y	240.0	480	3	12	288.7	4.32	15 X 41.5	33	19 X 37
12G24N20H4Y	240.0	480	3	12	288.7	4.48	30 X 21.5	33	34 X 37
12G12N43B4S	240.0	480	3	12	288.7	4.64	15 X 44.5	33	19 X 37
8G18N40H4Y	240.0	480	3	12	288.7	6.48	22.5 X 41.5	22	26.5 X 26
8G12N61B4S	240.0	480	3	12	288.7	6.51	15 X 62.5	22	19 X 26
8G18N43B4S	240.0	480	3	12	288.7	6.95	22.5 X 44.5	22	26.5 X 26
8G24N33B4S	240.0	480	3	12	288.7	7.19	30 X 34.5	22	34 X 26
6G24N40H4Y	240.0	480	3	6	288.7	8.65	30 X 41.5	16.5	34 X 20.5
6G24N43B4S	240.0	480	3	6	288.7	9.27	30 X 44.5	16.5	34 X 20.5
4G48N33B4S	240.0	480	3	6	288.7	12.58	52.5 X 34.5	11	56.5 X 15
4G36N40H4Y	240.0	480	3	6	288.7	12.97	45 X 41.5	11	49 X 15
4G24N61B4S	240.0	480	3	6	288.7	13.02	30 X 62.5	11	34 X 15
4G36N43B4S	240.0	480	3	6	288.7	13.44	45 X 43	11	49 X 15
3G48N40H4Y	240.0	480	3	3	288.7	15.13	52.5 X 41.5	8.25	56.5 X 12.25
3G48N43B4S	240.0	480	3	3	288.7	16.22	52.5 X 44.5	8.25	56.5 X 12.25
3G60N33H4Y	240.0	480	3	3	288.7	17.97	75 X 34.5	8.25	79 X 12.25
2G48N61B4S	240.0	480	3	4	288.7	22.24	52.5 X 61	5.5	56.5 X 9.5
2G72N40H4Y	240.0	480	3	3	288.7	25.94	90 X 41.5	5.5	94 X 9.5
2G72N43B4S	240.0	480	3	3	288.7	27.81	90 X 44.5	5.5	94 X 9.5
2G60N52H4Y	240.0	480	3	4	288.7	27.86	75 X 53.5	5.5	79 X 9.5
2G60N52B4S	250.0	480	3	5	300.7	27.86	75 X 53.5	5.5	79 X 9.5
1G60N88H4Y	250.0	480	3	5	300.7	46.61	75 X 89.5	2.75	79 X 6.75

Hi-Temp Duct - Type G

180 kW - 250 kW

Watt Density: 12

Gaumer Catalog Number	kW:	Volts:	Phase	Quantity Circuits	Total Amps	Face Area (Sq. Ft.)	Heater Duct Dim. Ht.x Lgth.(Inches)	Depth (Inches)	Heater Flange Ht.x Wdth.(Inches)
12G12N40H2S	180.0	240	3	12	433.0	4.32	15 X 41.5	33	19 X 37
12G24N20H2S	180.0	240	3	12	433.0	4.48	30 X 21.5	33	34 X 37
6G24N40H2S	180.0	240	3	12	433.0	8.65	30 X 41.5	16.5	34 X 20.5
12G12N40H4S	180.0	480	3	8	216.5	4.32	15 X 41.5	33	19 X 37
12G24N20H4S	180.0	480	3	8	216.5	4.48	30 X 21.5	33	34 X 37
6G24N40H4S	180.0	480	3	6	216.5	8.65	30 X 41.5	16.5	34 X 20.5
2G60N52H4S	180.0	480	3	4	216.5	27.86	75 X 53.5	5.5	79 X 9.5
8G18N40H2S	184.0	240	3	12	442.6	6.48	22.5 X 41.5	22	26.5 X 26
8G18N40H4S	184.0	480	3	8	221.3	6.48	22.5 X 41.5	22	26.5 X 26
1G60N88H4S	188.0	480	3	5	226.1	46.61	75 X 89.5	2.75	79 X 6.75
8G24N33H2S	192.0	240	3	12	461.9	7.19	30 X 34.5	22	34 X 26
8G24N33H4S	192.0	480	3	8	230.9	7.19	30 X 34.5	22	34 X 26
6G12N78H2S	198.0	240	3	12	476.3	8.28	15 X 79.5	16.5	19 X 20.5
6G12N78H4S	198.0	480	3	6	238.2	8.28	15 X 79.5	16.5	19 X 20.5
8G12N61H2S	200.0	240	3	12	481.1	6.51	15 X 62.5	22	19 X 26
4G18N78H2S	200.0	240	3	12	481.1	12.42	22.5 X 79.5	11	26.5 X 15
4G24N61H2S	200.0	240	3	16	481.1	13.02	30 X 62.5	11	34 X 15
8G12N61H4S	200.0	480	3	8	240.6	6.51	15 X 62.5	22	19 X 26
4G18N78H4S	200.0	480	3	6	240.6	12.42	22.5 X 79.5	11	26.5 X 15
4G24N61H4S	200.0	480	3	6	240.6	13.02	30 X 62.5	11	34 X 15
2G48N61H4S	200.0	480	3	4	240.6	22.79	52.5 X 62.5	5.5	56.5 X 9.5
2G36N78H4S	200.0	480	3	3	240.6	24.84	45 X 79.5	5.5	49 X 9.5
1G72N78H4S	200.0	480	3	6	240.6	49.69	90 X 79.5	2.75	94 X 6.75
3G24N78H2S	201.0	240	3	3	483.5	16.56	30 X 79.5	8.25	34 X 12.25
3G24N78H4S	201.0	480	3	3	241.8	16.56	30 X 79.5	8.25	34 X 12.25
12G6N78H2S	204.0	240	3	12	490.8	4.14	7.5 X 79.5	33	11.5 X 37
12G6N78H4S	204.0	480	3	8	245.4	4.14	7.5 X 79.5	33	11.5 X 37
12G12N48H2S	216.0	240	3	12	519.6	5.16	15 X 49.5	33	19 X 37
12G18N33H2S	216.0	240	3	12	519.6	5.39	22.5 X 34.5	33	26.5 X 37
12G24N25H2S	216.0	240	3	12	519.6	5.52	30 X 26.5	33	34 X 37
8G18N48H2S	216.0	240	3	12	519.6	7.73	22.5 X 49.5	22	26.5 X 26
6G24N48H2S	216.0	240	3	12	519.6	10.31	30 X 49.5	16.5	34 X 20.5
12G12N48H4S	216.0	480	3	8	259.8	5.16	15 X 49.5	33	19 X 37
12G18N33H4S	216.0	480	3	8	259.8	5.39	22.5 X 34.5	33	26.5 X 37
12G24N25H4S	216.0	480	3	8	259.8	5.52	30 X 26.5	33	34 X 37
8G18N48H4S	216.0	480	3	8	259.8	7.73	22.5 X 49.5	22	26.5 X 26
6G24N48H4S	216.0	480	3	6	259.8	10.31	30 X 49.5	16.5	34 X 20.5
4G36N52H4S	216.0	480	3	6	259.8	16.72	45 X 53.5	11	49 X 15
3G48N52H4S	216.0	480	3	3	259.8	19.51	52.5 X 53.5	8.25	56.5 X 12.25
2G72N52H4S	216.0	480	3	3	259.8	33.44	90 X 53.5	5.5	94 X 9.5
4G18N88H4D	224.0	240	3	12	538.9	13.98	22.5 X 89.5	11	26.5 X 15
4G18N88H4S	224.0	480	3	6	269.4	13.98	22.5 X 89.5	11	26.5 X 15
2G36N88H4S	224.0	480	3	3	269.4	27.97	45 X 89.5	5.5	49 X 9.5
3G24N88H4D	225.0	240	3	3	541.3	18.65	30 X 89.5	8.25	34 X 12.25
3G24N88H4S	225.0	480	3	3	270.6	18.65	30 X 89.5	8.25	34 X 12.25
3G36N61H4S	225.0	480	3	3	270.6	19.53	45 X 62.5	8.25	49 X 12.25
1G72N88H4S	225.0	480	3	6	270.6	55.94	90 X 89.5	2.75	94 X 6.75

Hi-Temp Duct - Type G

180 kW - 250 kW

Watt Density: 12

Gaumer Catalog Number	kW:	Volts:	Phase	Quantity Circuits	Total Amps	Face Area (Sq. Ft.)	Heater Duct Dim. Ht.x Lgth.(Inches)	Depth (Inches)	Heater Flange Ht.x Wdth.(Inches)
2G54N61H4S	226.0	480	3	3	271.8	29.30	67.5 X 62.5	5.5	71.5 X 9.5
12G6N88H4D	228.0	240	3	12	548.5	4.66	7.5 X 89.5	33	11.5 X 37
6G12N88H4D	228.0	240	3	12	548.5	9.32	15 X 89.5	16.5	19 X 20.5
6G18N61H2S	228.0	240	3	18	548.5	9.77	22.5 X 62.5	16.5	26.5 X 20.5
6G18N61H4S	228.0	480	3	6	274.2	3.05	22.5 X 19.5	16.5	26.5 X 20.5
12G6N88H4S	228.0	480	3	8	274.2	4.66	7.5 X 89.5	33	11.5 X 37
6G12N88H4S	228.0	480	3	6	274.2	9.32	15 X 89.5	16.5	19 X 20.5
8G24N40H2S	240.0	240	3	12	577.4	8.65	30 X 41.5	22	34 X 26
8G24N40H4S	240.0	480	3	12	288.7	8.65	30 X 41.5	22	34 X 26
3G54N52H4S	243.0	480	3	3	292.3	25.08	67.5 X 53.5	8.25	71.5 X 12.25
2G60N61H4S	250.0	480	3	5	300.7	32.55	75 X 62.5	5.5	79 X 9.5

Hi-Temp Duct - Type G

180 kW - 250 kW

Watt Density: 8

Gaumer Catalog Number	kW:	Volts:	Phase	Quantity Circuits	Total Amps	Face Area (Sq. Ft.)	Heater Duct Dim. Ht.x Lgth.(Inches)	Depth (Inches)	Heater Flange Ht.x Wdth.(Inches)
6G18N77M4Y	180.0	480	3	6	216.5	12.27	22.5 X 78.5	16.5	26.5 X 20.5
4G24N88M4Y	180.0	480	3	6	216.5	18.65	30 X 89.5	11	34 X 15
3G36N77M4Y	180.0	480	3	3	216.5	24.53	45 X 78.5	8.25	49 X 12.25
3G54N52M4Y	180.0	480	3	3	216.5	25.08	67.5 X 53.5	8.25	71.5 X 12.25
2G48N88M4Y	180.0	480	3	4	216.5	32.63	52.5 X 89.5	5.5	56.5 X 9.5
2G54N77M4Y	180.0	480	3	3	216.5	36.80	67.5 X 78.5	5.5	71.5 X 9.5
2G54N88M4Y	200.0	480	3	3	240.6	41.95	67.5 X 89.5	5.5	71.5 X 9.5
3G36N88M4Y	201.0	480	3	3	241.8	27.97	45 X 89.5	8.25	49 X 12.25
12G12N64M2Y	204.0	240	3	12	490.8	6.82	15 X 65.5	33	19 X 37
12G12N64M4Y	204.0	480	3	8	245.4	6.82	15 X 65.5	33	19 X 37
6G24N64M4Y	204.0	480	3	6	245.4	13.65	30 X 65.5	16.5	34 X 20.5
6G18N88M4Y	204.0	480	3	6	245.4	13.98	22.5 X 89.5	16.5	26.5 X 20.5
4G36N64M4Y	204.0	480	3	6	245.4	20.47	45 X 65.5	11	49 X 15
3G48N64M4Y	204.0	480	3	3	245.4	23.88	52.5 X 65.5	8.25	56.5 X 12.25
8G18N64M4Y	208.0	480	3	8	250.2	10.23	22.5 X 65.5	22	26.5 X 26
4G48N52M4Y	212.0	480	3	6	255.0	19.51	52.5 X 53.5	11	56.5 X 15
8G24N52M4Y	216.0	480	3	8	259.8	11.15	30 X 53.5	22	34 X 26
3G54N64M4Y	231.0	480	3	3	277.8	30.70	67.5 X 65.5	8.25	71.5 X 12.25
12G12N77M2Y	240.0	240	3	12	577.4	8.18	15 X 78.5	33	19 X 37
12G12N77M4Y	240.0	480	3	12	288.7	8.18	15 X 78.5	33	19 X 37
12G18N52M4Y	240.0	480	3	12	288.7	8.36	22.5 X 53.5	33	26.5 X 37
8G18N77M4Y	240.0	480	3	12	288.7	12.27	22.5 X 78.5	22	26.5 X 26
6G24N77M4Y	240.0	480	3	6	288.7	16.35	30 X 78.5	16.5	34 X 20.5
6G36N52M4Y	240.0	480	3	6	288.7	16.72	45 X 53.5	16.5	49 X 20.5
4G36N77M4Y	240.0	480	3	6	288.7	24.53	45 X 78.5	11	49 X 15
4G54N52M4Y	240.0	480	3	6	288.7	25.08	67.5 X 53.5	11	71.5 X 15
3G48N77M4Y	240.0	480	3	3	288.7	28.62	52.5 X 78.5	8.25	56.5 X 12.25

Hi-Temp Duct - Type G

180 kW - 250 kW

Watt Density: 6

Gaumer Catalog Number	kW:	Volts:	Phase	Quantity Circuits	Total Amps	Face Area (Sq. Ft.)	Heater Duct Dim. Ht.x Lgth.(Inches)	Depth (Inches)	Heater Flange Ht.x Wdth.(Inches)
12G12N77M2S	180.0	240	3	12	433.0	8.18	15 X 78.5	33	19 X 37
12G18N52M2S	180.0	240	3	12	433.0	8.36	22.5 X 53.5	33	26.5 X 37
12G24N40M2S	180.0	240	3	12	433.0	8.65	30 X 41.5	33	34 X 37
6G48N40M2S	180.0	240	3	12	433.0	15.13	52.5 X 41.5	16.5	56.5 X 20.5
6G24N77M2S	180.0	240	3	12	433.0	16.35	30 X 78.5	16.5	34 X 20.5
6G36N52M2S	180.0	240	3	9	433.0	16.72	45 X 53.5	16.5	49 X 20.5
6G60N33M2S	180.0	240	3	10	433.0	17.97	75 X 34.5	16.5	79 X 20.5
4G36N77M2S	180.0	240	3	12	433.0	24.53	45 X 78.5	11	49 X 15
4G60N48M2S	180.0	240	3	10	433.0	25.78	75 X 49.5	11	79 X 15
3G48N77M2S	180.0	240	3	3	433.0	28.62	52.5 X 78.5	8.25	56.5 X 12.25
12G12N77M4S	180.0	480	3	8	216.5	8.18	15 X 78.5	33	19 X 37
12G18N52M4S	180.0	480	3	8	216.5	8.36	22.5 X 53.5	33	26.5 X 37
12G24N40M4S	180.0	480	3	8	216.5	8.65	30 X 41.5	33	34 X 37
6G48N40M4S	180.0	480	3	6	216.5	15.13	52.5 X 41.5	16.5	56.5 X 20.5
6G24N77M4S	180.0	480	3	6	216.5	16.35	30 X 78.5	16.5	34 X 20.5
6G36N52M4S	180.0	480	3	6	216.5	16.72	45 X 53.5	16.5	49 X 20.5
6G60N33M4S	180.0	480	3	6	216.5	17.97	75 X 34.5	16.5	79 X 20.5
4G36N77M4S	180.0	480	3	6	216.5	24.53	45 X 78.5	11	49 X 15
4G72N40M2S	180.0	480	3	6	216.5	25.00	90 X 40	11	94 X 15
4G60N48M4S	180.0	480	3	6	216.5	25.78	75 X 49.5	11	79 X 15
4G72N40M4S	180.0	480	3	6	216.5	25.94	90 X 41.5	11	94 X 15
3G48N77M4S	180.0	480	3	3	216.5	28.62	52.5 X 78.5	8.25	56.5 X 12.25
3G72N52M2S	180.0	480	3	3	216.5	32.50	90 X 52	8.25	94 X 12.25
3G72N52M4S	180.0	480	3	3	216.5	33.44	90 X 53.5	8.25	94 X 12.25
2G72N77M2S	180.0	480	3	3	216.5	48.13	90 X 77	5.5	94 X 9.5
2G72N77M4S	180.0	480	3	3	216.5	49.06	90 X 78.5	5.5	94 X 9.5
8G18N77M2S	184.0	240	3	12	442.6	12.27	22.5 X 78.5	22	26.5 X 26
8G18N77M4S	184.0	480	3	8	221.3	12.27	22.5 X 78.5	22	26.5 X 26
8G48N33M2S	192.0	240	3	12	461.9	12.58	52.5 X 34.5	22	56.5 X 26
3G60N64M2S	192.0	240	3	3	461.9	34.11	75 X 65.5	8.25	79 X 12.25
8G48N33M4S	192.0	480	3	8	230.9	12.58	52.5 X 34.5	22	56.5 X 26
3G60N64M4S	192.0	480	3	3	230.9	34.11	75 X 65.5	8.25	79 X 12.25
8G24N64M2S	200.0	240	3	12	481.1	13.65	30 X 65.5	22	34 X 26
4G60N52M2S	200.0	240	3	10	481.1	27.86	75 X 53.5	11	79 X 15
8G24N64M4S	200.0	480	3	8	240.6	13.65	30 X 65.5	22	34 X 26
8G18N88M4S	200.0	480	3	8	240.6	13.98	22.5 X 89.5	22	26.5 X 26
4G60N52M4S	200.0	480	3	6	240.6	27.86	75 X 53.5	11	79 X 15
4G36N88M4S	200.0	480	3	6	240.6	27.97	45 X 89.5	11	49 X 15
3G48N88M4S	201.0	480	3	3	241.8	32.63	52.5 X 89.5	8.25	56.5 X 12.25
2G72N88M4S	202.0	480	3	3	243.0	55.94	90 X 89.5	5.5	94 X 9.5
4G48N64M2S	204.0	240	3	16	490.8	23.88	52.5 X 65.5	11	56.5 X 15
12G12N88M4S	204.0	480	3	8	245.4	9.32	15 X 89.5	33	19 X 37
6G24N88M4S	204.0	480	3	6	245.4	18.65	30 X 89.5	16.5	34 X 20.5
4G48N64M4S	204.0	480	3	6	245.4	23.88	52.5 X 65.5	11	56.5 X 15
12G24N48M2S	216.0	240	3	12	519.6	10.31	30 X 49.5	33	34 X 37
12G36N33M2S	216.0	240	3	12	519.6	10.78	45 X 34.5	33	49 X 37
8G36N48M2S	216.0	240	3	12	519.6	15.47	45 X 49.5	22	49 X 26

Hi-Temp Duct - Type G

180 kW - 250 kW

Watt Density: 6

Gaumer Catalog Number	kW:	Volts:	Phase	Quantity Circuits	Total Amps	Face Area (Sq. Ft.)	Heater Duct Dim. Ht.x Lgth.(Inches)	Depth (Inches)	Heater Flange Ht.x Wdth.(Inches)
6G48N48M2S	216.0	240	3	12	519.6	18.05	52.5 X 49.5	16.5	56.5 X 20.5
12G24N48M4S	216.0	480	3	8	259.8	10.31	30 X 49.5	33	34 X 37
12G36N33M4S	216.0	480	3	8	259.8	10.78	45 X 34.5	33	49 X 37
8G36N48M4S	216.0	480	3	8	259.8	15.47	45 X 49.5	22	49 X 26
6G48N48M4S	216.0	480	3	6	259.8	18.05	52.5 X 49.5	16.5	56.5 X 20.5
6G72N33M2S	216.0	480	3	6	259.8	20.63	90 X 33	16.5	94 X 20.5
6G72N33M4S	216.0	480	3	6	259.8	21.56	90 X 34.5	16.5	94 X 20.5
4G72N48M2S	216.0	480	3	6	259.8	30.00	90 X 48	11	94 X 15
4G72N48M4S	216.0	480	3	6	259.8	30.94	90 X 49.5	11	94 X 15
3G60N77M2S	225.0	240	3	3	541.3	40.89	75 X 78.5	8.25	79 X 12.25
3G60N77M4S	225.0	480	3	3	270.6	40.89	75 X 78.5	8.25	79 X 12.25
12G18N64M2S	228.0	240	3	12	548.5	10.23	22.5 X 65.5	33	26.5 X 37
6G36N64M2S	228.0	240	3	18	548.5	20.47	45 X 65.5	16.5	49 X 20.5
6G60N40M2S	228.0	240	3	20	548.5	21.61	75 X 41.5	16.5	79 X 20.5
12G18N64M4S	228.0	480	3	8	274.2	10.23	22.5 X 65.5	33	26.5 X 37
6G36N64M4S	228.0	480	3	6	274.2	20.47	45 X 65.5	16.5	49 X 20.5
6G60N40M4S	228.0	480	3	6	274.2	21.61	75 X 41.5	16.5	79 X 20.5
3G72N64M2S	231.0	480	3	3	277.8	40.00	90 X 64	8.25	94 X 12.25
3G72N64M4S	231.0	480	3	3	277.8	40.94	90 X 65.5	8.25	94 X 12.25
12G24N52M2S	240.0	240	3	12	577.4	11.15	30 X 53.5	33	34 X 37
8G48N40M2S	240.0	240	3	12	577.4	15.13	52.5 X 41.5	22	56.5 X 26
8G24N77M2S	240.0	240	3	12	577.4	16.35	30 X 78.5	22	34 X 26
8G36N52M2S	240.0	240	3	12	577.4	16.72	45 X 53.5	22	49 X 26
8G60N33M2S	240.0	240	3	12	577.4	17.97	75 X 34.5	22	79 X 26
6G48N52M2S	240.0	240	3	12	577.4	19.51	52.5 X 53.5	16.5	56.5 X 20.5
4G48N77M2S	240.0	240	3	16	577.4	28.62	52.5 X 78.5	11	56.5 X 15
12G24N52M4S	240.0	480	3	12	288.7	11.15	30 X 53.5	33	34 X 37
8G48N40M4S	240.0	480	3	12	288.7	15.13	52.5 X 41.5	22	56.5 X 26
8G24N77M4S	240.0	480	3	12	288.7	16.35	30 X 78.5	22	34 X 26
8G36N52M4S	240.0	480	3	12	288.7	16.72	45 X 53.5	22	49 X 26
8G60N33M4S	240.0	480	3	12	288.7	17.97	75 X 34.5	22	79 X 26
6G48N52M4S	240.0	480	3	6	288.7	19.51	52.5 X 53.5	16.5	56.5 X 20.5
4G48N77M4S	240.0	480	3	6	288.7	28.62	52.5 X 78.5	11	56.5 X 15
4G72N52M2S	240.0	480	3	6	288.7	32.50	90 X 52	11	94 X 15
4G72N52M4S	240.0	480	3	6	288.7	33.44	90 X 53.5	11	94 X 15

Hi-Temp Duct - Type G

180 kW - 250 kW

Watt Density: 4

Gaumer Catalog Number	kW:	Volts:	Phase	Quantity Circuits	Total Amps	Face Area (Sq. Ft.)	Heater Duct Dim. Ht.x Lgth.(Inches)	Depth (Inches)	Heater Flange Ht.x Wdth.(Inches)
6G60N52H4SY	180.0	480	3	6	216.5	27.86	75 X 53.5	16.5	79 X 20.5
3G60N88H4SY	189.0	480	3	3	227.3	46.61	75 X 89.5	8.25	79 X 12.25
8G48N52H4SY	192.0	480	3	8	230.9	19.51	52.5 X 53.5	22	56.5 X 26
6G48N61H4SY	198.0	480	3	6	238.2	22.79	52.5 X 62.5	16.5	56.5 X 20.5
6G36N78H4SY	198.0	480	3	6	238.2	24.84	45 X 79.5	16.5	49 X 20.5
8G24N88H4SY	200.0	480	3	8	240.6	18.65	30 X 89.5	22	34 X 26
4G54N78H4SY	200.0	480	3	6	240.6	37.27	67.5 X 79.5	11	71.5 X 15
4G72N61H4SY	200.0	480	3	6	240.6	39.06	90 X 62.5	11	94 X 15
3G72N78H4SY	201.0	480	3	3	241.8	49.69	90 X 79.5	8.25	94 X 12.25
12G18N78H4SY	204.0	480	3	8	245.4	12.42	22.5 X 79.5	33	26.5 X 37
12G24N61H4SY	204.0	480	3	8	245.4	13.02	30 X 62.5	33	34 X 37
8G54N52H4SY	216.0	480	3	8	259.8	25.08	67.5 X 53.5	22	71.5 X 26
4G48N88H4SY	216.0	480	3	6	259.8	32.63	52.5 X 89.5	11	56.5 X 15
6G72N52H4SY	216.0	480	3	6	259.8	33.44	90 X 53.5	16.5	94 X 20.5
4G60N78H4SY	224.0	480	3	6	269.4	41.41	75 X 79.5	11	79 X 15
4G54N88H4SY	224.0	480	3	6	269.4	41.95	67.5 X 89.5	11	71.5 X 15
3G72N88H4SY	225.0	480	3	3	270.6	55.94	90 X 89.5	8.25	94 X 12.25
12G18N88H4SY	228.0	480	3	8	274.2	13.98	22.5 X 89.5	33	26.5 X 37
6G36N88H4SY	228.0	480	3	6	274.2	27.97	45 X 89.5	16.5	49 X 20.5
6G54N61H4SY	228.0	480	3	6	274.2	29.30	67.5 X 62.5	16.5	71.5 X 20.5
8G60N52H4SY	240.0	480	3	12	288.7	27.86	75 X 53.5	22	79 X 26

GAUMER PROCESS

HEATERS
SYSTEMS
CONTROLS

APPLICATIONS

The Gaumer Electric Process Type G Duct Heater is designed for rugged duty where air must be heated to temperatures higher than what would be normal for comfort heating. Temperatures as high as 1100° F are possible if the heater is properly selected. Contact Gaumer Process for assistance in selecting Type G Duct Heaters.

HEATER SELECTION

Single Row Coil (1G-----)

For heating large quantities of re-circulated air thru a very small temperature rise (to 10 degrees) resulting in a low pressure drop and low heater face velocity (300-1000 fpm).

Two or Three Row Coil (2G-----) or (3G-----)

For heating large quantities of re-circulated air thru a temperature rise (10 to 50 degrees) resulting in a normal pressure drop and average heater face velocity (500-2000 fpm).

Three Row or Four Row Coil (3G-----) or (4G-----)

For average quantities of air thru a normal temperature rise (50-100 degrees) resulting in a low pressure drop and low heater face velocity (500-2000 fpm)

6, 8, 12 Row Coil (6G-----), (8G-----), (12G-----)

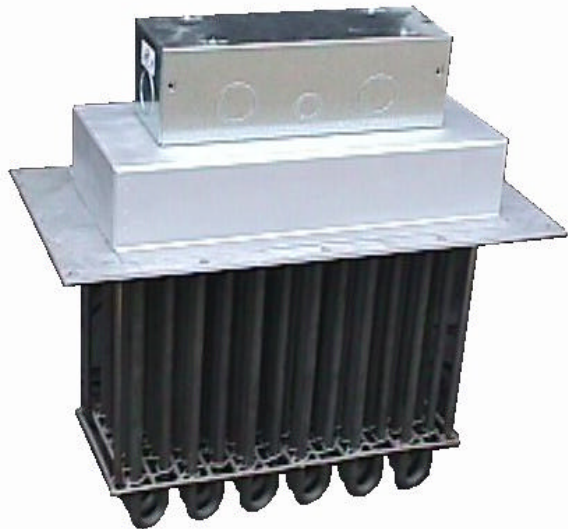
For average quantities of air thru a higher than normal temperature rise (100-600 degrees).

SPECIAL FEATURES

- INS Insulated Section on Element Side of Flange
- SPT Flange Attached Spacer Assembly
- SS Stainless Steel Flange
- W Wattage Other Than Cataloged
- V Voltage Other Than Cataloged
- ER Explosion Resistant Construction
- LT Weatherproof Construction
- J(K) Additional Sheath Sensing Thermocouple for Overheat Protection
- HTR Space Heater Mounted in Terminal Enclosure
- X Special Feature not Listed Above

Hi-Temp Duct - Type G

250 kW - 400 kW



STANDARD FEATURES

Heating Elements

- Incoloy 800 Sheath Material
- Heavy Wall (.035 in.)
- Large Diameter (.475 in.)
- Sealed Terminals

Standard Features

- High Temp Alloy Spacers
- Gaumer "Evenflow" Configuration
- Type K TC for Overheat Protection
- Insulated Terminal Section

Construction

- Welded Heating Elements
- Welded Spacers

Installation

- Flying Leadwires Provided
- Only Standard Materials Needed in Field

Service

- Wiring Modifiable in Field
- Assembly Repairable at Factory

Hi-Temp Duct - Type G

250 kW - 400 kW

Watt Density: 23

Gaumer Catalog Number	kW:	Volts:	Phase	Quantity Circuits	Total Amps	Face Area (Sq. Ft.)	Heater Duct Dim. Ht.x Lgth.(Inches)	Depth (Inches)	Heater Flange Ht.x Wdth.(Inches)
1G60N64M4	255.0	480	3	10	306.7	34.11	75 X 65.5	2.75	79 X 6.75
4G12N88M4	268.0	480	3	8	322.4	9.32	15 X 89.5	11	19 X 15
2G24N88M4	268.0	480	3	4	322.4	18.65	30 X 89.5	5.5	34 X 9.5
1G48N88M4	268.0	480	3	8	322.4	32.63	52.5 X 89.5	2.75	56.5 X 6.75
6G18N40M2	270.0	240	3	18	649.5	6.48	22.5 X 41.5	16.5	26.5 X 20.5
3G18N77M2	270.0	240	3	3	649.5	12.27	22.5 X 78.5	8.25	26.5 X 12.25
6G36N20M4	270.0	480	3	9	324.8	6.25	45 X 20	16.5	49 X 20.5
6G18N40M4	270.0	480	3	9	324.8	6.48	22.5 X 41.5	16.5	26.5 X 20.5
3G18N77M4	270.0	480	3	3	324.8	12.27	22.5 X 78.5	8.25	26.5 X 12.25
3G36N40M4	270.0	480	3	3	324.8	12.50	45 X 40	8.25	49 X 12.25
2G54N40M4	270.0	480	3	9	324.8	19.45	67.5 X 41.5	5.5	71.5 X 9.5
1G54N77M4	270.0	480	3	9	324.8	36.80	67.5 X 78.5	2.75	71.5 X 6.75
8G6N88M4	272.0	480	3	12	327.2	4.66	7.5 X 89.5	22	11.5 X 26
12G18N20M2	276.0	240	3	18	664.0	3.36	22.5 X 21.5	33	26.5 X 37
12G18N20M4	276.0	480	3	12	332.0	3.36	22.5 X 21.5	33	26.5 X 37
12G12N33M2	288.0	240	3	24	692.8	3.59	15 X 34.5	33	19 X 37
12G24N18M2	288.0	240	3	24	692.8	4.06	30 X 19.5	33	34 X 37
8G12N48M2	288.0	240	3	16	692.8	5.16	15 X 49.5	22	19 X 26
8G18N33M2	288.0	240	3	24	692.8	5.39	22.5 X 34.5	22	26.5 X 26
8G24N25M2	288.0	240	3	16	692.8	5.52	30 X 26.5	22	34 X 26
6G24N33M2	288.0	240	3	24	692.8	7.19	30 X 34.5	16.5	34 X 20.5
4G24N48M2	288.0	240	3	16	692.8	10.31	30 X 49.5	11	34 X 15
12G12N33M4	288.0	480	3	12	346.4	3.59	15 X 34.5	33	19 X 37
12G24N18M4	288.0	480	3	12	346.4	4.06	30 X 19.5	33	34 X 37
8G12N48M4	288.0	480	3	12	346.4	5.16	15 X 49.5	22	19 X 26
8G18N33M4	288.0	480	3	12	346.4	5.39	22.5 X 34.5	22	26.5 X 26
8G24N25M4	288.0	480	3	12	346.4	5.52	30 X 26.5	22	34 X 26
8G36N18M4	288.0	480	3	12	346.4	5.63	45 X 18	22	49 X 26
6G48N18M4	288.0	480	3	12	346.4	7.11	52.5 X 19.5	16.5	56.5 X 20.5
6G24N33M4	288.0	480	3	12	346.4	7.19	30 X 34.5	16.5	34 X 20.5
4G48N25M4	288.0	480	3	8	346.4	9.66	52.5 X 26.5	11	56.5 X 15
4G36N33M4	288.0	480	3	12	346.4	10.31	45 X 33	11	49 X 15
4G24N48M4	288.0	480	3	16	346.4	10.31	30 X 49.5	11	34 X 15
3G48N33M4	288.0	480	3	3	346.4	12.58	52.5 X 34.5	8.25	56.5 X 12.25
2G48N48M4	288.0	480	3	4	346.4	18.05	52.5 X 49.5	5.5	56.5 X 9.5
12G6N64M2	300.0	240	3	12	721.7	3.41	7.5 X 65.5	33	11.5 X 37
6G12N64M2	300.0	240	3	12	721.7	6.82	15 X 65.5	16.5	19 X 20.5
12G6N64M4	300.0	480	3	12	360.9	3.41	7.5 X 65.5	33	11.5 X 37
6G12N64M4	300.0	480	3	12	360.8	6.82	15 X 65.5	16.5	19 X 20.5
2G60N40M4	300.0	480	3	5	360.9	21.61	75 X 41.5	5.5	79 X 9.5
1G60N77M4	300.0	480	3	10	360.9	40.89	75 X 78.5	2.75	79 X 6.75
1G54N88M4	302.0	480	3	9	363.3	41.95	67.5 X 89.5	2.75	71.5 X 6.75
3G18N88M4	303.0	480	3	3	364.5	13.98	22.5 X 89.5	8.25	26.5 X 12.25
3G24N64M2	306.0	240	3	3	736.1	13.65	30 X 65.5	8.25	34 X 12.25
3G24N64M4	306.0	480	3	3	368.1	13.65	30 X 65.5	8.25	34 X 12.25
2G36N64M4	306.0	480	3	6	368.1	20.00	45 X 64	5.5	49 X 9.5
1G72N64M4	306.0	480	3	12	368.1	40.94	90 X 65.5	2.75	94 X 6.75

Hi-Temp Duct - Type G

250 kW - 400 kW

Watt Density: 23

Gaumer Catalog Number	kW:	Volts:	Phase	Quantity Circuits	Total Amps	Face Area (Sq. Ft.)	Heater Duct Dim. Ht.x Lgth.(Inches)	Depth (Inches)	Heater Flange Ht.x Wdth.(Inches)
4G18N64M2	308.0	240	3	12	741.0	10.23	22.5 X 65.5	11	26.5 X 15
4G18N64M4	308.0	480	3	12	370.5	10.23	22.5 X 65.5	11	26.5 X 15
8G12N52M2	320.0	240	3	16	769.8	5.57	15 X 53.5	22	19 X 26
4G24N52M2	320.0	240	3	16	769.8	11.15	30 X 53.5	11	34 X 15
8G12N52M4	320.0	480	3	12	384.9	5.57	15 X 53.5	22	19 X 26
4G24N52M4	320.0	480	3	16	384.9	11.15	30 X 53.5	11	34 X 15
2G48N52M4	320.0	480	3	4	384.9	19.51	52.5 X 53.5	5.5	56.5 X 9.5
12G18N25M2	324.0	240	3	18	779.4	4.14	22.5 X 26.5	33	26.5 X 37
6G18N48M2	324.0	240	3	18	779.4	7.73	22.5 X 49.5	16.5	26.5 X 20.5
12G18N25M4	324.0	480	3	12	389.7	4.14	22.5 X 26.5	33	26.5 X 37
6G18N48M4	324.0	480	3	9	389.7	7.73	22.5 X 49.5	16.5	26.5 X 20.5
6G36N25M4	324.0	480	3	9	389.7	7.81	45 X 25	16.5	49 X 20.5
3G36N48M4	324.0	480	3	3	389.7	15.00	45 X 48	8.25	49 X 12.25
1G60N88M4	336.0	480	3	10	404.2	46.61	75 X 89.5	2.75	79 X 6.75
12G6N77M2	360.0	240	3	12	866.0	4.09	7.5 X 78.5	33	11.5 X 37
12G12N40M2	360.0	240	3	24	866.0	4.32	15 X 41.5	33	19 X 37
12G24N20M2	360.0	240	3	24	866.0	4.48	30 X 21.5	33	34 X 37
8G18N40M2	360.0	240	3	24	866.1	6.48	22.5 X 41.5	22	26.5 X 26
6G12N77M2	360.0	240	3	12	866.0	8.18	15 X 78.5	16.5	19 X 20.5
6G18N52M2	360.0	240	3	18	866.0	8.36	22.5 X 53.5	16.5	26.5 X 20.5
6G24N40M2	360.0	240	3	24	866.0	8.65	30 X 41.5	16.5	34 X 20.5
4G18N77M2	360.0	240	3	12	866.1	12.27	22.5 X 78.5	11	26.5 X 15
3G24N77M2	360.0	240	3	3	866.0	16.35	30 X 78.5	8.25	34 X 12.25
12G6N77M4	360.0	480	3	12	433.0	4.09	7.5 X 78.5	33	11.5 X 37
12G12N40M4	360.0	480	3	12	433.0	4.32	15 X 41.5	33	19 X 37
12G24N20M4	360.0	480	3	12	433.0	4.48	30 X 21.5	33	34 X 37
8G36N20M4	360.0	480	3	12	433.0	6.25	45 X 20	22	49 X 26
8G18N40M4	360.0	480	3	12	433.0	6.48	22.5 X 41.5	22	26.5 X 26
6G48N20M4	360.0	480	3	12	433.0	7.84	52.5 X 21.5	16.5	56.5 X 20.5
6G12N77M4	360.0	480	3	12	433.0	8.18	15 X 78.5	16.5	19 X 20.5
6G18N52M4	360.0	480	3	18	433.0	8.36	22.5 X 53.5	16.5	26.5 X 20.5
6G24N40M4	360.0	480	3	12	433.0	8.65	30 X 41.5	16.5	34 X 20.5
4G18N77M4	360.0	480	3	12	433.0	12.27	22.5 X 78.5	11	26.5 X 15
4G36N40M4	360.0	480	3	12	433.0	12.50	45 X 40	11	49 X 15
3G48N40M4	360.0	480	3	3	433.0	15.13	52.5 X 41.5	8.25	56.5 X 12.25
3G36N52M4	360.0	480	3	3	433.0	16.25	45 X 52	8.25	49 X 12.25
3G24N77M4	360.0	480	3	3	433.0	16.35	30 X 78.5	8.25	34 X 12.25
2G36N77M4	360.0	480	3	6	433.0	24.06	45 X 77	5.5	49 X 9.5
2G54N52M4	360.0	480	3	9	433.0	25.08	67.5 X 53.5	5.5	71.5 X 9.5
2G72N40M4	360.0	480	3	6	433.0	25.94	90 X 41.5	5.5	94 X 9.5
1G72N77M4	360.0	480	3	12	433.0	49.06	90 X 78.5	2.75	94 X 6.75
8G24N33M2	384.0	240	3	32	923.8	7.19	30 X 34.5	22	34 X 26
8G48N18M4	384.0	480	3	12	461.9	7.11	52.5 X 19.5	22	56.5 X 26
8G24N33M4	384.0	480	3	12	461.9	7.19	30 X 34.5	22	34 X 26
4G48N33M4	384.0	480	3	16	461.9	12.58	52.5 X 34.5	11	56.5 X 15
8G12N64M2	400.0	240	3	16	962.3	6.82	15 X 65.5	22	19 X 26
8G12N64M4	400.0	480	3	12	481.1	6.82	15 X 65.5	22	19 X 26

Hi-Temp Duct - Type G

250 kW - 400 kW

Watt Density: 23

Gaumer Catalog Number	kW:	Volts:	Phase	Quantity Circuits	Total Amps	Face Area (Sq. Ft.)	Heater Duct Dim. Ht.x Lgth.(Inches)	Depth (Inches)	Heater Flange Ht.x Wdth.(Inches)
2G60N52M4	400.0	480	3	5	481.1	27.86	75 X 53.5	5.5	79 X 9.5

Hi-Temp Duct - Type G

250 kW - 400 kW

Watt Density: 20

Gaumer Catalog Number	kW:	Volts:	Phase	Quantity Circuits	Total Amps	Face Area (Sq. Ft.)	Heater Duct Dim. Ht.x Lgth.(Inches)	Depth (Inches)	Heater Flange Ht.x Wdth.(Inches)
12G24N18B2Y	252.0	240	3	24	606.2	4.06	30 X 19.5	33	34 X 37
12G24N18B4Y	252.0	480	3	12	303.1	4.06	30 X 19.5	33	34 X 37
8G24N25B2Y	256.0	240	3	16	615.9	5.52	30 X 26.5	22	34 X 26
8G24N25B4Y	256.0	480	3	12	307.9	5.52	30 X 26.5	22	34 X 26
8G12N52B2Y	264.0	240	3	16	635.1	5.57	15 X 53.5	22	19 X 26
8G12N52B4Y	264.0	480	3	12	317.6	5.57	15 X 53.5	22	19 X 26
2G48N52B4Y	266.0	480	3	4	320.0	18.96	52.5 X 52	5.5	56.5 X 9.5
2G60N43B4Y	266.0	480	3	5	320.0	22.40	75 X 43	5.5	79 X 9.5
1G54N88B4Y	266.0	480	3	9	320.0	41.95	67.5 X 89.5	2.75	71.5 X 6.75
3G18N78B2Y	267.0	240	3	3	642.3	12.19	22.5 X 78	8.25	26.5 X 12.25
3G18N88B4Y	267.0	480	3	3	321.2	13.98	22.5 X 89.5	8.25	26.5 X 12.25
4G24N52B2Y	268.0	240	3	16	644.7	11.15	30 X 53.5	11	34 X 15
4G24N52B4Y	268.0	480	3	8	322.4	11.15	30 X 53.5	11	34 X 15
4G30N43B4Y	268.0	480	3	10	322.4	11.59	37.5 X 44.5	11	41.5 X 15
3G54N33B4Y	270.0	480	3	3	324.8	16.17	67.5 X 34.5	8.25	71.5 X 12.25
12G24N20B2Y	276.0	240	3	24	664.0	4.48	30 X 21.5	33	34 X 37
12G24N20B4Y	276.0	480	3	12	332.0	4.48	30 X 21.5	33	34 X 37
12G18N25B2Y	288.0	240	3	18	692.8	4.14	22.5 X 26.5	33	26.5 X 37
12G18N25B4Y	288.0	480	3	12	346.4	4.14	22.5 X 26.5	33	26.5 X 37
2G60N88B4Y	296.0	480	3	5	356.0	22.92	37.5 X 88	5.5	41.5 X 9.5
1G60N88B4Y	296.0	480	3	10	356.0	45.83	75 X 88	2.75	79 X 6.75
6G18N52B2Y	300.0	240	3	18	721.7	8.36	22.5 X 53.5	16.5	26.5 X 20.5
6G18N52B4Y	300.0	480	3	9	360.8	8.36	22.5 X 53.5	16.5	26.5 X 20.5
6G30N33B4Y	300.0	480	3	15	360.8	8.98	37.5 X 34.5	16.5	41.5 X 20.5
3G36N52B4Y	300.0	480	3	3	360.8	16.25	45 X 52	8.25	49 X 12.25
3G30N61B4Y	300.0	480	3	3	360.8	16.28	37.5 X 62.5	8.25	41.5 X 12.25
3G60N33B4Y	300.0	480	3	3	360.8	17.97	75 X 34.5	8.25	79 X 12.25
2G54N52B4Y	300.0	480	3	9	360.9	25.08	67.5 X 53.5	5.5	71.5 X 9.5
6G24N43B2Y	318.0	240	3	24	765.0	9.27	30 X 44.5	16.5	34 X 20.5
6G24N43B4Y	318.0	480	3	12	382.5	9.27	30 X 44.5	16.5	34 X 20.5
8G12N61B2Y	320.0	240	3	16	769.8	6.51	15 X 62.5	22	19 X 26
8G18N43B2Y	320.0	240	3	24	769.8	6.95	22.5 X 44.5	22	26.5 X 26
8G24N33B2Y	320.0	240	3	16	769.8	7.19	30 X 34.5	22	34 X 26
4G24N61B2Y	320.0	240	3	16	769.8	13.02	30 X 62.5	11	34 X 15
8G12N61B4Y	320.0	480	3	12	384.9	6.51	15 X 62.5	22	19 X 26
8G18N43B4Y	320.0	480	3	12	384.9	6.95	22.5 X 44.5	22	26.5 X 26
8G24N33B4Y	320.0	480	3	12	384.9	7.19	30 X 34.5	22	34 X 26
4G48N33B4Y	320.0	480	3	8	384.9	12.58	52.5 X 34.5	11	56.5 X 15
4G24N61B4Y	320.0	480	3	16	384.9	13.02	30 X 62.5	11	34 X 15
4G36N43B4Y	320.0	480	3	12	384.9	13.91	45 X 44.5	11	49 X 15
2G48N61B4Y	320.0	480	3	4	384.9	22.24	52.5 X 61	5.5	56.5 X 9.5
2G72N43B4Y	320.0	480	3	6	384.9	27.81	90 X 44.5	5.5	94 X 9.5
3G48N43B4Y	321.0	480	3	3	386.1	16.22	52.5 X 44.5	8.25	56.5 X 12.25
12G12N43B2Y	324.0	240	3	24	779.4	4.64	15 X 44.5	33	19 X 37
12G12N43B4Y	324.0	480	3	12	389.7	4.64	15 X 44.5	33	19 X 37
4G30N52B4Y	332.0	480	3	10	399.3	13.93	37.5 X 53.5	11	41.5 X 15
2G60N52B4Y	334.0	480	3	9	401.8	27.08	75 X 52	5.5	79 X 9.5

Hi-Temp Duct - Type G

250 kW - 400 kW

Watt Density: 20

Gaumer Catalog Number	kW:	Volts:	Phase	Quantity Circuits	Total Amps	Face Area (Sq. Ft.)	Heater Duct Dim. Ht.x Lgth.(Inches)	Depth (Inches)	Heater Flange Ht.x Wdth.(Inches)
6G12N78B2Y	354.0	240	3	12	851.6	8.13	15 X 78	16.5	19 X 20.5
3G24N78B2Y	354.0	240	3	3	851.6	16.25	30 X 78	8.25	34 X 12.25
6G12N88B4Y	354.0	480	3	12	425.8	9.32	15 X 89.5	16.5	19 X 20.5
3G24N88B4Y	354.0	480	3	3	425.8	18.65	30 X 89.5	8.25	34 X 12.25
1G72N88B4Y	355.0	480	3	12	427.0	55.94	90 X 89.5	2.75	94 X 6.75
4G18N78B2Y	356.0	240	3	12	856.4	12.19	22.5 X 78	11	26.5 X 15
4G18N88B4Y	356.0	480	3	12	428.2	13.98	22.5 X 89.5	11	26.5 X 15
2G36N88B4Y	356.0	480	3	6	428.2	27.50	45 X 88	5.5	49 X 9.5
12G6N78B2Y	360.0	240	3	12	866.0	4.06	7.5 X 78	33	11.5 X 37
12G18N33B2Y	360.0	240	3	18	866.0	5.39	22.5 X 34.5	33	26.5 X 37
6G18N61B2Y	360.0	240	3	18	866.0	9.77	22.5 X 62.5	16.5	26.5 X 20.5
12G6N88B4Y	360.0	480	3	12	433.0	4.66	7.5 X 89.5	33	11.5 X 37
12G18N33B4Y	360.0	480	3	12	433.0	5.39	22.5 X 34.5	33	26.5 X 37
6G18N61B4Y	360.0	480	3	18	433.0	9.77	22.5 X 62.5	16.5	26.5 X 20.5
6G36N33B4Y	360.0	480	3	9	433.0	10.78	45 X 34.5	16.5	49 X 20.5
4G54N33B4Y	360.0	480	3	9	433.0	16.17	67.5 X 34.5	11	71.5 X 15
3G36N61B4Y	360.0	480	3	3	433.0	19.06	45 X 61	8.25	49 X 12.25
3G54N43B4Y	360.0	480	3	3	433.0	20.86	67.5 X 44.5	8.25	71.5 X 12.25
3G72N33B4Y	360.0	480	3	3	433.0	21.56	90 X 34.5	8.25	94 X 12.25
2G54N61B4Y	360.0	480	3	9	433.0	29.30	67.5 X 62.5	5.5	71.5 X 9.5
12G24N25B2Y	384.0	240	3	24	923.8	5.52	30 X 26.5	33	34 X 37
12G24N25B4Y	384.0	480	3	12	461.9	5.52	30 X 26.5	33	34 X 37
12G12N52B2Y	396.0	240	3	24	952.6	5.57	15 X 53.5	33	19 X 37
12G12N52B4Y	396.0	480	3	12	476.3	5.57	15 X 53.5	33	19 X 37
3G48N52B4Y	399.0	480	3	3	479.9	18.96	52.5 X 52	8.25	56.5 X 12.25
3G60N43B4Y	399.0	480	3	3	479.9	23.18	75 X 44.5	8.25	79 X 12.25
8G18N52B2Y	400.0	240	3	24	962.3	8.36	22.5 X 53.5	22	26.5 X 26
8G18N52B4Y	400.0	480	3	12	481.1	8.36	22.5 X 53.5	22	26.5 X 26
8G30N33B4Y	400.0	480	3	12	481.1	8.98	37.5 X 34.5	22	41.5 X 26
4G36N52B4Y	400.0	480	3	12	481.1	16.25	45 X 52	11	49 X 15
4G30N61B4Y	400.0	480	3	10	481.1	16.28	37.5 X 62.5	11	41.5 X 15
4G60N33B4Y	400.0	480	3	10	481.1	17.97	75 X 34.5	11	79 X 15
2G60N61B4Y	400.0	480	3	5	481.1	31.77	75 X 61	5.5	79 X 9.5
2G72N52B4Y	400.0	480	3	6	481.1	33.44	90 X 53.5	5.5	94 X 9.5

Hi-Temp Duct - Type G

250 kW - 400 kW

Watt Density: 15

Gaumer Catalog Number	kW:	Volts:	Phase	Quantity Circuits	Total Amps	Face Area (Sq. Ft.)	Heater Duct Dim. Ht.x Lgth.(Inches)	Depth (Inches)	Heater Flange Ht.x Wdth.(Inches)
2G60N52B4S	250.0	480	3	5	300.7	27.86	75 X 53.5	5.5	79 X 9.5
1G60N88H4Y	250.0	480	3	5	300.7	46.61	75 X 89.5	2.75	79 X 6.75
4G30N52B4S	252.0	480	3	10	303.1	13.93	37.5 X 53.5	11	41.5 X 15
8G24N33H2Y	256.0	240	3	16	615.9	7.19	30 X 34.5	22	34 X 26
8G24N33H4Y	256.0	480	3	12	307.9	7.19	30 X 34.5	22	34 X 26
4G48N33H4Y	256.0	480	3	8	307.9	12.58	52.5 X 34.5	11	56.5 X 15
12G6N78B2S	264.0	240	3	12	635.1	4.06	7.5 X 78	33	11.5 X 37
12G6N78H2Y	264.0	240	3	12	635.1	4.14	7.5 X 79.5	33	11.5 X 37
8G12N61H2Y	264.0	240	3	16	635.1	6.51	15 X 62.5	22	19 X 26
6G12N78B2S	264.0	240	3	12	635.1	8.13	15 X 78	16.5	19 X 20.5
6G12N78H2Y	264.0	240	3	12	635.1	8.28	15 X 79.5	16.5	19 X 20.5
6G12N88B4D	264.0	240	3	12	635.1	9.32	15 X 89.5	16.5	19 X 20.5
12G6N78H4Y	264.0	480	3	12	317.6	4.14	7.5 X 79.5	33	11.5 X 37
12G6N88B4S	264.0	480	3	12	317.6	4.66	7.5 X 89.5	33	11.5 X 37
8G12N61H4Y	264.0	480	3	12	317.6	6.51	15 X 62.5	22	19 X 26
6G12N78H4Y	264.0	480	3	12	317.5	8.28	15 X 79.5	16.5	19 X 20.5
2G48N61H4Y	266.0	480	3	4	320.0	22.79	52.5 X 62.5	5.5	56.5 X 9.5
2G36N78H4Y	266.0	480	3	6	320.0	24.84	45 X 79.5	5.5	49 X 9.5
2G36N88B4S	266.0	480	3	6	320.0	27.50	45 X 88	5.5	49 X 9.5
1G72N78H4Y	266.0	480	3	6	320.0	49.69	90 X 79.5	2.75	94 X 6.75
1G72N88B4S	266.0	480	3	6	320.0	55.94	90 X 89.5	2.75	94 X 6.75
3G24N78B2S	267.0	240	3	3	642.3	16.25	30 X 78	8.25	34 X 12.25
3G24N78H2Y	267.0	240	3	3	642.3	16.56	30 X 79.5	8.25	34 X 12.25
3G24N78H4Y	267.0	480	3	3	321.2	16.56	30 X 79.5	8.25	34 X 12.25
3G24N88B4S	267.0	480	3	3	321.2	18.65	30 X 89.5	8.25	34 X 12.25
4G18N78B2S	268.0	240	3	12	644.7	12.19	22.5 X 78	11	26.5 X 15
4G24N61H2Y	268.0	240	3	16	644.7	13.02	30 X 62.5	11	34 X 15
4G18N78H4Y	268.0	480	3	12	322.4	12.42	22.5 X 79.5	11	26.5 X 15
4G24N61H4Y	268.0	480	3	8	322.4	13.02	30 X 62.5	11	34 X 15
4G18N88B4S	268.0	480	3	12	322.4	13.98	22.5 X 89.5	11	26.5 X 15
6G18N61B2S	270.0	240	3	18	649.5	9.77	22.5 X 62.5	16.5	26.5 X 20.5
6G18N61B4S	270.0	480	3	9	324.8	9.77	22.5 X 62.5	16.5	26.5 X 20.5
6G36N33B4S	270.0	480	3	9	324.8	10.31	45 X 33	16.5	49 X 20.5
3G36N61B4S	270.0	480	3	3	324.8	19.06	45 X 61	8.25	49 X 12.25
3G54N40H4Y	270.0	480	3	3	324.8	19.45	67.5 X 41.5	8.25	71.5 X 12.25
3G54N43B4S	270.0	480	3	3	324.8	20.86	67.5 X 44.5	8.25	71.5 X 12.25
3G72N33B4S	270.0	480	3	3	324.8	21.56	90 X 34.5	8.25	94 X 12.25
2G54N61B4S	270.0	480	3	9	324.8	29.30	67.5 X 62.5	5.5	71.5 X 9.5
4G54N33B4S	272.0	480	3	9	327.2	16.17	67.5 X 34.5	11	71.5 X 15
12G18N33B2S	276.0	240	3	18	664.0	5.39	22.5 X 34.5	33	26.5 X 37
12G18N33B4S	276.0	480	3	12	332.0	5.39	22.5 X 34.5	33	26.5 X 37
12G12N48H2Y	288.0	240	3	24	692.8	5.16	15 X 49.5	33	19 X 37
12G18N33H2Y	288.0	240	3	18	692.8	5.39	22.5 X 34.5	33	26.5 X 37
12G24N25B2S	288.0	240	3	24	692.8	5.52	30 X 26.5	33	34 X 37
12G24N25H2Y	288.0	240	3	24	692.8	5.52	30 X 26.5	33	34 X 37
8G18N48H2Y	288.0	240	3	24	692.8	7.73	22.5 X 49.5	22	26.5 X 26
6G24N48H2Y	288.0	240	3	24	692.8	10.31	30 X 49.5	16.5	34 X 20.5

Hi-Temp Duct - Type G

250 kW - 400 kW

Watt Density: 15

Gaumer Catalog Number	kW:	Volts:	Phase	Quantity Circuits	Total Amps	Face Area (Sq. Ft.)	Heater Duct Dim. Ht.x Lgth.(Inches)	Depth (Inches)	Heater Flange Ht.x Wdth.(Inches)
12G12N48H4Y	288.0	480	3	12	346.4	5.16	15 X 49.5	33	19 X 37
12G18N33H4Y	288.0	480	3	12	346.4	5.39	22.5 X 34.5	33	26.5 X 37
12G24N25B4S	288.0	480	3	12	346.4	5.52	30 X 26.5	33	34 X 37
12G24N25H4Y	288.0	480	3	12	346.4	5.52	30 X 26.5	33	34 X 37
8G18N48H4Y	288.0	480	3	12	346.4	7.73	22.5 X 49.5	22	26.5 X 26
6G24N48H4Y	288.0	480	3	12	346.4	10.31	30 X 49.5	16.5	34 X 20.5
6G36N33H4Y	288.0	480	3	9	346.4	10.78	45 X 34.5	16.5	49 X 20.5
4G54N33H4Y	288.0	480	3	9	346.4	16.17	67.5 X 34.5	11	71.5 X 15
4G36N52H4Y	288.0	480	3	12	346.4	16.72	45 X 53.5	11	49 X 15
3G48N52H4Y	288.0	480	3	3	346.4	19.51	52.5 X 53.5	8.25	56.5 X 12.25
3G72N33H4Y	288.0	480	3	3	346.4	21.56	90 X 34.5	8.25	94 X 12.25
2G72N52H4Y	288.0	480	3	6	346.4	33.44	90 X 53.5	5.5	94 X 9.5
12G12N52B2S	300.0	240	3	24	721.7	5.57	15 X 53.5	33	19 X 37
6G24N52B2S	300.0	240	3	24	721.7	11.15	30 X 53.5	16.5	34 X 20.5
12G6N88H4Y	300.0	480	3	12	360.9	4.66	7.5 X 89.5	33	11.5 X 37
12G12N52B4S	300.0	480	3	12	360.9	5.57	15 X 53.5	33	19 X 37
6G12N88H4Y	300.0	480	3	12	360.8	9.32	15 X 89.5	16.5	19 X 20.5
6G18N61H4Y	300.0	480	3	9	360.8	9.77	22.5 X 62.5	16.5	26.5 X 20.5
6G24N52B4S	300.0	480	3	12	360.8	11.15	30 X 53.5	16.5	34 X 20.5
6G30N43B4S	300.0	480	3	15	360.8	11.59	37.5 X 44.5	16.5	41.5 X 20.5
4G18N88H4Y	300.0	480	3	12	360.9	13.98	22.5 X 89.5	11	26.5 X 15
4G36N52B4S	300.0	480	3	12	360.9	16.25	45 X 52	11	49 X 15
4G30N61B4S	300.0	480	3	10	360.9	16.28	37.5 X 62.5	11	41.5 X 15
4G60N33B4S	300.0	480	3	10	360.9	17.97	75 X 34.5	11	79 X 15
3G24N88H4Y	300.0	480	3	3	360.8	18.65	30 X 89.5	8.25	34 X 12.25
3G48N52B4S	300.0	480	3	3	360.8	18.96	52.5 X 52	8.25	56.5 X 12.25
3G36N61H4Y	300.0	480	3	3	360.8	19.53	45 X 62.5	8.25	49 X 12.25
3G60N40H4Y	300.0	480	3	3	360.8	21.61	75 X 41.5	8.25	79 X 12.25
3G60N43B4S	300.0	480	3	3	360.8	23.18	75 X 44.5	8.25	79 X 12.25
2G36N88H4Y	300.0	480	3	6	360.9	27.97	45 X 89.5	5.5	49 X 9.5
2G54N61H4Y	300.0	480	3	9	360.9	29.30	67.5 X 62.5	5.5	71.5 X 9.5
2G72N52B4S	300.0	480	3	6	360.9	33.44	90 X 53.5	5.5	94 X 9.5
1G72N88H4Y	300.0	480	3	6	360.9	55.94	90 X 89.5	2.75	94 X 6.75
8G18N52B2S	304.0	240	3	24	731.3	8.36	22.5 X 53.5	22	26.5 X 26
8G18N52B4S	304.0	480	3	12	365.7	8.36	22.5 X 53.5	22	26.5 X 26
8G30N33B4S	304.0	480	3	12	365.7	8.98	37.5 X 34.5	22	41.5 X 26
8G24N40H2Y	320.0	240	3	16	769.8	8.65	30 X 41.5	22	34 X 26
8G24N43B2S	320.0	240	3	16	769.8	9.27	30 X 44.5	22	34 X 26
8G24N40H4Y	320.0	480	3	12	384.9	8.65	30 X 41.5	22	34 X 26
8G24N43B4S	320.0	480	3	12	384.9	9.27	30 X 44.5	22	34 X 26
4G48N40H4Y	320.0	480	3	8	384.9	15.13	52.5 X 41.5	11	56.5 X 15
4G48N43B4S	320.0	480	3	8	384.9	16.22	52.5 X 44.5	11	56.5 X 15
4G60N33H4Y	320.0	480	3	10	384.9	17.97	75 X 34.5	11	79 X 15
3G54N52H4Y	324.0	480	3	3	389.7	25.08	67.5 X 53.5	8.25	71.5 X 12.25
3G30N88B4S	333.0	480	3	3	400.5	23.31	37.5 X 89.5	8.25	41.5 X 12.25
2G60N61H4Y	334.0	480	3	5	401.8	32.55	75 X 62.5	5.5	79 X 9.5
3G54N52B4S	339.0	480	3	3	407.8	25.08	67.5 X 53.5	8.25	71.5 X 12.25

Hi-Temp Duct - Type G

250 kW - 400 kW

Watt Density: 15

Gaumer Catalog Number	kW:	Volts:	Phase	Quantity Circuits	Total Amps	Face Area (Sq. Ft.)	Heater Duct Dim. Ht.x Lgth.(Inches)	Depth (Inches)	Heater Flange Ht.x Wdth.(Inches)
8G12N78B2S	352.0	240	3	16	846.8	8.13	15 X 78	22	19 X 26
8G12N78H2Y	352.0	240	3	16	846.8	8.28	15 X 79.5	22	19 X 26
8G12N88B4D	352.0	240	3	16	846.8	9.32	15 X 89.5	22	19 X 26
8G12N78H4Y	352.0	480	3	12	423.4	8.28	15 X 79.5	22	19 X 26
4G24N78B2S	356.0	240	3	16	856.4	16.25	30 X 78	11	34 X 15
4G24N78H2Y	356.0	240	3	16	856.4	16.56	30 X 79.5	11	34 X 15
4G24N78H4Y	356.0	480	3	16	428.2	16.56	30 X 79.5	11	34 X 15
4G24N88B4S	356.0	480	3	16	428.2	18.65	30 X 89.5	11	34 X 15
2G48N78H4Y	356.0	480	3	4	428.2	28.98	52.5 X 79.5	5.5	56.5 X 9.5
2G48N88B4S	356.0	480	3	4	428.2	32.08	52.5 X 88	5.5	56.5 X 9.5
12G18N40H2Y	360.0	240	3	36	866.0	6.48	22.5 X 41.5	33	26.5 X 37
12G12N61B2S	360.0	240	3	24	866.0	6.51	15 X 62.5	33	19 X 37
12G18N43B2S	360.0	240	3	36	866.0	6.95	22.5 X 44.5	33	26.5 X 37
12G24N33B2S	360.0	240	3	24	866.0	7.19	30 X 34.5	33	34 X 37
8G18N61B2S	360.0	240	3	24	866.1	9.77	22.5 X 62.5	22	26.5 X 26
6G24N61B2S	360.0	240	3	24	866.0	13.02	30 X 62.5	16.5	34 X 20.5
12G18N40H4Y	360.0	480	3	12	433.0	6.48	22.5 X 41.5	33	26.5 X 37
12G12N61B4S	360.0	480	3	12	433.0	6.51	15 X 62.5	33	19 X 37
12G18N43B4S	360.0	480	3	12	433.0	6.95	22.5 X 44.5	33	26.5 X 37
12G24N33B4S	360.0	480	3	12	433.0	7.19	30 X 34.5	33	34 X 37
8G18N61B4S	360.0	480	3	12	433.0	9.77	22.5 X 62.5	22	26.5 X 26
8G36N33B4S	360.0	480	3	12	433.0	10.31	45 X 33	22	49 X 26
6G48N33B4S	360.0	480	3	12	433.0	12.58	52.5 X 34.5	16.5	56.5 X 20.5
6G36N40H4Y	360.0	480	3	9	433.0	12.97	45 X 41.5	16.5	49 X 20.5
6G24N61B4S	360.0	480	3	12	433.0	13.02	30 X 62.5	16.5	34 X 20.5
6G36N43B4S	360.0	480	3	9	433.0	13.44	45 X 43	16.5	49 X 20.5
4G36N61B4S	360.0	480	3	12	433.0	19.06	45 X 61	11	49 X 15
4G54N40H4Y	360.0	480	3	9	433.0	19.45	67.5 X 41.5	11	71.5 X 15
4G54N43B4S	360.0	480	3	9	433.0	20.86	67.5 X 44.5	11	71.5 X 15
4G72N33B4S	360.0	480	3	12	433.0	21.56	90 X 34.5	11	94 X 15
3G48N61B4S	360.0	480	3	3	433.0	22.24	52.5 X 61	8.25	56.5 X 12.25
3G72N40H4Y	360.0	480	3	3	433.0	25.94	90 X 41.5	8.25	94 X 12.25
3G72N43B4S	360.0	480	3	3	433.0	27.81	90 X 44.5	8.25	94 X 12.25
3G60N52H4Y	360.0	480	3	3	433.0	27.86	75 X 53.5	8.25	79 X 12.25
2G72N61B4S	360.0	480	3	6	433.0	39.06	90 X 62.5	5.5	94 X 9.5
3G60N52B4S	375.0	480	3	3	451.1	27.86	75 X 53.5	8.25	79 X 12.25
6G30N52B4S	378.0	480	3	15	454.7	13.93	37.5 X 53.5	16.5	41.5 X 20.5
12G24N33H2Y	384.0	240	3	24	923.8	7.19	30 X 34.5	33	34 X 37
8G24N48H2Y	384.0	240	3	32	923.8	10.31	30 X 49.5	22	34 X 26
12G24N33H4Y	384.0	480	3	12	461.9	7.19	30 X 34.5	33	34 X 37
8G24N48H4Y	384.0	480	3	12	461.9	10.31	30 X 49.5	22	34 X 26
8G36N33H4Y	384.0	480	3	12	461.9	10.78	45 X 34.5	22	49 X 26
6G48N33H4Y	384.0	480	3	12	461.9	12.58	52.5 X 34.5	16.5	56.5 X 20.5
4G48N52H4Y	384.0	480	3	16	461.9	19.51	52.5 X 53.5	11	56.5 X 15
4G72N33H4Y	384.0	480	3	12	461.9	21.56	90 X 34.5	11	94 X 15
12G12N61H2Y	396.0	240	3	24	952.6	6.51	15 X 62.5	33	19 X 37
12G12N61H4Y	396.0	480	3	12	476.3	6.51	15 X 62.5	33	19 X 37

Hi-Temp Duct - Type G

250 kW - 400 kW

Watt Density: 15

Gaumer Catalog Number	kW:	Volts:	Phase	Quantity Circuits	Total Amps	Face Area (Sq. Ft.)	Heater Duct Dim. Ht.x Lgth.(Inches)	Depth (Inches)	Heater Flange Ht.x Wdth.(Inches)
3G48N61H4Y	399.0	480	3	3	479.9	22.79	52.5 X 62.5	8.25	56.5 X 12.25
3G36N78H4Y	399.0	480	3	3	479.9	24.84	45 X 79.5	8.25	49 X 12.25
3G36N88B4S	399.0	480	3	3	479.9	27.50	45 X 88	8.25	49 X 12.25
8G24N52B2S	400.0	240	3	32	962.3	11.15	30 X 53.5	22	34 X 26
8G12N88H4Y	400.0	480	3	12	481.1	9.32	15 X 89.5	22	19 X 26
8G18N61H4Y	400.0	480	3	12	481.1	9.77	22.5 X 62.5	22	26.5 X 26
8G24N52B4S	400.0	480	3	12	481.1	11.15	30 X 53.5	22	34 X 26
8G30N43B4S	400.0	480	3	12	481.1	11.59	37.5 X 44.5	22	41.5 X 26
4G24N88H4Y	400.0	480	3	16	481.1	18.65	30 X 89.5	11	34 X 15
4G48N52B4S	400.0	480	3	16	481.1	18.96	52.5 X 52	11	56.5 X 15
4G36N61H4Y	400.0	480	3	12	481.1	19.53	45 X 62.5	11	49 X 15
4G60N40H4Y	400.0	480	3	10	481.1	21.61	75 X 41.5	11	79 X 15
4G60N43B4S	400.0	480	3	10	481.1	23.18	75 X 44.5	11	79 X 15
2G48N88H4Y	400.0	480	3	8	481.1	32.63	52.5 X 89.5	5.5	56.5 X 9.5
2G54N78H4Y	400.0	480	3	9	481.1	37.27	67.5 X 79.5	5.5	71.5 X 9.5
2G72N61H4Y	400.0	480	3	6	481.1	39.06	90 X 62.5	5.5	94 X 9.5
2G54N88B4S	400.0	480	3	9	481.1	41.95	67.5 X 89.5	5.5	71.5 X 9.5

Hi-Temp Duct - Type G

250 kW - 400 kW

Watt Density: 12

Gaumer Catalog Number	kW:	Volts:	Phase	Quantity Circuits	Total Amps	Face Area (Sq. Ft.)	Heater Duct Dim. Ht.x Lgth.(Inches)	Depth (Inches)	Heater Flange Ht.x Wdth.(Inches)
2G60N61H4S	250.0	480	3	5	300.7	32.55	75 X 62.5	5.5	79 X 9.5
8G12N78H2S	264.0	240	3	16	635.1	8.28	15 X 79.5	22	19 X 26
8G12N78H4S	264.0	480	3	12	317.6	8.28	15 X 79.5	22	19 X 26
2G48N78H4S	266.0	480	3	4	320.0	28.98	52.5 X 79.5	5.5	56.5 X 9.5
4G24N78H2S	268.0	240	3	8	644.7	16.56	30 X 79.5	11	34 X 15
4G24N78H4S	268.0	480	3	8	322.4	16.56	30 X 79.5	11	34 X 15
3G60N52H4S	270.0	480	3	3	324.8	27.86	75 X 53.5	8.25	79 X 12.25
12G18N40H2S	276.0	240	3	18	664.0	6.48	22.5 X 41.5	33	26.5 X 37
12G18N40H4S	276.0	480	3	12	332.0	6.48	22.5 X 41.5	33	26.5 X 37
12G24N33H2S	288.0	240	3	24	692.8	7.19	30 X 34.5	33	34 X 37
8G24N48H2S	288.0	240	3	16	692.8	10.31	30 X 49.5	22	34 X 26
12G24N33H4S	288.0	480	3	12	346.4	7.19	30 X 34.5	33	34 X 37
8G24N48H4S	288.0	480	3	12	346.4	10.31	30 X 49.5	22	34 X 26
4G48N52H4S	288.0	480	3	8	346.4	19.51	52.5 X 53.5	11	56.5 X 15
12G12N61H2S	300.0	240	3	24	721.7	6.51	15 X 62.5	33	19 X 37
6G18N78H2S	300.0	240	3	18	721.7	12.42	22.5 X 79.5	16.5	26.5 X 20.5
6G24N61H2S	300.0	240	3	24	721.7	13.02	30 X 62.5	16.5	34 X 20.5
4G24N88H4D	300.0	240	3	16	721.7	18.65	30 X 89.5	11	34 X 15
12G12N61H4S	300.0	480	3	12	360.9	6.51	15 X 62.5	33	19 X 37
6G18N78H4S	300.0	480	3	9	360.8	12.42	22.5 X 79.5	16.5	26.5 X 20.5
6G24N61H4S	300.0	480	3	12	360.8	13.02	30 X 62.5	16.5	34 X 20.5
4G24N88H4S	300.0	480	3	16	360.9	18.65	30 X 89.5	11	34 X 15
4G36N61H4S	300.0	480	3	12	360.9	19.53	45 X 62.5	11	49 X 15
3G48N61H4S	300.0	480	3	3	360.8	22.79	52.5 X 62.5	8.25	56.5 X 12.25
3G36N78H4S	300.0	480	3	3	360.8	24.84	45 X 79.5	8.25	49 X 12.25
2G48N88H4S	300.0	480	3	4	360.9	32.63	52.5 X 89.5	5.5	56.5 X 9.5
2G54N78H4S	300.0	480	3	9	360.9	37.27	67.5 X 79.5	5.5	71.5 X 9.5
2G72N61H4S	300.0	480	3	6	360.9	39.06	90 X 62.5	5.5	94 X 9.5
8G12N88H4D	304.0	240	3	16	731.3	9.32	15 X 89.5	22	19 X 26
8G18N61H2S	304.0	240	3	24	731.3	9.77	22.5 X 62.5	22	26.5 X 26
8G18N61H4S	304.0	480	3	12	365.7	3.05	22.5 X 19.5	22	26.5 X 26
8G12N88H4S	304.0	480	3	12	365.7	9.32	15 X 89.5	22	19 X 26
12G18N48H2S	324.0	240	3	18	779.4	7.73	22.5 X 49.5	33	26.5 X 37
12G18N48H4S	324.0	480	3	12	389.7	7.73	22.5 X 49.5	33	26.5 X 37
6G36N52H4S	324.0	480	3	9	389.7	16.72	45 X 53.5	16.5	49 X 20.5
4G54N52H4S	324.0	480	3	9	389.7	25.08	67.5 X 53.5	11	71.5 X 15
3G72N52H4S	324.0	480	3	3	389.7	33.44	90 X 53.5	8.25	94 X 12.25
2G60N78H4S	334.0	480	3	5	401.8	41.41	75 X 79.5	5.5	79 X 9.5
6G18N88H4D	336.0	240	3	18	808.3	13.98	22.5 X 89.5	16.5	26.5 X 20.5
6G18N88H4S	336.0	480	3	9	404.1	13.98	22.5 X 89.5	16.5	26.5 X 20.5
3G36N88H4S	336.0	480	3	3	404.1	27.97	45 X 89.5	8.25	49 X 12.25
2G54N88H4S	338.0	480	3	9	406.6	41.95	67.5 X 89.5	5.5	71.5 X 9.5
3G54N61H4S	339.0	480	3	3	407.8	29.30	67.5 X 62.5	8.25	71.5 X 12.25
12G24N40H2S	360.0	240	3	24	866.0	8.65	30 X 41.5	33	34 X 37
12G24N40H4S	360.0	480	3	12	433.0	8.65	30 X 41.5	33	34 X 37
4G60N52H4S	360.0	480	3	10	433.0	27.86	75 X 53.5	11	79 X 15
3G60N61H4S	375.0	480	3	3	451.1	32.55	75 X 62.5	8.25	79 X 12.25

Hi-Temp Duct - Type G

250 kW - 400 kW

Watt Density: 12

Gaumer Catalog Number	kW:	Volts:	Phase	Quantity Circuits	Total Amps	Face Area (Sq. Ft.)	Heater Duct Dim. Ht.x Lgth.(Inches)	Depth (Inches)	Heater Flange Ht.x Wdth.(Inches)
2G60N88H4S	376.0	480	3	5	452.3	46.61	75 X 89.5	5.5	79 X 9.5
12G12N78H2S	396.0	240	3	24	952.6	8.28	15 X 79.5	33	19 X 37
12G12N78H4S	396.0	480	3	12	476.3	8.28	15 X 79.5	33	19 X 37
3G48N78H4S	399.0	480	3	3	479.9	28.98	52.5 X 79.5	8.25	56.5 X 12.25
8G18N78H2S	400.0	240	3	24	962.3	12.42	22.5 X 79.5	22	26.5 X 26
8G24N61H2S	400.0	240	3	32	962.3	13.02	30 X 62.5	22	34 X 26
8G18N78H4S	400.0	480	3	12	481.1	12.42	22.5 X 79.5	22	26.5 X 26
8G24N61H4S	400.0	480	3	12	481.1	13.02	30 X 62.5	22	34 X 26
4G48N61H4S	400.0	480	3	16	481.1	22.79	52.5 X 62.5	11	56.5 X 15
4G36N78H4S	400.0	480	3	12	481.1	24.84	45 X 79.5	11	49 X 15
2G72N78H4S	400.0	480	3	6	481.1	49.69	90 X 79.5	5.5	94 X 9.5

Hi-Temp Duct - Type G

250 kW - 400 kW

Watt Density: 8

Gaumer Catalog Number	kW:	Volts:	Phase	Quantity Circuits	Total Amps	Face Area (Sq. Ft.)	Heater Duct Dim. Ht.x Lgth.(Inches)	Depth (Inches)	Heater Flange Ht.x Wdth.(Inches)
12G12N88M4Y	264.0	480	3	12	317.6	9.32	15 X 89.5	33	19 X 37
4G36N88M4Y	268.0	480	3	12	322.4	27.97	45 X 89.5	11	49 X 15
6G24N88M4Y	270.0	480	3	12	324.8	18.65	30 X 89.5	16.5	34 X 20.5
3G48N88M4Y	270.0	480	3	3	324.8	32.63	52.5 X 89.5	8.25	56.5 X 12.25
3G54N77M4Y	270.0	480	3	3	324.8	36.80	67.5 X 78.5	8.25	71.5 X 12.25
8G24N64M4Y	272.0	480	3	12	327.2	13.65	30 X 65.5	22	34 X 26
8G18N88M4Y	272.0	480	3	12	327.2	13.98	22.5 X 89.5	22	26.5 X 26
4G48N64M4Y	272.0	480	3	8	327.2	23.88	52.5 X 65.5	11	56.5 X 15
3G54N88M4Y	300.0	480	3	3	360.8	41.95	67.5 X 89.5	8.25	71.5 X 12.25
6G36N64M4Y	306.0	480	3	9	368.1	20.47	45 X 65.5	16.5	49 X 20.5
4G54N64M4Y	308.0	480	3	9	370.5	30.70	67.5 X 65.5	11	71.5 X 15
12G18N64M4Y	312.0	480	3	12	375.3	10.23	22.5 X 65.5	33	26.5 X 37
6G48N52M4Y	318.0	480	3	12	382.5	19.51	52.5 X 53.5	16.5	56.5 X 20.5
8G24N77M4Y	320.0	480	3	12	384.9	16.35	30 X 78.5	22	34 X 26
8G36N52M4Y	320.0	480	3	12	384.9	16.72	45 X 53.5	22	49 X 26
4G48N77M4Y	320.0	480	3	8	384.9	28.62	52.5 X 78.5	11	56.5 X 15
12G24N52M4Y	324.0	480	3	12	389.7	11.15	30 X 53.5	33	34 X 37
12G18N77M4Y	360.0	480	3	12	433.0	12.27	22.5 X 78.5	33	26.5 X 37
8G24N88M4Y	360.0	480	3	12	433.0	18.65	30 X 89.5	22	34 X 26
6G36N77M4Y	360.0	480	3	9	433.0	24.53	45 X 78.5	16.5	49 X 20.5
6G54N52M4Y	360.0	480	3	9	433.0	25.08	67.5 X 53.5	16.5	71.5 X 20.5
4G48N88M4Y	360.0	480	3	16	433.0	32.63	52.5 X 89.5	11	56.5 X 15
4G54N77M4Y	360.0	480	3	9	433.0	36.80	67.5 X 78.5	11	71.5 X 15
4G54N88M4Y	400.0	480	3	18	481.1	41.95	67.5 X 89.5	11	71.5 X 15

Hi-Temp Duct - Type G

250 kW - 400 kW

Watt Density: 6

Gaumer Catalog Number	kW:	Volts:	Phase	Quantity Circuits	Total Amps	Face Area (Sq. Ft.)	Heater Duct Dim. Ht.x Lgth.(Inches)	Depth (Inches)	Heater Flange Ht.x Wdth.(Inches)
3G60N88M4S	252.0	480	3	3	303.1	46.61	75 X 89.5	8.25	79 X 12.25
4G60N64M2S	256.0	240	3	20	615.9	34.11	75 X 65.5	11	79 X 15
4G60N64M4S	256.0	480	3	10	307.9	34.11	75 X 65.5	11	79 X 15
12G36N40M2S	264.0	240	3	18	635.1	12.97	45 X 41.5	33	49 X 37
12G36N40M4S	264.0	480	3	12	317.6	12.97	45 X 41.5	33	49 X 37
4G48N88M4S	268.0	480	3	8	322.4	32.63	52.5 X 89.5	11	56.5 X 15
6G36N77M2S	270.0	240	3	18	649.5	24.53	45 X 78.5	16.5	49 X 20.5
6G60N48M2S	270.0	240	3	20	649.5	25.78	75 X 49.5	16.5	79 X 20.5
6G36N77M4S	270.0	480	3	9	324.8	24.53	45 X 78.5	16.5	49 X 20.5
6G72N40M2S	270.0	480	3	9	324.8	25.00	90 X 40	16.5	94 X 20.5
6G60N48M4S	270.0	480	3	10	324.8	25.78	75 X 49.5	16.5	79 X 20.5
6G72N40M4S	270.0	480	3	9	324.8	25.94	90 X 41.5	16.5	94 X 20.5
3G72N77M2S	270.0	480	3	3	324.8	48.13	90 X 77	8.25	94 X 12.25
3G72N77M4S	270.0	480	3	3	324.8	49.06	90 X 78.5	8.25	94 X 12.25
8G24N88M4S	272.0	480	3	12	327.2	18.65	30 X 89.5	22	34 X 26
12G18N77M2S	276.0	240	3	18	664.0	12.27	22.5 X 78.5	33	26.5 X 37
12G18N77M4S	276.0	480	3	12	332.0	12.27	22.5 X 78.5	33	26.5 X 37
12G48N33M2S	288.0	240	3	24	692.8	12.58	52.5 X 34.5	33	56.5 X 37
8G48N48M2S	288.0	240	3	16	692.8	18.05	52.5 X 49.5	22	56.5 X 26
12G48N33M4S	288.0	480	3	12	346.4	12.58	52.5 X 34.5	33	56.5 X 37
8G48N48M4S	288.0	480	3	12	346.4	18.05	52.5 X 49.5	22	56.5 X 26
8G72N33M2S	288.0	480	3	12	346.4	20.63	90 X 33	22	94 X 26
8G72N33M4S	288.0	480	3	12	346.4	21.56	90 X 34.5	22	94 X 26
12G24N64M2S	300.0	240	3	24	721.7	13.65	30 X 65.5	33	34 X 37
6G60N52M2S	300.0	240	3	20	721.7	27.86	75 X 53.5	16.5	79 X 20.5
4G60N77M2S	300.0	240	3	20	721.7	40.89	75 X 78.5	11	79 X 15
12G24N64M4S	300.0	480	3	12	360.9	13.65	30 X 65.5	33	34 X 37
12G18N88M4S	300.0	480	3	12	360.9	13.98	22.5 X 89.5	33	26.5 X 37
6G60N52M4S	300.0	480	3	10	360.8	27.86	75 X 53.5	16.5	79 X 20.5
6G36N88M4S	300.0	480	3	9	360.8	27.97	45 X 89.5	16.5	49 X 20.5
4G60N77M4S	300.0	480	3	10	360.9	40.89	75 X 78.5	11	79 X 15
3G72N88M4S	303.0	480	3	3	364.5	55.94	90 X 89.5	8.25	94 X 12.25
8G36N64M2S	304.0	240	3	24	731.3	20.47	45 X 65.5	22	49 X 26
8G60N40M2S	304.0	240	3	20	731.3	21.61	75 X 41.5	22	79 X 26
8G36N64M4S	304.0	480	3	12	365.7	20.47	45 X 65.5	22	49 X 26
8G60N40M4S	304.0	480	3	12	365.7	21.61	75 X 41.5	22	79 X 26
6G48N64M2S	306.0	240	3	24	736.1	23.88	52.5 X 65.5	16.5	56.5 X 20.5
6G48N64M4S	306.0	480	3	12	368.1	23.88	52.5 X 65.5	16.5	56.5 X 20.5
4G72N64M2S	308.0	480	3	12	370.5	40.00	90 X 64	11	94 X 15
4G72N64M4S	308.0	480	3	12	370.5	40.94	90 X 65.5	11	94 X 15
8G48N52M2S	320.0	240	3	16	769.8	19.51	52.5 X 53.5	22	56.5 X 26
8G48N52M4S	320.0	480	3	12	384.9	19.51	52.5 X 53.5	22	56.5 X 26
12G36N48M2S	324.0	240	3	18	779.4	15.47	45 X 49.5	33	49 X 37
12G36N48M4S	324.0	480	3	12	389.7	15.47	45 X 49.5	33	49 X 37
6G72N48M2S	324.0	480	3	9	389.7	30.00	90 X 48	16.5	94 X 20.5
6G72N48M4S	324.0	480	3	9	389.7	30.94	90 X 49.5	16.5	94 X 20.5
4G60N88M4S	336.0	480	3	10	404.2	46.61	75 X 89.5	11	79 X 15

Hi-Temp Duct - Type G

250 kW - 400 kW

Watt Density: 6

Gaumer Catalog Number	kW:	Volts:	Phase	Quantity Circuits	Total Amps	Face Area (Sq. Ft.)	Heater Duct Dim. Ht.x Lgth.(Inches)	Depth (Inches)	Heater Flange Ht.x Wdth.(Inches)
12G48N40M2S	360.0	240	3	24	866.0	15.13	52.5 X 41.5	33	56.5 X 37
12G24N77M2S	360.0	240	3	24	866.0	16.35	30 X 78.5	33	34 X 37
12G36N52M2S	360.0	240	3	18	866.0	16.72	45 X 53.5	33	49 X 37
12G60N33M2S	360.0	240	3	20	866.0	17.97	75 X 34.5	33	79 X 37
8G36N77M2S	360.0	240	3	24	866.1	24.53	45 X 78.5	22	49 X 26
8G60N48M2S	360.0	240	3	20	866.1	25.78	75 X 49.5	22	79 X 26
6G48N77M2S	360.0	240	3	24	866.0	28.62	52.5 X 78.5	16.5	56.5 X 20.5
12G48N40M4S	360.0	480	3	12	433.0	15.13	52.5 X 41.5	33	56.5 X 37
12G24N77M4S	360.0	480	3	12	433.0	16.35	30 X 78.5	33	34 X 37
12G36N52M4S	360.0	480	3	12	433.0	16.72	45 X 53.5	33	49 X 37
12G60N33M4S	360.0	480	3	12	433.0	17.97	75 X 34.5	33	79 X 37
8G36N77M4S	360.0	480	3	12	433.0	24.53	45 X 78.5	22	49 X 26
8G72N40M2S	360.0	480	3	12	433.0	25.00	90 X 40	22	94 X 26
8G60N48M4S	360.0	480	3	12	433.0	25.78	75 X 49.5	22	79 X 26
8G72N40M4S	360.0	480	3	12	433.0	25.94	90 X 41.5	22	94 X 26
6G48N77M4S	360.0	480	3	12	433.0	28.62	52.5 X 78.5	16.5	56.5 X 20.5
6G72N52M2S	360.0	480	3	9	433.0	32.50	90 X 52	16.5	94 X 20.5
6G72N52M4S	360.0	480	3	9	433.0	33.44	90 X 53.5	16.5	94 X 20.5
4G72N77M2S	360.0	480	3	12	433.0	48.13	90 X 77	11	94 X 15
4G72N77M4S	360.0	480	3	12	433.0	49.06	90 X 78.5	11	94 X 15
6G60N64M2S	384.0	240	3	20	923.8	34.11	75 X 65.5	16.5	79 X 20.5
6G60N64M4S	384.0	480	3	10	461.9	34.11	75 X 65.5	16.5	79 X 20.5
8G60N52M2S	400.0	240	3	20	962.3	27.86	75 X 53.5	22	79 X 26
8G60N52M4S	400.0	480	3	12	481.1	27.86	75 X 53.5	22	79 X 26
8G36N88M4S	400.0	480	3	12	481.1	27.97	45 X 89.5	22	49 X 26

Hi-Temp Duct - Type G

250 kW - 400 kW

Watt Density: 4

Gaumer Catalog Number	kW:	Volts:	Phase	Quantity Circuits	Total Amps	Face Area (Sq. Ft.)	Heater Duct Dim. Ht.x Lgth.(Inches)	Depth (Inches)	Heater Flange Ht.x Wdth.(Inches)
6G60N61H4SY	252.0	480	3	10	303.1	32.55	75 X 62.5	16.5	79 X 20.5
4G60N88H4SY	252.0	480	3	10	303.1	46.61	75 X 89.5	11	79 X 15
12G24N78H4SY	264.0	480	3	12	317.6	16.56	30 X 79.5	33	34 X 37
8G48N61H4SY	264.0	480	3	12	317.6	22.79	52.5 X 62.5	22	56.5 X 26
8G36N78H4SY	264.0	480	3	12	317.6	24.84	45 X 79.5	22	49 X 26
6G48N78H4SY	264.0	480	3	12	317.5	28.98	52.5 X 79.5	16.5	56.5 X 20.5
4G72N78H4SY	268.0	480	3	12	322.4	49.69	90 X 79.5	11	94 X 15
12G48N52H4SY	288.0	480	3	12	346.4	19.51	52.5 X 53.5	33	56.5 X 37
8G72N52H4SY	288.0	480	3	12	346.4	33.44	90 X 53.5	22	94 X 26
12G24N88H4SY	300.0	480	3	12	360.9	18.65	30 X 89.5	33	34 X 37
6G54N78H4SY	300.0	480	3	9	360.8	37.27	67.5 X 79.5	16.5	71.5 X 20.5
6G72N61H4SY	300.0	480	3	9	360.8	39.06	90 X 62.5	16.5	94 X 20.5
4G72N88H4SY	300.0	480	3	12	360.9	55.94	90 X 89.5	11	94 X 15
8G36N88H4SY	304.0	480	3	12	365.7	27.97	45 X 89.5	22	49 X 26
8G54N61H4SY	304.0	480	3	12	365.7	29.30	67.5 X 62.5	22	71.5 X 26
12G54N52H4SY	324.0	480	3	12	389.7	25.08	67.5 X 53.5	33	71.5 X 37
6G48N88H4SY	324.0	480	3	12	389.7	32.63	52.5 X 89.5	16.5	56.5 X 20.5
8G60N61H4SY	336.0	480	3	12	404.2	32.55	75 X 62.5	22	79 X 26
6G60N78H4SY	336.0	480	3	10	404.1	41.41	75 X 79.5	16.5	79 X 20.5
6G54N88H4SY	336.0	480	3	9	404.1	41.95	67.5 X 89.5	16.5	71.5 X 20.5
8G48N78H4SY	352.0	480	3	12	423.4	28.98	52.5 X 79.5	22	56.5 X 26
12G60N52H4SY	360.0	480	3	12	433.0	27.86	75 X 53.5	33	79 X 37
6G60N88H4SY	378.0	480	3	10	454.7	46.61	75 X 89.5	16.5	79 X 20.5
12G48N61H4SY	396.0	480	3	12	476.3	22.79	52.5 X 62.5	33	56.5 X 37
12G36N78H4SY	396.0	480	3	12	476.3	24.84	45 X 79.5	33	49 X 37
8G54N78H4SY	400.0	480	3	12	481.1	37.27	67.5 X 79.5	22	71.5 X 26
8G72N61H4SY	400.0	480	3	12	481.1	39.06	90 X 62.5	22	94 X 26

GAUMER PROCESS

HEATERS
SYSTEMS
CONTROLS

APPLICATIONS

The Gaumer Electric Process Type G Duct Heater is designed for rugged duty where air must be heated to temperatures higher than what would be normal for comfort heating. Temperatures as high as 1100° F are possible if the heater is properly selected. Contact Gaumer Process for assistance in selecting Type G Duct Heaters.

HEATER SELECTION

Single Row Coil (1G-----)

For heating large quantities of re-circulated air thru a very small temperature rise (to 10 degrees) resulting in a low pressure drop and low heater face velocity (300-1000 fpm).

Two or Three Row Coil (2G-----) or (3G-----)

For heating large quantities of re-circulated air thru a normal temperature rise (10 to 50 degrees) resulting in a normal pressure drop and average heater face velocity (500-2000

Three Row or Four Row Coil (3G-----) or (4G-----)

For average quantities of air thru a normal temperature rise (50-100 degrees) resulting in a low pressure drop and low heater face velocity (500-2000 fpm).

6, 8, 12 Row Coil (6G-----), (8G-----), (12G-----)

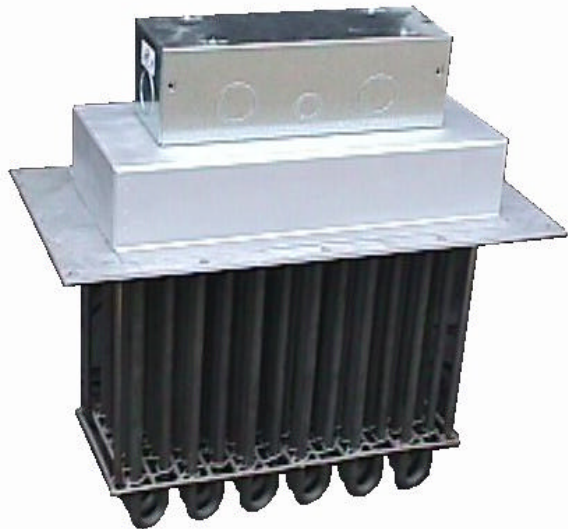
For average quantities of air thru a higher than normal temperature rise (100-600 degrees).

SPECIAL FEATURES

- INS Insulated Section on Element Side of Flange
- SPT Flange Attached Spacer Assembly
- SS Stainless Steel Flange
- W Wattage Other Than Cataloged
- V Voltage Other Than Cataloged
- ER Explosion Resistant Construction
- LT Weatherproof Construction
- J(K) Additional Sheath Sensing Thermocouple for Overheat Protection
- HTR Space Heater Mounted in Terminal Enclosure
- X Special Feature not Listed Above

Hi-Temp Duct - Type G

400 kW - 800 kW



STANDARD FEATURES

Heating Elements

- Incoloy 800 Sheath Material
- Heavy Wall (.035 in.)
- Large Diameter (.475 in.)
- Sealed Terminals

Standard Features

- High Temp Alloy Spacers
- Gaumer "Evenflow" Configuration
- Type K TC for Overheat Protection
- Insulated Terminal Section

Construction

- Welded Heating Elements
- Welded Spacers

Installation

- Flying Leadwires Provided
- Only Standard Materials Needed in Field

Service

- Wiring Modifiable in Field
- Assembly Repairable at Factory

Hi-Temp Duct - Type G

400 kW - 800 kW

Watt Density: 23

Gaumer Catalog Number	kW:	Volts:	Phase	Quantity Circuits	Total Amps	Face Area (Sq. Ft.)	Heater Duct Dim. Ht.x Lgth.(Inches)	Depth (Inches)	Heater Flange Ht.x Wdth.(Inches)
8G12N64M2	400.0	240	3	16	962.3	6.82	15 X 65.5	22	19 X 26
8G12N64M4	400.0	480	3	12	481.1	6.82	15 X 65.5	22	19 X 26
2G60N52M4	400.0	480	3	5	481.1	27.86	75 X 53.5	5.5	79 X 9.5
6G12N88M4	402.0	480	3	12	483.5	9.32	15 X 89.5	16.5	19 X 20.5
3G24N88M4	402.0	480	3	3	483.5	18.65	30 X 89.5	8.25	34 X 12.25
1G72N88M4	403.0	480	3	12	484.7	55.94	90 X 89.5	2.75	94 X 6.75
4G18N88M4	404.0	480	3	12	486.0	13.98	22.5 X 89.5	11	26.5 X 15
2G36N88M4	404.0	480	3	6	486.0	27.50	45 X 88	5.5	49 X 9.5
3G54N40M4	405.0	480	3	3	487.1	19.45	67.5 X 41.5	8.25	71.5 X 12.25
4G24N64M2	408.0	240	3	16	981.5	13.65	30 X 65.5	11	34 X 15
12G6N88M4	408.0	480	3	12	490.8	4.66	7.5 X 89.5	33	11.5 X 37
4G24N64M4	408.0	480	3	16	490.8	13.65	30 X 65.5	11	34 X 15
2G48N64M4	408.0	480	3	4	490.8	23.88	52.5 X 65.5	5.5	56.5 X 9.5
12G12N48M2	432.0	240	3	24	1039.2	5.16	15 X 49.5	33	19 X 37
12G18N33M2	432.0	240	3	36	1039.2	5.39	22.5 X 34.5	33	26.5 X 37
12G24N25M2	432.0	240	3	24	1039.2	5.52	30 X 26.5	33	34 X 37
8G18N48M2	432.0	240	3	24	1039.3	7.73	22.5 X 49.5	22	26.5 X 26
6G24N48M2	432.0	240	3	24	1039.2	10.31	30 X 49.5	16.5	34 X 20.5
12G12N48M4	432.0	480	3	12	519.6	5.16	15 X 49.5	33	19 X 37
12G18N33M4	432.0	480	3	12	519.6	5.39	22.5 X 34.5	33	26.5 X 37
12G24N25M4	432.0	480	3	12	519.6	5.52	30 X 26.5	33	34 X 37
12G36N18M4	432.0	480	3	12	519.6	6.09	45 X 19.5	33	49 X 37
8G18N48M4	432.0	480	3	12	519.6	7.73	22.5 X 49.5	22	26.5 X 26
8G36N25M4	432.0	480	3	12	519.6	7.81	45 X 25	22	49 X 26
6G48N25M4	432.0	480	3	12	519.6	9.66	52.5 X 26.5	16.5	56.5 X 20.5
6G36N33M4	432.0	480	3	18	519.6	10.31	45 X 33	16.5	49 X 20.5
6G24N48M4	432.0	480	3	12	519.6	10.31	30 X 49.5	16.5	34 X 20.5
4G36N48M4	432.0	480	3	12	519.6	15.00	45 X 48	11	49 X 15
3G48N48M4	432.0	480	3	3	519.6	18.05	52.5 X 49.5	8.25	56.5 X 12.25
3G60N40M4	450.0	480	3	3	541.3	21.61	75 X 41.5	8.25	79 X 12.25
3G36N64M4	459.0	480	3	3	552.1	20.00	45 X 64	8.25	49 X 12.25
2G54N64M4	460.0	480	3	9	553.3	30.70	67.5 X 65.5	5.5	71.5 X 9.5
6G18N64M2	462.0	240	3	18	1111.4	10.23	22.5 X 65.5	16.5	26.5 X 20.5
6G18N64M4	462.0	480	3	18	555.7	10.23	22.5 X 65.5	16.5	26.5 X 20.5
12G12N52M2	480.0	240	3	24	1154.7	5.57	15 X 53.5	33	19 X 37
8G12N77M2	480.0	240	3	16	1154.7	8.18	15 X 78.5	22	19 X 26
8G18N52M2	480.0	240	3	24	1154.7	8.36	22.5 X 53.5	22	26.5 X 26
8G24N40M2	480.0	240	3	32	1154.7	8.65	30 X 41.5	22	34 X 26
6G24N52M2	480.0	240	3	24	1154.7	11.15	30 X 53.5	16.5	34 X 20.5
4G24N77M2	480.0	240	3	16	1154.7	16.35	30 X 78.5	11	34 X 15
12G12N52M4	480.0	480	3	12	577.4	5.57	15 X 53.5	33	19 X 37
8G48N20M4	480.0	480	3	12	577.4	7.84	52.5 X 21.5	22	56.5 X 26
8G12N77M4	480.0	480	3	12	577.4	8.18	15 X 78.5	22	19 X 26
8G18N52M4	480.0	480	3	12	577.4	8.36	22.5 X 53.5	22	26.5 X 26
8G24N40M4	480.0	480	3	12	577.4	8.65	30 X 41.5	22	34 X 26
6G24N52M4	480.0	480	3	12	577.4	11.15	30 X 53.5	16.5	34 X 20.5
4G48N40M4	480.0	480	3	16	577.4	15.13	52.5 X 41.5	11	56.5 X 15

Hi-Temp Duct - Type G

400 kW - 800 kW

Watt Density: 23

Gaumer Catalog Number	kW:	Volts:	Phase	Quantity Circuits	Total Amps	Face Area (Sq. Ft.)	Heater Duct Dim. Ht.x Lgth.(Inches)	Depth (Inches)	Heater Flange Ht.x Wdth.(Inches)
4G36N52M4	480.0	480	3	12	577.4	16.25	45 X 52	11	49 X 15
4G24N77M4	480.0	480	3	16	577.4	16.35	30 X 78.5	11	34 X 15
3G48N52M4	480.0	480	3	3	577.4	19.51	52.5 X 53.5	8.25	56.5 X 12.25
2G48N77M4	480.0	480	3	8	577.4	28.62	52.5 X 78.5	5.5	56.5 X 9.5
2G72N52M4	480.0	480	3	6	577.4	33.44	90 X 53.5	5.5	94 X 9.5
2G60N64M4	510.0	480	3	10	613.5	34.11	75 X 65.5	5.5	79 X 9.5
8G12N88M4	536.0	480	3	16	644.7	9.32	15 X 89.5	22	19 X 26
4G24N88M4	536.0	480	3	16	644.7	18.65	30 X 89.5	11	34 X 15
2G48N88M4	536.0	480	3	8	644.7	32.63	52.5 X 89.5	5.5	56.5 X 9.5
12G18N40M2	540.0	240	3	36	1299.0	6.48	22.5 X 41.5	33	26.5 X 37
6G18N77M2	540.0	240	3	18	1299.0	12.27	22.5 X 78.5	16.5	26.5 X 20.5
12G18N40M4	540.0	480	3	18	649.5	6.48	22.5 X 41.5	33	26.5 X 37
12G36N20M4	540.0	480	3	18	649.5	6.72	45 X 21.5	33	49 X 37
6G18N77M4	540.0	480	3	18	649.5	12.27	22.5 X 78.5	16.5	26.5 X 20.5
6G36N40M4	540.0	480	3	18	649.5	12.50	45 X 40	16.5	49 X 20.5
4G54N40M4	540.0	480	3	18	649.5	19.45	67.5 X 41.5	11	71.5 X 15
3G36N77M4	540.0	480	3	3	649.5	24.06	45 X 77	8.25	49 X 12.25
3G54N52M4	540.0	480	3	3	649.5	25.08	67.5 X 53.5	8.25	71.5 X 12.25
3G72N40M4	540.0	480	3	3	649.5	25.94	90 X 41.5	8.25	94 X 12.25
2G54N77M4	540.0	480	3	9	649.5	36.80	67.5 X 78.5	5.5	71.5 X 9.5
12G24N33M2	576.0	240	3	48	1385.6	7.19	30 X 34.5	33	34 X 37
8G24N48M2	576.0	240	3	32	1385.7	10.31	30 X 49.5	22	34 X 26
12G48N18M4	576.0	480	3	24	692.8	7.11	52.5 X 19.5	33	56.5 X 37
12G24N33M4	576.0	480	3	24	692.8	7.19	30 X 34.5	33	34 X 37
8G48N25M4	576.0	480	3	16	692.8	9.66	52.5 X 26.5	22	56.5 X 26
8G24N48M4	576.0	480	3	32	692.8	10.31	30 X 49.5	22	34 X 26
8G36N33M4	576.0	480	3	24	692.8	10.31	45 X 33	22	49 X 26
6G48N33M4	576.0	480	3	24	692.8	12.58	52.5 X 34.5	16.5	56.5 X 20.5
4G48N48M4	576.0	480	3	16	692.8	18.05	52.5 X 49.5	11	56.5 X 15
12G12N64M2	600.0	240	3	24	1443.4	6.82	15 X 65.5	33	19 X 37
12G12N64M4	600.0	480	3	24	721.7	6.82	15 X 65.5	33	19 X 37
4G60N40M4	600.0	480	3	20	721.7	21.61	75 X 41.5	11	79 X 15
3G60N52M4	600.0	480	3	3	721.7	27.86	75 X 53.5	8.25	79 X 12.25
2G60N77M4	600.0	480	3	10	721.7	40.89	75 X 78.5	5.5	79 X 9.5
2G54N88M4	604.0	480	3	9	726.5	41.95	67.5 X 89.5	5.5	71.5 X 9.5
6G18N88M4	606.0	480	3	18	728.9	13.98	22.5 X 89.5	16.5	26.5 X 20.5
3G36N88M4	606.0	480	3	3	728.9	27.50	45 X 88	8.25	49 X 12.25
6G24N64M2	612.0	240	3	24	1472.2	13.65	30 X 65.5	16.5	34 X 20.5
6G24N64M4	612.0	480	3	24	736.1	13.65	30 X 65.5	16.5	34 X 20.5
4G36N64M4	612.0	480	3	24	736.1	20.00	45 X 64	11	49 X 15
3G48N64M4	612.0	480	3	3	736.1	23.88	52.5 X 65.5	8.25	56.5 X 12.25
2G72N64M4	612.0	480	3	12	736.1	40.94	90 X 65.5	5.5	94 X 9.5
8G18N64M2	616.0	240	3	24	1481.9	10.23	22.5 X 65.5	22	26.5 X 26
8G18N64M4	616.0	480	3	24	741.0	10.23	22.5 X 65.5	22	26.5 X 26
8G24N52M2	640.0	240	3	32	1539.6	11.15	30 X 53.5	22	34 X 26
8G24N52M4	640.0	480	3	32	769.8	11.15	30 X 53.5	22	34 X 26
4G48N52M4	640.0	480	3	16	769.8	19.51	52.5 X 53.5	11	56.5 X 15

Hi-Temp Duct - Type G

400 kW - 800 kW

Watt Density: 23

Gaumer Catalog Number	kW:	Volts:	Phase	Quantity Circuits	Total Amps	Face Area (Sq. Ft.)	Heater Duct Dim. Ht.x Lgth.(Inches)	Depth (Inches)	Heater Flange Ht.x Wdth.(Inches)
12G18N48M2	648.0	240	3	36	1558.8	7.73	22.5 X 49.5	33	26.5 X 37
12G18N48M4	648.0	480	3	18	779.4	7.73	22.5 X 49.5	33	26.5 X 37
12G36N25M4	648.0	480	3	18	779.4	8.28	45 X 26.5	33	49 X 37
6G36N48M4	648.0	480	3	18	779.4	15.00	45 X 48	16.5	49 X 20.5
2G60N88M4	672.0	480	3	10	808.3	46.61	75 X 89.5	5.5	79 X 9.5
3G54N64M4	690.0	480	3	3	829.9	30.70	67.5 X 65.5	8.25	71.5 X 12.25
12G12N77M2	720.0	240	3	24	1732.1	8.18	15 X 78.5	33	19 X 37
12G18N52M2	720.0	240	3	36	1732.1	8.36	22.5 X 53.5	33	26.5 X 37
12G24N40M2	720.0	240	3	48	1732.1	8.65	30 X 41.5	33	34 X 37
8G18N77M2	720.0	240	3	24	1732.1	12.27	22.5 X 78.5	22	26.5 X 26
6G24N77M2	720.0	240	3	24	1732.1	16.35	30 X 78.5	16.5	34 X 20.5
12G48N20M4	720.0	480	3	24	866.0	7.84	52.5 X 21.5	33	56.5 X 37
12G12N77M4	720.0	480	3	24	866.0	8.18	15 X 78.5	33	19 X 37
12G18N52M4	720.0	480	3	36	866.0	8.36	22.5 X 53.5	33	26.5 X 37
12G24N40M4	720.0	480	3	24	866.0	8.65	30 X 41.5	33	34 X 37
8G18N77M4	720.0	480	3	24	866.1	12.27	22.5 X 78.5	22	26.5 X 26
8G36N40M4	720.0	480	3	24	866.1	12.50	45 X 40	22	49 X 26
6G48N40M4	720.0	480	3	24	866.0	15.13	52.5 X 41.5	16.5	56.5 X 20.5
6G36N52M4	720.0	480	3	18	866.0	16.25	45 X 52	16.5	49 X 20.5
6G24N77M4	720.0	480	3	24	866.0	16.35	30 X 78.5	16.5	34 X 20.5
4G36N77M4	720.0	480	3	24	866.1	24.06	45 X 77	11	49 X 15
4G54N52M4	720.0	480	3	18	866.1	25.08	67.5 X 53.5	11	71.5 X 15
4G72N40M4	720.0	480	3	24	866.1	25.94	90 X 41.5	11	94 X 15
3G48N77M4	720.0	480	3	3	866.0	28.62	52.5 X 78.5	8.25	56.5 X 12.25
3G72N52M4	720.0	480	3	3	866.0	33.44	90 X 53.5	8.25	94 X 12.25
2G72N77M4	720.0	480	3	12	866.1	49.06	90 X 78.5	5.5	94 X 9.5
3G60N64M4	765.0	480	3	3	920.2	34.11	75 X 65.5	8.25	79 X 12.25
8G48N33M4	768.0	480	3	32	923.8	12.58	52.5 X 34.5	22	56.5 X 26
4G60N52M4	800.0	480	3	20	962.3	27.86	75 X 53.5	11	79 X 15

Hi-Temp Duct - Type G

400 kW - 800 kW

Watt Density: 20

Gaumer Catalog Number	kW:	Volts:	Phase	Quantity Circuits	Total Amps	Face Area (Sq. Ft.)	Heater Duct Dim. Ht.x Lgth.(Inches)	Depth (Inches)	Heater Flange Ht.x Wdth.(Inches)
8G18N52B2Y	400.0	240	3	24	962.3	8.36	22.5 X 53.5	22	26.5 X 26
8G18N52B4Y	400.0	480	3	12	481.1	8.36	22.5 X 53.5	22	26.5 X 26
8G30N33B4Y	400.0	480	3	12	481.1	8.98	37.5 X 34.5	22	41.5 X 26
4G36N52B4Y	400.0	480	3	12	481.1	16.25	45 X 52	11	49 X 15
4G30N61B4Y	400.0	480	3	10	481.1	16.28	37.5 X 62.5	11	41.5 X 15
4G60N33B4Y	400.0	480	3	10	481.1	17.97	75 X 34.5	11	79 X 15
2G60N61B4Y	400.0	480	3	5	481.1	31.77	75 X 61	5.5	79 X 9.5
2G72N52B4Y	400.0	480	3	6	481.1	33.44	90 X 53.5	5.5	94 X 9.5
6G24N52B2Y	402.0	240	3	24	967.1	11.15	30 X 53.5	16.5	34 X 20.5
6G24N52B4Y	402.0	480	3	12	483.5	11.15	30 X 53.5	16.5	34 X 20.5
6G30N43B4Y	402.0	480	3	15	483.5	11.59	37.5 X 44.5	16.5	41.5 X 20.5
8G24N43B2Y	424.0	240	3	32	1020.0	9.27	30 X 44.5	22	34 X 26
8G24N43B4Y	424.0	480	3	12	510.0	9.27	30 X 44.5	22	34 X 26
4G48N43B4Y	428.0	480	3	16	514.8	16.22	52.5 X 44.5	11	56.5 X 15
3G30N88B4Y	444.0	480	3	3	534.0	23.31	37.5 X 89.5	8.25	41.5 X 12.25
3G54N52B4Y	450.0	480	3	3	541.3	25.08	67.5 X 53.5	8.25	71.5 X 12.25
8G12N78B2Y	472.0	240	3	16	1135.5	8.13	15 X 78	22	19 X 26
4G24N78B2Y	472.0	240	3	16	1135.5	16.25	30 X 78	11	34 X 15
8G12N88B4Y	472.0	480	3	12	567.7	9.32	15 X 89.5	22	19 X 26
4G24N88B4Y	472.0	480	3	16	567.7	18.65	30 X 89.5	11	34 X 15
2G48N88B4Y	474.0	480	3	8	570.2	32.08	52.5 X 88	5.5	56.5 X 9.5
12G12N61B2Y	480.0	240	3	24	1154.7	6.51	15 X 62.5	33	19 X 37
12G18N43B2Y	480.0	240	3	36	1154.7	6.95	22.5 X 44.5	33	26.5 X 37
12G24N33B2Y	480.0	240	3	24	1154.7	7.19	30 X 34.5	33	34 X 37
8G18N61B2Y	480.0	240	3	24	1154.7	9.77	22.5 X 62.5	22	26.5 X 26
6G24N61B2Y	480.0	240	3	24	1154.7	13.02	30 X 62.5	16.5	34 X 20.5
12G12N61B4Y	480.0	480	3	12	577.4	6.51	15 X 62.5	33	19 X 37
12G18N43B4Y	480.0	480	3	12	577.4	6.95	22.5 X 44.5	33	26.5 X 37
12G24N33B4Y	480.0	480	3	12	577.4	7.19	30 X 34.5	33	34 X 37
8G18N61B4Y	480.0	480	3	12	577.4	9.77	22.5 X 62.5	22	26.5 X 26
8G36N33B4Y	480.0	480	3	12	577.4	10.78	45 X 34.5	22	49 X 26
6G48N33B4Y	480.0	480	3	12	577.4	12.58	52.5 X 34.5	16.5	56.5 X 20.5
6G24N61B4Y	480.0	480	3	12	577.4	13.02	30 X 62.5	16.5	34 X 20.5
6G36N43B4Y	480.0	480	3	18	577.4	13.91	45 X 44.5	16.5	49 X 20.5
4G36N61B4Y	480.0	480	3	12	577.4	19.06	45 X 61	11	49 X 15
4G54N43B4Y	480.0	480	3	18	577.4	20.86	67.5 X 44.5	11	71.5 X 15
4G72N33B4Y	480.0	480	3	12	577.4	21.56	90 X 34.5	11	94 X 15
3G48N61B4Y	480.0	480	3	3	577.4	22.24	52.5 X 61	8.25	56.5 X 12.25
3G72N43B4Y	480.0	480	3	3	577.4	27.81	90 X 44.5	8.25	94 X 12.25
2G72N61B4Y	480.0	480	3	6	577.4	39.06	90 X 62.5	5.5	94 X 9.5
6G30N52B4Y	498.0	480	3	15	599.0	13.93	37.5 X 53.5	16.5	41.5 X 20.5
3G60N52B4Y	501.0	480	3	3	602.6	27.86	75 X 53.5	8.25	79 X 12.25
4G48N52B4Y	532.0	480	3	16	639.9	18.96	52.5 X 52	11	56.5 X 15
4G60N43B4Y	532.0	480	3	20	639.9	23.18	75 X 44.5	11	79 X 15
2G54N88B4Y	532.0	480	3	9	639.9	41.95	67.5 X 89.5	5.5	71.5 X 9.5
6G18N78B2Y	534.0	240	3	18	1284.6	12.19	22.5 X 78	16.5	26.5 X 20.5
6G18N88B4Y	534.0	480	3	18	642.3	13.98	22.5 X 89.5	16.5	26.5 X 20.5

Hi-Temp Duct - Type G

400 kW - 800 kW

Watt Density: 20

Gaumer Catalog Number	kW:	Volts:	Phase	Quantity Circuits	Total Amps	Face Area (Sq. Ft.)	Heater Duct Dim. Ht.x Lgth.(Inches)	Depth (Inches)	Heater Flange Ht.x Wdth.(Inches)
3G36N88B4Y	534.0	480	3	3	642.3	27.50	45 X 88	8.25	49 X 12.25
8G24N52B2Y	536.0	240	3	32	1289.5	11.15	30 X 53.5	22	34 X 26
8G24N52B4Y	536.0	480	3	16	644.7	11.15	30 X 53.5	22	34 X 26
8G30N43B4Y	536.0	480	3	20	644.7	11.59	37.5 X 44.5	22	41.5 X 26
6G54N33B4Y	540.0	480	3	27	649.5	16.17	67.5 X 34.5	16.5	71.5 X 20.5
3G54N61B4Y	540.0	480	3	3	649.5	29.30	67.5 X 62.5	8.25	71.5 X 12.25
4G30N88B4Y	592.0	480	3	20	712.1	23.31	37.5 X 89.5	11	41.5 X 15
12G18N52B2Y	600.0	240	3	36	1443.4	8.36	22.5 X 53.5	33	26.5 X 37
12G18N52B4Y	600.0	480	3	18	721.7	8.36	22.5 X 53.5	33	26.5 X 37
12G30N33B4Y	600.0	480	3	30	721.7	8.98	37.5 X 34.5	33	41.5 X 37
6G36N52B4Y	600.0	480	3	18	721.7	16.25	45 X 52	16.5	49 X 20.5
6G30N61B4Y	600.0	480	3	15	721.7	16.28	37.5 X 62.5	16.5	41.5 X 20.5
6G60N33B4Y	600.0	480	3	15	721.7	17.97	75 X 34.5	16.5	79 X 20.5
4G54N52B4Y	600.0	480	3	18	721.7	25.08	67.5 X 53.5	11	71.5 X 15
3G60N61B4Y	600.0	480	3	3	721.7	32.55	75 X 62.5	8.25	79 X 12.25
3G72N52B4Y	600.0	480	3	3	721.7	33.44	90 X 53.5	8.25	94 X 12.25
12G24N43B2Y	636.0	240	3	48	1530.0	9.27	30 X 44.5	33	34 X 37
12G24N43B4Y	636.0	480	3	24	765.0	9.27	30 X 44.5	33	34 X 37
8G24N61B2Y	640.0	240	3	32	1539.6	13.02	30 X 62.5	22	34 X 26
8G48N33B4Y	640.0	480	3	16	769.8	12.58	52.5 X 34.5	22	56.5 X 26
8G24N61B4Y	640.0	480	3	32	769.8	13.02	30 X 62.5	22	34 X 26
8G36N43B4Y	640.0	480	3	24	769.8	13.91	45 X 44.5	22	49 X 26
4G48N61B4Y	640.0	480	3	16	769.8	22.24	52.5 X 61	11	56.5 X 15
4G72N43B4Y	640.0	480	3	24	769.8	27.81	90 X 44.5	11	94 X 15
6G48N43B4Y	642.0	480	3	24	772.2	16.22	52.5 X 44.5	16.5	56.5 X 20.5
8G30N52B4Y	664.0	480	3	20	798.7	13.93	37.5 X 53.5	22	41.5 X 26
4G60N52B4Y	668.0	480	3	20	803.5	27.86	75 X 53.5	11	79 X 15
12G12N78B2Y	708.0	240	3	24	1703.2	8.13	15 X 78	33	19 X 37
6G24N78B2Y	708.0	240	3	24	1703.2	16.25	30 X 78	16.5	34 X 20.5
12G12N88B4Y	708.0	480	3	24	851.6	9.32	15 X 89.5	33	19 X 37
6G24N88B4Y	708.0	480	3	24	851.6	18.65	30 X 89.5	16.5	34 X 20.5
2G72N88B4Y	710.0	480	3	12	854.0	55.94	90 X 89.5	5.5	94 X 9.5
3G48N88B4Y	711.0	480	3	3	855.2	32.08	52.5 X 88	8.25	56.5 X 12.25
8G18N78B2Y	712.0	240	3	24	1712.9	12.19	22.5 X 78	22	26.5 X 26
8G18N88B4Y	712.0	480	3	24	856.4	13.98	22.5 X 89.5	22	26.5 X 26
4G36N88B4Y	712.0	480	3	24	856.4	27.50	45 X 88	11	49 X 15
12G18N61B2Y	720.0	240	3	36	1732.1	9.77	22.5 X 62.5	33	26.5 X 37
12G18N61B4Y	720.0	480	3	36	866.0	9.77	22.5 X 62.5	33	26.5 X 37
12G36N33B4Y	720.0	480	3	18	866.0	10.78	45 X 34.5	33	49 X 37
8G54N33B4Y	720.0	480	3	18	866.1	16.17	67.5 X 34.5	22	71.5 X 26
6G36N61B4Y	720.0	480	3	18	866.0	19.06	45 X 61	16.5	49 X 20.5
6G54N43B4Y	720.0	480	3	27	866.0	20.86	67.5 X 44.5	16.5	71.5 X 20.5
6G72N33B4Y	720.0	480	3	18	866.0	21.56	90 X 34.5	16.5	94 X 20.5
4G54N61B4Y	720.0	480	3	18	866.1	29.30	67.5 X 62.5	11	71.5 X 15
3G72N61B4Y	720.0	480	3	3	866.0	39.06	90 X 62.5	8.25	94 X 12.25
6G48N52B4Y	798.0	480	3	24	959.8	18.96	52.5 X 52	16.5	56.5 X 20.5
6G60N43B4Y	798.0	480	3	30	959.8	23.18	75 X 44.5	16.5	79 X 20.5

Hi-Temp Duct - Type G

400 kW - 800 kW

Watt Density: 20

Gaumer Catalog Number	kW:	Volts:	Phase	Quantity Circuits	Total Amps	Face Area (Sq. Ft.)	Heater Duct Dim. Ht.x Lgth.(Inches)	Depth (Inches)	Heater Flange Ht.x Wdth.(Inches)
3G54N88B4Y	798.0	480	3	3	959.8	41.95	67.5 X 89.5	8.25	71.5 X 12.25
8G36N52B4Y	800.0	480	3	24	962.3	16.25	45 X 52	22	49 X 26
8G30N61B4Y	800.0	480	3	20	962.3	16.28	37.5 X 62.5	22	41.5 X 26
8G60N33B4Y	800.0	480	3	20	962.3	17.97	75 X 34.5	22	79 X 26
4G60N61B4Y	800.0	480	3	20	962.3	32.55	75 X 62.5	11	79 X 15
4G72N52B4Y	800.0	480	3	24	962.3	33.44	90 X 53.5	11	94 X 15

Hi-Temp Duct - Type G

400 kW - 800 kW

Watt Density: 15

Gaumer Catalog Number	kW:	Volts:	Phase	Quantity Circuits	Total Amps	Face Area (Sq. Ft.)	Heater Duct Dim. Ht.x Lgth.(Inches)	Depth (Inches)	Heater Flange Ht.x Wdth.(Inches)
8G24N52B2S	400.0	240	3	32	962.3	11.15	30 X 53.5	22	34 X 26
8G12N88H4Y	400.0	480	3	12	481.1	9.32	15 X 89.5	22	19 X 26
8G18N61H4Y	400.0	480	3	12	481.1	9.77	22.5 X 62.5	22	26.5 X 26
8G24N52B4S	400.0	480	3	12	481.1	11.15	30 X 53.5	22	34 X 26
8G30N43B4S	400.0	480	3	12	481.1	11.59	37.5 X 44.5	22	41.5 X 26
4G24N88H4Y	400.0	480	3	16	481.1	18.65	30 X 89.5	11	34 X 15
4G48N52B4S	400.0	480	3	16	481.1	18.96	52.5 X 52	11	56.5 X 15
4G36N61H4Y	400.0	480	3	12	481.1	19.53	45 X 62.5	11	49 X 15
4G60N40H4Y	400.0	480	3	10	481.1	21.61	75 X 41.5	11	79 X 15
4G60N43B4S	400.0	480	3	10	481.1	23.18	75 X 44.5	11	79 X 15
2G48N88H4Y	400.0	480	3	8	481.1	32.63	52.5 X 89.5	5.5	56.5 X 9.5
2G54N78H4Y	400.0	480	3	9	481.1	37.27	67.5 X 79.5	5.5	71.5 X 9.5
2G72N61H4Y	400.0	480	3	6	481.1	39.06	90 X 62.5	5.5	94 X 9.5
2G54N88B4S	400.0	480	3	9	481.1	41.95	67.5 X 89.5	5.5	71.5 X 9.5
6G18N78B2S	402.0	240	3	18	967.1	12.19	22.5 X 78	16.5	26.5 X 20.5
6G24N61H2Y	402.0	240	3	24	967.1	13.02	30 X 62.5	16.5	34 X 20.5
6G18N78H4Y	402.0	480	3	18	483.5	12.42	22.5 X 79.5	16.5	26.5 X 20.5
6G24N61H4Y	402.0	480	3	12	483.5	13.02	30 X 62.5	16.5	34 X 20.5
6G18N88B4S	402.0	480	3	18	483.5	13.98	22.5 X 89.5	16.5	26.5 X 20.5
3G54N61B4S	405.0	480	3	3	487.1	29.30	67.5 X 62.5	8.25	71.5 X 12.25
6G54N33B4S	408.0	480	3	27	490.7	16.17	67.5 X 34.5	16.5	71.5 X 20.5
12G18N48H2Y	432.0	240	3	36	1039.2	7.73	22.5 X 49.5	33	26.5 X 37
12G18N48H4Y	432.0	480	3	12	519.6	7.73	22.5 X 49.5	33	26.5 X 37
6G54N33H4Y	432.0	480	3	27	519.6	16.17	67.5 X 34.5	16.5	71.5 X 20.5
6G36N52H4Y	432.0	480	3	18	519.6	16.72	45 X 53.5	16.5	49 X 20.5
4G54N52H4Y	432.0	480	3	3	519.6	25.08	67.5 X 53.5	11	71.5 X 15
3G72N52H4Y	432.0	480	3	3	519.6	33.44	90 X 53.5	8.25	94 X 12.25
4G30N88B4S	444.0	480	3	20	534.1	23.31	37.5 X 89.5	11	41.5 X 15
2G60N78H4Y	444.0	480	3	9	534.1	41.41	75 X 79.5	5.5	79 X 9.5
6G18N88H4Y	450.0	480	3	18	541.3	13.98	22.5 X 89.5	16.5	26.5 X 20.5
6G36N52B4S	450.0	480	3	18	541.3	16.25	45 X 52	16.5	49 X 20.5
6G30N61B4S	450.0	480	3	15	541.3	16.28	37.5 X 62.5	16.5	41.5 X 20.5
6G60N33B4S	450.0	480	3	15	541.3	17.97	75 X 34.5	16.5	79 X 20.5
3G36N88H4Y	450.0	480	3	3	541.3	27.97	45 X 89.5	8.25	49 X 12.25
3G54N61H4Y	450.0	480	3	3	541.3	29.30	67.5 X 62.5	8.25	71.5 X 12.25
3G60N61B4S	450.0	480	3	3	541.3	32.55	75 X 62.5	8.25	79 X 12.25
3G72N52B4S	450.0	480	3	3	541.3	33.44	90 X 53.5	8.25	94 X 12.25
2G54N88H4Y	450.0	480	3	9	541.3	41.95	67.5 X 89.5	5.5	71.5 X 9.5
4G54N52B4S	452.0	480	3	18	543.7	25.08	67.5 X 53.5	11	71.5 X 15
12G18N52B2S	456.0	240	3	36	1097.0	8.36	22.5 X 53.5	33	26.5 X 37
12G18N52B4S	456.0	480	3	12	548.5	8.36	22.5 X 53.5	33	26.5 X 37
12G30N33B4S	456.0	480	3	12	548.5	8.98	37.5 X 34.5	33	41.5 X 37
12G24N40H2Y	480.0	240	3	24	1154.7	8.65	30 X 41.5	33	34 X 37
12G24N43B2S	480.0	240	3	24	1154.7	9.27	30 X 44.5	33	34 X 37
8G24N61B2S	480.0	240	3	32	1154.7	13.02	30 X 62.5	22	34 X 26
12G24N40H4Y	480.0	480	3	12	577.4	8.65	30 X 41.5	33	34 X 37
12G24N43B4S	480.0	480	3	12	577.4	9.27	30 X 44.5	33	34 X 37

Hi-Temp Duct - Type G

400 kW - 800 kW

Watt Density: 15

Gaumer Catalog Number	kW:	Volts:	Phase	Quantity Circuits	Total Amps	Face Area (Sq. Ft.)	Heater Duct Dim. Ht.x Lgth.(Inches)	Depth (Inches)	Heater Flange Ht.x Wdth.(Inches)
8G48N33B4S	480.0	480	3	12	577.4	12.58	52.5 X 34.5	22	56.5 X 26
8G36N40H4Y	480.0	480	3	12	577.4	12.97	45 X 41.5	22	49 X 26
8G24N61B4S	480.0	480	3	12	577.4	13.02	30 X 62.5	22	34 X 26
8G36N43B4S	480.0	480	3	12	577.4	13.44	45 X 43	22	49 X 26
6G48N40H4Y	480.0	480	3	12	577.4	15.13	52.5 X 41.5	16.5	56.5 X 20.5
6G48N43B4S	480.0	480	3	12	577.4	16.22	52.5 X 44.5	16.5	56.5 X 20.5
6G60N33H4Y	480.0	480	3	15	577.4	17.97	75 X 34.5	16.5	79 X 20.5
4G48N61B4S	480.0	480	3	16	577.4	22.24	52.5 X 61	11	56.5 X 15
4G72N40H4Y	480.0	480	3	12	577.4	25.94	90 X 41.5	11	94 X 15
4G72N43B4S	480.0	480	3	12	577.4	27.81	90 X 44.5	11	94 X 15
4G60N52H4Y	480.0	480	3	20	577.4	27.86	75 X 53.5	11	79 X 15
4G60N52B4S	500.0	480	3	20	601.4	27.86	75 X 53.5	11	79 X 15
2G60N88H4Y	500.0	480	3	5	601.4	46.61	75 X 89.5	5.5	79 X 9.5
3G60N61H4Y	501.0	480	3	3	602.6	32.55	75 X 62.5	8.25	79 X 12.25
8G30N52B4S	504.0	480	3	20	606.2	13.93	37.5 X 53.5	22	41.5 X 26
8G48N33H4Y	512.0	480	3	16	615.9	12.58	52.5 X 34.5	22	56.5 X 26
12G12N78B2S	528.0	240	3	24	1270.2	8.13	15 X 78	33	19 X 37
12G12N78H2Y	528.0	240	3	24	1270.2	8.28	15 X 79.5	33	19 X 37
12G12N88B4D	528.0	240	3	24	1270.2	9.32	15 X 89.5	33	19 X 37
12G12N78H4Y	528.0	480	3	24	635.1	8.28	15 X 79.5	33	19 X 37
4G48N61H4Y	532.0	480	3	16	639.9	22.79	52.5 X 62.5	11	56.5 X 15
4G36N78H4Y	532.0	480	3	24	639.9	24.84	45 X 79.5	11	49 X 15
4G36N88B4S	532.0	480	3	24	639.9	27.50	45 X 88	11	49 X 15
2G72N78H4Y	532.0	480	3	6	639.9	49.69	90 X 79.5	5.5	94 X 9.5
2G72N88B4S	532.0	480	3	6	639.9	55.94	90 X 89.5	5.5	94 X 9.5
6G24N78B2S	534.0	240	3	24	1284.6	16.25	30 X 78	16.5	34 X 20.5
6G24N78H2Y	534.0	240	3	24	1284.6	16.56	30 X 79.5	16.5	34 X 20.5
6G24N78H4Y	534.0	480	3	24	642.3	16.56	30 X 79.5	16.5	34 X 20.5
6G24N88B4S	534.0	480	3	24	642.3	18.65	30 X 89.5	16.5	34 X 20.5
3G48N78H4Y	534.0	480	3	3	642.3	28.98	52.5 X 79.5	8.25	56.5 X 12.25
3G48N88B4S	534.0	480	3	3	642.3	32.08	52.5 X 88	8.25	56.5 X 12.25
8G18N78B2S	536.0	240	3	24	1289.5	12.19	22.5 X 78	22	26.5 X 26
8G24N61H2Y	536.0	240	3	32	1289.5	13.02	30 X 62.5	22	34 X 26
8G18N78H4Y	536.0	480	3	24	644.7	12.42	22.5 X 79.5	22	26.5 X 26
8G24N61H4Y	536.0	480	3	16	644.7	13.02	30 X 62.5	22	34 X 26
8G18N88B4S	536.0	480	3	24	644.7	13.98	22.5 X 89.5	22	26.5 X 26
12G18N61B2S	540.0	240	3	36	1299.0	9.77	22.5 X 62.5	33	26.5 X 37
12G18N61B4S	540.0	480	3	18	649.5	9.77	22.5 X 62.5	33	26.5 X 37
12G36N33B4S	540.0	480	3	18	649.5	10.78	45 X 34.5	33	49 X 37
6G36N61B4S	540.0	480	3	18	649.5	19.06	45 X 61	16.5	49 X 20.5
6G54N40H4Y	540.0	480	3	27	649.5	19.45	67.5 X 41.5	16.5	71.5 X 20.5
6G54N43B4S	540.0	480	3	27	649.5	20.86	67.5 X 44.5	16.5	71.5 X 20.5
6G72N33B4S	540.0	480	3	18	649.5	21.56	90 X 34.5	16.5	94 X 20.5
4G54N61B4S	540.0	480	3	9	649.5	29.30	67.5 X 62.5	11	71.5 X 15
3G72N61B4S	540.0	480	3	3	649.5	39.06	90 X 62.5	8.25	94 X 12.25
8G54N33B4S	544.0	480	3	18	654.3	16.17	67.5 X 34.5	22	71.5 X 26
12G24N48H2Y	576.0	240	3	48	1385.6	10.31	30 X 49.5	33	34 X 37

Hi-Temp Duct - Type G

400 kW - 800 kW

Watt Density: 15

Gaumer Catalog Number	kW:	Volts:	Phase	Quantity Circuits	Total Amps	Face Area (Sq. Ft.)	Heater Duct Dim. Ht.x Lgth.(Inches)	Depth (Inches)	Heater Flange Ht.x Wdth.(Inches)
12G24N48H4Y	576.0	480	3	24	692.8	10.31	30 X 49.5	33	34 X 37
12G36N33H4Y	576.0	480	3	18	692.8	10.78	45 X 34.5	33	49 X 37
8G54N33H4Y	576.0	480	3	18	692.8	16.17	67.5 X 34.5	22	71.5 X 26
8G36N52H4Y	576.0	480	3	24	692.8	16.72	45 X 53.5	22	49 X 26
6G48N52H4Y	576.0	480	3	24	692.8	19.51	52.5 X 53.5	16.5	56.5 X 20.5
6G72N33H4Y	576.0	480	3	18	692.8	21.56	90 X 34.5	16.5	94 X 20.5
4G72N52H4Y	576.0	480	3	24	692.8	33.44	90 X 53.5	11	94 X 15
12G24N52B2S	600.0	240	3	48	1443.4	11.15	30 X 53.5	33	34 X 37
12G12N88H4Y	600.0	480	3	24	721.7	9.32	15 X 89.5	33	19 X 37
12G18N61H4Y	600.0	480	3	18	721.7	9.77	22.5 X 62.5	33	26.5 X 37
12G24N52B4S	600.0	480	3	24	721.7	11.15	30 X 53.5	33	34 X 37
12G30N43B4S	600.0	480	3	30	721.7	11.59	37.5 X 44.5	33	41.5 X 37
8G18N88H4Y	600.0	480	3	24	721.7	13.98	22.5 X 89.5	22	26.5 X 26
8G36N52B4S	600.0	480	3	24	721.7	16.25	45 X 52	22	49 X 26
8G30N61B4S	600.0	480	3	20	721.7	16.28	37.5 X 62.5	22	41.5 X 26
8G60N33B4S	600.0	480	3	20	721.7	17.97	75 X 34.5	22	79 X 26
6G24N88H4Y	600.0	480	3	24	721.7	18.65	30 X 89.5	16.5	34 X 20.5
6G48N52B4S	600.0	480	3	24	721.7	18.96	52.5 X 52	16.5	56.5 X 20.5
6G36N61H4Y	600.0	480	3	18	721.7	19.53	45 X 62.5	16.5	49 X 20.5
6G60N40H4Y	600.0	480	3	15	721.7	21.61	75 X 41.5	16.5	79 X 20.5
6G60N43B4S	600.0	480	3	15	721.7	23.18	75 X 44.5	16.5	79 X 20.5
4G36N88H4Y	600.0	480	3	24	721.7	27.97	45 X 89.5	11	49 X 15
4G54N61H4Y	600.0	480	3	9	721.7	29.30	67.5 X 62.5	11	71.5 X 15
4G60N61B4S	600.0	480	3	20	721.7	32.55	75 X 62.5	11	79 X 15
3G48N88H4Y	600.0	480	3	3	721.7	32.63	52.5 X 89.5	8.25	56.5 X 12.25
4G72N52B4S	600.0	480	3	24	721.7	33.44	90 X 53.5	11	94 X 15
3G54N78H4Y	600.0	480	3	3	721.7	37.27	67.5 X 79.5	8.25	71.5 X 12.25
3G72N61H4Y	600.0	480	3	3	721.7	39.06	90 X 62.5	8.25	94 X 12.25
3G54N88B4S	600.0	480	3	3	721.7	41.95	67.5 X 89.5	8.25	71.5 X 12.25
2G72N88H4Y	600.0	480	3	6	721.7	55.94	90 X 89.5	5.5	94 X 9.5
8G48N40H4Y	640.0	480	3	16	769.8	15.13	52.5 X 41.5	22	56.5 X 26
8G48N43B4S	640.0	480	3	16	769.8	16.22	52.5 X 44.5	22	56.5 X 26
8G60N33H4Y	640.0	480	3	20	769.8	17.97	75 X 34.5	22	79 X 26
6G54N52H4Y	648.0	480	3	27	779.4	25.08	67.5 X 53.5	16.5	71.5 X 20.5
6G30N88B4S	666.0	480	3	30	801.1	23.31	37.5 X 89.5	16.5	41.5 X 20.5
3G60N78H4Y	666.0	480	3	3	801.1	41.41	75 X 79.5	8.25	79 X 12.25
3G60N88B4S	666.0	480	3	3	801.1	46.61	75 X 89.5	8.25	79 X 12.25
4G60N61H4Y	668.0	480	3	20	803.5	32.55	75 X 62.5	11	79 X 15
3G54N88H4Y	675.0	480	3	3	811.9	41.95	67.5 X 89.5	8.25	71.5 X 12.25
6G54N52B4S	678.0	480	3	27	815.5	25.08	67.5 X 53.5	16.5	71.5 X 20.5
8G24N78B2S	712.0	240	3	32	1712.9	16.25	30 X 78	22	34 X 26
8G24N78H2Y	712.0	240	3	32	1712.9	16.56	30 X 79.5	22	34 X 26
8G24N78H4Y	712.0	480	3	32	856.4	16.56	30 X 79.5	22	34 X 26
8G24N88B4S	712.0	480	3	32	856.4	18.65	30 X 89.5	22	34 X 26
4G48N78H4Y	712.0	480	3	32	856.4	28.98	52.5 X 79.5	11	56.5 X 15
4G48N88B4S	712.0	480	3	32	856.4	32.08	52.5 X 88	11	56.5 X 15
12G24N61B2S	720.0	240	3	48	1732.1	13.02	30 X 62.5	33	34 X 37

Hi-Temp Duct - Type G

400 kW - 800 kW

Watt Density: 15

Gaumer Catalog Number	kW:	Volts:	Phase	Quantity Circuits	Total Amps	Face Area (Sq. Ft.)	Heater Duct Dim. Ht.x Lgth.(Inches)	Depth (Inches)	Heater Flange Ht.x Wdth.(Inches)
12G48N33B4S	720.0	480	3	24	866.0	12.58	52.5 X 34.5	33	56.5 X 37
12G36N40H4Y	720.0	480	3	18	866.0	12.97	45 X 41.5	33	49 X 37
12G24N61B4S	720.0	480	3	24	866.0	13.02	30 X 62.5	33	34 X 37
12G36N43B4S	720.0	480	3	18	866.0	13.91	45 X 44.5	33	49 X 37
8G36N61B4S	720.0	480	3	24	866.1	19.06	45 X 61	22	49 X 26
8G54N40H4Y	720.0	480	3	18	866.1	19.45	67.5 X 41.5	22	71.5 X 26
8G54N43B4S	720.0	480	3	18	866.1	20.86	67.5 X 44.5	22	71.5 X 26
8G72N33B4S	720.0	480	3	24	866.1	21.56	90 X 34.5	22	94 X 26
6G48N61B4S	720.0	480	3	24	866.0	22.24	52.5 X 61	16.5	56.5 X 20.5
6G72N40H4Y	720.0	480	3	18	866.0	25.94	90 X 41.5	16.5	94 X 20.5
6G72N43B4S	720.0	480	3	18	866.0	27.81	90 X 44.5	16.5	94 X 20.5
6G60N52H4Y	720.0	480	3	30	866.0	27.86	75 X 53.5	16.5	79 X 20.5
4G72N61B4S	720.0	480	3	24	866.1	39.06	90 X 62.5	11	94 X 15
6G60N52B4S	750.0	480	3	20	902.1	27.86	75 X 53.5	16.5	79 X 20.5
3G60N88H4Y	750.0	480	3	3	902.1	46.61	75 X 89.5	8.25	79 X 12.25
12G30N52B4S	756.0	480	3	30	909.3	13.93	37.5 X 53.5	33	41.5 X 37
12G48N33H4Y	768.0	480	3	24	923.8	12.58	52.5 X 34.5	33	56.5 X 37
8G48N52H4Y	768.0	480	3	32	923.8	19.51	52.5 X 53.5	22	56.5 X 26
8G72N33H4Y	768.0	480	3	24	923.8	21.56	90 X 34.5	22	94 X 26
6G48N61H4Y	798.0	480	3	24	959.8	22.79	52.5 X 62.5	16.5	56.5 X 20.5
6G36N78H4Y	798.0	480	3	36	959.8	24.84	45 X 79.5	16.5	49 X 20.5
6G36N88B4S	798.0	480	3	36	959.8	27.50	45 X 88	16.5	49 X 20.5
3G72N78H4Y	798.0	480	3	3	959.8	49.69	90 X 79.5	8.25	94 X 12.25
3G72N88B4S	798.0	480	3	3	959.8	55.94	90 X 89.5	8.25	94 X 12.25
8G24N88H4Y	800.0	480	3	32	962.3	18.65	30 X 89.5	22	34 X 26
8G48N52B4S	800.0	480	3	32	962.3	18.96	52.5 X 52	22	56.5 X 26
8G36N61H4Y	800.0	480	3	24	962.3	19.53	45 X 62.5	22	49 X 26
8G60N40H4Y	800.0	480	3	20	962.3	21.61	75 X 41.5	22	79 X 26
8G60N43B4S	800.0	480	3	20	962.3	23.18	75 X 44.5	22	79 X 26
4G48N88H4Y	800.0	480	3	32	962.3	32.63	52.5 X 89.5	11	56.5 X 15
4G54N78H4Y	800.0	480	3	9	962.3	37.27	67.5 X 79.5	11	71.5 X 15
4G72N61H4Y	800.0	480	3	24	962.3	39.06	90 X 62.5	11	94 X 15
4G54N88B4S	800.0	480	3	36	962.3	41.95	67.5 X 89.5	11	71.5 X 15

Hi-Temp Duct - Type G

400 kW - 800 kW

Watt Density: 12

Gaumer Catalog Number	kW:	Volts:	Phase	Quantity Circuits	Total Amps	Face Area (Sq. Ft.)	Heater Duct Dim. Ht.x Lgth.(Inches)	Depth (Inches)	Heater Flange Ht.x Wdth.(Inches)
8G18N78H2S	400.0	240	3	24	962.3	12.42	22.5 X 79.5	22	26.5 X 26
8G24N61H2S	400.0	240	3	32	962.3	13.02	30 X 62.5	22	34 X 26
8G18N78H4S	400.0	480	3	12	481.1	12.42	22.5 X 79.5	22	26.5 X 26
8G24N61H4S	400.0	480	3	12	481.1	13.02	30 X 62.5	22	34 X 26
4G48N61H4S	400.0	480	3	16	481.1	22.79	52.5 X 62.5	11	56.5 X 15
4G36N78H4S	400.0	480	3	12	481.1	24.84	45 X 79.5	11	49 X 15
2G72N78H4S	400.0	480	3	6	481.1	49.69	90 X 79.5	5.5	94 X 9.5
6G24N78H2S	402.0	240	3	24	967.1	16.56	30 X 79.5	16.5	34 X 20.5
6G24N78H4S	402.0	480	3	12	483.5	16.56	30 X 79.5	16.5	34 X 20.5
12G24N48H2S	432.0	240	3	24	1039.2	10.31	30 X 49.5	33	34 X 37
12G24N48H4S	432.0	480	3	12	519.6	10.31	30 X 49.5	33	34 X 37
8G36N52H4S	432.0	480	3	12	519.6	16.72	45 X 53.5	22	49 X 26
6G48N52H4S	432.0	480	3	12	519.6	19.51	52.5 X 53.5	16.5	56.5 X 20.5
4G72N52H4S	432.0	480	3	12	519.6	33.44	90 X 53.5	11	94 X 15
8G18N88H4D	448.0	240	3	24	1077.8	13.98	22.5 X 89.5	22	26.5 X 26
8G18N88H4S	448.0	480	3	12	538.9	13.98	22.5 X 89.5	22	26.5 X 26
4G36N88H4S	448.0	480	3	12	538.9	27.97	45 X 89.5	11	49 X 15
6G24N88H4D	450.0	240	3	24	1082.5	18.65	30 X 89.5	16.5	34 X 20.5
6G24N88H4S	450.0	480	3	12	541.3	18.65	30 X 89.5	16.5	34 X 20.5
6G36N61H4S	450.0	480	3	18	541.3	19.53	45 X 62.5	16.5	49 X 20.5
3G48N88H4S	450.0	480	3	3	541.3	32.63	52.5 X 89.5	8.25	56.5 X 12.25
3G54N78H4S	450.0	480	3	3	541.3	37.27	67.5 X 79.5	8.25	71.5 X 12.25
3G72N61H4S	450.0	480	3	3	541.3	39.06	90 X 62.5	8.25	94 X 12.25
2G72N88H4S	450.0	480	3	6	541.3	55.94	90 X 89.5	5.5	94 X 9.5
4G54N61H4S	452.0	480	3	18	543.7	29.30	67.5 X 62.5	11	71.5 X 15
12G12N88H4D	456.0	240	3	24	1097.0	9.32	15 X 89.5	33	19 X 37
12G18N61H2S	456.0	240	3	36	1097.0	9.77	22.5 X 62.5	33	26.5 X 37
12G18N61H4S	456.0	480	3	12	548.5	3.05	22.5 X 19.5	33	26.5 X 37
12G12N88H4S	456.0	480	3	12	548.5	9.32	15 X 89.5	33	19 X 37
6G54N52H4S	486.0	480	3	27	584.6	25.08	67.5 X 53.5	16.5	71.5 X 20.5
4G60N61H4S	500.0	480	3	5	601.4	32.55	75 X 62.5	11	79 X 15
3G60N78H4S	501.0	480	3	3	602.6	41.41	75 X 79.5	8.25	79 X 12.25
3G54N88H4S	507.0	480	3	3	609.8	41.95	67.5 X 89.5	8.25	71.5 X 12.25
4G48N78H4S	532.0	480	3	16	639.9	28.98	52.5 X 79.5	11	56.5 X 15
8G24N78H2S	536.0	240	3	16	1289.5	16.56	30 X 79.5	22	34 X 26
8G24N78H4S	536.0	480	3	16	644.7	16.56	30 X 79.5	22	34 X 26
6G60N52H4S	540.0	480	3	20	649.5	27.86	75 X 53.5	16.5	79 X 20.5
3G60N88H4S	564.0	480	3	3	678.4	46.61	75 X 89.5	8.25	79 X 12.25
8G48N52H4S	576.0	480	3	16	692.8	19.51	52.5 X 53.5	22	56.5 X 26
12G18N78H2S	600.0	240	3	36	1443.4	12.42	22.5 X 79.5	33	26.5 X 37
12G24N61H2S	600.0	240	3	48	1443.4	13.02	30 X 62.5	33	34 X 37
8G24N88H4D	600.0	240	3	32	1443.4	18.65	30 X 89.5	22	34 X 26
12G18N78H4S	600.0	480	3	18	721.7	12.42	22.5 X 79.5	33	26.5 X 37
12G24N61H4S	600.0	480	3	24	721.7	13.02	30 X 62.5	33	34 X 37
8G24N88H4S	600.0	480	3	32	721.7	18.65	30 X 89.5	22	34 X 26
8G36N61H4S	600.0	480	3	24	721.7	19.53	45 X 62.5	22	49 X 26
6G48N61H4S	600.0	480	3	24	721.7	22.79	52.5 X 62.5	16.5	56.5 X 20.5

Hi-Temp Duct - Type G

400 kW - 800 kW

Watt Density: 12

Gaumer Catalog Number	kW:	Volts:	Phase	Quantity Circuits	Total Amps	Face Area (Sq. Ft.)	Heater Duct Dim. Ht.x Lgth.(Inches)	Depth (Inches)	Heater Flange Ht.x Wdth.(Inches)
6G36N78H4S	600.0	480	3	18	721.7	24.84	45 X 79.5	16.5	49 X 20.5
4G48N88H4S	600.0	480	3	16	721.7	32.63	52.5 X 89.5	11	56.5 X 15
4G54N78H4S	600.0	480	3	18	721.7	37.27	67.5 X 79.5	11	71.5 X 15
4G72N61H4S	600.0	480	3	24	721.7	39.06	90 X 62.5	11	94 X 15
3G72N78H4S	600.0	480	3	3	721.7	49.69	90 X 79.5	8.25	94 X 12.25
12G36N52H4S	648.0	480	3	18	779.4	16.72	45 X 53.5	33	49 X 37
8G54N52H4S	648.0	480	3	18	779.4	25.08	67.5 X 53.5	22	71.5 X 26
6G72N52H4S	648.0	480	3	18	779.4	33.44	90 X 53.5	16.5	94 X 20.5
4G60N78H4S	668.0	480	3	5	803.5	41.41	75 X 79.5	11	79 X 15
12G18N88H4D	672.0	240	3	36	1616.6	13.98	22.5 X 89.5	33	26.5 X 37
12G18N88H4S	672.0	480	3	18	808.3	13.98	22.5 X 89.5	33	26.5 X 37
6G36N88H4S	672.0	480	3	18	808.3	27.97	45 X 89.5	16.5	49 X 20.5
3G72N88H4S	675.0	480	3	3	811.9	55.94	90 X 89.5	8.25	94 X 12.25
4G54N88H4S	676.0	480	3	18	813.1	41.95	67.5 X 89.5	11	71.5 X 15
6G54N61H4S	678.0	480	3	27	815.5	29.30	67.5 X 62.5	16.5	71.5 X 20.5
8G60N52H4S	720.0	480	3	20	866.1	27.86	75 X 53.5	22	79 X 26
6G60N61H4S	750.0	480	3	20	902.1	32.55	75 X 62.5	16.5	79 X 20.5
4G60N88H4S	752.0	480	3	20	904.5	46.61	75 X 89.5	11	79 X 15
6G48N78H4S	798.0	480	3	24	959.8	28.98	52.5 X 79.5	16.5	56.5 X 20.5
8G48N61H4S	800.0	480	3	32	962.3	22.79	52.5 X 62.5	22	56.5 X 26
8G36N78H4S	800.0	480	3	24	962.3	24.84	45 X 79.5	22	49 X 26
4G72N78H4S	800.0	480	3	24	962.3	49.69	90 X 79.5	11	94 X 15

Hi-Temp Duct - Type G

400 kW - 800 kW

Watt Density: 8

Gaumer Catalog Number	kW:	Volts:	Phase	Quantity Circuits	Total Amps	Face Area (Sq. Ft.)	Heater Duct Dim. Ht.x Lgth.(Inches)	Depth (Inches)	Heater Flange Ht.x Wdth.(Inches)
4G54N88M4Y	400.0	480	3	18	481.1	41.95	67.5 X 89.5	11	71.5 X 15
6G36N88M4Y	402.0	480	3	18	483.5	27.97	45 X 89.5	16.5	49 X 20.5
12G24N64M4Y	408.0	480	3	12	490.8	13.65	30 X 65.5	33	34 X 37
12G18N88M4Y	408.0	480	3	12	490.8	13.98	22.5 X 89.5	33	26.5 X 37
8G36N64M4Y	408.0	480	3	12	490.8	20.47	45 X 65.5	22	49 X 26
6G48N64M4Y	408.0	480	3	12	490.7	23.88	52.5 X 65.5	16.5	56.5 X 20.5
8G48N52M4Y	424.0	480	3	12	510.0	19.51	52.5 X 53.5	22	56.5 X 26
6G54N64M4Y	462.0	480	3	27	555.7	30.70	67.5 X 65.5	16.5	71.5 X 20.5
12G24N77M4Y	480.0	480	3	12	577.4	16.35	30 X 78.5	33	34 X 37
12G36N52M4Y	480.0	480	3	12	577.4	16.72	45 X 53.5	33	49 X 37
8G36N77M4Y	480.0	480	3	12	577.4	24.53	45 X 78.5	22	49 X 26
8G54N52M4Y	480.0	480	3	12	577.4	25.08	67.5 X 53.5	22	71.5 X 26
6G48N77M4Y	480.0	480	3	12	577.4	28.62	52.5 X 78.5	16.5	56.5 X 20.5
8G36N88M4Y	536.0	480	3	24	644.7	27.97	45 X 89.5	22	49 X 26
12G24N88M4Y	540.0	480	3	24	649.5	18.65	30 X 89.5	33	34 X 37
6G48N88M4Y	540.0	480	3	24	649.5	32.63	52.5 X 89.5	16.5	56.5 X 20.5
6G54N77M4Y	540.0	480	3	27	649.5	36.80	67.5 X 78.5	16.5	71.5 X 20.5
8G48N64M4Y	544.0	480	3	16	654.3	23.88	52.5 X 65.5	22	56.5 X 26
6G54N88M4Y	600.0	480	3	27	721.7	41.95	67.5 X 89.5	16.5	71.5 X 20.5
12G36N64M4Y	612.0	480	3	18	736.1	20.47	45 X 65.5	33	49 X 37
8G54N64M4Y	616.0	480	3	18	741.0	30.70	67.5 X 65.5	22	71.5 X 26
12G48N52M4Y	636.0	480	3	24	765.0	19.51	52.5 X 53.5	33	56.5 X 37
8G48N77M4Y	640.0	480	3	16	769.8	28.62	52.5 X 78.5	22	56.5 X 26
12G36N77M4Y	720.0	480	3	18	866.0	24.53	45 X 78.5	33	49 X 37
12G54N52M4Y	720.0	480	3	18	866.0	25.08	67.5 X 53.5	33	71.5 X 37
8G48N88M4Y	720.0	480	3	32	866.1	32.63	52.5 X 89.5	22	56.5 X 26
8G54N77M4Y	720.0	480	3	18	866.1	36.80	67.5 X 78.5	22	71.5 X 26
8G54N88M4Y	800.0	480	3	36	962.3	41.95	67.5 X 89.5	22	71.5 X 26

Hi-Temp Duct - Type G

400 kW - 800 kW

Watt Density: 6

Gaumer Catalog Number	kW:	Volts:	Phase	Quantity Circuits	Total Amps	Face Area (Sq. Ft.)	Heater Duct Dim. Ht.x Lgth.(Inches)	Depth (Inches)	Heater Flange Ht.x Wdth.(Inches)
8G60N52M2S	400.0	240	3	20	962.3	27.86	75 X 53.5	22	79 X 26
8G60N52M4S	400.0	480	3	12	481.1	27.86	75 X 53.5	22	79 X 26
8G36N88M4S	400.0	480	3	12	481.1	27.97	45 X 89.5	22	49 X 26
6G48N88M4S	402.0	480	3	12	483.5	32.63	52.5 X 89.5	16.5	56.5 X 20.5
4G72N88M4S	404.0	480	3	12	486.0	55.94	90 X 89.5	11	94 X 15
8G48N64M2S	408.0	240	3	32	981.5	23.88	52.5 X 65.5	22	56.5 X 26
12G24N88M4S	408.0	480	3	12	490.8	18.65	30 X 89.5	33	34 X 37
8G48N64M4S	408.0	480	3	12	490.8	23.88	52.5 X 65.5	22	56.5 X 26
12G48N48M2S	432.0	240	3	24	1039.2	18.05	52.5 X 49.5	33	56.5 X 37
12G48N48M4S	432.0	480	3	12	519.6	18.05	52.5 X 49.5	33	56.5 X 37
12G72N33M2S	432.0	480	3	12	519.6	20.63	90 X 33	33	94 X 37
12G72N33M4S	432.0	480	3	12	519.6	21.56	90 X 34.5	33	94 X 37
8G72N48M2S	432.0	480	3	12	519.6	30.00	90 X 48	22	94 X 26
8G72N48M4S	432.0	480	3	12	519.6	30.94	90 X 49.5	22	94 X 26
6G60N77M2S	450.0	240	3	30	1082.5	40.89	75 X 78.5	16.5	79 X 20.5
6G60N77M4S	450.0	480	3	30	541.3	40.89	75 X 78.5	16.5	79 X 20.5
12G36N64M2S	456.0	240	3	36	1097.0	20.47	45 X 65.5	33	49 X 37
12G60N40M2S	456.0	240	3	40	1097.0	21.61	75 X 41.5	33	79 X 37
12G36N64M4S	456.0	480	3	12	548.5	20.47	45 X 65.5	33	49 X 37
12G60N40M4S	456.0	480	3	12	548.5	21.61	75 X 41.5	33	79 X 37
6G72N64M2S	462.0	480	3	18	555.7	40.00	90 X 64	16.5	94 X 20.5
6G72N64M4S	462.0	480	3	18	555.7	40.94	90 X 65.5	16.5	94 X 20.5
12G48N52M2S	480.0	240	3	24	1154.7	19.51	52.5 X 53.5	33	56.5 X 37
8G48N77M2S	480.0	240	3	32	1154.7	28.62	52.5 X 78.5	22	56.5 X 26
12G48N52M4S	480.0	480	3	12	577.4	19.51	52.5 X 53.5	33	56.5 X 37
8G48N77M4S	480.0	480	3	12	577.4	28.62	52.5 X 78.5	22	56.5 X 26
8G72N52M2S	480.0	480	3	12	577.4	32.50	90 X 52	22	94 X 26
8G72N52M4S	480.0	480	3	12	577.4	33.44	90 X 53.5	22	94 X 26
6G60N88M4S	504.0	480	3	15	606.2	46.61	75 X 89.5	16.5	79 X 20.5
8G60N64M2S	512.0	240	3	40	1231.7	34.11	75 X 65.5	22	79 X 26
8G60N64M4S	512.0	480	3	20	615.9	34.11	75 X 65.5	22	79 X 26
8G48N88M4S	536.0	480	3	16	644.7	32.63	52.5 X 89.5	22	56.5 X 26
12G36N77M2S	540.0	240	3	36	1299.0	24.53	45 X 78.5	33	49 X 37
12G60N48M2S	540.0	240	3	40	1299.0	25.78	75 X 49.5	33	79 X 37
12G36N77M4S	540.0	480	3	18	649.5	24.53	45 X 78.5	33	49 X 37
12G72N40M2S	540.0	480	3	18	649.5	25.00	90 X 40	33	94 X 37
12G60N48M4S	540.0	480	3	20	649.5	25.78	75 X 49.5	33	79 X 37
12G72N40M4S	540.0	480	3	18	649.5	25.94	90 X 41.5	33	94 X 37
6G72N77M2S	540.0	480	3	18	649.5	48.13	90 X 77	16.5	94 X 20.5
6G72N77M4S	540.0	480	3	18	649.5	49.06	90 X 78.5	16.5	94 X 20.5
12G60N52M2S	600.0	240	3	40	1443.4	27.86	75 X 53.5	33	79 X 37
8G60N77M2S	600.0	240	3	40	1443.4	40.89	75 X 78.5	22	79 X 26
12G60N52M4S	600.0	480	3	20	721.7	27.86	75 X 53.5	33	79 X 37
12G36N88M4S	600.0	480	3	18	721.7	27.97	45 X 89.5	33	49 X 37
8G60N77M4S	600.0	480	3	20	721.7	40.89	75 X 78.5	22	79 X 26
6G72N88M4S	606.0	480	3	18	728.9	55.94	90 X 89.5	16.5	94 X 20.5
12G48N64M2S	612.0	240	3	48	1472.2	23.88	52.5 X 65.5	33	56.5 X 37

Hi-Temp Duct - Type G

400 kW - 800 kW

Watt Density: 6

Gaumer Catalog Number	kW:	Volts:	Phase	Quantity Circuits	Total Amps	Face Area (Sq. Ft.)	Heater Duct Dim. Ht.x Lgth.(Inches)	Depth (Inches)	Heater Flange Ht.x Wdth.(Inches)
12G48N64M4S	612.0	480	3	24	736.1	23.88	52.5 X 65.5	33	56.5 X 37
8G72N64M2S	616.0	480	3	24	741.0	40.00	90 X 64	22	94 X 26
8G72N64M4S	616.0	480	3	24	741.0	40.94	90 X 65.5	22	94 X 26
12G72N48M2S	648.0	480	3	18	779.4	30.00	90 X 48	33	94 X 37
12G72N48M4S	648.0	480	3	18	779.4	30.94	90 X 49.5	33	94 X 37
8G60N88M4S	672.0	480	3	20	808.3	46.61	75 X 89.5	22	79 X 26
12G48N77M2S	720.0	240	3	48	1732.1	28.62	52.5 X 78.5	33	56.5 X 37
12G48N77M4S	720.0	480	3	24	866.0	28.62	52.5 X 78.5	33	56.5 X 37
12G72N52M2S	720.0	480	3	18	866.0	32.50	90 X 52	33	94 X 37
12G72N52M4S	720.0	480	3	18	866.0	33.44	90 X 53.5	33	94 X 37
8G72N77M2S	720.0	480	3	24	866.1	48.13	90 X 77	22	94 X 26
8G72N77M4S	720.0	480	3	24	866.1	49.06	90 X 78.5	22	94 X 26
12G60N64M2S	768.0	240	3	40	1847.5	34.11	75 X 65.5	33	79 X 37
12G60N64M4S	768.0	480	3	20	923.8	34.11	75 X 65.5	33	79 X 37

Hi-Temp Duct - Type G

400 kW - 800 kW

Watt Density: 4

Gaumer Catalog Number	kW:	Volts:	Phase	Quantity Circuits	Total Amps	Face Area (Sq. Ft.)	Heater Duct Dim. Ht.x Lgth.(Inches)	Depth (Inches)	Heater Flange Ht.x Wdth.(Inches)
8G54N78H4SY	400.0	480	3	12	481.1	37.27	67.5 X 79.5	22	71.5 X 26
8G72N61H4SY	400.0	480	3	12	481.1	39.06	90 X 62.5	22	94 X 26
6G72N78H4SY	402.0	480	3	18	483.5	49.69	90 X 79.5	16.5	94 X 20.5
8G48N88H4SY	432.0	480	3	12	519.6	32.63	52.5 X 89.5	22	56.5 X 26
12G72N52H4SY	432.0	480	3	12	519.6	33.44	90 X 53.5	33	94 X 37
8G60N78H4SY	448.0	480	3	12	538.9	41.41	75 X 79.5	22	79 X 26
8G54N88H4SY	448.0	480	3	12	538.9	41.95	67.5 X 89.5	22	71.5 X 26
6G72N88H4SY	450.0	480	3	18	541.3	55.94	90 X 89.5	16.5	94 X 20.5
12G36N88H4SY	456.0	480	3	12	548.5	27.97	45 X 89.5	33	49 X 37
12G54N61H4SY	456.0	480	3	12	548.5	29.30	67.5 X 62.5	33	71.5 X 37
12G60N61H4SY	504.0	480	3	20	606.2	32.55	75 X 62.5	33	79 X 37
8G60N88H4SY	504.0	480	3	20	606.2	46.61	75 X 89.5	22	79 X 26
12G48N78H4SY	528.0	480	3	24	635.1	28.98	52.5 X 79.5	33	56.5 X 37
8G72N78H4SY	536.0	480	3	24	644.7	49.69	90 X 79.5	22	94 X 26
12G54N78H4SY	600.0	480	3	18	721.7	37.27	67.5 X 79.5	33	71.5 X 37
12G72N61H4SY	600.0	480	3	18	721.7	39.06	90 X 62.5	33	94 X 37
8G72N88H4SY	600.0	480	3	24	721.7	55.94	90 X 89.5	22	94 X 26
12G48N88H4SY	648.0	480	3	24	779.4	32.63	52.5 X 89.5	33	56.5 X 37
12G60N78H4SY	672.0	480	3	20	808.3	41.41	75 X 79.5	33	79 X 37
12G54N88H4SY	672.0	480	3	18	808.3	41.95	67.5 X 89.5	33	71.5 X 37
12G60N88H4SY	756.0	480	3	20	909.3	46.61	75 X 89.5	33	79 X 37

GAUMER PROCESS

HEATERS
SYSTEMS
CONTROLS

APPLICATIONS

The Gaumer Electric Process Type G Duct Heater is designed for rugged duty where air must be heated to temperatures higher than what would be normal for comfort heating. Temperatures as high as 1100° F are possible if the heater is properly selected. Contact Gaumer Process for assistance in selecting Type G Duct Heaters.

HEATER SELECTION

One (1G-----) Row Coil

For heating large quantities of re-circulated air thru a very small temperature rise (to 20 degrees) resulting in a low pressure drop and low heater face velocity (300-1000 fpm).

Two (2G-----) or Three (3G-----) Row Coil

For heating large quantities of re-circulated air thru a temperature rise (10 to 50 degrees) resulting in a normal pressure drop and average heater face velocity (500-2000 fpm).

Three (3G-----) or Four (4G-----) Row Coil

For average quantities of air thru a normal temperature rise (50-100 degrees) resulting in a low pressure drop and low heater face velocity (500-2000 fpm).

Six(6G--), Eight(8G--), or Twelve(12G---) Row Coil

For average quantities of air thru a higher than normal temperature rise (100-600 degrees).

SPECIAL FEATURES

- INS Insulated Section on Element Side of Flange
- SPT Flange Attached Spacer Assembly
- SS Stainless Steel Flange
- W Wattage Other Than Cataloged
- V Voltage Other Than Cataloged
- ER Explosion Resistant Construction
- LT Weatherproof Construction
- J(K) Additional Sheath Sensing Thermocouple for Overheat Protection
- HTR Space Heater Mounted in Terminal Enclosure
- X Special Feature not Listed Above

Hi-Temp Duct - Type G

800 kW - 5000 kW



STANDARD FEATURES

Heating Elements

- Incoloy 800 Sheath Material
- Heavy Wall (.035 in.)
- Large Diameter (.475 in.)
- Sealed Terminals

Standard Features

- High Temp Alloy Spacers
- Gaumer "Evenflow" Configuration
- Type K TC for Overheat Protection
- Insulated Terminal Section

Construction

- Welded Heating Elements
- Welded Spacers

Installation

- Flying Leadwires Provided
- Only Standard Materials Needed in Field

Service

- Wiring Modifiable in Field
- Assembly Repairable at Factory

Hi-Temp Duct - Type G

800 kW - 5000 kW

Watt Density: 23

Gaumer Catalog Number	kW:	Volts:	Phase	Quantity Circuits	Total Amps	Face Area (Sq. Ft.)	Heater Duct Dim. Ht.x Lgth.(Inches)	Depth (Inches)	Heater Flange Ht.x Wdth.(Inches)
4G60N52M4	800.0	480	3	20	962.3	27.86	75 X 53.5	11	79 X 15
12G12N88M4	804.0	480	3	24	967.1	9.32	15 X 89.5	33	19 X 37
6G24N88M4	804.0	480	3	24	967.1	18.65	30 X 89.5	16.5	34 X 20.5
3G48N88M4	804.0	480	3	3	967.1	32.63	52.5 X 89.5	8.25	56.5 X 12.25
2G72N88M4	806.0	480	3	12	969.5	55.94	90 X 89.5	5.5	94 X 9.5
8G18N88M4	808.0	480	3	24	971.9	13.98	22.5 X 89.5	22	26.5 X 26
4G36N88M4	808.0	480	3	24	971.9	27.50	45 X 88	11	49 X 15
6G54N40M4	810.0	480	3	27	974.3	19.45	67.5 X 41.5	16.5	71.5 X 20.5
3G54N77M4	810.0	480	3	3	974.3	36.80	67.5 X 78.5	8.25	71.5 X 12.25
8G24N64M2	816.0	240	3	32	1963.0	13.65	30 X 65.5	22	34 X 26
8G24N64M4	816.0	480	3	32	981.5	13.65	30 X 65.5	22	34 X 26
4G48N64M4	816.0	480	3	32	981.5	23.88	52.5 X 65.5	11	56.5 X 15
12G24N48M2	864.0	240	3	48	2078.5	10.31	30 X 49.5	33	34 X 37
12G48N25M4	864.0	480	3	24	1039.2	9.66	52.5 X 26.5	33	56.5 X 37
12G24N48M4	864.0	480	3	24	1039.2	10.31	30 X 49.5	33	34 X 37
12G36N33M4	864.0	480	3	36	1039.2	10.78	45 X 34.5	33	49 X 37
8G36N48M4	864.0	480	3	24	1039.3	15.00	45 X 48	22	49 X 26
6G48N48M4	864.0	480	3	24	1039.2	18.05	52.5 X 49.5	16.5	56.5 X 20.5
6G60N40M4	900.0	480	3	30	1082.5	21.61	75 X 41.5	16.5	79 X 20.5
3G60N77M4	900.0	480	3	3	1082.5	40.89	75 X 78.5	8.25	79 X 12.25
3G54N88M4	906.0	480	3	3	1089.7	41.95	67.5 X 89.5	8.25	71.5 X 12.25
6G36N64M4	918.0	480	3	36	1104.2	20.00	45 X 64	16.5	49 X 20.5
3G72N64M4	918.0	480	3	3	1104.2	40.94	90 X 65.5	8.25	94 X 12.25
4G54N64M4	920.0	480	3	36	1106.6	30.70	67.5 X 65.5	11	71.5 X 15
12G18N64M2	924.0	240	3	36	2222.8	10.23	22.5 X 65.5	33	26.5 X 37
12G18N64M4	924.0	480	3	36	1111.4	10.23	22.5 X 65.5	33	26.5 X 37
12G24N52M2	960.0	240	3	48	2309.4	11.15	30 X 53.5	33	34 X 37
8G24N77M2	960.0	240	3	32	2309.5	16.35	30 X 78.5	22	34 X 26
12G24N52M4	960.0	480	3	24	1154.7	11.15	30 X 53.5	33	34 X 37
8G48N40M4	960.0	480	3	32	1154.7	15.13	52.5 X 41.5	22	56.5 X 26
8G36N52M4	960.0	480	3	24	1154.7	16.25	45 X 52	22	49 X 26
8G24N77M4	960.0	480	3	32	1154.7	16.35	30 X 78.5	22	34 X 26
6G48N52M4	960.0	480	3	24	1154.7	19.51	52.5 X 53.5	16.5	56.5 X 20.5
4G48N77M4	960.0	480	3	32	1154.7	28.62	52.5 X 78.5	11	56.5 X 15
4G72N52M4	960.0	480	3	24	1154.7	33.44	90 X 53.5	11	94 X 15
3G60N88M4	1008.0	480	3	3	1212.4	46.61	75 X 89.5	8.25	79 X 12.25
4G60N64M4	1020.0	480	3	40	1226.9	34.11	75 X 65.5	11	79 X 15
8G24N88M4	1072.0	480	3	32	1289.5	18.65	30 X 89.5	22	34 X 26
4G48N88M4	1072.0	480	3	32	1289.5	32.63	52.5 X 89.5	11	56.5 X 15
12G18N77M2	1080.0	240	3	36	2598.1	12.27	22.5 X 78.5	33	26.5 X 37
12G18N77M4	1080.0	480	3	36	1299.0	12.27	22.5 X 78.5	33	26.5 X 37
12G36N40M4	1080.0	480	3	36	1299.0	12.97	45 X 41.5	33	49 X 37
8G54N40M4	1080.0	480	3	36	1299.1	19.45	67.5 X 41.5	22	71.5 X 26
6G36N77M4	1080.0	480	3	36	1299.0	24.06	45 X 77	16.5	49 X 20.5
6G54N52M4	1080.0	480	3	27	1299.0	25.08	67.5 X 53.5	16.5	71.5 X 20.5
6G72N40M4	1080.0	480	3	36	1299.0	25.94	90 X 41.5	16.5	94 X 20.5
4G54N77M4	1080.0	480	3	32	1299.1	36.80	67.5 X 78.5	11	71.5 X 15

Hi-Temp Duct - Type G

800 kW - 5000 kW

Watt Density: 23

Gaumer Catalog Number	kW:	Volts:	Phase	Quantity Circuits	Total Amps	Face Area (Sq. Ft.)	Heater Duct Dim. Ht.x Lgth.(Inches)	Depth (Inches)	Heater Flange Ht.x Wdth.(Inches)
3G72N77M4	1080.0	480	3	3	1299.0	49.06	90 X 78.5	8.25	94 X 12.25
12G48N33M4	1152.0	480	3	48	1385.6	12.58	52.5 X 34.5	33	56.5 X 37
8G48N48M4	1152.0	480	3	32	1385.7	18.05	52.5 X 49.5	22	56.5 X 26
8G60N40M4	1200.0	480	3	40	1443.4	21.61	75 X 41.5	22	79 X 26
6G60N52M4	1200.0	480	3	30	1443.4	27.86	75 X 53.5	16.5	79 X 20.5
4G60N77M4	1200.0	480	3	40	1443.4	40.89	75 X 78.5	11	79 X 15
4G54N88M4	1208.0	480	3	36	1453.0	41.95	67.5 X 89.5	11	71.5 X 15
3G72N88M4	1209.0	480	3	3	1454.2	55.94	90 X 89.5	8.25	94 X 12.25
12G18N88M4	1212.0	480	3	36	1457.8	13.98	22.5 X 89.5	33	26.5 X 37
6G36N88M4	1212.0	480	3	36	1457.8	27.50	45 X 88	16.5	49 X 20.5
12G24N64M2	1224.0	240	3	48	2944.5	13.65	30 X 65.5	33	34 X 37
12G24N64M4	1224.0	480	3	48	1472.2	13.65	30 X 65.5	33	34 X 37
8G36N64M4	1224.0	480	3	48	1472.3	20.00	45 X 64	22	49 X 26
6G48N64M4	1224.0	480	3	48	1472.2	23.88	52.5 X 65.5	16.5	56.5 X 20.5
4G72N64M4	1224.0	480	3	48	1472.3	40.94	90 X 65.5	11	94 X 15
8G48N52M4	1280.0	480	3	32	1539.6	19.51	52.5 X 53.5	22	56.5 X 26
12G36N48M4	1296.0	480	3	36	1558.8	15.47	45 X 49.5	33	49 X 37
4G60N88M4	1344.0	480	3	40	1616.6	46.61	75 X 89.5	11	79 X 15
6G54N64M4	1380.0	480	3	54	1659.9	30.70	67.5 X 65.5	16.5	71.5 X 20.5
12G24N77M2	1440.0	240	3	48	3464.1	16.35	30 X 78.5	33	34 X 37
12G48N40M4	1440.0	480	3	48	1732.1	15.13	52.5 X 41.5	33	56.5 X 37
12G24N77M4	1440.0	480	3	48	1732.1	16.35	30 X 78.5	33	34 X 37
12G36N52M4	1440.0	480	3	36	1732.1	16.72	45 X 53.5	33	49 X 37
8G36N77M4	1440.0	480	3	48	1732.1	24.06	45 X 77	22	49 X 26
8G54N52M4	1440.0	480	3	36	1732.1	25.08	67.5 X 53.5	22	71.5 X 26
8G72N40M4	1440.0	480	3	48	1732.1	25.94	90 X 41.5	22	94 X 26
6G48N77M4	1440.0	480	3	48	1732.1	28.62	52.5 X 78.5	16.5	56.5 X 20.5
6G72N52M4	1440.0	480	3	36	1732.1	33.44	90 X 53.5	16.5	94 X 20.5
4G72N77M4	1440.0	480	3	48	1732.1	49.06	90 X 78.5	11	94 X 15
6G60N64M4	1530.0	480	3	60	1840.3	34.11	75 X 65.5	16.5	79 X 20.5
8G60N52M4	1600.0	480	3	40	1924.6	27.86	75 X 53.5	22	79 X 26
12G24N88M4	1608.0	480	3	48	1934.1	18.65	30 X 89.5	33	34 X 37
6G48N88M4	1608.0	480	3	48	1934.1	32.63	52.5 X 89.5	16.5	56.5 X 20.5
4G72N88M4	1612.0	480	3	48	1939.0	55.94	90 X 89.5	11	94 X 15
8G36N88M4	1616.0	480	3	48	1943.8	27.50	45 X 88	22	49 X 26
12G54N40M4	1620.0	480	3	54	1948.6	19.45	67.5 X 41.5	33	71.5 X 37
6G54N77M4	1620.0	480	3	54	1948.6	36.80	67.5 X 78.5	16.5	71.5 X 20.5
8G48N64M4	1632.0	480	3	64	1963.0	23.88	52.5 X 65.5	22	56.5 X 26
12G48N48M4	1728.0	480	3	48	2078.5	18.05	52.5 X 49.5	33	56.5 X 37
12G60N40M4	1800.0	480	3	60	2165.1	21.61	75 X 41.5	33	79 X 37
6G60N77M4	1800.0	480	3	60	2165.1	40.89	75 X 78.5	16.5	79 X 20.5
6G54N88M4	1812.0	480	3	54	2179.5	41.95	67.5 X 89.5	16.5	71.5 X 20.5
12G36N64M4	1836.0	480	3	72	2208.4	20.47	45 X 65.5	33	49 X 37
6G72N64M4	1836.0	480	3	72	2208.4	40.94	90 X 65.5	16.5	94 X 20.5
8G54N64M4	1840.0	480	3	72	2213.2	30.70	67.5 X 65.5	22	71.5 X 26
12G48N52M4	1920.0	480	3	48	2309.4	19.51	52.5 X 53.5	33	56.5 X 37
8G48N77M4	1920.0	480	3	64	2309.5	28.62	52.5 X 78.5	22	56.5 X 26

Hi-Temp Duct - Type G

800 kW - 5000 kW

Watt Density: 23

Gaumer Catalog Number	kW:	Volts:	Phase	Quantity Circuits	Total Amps	Face Area (Sq. Ft.)	Heater Duct Dim. Ht.x Lgth.(Inches)	Depth (Inches)	Heater Flange Ht.x Wdth.(Inches)
8G72N52M4	1920.0	480	3	48	2309.5	33.44	90 X 53.5	22	94 X 26
6G60N88M4	2016.0	480	3	60	2424.9	46.61	75 X 89.5	16.5	79 X 20.5
8G60N64M4	2040.0	480	3	80	2453.8	34.11	75 X 65.5	22	79 X 26
8G48N88M4	2144.0	480	3	64	2578.9	32.63	52.5 X 89.5	22	56.5 X 26
12G36N77M4	2160.0	480	3	72	2598.1	24.53	45 X 78.5	33	49 X 37
12G54N52M4	2160.0	480	3	54	2598.1	25.08	67.5 X 53.5	33	71.5 X 37
12G72N40M4	2160.0	480	3	72	2598.1	25.94	90 X 41.5	33	94 X 37
8G54N77M4	2160.0	480	3	64	2598.2	36.80	67.5 X 78.5	22	71.5 X 26
6G72N77M4	2160.0	480	3	72	2598.1	49.06	90 X 78.5	16.5	94 X 20.5
12G60N52M4	2400.0	480	3	60	2886.8	27.86	75 X 53.5	33	79 X 37
8G60N77M4	2400.0	480	3	80	2886.8	40.89	75 X 78.5	22	79 X 26
8G54N88M4	2416.0	480	3	72	2906.1	41.95	67.5 X 89.5	22	71.5 X 26
6G72N88M4	2418.0	480	3	72	2908.4	55.94	90 X 89.5	16.5	94 X 20.5
12G36N88M4	2424.0	480	3	72	2915.6	27.97	45 X 89.5	33	49 X 37
12G48N64M4	2448.0	480	3	96	2944.5	23.88	52.5 X 65.5	33	56.5 X 37
8G72N64M4	2448.0	480	3	96	2944.6	40.94	90 X 65.5	22	94 X 26
8G60N88M4	2688.0	480	3	80	3233.3	46.61	75 X 89.5	22	79 X 26
12G54N64M4	2760.0	480	3	108	3319.8	30.70	67.5 X 65.5	33	71.5 X 37
12G48N77M4	2880.0	480	3	96	3464.1	28.62	52.5 X 78.5	33	56.5 X 37
12G72N52M4	2880.0	480	3	72	3464.1	33.44	90 X 53.5	33	94 X 37
8G72N77M4	2880.0	480	3	96	3464.2	49.06	90 X 78.5	22	94 X 26
12G60N64M4	3060.0	480	3	120	3680.6	34.11	75 X 65.5	33	79 X 37
12G48N88M4	3216.0	480	3	96	3868.2	32.63	52.5 X 89.5	33	56.5 X 37
8G72N88M4	3224.0	480	3	96	3878.0	55.94	90 X 89.5	22	94 X 26
12G54N77M4	3240.0	480	3	108	3897.1	36.80	67.5 X 78.5	33	71.5 X 37
12G60N77M4	3600.0	480	3	120	4330.1	40.89	75 X 78.5	33	79 X 37
12G54N88M4	3624.0	480	3	108	4359.0	41.95	67.5 X 89.5	33	71.5 X 37
12G72N64M4	3672.0	480	3	144	4416.7	40.94	90 X 65.5	33	94 X 37
12G60N88M4	4032.0	480	3	120	4849.7	46.61	75 X 89.5	33	79 X 37
12G72N77M4	4320.0	480	3	144	5196.2	49.06	90 X 78.5	33	94 X 37
12G72N88M4	4836.0	480	3	144	5816.8	55.94	90 X 89.5	33	94 X 37

Hi-Temp Duct - Type G

800 kW - 5000 kW

Watt Density: 20

Gaumer Catalog Number	kW:	Volts:	Phase	Quantity Circuits	Total Amps	Face Area (Sq. Ft.)	Heater Duct Dim. Ht.x Lgth.(Inches)	Depth (Inches)	Heater Flange Ht.x Wdth.(Inches)
8G36N52B4Y	800.0	480	3	24	962.3	16.25	45 X 52	22	49 X 26
8G30N61B4Y	800.0	480	3	20	962.3	16.28	37.5 X 62.5	22	41.5 X 26
8G60N33B4Y	800.0	480	3	20	962.3	17.97	75 X 34.5	22	79 X 26
4G60N61B4Y	800.0	480	3	20	962.3	32.55	75 X 62.5	11	79 X 15
4G72N52B4Y	800.0	480	3	24	962.3	33.44	90 X 53.5	11	94 X 15
12G24N52B2Y	804.0	240	3	48	1934.1	11.15	30 X 53.5	33	34 X 37
12G24N52B4Y	804.0	480	3	24	967.1	11.15	30 X 53.5	33	34 X 37
12G30N43B4Y	804.0	480	3	30	967.1	11.59	37.5 X 44.5	33	41.5 X 37
8G48N43B4Y	856.0	480	3	32	1029.6	16.22	52.5 X 44.5	22	56.5 X 26
6G30N88B4Y	888.0	480	3	30	1068.1	23.31	37.5 X 89.5	16.5	41.5 X 20.5
3G60N88B4Y	888.0	480	3	3	1068.1	46.61	75 X 89.5	8.25	79 X 12.25
6G54N52B4Y	900.0	480	3	27	1082.5	25.08	67.5 X 53.5	16.5	71.5 X 20.5
8G24N78B2Y	944.0	240	3	32	2271.0	16.25	30 X 78	22	34 X 26
8G24N88B4Y	944.0	480	3	32	1135.5	18.65	30 X 89.5	22	34 X 26
4G48N88B4Y	948.0	480	3	32	1140.3	32.08	52.5 X 88	11	56.5 X 15
12G24N61B2Y	960.0	240	3	48	2309.4	13.02	30 X 62.5	33	34 X 37
12G48N33B4Y	960.0	480	3	24	1154.7	12.58	52.5 X 34.5	33	56.5 X 37
12G24N61B4Y	960.0	480	3	24	1154.7	13.02	30 X 62.5	33	34 X 37
12G36N43B4Y	960.0	480	3	36	1154.7	13.91	45 X 44.5	33	49 X 37
8G36N61B4Y	960.0	480	3	24	1154.7	19.06	45 X 61	22	49 X 26
8G54N43B4Y	960.0	480	3	36	1154.7	20.86	67.5 X 44.5	22	71.5 X 26
8G72N33B4Y	960.0	480	3	24	1154.7	21.56	90 X 34.5	22	94 X 26
6G48N61B4Y	960.0	480	3	24	1154.7	22.24	52.5 X 61	16.5	56.5 X 20.5
6G72N43B4Y	960.0	480	3	36	1154.7	27.81	90 X 44.5	16.5	94 X 20.5
4G72N61B4Y	960.0	480	3	24	1154.7	39.06	90 X 62.5	11	94 X 15
12G30N52B4Y	996.0	480	3	30	1198.0	13.93	37.5 X 53.5	33	41.5 X 37
6G60N52B4Y	1002.0	480	3	30	1205.2	27.86	75 X 53.5	16.5	79 X 20.5
8G48N52B4Y	1064.0	480	3	32	1279.8	18.96	52.5 X 52	22	56.5 X 26
8G60N43B4Y	1064.0	480	3	40	1279.8	23.18	75 X 44.5	22	79 X 26
4G54N88B4Y	1064.0	480	3	36	1279.8	41.95	67.5 X 89.5	11	71.5 X 15
3G72N88B4Y	1065.0	480	3	3	1281.0	55.94	90 X 89.5	8.25	94 X 12.25
12G18N78B2Y	1068.0	240	3	36	2569.2	12.19	22.5 X 78	33	26.5 X 37
12G18N88B4Y	1068.0	480	3	36	1284.6	13.98	22.5 X 89.5	33	26.5 X 37
6G36N88B4Y	1068.0	480	3	36	1284.6	27.50	45 X 88	16.5	49 X 20.5
12G54N33B4Y	1080.0	480	3	54	1299.0	16.17	67.5 X 34.5	33	71.5 X 37
6G54N61B4Y	1080.0	480	3	27	1299.0	29.30	67.5 X 62.5	16.5	71.5 X 20.5
8G30N88B4Y	1184.0	480	3	40	1424.2	23.31	37.5 X 89.5	22	41.5 X 26
4G60N88B4Y	1184.0	480	3	40	1424.2	46.61	75 X 89.5	11	79 X 15
12G30N61B4Y	1200.0	480	3	30	1443.4	16.28	37.5 X 62.5	33	41.5 X 37
12G36N52B4Y	1200.0	480	3	36	1443.4	16.72	45 X 53.5	33	49 X 37
12G60N33B4Y	1200.0	480	3	30	1443.4	17.97	75 X 34.5	33	79 X 37
8G54N52B4Y	1200.0	480	3	36	1443.4	25.08	67.5 X 53.5	22	71.5 X 26
6G60N61B4Y	1200.0	480	3	30	1443.4	32.55	75 X 62.5	16.5	79 X 20.5
6G72N52B4Y	1200.0	480	3	36	1443.4	33.44	90 X 53.5	16.5	94 X 20.5
8G48N61B4Y	1280.0	480	3	32	1539.6	22.24	52.5 X 61	22	56.5 X 26
8G72N43B4Y	1280.0	480	3	48	1539.6	27.81	90 X 44.5	22	94 X 26
12G48N43B4Y	1284.0	480	3	48	1544.4	16.22	52.5 X 44.5	33	56.5 X 37

Hi-Temp Duct - Type G

800 kW - 5000 kW

Watt Density: 20

Gaumer Catalog Number	kW:	Volts:	Phase	Quantity Circuits	Total Amps	Face Area (Sq. Ft.)	Heater Duct Dim. Ht.x Lgth.(Inches)	Depth (Inches)	Heater Flange Ht.x Wdth.(Inches)
8G60N52B4Y	1336.0	480	3	40	1607.0	27.86	75 X 53.5	22	79 X 26
12G24N78B2Y	1416.0	240	3	48	3406.4	16.25	30 X 78	33	34 X 37
12G24N88B4Y	1416.0	480	3	48	1703.2	18.65	30 X 89.5	33	34 X 37
4G72N88B4Y	1420.0	480	3	48	1708.0	55.94	90 X 89.5	11	94 X 15
6G48N88B4Y	1422.0	480	3	48	1710.4	32.08	52.5 X 88	16.5	56.5 X 20.5
8G36N88B4Y	1424.0	480	3	48	1712.9	27.50	45 X 88	22	49 X 26
12G36N61B4Y	1440.0	480	3	36	1732.1	19.53	45 X 62.5	33	49 X 37
12G54N43B4Y	1440.0	480	3	54	1732.1	20.86	67.5 X 44.5	33	71.5 X 37
12G72N33B4Y	1440.0	480	3	36	1732.1	21.56	90 X 34.5	33	94 X 37
8G54N61B4Y	1440.0	480	3	36	1732.1	29.30	67.5 X 62.5	22	71.5 X 26
6G72N61B4Y	1440.0	480	3	36	1732.1	39.06	90 X 62.5	16.5	94 X 20.5
12G48N52B4Y	1596.0	480	3	48	1919.7	19.51	52.5 X 53.5	33	56.5 X 37
12G60N43B4Y	1596.0	480	3	60	1919.7	23.18	75 X 44.5	33	79 X 37
6G54N88B4Y	1596.0	480	3	54	1919.7	41.95	67.5 X 89.5	16.5	71.5 X 20.5
8G60N61B4Y	1600.0	480	3	40	1924.6	32.55	75 X 62.5	22	79 X 26
8G72N52B4Y	1600.0	480	3	48	1924.6	33.44	90 X 53.5	22	94 X 26
12G30N88B4Y	1776.0	480	3	60	2136.2	23.31	37.5 X 89.5	33	41.5 X 37
6G60N88B4Y	1776.0	480	3	60	2136.2	46.61	75 X 89.5	16.5	79 X 20.5
12G54N52B4Y	1800.0	480	3	54	2165.1	25.08	67.5 X 53.5	33	71.5 X 37
8G48N88B4Y	1896.0	480	3	64	2280.6	32.08	52.5 X 88	22	56.5 X 26
12G48N61B4Y	1920.0	480	3	48	2309.4	22.79	52.5 X 62.5	33	56.5 X 37
12G72N43B4Y	1920.0	480	3	72	2309.4	27.81	90 X 44.5	33	94 X 37
8G72N61B4Y	1920.0	480	3	48	2309.5	39.06	90 X 62.5	22	94 X 26
12G60N52B4Y	2004.0	480	3	60	2410.4	27.86	75 X 53.5	33	79 X 37
8G54N88B4Y	2128.0	480	3	72	2559.7	41.95	67.5 X 89.5	22	71.5 X 26
6G72N88B4Y	2130.0	480	3	72	2562.0	55.94	90 X 89.5	16.5	94 X 20.5
12G36N88B4Y	2136.0	480	3	72	2569.2	27.97	45 X 89.5	33	49 X 37
12G54N61B4Y	2160.0	480	3	54	2598.1	29.30	67.5 X 62.5	33	71.5 X 37
8G60N88B4Y	2368.0	480	3	80	2848.3	46.61	75 X 89.5	22	79 X 26
12G60N61B4Y	2400.0	480	3	60	2886.8	32.55	75 X 62.5	33	79 X 37
12G72N52B4Y	2400.0	480	3	72	2886.8	33.44	90 X 53.5	33	94 X 37
8G72N88B4Y	2840.0	480	3	96	3416.1	55.94	90 X 89.5	22	94 X 26
12G48N88B4Y	2844.0	480	3	96	3420.8	32.63	52.5 X 89.5	33	56.5 X 37
12G72N61B4Y	2880.0	480	3	72	3464.1	39.06	90 X 62.5	33	94 X 37
12G54N88B4Y	3192.0	480	3	108	3839.4	41.95	67.5 X 89.5	33	71.5 X 37
12G60N88B4Y	3552.0	480	3	120	4272.4	46.61	75 X 89.5	33	79 X 37
12G72N88B4Y	4260.0	480	3	144	5124.0	55.94	90 X 89.5	33	94 X 37

Hi-Temp Duct - Type G

800 kW - 5000 kW

Watt Density: 15

Gaumer Catalog Number	kW:	Volts:	Phase	Quantity Circuits	Total Amps	Face Area (Sq. Ft.)	Heater Duct Dim. Ht.x Lgth.(Inches)	Depth (Inches)	Heater Flange Ht.x Wdth.(Inches)
8G24N88H4Y	800.0	480	3	32	962.3	18.65	30 X 89.5	22	34 X 26
8G48N52B4S	800.0	480	3	32	962.3	18.96	52.5 X 52	22	56.5 X 26
8G36N61H4Y	800.0	480	3	24	962.3	19.53	45 X 62.5	22	49 X 26
8G60N40H4Y	800.0	480	3	20	962.3	21.61	75 X 41.5	22	79 X 26
8G60N43B4S	800.0	480	3	20	962.3	23.18	75 X 44.5	22	79 X 26
4G48N88H4Y	800.0	480	3	32	962.3	32.63	52.5 X 89.5	11	56.5 X 15
4G54N78H4Y	800.0	480	3	9	962.3	37.27	67.5 X 79.5	11	71.5 X 15
4G72N61H4Y	800.0	480	3	24	962.3	39.06	90 X 62.5	11	94 X 15
4G54N88B4S	800.0	480	3	36	962.3	41.95	67.5 X 89.5	11	71.5 X 15
12G18N78B2S	804.0	240	3	36	1934.1	12.19	22.5 X 78	33	26.5 X 37
12G24N61H2Y	804.0	240	3	48	1934.1	13.02	30 X 62.5	33	34 X 37
12G18N78H4Y	804.0	480	3	36	967.1	12.42	22.5 X 79.5	33	26.5 X 37
12G24N61H4Y	804.0	480	3	24	967.1	13.02	30 X 62.5	33	34 X 37
12G18N88B4S	804.0	480	3	36	967.1	13.98	22.5 X 89.5	33	26.5 X 37
6G54N61B4S	810.0	480	3	27	974.3	29.30	67.5 X 62.5	16.5	71.5 X 20.5
12G54N33B4S	816.0	480	3	54	981.5	16.17	67.5 X 34.5	33	71.5 X 37
12G54N33H4Y	864.0	480	3	54	1039.2	16.17	67.5 X 34.5	33	71.5 X 37
12G36N52H4Y	864.0	480	3	36	1039.2	16.72	45 X 53.5	33	49 X 37
8G54N52H4Y	864.0	480	3	6	1039.3	25.08	67.5 X 53.5	22	71.5 X 26
6G72N52H4Y	864.0	480	3	36	1039.2	33.44	90 X 53.5	16.5	94 X 20.5
8G30N88B4S	888.0	480	3	40	1068.1	23.31	37.5 X 89.5	22	41.5 X 26
4G60N78H4Y	888.0	480	3	40	1068.1	41.41	75 X 79.5	11	79 X 15
4G60N88B4S	888.0	480	3	40	1068.1	46.61	75 X 89.5	11	79 X 15
12G18N88H4Y	900.0	480	3	36	1082.5	13.98	22.5 X 89.5	33	26.5 X 37
12G30N61B4S	900.0	480	3	30	1082.5	16.28	37.5 X 62.5	33	41.5 X 37
12G36N52B4S	900.0	480	3	36	1082.5	16.72	45 X 53.5	33	49 X 37
12G60N33B4S	900.0	480	3	30	1082.5	17.97	75 X 34.5	33	79 X 37
6G36N88H4Y	900.0	480	3	36	1082.5	27.97	45 X 89.5	16.5	49 X 20.5
6G54N61H4Y	900.0	480	3	27	1082.5	29.30	67.5 X 62.5	16.5	71.5 X 20.5
6G60N61B4S	900.0	480	3	30	1082.5	32.55	75 X 62.5	16.5	79 X 20.5
6G72N52B4S	900.0	480	3	36	1082.5	33.44	90 X 53.5	16.5	94 X 20.5
4G54N88H4Y	900.0	480	3	36	1082.6	41.95	67.5 X 89.5	11	71.5 X 15
3G72N88H4Y	900.0	480	3	3	1082.5	55.94	90 X 89.5	8.25	94 X 12.25
8G54N52B4S	904.0	480	3	36	1087.4	25.08	67.5 X 53.5	22	71.5 X 26
12G48N40H4Y	960.0	480	3	24	1154.7	15.13	52.5 X 41.5	33	56.5 X 37
12G48N43B4S	960.0	480	3	24	1154.7	16.22	52.5 X 44.5	33	56.5 X 37
12G60N33H4Y	960.0	480	3	30	1154.7	17.97	75 X 34.5	33	79 X 37
8G48N61B4S	960.0	480	3	32	1154.7	22.24	52.5 X 61	22	56.5 X 26
8G72N40H4Y	960.0	480	3	24	1154.7	25.94	90 X 41.5	22	94 X 26
8G72N43B4S	960.0	480	3	24	1154.7	27.81	90 X 44.5	22	94 X 26
8G60N52H4Y	960.0	480	3	40	1154.7	27.86	75 X 53.5	22	79 X 26
8G60N52B4S	1000.0	480	3	40	1202.8	27.86	75 X 53.5	22	79 X 26
4G60N88H4Y	1000.0	480	3	40	1202.8	46.61	75 X 89.5	11	79 X 15
6G60N61H4Y	1002.0	480	3	30	1205.2	32.55	75 X 62.5	16.5	79 X 20.5
8G48N61H4Y	1064.0	480	3	32	1279.8	22.79	52.5 X 62.5	22	56.5 X 26
8G36N78H4Y	1064.0	480	3	48	1279.8	24.84	45 X 79.5	22	49 X 26
8G36N88B4S	1064.0	480	3	48	1279.8	27.50	45 X 88	22	49 X 26

Hi-Temp Duct - Type G

800 kW - 5000 kW

Watt Density: 15

Gaumer Catalog Number	kW:	Volts:	Phase	Quantity Circuits	Total Amps	Face Area (Sq. Ft.)	Heater Duct Dim. Ht.x Lgth.(Inches)	Depth (Inches)	Heater Flange Ht.x Wdth.(Inches)
4G72N78H4Y	1064.0	480	3	48	1279.8	49.69	90 X 79.5	11	94 X 15
4G72N88B4S	1064.0	480	3	48	1279.8	55.94	90 X 89.5	11	94 X 15
12G24N78B2S	1068.0	240	3	48	2569.2	16.25	30 X 78	33	34 X 37
12G24N78H2Y	1068.0	240	3	48	2569.2	16.56	30 X 79.5	33	34 X 37
12G24N78H4Y	1068.0	480	3	48	1284.6	16.56	30 X 79.5	33	34 X 37
12G24N88B4S	1068.0	480	3	48	1284.6	18.65	30 X 89.5	33	34 X 37
6G48N78H4Y	1068.0	480	3	48	1284.6	28.98	52.5 X 79.5	16.5	56.5 X 20.5
6G48N88B4S	1068.0	480	3	48	1284.6	32.08	52.5 X 88	16.5	56.5 X 20.5
12G54N40H4Y	1080.0	480	3	54	1299.0	19.45	67.5 X 41.5	33	71.5 X 37
12G36N61B4S	1080.0	480	3	36	1299.0	19.53	45 X 62.5	33	49 X 37
12G54N43B4S	1080.0	480	3	54	1299.0	20.86	67.5 X 44.5	33	71.5 X 37
12G72N33B4S	1080.0	480	3	36	1299.0	21.56	90 X 34.5	33	94 X 37
8G54N61B4S	1080.0	480	3	18	1299.1	29.30	67.5 X 62.5	22	71.5 X 26
6G72N61B4S	1080.0	480	3	36	1299.0	39.06	90 X 62.5	16.5	94 X 20.5
12G48N52H4Y	1152.0	480	3	48	1385.6	19.51	52.5 X 53.5	33	56.5 X 37
12G72N33H4Y	1152.0	480	3	36	1385.6	21.56	90 X 34.5	33	94 X 37
8G72N52H4Y	1152.0	480	3	48	1385.7	33.44	90 X 53.5	22	94 X 26
12G24N88H4Y	1200.0	480	3	48	1443.4	18.65	30 X 89.5	33	34 X 37
12G48N52B4S	1200.0	480	3	48	1443.4	19.51	52.5 X 53.5	33	56.5 X 37
12G36N61H4Y	1200.0	480	3	36	1443.4	19.53	45 X 62.5	33	49 X 37
12G60N40H4Y	1200.0	480	3	30	1443.4	21.61	75 X 41.5	33	79 X 37
12G60N43B4S	1200.0	480	3	30	1443.4	23.18	75 X 44.5	33	79 X 37
8G36N88H4Y	1200.0	480	3	48	1443.4	27.97	45 X 89.5	22	49 X 26
8G54N61H4Y	1200.0	480	3	18	1443.4	29.30	67.5 X 62.5	22	71.5 X 26
8G60N61B4S	1200.0	480	3	40	1443.4	32.55	75 X 62.5	22	79 X 26
6G48N88H4Y	1200.0	480	3	48	1443.4	32.63	52.5 X 89.5	16.5	56.5 X 20.5
8G72N52B4S	1200.0	480	3	48	1443.4	33.44	90 X 53.5	22	94 X 26
6G54N78H4Y	1200.0	480	3	54	1443.4	37.27	67.5 X 79.5	16.5	71.5 X 20.5
6G72N61H4Y	1200.0	480	3	36	1443.4	39.06	90 X 62.5	16.5	94 X 20.5
6G54N88B4S	1200.0	480	3	54	1443.4	41.95	67.5 X 89.5	16.5	71.5 X 20.5
4G72N88H4Y	1200.0	480	3	48	1443.4	55.94	90 X 89.5	11	94 X 15
12G54N52H4Y	1296.0	480	3	54	1558.8	25.08	67.5 X 53.5	33	71.5 X 37
12G30N88B4S	1332.0	480	3	60	1602.1	23.31	37.5 X 89.5	33	41.5 X 37
6G60N78H4Y	1332.0	480	3	60	1602.1	41.41	75 X 79.5	16.5	79 X 20.5
6G60N88B4S	1332.0	480	3	60	1602.1	46.61	75 X 89.5	16.5	79 X 20.5
8G60N61H4Y	1336.0	480	3	40	1607.0	32.55	75 X 62.5	22	79 X 26
6G54N88H4Y	1350.0	480	3	54	1623.8	41.95	67.5 X 89.5	16.5	71.5 X 20.5
12G54N52B4S	1356.0	480	3	54	1631.0	25.08	67.5 X 53.5	33	71.5 X 37
8G48N78H4Y	1424.0	480	3	64	1712.9	28.98	52.5 X 79.5	22	56.5 X 26
8G48N88B4S	1424.0	480	3	64	1712.9	32.08	52.5 X 88	22	56.5 X 26
12G48N61B4S	1440.0	480	3	48	1732.1	22.79	52.5 X 62.5	33	56.5 X 37
12G72N40H4Y	1440.0	480	3	36	1732.1	25.94	90 X 41.5	33	94 X 37
12G72N43B4S	1440.0	480	3	36	1732.1	27.81	90 X 44.5	33	94 X 37
12G60N52H4Y	1440.0	480	3	60	1732.1	27.86	75 X 53.5	33	79 X 37
8G72N61B4S	1440.0	480	3	48	1732.1	39.06	90 X 62.5	22	94 X 26
12G60N52B4S	1500.0	480	3	40	1804.2	27.86	75 X 53.5	33	79 X 37
6G60N88H4Y	1500.0	480	3	60	1804.2	46.61	75 X 89.5	16.5	79 X 20.5

Hi-Temp Duct - Type G

800 kW - 5000 kW

Watt Density: 15

Gaumer Catalog Number	kW:	Volts:	Phase	Quantity Circuits	Total Amps	Face Area (Sq. Ft.)	Heater Duct Dim. Ht.x Lgth.(Inches)	Depth (Inches)	Heater Flange Ht.x Wdth.(Inches)
12G48N61H4Y	1596.0	480	3	48	1919.7	22.79	52.5 X 62.5	33	56.5 X 37
12G36N78H4Y	1596.0	480	3	72	1919.7	24.84	45 X 79.5	33	49 X 37
12G36N88B4S	1596.0	480	3	72	1919.7	27.97	45 X 89.5	33	49 X 37
6G72N78H4Y	1596.0	480	3	72	1919.7	49.69	90 X 79.5	16.5	94 X 20.5
6G72N88B4S	1596.0	480	3	72	1919.7	55.94	90 X 89.5	16.5	94 X 20.5
8G48N88H4Y	1600.0	480	3	64	1924.6	32.63	52.5 X 89.5	22	56.5 X 26
8G54N78H4Y	1600.0	480	3	18	1924.6	37.27	67.5 X 79.5	22	71.5 X 26
8G72N61H4Y	1600.0	480	3	48	1924.6	39.06	90 X 62.5	22	94 X 26
8G54N88B4S	1600.0	480	3	72	1924.6	41.95	67.5 X 89.5	22	71.5 X 26
12G54N61B4S	1620.0	480	3	54	1948.6	29.30	67.5 X 62.5	33	71.5 X 37
12G72N52H4Y	1728.0	480	3	72	2078.5	33.44	90 X 53.5	33	94 X 37
8G60N78H4Y	1776.0	480	3	80	2136.3	41.41	75 X 79.5	22	79 X 26
8G60N88B4S	1776.0	480	3	80	2136.3	46.61	75 X 89.5	22	79 X 26
12G36N88H4Y	1800.0	480	3	72	2165.1	27.97	45 X 89.5	33	49 X 37
12G54N61H4Y	1800.0	480	3	54	2165.1	29.30	67.5 X 62.5	33	71.5 X 37
12G60N61B4S	1800.0	480	3	60	2165.1	32.55	75 X 62.5	33	79 X 37
12G72N52B4S	1800.0	480	3	72	2165.1	33.44	90 X 53.5	33	94 X 37
8G54N88H4Y	1800.0	480	3	72	2165.1	41.95	67.5 X 89.5	22	71.5 X 26
6G72N88H4Y	1800.0	480	3	72	2165.1	55.94	90 X 89.5	16.5	94 X 20.5
8G60N88H4Y	2000.0	480	3	80	2405.7	46.61	75 X 89.5	22	79 X 26
12G60N61H4Y	2004.0	480	3	60	2410.4	32.55	75 X 62.5	33	79 X 37
8G72N78H4Y	2128.0	480	3	96	2559.7	49.69	90 X 79.5	22	94 X 26
8G72N88B4S	2128.0	480	3	96	2559.7	55.94	90 X 89.5	22	94 X 26
12G48N78H4Y	2136.0	480	3	96	2569.2	28.98	52.5 X 79.5	33	56.5 X 37
12G48N88B4S	2136.0	480	3	96	2569.2	32.63	52.5 X 89.5	33	56.5 X 37
12G72N61B4S	2160.0	480	3	72	2598.1	39.06	90 X 62.5	33	94 X 37
12G48N88H4Y	2400.0	480	3	96	2886.8	32.63	52.5 X 89.5	33	56.5 X 37
12G54N78H4Y	2400.0	480	3	108	2886.8	37.27	67.5 X 79.5	33	71.5 X 37
12G72N61H4Y	2400.0	480	3	72	2886.8	39.06	90 X 62.5	33	94 X 37
12G54N88B4S	2400.0	480	3	108	2886.8	41.95	67.5 X 89.5	33	71.5 X 37
8G72N88H4Y	2400.0	480	3	96	2886.8	55.94	90 X 89.5	22	94 X 26
12G60N78H4Y	2664.0	480	3	120	3204.3	41.41	75 X 79.5	33	79 X 37
12G60N88B4S	2664.0	480	3	120	3204.3	46.61	75 X 89.5	33	79 X 37
12G54N88H4Y	2700.0	480	3	108	3247.6	41.95	67.5 X 89.5	33	71.5 X 37
12G60N88H4Y	3000.0	480	3	120	3608.4	46.61	75 X 89.5	33	79 X 37
12G72N78H4Y	3192.0	480	3	144	3839.4	49.69	90 X 79.5	33	94 X 37
12G72N88B4S	3192.0	480	3	144	3839.4	55.94	90 X 89.5	33	94 X 37
12G72N88H4Y	3600.0	480	3	144	4330.1	55.94	90 X 89.5	33	94 X 37

Hi-Temp Duct - Type G

800 kW - 5000 kW

Watt Density: 12

Gaumer Catalog Number	kW:	Volts:	Phase	Quantity Circuits	Total Amps	Face Area (Sq. Ft.)	Heater Duct Dim. Ht.x Lgth.(Inches)	Depth (Inches)	Heater Flange Ht.x Wdth.(Inches)
8G48N61H4S	800.0	480	3	32	962.3	22.79	52.5 X 62.5	22	56.5 X 26
8G36N78H4S	800.0	480	3	24	962.3	24.84	45 X 79.5	22	49 X 26
4G72N78H4S	800.0	480	3	24	962.3	49.69	90 X 79.5	11	94 X 15
12G24N78H2S	804.0	240	3	48	1934.1	16.56	30 X 79.5	33	34 X 37
12G24N78H4S	804.0	480	3	24	967.1	16.56	30 X 79.5	33	34 X 37
12G48N52H4S	864.0	480	3	24	1039.2	19.51	52.5 X 53.5	33	56.5 X 37
8G72N52H4S	864.0	480	3	24	1039.3	33.44	90 X 53.5	22	94 X 26
8G36N88H4S	896.0	480	3	24	1077.8	27.97	45 X 89.5	22	49 X 26
12G24N88H4D	900.0	240	3	48	2165.1	18.65	30 X 89.5	33	34 X 37
12G24N88H4S	900.0	480	3	24	1082.5	18.65	30 X 89.5	33	34 X 37
12G36N61H4S	900.0	480	3	36	1082.5	19.53	45 X 62.5	33	49 X 37
6G48N88H4S	900.0	480	3	24	1082.5	32.63	52.5 X 89.5	16.5	56.5 X 20.5
6G54N78H4S	900.0	480	3	27	1082.5	37.27	67.5 X 79.5	16.5	71.5 X 20.5
6G72N61H4S	900.0	480	3	36	1082.5	39.06	90 X 62.5	16.5	94 X 20.5
4G72N88H4S	900.0	480	3	24	1082.6	55.94	90 X 89.5	11	94 X 15
8G54N61H4S	904.0	480	3	36	1087.4	29.30	67.5 X 62.5	22	71.5 X 26
12G54N52H4S	972.0	480	3	54	1169.1	25.08	67.5 X 53.5	33	71.5 X 37
8G60N61H4S	1000.0	480	3	10	1202.8	32.55	75 X 62.5	22	79 X 26
6G60N78H4S	1002.0	480	3	30	1205.2	41.41	75 X 79.5	16.5	79 X 20.5
6G54N88H4S	1014.0	480	3	27	1219.7	41.95	67.5 X 89.5	16.5	71.5 X 20.5
8G48N78H4S	1064.0	480	3	32	1279.8	28.98	52.5 X 79.5	22	56.5 X 26
12G60N52H4S	1080.0	480	3	40	1299.0	27.86	75 X 53.5	33	79 X 37
6G60N88H4S	1128.0	480	3	30	1356.8	46.61	75 X 89.5	16.5	79 X 20.5
12G48N61H4S	1200.0	480	3	48	1443.4	22.79	52.5 X 62.5	33	56.5 X 37
12G36N78H4S	1200.0	480	3	36	1443.4	24.84	45 X 79.5	33	49 X 37
8G48N88H4S	1200.0	480	3	32	1443.4	32.63	52.5 X 89.5	22	56.5 X 26
8G54N78H4S	1200.0	480	3	36	1443.4	37.27	67.5 X 79.5	22	71.5 X 26
8G72N61H4S	1200.0	480	3	48	1443.4	39.06	90 X 62.5	22	94 X 26
6G72N78H4S	1200.0	480	3	36	1443.4	49.69	90 X 79.5	16.5	94 X 20.5
12G72N52H4S	1296.0	480	3	36	1558.8	33.44	90 X 53.5	33	94 X 37
8G60N78H4S	1336.0	480	3	10	1607.0	41.41	75 X 79.5	22	79 X 26
12G36N88H4S	1344.0	480	3	36	1616.6	27.97	45 X 89.5	33	49 X 37
6G72N88H4S	1350.0	480	3	36	1623.8	55.94	90 X 89.5	16.5	94 X 20.5
8G54N88H4S	1352.0	480	3	36	1626.3	41.95	67.5 X 89.5	22	71.5 X 26
12G54N61H4S	1356.0	480	3	54	1631.0	29.30	67.5 X 62.5	33	71.5 X 37
12G60N61H4S	1500.0	480	3	40	1804.2	32.55	75 X 62.5	33	79 X 37
8G60N88H4S	1504.0	480	3	40	1809.1	46.61	75 X 89.5	22	79 X 26
12G48N78H4S	1596.0	480	3	48	1919.7	28.98	52.5 X 79.5	33	56.5 X 37
8G72N78H4S	1600.0	480	3	48	1924.6	49.69	90 X 79.5	22	94 X 26
12G48N88H4S	1800.0	480	3	48	2165.1	32.63	52.5 X 89.5	33	56.5 X 37
12G54N78H4S	1800.0	480	3	54	2165.1	37.27	67.5 X 79.5	33	71.5 X 37
12G72N61H4S	1800.0	480	3	72	2165.1	39.06	90 X 62.5	33	94 X 37
8G72N88H4S	1800.0	480	3	48	2165.1	55.94	90 X 89.5	22	94 X 26
12G60N78H4S	2004.0	480	3	60	2410.4	41.41	75 X 79.5	33	79 X 37
12G54N88H4S	2028.0	480	3	54	2439.3	41.95	67.5 X 89.5	33	71.5 X 37
12G60N88H4S	2256.0	480	3	60	2713.5	46.61	75 X 89.5	33	79 X 37
12G72N78H4S	2400.0	480	3	72	2886.8	49.69	90 X 79.5	33	94 X 37

Hi-Temp Duct - Type G

800 kW - 5000 kW

Watt Density: 12

Gaumer Catalog Number	kW:	Volts:	Phase	Quantity Circuits	Total Amps	Face Area (Sq. Ft.)	Heater Duct Dim. Ht.x Lgth.(Inches)	Depth (Inches)	Heater Flange Ht.x Wdth.(Inches)
12G72N88H4S	2700.0	480	3	72	3247.6	55.94	90 X 89.5	33	94 X 37

Hi-Temp Duct - Type G

800 kW - 5000 kW

Watt Density: 8

Gaumer Catalog Number	kW:	Volts:	Phase	Quantity Circuits	Total Amps	Face Area (Sq. Ft.)	Heater Duct Dim. Ht.x Lgth.(Inches)	Depth (Inches)	Heater Flange Ht.x Wdth.(Inches)
8G54N88M4Y	800.0	480	3	36	962.3	41.95	67.5 X 89.5	22	71.5 X 26
12G36N88M4Y	804.0	480	3	36	967.1	27.97	45 X 89.5	33	49 X 37
12G48N64M4Y	816.0	480	3	24	981.5	23.88	52.5 X 65.5	33	56.5 X 37
12G54N64M4Y	924.0	480	3	54	1111.4	30.70	67.5 X 65.5	33	71.5 X 37
12G48N77M4Y	960.0	480	3	24	1154.7	28.62	52.5 X 78.5	33	56.5 X 37
12G48N88M4Y	1080.0	480	3	48	1299.0	32.63	52.5 X 89.5	33	56.5 X 37
12G54N77M4Y	1080.0	480	3	54	1299.0	36.80	67.5 X 78.5	33	71.5 X 37
12G54N88M4Y	1200.0	480	3	54	1443.4	41.95	67.5 X 89.5	33	71.5 X 37

Hi-Temp Duct - Type G

800 kW - 5000 kW

Watt Density: 6

Gaumer Catalog Number	kW:	Volts:	Phase	Quantity Circuits	Total Amps	Face Area (Sq. Ft.)	Heater Duct Dim. Ht.x Lgth.(Inches)	Depth (Inches)	Heater Flange Ht.x Wdth.(Inches)
12G48N88M4S	804.0	480	3	24	967.1	32.63	52.5 X 89.5	33	56.5 X 37
8G72N88M4S	808.0	480	3	24	971.9	55.94	90 X 89.5	22	94 X 26
12G60N77M2S	900.0	240	3	60	2165.1	40.89	75 X 78.5	33	79 X 37
12G60N77M4S	900.0	480	3	60	1082.5	40.89	75 X 78.5	33	79 X 37
12G72N64M2S	924.0	480	3	36	1111.4	40.00	90 X 64	33	94 X 37
12G72N64M4S	924.0	480	3	36	1111.4	40.94	90 X 65.5	33	94 X 37
12G60N88M4S	1008.0	480	3	30	1212.4	46.61	75 X 89.5	33	79 X 37
12G72N77M2S	1080.0	480	3	36	1299.0	48.13	90 X 77	33	94 X 37
12G72N77M4S	1080.0	480	3	36	1299.0	49.06	90 X 78.5	33	94 X 37
12G72N88M4S	1212.0	480	3	36	1457.8	55.94	90 X 89.5	33	94 X 37

Hi-Temp Duct - Type G

800 kW - 5000 kW

Watt Density: 4

Gaumer Catalog Number	kW:	Volts:	Phase	Quantity Circuits	Total Amps	Face Area (Sq. Ft.)	Heater Duct Dim. Ht.x Lgth.(Inches)	Depth (Inches)	Heater Flange Ht.x Wdth.(Inches)
12G72N78H4SY	804.0	480	3	36	967.1	49.69	90 X 79.5	33	94 X 37
12G72N88H4SY	900.0	480	3	36	1082.5	55.94	90 X 89.5	33	94 X 37

Circulation Heaters - Type IC

APPLICATIONS

90, 60, and 45 Watts Per Square Inch

- Industrial water heating - many aqueous solutions which are compatible with steel and Incoloy.

23 and 20 Watts Per Square Inch

- For heat transfer oil, cleaners, high temperature air and gas heating.

15 and 12 Watts Per Square Inch

- For lubricating oils, medium viscosity oils, high temperature air and gas heating.

8 and 6 Watts Per Square Inch

- For #5 and #6 fuel oil heating, viscous materials, raw crude oil, residual oils, high temperature air and gas heating.

4 and 2 Watts Per Square Inch

- For asphalt and other hard-to-heat materials, extra high temperature air and gas.

SPECIAL FEATURES

- Explosion Resistant Terminal Enclosure
- Moisture Resistant Terminal Enclosure
- Sheath Sensing Type K (J) Thermocouple attached to one element for overheat protection.
- Offset (Spaced Away) Terminal Housing
- Space Heater Mounted in Term. Encl.
- 2" Calcium Silicate Insulation with Alum. Jacket
- 2" Calcium Silicate Insulation with SS Jacket
- Insulation Jacket - Weatherproof Const.
- Custom Insulation Jacket
- 300#, 600#, 900#, etc. Construction
- Stainless Steel Construction - Type 304, 316
- ASME Coded and Stamped Chamber
- Thermowell/TC (Type J/K) mtd. in Outlet

OTHER CAPABILITIES

- Double Ended PBodies to 38 ft. Available
- Multiple Chamber Units Available
- Designs Available to 3000 psig and 1200°F.
- Special Material Assemblies are Available
- Special Coatings and Finishes are Available



STANDARD FEATURES

Pipebody Chamber

- All Welded Construction
- 100% Hydrostatic Tested
- Sizes to 24 in. Diam. Available as Standard
- Over 200 Nozzle Arrangements are Standard
- Both Vertical and Horizontal Models Standard
- Either Mtg Brackets or Saddles are Standard
- Drain Plugs Where Applicable are Standard
- Large Selection of Standard Inlet and Outlet Sizes
- Chamber Connection Type and Size other than that detailed on Catalog Page

Heating Elements

- Incoloy 800 Sheath Material, Sealed Terminal
- Heavy Wall (.035 in.), Large diameter (.475 in.)

Spacers

- Rugged Design, High Temp Alloy Material
- "Evenflow" Configuration Standard

Construction

- Welded Heating Elements
- Welded Terminal Housings and Spacers

Installation

- Flying Leadwires Provided
- Only Standard Materials Needed in Field

Service

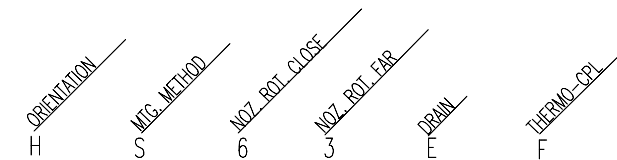
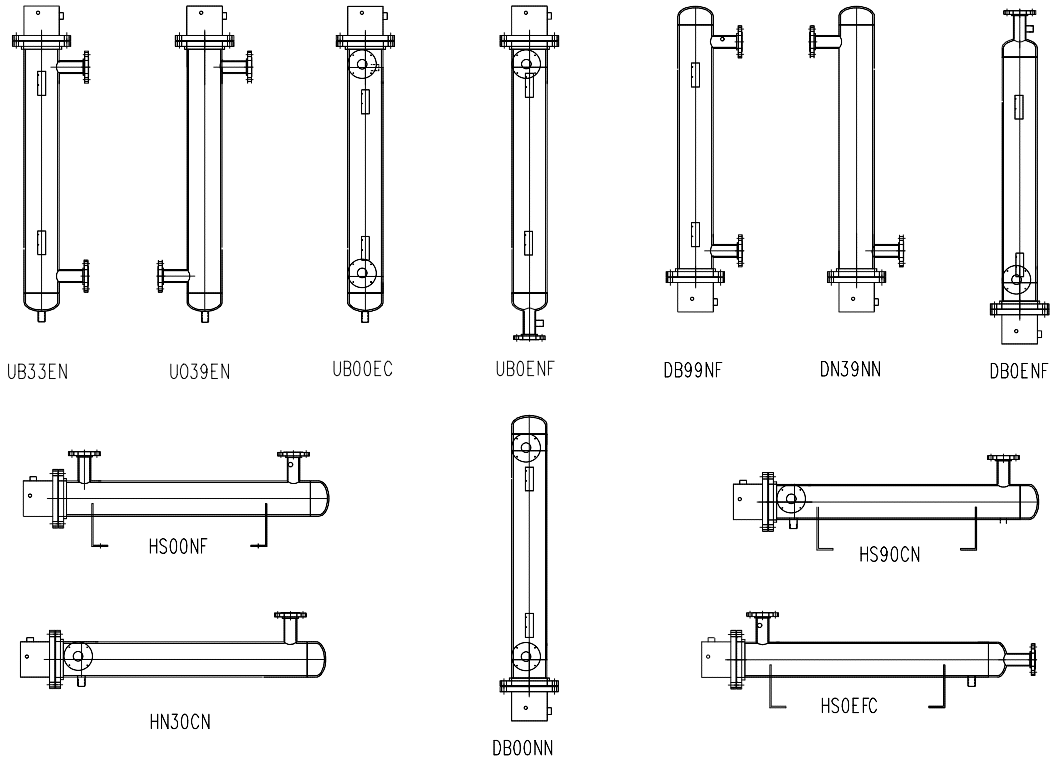
- Wiring Modifiable in Field
- Assembly Repairable at Factory

Circulation Heaters

Type IC

Gaumer Drawing No. IC-100 (Arrangement Option Detail)

HEATER COMPONENT LOCATION CODE



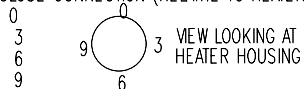
1) HEATER ORIENTATION

- H--HORIZONTAL
- U--UP (RELATIVE TO HEATER FLANGE)
- D--DOWN (RELATIVE TO HEATER FLANGE)

2) MOUNTING METHOD (ALWAYS AT THE 6 POSITION)

- S--SADDLES
- B--MOUNTING BLOCKS
- N--NONE

3) CLOSE CONNECTION (RELATIVE TO HEATER FLANGE)



4) FAR CONNECTION (SAME AS CLOSE CONNECTION)

- 0
- 3
- 6
- 9
- E--END

5) DRAIN

- C--CLOSE
- F--FAR
- E--END
- N--NONE

6) THERMOCOUPLE

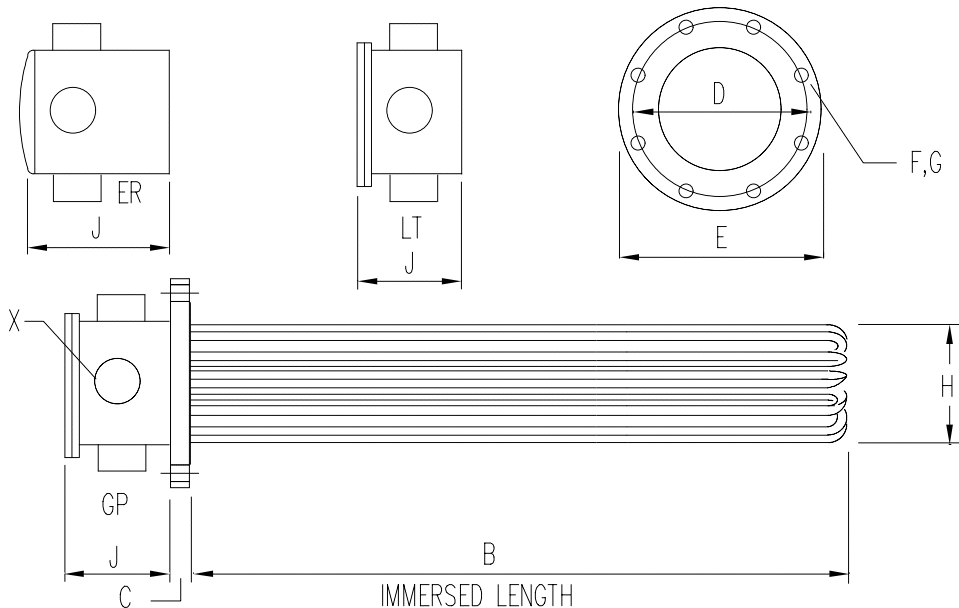
- C--CLOSE
- F--FAR
- N--NONE

Circulation Heaters

Type IC

Gaumer Drawing No. IF-200 (Dimension Flange Heater Detail)

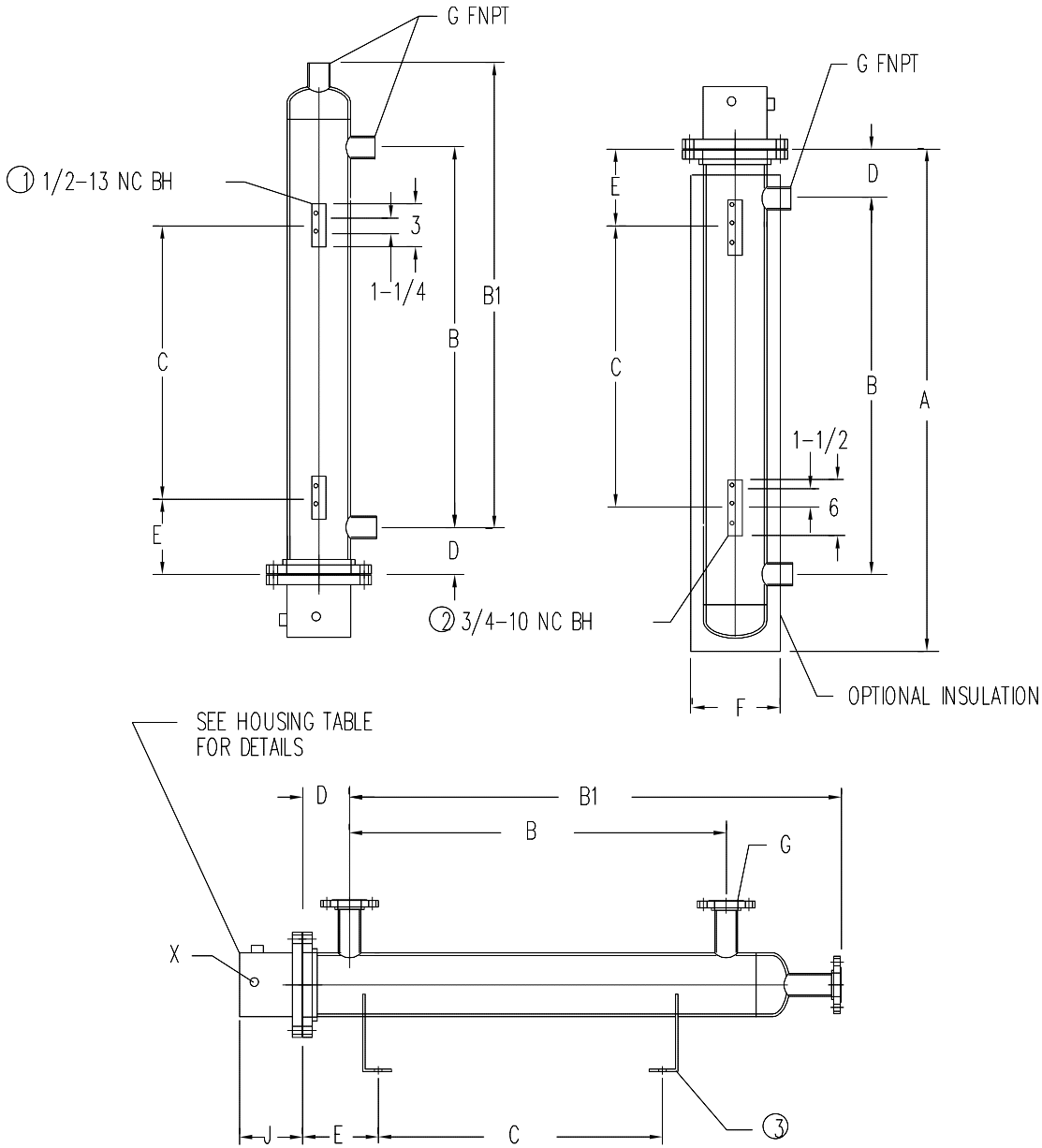
Flange Size (in)	Pressur Class (lb.)	Flange Dimensions (inches)			Hole Size F	No. of Holes G	Min. Hole Diam. H	Housing Height (inches)			X - No and Size Conduit Connection		
		C Thick	D Diam:	E Diam:				J GP:	J ER:	J LT:	GP:	ER:	LT:
2-1/2	150	7/8	5-1/2	7	3/4	4	2-1/4	2-5/8	5-1/2	2-5/8	1@1	2@1-1/4	1@1
2-1/2	300	1	5-7/8	7-1/2	7/8	8	2-1/4	2-5/8	5-1/2	2-5/8	1@1	2@1-1/4	1@1
3	150	0-15/16	6	7-1/2	3/4	4	2-3/4	2-5/8	5-1/2	2-5/8	1@1	2@1-1/4	1@1
3	300	1-1/8	6-5/8	8-1/4	7/8	8	2-3/4	2-5/8	5-1/2	2-5/8	1@1	2@1-1/4	1@1
4	150	0-15/16	7-1/2	9	3/4	8	3-13/16	5-1/2	6-1/2	5-1/2	4@1-1/2	2@1-1/2	4@1-1/2
4	300	1-1/4	7-7/8	10	7/8	8	3-13/16	5-1/2	6-1/2	5-1/2	4@1-1/2	2@1-1/2	4@1-1/2
5	150	0-15/16	8-1/2	10	7/8	8	4-13/16	5-1/2	6-1/2	5-1/2	4@1-1/2	2@1-1/2	4@1-1/2
5	300	1-3/8	9-1/4	11	7/8	8	4-13/16	5-1/2	6-1/2	5-1/2	4@1-1/2	2@1-1/2	4@1-1/2
6	150	1	9-1/2	11	7/8	8	5-3/4	5-1/2	8	5-1/2	4@1-1/2	4@1-1/2	4@1-1/2
6	300	1-7/16	10-5/8	12-1/2	7/8	12	5-3/4	5-1/2	8	5-1/2	4@1-1/2	4@1-1/2	4@1-1/2
8	150	1-1/8	11-3/4	13-1/2	7/8	8	7-13/16	5-1/2	9	5-1/2	4@1-1/2	4@1-1/2	4@1-1/2
8	300	1-5/8	13	15	1	12	7-13/16	5-1/2	9	5-1/2	4@1-1/2	4@1-1/2	4@1-1/2
10	150	1-3/16	14-1/4	16	1	12	9-5/8	7	11	7	4@2	4@2	4@2
10	300	1-7/8	15-1/4	17-1/2	1-1/8	16	9-5/8	7	11	7	4@2	4@2	4@2
12	150	1-1/4	17	19	1	12	11-5/8	7	11	7	4@2	4@2	4@2
12	300	2	17-3/4	20-1/2	1-1/4	16	11-5/8	7	11	7	4@2	4@2	4@2
14	150	1-3/8	18-3/4	21	1-1/8	12	12-1/2	7	11	7	4@2	4@2	4@2
14	300	2-1/8	20-1/4	23	1-1/4	20	12-1/2	7	11	7	4@2	4@2	4@2
16	150	1-7/16	21-1/4	23-1/2	1-1/8	16	14-1/2	9	13	9	4@2	4@2	4@2
16	300	2-1/4	22-1/2	25-1/2	1-3/8	20	14-1/2	9	13	9	4@2	4@2	4@2
18	150	1-9/16	22-3/4	25	1-1/4	16	16-3/8	9	13	9	4@2	4@2	4@2
18	300	2-3/8	24-3/4	28	1-3/8	24	16-3/8	9	13	9	4@2	4@2	4@2
20	150	1-11/16	25	27-1/2	1-1/4	20	18-5/16	9	13	9	4@2	4@2	4@2
20	300	2-1/2	27	30-1/2	1-3/8	24	18-5/16	9	13	9	4@2	4@2	4@2
24	150	1-7/8	29-1/2	32	1-3/8	20	22-1/8	11	15	11	6@2	6@2	6@2
24	300	2-3/4	32	36	1-5/8	24	22-1/8	11	15	11	6@2	6@2	6@2



Circulation Heaters

Type IC

Gaumer Drawing No. IC-300 (Dimension Option Detail)



- ① FOR SIZES 3" THUR 6"
- ② FOR SIZES 8" THRU 14"
- ③ SADDLES OPTIONAL

Circulation Heaters

Type IC

Watt Density: 90

Diameter (in.): 2.5

Watt Density (w/sq.in.): 90

GCI Circulation Heater Drawing No. IC-300 Dimensions (Inches) A, B, B1, C, D, E, F, G						D = 3 E = N/A		Nozzles Option 1		Nozzles Option 2		Nozzles Option 3		Nozzles Option 4	
Catalog Number	kW	Volt	A	B	C	F	B1	G1(in.)	B1	G2(in.)	B1	G3(in)	B1	G4(in)	
C2F3N13M2U	9	480	19	N/A	N/A	5-1/2	15	1 FNPT	17	2 FNPT	19	1 150#	20	2 150#	
C2F3N18M2U	12	480	23	N/A	N/A	5-1/2	19	1 FNPT	21	2 FNPT	23	1 150#	24	2 150#	
C2F3N20M2U	15	480	26	N/A	N/A	5-1/2	22	1 FNPT	24	2 FNPT	26	1 150#	27	2 150#	
C2F3N25M2U	18	480	31	N/A	N/A	5-1/2	27	1 FNPT	29	2 FNPT	31	1 150#	32	2 150#	
C2F3N33M2U	24	480	38	N/A	N/A	5-1/2	35	1 FNPT	37	2 FNPT	38	1 150#	40	2 150#	
C2F3N40M2U	30	480	46	N/A	N/A	5-1/2	42	1 FNPT	44	2 FNPT	46	1 150#	47	2 150#	
C2F3N48M2U	36	480	53	N/A	N/A	5-1/2	50	1 FNPT	52	2 FNPT	54	1 150#	55	2 150#	
C2F3N52M2U	40	480	58	N/A	N/A	5-1/2	54	1 FNPT	55	2 FNPT	57	1 150#	58	2 150#	
C2F3N64M2U	50	480	70	N/A	N/A	5-1/2	66	1 FNPT	68	2 FNPT	70	1 150#	71	2 150#	
C2F3N77M2U	60	480	82	N/A	N/A	5-1/2	79	1 FNPT	81	2 FNPT	83	1 150#	84	2 150#	

Diameter (in.): 3

Watt Density (w/sq.in.): 90

GCI Circulation Heater Drawing No. IC-300 Dimensions (Inches) A, B, B1, C, D, E, F, G						D = 4 E = 6		Nozzles Option 1		Nozzles Option 2		Nozzles Option 3		Nozzles Option 4	
Catalog Number	kW	Volt	A	B	C	F	B1	G1(in.)	B1	G2(in.)	B1	G3(in)	B1	G4(in)	
C3F3N18M2U	12	480	24-1/2	14	9	6-1/2	21	1 FNPT	23	2 FNPT	25	1 150#	26	3 150#	
C3F3N20M2U	15	480	26-1/2	16	11	6-1/2	23	1 FNPT	25	2 FNPT	27	1 150#	28	3 150#	
C3F3N25M2U	18	480	31-1/2	21	16	6-1/2	28	1 FNPT	30	2 FNPT	32	1 150#	33	3 150#	
C3F3N33M2U	24	480	39-1/2	29	24	6-1/2	36	1 FNPT	38	2 FNPT	40	1 150#	41	3 150#	
C3F3N40M2U	30	480	46-1/2	36	31	6-1/2	43	1 FNPT	45	2 FNPT	47	1 150#	48	3 150#	
C3F3N48M2U	36	480	54-1/2	44	39	6-1/2	51	1 FNPT	53	2 FNPT	55	1 150#	56	3 150#	
C3F3N52M2U	40	480	58-1/2	48	43	6-1/2	55	1 FNPT	57	2 FNPT	59	1 150#	60	3 150#	
C3F3N64M2U	50	480	70-1/2	60	55	6-1/2	67	1 FNPT	69	2 FNPT	71	1 150#	72	3 150#	
C3F3N77M2U	60	480	84-1/2	73	68	6-1/2	80	1 FNPT	82	2 FNPT	84	1 150#	85	3 150#	

Diameter (in.): 4

Watt Density (w/sq.in.): 90

GCI Circulation Heater Drawing No. IC-300 Dimensions (Inches) A, B, B1, C, D, E, F, G						D = 4 E = 6		Nozzles Option 1		Nozzles Option 2		Nozzles Option 3		Nozzles Option 4	
Catalog Number	kW	Volt	A	B	C	F	B1	G1(in.)	B1	G2(in.)	B1	G3(in)	B1	G4(in)	
C4F6N18M2U	24	480	25	14	9	7-1/2	21	1 FNPT	23	2 FNPT	25	1 150#	26	3 150#	
C4F6N20M2U	30	480	27	16	11	7-1/2	23	1 FNPT	25	2 FNPT	27	1 150#	28	3 150#	
C4F6N25M2U	36	480	32	21	16	7-1/2	28	1 FNPT	30	2 FNPT	32	1 150#	33	3 150#	
C4F6N33M2U	48	480	32	29	24	7-1/2	36	1 FNPT	38	2 FNPT	40	1 150#	41	3 150#	
C4F6N40M2U	60	480	47	36	31	7-1/2	43	1 FNPT	45	2 FNPT	47	1 150#	48	3 150#	
C4F6N48M2U	72	480	55	44	39	7-1/2	51	1 FNPT	53	2 FNPT	55	1 150#	56	3 150#	
C4F6N52M2U	80	480	55	48	43	7-1/2	55	1 FNPT	57	2 FNPT	59	1 150#	60	3 150#	
C4F6N64M2U	100	480	71	60	55	7-1/2	67	1 FNPT	69	2 FNPT	71	1 150#	72	3 150#	
C4F6N77M2U	120	480	85	74	68	7-1/2	80	1 FNPT	82	2 FNPT	84	1 150#	85	3 150#	

Circulation Heaters

Type IC

Diameter (in.): 5

Watt Density (w/sq.in.): 90

GCI Circulation Heater Drawing No. IC-300 Dimensions (Inches) A, B, B1, C, D, E, F, G							D = 4-1/2 E = 8		Nozzles Option 1		Nozzles Option 2		Nozzles Option 3		Nozzles Option 4	
Catalog Number	kW	Volt	A	B	C	F	B1	G1(in.)	B1	G2(in.)	B1	G3(in)	B1	G4(in)		
C5F6N18M2U	24	480	25-3/4	13-1/2	9	8-1/2	21	2 FNPT	23	2-1/2 FNPT	25	2 150#	26	3 150#		
C5F6N20M2U	30	480	27-3/4	15-1/2	11	8-1/2	23	2 FNPT	25	2-1/2 FNPT	27	2 150#	28	3 150#		
C5F6N25M2U	36	480	32-3/4	20-1/2	16	8-1/2	28	2 FNPT	30	2-1/2 FNPT	32	2 150#	33	3 150#		
C5F6N33M2U	48	480	40-3/4	28-1/2	24	8-1/2	36	2 FNPT	38	2-1/2 FNPT	40	2 150#	41	3 150#		
C5F6N40M2U	60	480	47-3/4	35-1/2	31	8-1/2	43	2 FNPT	45	2-1/2 FNPT	47	2 150#	48	3 150#		
C5F6N48M2U	72	480	55-3/4	43-1/2	39	8-1/2	51	2 FNPT	53	2-1/2 FNPT	55	2 150#	56	3 150#		
C5F6N52M2U	80	480	59-3/4	47-1/2	43	8-1/2	55	2 FNPT	57	2-1/2 FNPT	59	2 150#	60	3 150#		
C5F6N64M2U	100	480	71-3/4	59-1/2	55	8-1/2	67	2 FNPT	69	2-1/2 FNPT	71	2 150#	72	3 150#		
C5F6N77M2U	120	480	85-3/4	73-1/2	68	8-1/2	80	2 FNPT	82	2-1/2 FNPT	84	2 150#	85	3 150#		
C5F9N18M2U	36	480	25-3/4	13-1/2	9	8-1/2	21	2 FNPT	23	2-1/2 FNPT	25	2 150#	26	3 150#		
C5F9N20M2U	45	480	27-3/4	15-1/2	11	8-1/2	23	2 FNPT	25	2-1/2 FNPT	27	2 150#	28	3 150#		
C5F9N25M2U	54	480	32-3/4	20-1/2	16	8-1/2	28	2 FNPT	30	2-1/2 FNPT	32	2 150#	33	3 150#		
C5F9N33M2U	72	480	40-3/4	28-1/2	24	8-1/2	36	2 FNPT	38	2-1/2 FNPT	40	2 150#	41	3 150#		
C5F9N40M2U	90	480	47-3/4	35-1/2	31	8-1/2	43	2 FNPT	45	2-1/2 FNPT	47	2 150#	48	3 150#		
C5F9N48M2U	108	480	55-3/4	43-1/2	39	8-1/2	51	2 FNPT	53	2-1/2 FNPT	55	2 150#	56	3 150#		
C5F9N52M2U	120	480	59-3/4	47-1/2	43	8-1/2	55	2 FNPT	57	2-1/2 FNPT	59	2 150#	60	3 150#		
C5F9N64M2U	150	480	71-3/4	59-1/2	55	8-1/2	67	2 FNPT	69	2-1/2 FNPT	71	2 150#	72	3 150#		
C5F9N77M2U	180	480	85-3/4	73-1/2	68	8-1/2	80	2 FNPT	82	2-1/2 FNPT	84	2 150#	85	3 150#		

Diameter (in.): 6

Watt Density (w/sq.in.): 90

GCI Circulation Heater Drawing No. IC-300 Dimensions (Inches) A, B, B1, C, D, E, F, G							D = 4-1/2 E = 8		Nozzles Option 1		Nozzles Option 2		Nozzles Option 3		Nozzles Option 4	
Catalog Number	kW	Volt	A	B	C	F	B1	G1(in.)	B1	G2(in.)	B1	G3(in)	B1	G4(in)		
C6F12N18M2U	48	480	26-1/4	13-1/2	9	8-1/2	21	2 FNPT	23	2-1/2 FNPT	25	2 150#	26	3 150#		
C6F12N20M2U	60	480	28-1/4	20-1/2	11	8-1/2	23	2 FNPT	25	2-1/2 FNPT	27	2 150#	28	3 150#		
C6F12N25M2U	72	480	33-1/4	20-1/2	16	8-1/2	28	2 FNPT	30	2-1/2 FNPT	32	2 150#	33	3 150#		
C6F12N33M2U	96	480	41-1/4	28-1/2	24	8-1/2	36	2 FNPT	38	2-1/2 FNPT	40	2 150#	41	3 150#		
C6F12N40M2U	120	480	48-1/4	35-1/2	31	8-1/2	43	2 FNPT	45	2-1/2 FNPT	47	2 150#	48	3 150#		
C6F12N48M2U	144	480	55-1/4	43-1/2	39	9-5/8	51	2 FNPT	53	2-1/2 FNPT	55	2 150#	56	3 150#		
C6F12N52M2U	160	480	60-1/4	47-1/2	43	9-5/8	55	2 FNPT	57	2-1/2 FNPT	59	2 150#	60	3 150#		
C6F12N64M2U	200	480	72-1/4	59-1/2	55	9-5/8	67	2 FNPT	69	2-1/2 FNPT	71	2 150#	72	3 150#		
C6F12N77M2U	240	480	86-1/4	73-1/2	68	9-5/8	80	2 FNPT	82	2-1/2 FNPT	84	2 150#	85	3 150#		
C6F15N18M2U	60	480	26-1/4	13-1/2	9	8-1/2	21	2 FNPT	23	2-1/2 FNPT	25	2 150#	26	3 150#		
C6F15N20M2U	75	480	28-1/4	15-1/2	11	8-1/2	23	2 FNPT	25	2-1/2 FNPT	27	2 150#	28	3 150#		
C6F15N25M2U	90	480	33-1/4	20-1/2	16	8-1/2	28	2 FNPT	30	2-1/2 FNPT	32	2 150#	33	3 150#		
C6F15N33M2U	120	480	41-1/4	28-1/2	24	8-1/2	36	2 FNPT	38	2-1/2 FNPT	40	2 150#	41	3 150#		
C6F15N40M2U	150	480	48-1/4	35-1/2	31	8-1/2	43	2 FNPT	45	2-1/2 FNPT	47	2 150#	48	3 150#		
C6F15N48M2U	180	480	55-1/4	43-1/2	39	9-5/8	51	2 FNPT	53	2-1/2 FNPT	55	2 150#	56	3 150#		
C6F15N52M2U	200	480	60-1/4	47-1/2	43	9-5/8	55	2 FNPT	57	2-1/2 FNPT	59	2 150#	60	3 150#		
C6F15N64M2U	250	480	72-1/4	59-1/2	55	9-5/8	67	2 FNPT	69	2-1/2 FNPT	71	2 150#	72	3 150#		
C6F15N77M2U	300	480	86-1/4	73-1/2	68	9-5/8	80	2 FNPT	82	2-1/2 FNPT	84	2 150#	85	3 150#		

Circulation Heaters

Type IC

Diameter (in.): 8

Watt Density (w/sq.in.): 90

GCI Circulation Heater Drawing No. IC-300 Dimensions (Inches) A, B, B1, C, D, E, F, G					D = 4-1/2		Nozzles Option 1		Nozzles Option 2		Nozzles Option 3		Nozzles Option 4	
					E = 8-1/2									
Catalog Number	kW	Volt	A	B	C	F	B1	G1(in.)	B1	G2(in.)	B1	G3(in)	B1	G4(in)
C8F18N18M2U	72	480	26-3/4	13-1/2	9	11-5/8	21	2 FNPT	23	2-1/2 FNPT	25	2 150#	26	3 150#
C8F18N20M2U	90	480	28-3/4	15-1/2	11	11-5/8	23	2 FNPT	25	2-1/2 FNPT	27	2 150#	28	3 150#
C8F18N25M2U	108	480	33-3/4	20-1/2	16	11-5/8	28	2 FNPT	30	2-1/2 FNPT	32	2 150#	33	3 150#
C8F18N33M2U	144	480	41-3/4	28-1/2	24	11-5/8	36	2 FNPT	38	2-1/2 FNPT	40	2 150#	41	3 150#
C8F18N40M2U	180	480	48-3/4	35-1/2	31	11-5/8	43	2 FNPT	45	2-1/2 FNPT	47	2 150#	48	3 150#
C8F18N48M2U	216	480	56-3/4	43-1/2	39	11-5/8	51	2 FNPT	53	2-1/2 FNPT	55	2 150#	56	3 150#
C8F18N52M2U	240	480	61-1/4	47	43	11-5/8	55	2 FNPT	57	2-1/2 FNPT	59	2 150#	60	3 150#
C8F18N64M2U	306	480	73-1/4	59	55	11-5/8	67	2 FNPT	69	2-1/2 FNPT	71	2 150#	72	3 150#
C8F18N77M2U	360	480	87-1/4	73	68	11-5/8	80	2 FNPT	82	2-1/2 FNPT	84	2 150#	85	3 150#
C8F24N18M2U	96	480	26-3/4	13-1/2	9	11-5/8	21	2 FNPT	23	2-1/2 FNPT	25	2 150#	26	3 150#
C8F24N20M2U	120	480	28-3/4	15-1/2	11	11-5/8	23	2 FNPT	25	2-1/2 FNPT	27	2 150#	28	3 150#
C8F24N25M2U	144	480	33-3/4	20-1/2	16	11-5/8	28	2 FNPT	30	2-1/2 FNPT	32	2 150#	33	3 150#
C8F24N33M2U	192	480	41-3/4	28-1/2	24	11-5/8	36	2 FNPT	38	2-1/2 FNPT	40	2 150#	41	3 150#
C8F24N40M2U	240	480	48-3/4	35-1/2	31	11-5/8	43	2 FNPT	45	2-1/2 FNPT	47	2 150#	48	3 150#
C8F24N48M2U	288	480	56-3/4	43-1/2	39	11-5/8	51	2 FNPT	53	2-1/2 FNPT	55	2 150#	56	3 150#
C8F24N52M2U	320	480	61-1/4	47	43	11-5/8	55	2 FNPT	57	2-1/2 FNPT	59	2 150#	60	3 150#
C8F24N64M2U	408	480	73-1/4	59	55	11-5/8	67	2 FNPT	69	2-1/2 FNPT	71	2 150#	72	3 150#
C8F24N77M2U	480	480	87-1/4	73	68	11-5/8	80	2 FNPT	82	2-1/2 FNPT	84	2 150#	85	3 150#

Circulation Heaters

Type IC

Watt Density: 60

Diameter (in.): 2.5

Watt Density (w/sq.in.): 60

GCI Circulation Heater Drawing No. IC-300 Dimensions (Inches) A, B, B1, C, D, E, F, G						D = 3 E = N/A		Nozzles Option 1		Nozzles Option 2		Nozzles Option 3		Nozzles Option 4	
Catalog Number	kW	Volt	A	B	C	F	B1	G1(in.)	B1	G2(in.)	B1	G3(in)	B1	G4(in)	
C2F3N18B2	8	240	23	N/A	N/A	5-1/2	19	1 FNPT	21	2 FNPT	23	1 150#	24	2 150#	
C2F3N18B4	8	480	23	N/A	N/A	5-1/2	19	1 FNPT	21	2 FNPT	23	1 150#	24	2 150#	
C2F3N20B2	9	240	26	N/A	N/A	5-1/2	22	1 FNPT	24	2 FNPT	26	1 150#	27	2 150#	
C2F3N20B4	9	480	26	N/A	N/A	5-1/2	22	1 FNPT	24	2 FNPT	26	1 150#	27	2 150#	
C2F3N25B2	12	240	31	N/A	N/A	5-1/2	27	1 FNPT	29	2 FNPT	31	1 150#	32	2 150#	
C2F3N25B4	12	480	31	N/A	N/A	5-1/2	27	1 FNPT	29	2 FNPT	31	1 150#	32	2 150#	
C2F3N33B2	15	240	38	N/A	N/A	5-1/2	34	1 FNPT	36	2 FNPT	38	1 150#	39	2 150#	
C2F3N33B4	15	480	38	N/A	N/A	5-1/2	35	1 FNPT	37	2 FNPT	39	1 150#	40	2 150#	
C2F3N43B2	20	240	46	N/A	N/A	5-1/2	42	1 FNPT	44	2 FNPT	46	1 150#	47	2 150#	
C2F3N43B4	20	480	46	N/A	N/A	5-1/2	42	1 FNPT	44	2 FNPT	46	1 150#	47	2 150#	
C2F3N52B2	25	240	58	N/A	N/A	5-1/2	54	1 FNPT	56	2 FNPT	58	1 150#	59	2 150#	
C2F3N52B4	25	480	58	N/A	N/A	5-1/2	54	1 FNPT	56	2 FNPT	58	1 150#	59	2 150#	
C2F3N61B2	30	240	67	N/A	N/A	5-1/2	63	1 FNPT	65	2 FNPT	67	1 150#	67	2 150#	
C2F3N61B4	30	480	67	N/A	N/A	5-1/2	63	1 FNPT	65	2 FNPT	67	1 150#	68	2 150#	
C2F3N88B4	44	480	94	N/A	N/A	5-1/2	90	1 FNPT	92	2 FNPT	94	1 150#	95	2 150#	
C2F3N106B4	50	480	112	N/A	N/A	5-1/2	108	1 FNPT	110	2 FNPT	112	1 150#	113	2 150#	
C2F3N120B4	57	480	126	N/A	N/A	5-1/2	122	1 FNPT	124	2 FNPT	126	1 150#	127	2 150#	

Diameter (in.): 3

Watt Density (w/sq.in.): 60

GCI Circulation Heater Drawing No. IC-300 Dimensions (Inches) A, B, B1, C, D, E, F, G						D = 4 E = 6		Nozzles Option 1		Nozzles Option 2		Nozzles Option 3		Nozzles Option 4	
Catalog Number	kW	Volt	A	B	C	F	B1	G1(in.)	B1	G2(in.)	B1	G3(in)	B1	G4(in)	
C3F3N18B2	8	240	24-1/2	N/A	9	6-1/2	21	1 FNPT	23	2 FNPT	25	1 150#	26	3 150#	
C3F3N18B4	8	480	24-1/2	N/A	9	6-1/2	21	1 FNPT	23	2 FNPT	25	1 150#	26	3 150#	
C3F3N20B2	10	240	26-1/2	N/A	11	6-1/2	23	1 FNPT	25	2 FNPT	27	1 150#	28	3 150#	
C3F3N20B4	10	480	26-1/2	N/A	11	6-1/2	23	1 FNPT	25	2 FNPT	27	1 150#	28	3 150#	
C3F3N25B2	12	240	31-1/2	N/A	16	6-1/2	28	1 FNPT	30	2 FNPT	32	1 150#	33	3 150#	
C3F3N25B4	12	480	31-1/2	N/A	16	6-1/2	28	1 FNPT	30	2 FNPT	32	1 150#	33	3 150#	
C3F3N33B2	15	240	39-1/2	N/A	24	6-1/2	36	1 FNPT	38	2 FNPT	40	1 150#	41	3 150#	
C3F3N33B4	15	480	39-1/2	N/A	24	6-1/2	36	1 FNPT	38	2 FNPT	40	1 150#	41	3 150#	
C3F3N43B2	20	240	49-1/2	N/A	34	6-1/2	46	1 FNPT	48	2 FNPT	50	1 150#	51	3 150#	
C3F3N43B4	20	480	49-1/2	N/A	34	6-1/2	46	1 FNPT	48	2 FNPT	50	1 150#	51	3 150#	
C3F3N52B2	25	240	54-1/2	N/A	39	6-1/2	55	1 FNPT	57	2 FNPT	59	1 150#	60	3 150#	
C3F3N52B4	25	480	54-1/2	N/A	39	6-1/2	55	1 FNPT	57	2 FNPT	59	1 150#	60	3 150#	
C3F3N61B2	30	240	67-1/2	N/A	52	6-1/2	64	1 FNPT	66	2 FNPT	68	1 150#	69	3 150#	
C3F3N61B4	30	480	67-1/2	N/A	52	6-1/2	64	1 FNPT	66	2 FNPT	68	1 150#	69	3 150#	
C3F3N88B4	44	480	94-1/2	N/A	79	6-1/2	91	1 FNPT	93	2 FNPT	95	1 150#	96	3 150#	
C3F3N106B4	50	480	112-1/2	N/A	97	6-1/2	109	1 FNPT	111	2 FNPT	113	1 150#	114	3 150#	
C3F3N120B4	57	480	126-1/2	N/A	111	6-1/2	123	1 FNPT	125	2 FNPT	127	1 150#	128	3 150#	

Circulation Heaters

Type IC

Diameter (in.): 4

Watt Density (w/sq.in.): 60

GCI Circulation Heater Drawing No. IC-300 Dimensions (Inches) A, B, B1, C, D, E, F, G							D = 4 E = 6		Nozzles Option 1		Nozzles Option 2		Nozzles Option 3		Nozzles Option 4	
Catalog Number	kW	Volt	A	B	C	F	B1	G1(in.)	B1	G2(in.)	B1	G3(in)	B1	G4(in)		
C4F6N18B2	16	240	25	14	9	7-1/2	22	1 FNPT	23	2 FNPT	25	1 150#	26	3 150#		
C4F6N18B4	16	480	25	14	9	7-1/2	22	1 FNPT	23	2 FNPT	25	1 150#	26	3 150#		
C4F6N20B2	17.4	240				7-1/2	24	1 FNPT	25	2 FNPT	27	1 150#	28	3 150#		
C4F6N20B4	20	480	27	16	11	7-1/2	24	1 FNPT	25	2 FNPT	27	1 150#	28	3 150#		
C4F6N25B2	24	240	32	21	16	7-1/2	29	1 FNPT	30	2 FNPT	32	1 150#	33	3 150#		
C4F6N25B4	24	480	32	21	16	7-1/2	29	1 FNPT	30	2 FNPT	32	1 150#	33	3 150#		
C4F6N33B2	30	240	40	29	24	7-1/2	37	1 FNPT	38	2 FNPT	40	1 150#	41	3 150#		
C4F6N33B4	30	480	40	29	24	7-1/2	37	1 FNPT	38	2 FNPT	40	1 150#	41	3 150#		
C4F6N43B2	40	240	50	39	34	7-1/2	47	1 FNPT	48	2 FNPT	50	1 150#	51	3 150#		
C4F6N43B4	40	480	50	39	34	7-1/2	47	1 FNPT	48	2 FNPT	50	1 150#	51	3 150#		
C4F6N52B2	50	240	55	48	39	7-1/2	56	1 FNPT	57	2 FNPT	59	1 150#	60	3 150#		
C4F6N52B4	50	480	55	48	39	7-1/2	56	1 FNPT	57	2 FNPT	59	1 150#	60	3 150#		
C4F6N61B2	60	240	68	57	52	7-1/2	65	1 FNPT	66	2 FNPT	68	1 150#	69	3 150#		
C4F6N61B4	60	480	68	57	52	7-1/2	65	1 FNPT	66	2 FNPT	68	1 150#	69	3 150#		
C4F6N88B4	89	480	95	84	79	7-1/2	93	1 FNPT	94	2 FNPT	96	1 150#	97	3 150#		
C4F6N106B4	100	480	113	102	97	7-1/2	110	1 FNPT	111	2 FNPT	113	1 150#	114	3 150#		
C4F6N120B4	114	480	127	116	111	7-1/2	124	1 FNPT	125	2 FNPT	127	1 150#	128	3 150#		

Diameter (in.): 5

Watt Density (w/sq.in.): 60

GCI Circulation Heater Drawing No. IC-300 Dimensions (Inches) A, B, B1, C, D, E, F, G							D = 4-1/2 E = 8		Nozzles Option 1		Nozzles Option 2		Nozzles Option 3		Nozzles Option 4	
Catalog Number	kW	Volt	A	B	C	F	B1	G1(in.)	B1	G2(in.)	B1	G3(in)	B1	G4(in)		
C5F6N18B2	16	240	25-3/4	13-1/2	10	8-1/2	23	2 FNPT	24	2-1/2 FNPT	25	2 150#	26	3 150#		
C5F6N18B4	16	480	25-3/4	13-1/2	10	8-1/2	23	2 FNPT	24	2-1/2 FNPT	25	2 150#	26	3 150#		
C5F6N20B2	20	240	27-3/4	15-1/2	9-1/2	8-1/2	25	2 FNPT	26	2-1/2 FNPT	27	2 150#	28	3 150#		
C5F6N20B4	20	480	27-3/4	15-1/2	9-1/2	8-1/2	25	2 FNPT	26	2-1/2 FNPT	27	2 150#	28	3 150#		
C5F6N25B2	24	240	32-3/4	20-1/2	13-3/4	8-1/2	30	2 FNPT	31	2-1/2 FNPT	32	2 150#	33	3 150#		
C5F6N25B4	24	480	32-3/4	20-1/2	13-3/4	8-1/2	30	2 FNPT	31	2-1/2 FNPT	32	2 150#	33	3 150#		
C5F6N33B2	30	240	40-3/4	28-1/2	21-3/4	8-1/2	38	2 FNPT	39	2-1/2 FNPT	40	2 150#	41	3 150#		
C5F6N33B4	30	480	40-3/4	28-1/2	21-3/4	8-1/2	38	2 FNPT	39	2-1/2 FNPT	40	2 150#	41	3 150#		
C5F6N43B2	40	240	50-3/4	38-1/2	31-3/4	8-1/2	48	2 FNPT	49	2-1/2 FNPT	50	2 150#	51	3 150#		
C5F6N43B4	40	480	50-3/4	38-1/2	31-3/4	8-1/2	48	2 FNPT	49	2-1/2 FNPT	50	2 150#	51	3 150#		
C5F6N52B2	50	240	55-3/4	47-1/2	36-3/4	8-1/2	57	2 FNPT	58	2-1/2 FNPT	59	2 150#	60	3 150#		
C5F6N52B4	50	480	55-3/4	47-1/2	36-3/4	8-1/2	57	2 FNPT	58	2-1/2 FNPT	59	2 150#	60	3 150#		
C5F6N61B2	60	240	68-3/4	56-1/2	49-3/4	8-1/2	66	2 FNPT	67	2-1/2 FNPT	68	2 150#	69	3 150#		
C5F6N61B4	60	480	68-3/4	56-1/2	49-3/4	8-1/2	66	2 FNPT	67	2-1/2 FNPT	68	2 150#	69	3 150#		
C5F6N88B4	89	480	95-3/4	88-1/2	71-3/4	8-1/2	98	2 FNPT	99	2-1/2 FNPT	100	2 150#	101	3 150#		
C5F6N106B4	100	240	113-3/4	101-1/2	94-3/4	8-1/2	111	2 FNPT	112	2-1/2 FNPT	113	2 150#	114	3 150#		
C5F6N120B4	114	480	127-3/4	115-1/2	108-3/4	8-1/2	125	2 FNPT	126	2-1/2 FNPT	127	2 150#	128	3 150#		
C5F9N18B2	24	240	25-3/4	13-1/2	10	8-1/2	23	2 FNPT	24	2-1/2 FNPT	25	2 150#	26	3 150#		
C5F9N18B4	24	480	25-3/4	13-1/2	10	8-1/2	23	2 FNPT	24	2-1/2 FNPT	25	2 150#	26	3 150#		
C5F9N20B2	30	240	27-3/4	15-1/2	9-1/2	8-1/2	25	2 FNPT	26	2-1/2 FNPT	27	2 150#	28	3 150#		
C5F9N20B4	30	480	27-3/4	15-1/2	9-1/2	8-1/2	25	2 FNPT	26	2-1/2 FNPT	27	2 150#	28	3 150#		
C5F9N25B2	36	240	32-3/4	20-1/2	13-3/4	8-1/2	30	2 FNPT	31	2-1/2 FNPT	32	2 150#	33	3 150#		
C5F9N25B4	36	480	32-3/4	20-1/2	13-3/4	8-1/2	30	2 FNPT	31	2-1/2 FNPT	32	2 150#	33	3 150#		

Circulation Heaters

Type IC

Diameter (in.): 5

Watt Density (w/sq.in.): 60

GCI Circulation Heater Drawing No. IC-300 Dimensions (Inches) A, B, B1, C, D, E, F, G							D = 4-1/2 E = 8		Nozzles Option 1		Nozzles Option 2		Nozzles Option 3		Nozzles Option 4	
Catalog Number	kW	Volt	A	B	C	F	B1	G1(in.)	B1	G2(in.)	B1	G3(in)	B1	G4(in)		
C5F9N33B2	45	240	40-3/4	28-1/2	21-3/4	8-1/2	38	2 FNPT	39	2-1/2 FNPT	40	2 150#	41	3 150#		
C5F9N33B4	45	480	40-3/4	28-1/2	21-3/4	8-1/2	38	2 FNPT	39	2-1/2 FNPT	40	2 150#	41	3 150#		
C5F9N43B2	60	240	50-3/4	38-1/2	31-3/4	8-1/2	48	2 FNPT	49	2-1/2 FNPT	50	2 150#	51	3 150#		
C5F9N43B4	60	480	50-3/4	38-1/2	31-3/4	8-1/2	48	2 FNPT	49	2-1/2 FNPT	50	2 150#	51	3 150#		
C5F9N52B2	75	240	55-3/4	47-1/2	36-3/4	8-1/2	57	2 FNPT	58	2-1/2 FNPT	59	2 150#	60	3 150#		
C5F9N52B4	75	480	55-3/4	47-1/2	36-3/4	8-1/2	57	2 FNPT	58	2-1/2 FNPT	59	2 150#	60	3 150#		
C5F9N61B2	90	240	68-3/4	56-1/2	49-3/4	8-1/2	66	2 FNPT	67	2-1/2 FNPT	68	2 150#	69	3 150#		
C5F9N61B4	90	480	68-3/4	56-1/2	49-3/4	8-1/2	66	2 FNPT	67	2-1/2 FNPT	68	2 150#	69	3 150#		
C5F9N88B4	133	480	95-3/4	88-1/2	71-3/4	8-1/2	98	2 FNPT	99	2-1/2 FNPT	100	2 150#	101	3 150#		
C5F9N106B4	150	480	113-3/4	101-1/2	94-3/4	8-1/2	111	2 FNPT	112	2-1/2 FNPT	113	2 150#	114	3 150#		
C5F9N120B4	171	480	127-3/4	115-1/2	108-3/4	8-1/2	125	2 FNPT	126	2-1/2 FNPT	127	2 150#	128	3 150#		

Diameter (in.): 6

Watt Density (w/sq.in.): 60

GCI Circulation Heater Drawing No. IC-300 Dimensions (Inches) A, B, B1, C, D, E, F, G							D = 4-1/2 E = 8		Nozzles Option 1		Nozzles Option 2		Nozzles Option 3		Nozzles Option 4	
Catalog Number	kW	Volt	A	B	C	F	B1	G1(in.)	B1	G2(in.)	B1	G3(in)	B1	G4(in)		
C6F12N18B2	32	240	26-1/4	13-1/2	10	9-5/8	24	2 FNPT	24	2-1/2 FNPT	26	2 150#	27	3 150#		
C6F12N18B4	32	480	26-1/4	13-1/2	10	9-5/8	24	2 FNPT	24	2-1/2 FNPT	26	2 150#	27	3 150#		
C6F12N20B2	40	240	28-1/4	15-1/2	9-1/2	9-5/8	26	2 FNPT	26	2-1/2 FNPT	28	2 150#	29	3 150#		
C6F12N20B4	40	480	28-1/4	15-1/2	9-1/2	9-5/8	26	2 FNPT	26	2-1/2 FNPT	28	2 150#	29	3 150#		
C6F12N25B2	48	240	33-1/4	20-1/2	13-3/4	9-5/8	31	2 FNPT	31	2-1/2 FNPT	33	2 150#	34	3 150#		
C6F12N25B4	48	480	33-1/4	20-1/2	13-3/4	9-5/8	31	2 FNPT	31	2-1/2 FNPT	33	2 150#	34	3 150#		
C6F12N33B2	60	240	41-1/4	28-1/2	21-3/4	9-5/8	39	2 FNPT	39	2-1/2 FNPT	41	2 150#	42	3 150#		
C6F12N33B4	60	480	41-1/4	28-1/2	21-3/4	9-5/8	39	2 FNPT	39	2-1/2 FNPT	41	2 150#	42	3 150#		
C6F12N43B2	80	240	50-1/4	38-1/2	28-2/4	9-5/8	49	2 FNPT	49	2-1/2 FNPT	51	2 150#	52	3 150#		
C6F12N43B4	80	480	50-1/4	38-1/2	28-2/4	9-5/8	49	2 FNPT	49	2-1/2 FNPT	51	2 150#	52	3 150#		
C6F12N52B2	100	240	55-1/4	47-1/2	33-3/4	9-5/8	58	2 FNPT	58	2-1/2 FNPT	60	2 150#	61	3 150#		
C6F12N52B4	100	480	55-1/4	47-1/2	33-3/4	9-5/8	58	2 FNPT	58	2-1/2 FNPT	60	2 150#	61	3 150#		
C6F12N61B2	120	240	69-1/4	56-1/2	49-3/4	9-5/8	67	2 FNPT	67	2-1/2 FNPT	69	2 150#	70	3 150#		
C6F12N61B4	120	480	69-1/4	56-1/2	49-3/4	9-5/8	67	2 FNPT	67	2-1/2 FNPT	69	2 150#	70	3 150#		
C6F12N88B4	178	240	96-1/4	83-1/2	76-3/4	9-5/8	94	2 FNPT	94	2-1/2 FNPT	96	2 150#	97	3 150#		
C6F12N106B4	200	480	114-1/4	101-1/2	94-3/4	9-5/8	112	2 FNPT	112	2-1/2 FNPT	114	2 150#	115	3 150#		
C6F12N120B4	228	480	128-1/4	115-1/2	108-3/4	9-5/8	126	2 FNPT	126	2-1/2 FNPT	128	2 150#	129	3 150#		
C6F15N18B2	40	240	26-1/4	13-1/2	10	9-5/8	24	2 FNPT	24	2-1/2 FNPT	26	2 150#	27	3 150#		
C6F15N18B4	40	480	26-1/4	13-1/2	10	9-5/8	24	2 FNPT	24	2-1/2 FNPT	26	2 150#	27	3 150#		
C6F15N20B2	50	240	28-1/4	15-1/2	9-1/2	9-5/8	26	2 FNPT	26	2-1/2 FNPT	28	2 150#	29	3 150#		
C6F15N20B4	50	480	28-1/4	15-1/2	9-1/2	9-5/8	26	2 FNPT	26	2-1/2 FNPT	28	2 150#	29	3 150#		
C6F15N25B2	60	240	33-1/4	20-1/2	13-3/4	9-5/8	31	2 FNPT	31	2-1/2 FNPT	33	2 150#	34	3 150#		
C6F15N25B4	60	480	33-1/4	20-1/2	13-3/4	9-5/8	31	2 FNPT	31	2-1/2 FNPT	33	2 150#	34	3 150#		
C6F15N33B2	75	240	41-1/4	28-1/2	21-3/4	9-5/8	39	2 FNPT	39	2-1/2 FNPT	41	2 150#	42	3 150#		
C6F15N33B4	75	480	41-1/4	28-1/2	21-3/4	9-5/8	39	2 FNPT	39	2-1/2 FNPT	41	2 150#	42	3 150#		
C6F15N43B2	100	240	50-1/4	38-1/2	28-2/4	9-5/8	49	2 FNPT	49	2-1/2 FNPT	51	2 150#	52	3 150#		
C6F15N43B4	100	480	50-1/4	38-1/2	28-2/4	9-5/8	49	2 FNPT	49	2-1/2 FNPT	51	2 150#	52	3 150#		
C6F15N52B2	125	240	55-1/4	47-1/2	33-3/4	9-5/8	58	2 FNPT	58	2-1/2 FNPT	60	2 150#	61	3 150#		
C6F15N52B4	125	480	55-1/4	47-1/2	33-3/4	9-5/8	58	2 FNPT	58	2-1/2 FNPT	60	2 150#	61	3 150#		

Circulation Heaters

Type IC

Diameter (in.): 6

Watt Density (w/sq.in.): 60

GCI Circulation Heater Drawing No. IC-300 Dimensions (Inches) A, B, B1, C, D, E, F, G							D = 4-1/2 E = 8		Nozzles Option 1		Nozzles Option 2		Nozzles Option 3		Nozzles Option 4	
Catalog Number	kW	Volt	A	B	C	F	B1	G1(in.)	B1	G2(in.)	B1	G3(in)	B1	G4(in)		
C6F15N61B2	150	240	69-1/4	56-1/2	49-3/4	9-5/8	67	2 FNPT	67	2-1/2 FNPT	69	2 150#	70	3 150#		
C6F15N61B4	150	480	69-1/4	56-1/2	49-3/4	9-5/8	67	2 FNPT	67	2-1/2 FNPT	69	2 150#	70	3 150#		
C6F15N88B4	222	480	96-1/4	83-1/2	76-3/4	9-5/8	94	2 FNPT	94	2-1/2 FNPT	96	2 150#	97	3 150#		
C6F15N106B4	250	480	114-1/4	101-1/2	94-3/4	9-5/8	112	2 FNPT	112	2-1/2 FNPT	114	2 150#	115	3 150#		
C6F15N120B4	285	480	128-1/4	115-1/2	108-3/4	9-5/8	126	2 FNPT	126	2-1/2 FNPT	128	2 150#	129	3 150#		

Diameter (in.): 8

Watt Density (w/sq.in.): 60

GCI Circulation Heater Drawing No. IC-300 Dimensions (Inches) A, B, B1, C, D, E, F, G							D = 4-1/2 E = 8-1/2		Nozzles Option 1		Nozzles Option 2		Nozzles Option 3		Nozzles Option 4	
Catalog Number	kW	Volt	A	B	C	F	B1	G1(in.)	B1	G2(in.)	B1	G3(in)	B1	G4(in)		
C8F18N18B2	48	240	26-3/4	13-1/2	9-1/2	11-5/8	24	2 FNPT	25	2-1/2 FNPT	27	2 150#	27	3 150#		
C8F18N18B4	48	480	26-3/4	13-1/2	9-1/2	11-5/8	24	2 FNPT	25	2-1/2 FNPT	27	2 150#	27	3 150#		
C8F18N20B2	60	240	28-3/4	15-1/2	11-1/2	11-5/8	26	2 FNPT	27	2-1/2 FNPT	29	2 150#	29	3 150#		
C8F18N20B4	60	480	28-3/4	15-1/2	11-1/2	11-5/8	26	2 FNPT	27	2-1/2 FNPT	29	2 150#	29	3 150#		
C8F18N25B2	72	240	33-3/4	20-1/2	13-1/4	11-5/8	31	2 FNPT	32	2-1/2 FNPT	34	2 150#	34	3 150#		
C8F18N25B4	72	480	33-3/4	20-1/2	13-1/4	11-5/8	31	2 FNPT	32	2-1/2 FNPT	34	2 150#	34	3 150#		
C8F18N33B2	90	240	41-3/4	28-1/2	21-1/4	11-5/8	39	2 FNPT	40	2-1/2 FNPT	42	2 150#	42	3 150#		
C8F18N33B4	90	480	41-3/4	28-1/2	21-1/4	11-5/8	39	2 FNPT	40	2-1/2 FNPT	42	2 150#	42	3 150#		
C8F18N43B2	120	240	51-3/4	38-1/2	31-1/4	11-5/8	49	2 FNPT	50	2-1/2 FNPT	52	2 150#	52	3 150#		
C8F18N43B4	120	480	51-3/4	38-1/2	31-1/4	11-5/8	49	2 FNPT	50	2-1/2 FNPT	52	2 150#	52	3 150#		
C8F18N52B2	150	240	56-3/4	47	36-1/4	11-5/8	58	2 FNPT	59	2-1/2 FNPT	60	2 150#	61	3 150#		
C8F18N52B4	150	480	61-1/4	47	39-1/4	11-5/8	58	2 FNPT	59	2-1/2 FNPT	60	2 150#	61	3 150#		
C8F18N61B2	180	240	70-1/4	56	48-1/4	11-5/8	67	2 FNPT	68	2-1/2 FNPT	69	2 150#	70	3 150#		
C8F18N61B4	180	480	70-1/4	56	48-1/4	11-5/8	67	2 FNPT	68	2-1/2 FNPT	69	2 150#	70	3 150#		
C8F18N88B4	266	480	97-1/4	83	75-1/4	11-5/8	94	2 FNPT	95	2-1/2 FNPT	96	2 150#	97	3 150#		
C8F18N106B4	301	480	115-1/4	101	93-1/4	11-5/8	112	2 FNPT	113	2-1/2 FNPT	114	2 150#	115	3 150#		
C8F18N120B4	342	480	123-1/4	115	107-1/4	11-5/8	126	2 FNPT	127	2-1/2 FNPT	128	2 150#	129	3 150#		
C8F24N18B2	64	240	26-3/4	13-1/2	9-1/2	11-5/8	24	2 FNPT	25	2-1/2 FNPT	27	2 150#	27	3 150#		
C8F24N18B4	64	480	26-3/4	13-1/2	9-1/2	11-5/8	24	2 FNPT	25	2-1/2 FNPT	27	2 150#	27	3 150#		
C8F24N20B2	80	240	28-3/4	15-1/2	11-1/2	11-5/8	26	2 FNPT	27	2-1/2 FNPT	29	2 150#	29	3 150#		
C8F24N20B4	80	480	28-3/4	15-1/2	11-1/2	11-5/8	26	2 FNPT	27	2-1/2 FNPT	29	2 150#	29	3 150#		
C8F24N25B2	96	240	33-3/4	20-1/2	13-1/4	11-5/8	31	2 FNPT	32	2-1/2 FNPT	34	2 150#	34	3 150#		
C8F24N25B4	96	480	33-3/4	20-1/2	13-1/4	11-5/8	31	2 FNPT	32	2-1/2 FNPT	34	2 150#	34	3 150#		
C8F24N33B2	120	240	41-3/4	28-1/2	21-1/4	11-5/8	39	2 FNPT	40	2-1/2 FNPT	42	2 150#	42	3 150#		
C8F24N33B4	120	480	41-3/4	28-1/2	21-1/4	11-5/8	39	2 FNPT	40	2-1/2 FNPT	42	2 150#	42	3 150#		
C8F24N43B2	160	240	51-3/4	38-1/2	31-1/4	11-5/8	49	2 FNPT	50	2-1/2 FNPT	52	2 150#	52	3 150#		
C8F24N43B4	160	480	51-3/4	38-1/2	31-1/4	11-5/8	49	2 FNPT	50	2-1/2 FNPT	52	2 150#	52	3 150#		
C8F24N52B2	200	240	56-3/4	47	36-1/4	11-5/8	58	2 FNPT	59	2-1/2 FNPT	60	2 150#	61	3 150#		
C8F24N52B4	200	480	61-1/4	47	39-1/4	11-5/8	58	2 FNPT	59	2-1/2 FNPT	60	2 150#	61	3 150#		
C8F24N61B2	240	240	70-1/4	56	48-1/4	11-5/8	67	2 FNPT	68	2-1/2 FNPT	69	2 150#	70	3 150#		
C8F24N61B4	240	480	70-1/4	56	48-1/4	11-5/8	67	2 FNPT	68	2-1/2 FNPT	69	2 150#	70	3 150#		
C8F24N88B4	355	480	97-1/4	83	75-1/4	11-5/8	94	2 FNPT	95	2-1/2 FNPT	96	2 150#	97	3 150#		
C8F24N106B4	400	480	115-1/4	101	93-1/4	11-5/8	112	2 FNPT	113	2-1/2 FNPT	114	2 150#	115	3 150#		
C8F24N120B4	455	480	123-1/4	115	107-1/4	11-5/8	126	2 FNPT	127	2-1/2 FNPT	128	2 150#	129	3 150#		

Circulation Heaters

Type IC

Diameter (in.): 10

Watt Density (w/sq.in.): 60

GCI Circulation Heater Drawing No. IC-300 Dimensions (Inches) A, B, B1, C, D, E, F, G							D = 6-3/4 E = 10		Nozzles Option 1		Nozzles Option 2		Nozzles Option 3		Nozzles Option 4	
Catalog Number	kW	Volt	A	B	C	F	B1	G1(in.)	B1	G2(in.)	B1	G3(in)	B1	G4(in)		
C10F27N33B4	135	480	49-1/2	30-1/4	31-3/4	15	45	3 150#	46	4 150#	47	6 150#	48	8 150#		
C10F27N43B4	180	480	59-1/2	40-1/4	41-3/4	15	55	3 150#	56	4 150#	57	6 150#	58	8 150#		
C10F27N52B4	225	480	63-1/4	45-1/4	46-3/4	15	60	3 150#	61	4 150#	62	6 150#	63	8 150#		
C10F27N61B4	270	480	72-1/4	54-1/4	53-3/4	15	69	3 150#	70	4 150#	71	6 150#	72	8 150#		
C10F27N88B4	400	480	99-1/4	81-1/4	82-3/4	15	96	3 150#	97	4 150#	98	6 150#	99	8 150#		
C10F27N106B4	451	480	117-1/4	99-1/4	100-3/4	15	114	3 150#	115	4 150#	116	6 150#	117	8 150#		
C10F27N120B4	513	480	131-1/4	113-1/4	114-3/4	15	128	3 150#	129	4 150#	130	6 150#	131	8 150#		
C10F30N52B4	250	480	63-1/4	45-1/4	46-3/4	15	60	3 150#	61	4 150#	62	6 150#	63	8 150#		
C10F30N61B4	300	480	72-1/4	54-1/4	53-3/4	15	69	3 150#	70	4 150#	71	6 150#	72	8 150#		
C10F30N88B4	444	480	99-1/4	81-1/4	82-3/4	15	96	3 150#	97	4 150#	98	6 150#	99	8 150#		
C10F30N106B4	501	480	117-1/4	99-1/4	100-3/4	15	114	3 150#	115	4 150#	116	6 150#	117	8 150#		
C10F30N120B4	570	480	131-1/4	113-1/4	114-3/4	15	128	3 150#	129	4 150#	130	6 150#	131	8 150#		
C10F36N33B4	180	480	49-1/2	30-1/4	31-3/4	15	45	3 150#	46	4 150#	47	6 150#	48	8 150#		
C10F36N43B4	240	480	59-1/2	40-1/4	41-3/4	15	55	3 150#	56	4 150#	57	6 150#	58	8 150#		
C10F36N52B4	300	480	63-1/4	45-1/4	46-3/4	15	60	3 150#	61	4 150#	62	6 150#	63	8 150#		
C10F36N61B4	360	480	72-1/4	54-1/4	53-3/4	15	69	3 150#	70	4 150#	71	6 150#	72	8 150#		
C10F36N88B4	532	480	99-1/4	81-1/4	82-3/4	15	96	3 150#	97	4 150#	98	6 150#	99	8 150#		
C10F36N106B4	601	480	117-1/4	99-1/4	100-3/4	15	114	3 150#	115	4 150#	116	6 150#	117	8 150#		
C10F36N120B4	684	480	131-1/4	113-1/4	114-3/4	15	128	3 150#	129	4 150#	130	6 150#	131	8 150#		

Diameter (in.): 12

Watt Density (w/sq.in.): 60

GCI Circulation Heater Drawing No. IC-300 Dimensions (Inches) A, B, B1, C, D, E, F, G							D = 6 E = 10		Nozzles Option 1		Nozzles Option 2		Nozzles Option 3		Nozzles Option 4	
Catalog Number	kW	Volt	A	B	C	F	B1	G1(in.)	B1	G2(in.)	B1	G3(in)	B1	G4(in)		
C12F36N33B4	180	480	44-1/4	27	19-1/4	15	42	3 150#	43	4 150#	44	6 150#	45	8 150#		
C12F36N43B4	240	480	54-1/4	37	29-1/4	15	52	3 150#	53	4 150#	54	6 150#	55	8 150#		
C12F36N52B4	300	480	63-1/4	46	37-1/4	16	61	3 150#	62	4 150#	63	6 150#	64	8 150#		
C12F36N61B4	360	480	72-1/4	55	46-1/4	16	70	3 150#	71	4 150#	72	6 150#	73	8 150#		
C12F36N88B4	532	480	99-1/4	82	73-1/4	16	97	3 150#	98	4 150#	99	6 150#	100	8 150#		
C12F36N106B4	601	480	117-1/4	100	91-1/4	16	115	3 150#	116	4 150#	117	6 150#	118	8 150#		
C12F36N120B4	684	480	131-1/4	114	105-1/4	16	129	3 150#	130	4 150#	131	6 150#	132	8 150#		
C12F48N33B4	240	480	44-1/4	27	19-1/4	15	42	3 150#	43	4 150#	44	6 150#	45	8 150#		
C12F48N43B4	320	480	54-1/4	37	29-1/4	15	52	3 150#	53	4 150#	54	6 150#	55	8 150#		
C12F48N52B4	400	480	63-1/4	46	37-1/4	16	61	3 150#	62	4 150#	63	6 150#	64	8 150#		
C12F48N61B4	480	480	72-1/4	55	46-1/4	16	70	3 150#	71	4 150#	72	6 150#	73	8 150#		
C12F48N88B4	710	480	99-1/4	82	73-1/4	16	97	3 150#	98	4 150#	99	6 150#	100	8 150#		
C12F48N106B4	801	480	117-1/4	100	91-1/4	16	115	3 150#	116	4 150#	117	6 150#	118	8 150#		
C12F48N120B4	911	480	131-1/4	114	105-1/4	16	129	3 150#	130	4 150#	131	6 150#	132	8 150#		

Diameter (in.): 14

Watt Density (w/sq.in.): 60

GCI Circulation Heater Drawing No. IC-300 Dimensions (Inches) A, B, B1, C, D, E, F, G							D = 6 E = 10		Nozzles Option 1		Nozzles Option 2		Nozzles Option 3		Nozzles Option 4	
Catalog Number	kW	Volt	A	B	C	F	B1	G1(in.)	B1	G2(in.)	B1	G3(in)	B1	G4(in)		

Circulation Heaters

Type IC

Diameter (in.): 14

Watt Density (w/sq.in.): 60

GCI Circulation Heater Drawing No. IC-300 Dimensions (Inches) A, B, B1, C, D, E, F, G							D = 6 E = 10		Nozzles Option 1		Nozzles Option 2		Nozzles Option 3		Nozzles Option 4	
Catalog Number	kW	Volt	A	B	C	F	B1	G1(in.)	B1	G2(in.)	B1	G3(in)	B1	G4(in)		
C14F45N33B4	225	480	44-3/4	27	18-1/4	17	43	3 150#	44	4 150#	45	6 150#	46	8 150#		
C14F45N43B4	300	480	54-3/4	37	28-1/4	17	53	3 150#	54	4 150#	55	6 150#	56	8 150#		
C14F45N52B4	375	480	63-3/4	46	37-1/4	17	62	3 150#	63	4 150#	64	6 150#	65	8 150#		
C14F45N61B4	450	480	72-3/4	55	46-1/4	17	71	3 150#	72	4 150#	73	6 150#	74	8 150#		
C14F45N88B4	666	480	99-3/4	82	73-1/4	17	98	3 150#	99	4 150#	100	6 150#	101	8 150#		
C14F45N106B4	735	480	117-3/4	100	91-1/4	17	116	3 150#	117	4 150#	118	6 150#	119	8 150#		
C14F45N120B4	836	480	131-3/4	114	105-1/4	17	130	3 150#	131	4 150#	132	6 150#	133	8 150#		
C14F48N52B4	400	480	63-3/4	46	37-1/4	17	62	3 150#	63	4 150#	64	6 150#	65	8 150#		
C14F48N61B4	480	480	72-3/4	55	46-1/4	17	71	3 150#	72	4 150#	73	6 150#	74	8 150#		
C14F48N88B4	710	480	99-3/4	82	73-1/4	17	98	3 150#	99	4 150#	100	6 150#	101	8 150#		
C14F48N106B4	800	480	117-3/4	100	91-1/4	17	116	3 150#	117	4 150#	118	6 150#	119	8 150#		
C14F48N120B4	912	480	131-3/4	114	105-1/4	17	130	3 150#	131	4 150#	132	6 150#	133	8 150#		
C14F54N33B4	270	480	44-3/4	27	18-1/4	17	43	3 150#	44	4 150#	45	6 150#	46	8 150#		
C14F54N43B4	360	480	54-3/4	37	28-1/4	17	53	3 150#	54	4 150#	55	6 150#	56	8 150#		
C14F54N52B4	450	480	63-3/4	46	37-1/4	17	62	3 150#	63	4 150#	64	6 150#	65	8 150#		
C14F54N61B4	540	480	72-3/4	55	46-1/4	17	71	3 150#	72	4 150#	73	6 150#	74	8 150#		
C14F54N88B4	800	480	99-3/4	82	73-1/4	17	98	3 150#	99	4 150#	100	6 150#	101	8 150#		
C14F54N106B4	902	480	117-3/4	100	91-1/4	17	116	3 150#	117	4 150#	118	6 150#	119	8 150#		
C14F54N120B4	1026	480	131-3/4	114	105-1/4	17	130	3 150#	131	4 150#	132	6 150#	133	8 150#		
C14F60N52B4	500	480	63-3/4	46	37-1/4	17	62	3 150#	63	4 150#	64	6 150#	65	8 150#		
C14F60N61B4	600	480	72-3/4	55	46-1/4	17	71	3 150#	72	4 150#	73	6 150#	74	8 150#		
C14F60N88B4	888	480	99-3/4	82	73-1/4	17	98	3 150#	99	4 150#	100	6 150#	101	8 150#		
C14F60N106B4	1002	480	117-3/4	100	91-1/4	17	116	3 150#	117	4 150#	118	6 150#	119	8 150#		
C14F60N120B4	1140	480	131-3/4	114	105-1/4	17	130	3 150#	131	4 150#	132	6 150#	133	8 150#		
C14F72N52B4	600	480	63-3/4	46	37-1/4	17	62	3 150#	63	4 150#	64	6 150#	65	8 150#		
C14F72N61B4	720	480	72-3/4	55	46-1/4	17	71	3 150#	72	4 150#	73	6 150#	74	8 150#		
C14F72N88B4	1066	480	99-3/4	82	73-1/4	17	98	3 150#	99	4 150#	100	6 150#	101	8 150#		
C14F72N106B4	1202	480	117-3/4	100	91-1/4	17	116	3 150#	117	4 150#	118	6 150#	119	8 150#		
C14F72N120B4	1368	480	131-3/4	114	105-1/4	17	130	3 150#	131	4 150#	132	6 150#	133	8 150#		

Circulation Heaters

Type IC

Watt Density: 45

Diameter (in.): 2.5

Watt Density (w/sq.in.): 45

GCI Circulation Heater Drawing No. IC-300 Dimensions (Inches) A, B, B1, C, D, E, F, G						D = 3 E = N/A		Nozzles Option 1		Nozzles Option 2		Nozzles Option 3		Nozzles Option 4	
Catalog Number	kW	Volt	A	B	C	F	B1	G1(in.)	B1	G2(in.)	B1	G3(in)	B1	G4(in)	
C2F3N13H2	4.5	240	19	N/A	N/A	5-1/2	15	1 FNPT	17	2 FNPT	19	1 150#	20	2 150#	
C2F3N13H4	4.5	480	19	N/A	N/A	5-1/2	15	1 FNPT	17	2 FNPT	19	1 150#	20	2 150#	
C2F3N18H2	6	240	23	N/A	N/A	5-1/2	19	1 FNPT	21	2 FNPT	23	1 150#	24	2 150#	
C2F3N18H4	6	480	23	N/A	N/A	5-1/2	19	1 FNPT	21	2 FNPT	23	1 150#	24	2 150#	
C2F3N20H2	7.5	240	26	N/A	N/A	5-1/2	22	1 FNPT	24	2 FNPT	26	1 150#	27	2 150#	
C2F3N20H4	7.5	480	26	N/A	N/A	5-1/2	22	1 FNPT	24	2 FNPT	26	1 150#	27	2 150#	
C2F3N25H2	9	240	31	N/A	N/A	5-1/2	27	1 FNPT	29	2 FNPT	31	1 150#	32	2 150#	
C2F3N25H4	9	480	31	N/A	N/A	5-1/2	27	1 FNPT	29	2 FNPT	31	1 150#	32	2 150#	
C2F3N33H2	12	240	38	N/A	N/A	5-1/2	35	1 FNPT	37	2 FNPT	38	1 150#	39	2 150#	
C2F3N33H4	12	480	38	N/A	N/A	5-1/2	35	1 FNPT	37	2 FNPT	38	1 150#	39	2 150#	
C2F3N40H2	15	240	46	N/A	N/A	5-1/2	42	1 FNPT	44	2 FNPT	46	1 150#	47	2 150#	
C2F3N40H4	15	480	46	N/A	N/A	5-1/2	42	1 FNPT	44	2 FNPT	46	1 150#	47	2 150#	
C2F3N48H2	18	240	53	N/A	N/A	5-1/2	50	1 FNPT	52	2 FNPT	54	1 150#	55	2 150#	
C2F3N48H4	18	480	53	N/A	N/A	5-1/2	50	1 FNPT	52	2 FNPT	54	1 150#	55	2 150#	
C2F3N61H2	25	240	67	N/A	N/A	5-1/2	63	1 FNPT	65	2 FNPT	67	1 150#	67	2 150#	
C2F3N61H4	25	480	67	N/A	N/A	5-1/2	63	1 FNPT	65	2 FNPT	67	1 150#	68	2 150#	
C2F3N78H2	33.3	240	84	N/A	N/A	5-1/2	80	1 FNPT	82	2 FNPT	84	1 150#	85	2 150#	
C2F3N78H4	33	480	84	N/A	N/A	5-1/2	80	1 FNPT	82	2 FNPT	84	1 150#	85	2 150#	
C2F3N88H4	37.5	480	94	N/A	N/A	5-1/2	90	1 FNPT	92	2 FNPT	94	1 150#	95	2 150#	
C2F3N106H4	41.7	480	112	N/A	N/A	5-1/2	108	1 FNPT	110	2 FNPT	112	1 150#	113	2 150#	
C2F3N120H4	45	480	126	N/A	N/A	5-1/2	122	1 FNPT	124	2 FNPT	126	1 150#	127	2 150#	
C2F3N140H4	52.5	480	146	N/A	N/A	5-1/2	142	1 FNPT	144	2 FNPT	146	1 150#	147	2 150#	
C2F3N160H4	60	480	166	N/A	N/A	5-1/2	162	1 FNPT	164	2 FNPT	166	1 150#	167	2 150#	
C2F3N180H4	67.5	480	186	N/A	N/A	5-1/2	182	1 FNPT	184	2 FNPT	186	1 150#	187	2 150#	

Diameter (in.): 3

Watt Density (w/sq.in.): 45

GCI Circulation Heater Drawing No. IC-300 Dimensions (Inches) A, B, B1, C, D, E, F, G						D = 4 E = 6		Nozzles Option 1		Nozzles Option 2		Nozzles Option 3		Nozzles Option 4	
Catalog Number	kW	Volt	A	B	C	F	B1	G1(in.)	B1	G2(in.)	B1	G3(in)	B1	G4(in)	
C3F3N13H2	4.5	240	19-1/2	N/A	7	6-1/2	16	1 FNPT	18	2 FNPT	20	1 150#	21	3 150#	
C3F3N13H4	4.5	480	19-1/2	N/A	7	6-1/2	16	1 FNPT	18	2 FNPT	20	1 150#	21	3 150#	
C3F3N18H2	6	240	24-1/2	N/A	9	6-1/2	21	1 FNPT	23	2 FNPT	25	1 150#	26	3 150#	
C3F3N18H4	6	480	24-1/2	N/A	9	6-1/2	21	1 FNPT	23	2 FNPT	25	1 150#	26	3 150#	
C3F3N20H2	7.5	240	26-1/2	N/A	11	6-1/2	23	1 FNPT	25	2 FNPT	27	1 150#	28	3 150#	
C3F3N20H4	7.5	480	26-1/2	N/A	11	6-1/2	23	1 FNPT	25	2 FNPT	27	1 150#	28	3 150#	
C3F3N25H2	9	240	31-1/2	N/A	16	6-1/2	28	1 FNPT	30	2 FNPT	32	1 150#	33	3 150#	
C3F3N25H4	9	480	31-1/2	N/A	16	6-1/2	28	1 FNPT	30	2 FNPT	32	1 150#	33	3 150#	
C3F3N33H2	12	240	39-1/2	N/A	24	6-1/2	36	1 FNPT	38	2 FNPT	40	1 150#	41	3 150#	
C3F3N33H4	12	480	39-1/2	N/A	24	6-1/2	36	1 FNPT	38	2 FNPT	40	1 150#	41	3 150#	
C3F3N40H2	15	240	46-1/2	N/A	31	6-1/2	43	1 FNPT	45	2 FNPT	47	1 150#	48	3 150#	
C3F3N40H4	15	480	46-1/2	N/A	31	6-1/2	43	1 FNPT	45	2 FNPT	47	1 150#	48	3 150#	
C3F3N48H2	18	240	54-1/2	N/A	39	6-1/2	51	1 FNPT	53	2 FNPT	55	1 150#	56	3 150#	

Circulation Heaters

Type IC

Diameter (in.): 3

Watt Density (w/sq.in.): 45

GCI Circulation Heater Drawing No. IC-300 Dimensions (Inches) A, B, B1, C, D, E, F, G						D = 4 E = 6		Nozzles Option 1		Nozzles Option 2		Nozzles Option 3		Nozzles Option 4	
Catalog Number	kW	Volt	A	B	C	F	B1	G1(in.)	B1	G2(in.)	B1	G3(in)	B1	G4(in)	
C3F3N48H4	18	480	54-1/2	N/A	39	6-1/2	51	1 FNPT	53	2 FNPT	55	1 150#	56	3 150#	
C3F3N61H2	25	240	67-1/2	N/A	52	6-1/2	64	1 FNPT	66	2 FNPT	68	1 150#	69	3 150#	
C3F3N61H4	25	480	67-1/2	N/A	52	6-1/2	64	1 FNPT	66	2 FNPT	68	1 150#	69	3 150#	
C3F3N78H2	33	240	84-1/2	N/A	69	6-1/2	81	1 FNPT	83	2 FNPT	85	1 150#	86	3 150#	
C3F3N78H4	33	480	84-1/2	N/A	69	6-1/2	81	1 FNPT	83	2 FNPT	85	1 150#	86	3 150#	
C3F3N88H4	38	480	94-1/2	N/A	79	6-1/2	91	1 FNPT	93	2 FNPT	95	1 150#	96	3 150#	
C3F3N106H4	42	480	112-1/2	N/A	97	6-1/2	109	1 FNPT	111	2 FNPT	113	1 150#	114	3 150#	
C3F3N120H4	45	480	126-1/2	N/A	111	6-1/2	123	1 FNPT	125	2 FNPT	127	1 150#	128	3 150#	
C3F3N140H4	53	480	146-1/2	N/A	131	6-1/2	143	1 FNPT	145	2 FNPT	147	1 150#	148	2 150#	
C3F3N160H4	60	480	166-1/2	N/A	151	6-1/2	163	1 FNPT	165	2 FNPT	167	1 150#	168	3 150#	
C3F3N180H4	68	480	186-1/2		171	6-1/2	183	1 FNPT	185	2 FNPT	187	1 150#	188	3 150#	

Diameter (in.): 4

Watt Density (w/sq.in.): 45

GCI Circulation Heater Drawing No. IC-300 Dimensions (Inches) A, B, B1, C, D, E, F, G						D = 4 E = 6		Nozzles Option 1		Nozzles Option 2		Nozzles Option 3		Nozzles Option 4	
Catalog Number	kW	Volt	A	B	C	F	B1	G1(in.)	B1	G2(in.)	B1	G3(in)	B1	G4(in)	
C4F6N13H2	9	240	20	9	7	7-1/2	17	1 FNPT	18	2 FNPT	20	1 150#	21	3 150#	
C4F6N13H4	9	480	20	9	7	7-1/2	17	1 FNPT	18	2 FNPT	20	1 150#	21	3 150#	
C4F6N18H2	12	240	25	14	9	7-1/2	22	1 FNPT	23	2 FNPT	25	1 150#	26	3 150#	
C4F6N18H4	12	480	25	14	9	7-1/2	22	1 FNPT	23	2 FNPT	25	1 150#	26	3 150#	
C4F6N20H2	15	240	27	16	11	7-1/2	24	1 FNPT	25	2 FNPT	27	1 150#	28	3 150#	
C4F6N20H4	15	480	27	16	11	7-1/2	24	1 FNPT	25	2 FNPT	27	1 150#	28	3 150#	
C4F6N25H2	18	240	32	21	16	7-1/2	29	1 FNPT	30	2 FNPT	32	1 150#	33	3 150#	
C4F6N25H4	18	480	32	21	16	7-1/2	29	1 FNPT	30	2 FNPT	32	1 150#	33	3 150#	
C4F6N33H2	24	240	40	29	24	7-1/2	37	1 FNPT	38	2 FNPT	40	1 150#	41	3 150#	
C4F6N33H4	24	480	40	29	24	7-1/2	37	1 FNPT	38	2 FNPT	40	1 150#	41	3 150#	
C4F6N40H2	30	240	47	36	31	7-1/2	43	1 FNPT	44	2 FNPT	46	1 150#	47	3 150#	
C4F6N40H4	30	480	47	36	31	7-1/2	43	1 FNPT	44	2 FNPT	46	1 150#	47	3 150#	
C4F6N48H2	36	240	55	44	39	7-1/2	52	1 FNPT	53	2 FNPT	55	1 150#	56	3 150#	
C4F6N48H4	36	480	55	44	39	7-1/2	52	1 FNPT	53	2 FNPT	55	1 150#	56	3 150#	
C4F6N61H2	50	240	68	57	52	7-1/2	65	1 FNPT	66	2 FNPT	68	1 150#	69	3 150#	
C4F6N61H4	50	480	68	57	52	7-1/2	65	1 FNPT	66	2 FNPT	68	1 150#	69	3 150#	
C4F6N78H2	67	240	85	74	69	7-1/2	83	1 FNPT	84	2 FNPT	86	1 150#	87	3 150#	
C4F6N78H4	67	480	85	74	69	7-1/2	83	1 FNPT	84	2 FNPT	86	1 150#	87	3 150#	
C4F6N88H4	19	480	95	84	79	7-1/2	93	1 FNPT	94	2 FNPT	96	1 150#	97	3 150#	
C4F6N106H4	21	480	113	102	97	7-1/2	110	1 FNPT	111	2 FNPT	113	1 150#	114	3 150#	
C4F6N120H4	23	480	127	116	111	7-1/2	124	1 FNPT	125	2 FNPT	127	1 150#	128	3 150#	
C4F6N140H4	105	480	147	136	131	7-1/2	144	1 FNPT	145	2 FNPT	147	1 150#	148	3 150#	
C4F6N160H4	121	480	167	156	151	7-1/2	164	1 FNPT	165	2 FNPT	167	1 150#	168	3 150#	
C4F6N180H4	135	480	187	176	171	7-1/2	184	1 FNPT	185	2 FNPT	187	1 150#	188	3 150#	

Circulation Heaters

Type IC

Diameter (in.): 5

Watt Density (w/sq.in.): 45

GCI Circulation Heater Drawing No. IC-300 Dimensions (Inches) A, B, B1, C, D, E, F, G						D = 4-1/2 E = 8		Nozzles Option 1		Nozzles Option 2		Nozzles Option 3		Nozzles Option 4	
Catalog Number	kW	Volt	A	B	C	F	B1	G1(in.)	B1	G2(in.)	B1	G3(in)	B1	G4(in)	
C5F6N13H2	9	240	20-3/4	8-1/2	5	8-1/2	18	2 FNPT	19	2-1/2 FNPT	20	2 150#	21	3 150#	
C5F6N13H4	9	480	20-3/4	8-1/2	5	8-1/2	18	2 FNPT	19	2-1/2 FNPT	20	2 150#	21	3 150#	
C5F6N18H2	12	240	25-3/4	13-1/2	10	8-1/2	23	2 FNPT	24	2-1/2 FNPT	25	2 150#	26	3 150#	
C5F6N18H4	12	480	25-3/4	13-1/2	10	8-1/2	23	2 FNPT	24	2-1/2 FNPT	25	2 150#	26	3 150#	
C5F6N20H2	15	240	27-3/4	15-1/2	9-1/2	8-1/2	25	2 FNPT	26	2-1/2 FNPT	27	2 150#	28	3 150#	
C5F6N25H2	18	240	32-3/4	20-1/2	13-3/4	8-1/2	30	2 FNPT	31	2-1/2 FNPT	32	2 150#	33	3 150#	
C5F6N33H2	24	240	40-3/4	28-1/2	21-3/4	8-1/2	38	2 FNPT	39	2-1/2 FNPT	40	2 150#	41	3 150#	
C5F6N33H4	24	480	40-3/4	28-1/2	21-3/4	8-1/2	38	2 FNPT	39	2-1/2 FNPT	40	2 150#	41	3 150#	
C5F6N40H2	30	240	47-3/4	35-1/2	28-3/4	8-1/2	45	2 FNPT	46	2-1/2 FNPT	47	2 150#	48	3 150#	
C5F6N40H4	30	480	47-3/4	35-1/2	28-3/4	8-1/2	45	2 FNPT	46	2-1/2 FNPT	47	2 150#	48	3 150#	
C5F6N48H2	36	240	55-3/4	43-1/2	36-3/4	8-1/2	53	2 FNPT	54	2-1/2 FNPT	55	2 150#	56	3 150#	
C5F6N48H4	36	480	55-3/4	43-1/2	36-3/4	8-1/2	53	2 FNPT	54	2-1/2 FNPT	55	2 150#	56	3 150#	
C5F6N61H2	50	240	68-3/4	56-1/2	49-3/4	8-1/2	66	2 FNPT	67	2-1/2 FNPT	68	2 150#	69	3 150#	
C5F6N61H4	50	480	68-3/4	56-1/2	49-3/4	8-1/2	66	2 FNPT	67	2-1/2 FNPT	68	2 150#	69	3 150#	
C5F6N78H2	67	240	85-3/4	73-1/2	66-3/4	8-1/2	84	2 FNPT	85	2-1/2 FNPT	86	2 150#	87	3 150#	
C5F6N78H4	67	480	85-3/4	73-1/2	66-3/4	8-1/2	84	2 FNPT	85	2-1/2 FNPT	86	2 150#	87	3 150#	
C5F6N88H4	75	480	95-3/4	88-1/2	71-3/4	8-1/2	98	2 FNPT	99	2-1/2 FNPT	100	2 150#	101	3 150#	
C5F6N106H4	21	480	113-3/4	101-1/2	94-3/4	8-1/2	111	2 FNPT	112	2-1/2 FNPT	113	2 150#	114	3 150#	
C5F6N120H4	90	480	127-3/4	115-1/2	108-3/4	8-1/2	125	2 FNPT	126	2-1/2 FNPT	127	2 150#	128	3 150#	
C5F6N140H4	105	480	147-3/4	135-1/2	128-3/4	8-1/2	145	2 FNPT	146	2-1/2 FNPT	147	2 150#	148	3 150#	
C5F6N160H4	121	480	167-3/4	155-1/2	148-3/4	8-1/2	165	2 FNPT	166	2-1/2 FNPT	167	2 150#	168	3 150#	
C5F6N180H4	135	480	187-3/4	175-1/2	168-3/4	8-1/2	185	2 FNPT	186	2-1/2 FNPT	187	2 150#	188	3 150#	
C5F9N13H2	14	240	20-3/4	8-1/2	5	8-1/2	18	2 FNPT	19	2-1/2 FNPT	20	2 150#	21	3 150#	
C5F9N13H4	14	480	20-3/4	8-1/2	5	8-1/2	18	2 FNPT	19	2-1/2 FNPT	20	2 150#	21	3 150#	
C5F9N18H2	18	240	25-3/4	13-1/2	10	8-1/2	23	2 FNPT	24	2-1/2 FNPT	25	2 150#	26	3 150#	
C5F9N18H4	18	480	25-3/4	13-1/2	10	8-1/2	23	2 FNPT	24	2-1/2 FNPT	25	2 150#	26	3 150#	
C5F9N20H2	23	240	27-3/4	15-1/2	9-1/2	8-1/2	25	2 FNPT	26	2-1/2 FNPT	27	2 150#	28	3 150#	
C5F9N20H4	23	480	27-3/4	15-1/2	9-1/2	8-1/2	25	2 FNPT	26	2-1/2 FNPT	27	2 150#	28	3 150#	
C5F9N25H2	27	240	32-3/4	20-1/2	13-3/4	8-1/2	30	2 FNPT	31	2-1/2 FNPT	32	2 150#	33	3 150#	
C5F9N25H4	27	480	32-3/4	20-1/2	13-3/4	8-1/2	30	2 FNPT	31	2-1/2 FNPT	32	2 150#	33	3 150#	
C5F9N33H2	36	240	40-3/4	28-1/2	21-3/4	8-1/2	38	2 FNPT	39	2-1/2 FNPT	40	2 150#	41	3 150#	
C5F9N33H4	36	480	40-3/4	28-1/2	21-3/4	8-1/2	38	2 FNPT	39	2-1/2 FNPT	40	2 150#	41	3 150#	
C5F9N40H2	45	240	47-3/4	35-1/2	28-3/4	8-1/2	45	2 FNPT	46	2-1/2 FNPT	47	2 150#	48	3 150#	
C5F9N40H4	45	480	47-3/4	35-1/2	28-3/4	8-1/2	45	2 FNPT	46	2-1/2 FNPT	47	2 150#	48	3 150#	
C5F9N48H2	54	240	55-3/4	43-1/2	36-3/4	8-1/2	53	2 FNPT	54	2-1/2 FNPT	55	2 150#	56	3 150#	
C5F9N48H4	54	480	55-3/4	43-1/2	36-3/4	8-1/2	53	2 FNPT	54	2-1/2 FNPT	55	2 150#	56	3 150#	
C5F9N61H2	75	240	68-3/4	56-1/2	49-3/4	8-1/2	66	2 FNPT	67	2-1/2 FNPT	68	2 150#	69	3 150#	
C5F9N61H4	75	480	68-3/4	56-1/2	49-3/4	8-1/2	66	2 FNPT	67	2-1/2 FNPT	68	2 150#	69	3 150#	
C5F9N78H2	100	240	85-3/4	73-1/2	66-3/4	8-1/2	84	2 FNPT	85	2-1/2 FNPT	86	2 150#	87	3 150#	
C5F9N78H4	100	480	85-3/4	73-1/2	66-3/4	8-1/2	84	2 FNPT	85	2-1/2 FNPT	86	2 150#	87	3 150#	
C5F9N88H4	113	480	95-3/4	88-1/2	71-3/4	8-1/2	98	2 FNPT	99	2-1/2 FNPT	100	2 150#	101	3 150#	
C5F9N106H4	125	480	113-3/4	101-1/2	94-3/4	8-1/2	111	2 FNPT	112	2-1/2 FNPT	113	2 150#	114	3 150#	
C5F9N120H4	135	480	127-3/4	115-1/2	108-3/4	8-1/2	125	2 FNPT	126	2-1/2 FNPT	127	2 150#	128	3 150#	
C5F9N140H4	158	480	147-3/4	135-1/2	128-3/4	8-1/2	145	2 FNPT	146	2-1/2 FNPT	147	2 150#	148	3 150#	
C5F9N160H4	181	480	167-3/4	155-1/2	148-3/4	8-1/2	165	2 FNPT	166	2-1/2 FNPT	167	2 150#	168	3 150#	
C5F9N180H4	203	480	187-3/4	175-1/2	168-3/4	8-1/2	185	2 FNPT	186	2-1/2 FNPT	187	2 150#	188	3 150#	

Circulation Heaters

Type IC

Diameter (in.): 6

Watt Density (w/sq.in.): 45

GCI Circulation Heater Drawing No. IC-300 Dimensions (Inches) A, B, B1, C, D, E, F, G							D = 4-1/2 E = 8		Nozzles Option 1		Nozzles Option 2		Nozzles Option 3		Nozzles Option 4	
Catalog Number	kW	Volt	A	B	C	F	B1	G1(in.)	B1	G2(in.)	B1	G3(in)	B1	G4(in)		
C6F12N13H2	18	240	21-1/4	8-1/2	5	9-5/8	19	2 FNPT	19	2-1/2 FNPT	21	2 150#	22	3 150#		
C6F12N13H4	18	480	21-1/4	8-1/2	5	9-5/8	19	2 FNPT	19	2-1/2 FNPT	21	2 150#	22	3 150#		
C6F12N18H2	24	240	26-1/4	13-1/2	10	9-5/8	24	2 FNPT	24	2-1/2 FNPT	26	2 150#	27	3 150#		
C6F12N18H4	24	480	26-1/4	13-1/2	10	9-5/8	24	2 FNPT	24	2-1/2 FNPT	26	2 150#	27	3 150#		
C6F12N20H2	30	240	28-1/4	15-1/2	9-1/2	9-5/8	26	2 FNPT	26	2-1/2 FNPT	28	2 150#	29	3 150#		
C6F12N20H4	30	480	28-1/4	15-1/2	9-1/2	9-5/8	26	2 FNPT	26	2-1/2 FNPT	28	2 150#	29	3 150#		
C6F12N25H2	36	240	33-1/4	20-1/2	13-3/4	9-5/8	31	2 FNPT	31	2-1/2 FNPT	33	2 150#	34	3 150#		
C6F12N25H4	36	480	33-1/4	20-1/2	13-3/4	9-5/8	31	2 FNPT	31	2-1/2 FNPT	33	2 150#	34	3 150#		
C6F12N33H2	48	240	41-1/4	28-1/2	21-3/4	9-5/8	39	2 FNPT	39	2-1/2 FNPT	41	2 150#	42	3 150#		
C6F12N33H4	48	480	41-1/4	28-1/2	21-3/4	9-5/8	39	2 FNPT	39	2-1/2 FNPT	41	2 150#	42	3 150#		
C6F12N40H2	60	240	48-1/4	35-1/2	28-3/4	9-5/8	46	2 FNPT	46	2-1/2 FNPT	48	2 150#	49	3 150#		
C6F12N40H4	60	480	48-1/4	35-1/2	28-3/4	9-5/8	46	2 FNPT	46	2-1/2 FNPT	48	2 150#	49	3 150#		
C6F12N48H2	72	240	55-1/4	43-1/2	33-3/4	9-5/8	54	2 FNPT	54	2-1/2 FNPT	56	2 150#	57	3 150#		
C6F12N48H4	72	480	55-1/4	43-1/2	33-3/4	9-5/8	54	2 FNPT	54	2-1/2 FNPT	56	2 150#	57	3 150#		
C6F12N61H2	100	240	69-1/4	56-1/2	49-3/4	9-5/8	67	2 FNPT	67	2-1/2 FNPT	69	2 150#	70	3 150#		
C6F12N61H4	100	480	69-1/4	56-1/2	49-3/4	9-5/8	67	2 FNPT	67	2-1/2 FNPT	69	2 150#	70	3 150#		
C6F12N78H2	133	240	86-1/4	73-1/2	66-3/4	9-5/8	84	2 FNPT	85	2-1/2 FNPT	86	2 150#	87	3 150#		
C6F12N78H4	133	480	86-1/4	73-1/2	66-3/4	9-5/8	84	2 FNPT	85	2-1/2 FNPT	86	2 150#	87	3 150#		
C6F12N88H4	38	480	96-1/4	83-1/2	76-3/4	9-5/8	94	2 FNPT	94	2-1/2 FNPT	96	2 150#	97	3 150#		
C6F12N106H4	167	480	114-1/4	101-1/2	94-3/4	9-5/8	112	2 FNPT	112	2-1/2 FNPT	114	2 150#	115	3 150#		
C6F12N120H4	180	480	128-1/4	115-1/2	108-3/4	9-5/8	126	2 FNPT	126	2-1/2 FNPT	128	2 150#	129	3 150#		
C6F12N140H4	210	480	148-1/4	135-1/2	128-3/4	9-5/8	146	2 FNPT	146	2-1/2 FNPT	148	2 150#	149	3 150#		
C6F12N160H4	241	480	168-1/4	155-1/2	148-3/4	9-5/8	166	2 FNPT	166	2-1/2 FNPT	168	2 150#	169	3 150#		
C6F12N180H4	270	480	188-1/4	175-1/2	168-3/4	9-5/8	186	2 FNPT	186	2-1/2 FNPT	188	2 150#	189	3 150#		
C6F15N13H2	23	240	21-1/4	8-1/2	5	9-5/8	19	2 FNPT	19	2-1/2 FNPT	21	2 150#	22	3 150#		
C6F15N13H4	23	480	21-1/4	8-1/2	5	9-5/8	19	2 FNPT	19	2-1/2 FNPT	21	2 150#	22	3 150#		
C6F15N18H2	30	240	26-1/4	13-1/2	10	9-5/8	24	2 FNPT	24	2-1/2 FNPT	26	2 150#	27	3 150#		
C6F15N18H4	30	480	26-1/4	13-1/2	10	9-5/8	24	2 FNPT	24	2-1/2 FNPT	26	2 150#	27	3 150#		
C6F15N20H2	38	240	28-1/4	15-1/2	9-1/2	9-5/8	26	2 FNPT	26	2-1/2 FNPT	28	2 150#	29	3 150#		
C6F15N20H4	38	480	28-1/4	15-1/2	9-1/2	9-5/8	26	2 FNPT	26	2-1/2 FNPT	28	2 150#	29	3 150#		
C6F15N25H2	45	240	33-1/4	20-1/2	13-3/4	9-5/8	31	2 FNPT	31	2-1/2 FNPT	33	2 150#	34	3 150#		
C6F15N25H4	45	480	33-1/4	20-1/2	13-3/4	9-5/8	31	2 FNPT	31	2-1/2 FNPT	33	2 150#	34	3 150#		
C6F15N33H2	60	240	41-1/4	28-1/2	21-3/4	9-5/8	39	2 FNPT	39	2-1/2 FNPT	41	2 150#	42	3 150#		
C6F15N33H4	60	480	41-1/4	28-1/2	21-3/4	9-5/8	39	2 FNPT	39	2-1/2 FNPT	41	2 150#	42	3 150#		
C6F15N40H2	75	240	48-1/4	35-1/2	28-3/4	9-5/8	46	2 FNPT	46	2-1/2 FNPT	48	2 150#	49	3 150#		
C6F15N40H4	75	480	48-1/4	35-1/2	28-3/4	9-5/8	46	2 FNPT	46	2-1/2 FNPT	48	2 150#	49	3 150#		
C6F15N48H2	90	240	55-1/4	43-1/2	33-3/4	9-5/8	54	2 FNPT	54	2-1/2 FNPT	56	2 150#	57	3 150#		
C6F15N48H4	90	480	55-1/4	43-1/2	33-3/4	9-5/8	54	2 FNPT	54	2-1/2 FNPT	56	2 150#	57	3 150#		
C6F15N61H2	125	240	69-1/4	56-1/2	49-3/4	9-5/8	67	2 FNPT	67	2-1/2 FNPT	69	2 150#	70	3 150#		
C6F15N61H4	125	480	69-1/4	56-1/2	49-3/4	9-5/8	67	2 FNPT	67	2-1/2 FNPT	69	2 150#	70	3 150#		
C6F15N78H2	167	240	86-1/4	73-1/2	66-3/4	9-5/8	84	2 FNPT	85	2-1/2 FNPT	86	2 150#	87	3 150#		
C6F15N78H4	167	480	86-1/4	73-1/2	66-3/4	9-5/8	84	2 FNPT	85	2-1/2 FNPT	86	2 150#	87	3 150#		
C6F15N88H4	188	480	96-1/4	83-1/2	76-3/4	9-5/8	94	2 FNPT	94	2-1/2 FNPT	96	2 150#	97	3 150#		
C6F15N106H4	209	480	114-1/4	101-1/2	94-3/4	9-5/8	112	2 FNPT	112	2-1/2 FNPT	114	2 150#	115	3 150#		
C6F15N120H4	225	480	128-1/4	115-1/2	108-3/4	9-5/8	126	2 FNPT	126	2-1/2 FNPT	128	2 150#	129	3 150#		
C6F15N140H4	262	480	148-1/4	135-1/2	128-3/4	9-5/8	146	2 FNPT	146	2-1/2 FNPT	148	2 150#	149	3 150#		

Circulation Heaters

Type IC

Diameter (in.): 6

Watt Density (w/sq.in.): 45

GCI Circulation Heater Drawing No. IC-300 Dimensions (Inches) A, B, B1, C, D, E, F, G							D = 4-1/2 E = 8		Nozzles Option 1		Nozzles Option 2		Nozzles Option 3		Nozzles Option 4	
Catalog Number	kW	Volt	A	B	C	F	B1	G1(in.)	B1	G2(in.)	B1	G3(in)	B1	G4(in)		
C6F15N160H4	301	480	168-1/4	155-1/2	148-3/4	9-5/8	166	2 FNPT	166	2-1/2 FNPT	168	2 150#	169	3 150#		
C6F15N180H4	338	480	188-1/4	175-1/2	168-3/4	9-5/8	186	2 FNPT	186	2-1/2 FNPT	188	2 150#	189	3 150#		

Diameter (in.): 8

Watt Density (w/sq.in.): 45

GCI Circulation Heater Drawing No. IC-300 Dimensions (Inches) A, B, B1, C, D, E, F, G							D = 4-1/2 E = 8-1/2		Nozzles Option 1		Nozzles Option 2		Nozzles Option 3		Nozzles Option 4	
Catalog Number	kW	Volt	A	B	C	F	B1	G1(in.)	B1	G2(in.)	B1	G3(in)	B1	G4(in)		
C8F18N13H2	27	240	21-3/4	8-1/2	4-1/2	11-5/8	19	2 FNPT	20	2-1/2 FNPT	22	2 150#	22	3 150#		
C8F18N13H4	27	480	21-3/4	8-1/2	4-1/2	11-5/8	19	2 FNPT	20	2-1/2 FNPT	22	2 150#	22	3 150#		
C8F18N18H2	36	240	26-3/4	13-1/2	9-1/2	11-5/8	24	2 FNPT	25	2-1/2 FNPT	27	2 150#	27	3 150#		
C8F18N18H4	36	480	26-3/4	13-1/2	9-1/2	11-5/8	24	2 FNPT	25	2-1/2 FNPT	27	2 150#	27	3 150#		
C8F18N20H2	45	240	28-3/4	15-1/2	11-1/2	11-5/8	26	2 FNPT	27	2-1/2 FNPT	29	2 150#	29	3 150#		
C8F18N20H4	45	480	28-3/4	15-1/2	11-1/2	11-5/8	26	2 FNPT	27	2-1/2 FNPT	29	2 150#	29	3 150#		
C8F18N25H2	54	240	33-3/4	20-1/2	13-1/4	11-5/8	31	2 FNPT	32	2-1/2 FNPT	34	2 150#	34	3 150#		
C8F18N25H4	54	480	33-3/4	20-1/2	13-1/4	11-5/8	31	2 FNPT	32	2-1/2 FNPT	34	2 150#	34	3 150#		
C8F18N33H2	72	240	41-3/4	28-1/2	21-1/4	11-5/8	39	2 FNPT	40	2-1/2 FNPT	42	2 150#	42	3 150#		
C8F18N33H4	72	480	41-3/4	28-1/2	21-1/4	11-5/8	39	2 FNPT	40	2-1/2 FNPT	42	2 150#	42	3 150#		
C8F18N40H2	90	240	48-3/4	35-1/2	28-1/4	11-5/8	46	2 FNPT	47	2-1/2 FNPT	49	2 150#	49	3 150#		
C8F18N40H4	90	480	48-3/4	35-1/2	28-1/4	11-5/8	46	2 FNPT	47	2-1/2 FNPT	49	2 150#	49	3 150#		
C8F18N48H2	108	240	56-3/4	43-1/2	36-1/4	11-5/8	54	2 FNPT	55	2-1/2 FNPT	57	2 150#	57	3 150#		
C8F18N48H4	108	480	56-3/4	43-1/2	36-1/4	11-5/8	54	2 FNPT	55	2-1/2 FNPT	57	2 150#	57	3 150#		
C8F18N61H2	150	240	70-1/4	56	48-1/4	11-5/8	67	2 FNPT	68	2-1/2 FNPT	69	2 150#	70	3 150#		
C8F18N61H4	150	480	70-1/4	56	48-1/4	11-5/8	67	2 FNPT	68	2-1/2 FNPT	69	2 150#	70	3 150#		
C8F18N78H2	200	240	87-1/4	73	65-1/4	11-5/8	84	2 FNPT	85	2-1/2 FNPT	87	2 150#	88	3 150#		
C8F18N78H4	200	480	87-1/4	73	65-1/4	11-5/8	84	2 FNPT	85	2-1/2 FNPT	87	2 150#	88	3 150#		
C8F18N88H4	225	480	97-1/4	83	75-1/4	11-5/8	94	2 FNPT	95	2-1/2 FNPT	96	2 150#	97	3 150#		
C8F18N106H4	250	480	115-1/4	101	93-1/4	11-5/8	112	2 FNPT	113	2-1/2 FNPT	114	2 150#	115	3 150#		
C8F18N120H4	270	480	123-1/4	115	107-1/4	11-5/8	126	2 FNPT	127	2-1/2 FNPT	128	2 150#	129	3 150#		
C8F18N140H4	315	480	149-1/4	135	127-1/4	11-5/8	146	2 FNPT	147	2-1/2 FNPT	148	2 150#	149	3 150#		
C8F18N160H4	361	480	169-1/4	155	147-1/4	11-5/8	166	2 FNPT	167	2-1/2 FNPT	168	2 150#	169	3 150#		
C8F18N180H4	405	480	189-1/4	175	167-1/4	11-5/8	186	2 FNPT	187	2-1/2 FNPT	188	2 150#	189	3 150#		
C8F24N13H2	36	240	21-3/4	8-1/2	4-1/2	11-5/8	19	2 FNPT	20	2-1/2 FNPT	22	2 150#	22	3 150#		
C8F24N13H4	36	480	21-3/4	8-1/2	4-1/2	11-5/8	19	2 FNPT	20	2-1/2 FNPT	22	2 150#	22	3 150#		
C8F24N18H2	48	240	26-3/4	13-1/2	9-1/2	11-5/8	24	2 FNPT	25	2-1/2 FNPT	27	2 150#	27	3 150#		
C8F24N18H4	48	480	26-3/4	13-1/2	9-1/2	11-5/8	24	2 FNPT	25	2-1/2 FNPT	27	2 150#	27	3 150#		
C8F24N20H2	60	240	28-3/4	15-1/2	11-1/2	11-5/8	26	2 FNPT	27	2-1/2 FNPT	29	2 150#	29	3 150#		
C8F24N20H4	60	480	28-3/4	15-1/2	11-1/2	11-5/8	26	2 FNPT	27	2-1/2 FNPT	29	2 150#	29	3 150#		
C8F24N25H2	72	240	33-3/4	20-1/2	13-1/4	11-5/8	31	2 FNPT	32	2-1/2 FNPT	34	2 150#	34	3 150#		
C8F24N25H4	72	480	33-3/4	20-1/2	13-1/4	11-5/8	31	2 FNPT	32	2-1/2 FNPT	34	2 150#	34	3 150#		
C8F24N33H2	96	240	41-3/4	28-1/2	21-1/4	11-5/8	39	2 FNPT	40	2-1/2 FNPT	42	2 150#	42	3 150#		
C8F24N33H4	96	480	41-3/4	28-1/2	21-1/4	11-5/8	39	2 FNPT	40	2-1/2 FNPT	42	2 150#	42	3 150#		
C8F24N40H2	120	240	48-3/4	35-1/2	28-1/4	11-5/8	46	2 FNPT	47	2-1/2 FNPT	49	2 150#	49	3 150#		
C8F24N40H4	120	480	48-3/4	35-1/2	28-1/4	11-5/8	46	2 FNPT	47	2-1/2 FNPT	49	2 150#	49	3 150#		
C8F24N48H2	144	240	56-3/4	43-1/2	36-1/4	11-5/8	54	2 FNPT	55	2-1/2 FNPT	57	2 150#	57	3 150#		
C8F24N48H4	144	480	56-3/4	43-1/2	36-1/4	11-5/8	54	2 FNPT	55	2-1/2 FNPT	57	2 150#	57	3 150#		

Circulation Heaters

Type IC

Diameter (in.): 8

Watt Density (w/sq.in.): 45

GCI Circulation Heater Drawing No. IC-300 Dimensions (Inches) A, B, B1, C, D, E, F, G							D = 4-1/2 E = 8-1/2		Nozzles Option 1		Nozzles Option 2		Nozzles Option 3		Nozzles Option 4	
Catalog Number	kW	Volt	A	B	C	F	B1	G1(in.)	B1	G2(in.)	B1	G3(in)	B1	G4(in)		
C8F24N61H2	200	240	70-1/4	56	48-1/4	11-5/8	67	2 FNPT	68	2-1/2 FNPT	69	2 150#	70	3 150#		
C8F24N61H4	200	480	70-1/4	56	48-1/4	11-5/8	67	2 FNPT	68	2-1/2 FNPT	69	2 150#	70	3 150#		
C8F24N78H2	267	240	87-1/4	73	65-1/4	11-5/8	84	2 FNPT	85	2-1/2 FNPT	87	2 150#	88	3 150#		
C8F24N78H4	267	480	87-1/4	73	65-1/4	11-5/8	84	2 FNPT	85	2-1/2 FNPT	87	2 150#	88	3 150#		
C8F24N88H4	300	480	97-1/4	83	75-1/4	11-5/8	94	2 FNPT	95	2-1/2 FNPT	96	2 150#	97	3 150#		
C8F24N106H4	333	480	115-1/4	101	93-1/4	11-5/8	112	2 FNPT	113	2-1/2 FNPT	114	2 150#	115	3 150#		
C8F24N120H4	362	480	123-1/4	115	107-1/4	11-5/8	126	2 FNPT	127	2-1/2 FNPT	128	2 150#	129	3 150#		
C8F24N140H4	421	480	149-1/4	135	127-1/4	11-5/8	146	2 FNPT	147	2-1/2 FNPT	148	2 150#	149	3 150#		
C8F24N160H4	483	480	169-1/4	155	147-1/4	11-5/8	166	2 FNPT	167	2-1/2 FNPT	168	2 150#	169	3 150#		
C8F24N180H4	541	480	189-1/4	175	167-1/4	11-5/8	186	2 FNPT	187	2-1/2 FNPT	188	2 150#	189	3 150#		

Diameter (in.): 10

Watt Density (w/sq.in.): 45

GCI Circulation Heater Drawing No. IC-300 Dimensions (Inches) A, B, B1, C, D, E, F, G							D = 6-3/4 E = 10		Nozzles Option 1		Nozzles Option 2		Nozzles Option 3		Nozzles Option 4	
Catalog Number	kW	Volt	A	B	C	F	B1	G1(in.)	B1	G2(in.)	B1	G3(in)	B1	G4(in)		
C10F27N52H4	162	480	63-1/4	45-1/4	46-3/4	15	60	3 150#	61	4 150#	62	6 150#	63	8 150#		
C10F27N61H4	225	480	72-1/4	54-1/4	53-3/4	15	69	3 150#	70	4 150#	71	6 150#	72	8 150#		
C10F27N78H4	300	480	89-1/4	71-1/4	72-3/4	15	86	3 150#	86	4 150#	87	6 150#	88	8 150#		
C10F27N88H4	337	480	99-1/4	81-1/4	82-3/4	15	96	3 150#	97	4 150#	98	6 150#	99	8 150#		
C10F27N106H4	375	480	117-1/4	99-1/4	100-3/4	15	114	3 150#	115	4 150#	116	6 150#	117	8 150#		
C10F27N120H4	405	480	131-1/4	113-1/4	114-3/4	15	128	3 150#	129	4 150#	130	6 150#	131	8 150#		
C10F30N52H4	180	480	63-1/4	45-1/4	46-3/4	15	60	3 150#	61	4 150#	62	6 150#	63	8 150#		
C10F30N61H4	250	480	72-1/4	54-1/4	53-3/4	15	69	3 150#	70	4 150#	71	6 150#	72	8 150#		
C10F30N78H4	333	480	89-1/4	71-1/4	72-3/4	15	86	3 150#	86	4 150#	87	6 150#	88	8 150#		
C10F30N88H4	375	480	99-1/4	81-1/4	82-3/4	15	96	3 150#	97	4 150#	98	6 150#	99	8 150#		
C10F30N106H4	417	480	117-1/4	99-1/4	100-3/4	15	114	3 150#	115	4 150#	116	6 150#	117	8 150#		
C10F30N120H4	450	480	131-1/4	113-1/4	114-3/4	15	128	3 150#	129	4 150#	130	6 150#	131	8 150#		

Diameter (in.): 12

Watt Density (w/sq.in.): 45

GCI Circulation Heater Drawing No. IC-300 Dimensions (Inches) A, B, B1, C, D, E, F, G							D = 6 E = 10		Nozzles Option 1		Nozzles Option 2		Nozzles Option 3		Nozzles Option 4	
Catalog Number	kW	Volt	A	B	C	F	B1	G1(in.)	B1	G2(in.)	B1	G3(in)	B1	G4(in)		
C12F36N52H4	216	480	63-1/4	46	37-1/4	16	61	3 150#	62	4 150#	63	6 150#	64	8 150#		
C12F36N61H4	300	480	72-1/4	55	46-1/4	16	70	3 150#	71	4 150#	72	6 150#	73	8 150#		
C12F36N78H4	400	480	89-1/4	72	63-1/4	16	87	3 150#	88	4 150#	89	6 150#	90	8 150#		
C12F36N88H4	450	480	99-1/4	82	73-1/4	16	97	3 150#	98	4 150#	99	6 150#	100	8 150#		
C12F36N106H4	500	480	117-1/4	100	91-1/4	16	115	3 150#	116	4 150#	117	6 150#	118	8 150#		
C12F36N120H4	540	480	131-1/4	114	105-1/4	16	129	3 150#	130	4 150#	131	6 150#	132	8 150#		
C12F36N140H4	630	480	151-1/4	134	129-1/4	16	149	3 150#	150	4 150#	151	6 150#	152	8 150#		
C12F36N160H4	723	480	171-1/4	154	145-1/4	16	169	3 150#	170	4 150#	171	6 150#	172	8 150#		
C12F36N180H4	810	480	191-1/4	174	165-1/4	16	189	3 150#	190	4 150#	191	6 150#	192	8 150#		
C12F48N52H4	288	480	63-1/4	46	37-1/4	16	61	3 150#	62	4 150#	63	6 150#	64	8 150#		
C12F48N61H4	400	480	72-1/4	55	46-1/4	16	70	3 150#	71	4 150#	72	6 150#	73	8 150#		

Circulation Heaters

Type IC

Diameter (in.): 12

Watt Density (w/sq.in.): 45

GCI Circulation Heater Drawing No. IC-300 Dimensions (Inches) A, B, B1, C, D, E, F, G							D = 6		Nozzles Option 1		Nozzles Option 2		Nozzles Option 3		Nozzles Option 4	
							E = 10									
Catalog Number	kW	Volt	A	B	C	F	B1	G1(in.)	B1	G2(in.)	B1	G3(in)	B1	G4(in)		
C12F48N78H4	533	480	89-1/4	72	63-1/4	16	87	3 150#	88	4 150#	89	6 150#	90	8 150#		
C12F48N88H4	600	480	99-1/4	82	73-1/4	16	97	3 150#	98	4 150#	99	6 150#	100	8 150#		
C12F48N106H4	667	480	117-1/4	100	91-1/4	16	115	3 150#	116	4 150#	117	6 150#	118	8 150#		
C12F48N120H4	720	480	131-1/4	114	105-1/4	16	129	3 150#	130	4 150#	131	6 150#	132	8 150#		
C12F48N140H4	828	480	151-1/4	134	129-1/4	16	149	3 150#	150	4 150#	151	6 150#	152	8 150#		
C12F48N160H4	951	480	171-1/4	154	145-1/4	16	169	3 150#	170	4 150#	171.	6 150#	172	8 150#		
C12F48N180H4	1065	480	191-1/4	174	165-1/4	16	189	3 150#	190	4 150#	191	6 150#	192	8 150#		

Diameter (in.): 14

Watt Density (w/sq.in.): 45

GCI Circulation Heater Drawing No. IC-300 Dimensions (Inches) A, B, B1, C, D, E, F, G							D = 6		Nozzles Option 1		Nozzles Option 2		Nozzles Option 3		Nozzles Option 4	
							E = 10									
Catalog Number	kW	Volt	A	B	C	F	B1	G1(in.)	B1	G2(in.)	B1	G3(in)	B1	G4(in)		
C14F48N52H4	288	480	63-3/4	46	37-1/4	17	62	3 150#	63	4 150#	64	6 150#	65	8 150#		
C14F48N61H4	400	480	72-3/4	55	46-1/4	17	71	3 150#	72	4 150#	73	6 150#	74	8 150#		
C14F48N78H4	533	480	89-3/4	72	63-1/4	17	88	3 150#	89	4 150#	90	6 150#	91	8 150#		
C14F48N88H4	600	480	99-3/4	82	73-1/4	17	98	3 150#	99	4 150#	100	6 150#	101	8 150#		
C14F48N106H4	667	480	117-3/4	100	91-1/4	17	116	3 150#	117	4 150#	118	6 150#	119	8 150#		
C14F48N120H4	720	480	131-3/4	114	105-1/4	17	130	3 150#	131	4 150#	132	6 150#	133	8 150#		
C14F48N140H4	840	480	151-3/4	134	129-1/4	17	150	3 150#	151	4 150#	152	6 150#	153	8 150#		
C14F48N160H4	965	480	171-3/4	154	145-1/4	17	170	3 150#	171	4 150#	172	6 150#	173	8 150#		
C14F48N180H4	1080	480	191-3/4	174	165-1/4	17	190	3 150#	191	4 150#	192	6 150#	193	8 150#		
C14F54N52H4	324	480	63-3/4	46	37-1/4	17	62	3 150#	63	4 150#	64	6 150#	65	8 150#		
C14F54N61H4	450	480	72-3/4	55	46-1/4	17	71	3 150#	72	4 150#	73	6 150#	74	8 150#		
C14F54N78H4	600	480	89-3/4	72	63-1/4	17	88	3 150#	89	4 150#	90	6 150#	91	8 150#		
C14F54N88H4	675	480	99-3/4	82	73-1/4	17	98	3 150#	99	4 150#	100	6 150#	101	8 150#		
C14F54N106H4	750	480	117-3/4	100	91-1/4	17	116	3 150#	117	4 150#	118	6 150#	119	8 150#		
C14F54N120H4	810	480	131-3/4	114	105-1/4	17	130	3 150#	131	4 150#	132	6 150#	133	8 150#		
C14F54N140H4	944	480	151-3/4	134	129-1/4	17	150	3 150#	151	4 150#	152	6 150#	153	8 150#		
C14F54N160H4	1085	480	171-3/4	154	145-1/4	17	170	3 150#	171	4 150#	172	6 150#	173	8 150#		
C14F54N180H4	1214	480	191-3/4	174	165-1/4	17	190	3 150#	191	4 150#	192	6 150#	193	8 150#		
C14F60N52H4	360	480	63-3/4	46	37-1/4	17	62	3 150#	63	4 150#	64	6 150#	65	8 150#		
C14F60N61H4	500	480	72-3/4	55	46-1/4	17	71	3 150#	72	4 150#	73	6 150#	74	8 150#		
C14F60N78H4	666	480	89-3/4	72	63-1/4	17	88	3 150#	89	4 150#	90	6 150#	91	8 150#		
C14F60N88H4	750	480	99-3/4	82	73-1/4	17	98	3 150#	99	4 150#	100	6 150#	101	8 150#		
C14F60N106H4	834	480	117-3/4	100	91-1/4	17	116	3 150#	117	4 150#	118	6 150#	119	8 150#		
C14F60N120H4	900	480	131-3/4	114	105-1/4	17	130	3 150#	131	4 150#	132	6 150#	133	8 150#		
C14F60N140H4	1050	480	151-3/4	134	129-1/4	17	150	3 150#	151	4 150#	152	6 150#	153	8 150#		
C14F60N160H4	1206	480	171-3/4	154	145-1/4	17	170	3 150#	171	4 150#	172	6 150#	173	8 150#		
C14F60N180H4	1350	480	191-3/4	174	165-1/4	17	190	3 150#	191	4 150#	192	6 150#	193	8 150#		
C14F72N52H4	432	480	63-3/4	46	37-1/4	17	62	3 150#	63	4 150#	64	6 150#	65	8 150#		
C14F72N61H4	600	480	72-3/4	55	46-1/4	17	71	3 150#	72	4 150#	73	6 150#	74	8 150#		
C14F72N78H4	800	480	89-3/4	72	63-1/4	17	88	3 150#	89	4 150#	90	6 150#	91	8 150#		
C14F72N88H4	900	480	99-3/4	82	73-1/4	17	98	3 150#	99	4 150#	100	6 150#	101	8 150#		
C14F72N106H4	1001	480	117-3/4	100	91-1/4	17	116	3 150#	117	4 150#	118	6 150#	119	8 150#		
C14F72N120H4	1080	480	131-3/4	114	105-1/4	17	130	3 150#	131	4 150#	132	6 150#	133	8 150#		

Circulation Heaters

Type IC

Diameter (in.): 14

Watt Density (w/sq.in.): 45

GCI Circulation Heater Drawing No. IC-300 Dimensions (Inches) A, B, B1, C, D, E, F, G							D = 6 E = 10		Nozzles Option 1		Nozzles Option 2		Nozzles Option 3		Nozzles Option 4	
Catalog Number	kW	Volt	A	B	C	F	B1	G1(in.)	B1	G2(in.)	B1	G3(in)	B1	G4(in)		
C14F72N140H4	1260	480	151-3/4	134	129-1/4	17	150	3 150#	151	4 150#	152	6 150#	153	8 150#		
C14F72N160H4	1447	480	171-3/4	154	145-1/4	17	170	3 150#	171	4 150#	172	6 150#	173	8 150#		
C14F72N180H4	1620	480	191-3/4	174	165-1/4	17	190	3 150#	191	4 150#	192	6 150#	193	8 150#		

Diameter (in.): 16

Watt Density (w/sq.in.): 45

GCI Circulation Heater Drawing No. IC-300 Dimensions (Inches) A, B, B1, C, D, E, F, G							D = 8-1/2 E = 10		Nozzles Option 1		Nozzles Option 2		Nozzles Option 3		Nozzles Option 4	
Catalog Number	kW	Volt	A	B	C	F	B1	G1(in.)	B1	G2(in.)	B1	G3(in)	B1	G4(in)		
C16F84N106H4	1168	480	120-1/4	97-1/2	89-1/4	19	114	3 150#	115	4 150#	116	6 150#	117	8 150#		
C16F84N120H4	1260	480	134-1/4	111-1/2	103-1/4	19	128	3 150#	129	4 150#	130	6 150#	131	8 150#		
C16F84N140H4	1470	480	154-1/4	131-1/2	123-1/4	19	148	3 150#	149	4 150#	150	6 150#	151	8 150#		
C16F84N160H4	1688	480	174-1/4	151-1/2	143-1/4	19	168	3 150#	169	4 150#	170	6 150#	171	8 150#		
C16F84N180H4	1890	480	194-1/4	171-1/2	164-1/4	19	188	3 150#	189	4 150#	190	6 150#	191	8 150#		

Diameter (in.): 18

Watt Density (w/sq.in.): 45

GCI Circulation Heater Drawing No. IC-300 Dimensions (Inches) A, B, B1, C, D, E, F, G							D = 9-1/2 E = 12		Nozzles Option 1		Nozzles Option 2		Nozzles Option 3		Nozzles Option 4	
Catalog Number	kW	Volt	A	B	C	F	B1	G1(in.)	B1	G2(in.)	B1	G3(in)	B1	G4(in)		
C18F108N106H4	1501	480	122-1/2	96-1/2	86	21	114	3 150#	115	4 150#	116	6 150#	118	8 150#		
C18F108N120H4	1620	480	136-1/2	110-1/2	100	21	127	3 150#	128	4 150#	129	6 150#	131	8 150#		
C18F108N140H4	1890	480	156-1/2	130-1/2	120	21	147	3 150#	148	4 150#	149	6 150#	151	8 150#		
C18F108N160H4	2171	480	176-1/2	150-1/2	140	21	167	3 150#	168	4 150#	169	6 150#	171	8 150#		
C18F108N180H4	2430	480	196-1/2	170-1/2	160	21	187	3 150#	188	4 150#	189	6 150#	191	8 150#		

Diameter (in.): 20

Watt Density (w/sq.in.): 45

GCI Circulation Heater Drawing No. IC-300 Dimensions (Inches) A, B, B1, C, D, E, F, G							D = 9-3/4 E = 12		Nozzles Option 1		Nozzles Option 2		Nozzles Option 3		Nozzles Option 4	
Catalog Number	kW	Volt	A	B	C	F	B1	G1(in.)	B1	G2(in.)	B1	G3(in)	B1	G4(in)		
C20F144N106H4	2002	480	123-1/2	96-1/4	86	23	115	3 150#	116	4 150#	117	6 150#	119	8 150#		
C20F144N120H4	2160	480	137-1/2	110-1/4	100	23	129	3 150#	130	4 150#	131	6 150#	133	8 150#		
C20F144N140H4	2520	480	157-1/2	130-1/4	120	23	149	3 150#	150	4 150#	151	6 150#	153	8 150#		
C20F144N160H4	2894	480	177-1/2	150-1/4	140	23	169	3 150#	170	4 150#	171	6 150#	173	8 150#		
C20F144N180H4	3240	480	197-1/2	170-1/4	160	23	189	3 150#	190	4 150#	191	6 150#	193	8 150#		

Diameter (in.): 24

Watt Density (w/sq.in.): 45

GCI Circulation Heater Drawing No. IC-300 Dimensions (Inches) A, B, B1, C, D, E, F, G							D = 10-1/2 E = 12		Nozzles Option 1		Nozzles Option 2		Nozzles Option 3		Nozzles Option 4	
Catalog Number	kW	Volt	A	B	C	F	B1	G1(in.)	B1	G2(in.)	B1	G3(in)	B1	G4(in)		
C24F192N106H4	2669	480	126	95-1/2	85	27	116	6 150#	117	8 150#	118	10 150#	120	12 150#		
C24F192N120H4	2880	480	140	109-1/2	99	27	130	6 150#	131	8 150#	132	10 150#	134	12 150#		

Circulation Heaters

Type IC

Diameter (in.): 24

Watt Density (w/sq.in.): 45

GCI Circulation Heater Drawing No. IC-300 Dimensions (Inches) A, B, B1, C, D, E, F, G							D = 10-1/2		Nozzles Option 1		Nozzles Option 2		Nozzles Option 3		Nozzles Option 4	
							E = 12		B1	G1(in.)	B1	G2(in.)	B1	G3(in)	B1	G4(in)
Catalog Number	kW	Volt	A	B	C	F	B1	G1(in.)	B1	G2(in.)	B1	G3(in)	B1	G4(in)		
C24F192N140H4	3360	480	160	129-1/2	119	27	150	6 150#	151	8 150#	152	10 150#	154	12 150#		
C24F192N160H4	3859	480	180	149-1/2	139	27	170	6 150#	171	8 150#	172	10 150#	174	12 150#		
C24F192N180H4	4320	480	200	169-1/2	159	27	190	6 150#	191	8 150#	192	10 150#	194	12 150#		

Circulation Heaters

Type IC

Watt Density: 23

Diameter (in.): 2.5

Watt Density (w/sq.in.): 23

GCI Circulation Heater Drawing No. IC-300 Dimensions (Inches) A, B, B1, C, D, E, F, G						D = 3 E = N/A		Nozzles Option 1		Nozzles Option 2		Nozzles Option 3		Nozzles Option 4	
Catalog Number	kW	Volt	A	B	C	F	B1	G1(in.)	B1	G2(in.)	B1	G3(in)	B1	G4(in)	
C2F3N13M1	2.2	120	19	N/A	N/A	5-1/2	15	1 FNPT	17	2 FNPT	19	1 150#	20	2 150#	
C2F3N13M2	2.2	240	19	N/A	N/A	5-1/2	15	1 FNPT	17	2 FNPT	19	1 150#	20	2 150#	
C2F3N13M4	2.2	480	19	N/A	N/A	5-1/2	15	1 FNPT	17	2 FNPT	19	1 150#	20	2 150#	
C2F3N18M2	3	240	23	N/A	N/A	5-1/2	19	1 FNPT	21	2 FNPT	23	1 150#	24	2 150#	
C2F3N18M4	3	480	23	N/A	N/A	5-1/2	19	1 FNPT	21	2 FNPT	23	1 150#	24	2 150#	
C2F3N20M2	3.7	240	26	N/A	N/A	5-1/2	22	1 FNPT	24	2 FNPT	26	1 150#	27	2 150#	
C2F3N20M4	3.7	480	26	N/A	N/A	5-1/2	22	1 FNPT	24	2 FNPT	26	1 150#	27	2 150#	
C2F3N25M2	4.5	240	31	N/A	N/A	5-1/2	27	1 FNPT	29	2 FNPT	31	1 150#	32	2 150#	
C2F3N25M4	4.5	480	31	N/A	N/A	5-1/2	27	1 FNPT	29	2 FNPT	31	1 150#	32	2 150#	
C2F3N33M2	6	240	38	N/A	N/A	5-1/2	35	1 FNPT	37	2 FNPT	38	1 150#	39	2 150#	
C2F3N33M4	6	480	38	N/A	N/A	5-1/2	35	1 FNPT	37	2 FNPT	38	1 150#	39	2 150#	
C2F3N40M2	7.5	240	46	N/A	N/A	5-1/2	42	1 FNPT	44	2 FNPT	46	1 150#	47	2 150#	
C2F3N40M4	7.5	480	46	N/A	N/A	5-1/2	42	1 FNPT	44	2 FNPT	46	1 150#	47	2 150#	
C2F3N48M2	9	240	53	N/A	N/A	5-1/2	50	1 FNPT	52	2 FNPT	54	1 150#	55	2 150#	
C2F3N48M4	9	480	53	N/A	N/A	5-1/2	50	1 FNPT	52	2 FNPT	54	1 150#	55	2 150#	
C2F3N52M2	10	240	58	N/A	N/A	5-1/2	54	1 FNPT	56	2 FNPT	58	1 150#	59	2 150#	
C2F3N52M4	10	480	58	N/A	N/A	5-1/2	54	1 FNPT	56	2 FNPT	58	1 150#	59	2 150#	
C2F3N64M2	12.5	240	70	N/A	N/A	5-1/2	66	1 FNPT	68	2 FNPT	70	1 150#	71	2 150#	
C2F3N64M4	12.5	480	70	N/A	N/A	5-1/2	66	1 FNPT	68	2 FNPT	70	1 150#	71	2 150#	
C2F3N77M2	15	240	82	N/A	N/A	5-1/2	79	1 FNPT	81	2 FNPT	83	1 150#	84	2 150#	
C2F3N77M4	15	480	82	N/A	N/A	5-1/2	79	1 FNPT	81	2 FNPT	83	1 150#	84	2 150#	
C2F3N88M4	16.8	480	94	N/A	N/A	5-1/2	90	1 FNPT	92	2 FNPT	94	1 150#	95	2 150#	
C2F3N106M4	18.9	480	112	N/A	N/A	5-1/2	108	1 FNPT	110	2 FNPT	112	1 150#	113	2 150#	
C2F3N120M4	23.4	480	126	N/A	N/A	5-1/2	122	1 FNPT	124	2 FNPT	126	1 150#	127	2 150#	
C2F3N140M4	26	480	146	N/A	N/A	5-1/2	142	1 FNPT	144	2 FNPT	146	1 150#	147	2 150#	
C2F3N160M4	30	480	166	N/A	N/A	5-1/2	162	1 FNPT	164	2 FNPT	166	1 150#	167	2 150#	

Diameter (in.): 3

Watt Density (w/sq.in.): 23

GCI Circulation Heater Drawing No. IC-300 Dimensions (Inches) A, B, B1, C, D, E, F, G						D = 4 E = 6		Nozzles Option 1		Nozzles Option 2		Nozzles Option 3		Nozzles Option 4	
Catalog Number	kW	Volt	A	B	C	F	B1	G1(in.)	B1	G2(in.)	B1	G3(in)	B1	G4(in)	
C3F3N18M2	3	240	24-1/2	14	9	6-1/2	21	1 FNPT	23	2 FNPT	25	1 150#	26	3 150#	
C3F3N18M4	3	480	24-1/2	14	9	6-1/2	21	1 FNPT	23	2 FNPT	25	1 150#	26	3 150#	
C3F3N20M2	3.8	240	26-1/2	16	11	6-1/2	23	1 FNPT	25	2 FNPT	27	1 150#	28	3 150#	
C3F3N20M4	3.8	480	26-1/2	16	11	6-1/2	23	1 FNPT	25	2 FNPT	27	1 150#	28	3 150#	
C3F3N25M2	4.5	240	31-1/2	21	16	6-1/2	28	1 FNPT	30	2 FNPT	32	1 150#	33	3 150#	
C3F3N25M4	4.5	480	31-1/2	21	16	6-1/2	28	1 FNPT	30	2 FNPT	32	1 150#	33	3 150#	
C3F3N33M2	6	240	39-1/2	29	24	6-1/2	36	1 FNPT	38	2 FNPT	40	1 150#	41	3 150#	
C3F3N33M4	6	480	39-1/2	29	24	6-1/2	36	1 FNPT	38	2 FNPT	40	1 150#	41	3 150#	
C3F3N40M2	7.5	240	46-1/2	36	31	6-1/2	43	1 FNPT	45	2 FNPT	47	1 150#	48	3 150#	
C3F3N40M4	7.5	480	46-1/2	36	31	6-1/2	43	1 FNPT	45	2 FNPT	47	1 150#	48	3 150#	
C3F3N48M2	9	240	54-1/2	44	39	6-1/2	51	1 FNPT	53	2 FNPT	55	1 150#	56	3 150#	

Circulation Heaters

Type IC

Diameter (in.): 3

Watt Density (w/sq.in.): 23

GCI Circulation Heater Drawing No. IC-300 Dimensions (Inches) A, B, B1, C, D, E, F, G							D = 4 E = 6		Nozzles Option 1		Nozzles Option 2		Nozzles Option 3		Nozzles Option 4	
Catalog Number	kW	Volt	A	B	C	F	B1	G1(in.)	B1	G2(in.)	B1	G3(in)	B1	G4(in)		
C3F3N48M4	9	480	54-1/2	44	39	6-1/2	51	1 FNPT	53	2 FNPT	55	1 150#	56	3 150#		
C3F3N52M2	10	240	58-1/2	48	43	6-1/2	55	1 FNPT	57	2 FNPT	59	1 150#	60	3 150#		
C3F3N52M4	10	480	58-1/2	48	43	6-1/2	55	1 FNPT	57	2 FNPT	59	1 150#	60	3 150#		
C3F3N64M2	12.5	240	70-1/2	60	55	6-1/2	67	1 FNPT	69	2 FNPT	71	1 150#	72	3 150#		
C3F3N64M4	12.5	480	70-1/2	60	55	6-1/2	67	1 FNPT	69	2 FNPT	71	1 150#	72	3 150#		
C3F3N77M2	15	240	84-1/2	73	69	6-1/2	81	1 FNPT	83	2 FNPT	85	1 150#	86	3 150#		
C3F3N77M4	15	480	84-1/2	73	69	6-1/2	81	1 FNPT	83	2 FNPT	85	1 150#	86	3 150#		
C3F3N88M4	17	480	94-1/2	84	79	6-1/2	91	1 FNPT	93	2 FNPT	95	1 150#	96	3 150#		
C3F3N106M4	19	480	112-1/2	102	97	6-1/2	109	1 FNPT	111	2 FNPT	113	1 150#	114	3 150#		
C3F3N120M4	24	480	126-1/2	116	111	6-1/2	123	1 FNPT	125	2 FNPT	127	1 150#	128	3 150#		
C3F3N140M4	26	480	146-1/2	136	131	6-1/2	143	1 FNPT	145	2 FNPT	147	1 150#	148	2 150#		
C3F3N160M4	30	480	166-1/2	156	151	6-1/2	163	1 FNPT	165	2 FNPT	167	1 150#	168	3 150#		
C3F3N180M4	34	480	186-1/2		171	6-1/2	183	1 FNPT	185	2 FNPT	187	1 150#	188	3 150#		

Diameter (in.): 4

Watt Density (w/sq.in.): 23

GCI Circulation Heater Drawing No. IC-300 Dimensions (Inches) A, B, B1, C, D, E, F, G							D = 4 E = 6		Nozzles Option 1		Nozzles Option 2		Nozzles Option 3		Nozzles Option 4	
Catalog Number	kW	Volt	A	B	C	F	B1	G1(in.)	B1	G2(in.)	B1	G3(in)	B1	G4(in)		
C4F6N18M2	6	240	25	14	9	7-1/2	22	1 FNPT	23	2 FNPT	25	1 150#	26	3 150#		
C4F6N18M4	6	480	25	14	9	7-1/2	22	1 FNPT	23	2 FNPT	25	1 150#	26	3 150#		
C4F6N20M2	7.5	240	27	16	11	7-1/2	24	1 FNPT	25	2 FNPT	27	1 150#	28	3 150#		
C4F6N20M4	7.5	480	27	16	11	7-1/2	24	1 FNPT	25	2 FNPT	27	1 150#	28	3 150#		
C4F6N25M2	9	240	32	21	16	7-1/2	29	1 FNPT	30	2 FNPT	32	1 150#	33	3 150#		
C4F6N25M4	9	480	32	21	16	7-1/2	29	1 FNPT	30	2 FNPT	32	1 150#	33	3 150#		
C4F6N33M2	12	240	40	29	24	7-1/2	37	1 FNPT	38	2 FNPT	40	1 150#	41	3 150#		
C4F6N33M4	12	480	40	29	24	7-1/2	37	1 FNPT	38	2 FNPT	40	1 150#	41	3 150#		
C4F6N40M2	15	240	47	36	31	7-1/2	43	1 FNPT	44	2 FNPT	46	1 150#	47	3 150#		
C4F6N40M4	15	480	47	36	31	7-1/2	43	1 FNPT	44	2 FNPT	46	1 150#	47	3 150#		
C4F6N48M2	18	240	55	44	39	7-1/2	52	1 FNPT	53	2 FNPT	55	1 150#	56	3 150#		
C4F6N48M4	18	480	55	44	39	7-1/2	52	1 FNPT	53	2 FNPT	55	1 150#	56	3 150#		
C4F6N52M2	20	240	59	48	43	7-1/2	56	1 FNPT	57	2 FNPT	59	1 150#	60	3 150#		
C4F6N52M4	20	480	59	48	43	7-1/2	56	1 FNPT	57	2 FNPT	59	1 150#	60	3 150#		
C4F6N64M2	25	240	71	60	55	7-1/2	68	1 FNPT	69	2 FNPT	71	1 150#	72	3 150#		
C4F6N64M4	25	480	71	60	55	7-1/2	68	1 FNPT	69	2 FNPT	71	1 150#	72	3 150#		
C4F6N77M2	30	240	85	74	69	7-1/2	82	1 FNPT	83	2 FNPT	85	1 150#	86	3 150#		
C4F6N77M4	30	480	85	74	69	7-1/2	82	1 FNPT	83	2 FNPT	85	1 150#	86	3 150#		
C4F6N88M4	34	480	95	84	79	7-1/2	93	1 FNPT	94	2 FNPT	96	1 150#	97	3 150#		
C4F6N106M4	38	480	113	102	97	7-1/2	110	1 FNPT	111	2 FNPT	113	1 150#	114	3 150#		
C4F6N120M4	47	480	127	116	111	7-1/2	124	1 FNPT	125	2 FNPT	127	1 150#	128	3 150#		
C4F6N140M4	53	480	147	136	131	7-1/2	144	1 FNPT	145	2 FNPT	147	1 150#	148	3 150#		
C4F6N160M4	60	480	167	156	151	7-1/2	164	1 FNPT	165	2 FNPT	167	1 150#	168	3 150#		
C4F6N180M4	68	480	187	176	171	7-1/2	184	1 FNPT	185	2 FNPT	187	1 150#	188	3 150#		

Circulation Heaters

Type IC

Diameter (in.): 5

Watt Density (w/sq.in.): 23

GCI Circulation Heater Drawing No. IC-300 Dimensions (Inches) A, B, B1, C, D, E, F, G						D = 4-1/2 E = 8		Nozzles Option 1		Nozzles Option 2		Nozzles Option 3		Nozzles Option 4	
Catalog Number	kW	Volt	A	B	C	F	B1	G1(in.)	B1	G2(in.)	B1	G3(in)	B1	G4(in)	
C5F6N18M2	6	240	25-3/4	13-1/2	10	8-1/2	23	2 FNPT	24	2-1/2 FNPT	25	2 150#	26	3 150#	
C5F6N18M4	6	480	25-3/4	13-1/2	10	8-1/2	23	2 FNPT	24	2-1/2 FNPT	25	2 150#	26	3 150#	
C5F6N20M2	7.5	240	27-3/4	15-1/2	9-1/2	8-1/2	25	2 FNPT	26	2-1/2 FNPT	27	2 150#	28	3 150#	
C5F6N20M4	7.5	480	27-3/4	15-1/2	9-1/2	8-1/2	25	2 FNPT	26	2-1/2 FNPT	27	2 150#	28	3 150#	
C5F6N25M2	9	240	32-3/4	20-1/2	13-3/4	8-1/2	30	2 FNPT	31	2-1/2 FNPT	32	2 150#	33	3 150#	
C5F6N25M4	9	480	32-3/4	20-1/2	13-3/4	8-1/2	30	2 FNPT	31	2-1/2 FNPT	32	2 150#	33	3 150#	
C5F6N33M2	12	240	40-3/4	28-1/2	21-3/4	8-1/2	38	2 FNPT	39	2-1/2 FNPT	40	2 150#	41	3 150#	
C5F6N33M4	12	480	40-3/4	28-1/2	21-3/4	8-1/2	38	2 FNPT	39	2-1/2 FNPT	40	2 150#	41	3 150#	
C5F6N40M2	15	240	47-3/4	35-1/2	28-3/4	8-1/2	45	2 FNPT	46	2-1/2 FNPT	47	2 150#	48	3 150#	
C5F6N40M4	15	480	47-3/4	35-1/2	28-3/4	8-1/2	45	2 FNPT	46	2-1/2 FNPT	47	2 150#	48	3 150#	
C5F6N48M2	18	240	55-3/4	43-1/2	36-3/4	8-1/2	53	2 FNPT	54	2-1/2 FNPT	55	2 150#	56	3 150#	
C5F6N48M4	18	480	55-3/4	43-1/2	36-3/4	8-1/2	53	2 FNPT	54	2-1/2 FNPT	55	2 150#	56	3 150#	
C5F6N52M2	20	240	59-3/4	47-1/2	40-3/4	8-1/2	57	2 FNPT	58	2-1/2 FNPT	59	2 150#	60	3 150#	
C5F6N52M4	20	480	59-3/4	47-1/2	40-3/4	8-1/2	57	2 FNPT	58	2-1/2 FNPT	59	2 150#	60	3 150#	
C5F6N64M2	25	240	71-3/4	59-1/2	52-3/4	8-1/2	69	2 FNPT	70	2-1/2 FNPT	71	2 150#	72	3 150#	
C5F6N64M4	25	480	71-3/4	59-1/2	52-3/4	8-1/2	69	2 FNPT	70	2-1/2 FNPT	71	2 150#	72	3 150#	
C5F6N77M2	30	240	85-3/4	73-1/2	66-3/4	8-1/2	83	2 FNPT	84	2-1/2 FNPT	85	2 150#	86	3 150#	
C5F6N77M4	30	480	85-3/4	73-1/2	66-3/4	8-1/2	83	2 FNPT	84	2-1/2 FNPT	85	2 150#	86	3 150#	
C5F6N88M4	34	480	95-3/4	88-1/2	71-3/4	8-1/2	98	2 FNPT	99	2-1/2 FNPT	100	2 150#	101	3 150#	
C5F6N106M4	38	480	113-3/4	101-1/2	94-3/4	8-1/2	111	2 FNPT	112	2-1/2 FNPT	113	2 150#	114	3 150#	
C5F6N120M4	47	480	127-3/4	115-1/2	108-3/4	8-1/2	125	2 FNPT	126	2-1/2 FNPT	127	2 150#	128	3 150#	
C5F6N140M4	53	480	147-3/4	135-1/2	128-3/4	8-1/2	145	2 FNPT	146	2-1/2 FNPT	147	2 150#	148	3 150#	
C5F6N160M4	60	480	167-3/4	155-1/2	148-3/4	8-1/2	165	2 FNPT	166	2-1/2 FNPT	167	2 150#	168	3 150#	
C5F6N180M4	68	480	187-3/4	175-1/2	168-3/4	8-1/2	185	2 FNPT	186	2-1/2 FNPT	187	2 150#	188	3 150#	
C5F9N18M2	9	240	25-3/4	13-1/2	10	8-1/2	23	2 FNPT	24	2-1/2 FNPT	25	2 150#	26	3 150#	
C5F9N18M4	9	480	25-3/4	13-1/2	10	8-1/2	23	2 FNPT	24	2-1/2 FNPT	25	2 150#	26	3 150#	
C5F9N20M2	11.3	240	27-3/4	15-1/2	9-1/2	8-1/2	25	2 FNPT	26	2-1/2 FNPT	27	2 150#	28	3 150#	
C5F9N20M4	11.3	480	27-3/4	15-1/2	9-1/2	8-1/2	25	2 FNPT	26	2-1/2 FNPT	27	2 150#	28	3 150#	
C5F9N25M2	14	240	32-3/4	20-1/2	13-3/4	8-1/2	30	2 FNPT	31	2-1/2 FNPT	32	2 150#	33	3 150#	
C5F9N25M4	14	480	32-3/4	20-1/2	13-3/4	8-1/2	30	2 FNPT	31	2-1/2 FNPT	32	2 150#	33	3 150#	
C5F9N33M2	18	240	40-3/4	28-1/2	21-3/4	8-1/2	38	2 FNPT	39	2-1/2 FNPT	40	2 150#	41	3 150#	
C5F9N33M4	18	480	40-3/4	28-1/2	21-3/4	8-1/2	38	2 FNPT	39	2-1/2 FNPT	40	2 150#	41	3 150#	
C5F9N40M2	23	240	47-3/4	35-1/2	28-3/4	8-1/2	45	2 FNPT	46	2-1/2 FNPT	47	2 150#	48	3 150#	
C5F9N40M4	23	480	47-3/4	35-1/2	28-3/4	8-1/2	45	2 FNPT	46	2-1/2 FNPT	47	2 150#	48	3 150#	
C5F9N48M2	27	240	55-3/4	43-1/2	36-3/4	8-1/2	53	2 FNPT	54	2-1/2 FNPT	55	2 150#	56	3 150#	
C5F9N48M4	27	480	55-3/4	43-1/2	36-3/4	8-1/2	53	2 FNPT	54	2-1/2 FNPT	55	2 150#	56	3 150#	
C5F9N52M2	30	240	59-3/4	47-1/2	40-3/4	8-1/2	57	2 FNPT	58	2-1/2 FNPT	59	2 150#	60	3 150#	
C5F9N52M4	30	480	59-3/4	47-1/2	40-3/4	8-1/2	57	2 FNPT	58	2-1/2 FNPT	59	2 150#	60	3 150#	
C5F9N64M2	38	240	71-3/4	59-1/2	52-3/4	8-1/2	69	2 FNPT	70	2-1/2 FNPT	71	2 150#	72	3 150#	
C5F9N64M4	38	480	71-3/4	59-1/2	52-3/4	8-1/2	69	2 FNPT	70	2-1/2 FNPT	71	2 150#	72	3 150#	
C5F9N77M2	45	240	85-3/4	73-1/2	66-3/4	8-1/2	83	2 FNPT	84	2-1/2 FNPT	85	2 150#	86	3 150#	
C5F9N77M4	45	480	85-3/4	73-1/2	66-3/4	8-1/2	83	2 FNPT	84	2-1/2 FNPT	85	2 150#	86	3 150#	
C5F9N88M4	50	480	95-3/4	88-1/2	71-3/4	8-1/2	98	2 FNPT	99	2-1/2 FNPT	100	2 150#	101	3 150#	
C5F9N106M4	57	480	113-3/4	101-1/2	94-3/4	8-1/2	111	2 FNPT	112	2-1/2 FNPT	113	2 150#	114	3 150#	
C5F9N120M4	70	480	127-3/4	115-1/2	108-3/4	8-1/2	125	2 FNPT	126	2-1/2 FNPT	127	2 150#	128	3 150#	
C5F9N140M4	79	480	147-3/4	135-1/2	128-3/4	8-1/2	145	2 FNPT	146	2-1/2 FNPT	147	2 150#	148	3 150#	

Circulation Heaters

Type IC

Diameter (in.): 5

Watt Density (w/sq.in.): 23

GCI Circulation Heater Drawing No. IC-300 Dimensions (Inches) A, B, B1, C, D, E, F, G							D = 4-1/2 E = 8		Nozzles Option 1		Nozzles Option 2		Nozzles Option 3		Nozzles Option 4	
Catalog Number	kW	Volt	A	B	C	F	B1	G1(in.)	B1	G2(in.)	B1	G3(in)	B1	G4(in)		
C5F9N160M4	91	480	167-3/4	155-1/2	148-3/4	8-1/2	165	2 FNPT	166	2-1/2 FNPT	167	2 150#	168	3 150#		
C5F9N180M4	101	480	187-3/4	175-1/2	168-3/4	8-1/2	185	2 FNPT	186	2-1/2 FNPT	187	2 150#	188	3 150#		

Diameter (in.): 6

Watt Density (w/sq.in.): 23

GCI Circulation Heater Drawing No. IC-300 Dimensions (Inches) A, B, B1, C, D, E, F, G							D = 4-1/2 E = 8		Nozzles Option 1		Nozzles Option 2		Nozzles Option 3		Nozzles Option 4	
Catalog Number	kW	Volt	A	B	C	F	B1	G1(in.)	B1	G2(in.)	B1	G3(in)	B1	G4(in)		
C6F12N18M2	12	240	26-1/4	13-1/2	10	9-5/8	24	2 FNPT	24	2-1/2 FNPT	26	2 150#	27	3 150#		
C6F12N18M4	12	480	26-1/4	13-1/2	10	9-5/8	24	2 FNPT	24	2-1/2 FNPT	26	2 150#	27	3 150#		
C6F12N20M2	15	240	28-1/4	15-1/2	9-1/2	9-5/8	26	2 FNPT	26	2-1/2 FNPT	28	2 150#	29	3 150#		
C6F12N20M4	15	480	28-1/4	15-1/2	9-1/2	9-5/8	26	2 FNPT	26	2-1/2 FNPT	28	2 150#	29	3 150#		
C6F12N25M2	18	240	33-1/4	20-1/2	13-3/4	9-5/8	31	2 FNPT	31	2-1/2 FNPT	33	2 150#	34	3 150#		
C6F12N25M4	18	480	33-1/4	20-1/2	13-3/4	9-5/8	31	2 FNPT	31	2-1/2 FNPT	33	2 150#	34	3 150#		
C6F12N33M2	24	240	41-1/4	28-1/2	21-3/4	9-5/8	39	2 FNPT	39	2-1/2 FNPT	41	2 150#	42	3 150#		
C6F12N33M4	24	480	41-1/4	28-1/2	21-3/4	9-5/8	39	2 FNPT	39	2-1/2 FNPT	41	2 150#	42	3 150#		
C6F12N40M2	30	240	48-1/4	35-1/2	28-3/4	9-5/8	46	2 FNPT	46	2-1/2 FNPT	48	2 150#	49	3 150#		
C6F12N40M4	30	480	48-1/4	35-1/2	28-3/4	9-5/8	46	2 FNPT	46	2-1/2 FNPT	48	2 150#	49	3 150#		
C6F12N48M2	36	240	55-1/4	43-1/2	33-3/4	9-5/8	54	2 FNPT	54	2-1/2 FNPT	56	2 150#	57	3 150#		
C6F12N48M4	36	480	55-1/4	43-1/2	33-3/4	9-5/8	54	2 FNPT	54	2-1/2 FNPT	56	2 150#	57	3 150#		
C6F12N52M2	40	240	60-1/4	47-1/2	40-3/4	9-5/8	58	2 FNPT	58	2-1/2 FNPT	60	2 150#	61	3 150#		
C6F12N52M4	40	480	60-1/4	47-1/2	40-3/4	9-5/8	58	2 FNPT	58	2-1/2 FNPT	60	2 150#	61	3 150#		
C6F12N64M2	50	240	72-1/4	59-1/2	52-3/4	9-5/8	70	2 FNPT	70	2-1/2 FNPT	72	2 150#	73	3 150#		
C6F12N64M4	50	480	72-1/4	59-1/2	52-3/4	9-5/8	70	2 FNPT	70	2-1/2 FNPT	72	2 150#	73	3 150#		
C6F12N77M2	60	240	86-1/4	73-1/2	66-3/4	9-5/8	84	2 FNPT	84	2-1/2 FNPT	86	2 150#	87	3 150#		
C6F12N77M4	60	480	86-1/4	73-1/2	66-3/4	9-5/8	84	2 FNPT	84	2-1/2 FNPT	86	2 150#	87	3 150#		
C6F12N88M4	67	480	96-1/4	83-1/2	76-3/4	9-5/8	94	2 FNPT	94	2-1/2 FNPT	96	2 150#	97	3 150#		
C6F12N106M4	76	480	114-1/4	101-1/2	94-3/4	9-5/8	112	2 FNPT	112	2-1/2 FNPT	114	2 150#	115	3 150#		
C6F12N120M4	94	480	128-1/4	115-1/2	108-3/4	9-5/8	126	2 FNPT	126	2-1/2 FNPT	128	2 150#	129	3 150#		
C6F12N140M4	105	480	148-1/4	135-1/2	128-3/4	9-5/8	146	2 FNPT	146	2-1/2 FNPT	148	2 150#	149	3 150#		
C6F12N160M4	121	480	168-1/4	155-1/2	148-3/4	9-5/8	166	2 FNPT	166	2-1/2 FNPT	168	2 150#	169	3 150#		
C6F12N180M4	135	480	188-1/4	175-1/2	168-3/4	9-5/8	186	2 FNPT	186	2-1/2 FNPT	188	2 150#	189	3 150#		
C6F15N18M2	15	240	26-1/4	13-1/2	10	9-5/8	24	2 FNPT	24	2-1/2 FNPT	26	2 150#	27	3 150#		
C6F15N18M4	15	480	26-1/4	13-1/2	10	9-5/8	24	2 FNPT	24	2-1/2 FNPT	26	2 150#	27	3 150#		
C6F15N20M2	19	240	28-1/4	15-1/2	9-1/2	9-5/8	26	2 FNPT	26	2-1/2 FNPT	28	2 150#	29	3 150#		
C6F15N20M4	19	480	28-1/4	15-1/2	9-1/2	9-5/8	26	2 FNPT	26	2-1/2 FNPT	28	2 150#	29	3 150#		
C6F15N25M2	23	240	33-1/4	20-1/2	13-3/4	9-5/8	31	2 FNPT	31	2-1/2 FNPT	33	2 150#	34	3 150#		
C6F15N25M4	23	480	33-1/4	20-1/2	13-3/4	9-5/8	31	2 FNPT	31	2-1/2 FNPT	33	2 150#	34	3 150#		
C6F15N33M2	30	240	41-1/4	28-1/2	21-3/4	9-5/8	39	2 FNPT	39	2-1/2 FNPT	41	2 150#	42	3 150#		
C6F15N33M4	30	480	41-1/4	28-1/2	21-3/4	9-5/8	39	2 FNPT	39	2-1/2 FNPT	41	2 150#	42	3 150#		
C6F15N40M2	38	240	48-1/4	35-1/2	28-3/4	9-5/8	46	2 FNPT	46	2-1/2 FNPT	48	2 150#	49	3 150#		
C6F15N40M4	38	480	48-1/4	35-1/2	28-3/4	9-5/8	46	2 FNPT	46	2-1/2 FNPT	48	2 150#	49	3 150#		
C6F15N48M2	45	240	55-1/4	43-1/2	33-3/4	9-5/8	54	2 FNPT	54	2-1/2 FNPT	56	2 150#	57	3 150#		
C6F15N48M4	45	480	55-1/4	43-1/2	33-3/4	9-5/8	54	2 FNPT	54	2-1/2 FNPT	56	2 150#	57	3 150#		
C6F15N52M2	50	240	60-1/4	47-1/2	40-3/4	9-5/8	58	2 FNPT	58	2-1/2 FNPT	60	2 150#	61	3 150#		
C6F15N52M4	50	480	60-1/4	47-1/2	40-3/4	9-5/8	58	2 FNPT	58	2-1/2 FNPT	60	2 150#	61	3 150#		

Circulation Heaters

Type IC

Diameter (in.): 6

Watt Density (w/sq.in.): 23

GCI Circulation Heater Drawing No. IC-300 Dimensions (Inches) A, B, B1, C, D, E, F, G							D = 4-1/2 E = 8		Nozzles Option 1		Nozzles Option 2		Nozzles Option 3		Nozzles Option 4	
Catalog Number	kW	Volt	A	B	C	F	B1	G1(in.)	B1	G2(in.)	B1	G3(in)	B1	G4(in)		
C6F15N64M2	63	240	72-1/4	59-1/2	52-3/4	9-5/8	70	2 FNPT	70	2-1/2 FNPT	72	2 150#	73	3 150#		
C6F15N64M4	63	480	72-1/4	59-1/2	52-3/4	9-5/8	70	2 FNPT	70	2-1/2 FNPT	72	2 150#	73	3 150#		
C6F15N77M2	75	240	86-1/4	73-1/2	66-3/4	9-5/8	84	2 FNPT	84	2-1/2 FNPT	86	2 150#	87	3 150#		
C6F15N77M4	75	480	86-1/4	73-1/2	66-3/4	9-5/8	84	2 FNPT	84	2-1/2 FNPT	86	2 150#	87	3 150#		
C6F15N88M4	84	480	96-1/4	83-1/2	76-3/4	9-5/8	94	2 FNPT	94	2-1/2 FNPT	96	2 150#	97	3 150#		
C6F15N106M4	95	480	114-1/4	101-1/2	94-3/4	9-5/8	112	2 FNPT	112	2-1/2 FNPT	114	2 150#	115	3 150#		
C6F15N120M4	117	480	128-1/4	115-1/2	108-3/4	9-5/8	126	2 FNPT	126	2-1/2 FNPT	128	2 150#	129	3 150#		
C6F15N140M4	131	480	148-1/4	135-1/2	128-3/4	9-5/8	146	2 FNPT	146	2-1/2 FNPT	148	2 150#	149	3 150#		
C6F15N160M4	151	480	168-1/4	155-1/2	148-3/4	9-5/8	166	2 FNPT	166	2-1/2 FNPT	168	2 150#	169	3 150#		
C6F15N180M4	169	480	188-1/4	175-1/2	168-3/4	9-5/8	186	2 FNPT	186	2-1/2 FNPT	188	2 150#	189	3 150#		

Diameter (in.): 8

Watt Density (w/sq.in.): 23

GCI Circulation Heater Drawing No. IC-300 Dimensions (Inches) A, B, B1, C, D, E, F, G							D = 4-1/2 E = 8-1/2		Nozzles Option 1		Nozzles Option 2		Nozzles Option 3		Nozzles Option 4	
Catalog Number	kW	Volt	A	B	C	F	B1	G1(in.)	B1	G2(in.)	B1	G3(in)	B1	G4(in)		
C8F18N18M2	18	240	26-3/4	13-1/2	9-1/2	11-5/8	24	2 FNPT	25	2-1/2 FNPT	27	2 150#	27	3 150#		
C8F18N18M4	18	480	26-3/4	13-1/2	9-1/2	11-5/8	24	2 FNPT	25	2-1/2 FNPT	27	2 150#	27	3 150#		
C8F18N20M2	23	240	28-3/4	15-1/2	11-1/2	11-5/8	26	2 FNPT	27	2-1/2 FNPT	29	2 150#	29	3 150#		
C8F18N20M4	23	480	28-3/4	15-1/2	11-1/2	11-5/8	26	2 FNPT	27	2-1/2 FNPT	29	2 150#	29	3 150#		
C8F18N25M2	27	240	33-3/4	20-1/2	13-1/4	11-5/8	31	2 FNPT	32	2-1/2 FNPT	34	2 150#	34	3 150#		
C8F18N25M4	27	480	33-3/4	20-1/2	13-1/4	11-5/8	31	2 FNPT	32	2-1/2 FNPT	34	2 150#	34	3 150#		
C8F18N33M2	36	240	41-3/4	28-1/2	21-1/4	11-5/8	39	2 FNPT	40	2-1/2 FNPT	42	2 150#	42	3 150#		
C8F18N33M4	36	480	41-3/4	28-1/2	21-1/4	11-5/8	39	2 FNPT	40	2-1/2 FNPT	42	2 150#	42	3 150#		
C8F18N40M2	45	240	48-3/4	35-1/2	28-1/4	11-5/8	46	2 FNPT	47	2-1/2 FNPT	49	2 150#	49	3 150#		
C8F18N40M4	45	480	48-3/4	35-1/2	28-1/4	11-5/8	46	2 FNPT	47	2-1/2 FNPT	49	2 150#	49	3 150#		
C8F18N48M2	54	240	56-3/4	43-1/2	36-1/4	11-5/8	54	2 FNPT	55	2-1/2 FNPT	57	2 150#	57	3 150#		
C8F18N48M4	54	480	56-3/4	43-1/2	36-1/4	11-5/8	54	2 FNPT	55	2-1/2 FNPT	57	2 150#	57	3 150#		
C8F18N52M2	60	240	61-1/4	47	39-1/4	11-5/8	58	2 FNPT	59	2-1/2 FNPT	60	2 150#	61	3 150#		
C8F18N52M4	60	480	61-1/4	47	39-1/4	11-5/8	58	2 FNPT	59	2-1/2 FNPT	60	2 150#	61	3 150#		
C8F18N64M2	77	240	73-1/4	59	51-1/4	11-5/8	70	2 FNPT	71	2-1/2 FNPT	72	2 150#	73	3 150#		
C8F18N64M4	77	480	73-1/4	59	51-1/4	11-5/8	70	2 FNPT	71	2-1/2 FNPT	72	2 150#	73	3 150#		
C8F18N77M2	90	240	87-1/4	73	65-1/4	11-5/8	84	2 FNPT	85	2-1/2 FNPT	86	2 150#	87	3 150#		
C8F18N77M4	90	480	87-1/4	73	65-1/4	11-5/8	84	2 FNPT	85	2-1/2 FNPT	86	2 150#	87	3 150#		
C8F18N88M4	101	480	97-1/4	83	75-1/4	11-5/8	94	2 FNPT	95	2-1/2 FNPT	96	2 150#	97	3 150#		
C8F18N106M4	114	480	115-1/4	101	93-1/4	11-5/8	112	2 FNPT	113	2-1/2 FNPT	114	2 150#	115	3 150#		
C8F18N120M4	140	480	123-1/4	115	107-1/4	11-5/8	126	2 FNPT	127	2-1/2 FNPT	128	2 150#	129	3 150#		
C8F18N140M4	157	480	149-1/4	135	127-1/4	11-5/8	146	2 FNPT	147	2-1/2 FNPT	148	2 150#	149	3 150#		
C8F18N160M4	181	480	169-1/4	155	147-1/4	11-5/8	166	2 FNPT	167	2-1/2 FNPT	168	2 150#	169	3 150#		
C8F18N180M4	203	480	189-1/4	175	167-1/4	11-5/8	186	2 FNPT	187	2-1/2 FNPT	188	2 150#	189	3 150#		
C8F24N18M2	24	240	26-3/4	13-1/2	9-1/2	11-5/8	24	2 FNPT	25	2-1/2 FNPT	27	2 150#	27	3 150#		
C8F24N18M4	24	480	26-3/4	13-1/2	9-1/2	11-5/8	24	2 FNPT	25	2-1/2 FNPT	27	2 150#	27	3 150#		
C8F24N20M2	30	240	28-3/4	15-1/2	11-1/2	11-5/8	26	2 FNPT	27	2-1/2 FNPT	29	2 150#	29	3 150#		
C8F24N20M4	30	480	28-3/4	15-1/2	11-1/2	11-5/8	26	2 FNPT	27	2-1/2 FNPT	29	2 150#	29	3 150#		
C8F24N25M2	36	240	33-3/4	20-1/2	13-1/4	11-5/8	31	2 FNPT	32	2-1/2 FNPT	34	2 150#	34	3 150#		
C8F24N25M4	36	480	33-3/4	20-1/2	13-1/4	11-5/8	31	2 FNPT	32	2-1/2 FNPT	34	2 150#	34	3 150#		

Circulation Heaters

Type IC

Diameter (in.): 8

Watt Density (w/sq.in.): 23

GCI Circulation Heater Drawing No. IC-300 Dimensions (Inches) A, B, B1, C, D, E, F, G							D = 4-1/2 E = 8-1/2		Nozzles Option 1		Nozzles Option 2		Nozzles Option 3		Nozzles Option 4	
Catalog Number	kW	Volt	A	B	C	F	B1	G1(in.)	B1	G2(in.)	B1	G3(in)	B1	G4(in)		
C8F24N33M2	48	240	41-3/4	28-1/2	21-1/4	11-5/8	39	2 FNPT	40	2-1/2 FNPT	42	2 150#	42	3 150#		
C8F24N33M4	48	480	41-3/4	28-1/2	21-1/4	11-5/8	39	2 FNPT	40	2-1/2 FNPT	42	2 150#	42	3 150#		
C8F24N40M2	60	240	48-3/4	35-1/2	28-1/4	11-5/8	46	2 FNPT	47	2-1/2 FNPT	49	2 150#	49	3 150#		
C8F24N40M4	60	480	48-3/4	35-1/2	28-1/4	11-5/8	46	2 FNPT	47	2-1/2 FNPT	49	2 150#	49	3 150#		
C8F24N48M2	72	240	56-3/4	43-1/2	36-1/4	11-5/8	54	2 FNPT	55	2-1/2 FNPT	57	2 150#	57	3 150#		
C8F24N48M4	72	480	56-3/4	43-1/2	36-1/4	11-5/8	54	2 FNPT	55	2-1/2 FNPT	57	2 150#	57	3 150#		
C8F24N52M2	80	240	61-1/4	47	39-1/4	11-5/8	58	2 FNPT	59	2-1/2 FNPT	60	2 150#	61	3 150#		
C8F24N52M4	80	480	61-1/4	47	39-1/4	11-5/8	58	2 FNPT	59	2-1/2 FNPT	60	2 150#	61	3 150#		
C8F24N64M2	102	240	73-1/4	59	51-1/4	11-5/8	70	2 FNPT	71	2-1/2 FNPT	72	2 150#	73	3 150#		
C8F24N64M4	102	480	73-1/4	59	51-1/4	11-5/8	70	2 FNPT	71	2-1/2 FNPT	72	2 150#	73	3 150#		
C8F24N77M2	120	240	87-1/4	73	65-1/4	11-5/8	84	2 FNPT	85	2-1/2 FNPT	86	2 150#	87	3 150#		
C8F24N77M4	120	480	87-1/4	73	65-1/4	11-5/8	84	2 FNPT	85	2-1/2 FNPT	86	2 150#	87	3 150#		
C8F24N88M4	135	480	97-1/4	83	75-1/4	11-5/8	94	2 FNPT	95	2-1/2 FNPT	96	2 150#	97	3 150#		
C8F24N106M4	151	480	115-1/4	101	93-1/4	11-5/8	112	2 FNPT	113	2-1/2 FNPT	114	2 150#	115	3 150#		
C8F24N120M4	188	480	123-1/4	115	107-1/4	11-5/8	126	2 FNPT	127	2-1/2 FNPT	128	2 150#	129	3 150#		
C8F24N140M4	210	480	149-1/4	135	127-1/4	11-5/8	146	2 FNPT	147	2-1/2 FNPT	148	2 150#	149	3 150#		
C8F24N160M4	242	480	169-1/4	155	147-1/4	11-5/8	166	2 FNPT	167	2-1/2 FNPT	168	2 150#	169	3 150#		
C8F24N180M4	270	480	189-1/4	175	167-1/4	11-5/8	186	2 FNPT	187	2-1/2 FNPT	188	2 150#	189	3 150#		

Diameter (in.): 10

Watt Density (w/sq.in.): 23

GCI Circulation Heater Drawing No. IC-300 Dimensions (Inches) A, B, B1, C, D, E, F, G							D = 6-3/4 E = 10		Nozzles Option 1		Nozzles Option 2		Nozzles Option 3		Nozzles Option 4	
Catalog Number	kW	Volt	A	B	C	F	B1	G1(in.)	B1	G2(in.)	B1	G3(in)	B1	G4(in)		
C10F27N33M4	54	480	49-1/2	30-1/4	31-3/4	15	45	3 150#	46	4 150#	47	6 150#	48	8 150#		
C10F27N52M4	90	480	63-1/4	45-1/4	46-3/4	15	60	3 150#	61	4 150#	62	6 150#	63	8 150#		
C10F27N64M4	115	480	75-1/4	57-1/4	58-3/4	15	72	3 150#	73	4 150#	74	6 150#	75	8 150#		
C10F27N77M4	135	480	89-1/4	71-1/4	72-3/4	15	86	3 150#	87	4 150#	88	6 150#	89	8 150#		
C10F27N88M4	151	480	99-1/4	81-1/4	82-3/4	15	96	3 150#	97	4 150#	98	6 150#	99	8 150#		
C10F27N106M4	170	480	117-1/4	99-1/4	100-3/4	15	114	3 150#	115	4 150#	116	6 150#	117	8 150#		
C10F27N120M4	210	480	131-1/4	113-1/4	114-3/4	15	128	3 150#	129	4 150#	130	6 150#	131	8 150#		
C10F36N33M4	72	480	49-1/2	30-1/4	31-3/4	15	45	3 150#	46	4 150#	47	6 150#	48	8 150#		
C10F36N52M4	120	480	63-1/4	45-1/4	46-3/4	15	60	3 150#	61	4 150#	62	6 150#	63	8 150#		
C10F36N64M4	153	480	75-1/4	57-1/4	58-3/4	15	72	3 150#	73	4 150#	74	6 150#	75	8 150#		
C10F36N77M4	180	480	89-1/4	71-1/4	72-3/4	15	86	3 150#	87	4 150#	88	6 150#	89	8 150#		
C10F36N88M4	202	480	99-1/4	81-1/4	82-3/4	15	96	3 150#	97	4 150#	98	6 150#	99	8 150#		
C10F36N106M4	227	480	117-1/4	99-1/4	100-3/4	15	114	3 150#	115	4 150#	116	6 150#	117	8 150#		
C10F36N120M4	281	480	131-1/4	113-1/4	114-3/4	15	128	3 150#	129	4 150#	130	6 150#	131	8 150#		
C10F36N140M4	315	480	151-1/4	133-1/4	134-3/4	15	149	3 150#	149	4 150#	150	6 150#	151	8 150#		
C10F36N160M4	362	480	171-1/4	153-1/4	154-3/4	15	168	3 150#	169	4 150#	170	6 150#	171	8 150#		
C10F36N180M4	811	480	191-1/4	173-1/4	174-3/4	15	188	3 150#	189	4 150#	190	6 150#	191	8 150#		

Circulation Heaters

Type IC

Diameter (in.): 12

Watt Density (w/sq.in.): 23

GCI Circulation Heater Drawing No. IC-300 Dimensions (Inches) A, B, B1, C, D, E, F, G							D = 6 E = 10		Nozzles Option 1		Nozzles Option 2		Nozzles Option 3		Nozzles Option 4	
Catalog Number	kW	Volt	A	B	C	F	B1	G1(in.)	B1	G2(in.)	B1	G3(in)	B1	G4(in)		
C12F36N33M4	72	480	44-1/4	27	19-1/4	15	42	3 150#	43	4 150#	44	6 150#	45	8 150#		
C12F36N52M4	120	480	63-1/4	46	37-1/4	16	61	3 150#	62	4 150#	63	6 150#	64	8 150#		
C12F36N64M4	153	480	75-1/4	58	49-1/4	16	73	3 150#	74	4 150#	75	6 150#	76	8 150#		
C12F36N77M4	180	480	89-1/4	72	63-1/4	16	92	3 150#	93	4 150#	94	6 150#	95	8 150#		
C12F36N88M4	202	480	99-1/4	82	73-1/4	16	97	3 150#	98	4 150#	99	6 150#	100	8 150#		
C12F36N106M4	227	480	117-1/4	100	91-1/4	16	115	3 150#	116	4 150#	117	6 150#	118	8 150#		
C12F36N120M4	280	480	131-1/4	114	105-1/4	16	129	3 150#	130	4 150#	131	6 150#	132	8 150#		
C12F36N140M4	315	480	151-1/4	134	129-1/4	16	149	3 150#	150	4 150#	151	6 150#	152	8 150#		
C12F36N160M4	362	480	171-1/4	154	145-1/4	16	169	3 150#	170	4 150#	171	6 150#	172	8 150#		
C12F36N180M4	405	480	191-1/4	174	165-1/4	16	189	3 150#	190	4 150#	191	6 150#	192	8 150#		
C12F48N33M4	96	480	44-1/4	27	19-1/4	15	42	3 150#	43	4 150#	44	6 150#	45	8 150#		
C12F48N52M4	160	480	63-1/4	46	37-1/4	16	61	3 150#	62	4 150#	63	6 150#	64	8 150#		
C12F48N64M4	204	480	75-1/4	58	49-1/4	16	73	3 150#	74	4 150#	75	6 150#	76	8 150#		
C12F48N77M4	240	480	89-1/4	72	63-1/4	16	92	3 150#	93	4 150#	94	6 150#	95	8 150#		
C12F48N88M4	268	480	99-1/4	82	73-1/4	16	97	3 150#	98	4 150#	99	6 150#	100	8 150#		
C12F48N106M4	303	480	117-1/4	100	91-1/4	16	115	3 150#	116	4 150#	117	6 150#	118	8 150#		
C12F48N120M4	375	480	131-1/4	114	105-1/4	16	129	3 150#	130	4 150#	131	6 150#	132	8 150#		
C12F48N140M4	414	480	151-1/4	134	129-1/4	16	149	3 150#	150	4 150#	151	6 150#	152	8 150#		
C12F48N160M4	476	480	171-1/4	154	145-1/4	16	169	3 150#	170	4 150#	171	6 150#	172	8 150#		
C12F48N180M4	540	480	191-1/4	174	165-1/4	16	189	3 150#	190	4 150#	191	6 150#	192	8 150#		

Diameter (in.): 14

Watt Density (w/sq.in.): 23

GCI Circulation Heater Drawing No. IC-300 Dimensions (Inches) A, B, B1, C, D, E, F, G							D = 8 E = 10		Nozzles Option 1		Nozzles Option 2		Nozzles Option 3		Nozzles Option 4	
Catalog Number	kW	Volt	A	B	C	F	B1	G1(in.)	B1	G2(in.)	B1	G3(in)	B1	G4(in)		
C14F48N140M4	420	480	151-3/4	134	129-1/4	17	150	3 150#	151	4 150#	152	6 150#	153	8 150#		
C14F48N160M4	483	480	171-1/4	154	145-1/4	17	170	3 150#	171	4 150#	172	6 150#	173	8 150#		
C14F48N180M4	540	480	191-3/4	174	165-1/4	17	190	3 150#	191	4 150#	192	6 150#	193	8 150#		
C14F54N52M4	180	480	63-3/4	46	37-1/4	17	62	3 150#	63	4 150#	64	6 150#	65	8 150#		
C14F54N64M4	230	480	75-3/4	58	49-1/4	17	74	3 150#	75	4 150#	76	6 150#	77	8 150#		
C14F54N77M4	270	480	89-3/4	72	63-1/4	17	87	3 150#	88	4 150#	89	6 150#	90	8 150#		
C14F54N88M4	303	480	99-3/4	82	73-1/4	17	98	3 150#	99	4 150#	100	6 150#	101	8 150#		
C14F54N106M4	340	480	117-3/4	100	91-1/4	17	116	3 150#	117	4 150#	118	6 150#	119	8 150#		
C14F54N120M4	421	480	131-3/4	114	105-1/4	17	130	3 150#	131	4 150#	132	6 150#	133	8 150#		
C14F54N140M4	472	480	151-3/4	134	129-1/4	17	150	3 150#	151	4 150#	152	6 150#	153	8 150#		
C14F54N160M4	542	480	171-1/4	154	145-1/4	17	170	3 150#	171	4 150#	172	6 150#	173	8 150#		
C14F54N180M4	608	480	191-3/4	174	165-1/4	17	190	3 150#	191	4 150#	192	6 150#	193	8 150#		
C14F60N52M4	200	480	63-3/4	46	37-1/4	17	62	3 150#	63	4 150#	64	6 150#	65	8 150#		
C14F60N64M4	255	480	75-3/4	58	49-1/4	17	74	3 150#	75	4 150#	76	6 150#	77	8 150#		
C14F60N77M4	300	480	89-3/4	72	63-1/4	17	87	3 150#	88	4 150#	89	6 150#	90	8 150#		
C14F60N88M4	336	480	99-3/4	82	73-1/4	17	98	3 150#	99	4 150#	100	6 150#	101	8 150#		
C14F60N106M4	378	480	117-3/4	100	91-1/4	17	116	3 150#	117	4 150#	118	6 150#	119	8 150#		
C14F60N120M4	468	480	131-3/4	114	105-1/4	17	130	3 150#	131	4 150#	132	6 150#	133	8 150#		
C14F60N140M4	525	480	151-3/4	134	129-1/4	17	150	3 150#	151	4 150#	152	6 150#	153	8 150#		
C14F60N160M4	603	480	171-1/4	154	145-1/4	17	170	3 150#	171	4 150#	172	6 150#	173	8 150#		

Circulation Heaters

Type IC

Diameter (in.): 14

Watt Density (w/sq.in.): 23

GCI Circulation Heater Drawing No. IC-300 Dimensions (Inches) A, B, B1, C, D, E, F, G							D = 8 E = 10		Nozzles Option 1		Nozzles Option 2		Nozzles Option 3		Nozzles Option 4	
Catalog Number	kW	Volt	A	B	C	F	B1	G1(in.)	B1	G2(in.)	B1	G3(in)	B1	G4(in)		
C14F60N180M4	675	480	191-3/4	174	165-1/4	17	190	3 150#	191	4 150#	192	6 150#	193	8 150#		
C14F72N52M4	240	480	63-3/4	46	37-1/4	17	62	3 150#	63	4 150#	64	6 150#	65	8 150#		
C14F72N64M4	306	480	75-3/4	58	49-1/4	17	74	3 150#	75	4 150#	76	6 150#	77	8 150#		
C14F72N77M4	360	480	89-3/4	72	63-1/4	17	87	3 150#	88	4 150#	89	6 150#	90	8 150#		
C14F72N88M4	403	480	99-3/4	82	73-1/4	17	98	3 150#	99	4 150#	100	6 150#	101	8 150#		
C14F72N106M4	454	480	117-3/4	100	91-1/4	17	116	3 150#	117	4 150#	118	6 150#	119	8 150#		
C14F72N120M4	562	480	131-3/4	114	105-1/4	17	130	3 150#	131	4 150#	132	6 150#	133	8 150#		
C14F72N140M4	630	480	151-3/4	134	129-1/4	17	150	3 150#	151	4 150#	152	6 150#	153	8 150#		
C14F72N160M4	724	480	171-1/4	154	145-1/4	17	170	3 150#	171	4 150#	172	6 150#	173	8 150#		
C14F72N180M4	810	480	191-3/4	174	165-1/4	17	190	3 150#	191	4 150#	192	6 150#	193	8 150#		

Diameter (in.): 16

Watt Density (w/sq.in.): 23

GCI Circulation Heater Drawing No. IC-300 Dimensions (Inches) A, B, B1, C, D, E, F, G							D = 8-1/2 E = 10		Nozzles Option 1		Nozzles Option 2		Nozzles Option 3		Nozzles Option 4	
Catalog Number	kW	Volt	A	B	C	F	B1	G1(in.)	B1	G2(in.)	B1	G3(in)	B1	G4(in)		
C16F84N140M4	735	480	154-1/4	131-1/2	123-1/4	19	148	3 150#	149	4 150#	150	6 150#	151	8 150#		
C16F84N160M4	844	480	174-1/4	151-1/2	143-1/4	19	168	3 150#	169	4 150#	170	6 150#	171	8 150#		
C16F84N180M4	945	480	194-1/4	171-1/2	164-1/4	19	188	3 150#	189	4 150#	190	6 150#	193	8 150#		

Diameter (in.): 18

Watt Density (w/sq.in.): 23

GCI Circulation Heater Drawing No. IC-300 Dimensions (Inches) A, B, B1, C, D, E, F, G							D = 9-1/2 E = 12		Nozzles Option 1		Nozzles Option 2		Nozzles Option 3		Nozzles Option 4	
Catalog Number	kW	Volt	A	B	C	F	B1	G1(in.)	B1	G2(in.)	B1	G3(in)	B1	G4(in)		
C18F108N140M4	945	480	156-1/2	130-1/2	120	21	147	3 150#	148	4 150#	149	6 150#	151	8 150#		
C18F108N160M4	1086	480	176-1/2	150-1/2	140	21	167	3 150#	168	4 150#	169	6 150#	171	8 150#		
C18F108N180M4	1215	480	196-1/2	170-1/2	160	21	187	3 150#	188	4 150#	189	6 150#	191	8 150#		

Diameter (in.): 20

Watt Density (w/sq.in.): 23

GCI Circulation Heater Drawing No. IC-300 Dimensions (Inches) A, B, B1, C, D, E, F, G							D = 9-3/4 E = 12		Nozzles Option 1		Nozzles Option 2		Nozzles Option 3		Nozzles Option 4	
Catalog Number	kW	Volt	A	B	C	F	B1	G1(in.)	B1	G2(in.)	B1	G3(in)	B1	G4(in)		
C20F144N140M4	1260	480	157-1/2	130-1/4	120	23	149	3 150#	150	4 150#	151	6 150#	153	8 150#		
C20F144N160M4	1447	480	177-1/2	150-1/4	140	23	169	3 150#	170	4 150#	171	6 150#	173	8 150#		
C20F144N180M4	1620	480	197-1/2	170-1/4	160	23	189	3 150#	190	4 150#	191	6 150#	193	8 150#		

Diameter (in.): 24

Watt Density (w/sq.in.): 23

GCI Circulation Heater Drawing No. IC-300 Dimensions (Inches) A, B, B1, C, D, E, F, G							D = 10-1/2 E = 12		Nozzles Option 1		Nozzles Option 2		Nozzles Option 3		Nozzles Option 4	
Catalog Number	kW	Volt	A	B	C	F	B1	G1(in.)	B1	G2(in.)	B1	G3(in)	B1	G4(in)		
C24F192N140M4	1680	480	160	129-1/2	119	27	150	6 150#	151	8 150#	152	10 150#	154	12 150#		

Circulation Heaters

Type IC

Diameter (in.): 24

Watt Density (w/sq.in.): 23

GCI Circulation Heater Drawing No. IC-300 Dimensions (Inches) A, B, B1, C, D, E, F, G							D = 10-1/2		Nozzles Option 1		Nozzles Option 2		Nozzles Option 3		Nozzles Option 4	
							E = 12									
Catalog Number	kW	Volt	A	B	C	F	B1	G1(in.)	B1	G2(in.)	B1	G3(in)	B1	G4(in)		
C24F192N160M4	1930	480	180	149-1/2	139	27	170	6 150#	171	8 150#	172	10 150#	174	12 150#		
C24F192N180M4	2160	480	200	169-1/2	159	27	190	6 150#	191	8 150#	192	10 150#	194	12 150#		

Circulation Heaters

Type IC

Watt Density: 20

Diameter (in.): 2.5

Watt Density (w/sq.in.): 20

GCI Circulation Heater Drawing No. IC-300 Dimensions (Inches) A, B, B1, C, D, E, F, G						D = 3 E = N/A		Nozzles Option 1		Nozzles Option 2		Nozzles Option 3		Nozzles Option 4	
Catalog Number	kW	Volt	A	B	C	F	B1	G1(in.)	B1	G2(in.)	B1	G3(in)	B1	G4(in)	
C2F3N18B2Y	2.7	240	24	N/A	N/A	5-1/2	20	1 FNPT	22	2 FNPT	24	1 150#	25	2 150#	
C2F3N18B4Y	2.7	480	24	N/A	N/A	5-1/2	20	1 FNPT	22	2 FNPT	24	1 150#	25	2 150#	
C2F3N20B2Y	2.9	240	26	N/A	N/A	5-1/2	22	1 FNPT	24	2 FNPT	26	1 150#	27	2 150#	
C2F3N20B4Y	2.9	480	26	N/A	N/A	5-1/2	22	1 FNPT	24	2 FNPT	26	1 150#	27	2 150#	
C2F3N25B2Y	4	240	31	N/A	N/A	5-1/2	27	1 FNPT	29	2 FNPT	31	1 150#	32	2 150#	
C2F3N25B4Y	4	480	31	N/A	N/A	5-1/2	27	1 FNPT	29	2 FNPT	31	1 150#	32	2 150#	
C2F3N33B2Y	5	240	39	N/A	N/A	5-1/2	35	1 FNPT	37	2 FNPT	39	1 150#	40	2 150#	
C2F3N33B4Y	5	480	39	N/A	N/A	5-1/2	35	1 FNPT	37	2 FNPT	39	1 150#	40	2 150#	
C2F3N43B2Y	6.7	240	49	N/A	N/A	5-1/2	45	1 FNPT	47	2 FNPT	49	1 150#	50	2 150#	
C2F3N43B4Y	6.7	480	49	N/A	N/A	5-1/2	45	1 FNPT	47	2 FNPT	49	1 150#	50	2 150#	
C2F3N52B2Y	8.3	240	58	N/A	N/A	5-1/2	54	1 FNPT	56	2 FNPT	58	1 150#	59	2 150#	
C2F3N52B4Y	8.3	480	58	N/A	N/A	5-1/2	54	1 FNPT	56	2 FNPT	58	1 150#	59	2 150#	
C2F3N61B2Y	10	240	67	N/A	N/A	5-1/2	63	1 FNPT	65	2 FNPT	67	1 150#	68	2 150#	
C2F3N61B4Y	10	480	67	N/A	N/A	5-1/2	63	1 FNPT	65	2 FNPT	67	1 150#	68	2 150#	
C2F3N88B4Y	15	480	94	N/A	N/A	5-1/2	90	1 FNPT	92	2 FNPT	94	1 150#	95	2 150#	
C2F3N106B4Y	16.7	480	112	N/A	N/A	5-1/2	108	1 FNPT	110	2 FNPT	112	1 150#	113	2 150#	
C2F3N120B4Y	19	480	126	N/A	N/A	5-1/2	122	1 FNPT	124	2 FNPT	126	1 150#	127	2 150#	

Diameter (in.): 3

Watt Density (w/sq.in.): 20

GCI Circulation Heater Drawing No. IC-300 Dimensions (Inches) A, B, B1, C, D, E, F, G						D = 4 E = 6		Nozzles Option 1		Nozzles Option 2		Nozzles Option 3		Nozzles Option 4	
Catalog Number	kW	Volt	A	B	C	F	B1	G1(in.)	B1	G2(in.)	B1	G3(in)	B1	G4(in)	
C3F3N18B2Y	2.7	240	24-1/2	N/A	9	6-1/2	21	1 FNPT	23	2 FNPT	25	1 150#	26	3 150#	
C3F3N18B4Y	2.7	480	24-1/2	N/A	9	6-1/2	21	1 FNPT	23	2 FNPT	25	1 150#	26	3 150#	
C3F3N20B2Y	3.3	240	26-1/2	N/A	11	6-1/2	23	1 FNPT	25	2 FNPT	27	1 150#	28	3 150#	
C3F3N20B4Y	3.3	480	26-1/2	N/A	11	6-1/2	23	1 FNPT	25	2 FNPT	27	1 150#	28	3 150#	
C3F3N25B2Y	4	240	31-1/2	N/A	16	6-1/2	28	1 FNPT	30	2 FNPT	32	1 150#	33	3 150#	
C3F3N25B4Y	4	480	31-1/2	N/A	16	6-1/2	28	1 FNPT	30	2 FNPT	32	1 150#	33	3 150#	
C3F3N33B2Y	5	240	39-1/2	N/A	24	6-1/2	36	1 FNPT	38	2 FNPT	40	1 150#	41	3 150#	
C3F3N33B4Y	5	480	39-1/2	N/A	24	6-1/2	36	1 FNPT	38	2 FNPT	40	1 150#	41	3 150#	
C3F3N43B2Y	6.7	240	49-1/2	N/A	34	6-1/2	46	1 FNPT	48	2 FNPT	50	1 150#	51	3 150#	
C3F3N43B4Y	6.7	480	49-1/2	N/A	34	6-1/2	46	1 FNPT	48	2 FNPT	50	1 150#	51	3 150#	
C3F3N52B2Y	8.3	240	54-1/2	N/A	39	6-1/2	55	1 FNPT	57	2 FNPT	59	1 150#	60	3 150#	
C3F3N52B4Y	8.3	480	54-1/2	N/A	39	6-1/2	55	1 FNPT	57	2 FNPT	59	1 150#	60	3 150#	
C3F3N61B2Y	10	240	67-1/2	N/A	52	6-1/2	64	1 FNPT	66	2 FNPT	68	1 150#	69	3 150#	
C3F3N61B4Y	10	480	67-1/2	N/A	52	6-1/2	64	1 FNPT	66	2 FNPT	68	1 150#	69	3 150#	
C3F3N88B4Y	15	480	94-1/2	N/A	79	6-1/2	91	1 FNPT	93	2 FNPT	95	1 150#	96	3 150#	
C3F3N106B4Y	17	480	112-1/2	N/A	97	6-1/2	109	1 FNPT	111	2 FNPT	113	1 150#	114	3 150#	
C3F3N120B4Y	19	480	126-1/2	N/A	111	6-1/2	123	1 FNPT	125	2 FNPT	127	1 150#	128	3 150#	

Circulation Heaters

Type IC

Diameter (in.): 4

Watt Density (w/sq.in.): 20

GCI Circulation Heater Drawing No. IC-300 Dimensions (Inches) A, B, B1, C, D, E, F, G							D = 4 E = 6		Nozzles Option 1		Nozzles Option 2		Nozzles Option 3		Nozzles Option 4	
Catalog Number	kW	Volt	A	B	C	F	B1	G1(in.)	B1	G2(in.)	B1	G3(in)	B1	G4(in)		
C4F6N18B2Y	5.3	240	25	14	9	7-1/2	22	1 FNPT	23	2 FNPT	25	1 150#	26	3 150#		
C4F6N18B4Y	5.3	480	25	14	9	7-1/2	22	1 FNPT	23	2 FNPT	25	1 150#	26	3 150#		
C4F6N20B2Y	6.7	240	27	16	11	7-1/2	24	1 FNPT	25	2 FNPT	27	1 150#	28	3 150#		
C4F6N20B4Y	6.7	480	27	16	11	7-1/2	24	1 FNPT	25	2 FNPT	27	1 150#	28	3 150#		
C4F6N25B2Y	8	240	32	21	16	7-1/2	29	1 FNPT	30	2 FNPT	32	1 150#	33	3 150#		
C4F6N25B4Y	8	480	32	21	16	7-1/2	29	1 FNPT	30	2 FNPT	32	1 150#	33	3 150#		
C4F6N33B2Y	10	240	40	29	24	7-1/2	37	1 FNPT	38	2 FNPT	40	1 150#	41	3 150#		
C4F6N33B4Y	10	480	40	29	24	7-1/2	37	1 FNPT	38	2 FNPT	40	1 150#	41	3 150#		
C4F6N43B2Y	13	240	50	39	34	7-1/2	47	1 FNPT	48	2 FNPT	50	1 150#	51	3 150#		
C4F6N43B4Y	13	480	50	39	34	7-1/2	47	1 FNPT	48	2 FNPT	50	1 150#	51	3 150#		
C4F6N52B2Y	17	240	55	48	39	7-1/2	56	1 FNPT	57	2 FNPT	59	1 150#	60	3 150#		
C4F6N52B4Y	17	480	59	48	43	7-1/2	56	1 FNPT	57	2 FNPT	59	1 150#	60	3 150#		
C4F6N61B2Y	20	240	68	57	52	7-1/2	65	1 FNPT	66	2 FNPT	68	1 150#	69	3 150#		
C4F6N61B4Y	20	480	68	57	52	7-1/2	65	1 FNPT	66	2 FNPT	68	1 150#	69	3 150#		
C4F6N88B4Y	30	480	95	84	79	7-1/2	93	1 FNPT	94	2 FNPT	96	1 150#	97	3 150#		
C4F6N106B4Y	33	480	113	102	97	7-1/2	110	1 FNPT	111	2 FNPT	113	1 150#	114	3 150#		
C4F6N120B4Y	38	480	127	116	111	7-1/2	124	1 FNPT	125	2 FNPT	127	1 150#	128	3 150#		

Diameter (in.): 5

Watt Density (w/sq.in.): 20

GCI Circulation Heater Drawing No. IC-300 Dimensions (Inches) A, B, B1, C, D, E, F, G							D = 4-1/2 E = 8		Nozzles Option 1		Nozzles Option 2		Nozzles Option 3		Nozzles Option 4	
Catalog Number	kW	Volt	A	B	C	F	B1	G1(in.)	B1	G2(in.)	B1	G3(in)	B1	G4(in)		
C5F6N18B2Y	5.3	240	25-3/4	13-1/2	10	8-1/2	23	2 FNPT	24	2-1/2 FNPT	25	2 150#	26	3 150#		
C5F6N18B4Y	5.3	480	25-3/4	13-1/2	10	8-1/2	23	2 FNPT	24	2-1/2 FNPT	25	2 150#	26	3 150#		
C5F6N20B2Y	6.7	240	27-3/4	15-1/2	9-1/2	8-1/2	25	2 FNPT	26	2-1/2 FNPT	27	2 150#	28	3 150#		
C5F6N20B4Y	6.7	480	27-3/4	15-1/2	9-1/2	8-1/2	25	2 FNPT	26	2-1/2 FNPT	27	2 150#	28	3 150#		
C5F6N25B2Y	8	240	32-3/4	20-1/2	13-3/4	8-1/2	30	2 FNPT	31	2-1/2 FNPT	32	2 150#	33	3 150#		
C5F6N25B4Y	8	480	32-3/4	20-1/2	13-3/4	8-1/2	30	2 FNPT	31	2-1/2 FNPT	32	2 150#	33	3 150#		
C5F6N33B2Y	10	240	40-3/4	28-1/2	21-3/4	8-1/2	38	2 FNPT	39	2-1/2 FNPT	40	2 150#	41	3 150#		
C5F6N33B4Y	10	480	40-3/4	28-1/2	21-3/4	8-1/2	38	2 FNPT	39	2-1/2 FNPT	40	2 150#	41	3 150#		
C5F6N43B2Y	13	240	50-3/4	38-1/2	31-3/4	8-1/2	48	2 FNPT	49	2-1/2 FNPT	50	2 150#	51	3 150#		
C5F6N43B4Y	13	480	50-3/4	38-1/2	31-3/4	8-1/2	48	2 FNPT	49	2-1/2 FNPT	50	2 150#	51	3 150#		
C5F6N52B2Y	17	240	55-3/4	47-1/2	36-3/4	8-1/2	57	2 FNPT	58	2-1/2 FNPT	59	2 150#	60	3 150#		
C5F6N52B4Y	17	480	55-3/4	47-1/2	36-3/4	8-1/2	57	2 FNPT	58	2-1/2 FNPT	59	2 150#	60	3 150#		
C5F6N61B2Y	20	240	68-3/4	56-1/2	49-3/4	8-1/2	66	2 FNPT	67	2-1/2 FNPT	68	2 150#	69	3 150#		
C5F6N61B4Y	20	480	68-3/4	56-1/2	49-3/4	8-1/2	66	2 FNPT	67	2-1/2 FNPT	68	2 150#	69	3 150#		
C5F6N88B4Y	30	480	95-3/4	88-1/2	71-3/4	8-1/2	98	2 FNPT	99	2-1/2 FNPT	100	2 150#	101	3 150#		
C5F6N106B4Y	33	480	113-3/4	101-1/2	94-3/4	8-1/2	111	2 FNPT	112	2-1/2 FNPT	113	2 150#	114	3 150#		
C5F6N120B4Y	38	480	127-3/4	115-1/2	108-3/4	8-1/2	125	2 FNPT	126	2-1/2 FNPT	127	2 150#	128	3 150#		
C5F9N18B2Y	8	240	25-3/4	13-1/2	10	8-1/2	23	2 FNPT	24	2-1/2 FNPT	25	2 150#	26	3 150#		
C5F9N18B4Y	8	480	25-3/4	13-1/2	10	8-1/2	23	2 FNPT	24	2-1/2 FNPT	25	2 150#	26	3 150#		
C5F9N20B2Y	10	240	27-3/4	15-1/2	9-1/2	8-1/2	25	2 FNPT	26	2-1/2 FNPT	27	2 150#	28	3 150#		
C5F9N20B4Y	10	480	27-3/4	15-1/2	9-1/2	8-1/2	25	2 FNPT	26	2-1/2 FNPT	27	2 150#	28	3 150#		
C5F9N25B2Y	12	240	32-3/4	20-1/2	13-3/4	8-1/2	30	2 FNPT	31	2-1/2 FNPT	32	2 150#	33	3 150#		
C5F9N25B4Y	12	480	32-3/4	20-1/2	13-3/4	8-1/2	30	2 FNPT	31	2-1/2 FNPT	32	2 150#	33	3 150#		

Circulation Heaters

Type IC

Diameter (in.): 5

Watt Density (w/sq.in.): 20

GCI Circulation Heater Drawing No. IC-300 Dimensions (Inches) A, B, B1, C, D, E, F, G							D = 4-1/2 E = 8		Nozzles Option 1		Nozzles Option 2		Nozzles Option 3		Nozzles Option 4	
Catalog Number	kW	Volt	A	B	C	F	B1	G1(in.)	B1	G2(in.)	B1	G3(in)	B1	G4(in)		
C5F9N33B2Y	15	240	40-3/4	28-1/2	21-3/4	8-1/2	38	2 FNPT	39	2-1/2 FNPT	40	2 150#	41	3 150#		
C5F9N33B4Y	15	480	40-3/4	28-1/2	21-3/4	8-1/2	38	2 FNPT	39	2-1/2 FNPT	40	2 150#	41	3 150#		
C5F9N43B2Y	20	240	50-3/4	38-1/2	31-3/4	8-1/2	48	2 FNPT	49	2-1/2 FNPT	50	2 150#	51	3 150#		
C5F9N43B4Y	20	480	50-3/4	38-1/2	31-3/4	8-1/2	48	2 FNPT	49	2-1/2 FNPT	50	2 150#	51	3 150#		
C5F9N52B2Y	25	240	55-3/4	47-1/2	36-3/4	8-1/2	57	2 FNPT	58	2-1/2 FNPT	59	2 150#	60	3 150#		
C5F9N52B4Y	25	480	59-3/4	47-1/2	40-3/4	8-1/2	57	2 FNPT	58	2-1/2 FNPT	59	2 150#	60	3 150#		
C5F9N61B2Y	30	240	68-3/4	56-1/2	49-3/4	8-1/2	66	2 FNPT	67	2-1/2 FNPT	68	2 150#	69	3 150#		
C5F9N61B4Y	30	480	68-3/4	56-1/2	49-3/4	8-1/2	66	2 FNPT	67	2-1/2 FNPT	68	2 150#	69	3 150#		
C5F9N88B4Y	45	480	95-3/4	88-1/2	71-3/4	8-1/2	98	2 FNPT	99	2-1/2 FNPT	100	2 150#	101	3 150#		
C5F9N106B4Y	50	480	113-3/4	101-1/2	94-3/4	8-1/2	111	2 FNPT	112	2-1/2 FNPT	113	2 150#	114	3 150#		
C5F9N120B4Y	57	480	127-3/4	115-1/2	108-3/4	8-1/2	125	2 FNPT	126	2-1/2 FNPT	127	2 150#	128	3 150#		

Diameter (in.): 6

Watt Density (w/sq.in.): 20

GCI Circulation Heater Drawing No. IC-300 Dimensions (Inches) A, B, B1, C, D, E, F, G							D = 4-1/2 E = 8		Nozzles Option 1		Nozzles Option 2		Nozzles Option 3		Nozzles Option 4	
Catalog Number	kW	Volt	A	B	C	F	B1	G1(in.)	B1	G2(in.)	B1	G3(in)	B1	G4(in)		
C6F12N18B2Y	10.7	240	26-1/4	13-1/2	10	9-5/8	24	2 FNPT	24	2-1/2 FNPT	26	2 150#	27	3 150#		
C6F12N18B4Y	10.7	480	26-1/4	13-1/2	10	9-5/8	24	2 FNPT	24	2-1/2 FNPT	26	2 150#	27	3 150#		
C6F12N20B2Y	13	240	28-1/4	15-1/2	9-1/2	9-5/8	26	2 FNPT	26	2-1/2 FNPT	28	2 150#	29	3 150#		
C6F12N20B4Y	13	480	28-1/4	15-1/2	9-1/2	9-5/8	26	2 FNPT	26	2-1/2 FNPT	28	2 150#	29	3 150#		
C6F12N25B2Y	16	240	33-1/4	20-1/2	13-3/4	9-5/8	31	2 FNPT	31	2-1/2 FNPT	33	2 150#	34	3 150#		
C6F12N25B4Y	16	480	33-1/4	20-1/2	13-3/4	9-5/8	31	2 FNPT	31	2-1/2 FNPT	33	2 150#	34	3 150#		
C6F12N33B2Y	20	240	41-1/4	28-1/2	21-3/4	9-5/8	39	2 FNPT	39	2-1/2 FNPT	41	2 150#	42	3 150#		
C6F12N33B4Y	20	480	41-1/4	28-1/2	21-3/4	9-5/8	39	2 FNPT	39	2-1/2 FNPT	41	2 150#	42	3 150#		
C6F12N43B2Y	27	240	50-1/4	38-1/2	28-2/4	9-5/8	49	2 FNPT	49	2-1/2 FNPT	51	2 150#	52	3 150#		
C6F12N43B4Y	27	480	50-1/4	38-1/2	28-2/4	9-5/8	49	2 FNPT	49	2-1/2 FNPT	51	2 150#	52	3 150#		
C6F12N52B2Y	33	240	55-1/4	47-1/2	33-3/4	9-5/8	58	2 FNPT	58	2-1/2 FNPT	60	2 150#	61	3 150#		
C6F12N52B4Y	33	480	60-1/4	47-1/2	40-3/4	9-5/8	58	2 FNPT	58	2-1/2 FNPT	60	2 150#	61	3 150#		
C6F12N61B2Y	40	240	69-1/4	56-1/2	49-3/4	9-5/8	67	2 FNPT	67	2-1/2 FNPT	69	2 150#	70	3 150#		
C6F12N61B4Y	40	480	69-1/4	56-1/2	49-3/4	9-5/8	67	2 FNPT	67	2-1/2 FNPT	69	2 150#	70	3 150#		
C6F12N88B4Y	59	480	96-1/4	83-1/2	76-3/4	9-5/8	94	2 FNPT	94	2-1/2 FNPT	96	2 150#	97	3 150#		
C6F12N106B4Y	67	480	114-1/4	101-1/2	94-3/4	9-5/8	112	2 FNPT	112	2-1/2 FNPT	114	2 150#	115	3 150#		
C6F12N120B4Y	76	480	128-1/4	115-1/2	108-3/4	9-5/8	126	2 FNPT	126	2-1/2 FNPT	128	2 150#	129	3 150#		
C6F15N18B2Y	13	240	26-1/4	13-1/2	10	9-5/8	24	2 FNPT	24	2-1/2 FNPT	26	2 150#	27	3 150#		
C6F15N18B4Y	13	480	26-1/4	13-1/2	10	9-5/8	24	2 FNPT	24	2-1/2 FNPT	26	2 150#	27	3 150#		
C6F15N20B2Y	17	240	28-1/4	15-1/2	9-1/2	9-5/8	26	2 FNPT	26	2-1/2 FNPT	28	2 150#	29	3 150#		
C6F15N20B4Y	17	480	28-1/4	15-1/2	9-1/2	9-5/8	26	2 FNPT	26	2-1/2 FNPT	28	2 150#	29	3 150#		
C6F15N25B2Y	20	240	33-1/4	20-1/2	13-3/4	9-5/8	31	2 FNPT	31	2-1/2 FNPT	33	2 150#	34	3 150#		
C6F15N25B4Y	20	480	33-1/4	20-1/2	13-3/4	9-5/8	31	2 FNPT	31	2-1/2 FNPT	33	2 150#	34	3 150#		
C6F15N33B2Y	25	240	41-1/4	28-1/2	21-3/4	9-5/8	39	2 FNPT	39	2-1/2 FNPT	41	2 150#	42	3 150#		
C6F15N33B4Y	25	480	41-1/4	28-1/2	21-3/4	9-5/8	39	2 FNPT	39	2-1/2 FNPT	41	2 150#	42	3 150#		
C6F15N43B2Y	33	240	50-1/4	38-1/2	28-2/4	9-5/8	49	2 FNPT	49	2-1/2 FNPT	51	2 150#	52	3 150#		
C6F15N43B4Y	33	480	50-1/4	38-1/2	28-2/4	9-5/8	49	2 FNPT	49	2-1/2 FNPT	51	2 150#	52	3 150#		
C6F15N52B2Y	42	240	55-1/4	47-1/2	33-3/4	9-5/8	58	2 FNPT	58	2-1/2 FNPT	60	2 150#	61	3 150#		
C6F15N52B4Y	42	480	55-1/4	47-1/2	33-3/4	9-5/8	58	2 FNPT	58	2-1/2 FNPT	60	2 150#	61	3 150#		

Circulation Heaters

Type IC

Diameter (in.): 6

Watt Density (w/sq.in.): 20

GCI Circulation Heater Drawing No. IC-300 Dimensions (Inches) A, B, B1, C, D, E, F, G							D = 4-1/2 E = 8		Nozzles Option 1		Nozzles Option 2		Nozzles Option 3		Nozzles Option 4	
Catalog Number	kW	Volt	A	B	C	F	B1	G1(in.)	B1	G2(in.)	B1	G3(in)	B1	G4(in)		
C6F15N61B2Y	50	240	69-1/4	56-1/2	49-3/4	9-5/8	67	2 FNPT	67	2-1/2 FNPT	69	2 150#	70	3 150#		
C6F15N61B4Y	50	480	69-1/4	56-1/2	49-3/4	9-5/8	67	2 FNPT	67	2-1/2 FNPT	69	2 150#	70	3 150#		
C6F15N88B4Y	74	480	96-1/4	83-1/2	76-3/4	9-5/8	94	2 FNPT	94	2-1/2 FNPT	96	2 150#	97	3 150#		
C6F15N106B4Y	84	480	114-1/4	101-1/2	94-3/4	9-5/8	112	2 FNPT	112	2-1/2 FNPT	114	2 150#	115	3 150#		
C6F15N120B4Y	95	480	128-1/4	115-1/2	108-3/4	9-5/8	126	2 FNPT	126	2-1/2 FNPT	128	2 150#	129	3 150#		

Diameter (in.): 8

Watt Density (w/sq.in.): 20

GCI Circulation Heater Drawing No. IC-300 Dimensions (Inches) A, B, B1, C, D, E, F, G							D = 4-1/2 E = 8-1/2		Nozzles Option 1		Nozzles Option 2		Nozzles Option 3		Nozzles Option 4	
Catalog Number	kW	Volt	A	B	C	F	B1	G1(in.)	B1	G2(in.)	B1	G3(in)	B1	G4(in)		
C8F18N18B2Y	16	240	26-3/4	13-1/2	9-1/2	11-5/8	24	2 FNPT	25	2-1/2 FNPT	27	2 150#	27	3 150#		
C8F18N18B4Y	16	480	26-3/4	13-1/2	9-1/2	11-5/8	24	2 FNPT	25	2-1/2 FNPT	27	2 150#	27	3 150#		
C8F18N20B2Y	20	240	28-3/4	15-1/2	11-1/2	11-5/8	26	2 FNPT	27	2-1/2 FNPT	29	2 150#	29	3 150#		
C8F18N20B4Y	20	480	28-3/4	15-1/2	11-1/2	11-5/8	26	2 FNPT	27	2-1/2 FNPT	29	2 150#	29	3 150#		
C8F18N25B2Y	24	240	33-3/4	20-1/2	13-1/4	11-5/8	31	2 FNPT	32	2-1/2 FNPT	34	2 150#	34	3 150#		
C8F18N25B4Y	24	480	33-3/4	20-1/2	13-1/4	11-5/8	31	2 FNPT	32	2-1/2 FNPT	34	2 150#	34	3 150#		
C8F18N33B2Y	30	240	41-3/4	28-1/2	21-1/4	11-5/8	39	2 FNPT	40	2-1/2 FNPT	42	2 150#	42	3 150#		
C8F18N33B4Y	30	480	41-3/4	28-1/2	21-1/4	11-5/8	39	2 FNPT	40	2-1/2 FNPT	42	2 150#	42	3 150#		
C8F18N43B2Y	40	240	51-3/4	38-1/2	31-1/4	11-5/8	49	2 FNPT	50	2-1/2 FNPT	52	2 150#	52	3 150#		
C8F18N43B4Y	40	480	51-3/4	38-1/2	31-1/4	11-5/8	49	2 FNPT	50	2-1/2 FNPT	52	2 150#	52	3 150#		
C8F18N52B2Y	50	240	56-3/4	47	36-1/4	11-5/8	58	2 FNPT	59	2-1/2 FNPT	60	2 150#	61	3 150#		
C8F18N52B4Y	50	480	61-1/4	47	39-1/4	11-5/8	58	2 FNPT	59	2-1/2 FNPT	60	2 150#	61	3 150#		
C8F18N61B2Y	60	240	70-1/4	56	48-1/4	11-5/8	67	2 FNPT	68	2-1/2 FNPT	69	2 150#	70	3 150#		
C8F18N61B4Y	60	480	70-1/4	56	48-1/4	11-5/8	67	2 FNPT	68	2-1/2 FNPT	69	2 150#	70	3 150#		
C8F18N88B4Y	89	480	97-1/4	83	75-1/4	11-5/8	94	2 FNPT	95	2-1/2 FNPT	96	2 150#	97	3 150#		
C8F18N106B4Y	100	480	115-1/4	101	93-1/4	11-5/8	112	2 FNPT	113	2-1/2 FNPT	114	2 150#	115	3 150#		
C8F18N120B4Y	114	480	123-1/4	115	107-1/4	11-5/8	126	2 FNPT	127	2-1/2 FNPT	128	2 150#	129	3 150#		
C8F24N18B2Y	22	240	26-3/4	13-1/2	9-1/2	11-5/8	24	2 FNPT	25	2-1/2 FNPT	27	2 150#	27	3 150#		
C8F24N18B4Y	22	480	26-3/4	13-1/2	9-1/2	11-5/8	24	2 FNPT	25	2-1/2 FNPT	27	2 150#	27	3 150#		
C8F24N20B2Y	27	240	28-3/4	15-1/2	11-1/2	11-5/8	26	2 FNPT	27	2-1/2 FNPT	29	2 150#	29	3 150#		
C8F24N20B4Y	27	480	28-3/4	15-1/2	11-1/2	11-5/8	26	2 FNPT	27	2-1/2 FNPT	29	2 150#	29	3 150#		
C8F24N25B2Y	32	240	33-3/4	20-1/2	13-1/4	11-5/8	31	2 FNPT	32	2-1/2 FNPT	34	2 150#	34	3 150#		
C8F24N25B4Y	32	480	33-3/4	20-1/2	13-1/4	11-5/8	31	2 FNPT	32	2-1/2 FNPT	34	2 150#	34	3 150#		
C8F24N33B2Y	40	240	41-3/4	28-1/2	21-1/4	11-5/8	39	2 FNPT	40	2-1/2 FNPT	42	2 150#	42	3 150#		
C8F24N33B4Y	40	480	41-3/4	28-1/2	21-1/4	11-5/8	39	2 FNPT	40	2-1/2 FNPT	42	2 150#	42	3 150#		
C8F24N43B2Y	53	240	51-3/4	38-1/2	31-1/4	11-5/8	49	2 FNPT	50	2-1/2 FNPT	52	2 150#	52	3 150#		
C8F24N43B4Y	53	480	51-3/4	38-1/2	31-1/4	11-5/8	49	2 FNPT	50	2-1/2 FNPT	52	2 150#	52	3 150#		
C8F24N52B2Y	67	240	56-3/4	47	36-1/4	11-5/8	58	2 FNPT	59	2-1/2 FNPT	60	2 150#	61	3 150#		
C8F24N52B4Y	67	480	61-1/4	47	39-1/4	11-5/8	58	2 FNPT	59	2-1/2 FNPT	60	2 150#	61	3 150#		
C8F24N61B2Y	80	240	70-1/4	56	48-1/4	11-5/8	67	2 FNPT	68	2-1/2 FNPT	69	2 150#	70	3 150#		
C8F24N61B4Y	80	480	70-1/4	56	48-1/4	11-5/8	67	2 FNPT	68	2-1/2 FNPT	69	2 150#	70	3 150#		
C8F24N88B4Y	118	480	97-1/4	83	75-1/4	11-5/8	94	2 FNPT	95	2-1/2 FNPT	96	2 150#	97	3 150#		
C8F24N106B4Y	133	480	115-1/4	101	93-1/4	11-5/8	112	2 FNPT	113	2-1/2 FNPT	114	2 150#	115	3 150#		
C8F24N120B4Y	151	480	123-1/4	115	107-1/4	11-5/8	126	2 FNPT	127	2-1/2 FNPT	128	2 150#	129	3 150#		

Circulation Heaters

Type IC

Diameter (in.): 10

Watt Density (w/sq.in.): 20

GCI Circulation Heater Drawing No. IC-300 Dimensions (Inches) A, B, B1, C, D, E, F, G							D = 6-3/4 E = 10		Nozzles Option 1		Nozzles Option 2		Nozzles Option 3		Nozzles Option 4	
Catalog Number	kW	Volt	A	B	C	F	B1	G1(in.)	B1	G2(in.)	B1	G3(in)	B1	G4(in)		
C10F27N52B4Y	75	480	63-1/4	45-1/4	46-3/4	15	60	3 150#	61	4 150#	62	6 150#	63	8 150#		
C10F27N61B4Y	90	480	72-1/4	54-1/4	53-3/4	15	69	3 150#	70	4 150#	71	6 150#	72	8 150#		
C10F27N88B4Y	133	480	99-1/4	81-1/4	82-3/4	15	96	3 150#	97	4 150#	98	6 150#	99	8 150#		
C10F27N106B4Y	151	480	117-1/4	99-1/4	100-3/4	15	114	3 150#	115	4 150#	116	6 150#	117	8 150#		
C10F27N120B4Y	171	480	131-1/4	113-1/4	114-3/4	15	128	3 150#	129	4 150#	130	6 150#	131	8 150#		
C10F30N33B4Y	50	480	49-1/2	30-1/4	31-3/4	15	45	3 150#	46	4 150#	47	6 150#	48	8 150#		
C10F30N43B4Y	67	480	59-1/2	40-1/4	41-3/4	15	55	3 150#	56	4 150#	57	6 150#	58	8 150#		
C10F30N52B4Y	83	480	63-1/4	45-1/4	46-3/4	15	60	3 150#	61	4 150#	62	6 150#	63	8 150#		
C10F30N61B4Y	100	480	72-1/4	54-1/4	53-3/4	15	69	3 150#	70	4 150#	71	6 150#	72	8 150#		
C10F30N88B4Y	148	480	99-1/4	81-1/4	82-3/4	15	96	3 150#	97	4 150#	98	6 150#	99	8 150#		
C10F30N106B4Y	167	480	117-1/4	99-1/4	100-3/4	15	114	3 150#	115	4 150#	116	6 150#	117	8 150#		
C10F30N120B4Y	190	480	131-1/4	113-1/4	114-3/4	15	128	3 150#	129	4 150#	130	6 150#	131	8 150#		
C10F36N33B4Y	60	480	49-1/2	30-1/4	31-3/4	15	45	3 150#	46	4 150#	47	6 150#	48	8 150#		
C10F36N43B4Y	80	480	59-1/2	40-1/4	41-3/4	15	55	3 150#	56	4 150#	57	6 150#	58	8 150#		
C10F36N52B4Y	100	480	63-1/4	45-1/4	46-3/4	15	60	3 150#	61	4 150#	62	6 150#	63	8 150#		
C10F36N61B4Y	120	480	72-1/4	54-1/4	53-3/4	15	69	3 150#	70	4 150#	71	6 150#	72	8 150#		
C10F36N88B4Y	178	480	99-1/4	81-1/4	82-3/4	15	96	3 150#	97	4 150#	98	6 150#	99	8 150#		
C10F36N106B4Y	200	480	117-1/4	99-1/4	100-3/4	15	114	3 150#	115	4 150#	116	6 150#	117	8 150#		
C10F36N120B4Y	228	480	131-1/4	113-1/4	114-3/4	15	128	3 150#	129	4 150#	130	6 150#	131	8 150#		

Diameter (in.): 12

Watt Density (w/sq.in.): 20

GCI Circulation Heater Drawing No. IC-300 Dimensions (Inches) A, B, B1, C, D, E, F, G							D = 6 E = 10		Nozzles Option 1		Nozzles Option 2		Nozzles Option 3		Nozzles Option 4	
Catalog Number	kW	Volt	A	B	C	F	B1	G1(in.)	B1	G2(in.)	B1	G3(in)	B1	G4(in)		
C12F36N52B4Y	100	480	63-1/4	46	37-1/4	16	61	3 150#	62	4 150#	63	6 150#	64	8 150#		
C12F36N61B4Y	120	480	72-1/4	55	46-1/4	16	70	3 150#	71	4 150#	72	6 150#	73	8 150#		
C12F36N88B4Y	178	480	99-1/4	82	73-1/4	16	97	3 150#	98	4 150#	99	6 150#	100	8 150#		
C12F36N106B4Y	200	480	117-1/4	100	91-1/4	16	115	3 150#	116	4 150#	117	6 150#	118	8 150#		
C12F36N120B4Y	228	480	131-1/4	114	105-1/4	16	129	3 150#	130	4 150#	131	6 150#	132	8 150#		
C12F48N33B4Y	80	480	44-1/4	27	19-1/4	15	42	3 150#	43	4 150#	44	6 150#	45	8 150#		
C12F48N43B4Y	107	480	54-1/4	37	29-1/4	15	52	3 150#	53	4 150#	54	6 150#	55	8 150#		
C12F48N52B4Y	133	480	63-1/4	46	37-1/4	16	61	3 150#	62	4 150#	63	6 150#	64	8 150#		
C12F48N61B4Y	160	480	72-1/4	55	46-1/4	16	70	3 150#	71	4 150#	72	6 150#	73	8 150#		
C12F48N88B4Y	237	480	99-1/4	82	73-1/4	16	97	3 150#	98	4 150#	99	6 150#	100	8 150#		
C12F48N106B4Y	267	480	117-1/4	100	91-1/4	16	115	3 150#	116	4 150#	117	6 150#	118	8 150#		
C12F48N120B4Y	304	480	131-1/4	114	105-1/4	16	129	3 150#	130	4 150#	131	6 150#	132	8 150#		

Diameter (in.): 14

Watt Density (w/sq.in.): 20

GCI Circulation Heater Drawing No. IC-300 Dimensions (Inches) A, B, B1, C, D, E, F, G							D = 6 E = 10		Nozzles Option 1		Nozzles Option 2		Nozzles Option 3		Nozzles Option 4	
Catalog Number	kW	Volt	A	B	C	F	B1	G1(in.)	B1	G2(in.)	B1	G3(in)	B1	G4(in)		
C14F48N52B4Y	133	480	63-3/4	46	37-1/4	17	62	3 150#	63	4 150#	64	6 150#	65	8 150#		
C14F48N61B4Y	160	480	72-3/4	55	46-1/4	17	71	3 150#	72	4 150#	73	6 150#	74	8 150#		

Circulation Heaters

Type IC

Diameter (in.): 14

Watt Density (w/sq.in.): 20

GCI Circulation Heater Drawing No. IC-300 Dimensions (Inches) A, B, B1, C, D, E, F, G							D = 6 E = 10		Nozzles Option 1		Nozzles Option 2		Nozzles Option 3		Nozzles Option 4	
Catalog Number	kW	Volt	A	B	C	F	B1	G1(in.)	B1	G2(in.)	B1	G3(in)	B1	G4(in)		
C14F48N88B4Y	237	480	99-3/4	82	73-1/4	17	98	3 150#	99	4 150#	100	6 150#	101	8 150#		
C14F48N106B4Y	268	480	117-3/4	100	91-1/4	17	116	3 150#	117	4 150#	118	6 150#	119	8 150#		
C14F48N120B4Y	304	480	131-3/4	114	105-1/4	17	130	3 150#	131	4 150#	132	6 150#	133	8 150#		
C14F54N33B4Y	90	480	44-3/4	27	18-1/4	17	43	3 150#	44	4 150#	45	6 150#	46	8 150#		
C14F54N43B4Y	120	480	54-3/4	37	28-1/4	17	53	3 150#	54	4 150#	55	6 150#	56	8 150#		
C14F54N52B4Y	150	480	63-3/4	46	37-1/4	17	62	3 150#	63	4 150#	64	6 150#	65	8 150#		
C14F54N61B4Y	180	480	72-3/4	55	46-1/4	17	71	3 150#	72	4 150#	73	6 150#	74	8 150#		
C14F54N88B4Y	266	480	99-3/4	82	73-1/4	17	98	3 150#	99	4 150#	100	6 150#	101	8 150#		
C14F54N106B4Y	300	480	117-3/4	100	91-1/4	17	116	3 150#	117	4 150#	118	6 150#	119	8 150#		
C14F54N120B4Y	341	480	131-3/4	114	105-1/4	17	130	3 150#	131	4 150#	132	6 150#	133	8 150#		
C14F60N33B4Y	100	480	44-3/4	27	18-1/4	17	43	3 150#	44	4 150#	45	6 150#	46	8 150#		
C14F60N43B4Y	133	480	54-3/4	37	28-1/4	17	53	3 150#	54	4 150#	55	6 150#	56	8 150#		
C14F60N52B4Y	167	480	63-3/4	46	37-1/4	17	62	3 150#	63	4 150#	64	6 150#	65	8 150#		
C14F60N61B4Y	200	480	72-3/4	55	46-1/4	17	71	3 150#	72	4 150#	73	6 150#	74	8 150#		
C14F60N88B4Y	296	480	99-3/4	82	73-1/4	17	98	3 150#	99	4 150#	100	6 150#	101	8 150#		
C14F60N106B4Y	334	480	117-3/4	100	91-1/4	17	116	3 150#	117	4 150#	118	6 150#	119	8 150#		
C14F60N120B4Y	380	480	131-3/4	114	105-1/4	17	130	3 150#	131	4 150#	132	6 150#	133	8 150#		
C14F72N33B4Y	120	480	44-3/4	27	18-1/4	17	43	3 150#	44	4 150#	45	6 150#	46	8 150#		
C14F72N43B4Y	160	480	54-3/4	37	28-1/4	17	53	3 150#	54	4 150#	55	6 150#	56	8 150#		
C14F72N52B4Y	200	480	63-3/4	46	37-1/4	17	62	3 150#	63	4 150#	64	6 150#	65	8 150#		
C14F72N61B4Y	240	480	72-3/4	55	46-1/4	17	71	3 150#	72	4 150#	73	6 150#	74	8 150#		
C14F72N88B4Y	355	480	99-3/4	82	73-1/4	17	98	3 150#	99	4 150#	100	6 150#	101	8 150#		
C14F72N106B4Y	401	480	117-3/4	100	91-1/4	17	116	3 150#	117	4 150#	118	6 150#	119	8 150#		
C14F72N120B4Y	456	480	131-3/4	114	105-1/4	17	130	3 150#	131	4 150#	132	6 150#	133	8 150#		

Circulation Heaters

Type IC

Watt Density: 15

Diameter (in.): 2.5

Watt Density (w/sq.in.): 15

GCI Circulation Heater Drawing No. IC-300 Dimensions (Inches) A, B, B1, C, D, E, F, G						D = 3 E = N/A		Nozzles Option 1		Nozzles Option 2		Nozzles Option 3		Nozzles Option 4	
Catalog Number	kW	Volt	A	B	C	F	B1	G1(in.)	B1	G2(in.)	B1	G3(in)	B1	G4(in)	
C2F3N13H2Y	1.5	240	19	N/A	N/A	5-1/2	15	1 FNPT	17	2 FNPT	19	1 150#	20	2 150#	
C2F3N13H4Y	1.5	480	19	N/A	N/A	5-1/2	15	1 FNPT	17	2 FNPT	19	1 150#	20	2 150#	
C2F3N18B2D	2	120	24	N/A	N/A	5-1/2	19	1 FNPT	21	2 FNPT	23	1 150#	24	2 150#	
C2F3N18H2Y	2	240	23	N/A	N/A	5-1/2	19	1 FNPT	21	2 FNPT	23	1 150#	24	2 150#	
C2F3N18B4D	2	240	23	N/A	N/A	5-1/2	19	1 FNPT	21	2 FNPT	23	1 150#	24	2 150#	
C2F3N18H4Y	2	480	23	N/A	N/A	5-1/2	19	1 FNPT	21	2 FNPT	23	1 150#	24	2 150#	
C2F3N20B2D	2.2	120	26	N/A	N/A	5-1/2	22	1 FNPT	24	2 FNPT	26	1 150#	27	2 150#	
C2F3N20B4D	2.2	240	26	N/A	N/A	5-1/2	22	1 FNPT	24	2 FNPT	26	1 150#	27	2 150#	
C2F3N20H2Y	2.5	240	26	N/A	N/A	5-1/2	22	1 FNPT	24	2 FNPT	26	1 150#	27	2 150#	
C2F3N20H4Y	2.5	480	26	N/A	N/A	5-1/2	22	1 FNPT	24	2 FNPT	26	1 150#	27	2 150#	
C2F3N25B2D	3	120	31	N/A	N/A	5-1/2	27	1 FNPT	29	2 FNPT	31	1 150#	32	2 150#	
C2F3N25H2Y	3	240	31	N/A	N/A	5-1/2	27	1 FNPT	29	2 FNPT	31	1 150#	32	2 150#	
C2F3N25B4D	3	240	31	N/A	N/A	5-1/2	27	1 FNPT	29	2 FNPT	31	1 150#	32	2 150#	
C2F3N25H4Y	3	480	31	N/A	N/A	5-1/2	27	1 FNPT	29	2 FNPT	31	1 150#	32	2 150#	
C2F3N33B2D	3.8	120	39	N/A	N/A	5-1/2	34	1 FNPT	36	2 FNPT	38	1 150#	39	2 150#	
C2F3N33B4D	3.8	240	38	N/A	N/A	5-1/2	35	1 FNPT	37	2 FNPT	38	1 150#	39	2 150#	
C2F3N33H2Y	4	240	38	N/A	N/A	5-1/2	35	1 FNPT	37	2 FNPT	38	1 150#	39	2 150#	
C2F3N33H4Y	4	480	38	N/A	N/A	5-1/2	35	1 FNPT	37	2 FNPT	38	1 150#	39	2 150#	
C2F3N40H2Y	5	240	46	N/A	N/A	5-1/2	42	1 FNPT	44	2 FNPT	46	1 150#	47	2 150#	
C2F3N43B4D	5	240	46	N/A	N/A	5-1/2	42	1 FNPT	44	2 FNPT	46	1 150#	47	2 150#	
C2F3N40H4Y	5	480	46	N/A	N/A	5-1/2	42	1 FNPT	44	2 FNPT	46	1 150#	47	2 150#	
C2F3N48H2Y	6	240	53	N/A	N/A	5-1/2	50	1 FNPT	52	2 FNPT	54	1 150#	55	2 150#	
C2F3N48H4Y	6	480	53	N/A	N/A	5-1/2	50	1 FNPT	52	2 FNPT	54	1 150#	55	2 150#	
C2F3N52B4D	6.2	240	53	N/A	N/A	5-1/2	54	1 FNPT	55	2 FNPT	57	1 150#	58	2 150#	
C2F3N61B4D	7.5	240	67	N/A	N/A	5-1/2	63	1 FNPT	65	2 FNPT	67	1 150#	68	2 150#	
C2F3N61H2Y	8.3	240	67	N/A	N/A	5-1/2	63	1 FNPT	65	2 FNPT	67	1 150#	68	2 150#	
C2F3N61H4Y	8.3	480	67	N/A	N/A	5-1/2	63	1 FNPT	65	2 FNPT	67	1 150#	68	2 150#	
C2F3N78H2Y	11	240	84	N/A	N/A	5-1/2	80	1 FNPT	82	2 FNPT	84	1 150#	85	2 150#	
C2F3N78H4Y	11	480	84	N/A	N/A	5-1/2	80	1 FNPT	82	2 FNPT	84	1 150#	85	2 150#	
C2F3N88B4D	11.1	240	94	N/A	N/A	5-1/2	90	1 FNPT	92	2 FNPT	94	1 150#	95	2 150#	
C2F3N88H4Y	12.5	480	94	N/A	N/A	5-1/2	90	1 FNPT	92	2 FNPT	94	1 150#	95	2 150#	
C2F3N106B4D	12.6	240	112	N/A	N/A	5-1/2	108	1 FNPT	110	2 FNPT	112	1 150#	113	2 150#	
C2F3N120B4D	14.2	240	126	N/A	N/A	5-1/2	122	1 FNPT	124	2 FNPT	126	1 150#	127	2 150#	
C2F3N140H4Y	17.5	480	146	N/A	N/A	5-1/2	142	1 FNPT	144	2 FNPT	146	1 150#	147	2 150#	
C2F3N160H4Y	20	480	166	N/A	N/A	5-1/2	162	1 FNPT	164	2 FNPT	166	1 150#	167	2 150#	
C2F3N180H4Y	22.5	480	186	N/A	N/A	5-1/2	182	1 FNPT	184	2 FNPT	186	1 150#	187	2 150#	

Diameter (in.): 3

Watt Density (w/sq.in.): 15

GCI Circulation Heater Drawing No. IC-300 Dimensions (Inches) A, B, B1, C, D, E, F, G						D = 4 E = 6		Nozzles Option 1		Nozzles Option 2		Nozzles Option 3		Nozzles Option 4	
Catalog Number	kW	Volt	A	B	C	F	B1	G1(in.)	B1	G2(in.)	B1	G3(in)	B1	G4(in)	
C3F3N13H2Y	1.5	240	19-1/2	N/A	7	6-1/2	16	1 FNPT	18	2 FNPT	20	1 150#	21	3 150#	

Circulation Heaters

Type IC

Diameter (in.): 3

Watt Density (w/sq.in.): 15

GCI Circulation Heater Drawing No. IC-300 Dimensions (Inches) A, B, B1, C, D, E, F, G							D = 4 E = 6		Nozzles Option 1		Nozzles Option 2		Nozzles Option 3		Nozzles Option 4	
Catalog Number	kW	Volt	A	B	C	F	B1	G1(in.)	B1	G2(in.)	B1	G3(in)	B1	G4(in)		
C3F3N13H4Y	1.5	480	19-1/2	N/A	7	6-1/2	16	1 FNPT	18	2 FNPT	20	1 150#	21	3 150#		
C3F3N18H2Y	2	240	24-1/2	N/A	9	6-1/2	21	1 FNPT	23	2 FNPT	25	1 150#	26	3 150#		
C3F3N18H4Y	2	480	24-1/2	N/A	9	6-1/2	21	1 FNPT	23	2 FNPT	25	1 150#	26	3 150#		
C3F3N20H2Y	2.5	240	26-1/2	N/A	11	6-1/2	23	1 FNPT	25	2 FNPT	27	1 150#	28	3 150#		
C3F3N20H4Y	2.5	480	26-1/2	N/A	11	6-1/2	23	1 FNPT	25	2 FNPT	27	1 150#	28	3 150#		
C3F3N25H2Y	3	240	31-1/2	N/A	16	6-1/2	28	1 FNPT	30	2 FNPT	32	1 150#	33	3 150#		
C3F3N25H4Y	3	480	31-1/2	N/A	16	6-1/2	28	1 FNPT	30	2 FNPT	32	1 150#	33	3 150#		
C3F3N33H2Y	4	240	39-1/2	N/A	24	6-1/2	36	1 FNPT	38	2 FNPT	40	1 150#	41	3 150#		
C3F3N33H4Y	4	480	39-1/2	N/A	24	6-1/2	36	1 FNPT	38	2 FNPT	40	1 150#	41	3 150#		
C3F3N40H2Y	5	240	46-1/2	N/A	31	6-1/2	43	1 FNPT	45	2 FNPT	47	1 150#	48	3 150#		
C3F3N40H4Y	5	480	46-1/2	N/A	31	6-1/2	43	1 FNPT	45	2 FNPT	47	1 150#	48	3 150#		
C3F3N48H2Y	6	240	54-1/2	N/A	39	6-1/2	51	1 FNPT	53	2 FNPT	55	1 150#	56	3 150#		
C3F3N48H4Y	6	480	54-1/2	N/A	39	6-1/2	51	1 FNPT	53	2 FNPT	55	1 150#	56	3 150#		
C3F3N61H2Y	8.3	240	67-1/2	N/A	52	6-1/2	64	1 FNPT	66	2 FNPT	68	1 150#	69	3 150#		
C3F3N61H4Y	8.3	480	67-1/2	N/A	52	6-1/2	64	1 FNPT	66	2 FNPT	68	1 150#	69	3 150#		
C3F3N78H2Y	11.1	240	84-1/2	N/A	69	6-1/2	81	1 FNPT	83	2 FNPT	85	1 150#	86	3 150#		
C3F3N78H4Y	11.1	480	84-1/2	N/A	69	6-1/2	81	1 FNPT	83	2 FNPT	85	1 150#	86	3 150#		
C3F3N88H4Y	12.5	480	94-1/2	N/A	79	6-1/2	91	1 FNPT	93	2 FNPT	95	1 150#	96	3 150#		
C3F3N106H4Y	15	480	112-1/2	N/A	97	6-1/2	109	1 FNPT	111	2 FNPT	113	1 150#	114	3 150#		
C3F3N120H4Y	15	480	126-1/2	N/A	111	6-1/2	123	1 FNPT	125	2 FNPT	127	1 150#	128	3 150#		
C3F3N140H4Y	18	480	146-1/2	N/A	131	6-1/2	143	1 FNPT	145	2 FNPT	147	1 150#	148	3 150#		
C3F3N160H4Y	20	480	166-1/2	N/A	151	6-1/2	163	1 FNPT	165	2 FNPT	167	1 150#	168	3 150#		
C3F3N180H4Y	23	480	186-1/2		171	6-1/2	183	1 FNPT	185	2 FNPT	187	1 150#	188	3 150#		

Diameter (in.): 4

Watt Density (w/sq.in.): 15

GCI Circulation Heater Drawing No. IC-300 Dimensions (Inches) A, B, B1, C, D, E, F, G							D = 4 E = 6		Nozzles Option 1		Nozzles Option 2		Nozzles Option 3		Nozzles Option 4	
Catalog Number	kW	Volt	A	B	C	F	B1	G1(in.)	B1	G2(in.)	B1	G3(in)	B1	G4(in)		
C4F6N13H2Y	3	240	20	9	7	7-1/2	17	1 FNPT	18	2 FNPT	20	1 150#	21	3 150#		
C4F6N13H4Y	3	480	20	9	7	7-1/2	17	1 FNPT	18	2 FNPT	20	1 150#	21	3 150#		
C4F6N18H2Y	4	240	25	14	9	7-1/2	22	1 FNPT	23	2 FNPT	25	1 150#	26	3 150#		
C4F6N18B4S	4	480	25	14	9	7-1/2	22	1 FNPT	23	2 FNPT	25	1 150#	26	3 150#		
C4F6N18H4Y	4	480	25	14	9	7-1/2	22	1 FNPT	23	2 FNPT	25	1 150#	26	3 150#		
C4F6N20H2Y	5	240	27	16	11	7-1/2	24	1 FNPT	25	2 FNPT	27	1 150#	28	3 150#		
C4F6N20B4S	5	480	27	16	11	7-1/2	24	1 FNPT	25	2 FNPT	27	1 150#	28	3 150#		
C4F6N20H4Y	5	480	27	16	11	7-1/2	24	1 FNPT	25	2 FNPT	27	1 150#	28	3 150#		
C4F6N25H2Y	6	240	32	21	16	7-1/2	29	1 FNPT	30	2 FNPT	32	1 150#	33	3 150#		
C4F6N25H4Y	6	480	32	21	16	7-1/2	29	1 FNPT	30	2 FNPT	32	1 150#	33	3 150#		
C4F6N25B4S	6	480	32	21	16	7-1/2	29	1 FNPT	30	2 FNPT	32	1 150#	33	3 150#		
C4F6N33B2S	7.5	240	40	29	24	7-1/2	37	1 FNPT	38	2 FNPT	40	1 150#	41	3 150#		
C4F6N33H2Y	8	240	40	29	24	7-1/2	37	1 FNPT	38	2 FNPT	40	1 150#	41	3 150#		
C4F6N33B4S	7.5	480	40	29	24	7-1/2	37	1 FNPT	38	2 FNPT	40	1 150#	41	3 150#		
C4F6N33H4Y	8	480	40	29	24	7-1/2	37	1 FNPT	38	2 FNPT	40	1 150#	41	3 150#		
C4F6N40H2Y	10	240	47	36	31	7-1/2	43	1 FNPT	44	2 FNPT	46	1 150#	47	3 150#		
C4F6N40H4Y	10	480	47	36	31	7-1/2	43	1 FNPT	44	2 FNPT	46	1 150#	47	3 150#		

Circulation Heaters

Type IC

Diameter (in.): 4

Watt Density (w/sq.in.): 15

GCI Circulation Heater Drawing No. IC-300 Dimensions (Inches) A, B, B1, C, D, E, F, G							D = 4 E = 6		Nozzles Option 1		Nozzles Option 2		Nozzles Option 3		Nozzles Option 4	
Catalog Number	kW	Volt	A	B	C	F	B1	G1(in.)	B1	G2(in.)	B1	G3(in)	B1	G4(in)		
C4F6N43B2S	10	240	50	39	34	7-1/2	47	1 FNPT	48	2 FNPT	50	1 150#	51	3 150#		
C4F6N43B4S	10	480	50	39	34	7-1/2	47	1 FNPT	48	2 FNPT	50	1 150#	51	3 150#		
C4F6N48H2Y	12	240	55	44	39	7-1/2	52	1 FNPT	53	2 FNPT	55	1 150#	56	3 150#		
C4F6N48H4Y	12	480	55	44	39	7-1/2	52	1 FNPT	53	2 FNPT	55	1 150#	56	3 150#		
C4F6N52B2S	12.5	240	55	48	39	7-1/2	56	1 FNPT	57	2 FNPT	59	1 150#	60	3 150#		
C4F6N52B4S	12.5	480	55	48	39	7-1/2	56	1 FNPT	57	2 FNPT	59	1 150#	60	3 150#		
C4F6N61B2S	15	240	68	57	52	7-1/2	65	1 FNPT	66	2 FNPT	68	1 150#	69	3 150#		
C4F6N61H2Y	17	240	68	57	52	7-1/2	65	1 FNPT	66	2 FNPT	68	1 150#	69	3 150#		
C4F6N61B4S	15	480	68	57	52	7-1/2	65	1 FNPT	66	2 FNPT	68	1 150#	69	3 150#		
C4F6N61H4Y	17	480	68	57	52	7-1/2	65	1 FNPT	66	2 FNPT	68	1 150#	69	3 150#		
C4F6N78H2Y	22	240	85	74	69	7-1/2	83	1 FNPT	84	2 FNPT	86	1 150#	87	3 150#		
C4F6N78H4Y	22	480	85	74	69	7-1/2	83	1 FNPT	84	2 FNPT	86	1 150#	87	3 150#		
C4F6N88B4S	22	480	95	84	79	7-1/2	93	1 FNPT	94	2 FNPT	96	1 150#	97	3 150#		
C4F6N88B4D	22	480	95	84	79	7-1/2	93	1 FNPT	94	2 FNPT	96	1 150#	97	3 150#		
C4F6N88H4Y	25	480	95	84	79	7-1/2	93	1 FNPT	94	2 FNPT	96	1 150#	97	3 150#		
C4F6N106B4S	25	480	113	102	97	7-1/2	110	1 FNPT	111	2 FNPT	113	1 150#	114	3 150#		
C4F6N106H4Y	28	480	113	102	97	7-1/2	110	1 FNPT	111	2 FNPT	113	1 150#	114	3 150#		
C4F6N106B4D	28	480	113	102	97	7-1/2	110	1 FNPT	111	2 FNPT	113	1 150#	114	3 150#		
C4F6N120B4S	29	480	127	116	111	7-1/2	124	1 FNPT	125	2 FNPT	127	1 150#	128	3 150#		
C4F6N120B4D	29	480	127	116	111	7-1/2	124	1 FNPT	125	2 FNPT	127	1 150#	128	3 150#		
C4F6N120H4Y	30	480	127	116	111	7-1/2	124	1 FNPT	125	2 FNPT	127	1 150#	128	3 150#		
C4F6N140H4Y	35	480	147	136	131	7-1/2	144	1 FNPT	145	2 FNPT	147	1 150#	148	3 150#		
C4F6N160H4Y	40	480	167	156	151	7-1/2	164	1 FNPT	165	2 FNPT	167	1 150#	168	3 150#		
C4F6N180H4Y	45	480	187	176	171	7-1/2	184	1 FNPT	185	2 FNPT	187	1 150#	188	3 150#		

Diameter (in.): 5

Watt Density (w/sq.in.): 15

GCI Circulation Heater Drawing No. IC-300 Dimensions (Inches) A, B, B1, C, D, E, F, G							D = 4-1/2 E = 8		Nozzles Option 1		Nozzles Option 2		Nozzles Option 3		Nozzles Option 4	
Catalog Number	kW	Volt	A	B	C	F	B1	G1(in.)	B1	G2(in.)	B1	G3(in)	B1	G4(in)		
C5F6N13H2Y	3	240	20-3/4	8-1/2	5	8-1/2	18	2 FNPT	19	2-1/2 FNPT	20	2 150#	21	3 150#		
C5F6N13H4Y	3	480	20-3/4	8-1/2	5	8-1/2	18	2 FNPT	19	2-1/2 FNPT	20	2 150#	21	3 150#		
C5F6N18H2Y	4	240	25-3/4	13-1/2	10	8-1/2	23	2 FNPT	24	2-1/2 FNPT	25	2 150#	26	3 150#		
C5F6N18B2S	4	240	25-3/4	13-1/2	10	8-1/2	23	2 FNPT	24	2-1/2 FNPT	25	2 150#	26	3 150#		
C5F6N18H4Y	4	480	25-3/4	13-1/2	10	8-1/2	23	2 FNPT	24	2-1/2 FNPT	25	2 150#	26	3 150#		
C5F6N20B2S	5	240	27-3/4	15-1/2	9-1/2	8-1/2	25	2 FNPT	26	2-1/2 FNPT	27	2 150#	28	3 150#		
C5F6N20H2Y	5	240	27-3/4	15-1/2	9-1/2	8-1/2	25	2 FNPT	26	2-1/2 FNPT	27	2 150#	28	3 150#		
C5F6N20H4Y	5	480	27-3/4	15-1/2	9-1/2	8-1/2	25	2 FNPT	26	2-1/2 FNPT	27	2 150#	28	3 150#		
C5F6N25H2Y	6	240	32-3/4	20-1/2	13-3/4	8-1/2	30	2 FNPT	31	2-1/2 FNPT	32	2 150#	33	3 150#		
C5F6N25B2S	6	240	32-3/4	20-1/2	13-3/4	8-1/2	30	2 FNPT	31	2-1/2 FNPT	32	2 150#	33	3 150#		
C5F6N25H4Y	6	480	32-3/4	20-1/2	13-3/4	8-1/2	30	2 FNPT	31	2-1/2 FNPT	32	2 150#	33	3 150#		
C5F6N33B2S	7.5	240	40-3/4	28-1/2	21-3/4	8-1/2	38	2 FNPT	39	2-1/2 FNPT	40	2 150#	41	3 150#		
C5F6N33H2Y	8	240	40-3/4	28-1/2	21-3/4	8-1/2	38	2 FNPT	39	2-1/2 FNPT	40	2 150#	41	3 150#		
C5F6N33B4S	7.5	480	40-3/4	28-1/2	21-3/4	8-1/2	38	2 FNPT	39	2-1/2 FNPT	40	2 150#	41	3 150#		
C5F6N33H4Y	8	480	40-3/4	28-1/2	21-3/4	8-1/2	38	2 FNPT	39	2-1/2 FNPT	40	2 150#	41	3 150#		
C5F6N40H2Y	10	240	47-3/4	35-1/2	28-3/4	8-1/2	45	2 FNPT	46	2-1/2 FNPT	47	2 150#	48	3 150#		

Circulation Heaters

Type IC

Diameter (in.): 5

Watt Density (w/sq.in.): 15

GCI Circulation Heater Drawing No. IC-300 Dimensions (Inches) A, B, B1, C, D, E, F, G							D = 4-1/2 E = 8		Nozzles Option 1		Nozzles Option 2		Nozzles Option 3		Nozzles Option 4	
Catalog Number	kW	Volt	A	B	C	F	B1	G1(in.)	B1	G2(in.)	B1	G3(in)	B1	G4(in)		
C5F6N40H4Y	10	480	47-3/4	35-1/2	28-3/4	8-1/2	45	2 FNPT	46	2-1/2 FNPT	47	2 150#	48	3 150#		
C5F6N43B2S	10	240	50-3/4	38-1/2	31-3/4	8-1/2	48	2 FNPT	49	2-1/2 FNPT	50	2 150#	51	3 150#		
C5F6N43B4S	10	480	50-3/4	38-1/2	31-3/4	8-1/2	48	2 FNPT	49	2-1/2 FNPT	50	2 150#	51	3 150#		
C5F6N48H2Y	12	240	55-3/4	43-1/2	36-3/4	8-1/2	53	2 FNPT	54	2-1/2 FNPT	55	2 150#	56	3 150#		
C5F6N48H4Y	12	480	55-3/4	43-1/2	36-3/4	8-1/2	53	2 FNPT	54	2-1/2 FNPT	55	2 150#	56	3 150#		
C5F6N52B2S	12.5	240	55-3/4	47-1/2	36-3/4	8-1/2	57	2 FNPT	58	2-1/2 FNPT	59	2 150#	60	3 150#		
C5F6N52B4S	12.5	480	55-3/4	47-1/2	36-3/4	8-1/2	57	2 FNPT	58	2-1/2 FNPT	59	2 150#	60	3 150#		
C5F6N61B2S	15	240	68-3/4	56-1/2	49-3/4	8-1/2	66	2 FNPT	67	2-1/2 FNPT	68	2 150#	69	3 150#		
C5F6N61H2Y	17	240	68-3/4	56-1/2	49-3/4	8-1/2	66	2 FNPT	67	2-1/2 FNPT	68	2 150#	69	3 150#		
C5F6N61B4S	15	480	68-3/4	56-1/2	49-3/4	8-1/2	66	2 FNPT	67	2-1/2 FNPT	68	2 150#	69	3 150#		
C5F6N61H4Y	17	480	68-3/4	56-1/2	49-3/4	8-1/2	66	2 FNPT	67	2-1/2 FNPT	68	2 150#	69	3 150#		
C5F6N78H2Y	22	240	85-3/4	73-1/2	66-3/4	8-1/2	84	2 FNPT	85	2-1/2 FNPT	86	2 150#	87	3 150#		
C5F6N78H4Y	22	480	85-3/4	73-1/2	66-3/4	8-1/2	84	2 FNPT	85	2-1/2 FNPT	86	2 150#	87	3 150#		
C5F6N88B4S	22	480	95-3/4	88-1/2	71-3/4	8-1/2	98	2 FNPT	99	2-1/2 FNPT	100	2 150#	101	3 150#		
C5F6N88H4Y	25	480	95-3/4	88-1/2	71-3/4	8-1/2	98	2 FNPT	99	2-1/2 FNPT	100	2 150#	101	3 150#		
C5F6N106B4D	25	240	113-3/4	101-1/2	94-3/4	8-1/2	111	2 FNPT	112	2-1/2 FNPT	113	2 150#	114	3 150#		
C5F6N106B4S	25	480	113-3/4	101-1/2	94-3/4	8-1/2	111	2 FNPT	112	2-1/2 FNPT	113	2 150#	114	3 150#		
C5F6N106H4Y	28	480	113-3/4	101-1/2	94-3/4	8-1/2	111	2 FNPT	112	2-1/2 FNPT	113	2 150#	114	3 150#		
C5F6N120B4S	29	480	127-3/4	115-1/2	108-3/4	8-1/2	125	2 FNPT	126	2-1/2 FNPT	127	2 150#	128	3 150#		
C5F6N120H4Y	30	480	127-3/4	115-1/2	108-3/4	8-1/2	125	2 FNPT	126	2-1/2 FNPT	127	2 150#	128	3 150#		
C5F6N140H4Y	35	480	147-3/4	135-1/2	128-3/4	8-1/2	145	2 FNPT	146	2-1/2 FNPT	147	2 150#	148	3 150#		
C5F6N160H4Y	40	480	167-3/4	155-1/2	148-3/4	8-1/2	165	2 FNPT	166	2-1/2 FNPT	167	2 150#	168	3 150#		
C5F6N180H4Y	45	480	187-3/4	175-1/2	168-3/4	8-1/2	185	2 FNPT	186	2-1/2 FNPT	187	2 150#	188	3 150#		
C5F9N13H2Y	4.5	240	20-3/4	8-1/2	5	8-1/2	18	2 FNPT	19	2-1/2 FNPT	20	2 150#	21	3 150#		
C5F9N13H4Y	4.5	480	20-3/4	8-1/2	5	8-1/2	18	2 FNPT	19	2-1/2 FNPT	20	2 150#	21	3 150#		
C5F9N18H2Y	6	240	25-3/4	13-1/2	10	8-1/2	23	2 FNPT	24	2-1/2 FNPT	25	2 150#	26	3 150#		
C5F9N18H4Y	6	480	25-3/4	13-1/2	10	8-1/2	23	2 FNPT	24	2-1/2 FNPT	25	2 150#	26	3 150#		
C5F9N20H2Y	7.5	240	27-3/4	15-1/2	9-1/2	8-1/2	25	2 FNPT	26	2-1/2 FNPT	27	2 150#	28	3 150#		
C5F9N20H4Y	7.5	480	27-3/4	15-1/2	9-1/2	8-1/2	25	2 FNPT	26	2-1/2 FNPT	27	2 150#	28	3 150#		
C5F9N25H2Y	9	240	32-3/4	20-1/2	13-3/4	8-1/2	30	2 FNPT	31	2-1/2 FNPT	32	2 150#	33	3 150#		
C5F9N25H4Y	9	480	32-3/4	20-1/2	13-3/4	8-1/2	30	2 FNPT	31	2-1/2 FNPT	32	2 150#	33	3 150#		
C5F9N33H2Y	12	240	40-3/4	28-1/2	21-3/4	8-1/2	38	2 FNPT	39	2-1/2 FNPT	40	2 150#	41	3 150#		
C5F9N33H4Y	12	480	40-3/4	28-1/2	21-3/4	8-1/2	38	2 FNPT	39	2-1/2 FNPT	40	2 150#	41	3 150#		
C5F9N40H2Y	15	240	47-3/4	35-1/2	28-3/4	8-1/2	45	2 FNPT	46	2-1/2 FNPT	47	2 150#	48	3 150#		
C5F9N40H4Y	15	480	47-3/4	35-1/2	28-3/4	8-1/2	45	2 FNPT	46	2-1/2 FNPT	47	2 150#	48	3 150#		
C5F9N48H2Y	18	240	55-3/4	43-1/2	36-3/4	8-1/2	53	2 FNPT	54	2-1/2 FNPT	55	2 150#	56	3 150#		
C5F9N48H4Y	18	480	55-3/4	43-1/2	36-3/4	8-1/2	53	2 FNPT	54	2-1/2 FNPT	55	2 150#	56	3 150#		
C5F9N61H2Y	25	240	68-3/4	56-1/2	49-3/4	8-1/2	66	2 FNPT	67	2-1/2 FNPT	68	2 150#	69	3 150#		
C5F9N61H4Y	25	480	68-3/4	56-1/2	49-3/4	8-1/2	66	2 FNPT	67	2-1/2 FNPT	68	2 150#	69	3 150#		
C5F9N78H2Y	33	240	85-3/4	73-1/2	66-3/4	8-1/2	84	2 FNPT	85	2-1/2 FNPT	86	2 150#	87	3 150#		
C5F9N78H4Y	33	480	85-3/4	73-1/2	66-3/4	8-1/2	84	2 FNPT	85	2-1/2 FNPT	86	2 150#	87	3 150#		
C5F9N88H4Y	38	480	95-3/4	88-1/2	71-3/4	8-1/2	98	2 FNPT	99	2-1/2 FNPT	100	2 150#	101	3 150#		
C5F9N106H4Y	42	480	113-3/4	101-1/2	94-3/4	8-1/2	111	2 FNPT	112	2-1/2 FNPT	113	2 150#	114	3 150#		
C5F9N120H4Y	45	480	127-3/4	115-1/2	108-3/4	8-1/2	125	2 FNPT	126	2-1/2 FNPT	127	2 150#	128	3 150#		
C5F9N140H4Y	53	480	147-3/4	135-1/2	128-3/4	8-1/2	145	2 FNPT	146	2-1/2 FNPT	147	2 150#	148	3 150#		
C5F9N160H4Y	60	480	167-3/4	155-1/2	148-3/4	8-1/2	165	2 FNPT	166	2-1/2 FNPT	167	2 150#	168	3 150#		

Circulation Heaters

Type IC

Diameter (in.): 5

Watt Density (w/sq.in.): 15

GCI Circulation Heater Drawing No. IC-300 Dimensions (Inches) A, B, B1, C, D, E, F, G							D = 4-1/2 E = 8		Nozzles Option 1		Nozzles Option 2		Nozzles Option 3		Nozzles Option 4	
Catalog Number	kW	Volt	A	B	C	F	B1	G1(in.)	B1	G2(in.)	B1	G3(in)	B1	G4(in)		
C5F9N180H4Y	68	480	187-3/4	175-1/2	168-3/4	8-1/2	185	2 FNPT	186	2-1/2 FNPT	187	2 150#	188	3 150#		

Diameter (in.): 6

Watt Density (w/sq.in.): 15

GCI Circulation Heater Drawing No. IC-300 Dimensions (Inches) A, B, B1, C, D, E, F, G							D = 4-1/2 E = 8		Nozzles Option 1		Nozzles Option 2		Nozzles Option 3		Nozzles Option 4	
Catalog Number	kW	Volt	A	B	C	F	B1	G1(in.)	B1	G2(in.)	B1	G3(in)	B1	G4(in)		
C6F12N13H2Y	6	240	21-1/4	8-1/2	5	9-5/8	19	2 FNPT	19	2-1/2 FNPT	21	2 150#	22	3 150#		
C6F12N13H4Y	6	480	21-1/4	8-1/2	5	9-5/8	19	2 FNPT	19	2-1/2 FNPT	21	2 150#	22	3 150#		
C6F12N18H2Y	8	240	26-1/4	13-1/2	10	9-5/8	24	2 FNPT	24	2-1/2 FNPT	26	2 150#	27	3 150#		
C6F12N18B2S	8	240	26-1/4	13-1/2	10	9-5/8	24	2 FNPT	24	2-1/2 FNPT	26	2 150#	27	3 150#		
C6F12N18H4Y	8	480	26-1/4	13-1/2	10	9-5/8	24	2 FNPT	24	2-1/2 FNPT	26	2 150#	27	3 150#		
C6F12N18B4S	8	480	26-1/4	13-1/2	10	9-5/8	24	2 FNPT	24	2-1/2 FNPT	26	2 150#	27	3 150#		
C6F12N20B2S	10	240	28-1/4	15-1/2	9-1/2	9-5/8	26	2 FNPT	26	2-1/2 FNPT	28	2 150#	29	3 150#		
C6F12N20H2Y	10	240	28-1/4	15-1/2	9-1/2	9-5/8	26	2 FNPT	26	2-1/2 FNPT	28	2 150#	29	3 150#		
C6F12N20H4Y	10	480	28-1/4	15-1/2	9-1/2	9-5/8	26	2 FNPT	26	2-1/2 FNPT	28	2 150#	29	3 150#		
C6F12N20B4S	10	480	28-1/4	15-1/2	9-1/2	9-5/8	26	2 FNPT	26	2-1/2 FNPT	28	2 150#	29	3 150#		
C6F12N25B2S	12	240	33-1/4	20-1/2	13-3/4	9-5/8	31	2 FNPT	31	2-1/2 FNPT	33	2 150#	34	3 150#		
C6F12N25H2Y	12	240	33-1/4	20-1/2	13-3/4	9-5/8	31	2 FNPT	31	2-1/2 FNPT	33	2 150#	34	3 150#		
C6F12N25B4S	12	480	33-1/4	20-1/2	13-3/4	9-5/8	31	2 FNPT	31	2-1/2 FNPT	33	2 150#	34	3 150#		
C6F12N25H4Y	12	480	33-1/4	20-1/2	13-3/4	9-5/8	31	2 FNPT	31	2-1/2 FNPT	33	2 150#	34	3 150#		
C6F12N33B2S	15	240	41-1/4	28-1/2	21-3/4	9-5/8	39	2 FNPT	39	2-1/2 FNPT	41	2 150#	42	3 150#		
C6F12N33H2Y	16	240	41-1/4	28-1/2	21-3/4	9-5/8	39	2 FNPT	39	2-1/2 FNPT	41	2 150#	42	3 150#		
C6F12N33B4S	15	480	41-1/4	28-1/2	21-3/4	9-5/8	39	2 FNPT	39	2-1/2 FNPT	41	2 150#	42	3 150#		
C6F12N33H4Y	16	480	41-1/4	28-1/2	21-3/4	9-5/8	39	2 FNPT	39	2-1/2 FNPT	41	2 150#	42	3 150#		
C6F12N40H2Y	20	240	48-1/4	35-1/2	28-3/4	9-5/8	46	2 FNPT	46	2-1/2 FNPT	48	2 150#	49	3 150#		
C6F12N40H4Y	20	480	48-1/4	35-1/2	28-3/4	9-5/8	46	2 FNPT	46	2-1/2 FNPT	48	2 150#	49	3 150#		
C6F12N43B2S	20	240	50-1/4	38-1/2	28-2/4	9-5/8	49	2 FNPT	49	2-1/2 FNPT	51	2 150#	52	3 150#		
C6F12N43B4S	20	480	50-1/4	38-1/2	28-2/4	9-5/8	49	2 FNPT	49	2-1/2 FNPT	51	2 150#	52	3 150#		
C6F12N48H2Y	24	240	55-1/4	43-1/2	33-3/4	9-5/8	54	2 FNPT	54	2-1/2 FNPT	56	2 150#	57	3 150#		
C6F12N48H4Y	24	480	55-1/4	43-1/2	33-3/4	9-5/8	54	2 FNPT	54	2-1/2 FNPT	56	2 150#	57	3 150#		
C6F12N52B2S	25	240	55-1/4	47-1/2	33-3/4	9-5/8	58	2 FNPT	58	2-1/2 FNPT	60	2 150#	61	3 150#		
C6F12N52B4S	25	480	55-1/4	47-1/2	33-3/4	9-5/8	58	2 FNPT	58	2-1/2 FNPT	60	2 150#	61	3 150#		
C6F12N61B2S	30	240	69-1/4	56-1/2	49-3/4	9-5/8	67	2 FNPT	67	2-1/2 FNPT	69	2 150#	70	3 150#		
C6F12N61H2Y	33	240	69-1/4	56-1/2	49-3/4	9-5/8	67	2 FNPT	67	2-1/2 FNPT	69	2 150#	70	3 150#		
C6F12N61B4S	30	480	69-1/4	56-1/2	49-3/4	9-5/8	67	2 FNPT	67	2-1/2 FNPT	69	2 150#	70	3 150#		
C6F12N61H4Y	33	480	69-1/4	56-1/2	49-3/4	9-5/8	67	2 FNPT	67	2-1/2 FNPT	69	2 150#	70	3 150#		
C6F12N78H2Y	45	240	86-1/4	73-1/2	66-3/4	9-5/8	84	2 FNPT	85	2-1/2 FNPT	86	2 150#	87	3 150#		
C6F12N78H4Y	45	480	86-1/4	73-1/2	66-3/4	9-5/8	84	2 FNPT	85	2-1/2 FNPT	86	2 150#	87	3 150#		
C6F12N88B4D	45	240	96-1/4	83-1/2	76-3/4	9-5/8	94	2 FNPT	94	2-1/2 FNPT	96	2 150#	97	3 150#		
C6F12N88H4Y	50	480	96-1/4	83-1/2	76-3/4	9-5/8	94	2 FNPT	94	2-1/2 FNPT	96	2 150#	97	3 150#		
C6F12N106B4S	50	480	114-1/4	101-1/2	94-3/4	9-5/8	112	2 FNPT	112	2-1/2 FNPT	114	2 150#	115	3 150#		
C6F12N106H4Y	56	480	114-1/4	101-1/2	94-3/4	9-5/8	112	2 FNPT	112	2-1/2 FNPT	114	2 150#	115	3 150#		
C6F12N120B4S	57	480	128-1/4	115-1/2	108-3/4	9-5/8	126	2 FNPT	126	2-1/2 FNPT	128	2 150#	129	3 150#		
C6F12N120H4Y	60	480	128-1/4	115-1/2	108-3/4	9-5/8	126	2 FNPT	126	2-1/2 FNPT	128	2 150#	129	3 150#		
C6F12N140H4Y	70	480	148-1/4	135-1/2	128-3/4	9-5/8	146	2 FNPT	146	2-1/2 FNPT	148	2 150#	149	3 150#		

Circulation Heaters

Type IC

Diameter (in.): 6

Watt Density (w/sq.in.): 15

GCI Circulation Heater Drawing No. IC-300 Dimensions (Inches) A, B, B1, C, D, E, F, G							D = 4-1/2 E = 8		Nozzles Option 1		Nozzles Option 2		Nozzles Option 3		Nozzles Option 4	
Catalog Number	kW	Volt	A	B	C	F	B1	G1(in.)	B1	G2(in.)	B1	G3(in)	B1	G4(in)		
C6F12N160H4Y	80	480	168-1/4	155-1/2	148-3/4	9-5/8	166	2 FNPT	166	2-1/2 FNPT	168	2 150#	169	3 150#		
C6F12N180H4Y	90	480	188-1/4	175-1/2	168-3/4	9-5/8	186	2 FNPT	186	2-1/2 FNPT	188	2 150#	189	3 150#		
C6F15N13H2Y	7.5	240	21-1/4	8-1/2	5	9-5/8	19	2 FNPT	19	2-1/2 FNPT	21	2 150#	22	3 150#		
C6F15N13H4Y	7.5	480	21-1/4	8-1/2	5	9-5/8	19	2 FNPT	19	2-1/2 FNPT	21	2 150#	22	3 150#		
C6F15N18H2Y	10	240	26-1/4	13-1/2	10	9-5/8	24	2 FNPT	24	2-1/2 FNPT	26	2 150#	27	3 150#		
C6F15N18H4Y	10	480	26-1/4	13-1/2	10	9-5/8	24	2 FNPT	24	2-1/2 FNPT	26	2 150#	27	3 150#		
C6F15N20H2Y	12.5	240	28-1/4	15-1/2	9-1/2	9-5/8	26	2 FNPT	26	2-1/2 FNPT	28	2 150#	29	3 150#		
C6F15N20H4Y	12.5	480	28-1/4	15-1/2	9-1/2	9-5/8	26	2 FNPT	26	2-1/2 FNPT	28	2 150#	29	3 150#		
C6F15N25H2Y	15	240	33-1/4	20-1/2	13-3/4	9-5/8	31	2 FNPT	31	2-1/2 FNPT	33	2 150#	34	3 150#		
C6F15N25H4Y	15	480	33-1/4	20-1/2	13-3/4	9-5/8	31	2 FNPT	31	2-1/2 FNPT	33	2 150#	34	3 150#		
C6F15N33H2Y	20	240	41-1/4	28-1/2	21-3/4	9-5/8	39	2 FNPT	39	2-1/2 FNPT	41	2 150#	42	3 150#		
C6F15N33H4Y	20	480	41-1/4	28-1/2	21-3/4	9-5/8	39	2 FNPT	39	2-1/2 FNPT	41	2 150#	42	3 150#		
C6F15N40H2Y	25	240	48-1/4	35-1/2	28-3/4	9-5/8	46	2 FNPT	46	2-1/2 FNPT	48	2 150#	49	3 150#		
C6F15N40H4Y	25	480	48-1/4	35-1/2	28-3/4	9-5/8	46	2 FNPT	46	2-1/2 FNPT	48	2 150#	49	3 150#		
C6F15N48H2Y	30	240	55-1/4	43-1/2	33-3/4	9-5/8	54	2 FNPT	54	2-1/2 FNPT	56	2 150#	57	3 150#		
C6F15N48H4Y	30	480	55-1/4	43-1/2	33-3/4	9-5/8	54	2 FNPT	54	2-1/2 FNPT	56	2 150#	57	3 150#		
C6F15N61H2Y	42	240	69-1/4	56-1/2	49-3/4	9-5/8	67	2 FNPT	67	2-1/2 FNPT	69	2 150#	70	3 150#		
C6F15N61H4Y	42	480	69-1/4	56-1/2	49-3/4	9-5/8	67	2 FNPT	67	2-1/2 FNPT	69	2 150#	70	3 150#		
C6F15N78H2Y	56	240	86-1/4	73-1/2	66-3/4	9-5/8	84	2 FNPT	85	2-1/2 FNPT	86	2 150#	87	3 150#		
C6F15N78H4Y	56	480	86-1/4	73-1/2	66-3/4	9-5/8	84	2 FNPT	85	2-1/2 FNPT	86	2 150#	87	3 150#		
C6F15N88H4Y	63	480	96-1/4	83-1/2	76-3/4	9-5/8	94	2 FNPT	94	2-1/2 FNPT	96	2 150#	97	3 150#		
C6F15N106H4Y	70	480	114-1/4	101-1/2	94-3/4	9-5/8	112	2 FNPT	112	2-1/2 FNPT	114	2 150#	115	3 150#		
C6F15N120H4Y	75	480	128-1/4	115-1/2	108-3/4	9-5/8	126	2 FNPT	126	2-1/2 FNPT	128	2 150#	129	3 150#		
C6F15N140H4Y	88	480	148-1/4	135-1/2	128-3/4	9-5/8	146	2 FNPT	146	2-1/2 FNPT	148	2 150#	149	3 150#		
C6F15N160H4Y	101	480	168-1/4	155-1/2	148-3/4	9-5/8	166	2 FNPT	166	2-1/2 FNPT	168	2 150#	169	3 150#		
C6F15N180H4Y	113	480	188-1/4	175-1/2	168-3/4	9-5/8	186	2 FNPT	186	2-1/2 FNPT	188	2 150#	189	3 150#		

Diameter (in.): 8

Watt Density (w/sq.in.): 15

GCI Circulation Heater Drawing No. IC-300 Dimensions (Inches) A, B, B1, C, D, E, F, G							D = 4-1/2 E = 8-1/2		Nozzles Option 1		Nozzles Option 2		Nozzles Option 3		Nozzles Option 4	
Catalog Number	kW	Volt	A	B	C	F	B1	G1(in.)	B1	G2(in.)	B1	G3(in)	B1	G4(in)		
C8F18N13H2Y	9	240	21-3/4	8-1/2	4-1/2	11-5/8	19	2 FNPT	20	2-1/2 FNPT	22	2 150#	22	3 150#		
C8F18N13H4Y	9	480	21-3/4	8-1/2	4-1/2	11-5/8	19	2 FNPT	20	2-1/2 FNPT	22	2 150#	22	3 150#		
C8F18N18B2S	12	240	26-3/4	13-1/2	9-1/2	11-5/8	24	2 FNPT	25	2-1/2 FNPT	27	2 150#	27	3 150#		
C8F18N18H2Y	12	240	26-3/4	13-1/2	9-1/2	11-5/8	24	2 FNPT	25	2-1/2 FNPT	27	2 150#	27	3 150#		
C8F18N18H4Y	12	480	26-3/4	13-1/2	9-1/2	11-5/8	24	2 FNPT	25	2-1/2 FNPT	27	2 150#	27	3 150#		
C8F18N18B4S	12	480	26-3/4	13-1/2	9-1/2	11-5/8	24	2 FNPT	25	2-1/2 FNPT	27	2 150#	27	3 150#		
C8F18N20B2S	15	240	28-3/4	15-1/2	11-1/2	11-5/8	26	2 FNPT	27	2-1/2 FNPT	29	2 150#	29	3 150#		
C8F18N20H2Y	15	240	28-3/4	15-1/2	11-1/2	11-5/8	26	2 FNPT	27	2-1/2 FNPT	29	2 150#	29	3 150#		
C8F18N20H4Y	15	480	28-3/4	15-1/2	11-1/2	11-5/8	26	2 FNPT	27	2-1/2 FNPT	29	2 150#	29	3 150#		
C8F18N20B4S	15	480	28-3/4	15-1/2	11-1/2	11-5/8	26	2 FNPT	27	2-1/2 FNPT	29	2 150#	29	3 150#		
C8F18N25H2Y	18	240	33-3/4	20-1/2	13-1/4	11-5/8	31	2 FNPT	32	2-1/2 FNPT	34	2 150#	34	3 150#		
C8F18N25B2S	18	240	33-3/4	20-1/2	13-1/4	11-5/8	31	2 FNPT	32	2-1/2 FNPT	34	2 150#	34	3 150#		
C8F18N25H4Y	18	480	33-3/4	20-1/2	13-1/4	11-5/8	31	2 FNPT	32	2-1/2 FNPT	34	2 150#	34	3 150#		
C8F18N25B4S	18	480	33-3/4	20-1/2	13-1/4	11-5/8	31	2 FNPT	32	2-1/2 FNPT	34	2 150#	34	3 150#		

Circulation Heaters

Type IC

Diameter (in.): 8

Watt Density (w/sq.in.): 15

GCI Circulation Heater Drawing No. IC-300 Dimensions (Inches) A, B, B1, C, D, E, F, G							D = 4-1/2 E = 8-1/2		Nozzles Option 1		Nozzles Option 2		Nozzles Option 3		Nozzles Option 4	
Catalog Number	kW	Volt	A	B	C	F	B1	G1(in.)	B1	G2(in.)	B1	G3(in)	B1	G4(in)		
C8F18N33B2S	23	240	41-3/4	28-1/2	21-1/4	11-5/8	39	2 FNPT	40	2-1/2 FNPT	42	2 150#	42	3 150#		
C8F18N33H2Y	24	240	41-3/4	28-1/2	21-1/4	11-5/8	39	2 FNPT	40	2-1/2 FNPT	42	2 150#	42	3 150#		
C8F18N33B4S	23	480	41-3/4	28-1/2	21-1/4	11-5/8	39	2 FNPT	40	2-1/2 FNPT	42	2 150#	42	3 150#		
C8F18N33H4Y	24	480	41-3/4	28-1/2	21-1/4	11-5/8	39	2 FNPT	40	2-1/2 FNPT	42	2 150#	42	3 150#		
C8F18N40H2Y	30	240	48-3/4	35-1/2	28-1/4	11-5/8	46	2 FNPT	47	2-1/2 FNPT	49	2 150#	49	3 150#		
C8F18N40H4Y	30	480	48-3/4	35-1/2	28-1/4	11-5/8	46	2 FNPT	47	2-1/2 FNPT	49	2 150#	49	3 150#		
C8F18N43B2S	30	240	51-3/4	38-1/2	31-1/4	11-5/8	49	2 FNPT	50	2-1/2 FNPT	52	2 150#	52	3 150#		
C8F18N43B4S	30	480	51-3/4	38-1/2	31-1/4	11-5/8	49	2 FNPT	50	2-1/2 FNPT	52	2 150#	52	3 150#		
C8F18N48H2Y	36	240	56-3/4	43-1/2	36-1/4	11-5/8	54	2 FNPT	55	2-1/2 FNPT	57	2 150#	57	3 150#		
C8F18N48H4Y	36	480	56-3/4	43-1/2	36-1/4	11-5/8	54	2 FNPT	55	2-1/2 FNPT	57	2 150#	57	3 150#		
C8F18N52B2S	38	240	56-3/4	47	36-1/4	11-5/8	58	2 FNPT	59	2-1/2 FNPT	60	2 150#	61	3 150#		
C8F18N52B4S	38	480	61-1/4	47	39-1/4	11-5/8	58	2 FNPT	59	2-1/2 FNPT	60	2 150#	61	3 150#		
C8F18N61B2S	45	240	70-1/4	56	48-1/4	11-5/8	67	2 FNPT	68	2-1/2 FNPT	69	2 150#	70	3 150#		
C8F18N61B4S	45	480	70-1/4	56	48-1/4	11-5/8	67	2 FNPT	68	2-1/2 FNPT	69	2 150#	70	3 150#		
C8F18N61H4Y	50	480	70-1/4	56	48-1/4	11-5/8	67	2 FNPT	68	2-1/2 FNPT	69	2 150#	70	3 150#		
C8F18N78H4Y	67	480	87-1/4	73	65-1/4	11-5/8	84	2 FNPT	85	2-1/2 FNPT	87	2 150#	88	3 150#		
C8F18N88B4S	67	480	97-1/4	83	75-1/4	11-5/8	94	2 FNPT	95	2-1/2 FNPT	96	2 150#	97	3 150#		
C8F18N88H4Y	75	480	97-1/4	83	75-1/4	11-5/8	94	2 FNPT	95	2-1/2 FNPT	96	2 150#	97	3 150#		
C8F18N106B4D	75	480	115-1/4	101	93-1/4	11-5/8	112	2 FNPT	113	2-1/2 FNPT	114	2 150#	115	3 150#		
C8F18N106B4S	75	480	115-1/4	101	93-1/4	11-5/8	112	2 FNPT	113	2-1/2 FNPT	114	2 150#	115	3 150#		
C8F18N106H4Y	83	480	115-1/4	101	93-1/4	11-5/8	112	2 FNPT	113	2-1/2 FNPT	114	2 150#	115	3 150#		
C8F18N120B4S	85	480	123-1/4	115	107-1/4	11-5/8	126	2 FNPT	127	2-1/2 FNPT	128	2 150#	129	3 150#		
C8F18N120H4Y	90	480	123-1/4	115	107-1/4	11-5/8	126	2 FNPT	127	2-1/2 FNPT	128	2 150#	129	3 150#		
C8F18N140H4Y	105	480	149-1/4	135	127-1/4	11-5/8	146	2 FNPT	147	2-1/2 FNPT	148	2 150#	149	3 150#		
C8F18N160H4Y	121	480	169-1/4	155	147-1/4	11-5/8	166	2 FNPT	167	2-1/2 FNPT	168	2 150#	169	3 150#		
C8F18N180H4Y	135	480	189-1/4	175	167-1/4	11-5/8	186	2 FNPT	187	2-1/2 FNPT	188	2 150#	189	3 150#		
C8F24N13H2Y	12	240	21-3/4	8-1/2	4-1/2	11-5/8	19	2 FNPT	20	2-1/2 FNPT	22	2 150#	22	3 150#		
C8F24N13H4Y	12	480	21-3/4	8-1/2	4-1/2	11-5/8	19	2 FNPT	20	2-1/2 FNPT	22	2 150#	22	3 150#		
C8F24N18B2S	16	240	26-3/4	13-1/2	9-1/2	11-5/8	24	2 FNPT	25	2-1/2 FNPT	27	2 150#	27	3 150#		
C8F24N18H2Y	16	240	26-3/4	13-1/2	9-1/2	11-5/8	24	2 FNPT	25	2-1/2 FNPT	27	2 150#	27	3 150#		
C8F24N18B4S	16	480	26-3/4	13-1/2	9-1/2	11-5/8	24	2 FNPT	25	2-1/2 FNPT	27	2 150#	27	3 150#		
C8F24N18H4Y	16	480	26-3/4	13-1/2	9-1/2	11-5/8	24	2 FNPT	25	2-1/2 FNPT	27	2 150#	27	3 150#		
C8F24N20B2S	20	240	28-3/4	15-1/2	11-1/2	11-5/8	26	2 FNPT	27	2-1/2 FNPT	29	2 150#	29	3 150#		
C8F24N20H2Y	20	240	28-3/4	15-1/2	11-1/2	11-5/8	26	2 FNPT	27	2-1/2 FNPT	29	2 150#	29	3 150#		
C8F24N20B4S	20	480	28-3/4	15-1/2	11-1/2	11-5/8	26	2 FNPT	27	2-1/2 FNPT	29	2 150#	29	3 150#		
C8F24N20H4Y	20	480	28-3/4	15-1/2	11-1/2	11-5/8	26	2 FNPT	27	2-1/2 FNPT	29	2 150#	29	3 150#		
C8F24N25B2S	24	240	33-3/4	20-1/2	13-1/4	11-5/8	31	2 FNPT	32	2-1/2 FNPT	34	2 150#	34	3 150#		
C8F24N25H2Y	24	240	33-3/4	20-1/2	13-1/4	11-5/8	31	2 FNPT	32	2-1/2 FNPT	34	2 150#	34	3 150#		
C8F24N25B4S	24	480	33-3/4	20-1/2	13-1/4	11-5/8	31	2 FNPT	32	2-1/2 FNPT	34	2 150#	34	3 150#		
C8F24N25H4Y	24	480	33-3/4	20-1/2	13-1/4	11-5/8	31	2 FNPT	32	2-1/2 FNPT	34	2 150#	34	3 150#		
C8F24N33B2S	30	240	41-3/4	28-1/2	21-1/4	11-5/8	39	2 FNPT	40	2-1/2 FNPT	42	2 150#	42	3 150#		
C8F24N33H2Y	32	240	41-3/4	28-1/2	21-1/4	11-5/8	39	2 FNPT	40	2-1/2 FNPT	42	2 150#	42	3 150#		
C8F24N33B4S	30	480	41-3/4	28-1/2	21-1/4	11-5/8	39	2 FNPT	40	2-1/2 FNPT	42	2 150#	42	3 150#		
C8F24N33H4Y	32	480	41-3/4	28-1/2	21-1/4	11-5/8	39	2 FNPT	40	2-1/2 FNPT	42	2 150#	42	3 150#		
C8F24N40H2Y	40	240	48-3/4	35-1/2	28-1/4	11-5/8	46	2 FNPT	47	2-1/2 FNPT	49	2 150#	49	3 150#		
C8F24N40H4Y	40	480	48-3/4	35-1/2	28-1/4	11-5/8	46	2 FNPT	47	2-1/2 FNPT	49	2 150#	49	3 150#		

Circulation Heaters

Type IC

Diameter (in.): 8

Watt Density (w/sq.in.): 15

GCI Circulation Heater Drawing No. IC-300 Dimensions (Inches) A, B, B1, C, D, E, F, G							D = 4-1/2 E = 8-1/2		Nozzles Option 1		Nozzles Option 2		Nozzles Option 3		Nozzles Option 4	
Catalog Number	kW	Volt	A	B	C	F	B1	G1(in.)	B1	G2(in.)	B1	G3(in)	B1	G4(in)		
C8F24N43B2S	40	240	51-3/4	38-1/2	31-1/4	11-5/8	49	2 FNPT	50	2-1/2 FNPT	52	2 150#	52	3 150#		
C8F24N43B4S	40	480	51-3/4	38-1/2	31-1/4	11-5/8	49	2 FNPT	50	2-1/2 FNPT	52	2 150#	52	3 150#		
C8F24N48H2Y	48	240	56-3/4	43-1/2	36-1/4	11-5/8	54	2 FNPT	55	2-1/2 FNPT	57	2 150#	57	3 150#		
C8F24N48H4Y	48	480	56-3/4	43-1/2	36-1/4	11-5/8	54	2 FNPT	55	2-1/2 FNPT	57	2 150#	57	3 150#		
C8F24N52B2S	50	240	56-3/4	47	36-1/4	11-5/8	58	2 FNPT	59	2-1/2 FNPT	60	2 150#	61	3 150#		
C8F24N52B4S	50	480	61-1/4	47	39-1/4	11-5/8	58	2 FNPT	59	2-1/2 FNPT	60	2 150#	61	3 150#		
C8F24N61B2S	60	240	70-1/4	56	48-1/4	11-5/8	67	2 FNPT	68	2-1/2 FNPT	69	2 150#	70	3 150#		
C8F24N61H2Y	67	240	70-1/4	56	48-1/4	11-5/8	67	2 FNPT	68	2-1/2 FNPT	69	2 150#	70	3 150#		
C8F24N61B4S	60	480	70-1/4	56	48-1/4	11-5/8	67	2 FNPT	68	2-1/2 FNPT	69	2 150#	70	3 150#		
C8F24N61H4Y	67	480	70-1/4	56	48-1/4	11-5/8	67	2 FNPT	68	2-1/2 FNPT	69	2 150#	70	3 150#		
C8F24N78H2Y	89	240	87-1/4	73	65-1/4	11-5/8	84	2 FNPT	85	2-1/2 FNPT	87	2 150#	88	3 150#		
C8F24N78H4Y	89	480	87-1/4	73	65-1/4	11-5/8	84	2 FNPT	85	2-1/2 FNPT	87	2 150#	88	3 150#		
C8F24N88B4S	89	480	97-1/4	83	75-1/4	11-5/8	94	2 FNPT	95	2-1/2 FNPT	96	2 150#	97	3 150#		
C8F24N88H4Y	100	480	97-1/4	83	75-1/4	11-5/8	94	2 FNPT	95	2-1/2 FNPT	96	2 150#	97	3 150#		
C8F24N106B4S	100	480	115-1/4	101	93-1/4	11-5/8	112	2 FNPT	113	2-1/2 FNPT	114	2 150#	115	3 150#		
C8F24N106H4Y	111	480	115-1/4	101	93-1/4	11-5/8	112	2 FNPT	113	2-1/2 FNPT	114	2 150#	115	3 150#		
C8F24N120B4S	114	480	123-1/4	115	107-1/4	11-5/8	126	2 FNPT	127	2-1/2 FNPT	128	2 150#	129	3 150#		
C8F24N120H4Y	120	480	123-1/4	115	107-1/4	11-5/8	126	2 FNPT	127	2-1/2 FNPT	128	2 150#	129	3 150#		
C8F24N140H4Y	140	480	149-1/4	135	127-1/4	11-5/8	146	2 FNPT	147	2-1/2 FNPT	148	2 150#	149	3 150#		
C8F24N160H4Y	161	480	169-1/4	155	147-1/4	11-5/8	166	2 FNPT	167	2-1/2 FNPT	168	2 150#	169	3 150#		
C8F24N180H4Y	180	480	189-1/4	175	167-1/4	11-5/8	186	2 FNPT	187	2-1/2 FNPT	188	2 150#	189	3 150#		

Diameter (in.): 10

Watt Density (w/sq.in.): 15

GCI Circulation Heater Drawing No. IC-300 Dimensions (Inches) A, B, B1, C, D, E, F, G							D = 6-3/4 E = 10		Nozzles Option 1		Nozzles Option 2		Nozzles Option 3		Nozzles Option 4	
Catalog Number	kW	Volt	A	B	C	F	B1	G1(in.)	B1	G2(in.)	B1	G3(in)	B1	G4(in)		
C10F30N33B4S	38	480	49-1/2	30-1/4	31-3/4	15	45	3 150#	46	4 150#	47	6 150#	48	8 150#		
C10F30N43B4S	50	480	59-1/2	40-1/4	41-3/4	15	55	3 150#	56	4 150#	57	6 150#	58	8 150#		
C10F30N52B4S	63	480	63-1/4	45-1/4	46-3/4	15	60	3 150#	61	4 150#	62	6 150#	63	8 150#		
C10F30N61B4S	75	480	72-1/4	54-1/4	53-3/4	15	69	3 150#	70	4 150#	71	6 150#	72	8 150#		
C10F30N88B4S	111	480	99-1/4	81-1/4	82-3/4	15	96	3 150#	97	4 150#	98	6 150#	99	8 150#		
C10F30N106B4S	125	480	117-1/4	99-1/4	100-3/4	15	114	3 150#	115	4 150#	116	6 150#	117	8 150#		
C10F30N120B4S	142	480	131-1/4	113-1/4	114-3/4	15	128	3 150#	129	4 150#	130	6 150#	131	8 150#		
C10F36N33B4S	45	480	49-1/2	30-1/4	31-3/4	15	45	3 150#	46	4 150#	47	6 150#	48	8 150#		
C10F36N33H4Y	48	480	49-1/2	30-1/4	31-3/4	15	45	3 150#	46	4 150#	47	6 150#	48	8 150#		
C10F36N43B4S	60	480	59-1/2	40-1/4	41-3/4	15	55	3 150#	56	4 150#	57	6 150#	58	8 150#		
C10F36N52H4Y	72	480	63-1/4	45-1/4	46-3/4	15	60	3 150#	61	4 150#	62	6 150#	63	8 150#		
C10F36N52B4S	75	480	63-1/4	45-1/4	46-3/4	15	60	3 150#	61	4 150#	62	6 150#	63	8 150#		
C10F36N61B4S	90	480	72-1/4	54-1/4	53-3/4	15	69	3 150#	70	4 150#	71	6 150#	72	8 150#		
C10F36N61H4Y	100	480	72-1/4	54-1/4	53-3/4	15	69	3 150#	70	4 150#	71	6 150#	72	8 150#		
C10F36N78H4Y	133	480	89-1/4	71-1/4	72-3/4	15	86	3 150#	86	4 150#	87	6 150#	88	8 150#		
C10F36N88B4S	133	480	99-1/4	81-1/4	82-3/4	15	96	3 150#	97	4 150#	98	6 150#	99	8 150#		
C10F36N88H4Y	150	480	99-1/4	81-1/4	82-3/4	15	96	3 150#	97	4 150#	98	6 150#	99	8 150#		
C10F36N106B4S	150	480	117-1/4	99-1/4	100-3/4	15	114	3 150#	115	4 150#	116	6 150#	117	8 150#		
C10F36N106H4Y	167	480	117-1/4	99-1/4	100-3/4	15	114	3 150#	115	4 150#	116	6 150#	117	8 150#		

Circulation Heaters

Type IC

Diameter (in.): 10

Watt Density (w/sq.in.): 15

GCI Circulation Heater Drawing No. IC-300 Dimensions (Inches) A, B, B1, C, D, E, F, G							D = 6-3/4 E = 10		Nozzles Option 1		Nozzles Option 2		Nozzles Option 3		Nozzles Option 4	
Catalog Number	kW	Volt	A	B	C	F	B1	G1(in.)	B1	G2(in.)	B1	G3(in)	B1	G4(in)		
C10F36N120B4S	171	480	131-1/4	113-1/4	114-3/4	15	128	3 150#	129	4 150#	130	6 150#	131	8 150#		
C10F36N120H4Y	180	480	131-1/4	113-1/4	114-3/4	15	128	3 150#	129	4 150#	130	6 150#	131	8 150#		
C10F36N140H4Y	210	480	151-1/4	133-1/4	134-3/4	15	148	3 150#	149	4 150#	150	6 150#	151	8 150#		
C10F36N160H4Y	241	480	171-1/4	153-1/4	154-3/4	15	168	3 150#	169	4 150#	170	6 150#	171	8 150#		
C10F36N180H4Y	270	480	191-1/4	173-1/4	174-3/4	15	188	3 150#	189	4 150#	190	6 150#	191	8 150#		

Diameter (in.): 12

Watt Density (w/sq.in.): 15

GCI Circulation Heater Drawing No. IC-300 Dimensions (Inches) A, B, B1, C, D, E, F, G							D = 6 E = 10		Nozzles Option 1		Nozzles Option 2		Nozzles Option 3		Nozzles Option 4	
Catalog Number	kW	Volt	A	B	C	F	B1	G1(in.)	B1	G2(in.)	B1	G3(in)	B1	G4(in)		
C12F36N33B4S	45	480	44-1/4	27	19-1/4	15	42	3 150#	43	4 150#	44	6 150#	45	8 150#		
C12F36N43B4S	60	480	54-1/4	37	29-1/4	15	52	3 150#	53	4 150#	54	6 150#	55	8 150#		
C12F36N52B4S	75	480	63-1/4	46	37-1/4	16	61	3 150#	62	4 150#	63	6 150#	64	8 150#		
C12F36N61B4S	90	480	72-1/4	55	46-1/4	16	70	3 150#	71	4 150#	72	6 150#	73	8 150#		
C12F36N88B4S	133	480	99-1/4	82	73-1/4	16	97	3 150#	98	4 150#	99	6 150#	100	8 150#		
C12F36N106B4S	150	480	117-1/4	100	91-1/4	16	115	3 150#	116	4 150#	117	6 150#	118	8 150#		
C12F36N120B4S	171	480	131-1/4	114	105-1/4	16	129	3 150#	130	4 150#	131	6 150#	132	8 150#		
C12F48N33B4S	60	480	44-1/4	27	19-1/4	15	42	3 150#	43	4 150#	44	6 150#	45	8 150#		
C12F48N33H4Y	64	480	44-1/4	27	19-1/4	15	42	3 150#	43	4 150#	44	6 150#	45	8 150#		
C12F48N43B4S	80	480	54-1/4	37	29-1/4	15	52	3 150#	53	4 150#	54	6 150#	55	8 150#		
C12F48N52H4Y	96	480	63-1/4	46	37-1/4	16	61	3 150#	62	4 150#	63	6 150#	64	8 150#		
C12F48N52B4S	100	480	63-1/4	46	37-1/4	16	61	3 150#	62	4 150#	63	6 150#	64	8 150#		
C12F48N61B4S	120	480	72-1/4	55	46-1/4	16	70	3 150#	71	4 150#	72	6 150#	73	8 150#		
C12F48N61H4Y	133	480	72-1/4	55	46-1/4	16	70	3 150#	71	4 150#	72	6 150#	73	8 150#		
C12F48N78H4Y	178	480	89-1/4	72	63-1/4	16	87	3 150#	88	4 150#	89	6 150#	90	8 150#		
C12F48N88B4S	178	480	99-1/4	82	73-1/4	16	97	3 150#	98	4 150#	99	6 150#	100	8 150#		
C12F48N88H4Y	200	480	99-1/4	82	73-1/4	16	97	3 150#	98	4 150#	99	6 150#	100	8 150#		
C12F48N106B4S	200	480	117-1/4	100	91-1/4	16	115	3 150#	116	4 150#	117	6 150#	118	8 150#		
C12F48N106H4Y	222	480	117-1/4	100	91-1/4	16	115	3 150#	116	4 150#	117	6 150#	118	8 150#		
C12F48N120B4S	228	480	131-1/4	114	105-1/4	16	129	3 150#	130	4 150#	131	6 150#	132	8 150#		
C12F48N120H4Y	240	480	131-1/4	114	105-1/4	16	129	3 150#	130	4 150#	131	6 150#	132	8 150#		
C12F48N140H4Y	280	480	151-1/4	134	129-1/4	16	149	3 150#	150	4 150#	151	6 150#	152	8 150#		
C12F48N160H4Y	321	480	171-1/4	154	145-1/4	16	169	3 150#	170	4 150#	171	6 150#	172	8 150#		
C12F48N180H4Y	360	480	191-1/4	174	165-1/4	16	189	3 150#	190	4 150#	191	6 150#	192	8 150#		

Diameter (in.): 14

Watt Density (w/sq.in.): 15

GCI Circulation Heater Drawing No. IC-300 Dimensions (Inches) A, B, B1, C, D, E, F, G							D = 6 E = 10		Nozzles Option 1		Nozzles Option 2		Nozzles Option 3		Nozzles Option 4	
Catalog Number	kW	Volt	A	B	C	F	B1	G1(in.)	B1	G2(in.)	B1	G3(in)	B1	G4(in)		
C14F48N52B4S	100	480	63-3/4	46	37-1/4	17	62	3 150#	63	4 150#	64	6 150#	65	8 150#		
C14F48N61B4S	120	480	72-3/4	55	46-1/4	17	71	3 150#	72	4 150#	73	6 150#	74	8 150#		
C14F48N88B4S	178	480	99-3/4	82	73-1/4	17	98	3 150#	99	4 150#	100	6 150#	101	8 150#		
C14F48N106B4S	200	480	117-3/4	100	91-1/4	17	116	3 150#	117	4 150#	118	6 150#	119	8 150#		

Circulation Heaters

Type IC

Diameter (in.): 14

Watt Density (w/sq.in.): 15

GCI Circulation Heater Drawing No. IC-300 Dimensions (Inches) A, B, B1, C, D, E, F, G						D = 6		Nozzles Option 1		Nozzles Option 2		Nozzles Option 3		Nozzles Option 4	
						E = 10									
Catalog Number	kW	Volt	A	B	C	F	B1	G1(in.)	B1	G2(in.)	B1	G3(in)	B1	G4(in)	
C14F48N120B4S	228	480	131-3/4	114	105-1/4	17	130	3 150#	131	4 150#	132	6 150#	133	8 150#	
C14F54N33B4S	68	480	44-3/4	27	18-1/4	17	43	3 150#	44	4 150#	45	6 150#	46	8 150#	
C14F54N33H4Y	72	480	44-3/4	27	18-1/4	17	43	3 150#	44	4 150#	45	6 150#	46	8 150#	
C14F54N43B4S	90	480	54-3/4	37	28-1/4	17	53	3 150#	54	4 150#	55	6 150#	56	8 150#	
C14F54N52H4Y	108	480	63-3/4	46	37-1/4	17	62	3 150#	63	4 150#	64	6 150#	65	8 150#	
C14F54N52B4S	113	480	63-3/4	46	37-1/4	17	62	3 150#	63	4 150#	64	6 150#	65	8 150#	
C14F54N61B4S	135	480	72-3/4	55	46-1/4	17	71	3 150#	72	4 150#	73	6 150#	74	8 150#	
C14F54N61H4Y	150	480	72-3/4	55	46-1/4	17	71	3 150#	72	4 150#	73	6 150#	74	8 150#	
C14F54N78H4Y	200	480	89-3/4	72	63-1/4	17	88	3 150#	89	4 150#	90	6 150#	91	8 150#	
C14F54N88B4S	200	480	99-3/4	82	73-1/4	17	98	3 150#	99	4 150#	100	6 150#	101	8 150#	
C14F54N88H4Y	225	480	99-3/4	82	73-1/4	17	98	3 150#	99	4 150#	100	6 150#	101	8 150#	
C14F54N106B4S	225	480	117-3/4	100	91-1/4	17	116	3 150#	117	4 150#	118	6 150#	119	8 150#	
C14F54N106H4Y	250	480	117-3/4	100	91-1/4	17	116	3 150#	117	4 150#	118	6 150#	119	8 150#	
C14F54N120B4S	256	480	131-3/4	114	105-1/4	17	130	3 150#	131	4 150#	132	6 150#	133	8 150#	
C14F54N120H4Y	270	480	131-3/4	114	105-1/4	17	130	3 150#	131	4 150#	132	6 150#	133	8 150#	
C14F54N140H4Y	315	480	151-3/4	134	129-1/4	17	150	3 150#	151	4 150#	152	6 150#	153	8 150#	
C14F54N160H4Y	362	480	171-3/4	154	145-1/4	17	170	3 150#	171	4 150#	172	6 150#	173	8 150#	
C14F54N180H4Y	405	480	191-3/4	174	165-1/4	17	190	3 150#	191	4 150#	192	6 150#	193	8 150#	
C14F60N33B4S	75	480	44-3/4	27	18-1/4	17	43	3 150#	44	4 150#	45	6 150#	46	8 150#	
C14F60N33H4Y	80	480	44-3/4	27	18-1/4	17	43	3 150#	44	4 150#	45	6 150#	46	8 150#	
C14F60N43B4S	100	480	54-3/4	37	28-1/4	17	53	3 150#	54	4 150#	55	6 150#	56	8 150#	
C14F60N52H4Y	120	480	63-3/4	46	37-1/4	17	62	3 150#	63	4 150#	64	6 150#	65	8 150#	
C14F60N52B4S	125	480	63-3/4	46	37-1/4	17	62	3 150#	63	4 150#	64	6 150#	65	8 150#	
C14F60N61B4S	150	480	72-3/4	55	46-1/4	17	71	3 150#	72	4 150#	73	6 150#	74	8 150#	
C14F60N61H4Y	167	480	72-3/4	55	46-1/4	17	71	3 150#	72	4 150#	73	6 150#	74	8 150#	
C14F60N78H4Y	222	480	89-3/4	72	63-1/4	17	88	3 150#	89	4 150#	90	6 150#	91	8 150#	
C14F60N88B4S	222	480	99-3/4	82	73-1/4	17	98	3 150#	99	4 150#	100	6 150#	101	8 150#	
C14F60N88H4Y	250	480	99-3/4	82	73-1/4	17	98	3 150#	99	4 150#	100	6 150#	101	8 150#	
C14F60N106B4S	250	480	117-3/4	100	91-1/4	17	116	3 150#	117	4 150#	118	6 150#	119	8 150#	
C14F60N106H4Y	278	480	117-3/4	100	91-1/4	17	116	3 150#	117	4 150#	118	6 150#	119	8 150#	
C14F60N120B4S	285	480	131-3/4	114	105-1/4	17	130	3 150#	131	4 150#	132	6 150#	133	8 150#	
C14F60N120H4Y	300	480	131-3/4	114	105-1/4	17	130	3 150#	131	4 150#	132	6 150#	133	8 150#	
C14F60N140H4Y	350	480	151-3/4	134	129-1/4	17	150	3 150#	151	4 150#	152	6 150#	153	8 150#	
C14F60N160H4Y	402	480	171-3/4	154	145-1/4	17	170	3 150#	171	4 150#	172	6 150#	173	8 150#	
C14F60N180H4Y	450	480	191-3/4	174	165-1/4	17	190	3 150#	191	4 150#	192	6 150#	193	8 150#	
C14F72N33B4S	90	480	44-3/4	27	18-1/4	17	43	3 150#	44	4 150#	45	6 150#	46	8 150#	
C14F72N33H4Y	96	480	44-3/4	27	18-1/4	17	43	3 150#	44	4 150#	45	6 150#	46	8 150#	
C14F72N43B4S	120	480	54-3/4	37	28-1/4	17	53	3 150#	54	4 150#	55	6 150#	56	8 150#	
C14F72N52H4Y	144	480	63-3/4	46	37-1/4	17	62	3 150#	63	4 150#	64	6 150#	65	8 150#	
C14F72N52B4S	150	480	63-3/4	46	37-1/4	17	62	3 150#	63	4 150#	64	6 150#	65	8 150#	
C14F72N61B4S	180	480	72-3/4	55	46-1/4	17	71	3 150#	72	4 150#	73	6 150#	74	8 150#	
C14F72N61H4Y	200	480	72-3/4	55	46-1/4	17	71	3 150#	72	4 150#	73	6 150#	74	8 150#	
C14F72N78H4Y	266	480	89-3/4	72	63-1/4	17	88	3 150#	89	4 150#	90	6 150#	91	8 150#	
C14F72N88B4S	266	480	99-3/4	82	73-1/4	17	98	3 150#	99	4 150#	100	6 150#	101	8 150#	
C14F72N88H4Y	300	480	99-3/4	82	73-1/4	17	98	3 150#	99	4 150#	100	6 150#	101	8 150#	
C14F72N106B4S	300	480	117-3/4	100	91-1/4	17	116	3 150#	117	4 150#	118	6 150#	119	8 150#	

Circulation Heaters

Type IC

Diameter (in.): 14

Watt Density (w/sq.in.): 15

GCI Circulation Heater Drawing No. IC-300 Dimensions (Inches) A, B, B1, C, D, E, F, G							D = 6 E = 10		Nozzles Option 1		Nozzles Option 2		Nozzles Option 3		Nozzles Option 4	
Catalog Number	kW	Volt	A	B	C	F	B1	G1(in.)	B1	G2(in.)	B1	G3(in)	B1	G4(in)		
C14F72N106H4Y	334	480	117-3/4	100	91-1/4	17	116	3 150#	117	4 150#	118	6 150#	119	8 150#		
C14F72N120B4S	341	480	131-3/4	114	105-1/4	17	130	3 150#	131	4 150#	132	6 150#	133	8 150#		
C14F72N120H4Y	360	480	131-3/4	114	105-1/4	17	130	3 150#	131	4 150#	132	6 150#	133	8 150#		
C14F72N140H4Y	420	480	151-3/4	134	129-1/4	17	150	3 150#	151	4 150#	152	6 150#	153	8 150#		
C14F72N160H4Y	482	480	171-3/4	154	145-1/4	17	170	3 150#	171	4 150#	172	6 150#	173	8 150#		
C14F72N180H4Y	540	480	191-3/4	174	165-1/4	17	190	3 150#	191	4 150#	192	6 150#	193	8 150#		

Diameter (in.): 16

Watt Density (w/sq.in.): 15

GCI Circulation Heater Drawing No. IC-300 Dimensions (Inches) A, B, B1, C, D, E, F, G							D = 8-1/2 E = 10		Nozzles Option 1		Nozzles Option 2		Nozzles Option 3		Nozzles Option 4	
Catalog Number	kW	Volt	A	B	C	F	B1	G1(in.)	B1	G2(in.)	B1	G3(in)	B1	G4(in)		
C16F84N106H4Y	389	480	120-1/4	97-1/2	89-1/4	19	114	3 150#	115	4 150#	116	6 150#	117	8 150#		
C16F84N120H4Y	420	480	134-1/4	111-1/2	103-1/4	19	128	3 150#	129	4 150#	130	6 150#	131	8 150#		
C16F84N140H4Y	490	480	154-1/4	131-1/2	123-1/4	19	148	3 150#	149	4 150#	150	6 150#	151	8 150#		
C16F84N160H4Y	563	480	174-1/4	151-1/2	143-1/4	19	168	3 150#	169	4 150#	170	6 150#	171	8 150#		
C16F84N180H4Y	630	480	194-1/4	171-1/2	164-1/4	19	188	3 150#	189	4 150#	190	6 150#	191	8 150#		

Diameter (in.): 18

Watt Density (w/sq.in.): 15

GCI Circulation Heater Drawing No. IC-300 Dimensions (Inches) A, B, B1, C, D, E, F, G							D = 9-1/2 E = 12		Nozzles Option 1		Nozzles Option 2		Nozzles Option 3		Nozzles Option 4	
Catalog Number	kW	Volt	A	B	C	F	B1	G1(in.)	B1	G2(in.)	B1	G3(in)	B1	G4(in)		
C18F108N106H4Y	500	480	122-1/2	96-1/2	86	21	114	3 150#	115	4 150#	116	6 150#	118	8 150#		
C18F108N120H4Y	540	480	136-1/2	110-1/2	100	21	127	3 150#	128	4 150#	129	6 150#	131	8 150#		
C18F108N140H4Y	630	480	156-1/2	130-1/2	120	21	147	3 150#	148	4 150#	149	6 150#	151	8 150#		
C18F108N160H4Y	724	480	176-1/2	150-1/2	140	21	167	3 150#	168	4 150#	169	6 150#	171	8 150#		
C18F108N180H4Y	810	480	196-1/2	170-1/2	160	21	187	3 150#	188	4 150#	189	6 150#	191	8 150#		

Diameter (in.): 20

Watt Density (w/sq.in.): 15

GCI Circulation Heater Drawing No. IC-300 Dimensions (Inches) A, B, B1, C, D, E, F, G							D = 9-3/4 E = 12		Nozzles Option 1		Nozzles Option 2		Nozzles Option 3		Nozzles Option 4	
Catalog Number	kW	Volt	A	B	C	F	B1	G1(in.)	B1	G2(in.)	B1	G3(in)	B1	G4(in)		
C20F144N106H4Y	667	480	123-1/2	96-1/4	86	23	115	3 150#	116	4 150#	117	6 150#	119	8 150#		
C20F144N120H4Y	720	480	137-1/2	110-1/4	100	23	129	3 150#	130	4 150#	131	6 150#	133	8 150#		
C20F144N140H4Y	840	480	157-1/2	130-1/4	120	23	149	3 150#	150	4 150#	151	6 150#	153	8 150#		
C20F144N160H4Y	965	480	177-1/2	150-1/4	140	23	169	3 150#	170	4 150#	171	6 150#	173	8 150#		
C20F144N180H4Y	1080	480	197-1/2	170-1/4	160	23	189	3 150#	190	4 150#	191	6 150#	193	8 150#		

Circulation Heaters

Type IC

Diameter (in.): 24

Watt Density (w/sq.in.): 15

GCI Circulation Heater Drawing No. IC-300 Dimensions (Inches) A, B, B1, C, D, E, F, G							D = 10-1/2		Nozzles Option 1		Nozzles Option 2		Nozzles Option 3		Nozzles Option 4	
							E = 12									
Catalog Number	kW	Volt	A	B	C	F	B1	G1(in.)	B1	G2(in.)	B1	G3(in)	B1	G4(in)		
C24F192N106H4Y	890	480	126	95-1/2	85	27	116	6 150#	117	8 150#	118	10 150#	120	12 150#		
C24F192N120H4Y	960	480	140	109-1/2	99	27	130	6 150#	131	8 150#	132	10 150#	134	12 150#		
C24F192N140H4Y	1120	480	160	129-1/2	119	27	150	6 150#	151	8 150#	152	10 150#	154	12 150#		
C24F192N160H4Y	1286	480	180	149-1/2	139	27	170	6 150#	171	8 150#	172	10 150#	174	12 150#		
C24F192N180H4Y	1440	480	200	169-1/2	159	27	190	6 150#	191	8 150#	192	10 150#	194	12 150#		

Circulation Heaters

Type IC

Watt Density: 12

Diameter (in.): 2.5

Watt Density (w/sq.in.): 12

GCI Circulation Heater Drawing No. IC-300 Dimensions (Inches) A, B, B1, C, D, E, F, G						D = 3 E = N/A		Nozzles Option 1		Nozzles Option 2		Nozzles Option 3		Nozzles Option 4	
Catalog Number	kW	Volt	A	B	C	F	B1	G1(in.)	B1	G2(in.)	B1	G3(in)	B1	G4(in)	
C2F3N13H2D	1.125	120	19	N/A	N/A	5-1/2	15	1 FNPT	17	2 FNPT	19	1 150#	20	2 150#	
C2F3N13H4D	1.1	240	19	N/A	N/A	5-1/2	15	1 FNPT	17	2 FNPT	19	1 150#	20	2 150#	
C2F3N18H2D	1.5	120	24	N/A	N/A	5-1/2	20	1 FNPT	22	2 FNPT	24	1 150#	25	2 150#	
C2F3N18H4D	1.5	240	24	N/A	N/A	5-1/2	20	1 FNPT	22	2 FNPT	24	1 150#	25	2 150#	
C2F3N20H2D	1.875	120	26	N/A	N/A	5-1/2	22	1 FNPT	24	2 FNPT	26	1 150#	27	2 150#	
C2F3N20H4D	1.9	240	26	N/A	N/A	5-1/2	22	1 FNPT	24	2 FNPT	26	1 150#	27	2 150#	
C2F3N25H2D	2.25	120	31	N/A	N/A	5-1/2	27	1 FNPT	29	2 FNPT	31	1 150#	32	2 150#	
C2F3N25H4D	2.3	240	31	N/A	N/A	5-1/2	27	1 FNPT	29	2 FNPT	31	1 150#	32	2 150#	
C2F3N33H2D	3	120	39	N/A	N/A	5-1/2	35	1 FNPT	37	2 FNPT	39	1 150#	40	2 150#	
C2F3N33H4D	3	240	39	N/A	N/A	5-1/2	35	1 FNPT	37	2 FNPT	39	1 150#	40	2 150#	
C2F3N40H2D	3.75	120	46	N/A	N/A	5-1/2	42	1 FNPT	44	2 FNPT	46	1 150#	47	2 150#	
C2F3N40H4D	3.8	240	46	N/A	N/A	5-1/2	42	1 FNPT	44	2 FNPT	46	1 150#	47	2 150#	
C2F3N48H2D	4.5	120	54	N/A	N/A	5-1/2	50	1 FNPT	52	2 FNPT	54	1 150#	55	2 150#	
C2F3N48H4D	4.5	240	54	N/A	N/A	5-1/2	50	1 FNPT	52	2 FNPT	54	1 150#	55	2 150#	
C2F3N61H4D	6.3	240	67	N/A	N/A	5-1/2	63	1 FNPT	65	2 FNPT	67	1 150#	68	2 150#	
C2F3N78H4D	8.3	240	84	N/A	N/A	5-1/2	80	1 FNPT	82	2 FNPT	84	1 150#	85	2 150#	
C2F3N88H4D	9.4	240	94	N/A	N/A	5-1/2	90	1 FNPT	92	2 FNPT	94	1 150#	95	2 150#	
C2F3N106H4D	10.4	240	112	N/A	N/A	5-1/2	108	1 FNPT	110	2 FNPT	112	1 150#	113	2 150#	
C2F3N120H4D	11.3	240	126	N/A	N/A	5-1/2	122	1 FNPT	124	2 FNPT	126	1 150#	127	2 150#	

Diameter (in.): 4

Watt Density (w/sq.in.): 12

GCI Circulation Heater Drawing No. IC-300 Dimensions (Inches) A, B, B1, C, D, E, F, G						D = 4 E = 6		Nozzles Option 1		Nozzles Option 2		Nozzles Option 3		Nozzles Option 4	
Catalog Number	kW	Volt	A	B	C	F	B1	G1(in.)	B1	G2(in.)	B1	G3(in)	B1	G4(in)	
C4F6N13H2S	2.2	240	20	9	7	7-1/2	17	1 FNPT	18	2 FNPT	20	1 150#	21	3 150#	
C4F6N13H4S	2.2	480	20	9	7	7-1/2	17	1 FNPT	18	2 FNPT	20	1 150#	21	3 150#	
C4F6N18H2S	3	240	25	14	9	7-1/2	22	1 FNPT	23	2 FNPT	25	1 150#	26	3 150#	
C4F6N18H4S	3	480	25	14	9	7-1/2	22	1 FNPT	23	2 FNPT	25	1 150#	26	3 150#	
C4F6N20H2S	3.8	240	27	16	11	7-1/2	24	1 FNPT	25	2 FNPT	27	1 150#	28	3 150#	
C4F6N20H4S	3.8	480	27	16	11	7-1/2	24	1 FNPT	25	2 FNPT	27	1 150#	28	3 150#	
C4F6N25H2S	4.5	240	32	21	16	7-1/2	29	1 FNPT	30	2 FNPT	32	1 150#	33	3 150#	
C4F6N25H4S	4.5	480	32	21	16	7-1/2	29	1 FNPT	30	2 FNPT	32	1 150#	33	3 150#	
C4F6N33H2S	6	240	40	29	24	7-1/2	37	1 FNPT	38	2 FNPT	40	1 150#	41	3 150#	
C4F6N33H4S	6	480	40	29	24	7-1/2	37	1 FNPT	38	2 FNPT	40	1 150#	41	3 150#	
C4F6N40H2S	7.5	240	47	36	31	7-1/2	43	1 FNPT	44	2 FNPT	46	1 150#	47	3 150#	
C4F6N40H4S	7.5	480	47	36	31	7-1/2	44	1 FNPT	45	2 FNPT	47	1 150#	48	3 150#	
C4F6N48H2S	9	240	55	44	39	7-1/2	52	1 FNPT	53	2 FNPT	55	1 150#	56	3 150#	
C4F6N48H4S	9	480	55	44	39	7-1/2	52	1 FNPT	53	2 FNPT	55	1 150#	56	3 150#	
C4F6N61H2S	12.5	240	68	57	52	7-1/2	65	1 FNPT	66	2 FNPT	68	1 150#	69	3 150#	
C4F6N61H4S	12.5	480	68	57	52	7-1/2	65	1 FNPT	66	2 FNPT	68	1 150#	69	3 150#	
C4F6N78H2S	17	240	85	74	69	7-1/2	83	1 FNPT	84	2 FNPT	86	1 150#	87	3 150#	
C4F6N78H4S	17	480	85	74	69	7-1/2	83	1 FNPT	84	2 FNPT	86	1 150#	87	3 150#	

Circulation Heaters

Type IC

Diameter (in.): 4

Watt Density (w/sq.in.): 12

GCI Circulation Heater Drawing No. IC-300 Dimensions (Inches) A, B, B1, C, D, E, F, G							D = 4 E = 6		Nozzles Option 1		Nozzles Option 2		Nozzles Option 3		Nozzles Option 4	
Catalog Number	kW	Volt	A	B	C	F	B1	G1(in.)	B1	G2(in.)	B1	G3(in)	B1	G4(in)		
C4F6N88H4D	19	240	95	84	79	7-1/2	93	1 FNPT	94	2 FNPT	96	1 150#	97	3 150#		
C4F6N88H4S	19	480	95	84	79	7-1/2	93	1 FNPT	94	2 FNPT	96	1 150#	97	3 150#		
C4F6N106H4D	21	240	113	102	97	7-1/2	110	1 FNPT	111	2 FNPT	113	1 150#	114	3 150#		
C4F6N106H4S	21	480	113	102	97	7-1/2	110	1 FNPT	111	2 FNPT	113	1 150#	114	3 150#		
C4F6N120H4D	23	240	127	116	111	7-1/2	124	1 FNPT	125	2 FNPT	127	1 150#	128	3 150#		
C4F6N120H4S	23	480	127	116	111	7-1/2	124	1 FNPT	125	2 FNPT	127	1 150#	128	3 150#		
C4F6N140H4S	26	480	147	136	131	7-1/2	144	1 FNPT	145	2 FNPT	147	1 150#	148	3 150#		
C4F6N140H4D	26	480	147	136	131	7-1/2	144	1 FNPT	145	2 FNPT	147	1 150#	148	3 150#		
C4F6N160H4D	30	480	167	156	151	7-1/2	164	1 FNPT	165	2 FNPT	167	1 150#	168	3 150#		
C4F6N160H4S	30	480	167	156	151	7-1/2	164	1 FNPT	165	2 FNPT	167	1 150#	168	3 150#		
C4F6N180H4D	34	480	187	176	171	7-1/2	184	1 FNPT	185	2 FNPT	187	1 150#	188	3 150#		
C4F6N180H4S	34	480	187	176	171	7-1/2	184	1 FNPT	185	2 FNPT	187	1 150#	188	3 150#		

Diameter (in.): 5

Watt Density (w/sq.in.): 12

GCI Circulation Heater Drawing No. IC-300 Dimensions (Inches) A, B, B1, C, D, E, F, G							D = 4-1/2 E = 8		Nozzles Option 1		Nozzles Option 2		Nozzles Option 3		Nozzles Option 4	
Catalog Number	kW	Volt	A	B	C	F	B1	G1(in.)	B1	G2(in.)	B1	G3(in)	B1	G4(in)		
C5F6N13H2S	2.2	240	20-3/4	8-1/2	5	8-1/2	18	2 FNPT	19	2-1/2 FNPT	20	2 150#	21	3 150#		
C5F6N13H4S	2.2	480	20-3/4	8-1/2	5	8-1/2	18	2 FNPT	19	2-1/2 FNPT	20	2 150#	21	3 150#		
C5F6N18H2S	3	240	25-3/4	13-1/2	10	8-1/2	23	2 FNPT	24	2-1/2 FNPT	25	2 150#	26	3 150#		
C5F6N18H4S	3	480	25-3/4	13-1/2	10	8-1/2	23	2 FNPT	24	2-1/2 FNPT	25	2 150#	26	3 150#		
C5F6N20H2S	3.8	240	27-3/4	15-1/2	9-1/2	8-1/2	25	2 FNPT	26	2-1/2 FNPT	27	2 150#	28	3 150#		
C5F6N20H4S	3.8	480	27-3/4	15-1/2	9-1/2	8-1/2	25	2 FNPT	26	2-1/2 FNPT	27	2 150#	28	3 150#		
C5F6N25H2S	4.5	240	32-3/4	20-1/2	13-3/4	8-1/2	30	2 FNPT	31	2-1/2 FNPT	32	2 150#	33	3 150#		
C5F6N25H4S	4.5	480	32-3/4	20-1/2	13-3/4	8-1/2	30	2 FNPT	31	2-1/2 FNPT	32	2 150#	33	3 150#		
C5F6N33H2S	6	240	40-3/4	28-1/2	21-3/4	8-1/2	38	2 FNPT	39	2-1/2 FNPT	40	2 150#	41	3 150#		
C5F6N33H4S	6	480	40-3/4	28-1/2	21-3/4	8-1/2	38	2 FNPT	39	2-1/2 FNPT	40	2 150#	41	3 150#		
C5F6N40H2S	7.5	240	47-3/4	35-1/2	28-3/4	8-1/2	45	2 FNPT	46	2-1/2 FNPT	47	2 150#	48	3 150#		
C5F6N40H4S	7.5	480	47-3/4	35-1/2	28-3/4	8-1/2	45	2 FNPT	46	2-1/2 FNPT	47	2 150#	48	3 150#		
C5F6N48H2S	9	240	55-3/4	43-1/2	36-3/4	8-1/2	53	2 FNPT	54	2-1/2 FNPT	55	2 150#	56	3 150#		
C5F6N48H4S	9	480	55-3/4	43-1/2	36-3/4	8-1/2	53	2 FNPT	54	2-1/2 FNPT	55	2 150#	56	3 150#		
C5F6N61H2S	12.5	240	68-3/4	56-1/2	49-3/4	8-1/2	66	2 FNPT	67	2-1/2 FNPT	68	2 150#	69	3 150#		
C5F6N61H4S	12.5	480	68-3/4	56-1/2	49-3/4	8-1/2	66	2 FNPT	67	2-1/2 FNPT	68	2 150#	69	3 150#		
C5F6N78H2S	17	240	85-3/4	73-1/2	66-3/4	8-1/2	84	2 FNPT	85	2-1/2 FNPT	86	2 150#	87	3 150#		
C5F6N78H4S	17	480	85-3/4	73-1/2	66-3/4	8-1/2	84	2 FNPT	85	2-1/2 FNPT	86	2 150#	87	3 150#		
C5F6N88H4D	19	240	95-3/4	88-1/2	71-3/4	8-1/2	98	2 FNPT	99	2-1/2 FNPT	100	2 150#	101	3 150#		
C5F6N88H4S	19	480	95-3/4	88-1/2	71-3/4	8-1/2	98	2 FNPT	99	2-1/2 FNPT	100	2 150#	101	3 150#		
C5F6N106H4D	21	240	113-3/4	101-1/2	94-3/4	8-1/2	111	2 FNPT	112	2-1/2 FNPT	113	2 150#	114	3 150#		
C5F6N106H4S	21	480	113-3/4	101-1/2	94-3/4	8-1/2	111	2 FNPT	112	2-1/2 FNPT	113	2 150#	114	3 150#		
C5F6N120H4D	90	240	127-3/4	115-1/2	108-3/4	8-1/2	125	2 FNPT	126	2-1/2 FNPT	127	2 150#	128	3 150#		
C5F6N120H4S	23	480	127-3/4	115-1/2	108-3/4	8-1/2	125	2 FNPT	126	2-1/2 FNPT	127	2 150#	128	3 150#		
C5F6N140H4S	26	480	147-3/4	135-1/2	128-3/4	8-1/2	145	2 FNPT	146	2-1/2 FNPT	147	2 150#	148	3 150#		
C5F6N140H4D	26	480	147-3/4	135-1/2	128-3/4	8-1/2	145	2 FNPT	146	2-1/2 FNPT	147	2 150#	148	3 150#		
C5F6N160H4S	30	480	167-3/4	155-1/2	148-3/4	8-1/2	165	2 FNPT	166	2-1/2 FNPT	167	2 150#	168	3 150#		
C5F6N160H4D	30	480	167-3/4	155-1/2	148-3/4	8-1/2	165	2 FNPT	166	2-1/2 FNPT	167	2 150#	168	3 150#		

Circulation Heaters

Type IC

Diameter (in.): 5

Watt Density (w/sq.in.): 12

GCI Circulation Heater Drawing No. IC-300 Dimensions (Inches) A, B, B1, C, D, E, F, G							D = 4-1/2 E = 8		Nozzles Option 1		Nozzles Option 2		Nozzles Option 3		Nozzles Option 4	
Catalog Number	kW	Volt	A	B	C	F	B1	G1(in.)	B1	G2(in.)	B1	G3(in)	B1	G4(in)		
C5F6N180H4S	34	480	187-3/4	175-1/2	168-3/4	8-1/2	185	2 FNPT	186	2-1/2 FNPT	187	2 150#	188	3 150#		
C5F6N180H4D	34	480	187-3/4	175-1/2	168-3/4	8-1/2	185	2 FNPT	186	2-1/2 FNPT	187	2 150#	188	3 150#		

Diameter (in.): 6

Watt Density (w/sq.in.): 12

GCI Circulation Heater Drawing No. IC-300 Dimensions (Inches) A, B, B1, C, D, E, F, G							D = 4-1/2 E = 8		Nozzles Option 1		Nozzles Option 2		Nozzles Option 3		Nozzles Option 4	
Catalog Number	kW	Volt	A	B	C	F	B1	G1(in.)	B1	G2(in.)	B1	G3(in)	B1	G4(in)		
C6F12N13H2S	4.5	240	21-1/4	8-1/2	5	9-5/8	19	2 FNPT	19	2-1/2 FNPT	21	2 150#	22	3 150#		
C6F12N13H4S	4.5	480	21-1/4	8-1/2	5	9-5/8	19	2 FNPT	19	2-1/2 FNPT	21	2 150#	22	3 150#		
C6F12N18H2S	6	240	26-1/4	13-1/2	10	9-5/8	24	2 FNPT	24	2-1/2 FNPT	26	2 150#	27	3 150#		
C6F12N18H4S	6	480	26-1/4	13-1/2	10	9-5/8	24	2 FNPT	24	2-1/2 FNPT	26	2 150#	27	3 150#		
C6F12N20H2S	7.5	240	28-1/4	15-1/2	9-1/2	9-5/8	26	2 FNPT	26	2-1/2 FNPT	28	2 150#	29	3 150#		
C6F12N20H4S	7.5	480	28-1/4	15-1/2	9-1/2	9-5/8	26	2 FNPT	26	2-1/2 FNPT	28	2 150#	29	3 150#		
C6F12N25H2S	9	240	33-1/4	20-1/2	13-3/4	9-5/8	31	2 FNPT	31	2-1/2 FNPT	33	2 150#	34	3 150#		
C6F12N25H4S	9	480	33-1/4	20-1/2	13-3/4	9-5/8	31	2 FNPT	31	2-1/2 FNPT	33	2 150#	34	3 150#		
C6F12N33H2S	12	240	41-1/4	28-1/2	21-3/4	9-5/8	39	2 FNPT	39	2-1/2 FNPT	41	2 150#	42	3 150#		
C6F12N33H4S	12	480	41-1/4	28-1/2	21-3/4	9-5/8	39	2 FNPT	39	2-1/2 FNPT	41	2 150#	42	3 150#		
C6F12N40H2S	15	240	48-1/4	35-1/2	28-3/4	9-5/8	46	2 FNPT	46	2-1/2 FNPT	48	2 150#	49	3 150#		
C6F12N40H4S	15	480	48-1/4	35-1/2	28-3/4	9-5/8	46	2 FNPT	46	2-1/2 FNPT	48	2 150#	49	3 150#		
C6F12N48H2S	18	240	55-1/4	43-1/2	33-3/4	9-5/8	54	2 FNPT	54	2-1/2 FNPT	56	2 150#	57	3 150#		
C6F12N48H4S	18	480	55-1/4	43-1/2	33-3/4	9-5/8	54	2 FNPT	54	2-1/2 FNPT	56	2 150#	57	3 150#		
C6F12N61H2S	25	240	69-1/4	56-1/2	49-3/4	9-5/8	67	2 FNPT	67	2-1/2 FNPT	69	2 150#	70	3 150#		
C6F12N61H4S	25	480	69-1/4	56-1/2	49-3/4	9-5/8	67	2 FNPT	67	2-1/2 FNPT	69	2 150#	70	3 150#		
C6F12N78H2S	33	240	86-1/4	73-1/2	66-3/4	9-5/8	84	2 FNPT	85	2-1/2 FNPT	86	2 150#	87	3 150#		
C6F12N78H4S	33	480	86-1/4	73-1/2	66-3/4	9-5/8	84	2 FNPT	85	2-1/2 FNPT	86	2 150#	87	3 150#		
C6F12N88H4D	38	240	96-1/4	83-1/2	76-3/4	9-5/8	94	2 FNPT	94	2-1/2 FNPT	96	2 150#	97	3 150#		
C6F12N88H4S	38	480	96-1/4	83-1/2	76-3/4	9-5/8	94	2 FNPT	94	2-1/2 FNPT	96	2 150#	97	3 150#		
C6F12N106H4D	42	240	114-1/4	101-1/2	94-3/4	9-5/8	112	2 FNPT	112	2-1/2 FNPT	114	2 150#	115	3 150#		
C6F12N106H4S	42	480	114-1/4	101-1/2	94-3/4	9-5/8	112	2 FNPT	112	2-1/2 FNPT	114	2 150#	115	3 150#		
C6F12N120H4D	45	240	128-1/4	115-1/2	108-3/4	9-5/8	126	2 FNPT	126	2-1/2 FNPT	128	2 150#	129	3 150#		
C6F12N120H4S	45	480	128-1/4	115-1/2	108-3/4	9-5/8	126	2 FNPT	126	2-1/2 FNPT	128	2 150#	129	3 150#		
C6F12N140H4S	53	480	148-1/4	135-1/2	128-3/4	9-5/8	146	2 FNPT	146	2-1/2 FNPT	148	2 150#	149	3 150#		
C6F12N140H4D	53	480	148-1/4	135-1/2	128-3/4	9-5/8	146	2 FNPT	146	2-1/2 FNPT	148	2 150#	149	3 150#		
C6F12N160H4D	60	480	168-1/4	155-1/2	148-3/4	9-5/8	166	2 FNPT	166	2-1/2 FNPT	168	2 150#	169	3 150#		
C6F12N160H4S	60	480	168-1/4	155-1/2	148-3/4	9-5/8	166	2 FNPT	166	2-1/2 FNPT	168	2 150#	169	3 150#		
C6F12N180H4S	68	480	188-1/4	175-1/2	168-3/4	9-5/8	186	2 FNPT	186	2-1/2 FNPT	188	2 150#	189	3 150#		
C6F12N180H4D	68	480	188-1/4	175-1/2	168-3/4	9-5/8	186	2 FNPT	186	2-1/2 FNPT	188	2 150#	189	3 150#		

Diameter (in.): 8

Watt Density (w/sq.in.): 12

GCI Circulation Heater Drawing No. IC-300 Dimensions (Inches) A, B, B1, C, D, E, F, G							D = 4-1/2 E = 8-1/2		Nozzles Option 1		Nozzles Option 2		Nozzles Option 3		Nozzles Option 4	
Catalog Number	kW	Volt	A	B	C	F	B1	G1(in.)	B1	G2(in.)	B1	G3(in)	B1	G4(in)		
C8F18N13H2S	6.7	240	21-3/4	8-1/2	4-1/2	11-5/8	19	2 FNPT	20	2-1/2 FNPT	22	2 150#	22	3 150#		

Circulation Heaters

Type IC

Diameter (in.): 8

Watt Density (w/sq.in.): 12

GCI Circulation Heater Drawing No. IC-300 Dimensions (Inches) A, B, B1, C, D, E, F, G							D = 4-1/2 E = 8-1/2		Nozzles Option 1		Nozzles Option 2		Nozzles Option 3		Nozzles Option 4	
Catalog Number	kW	Volt	A	B	C	F	B1	G1(in.)	B1	G2(in.)	B1	G3(in)	B1	G4(in)		
C8F18N13H4S	6.7	480	21-3/4	8-1/2	4-1/2	11-5/8	19	2 FNPT	20	2-1/2 FNPT	22	2 150#	22	3 150#		
C8F18N18H2S	9	240	26-3/4	13-1/2	9-1/2	11-5/8	24	2 FNPT	25	2-1/2 FNPT	27	2 150#	27	3 150#		
C8F18N18H4S	9	480	26-3/4	13-1/2	9-1/2	11-5/8	24	2 FNPT	25	2-1/2 FNPT	27	2 150#	27	3 150#		
C8F18N20H2S	11.3	240	28-3/4	15-1/2	11-1/2	11-5/8	26	2 FNPT	27	2-1/2 FNPT	29	2 150#	29	3 150#		
C8F18N20H4S	11.3	480	28-3/4	15-1/2	11-1/2	11-5/8	26	2 FNPT	27	2-1/2 FNPT	29	2 150#	29	3 150#		
C8F18N25H2S	14	240	33-3/4	20-1/2	13-1/4	11-5/8	31	2 FNPT	32	2-1/2 FNPT	34	2 150#	34	3 150#		
C8F18N25H4S	14	480	33-3/4	20-1/2	13-1/4	11-5/8	31	2 FNPT	32	2-1/2 FNPT	34	2 150#	34	3 150#		
C8F18N33H2S	18	240	41-3/4	28-1/2	21-1/4	11-5/8	39	2 FNPT	40	2-1/2 FNPT	42	2 150#	42	3 150#		
C8F18N33H4S	18	480	41-3/4	28-1/2	21-1/4	11-5/8	39	2 FNPT	40	2-1/2 FNPT	42	2 150#	42	3 150#		
C8F18N40H2S	23	240	48-3/4	35-1/2	28-1/4	11-5/8	46	2 FNPT	47	2-1/2 FNPT	49	2 150#	49	3 150#		
C8F18N40H4S	23	480	48-3/4	35-1/2	28-1/4	11-5/8	46	2 FNPT	47	2-1/2 FNPT	49	2 150#	49	3 150#		
C8F18N48H2S	27	240	56-3/4	43-1/2	36-1/4	11-5/8	54	2 FNPT	55	2-1/2 FNPT	57	2 150#	57	3 150#		
C8F18N48H4S	27	480	56-3/4	43-1/2	36-1/4	11-5/8	54	2 FNPT	55	2-1/2 FNPT	57	2 150#	57	3 150#		
C8F18N61H2S	38	240	70-1/4	56	48-1/4	11-5/8	67	2 FNPT	68	2-1/2 FNPT	69	2 150#	70	3 150#		
C8F18N61H4S	38	480	70-1/4	56	48-1/4	11-5/8	67	2 FNPT	68	2-1/2 FNPT	69	2 150#	70	3 150#		
C8F18N78H2S	50	240	87-1/4	73	65-1/4	11-5/8	84	2 FNPT	85	2-1/2 FNPT	87	2 150#	88	3 150#		
C8F18N78H4S	50	480	87-1/4	73	65-1/4	11-5/8	84	2 FNPT	85	2-1/2 FNPT	87	2 150#	88	3 150#		
C8F18N88H4D	56	240	97-1/4	83	75-1/4	11-5/8	94	2 FNPT	95	2-1/2 FNPT	96	2 150#	97	3 150#		
C8F18N88H4S	56	480	97-1/4	83	75-1/4	11-5/8	94	2 FNPT	95	2-1/2 FNPT	96	2 150#	97	3 150#		
C8F18N106H4D	63	240	115-1/4	101	93-1/4	11-5/8	112	2 FNPT	113	2-1/2 FNPT	114	2 150#	115	3 150#		
C8F18N106H4S	63	480	115-1/4	101	93-1/4	11-5/8	112	2 FNPT	113	2-1/2 FNPT	114	2 150#	115	3 150#		
C8F18N120H4D	68	240	123-1/4	115	107-1/4	11-5/8	126	2 FNPT	127	2-1/2 FNPT	128	2 150#	129	3 150#		
C8F18N120H4S	68	480	123-1/4	115	107-1/4	11-5/8	126	2 FNPT	127	2-1/2 FNPT	128	2 150#	129	3 150#		
C8F18N140H4S	79	480	149-1/4	135	127-1/4	11-5/8	146	2 FNPT	147	2-1/2 FNPT	148	2 150#	149	3 150#		
C8F18N140H4D	79	480	149-1/4	135	127-1/4	11-5/8	146	2 FNPT	147	2-1/2 FNPT	148	2 150#	149	3 150#		
C8F18N160H4S	90	480	169-1/4	155	147-1/4	11-5/8	166	2 FNPT	167	2-1/2 FNPT	168	2 150#	169	3 150#		
C8F18N160H4D	91	480	169-1/4	155	147-1/4	11-5/8	166	2 FNPT	167	2-1/2 FNPT	168	2 150#	169	3 150#		
C8F18N180H4S	101	480	189-1/4	175	167-1/4	11-5/8	186	2 FNPT	187	2-1/2 FNPT	188	2 150#	189	3 150#		
C8F18N180H4D	101	480	189-1/4	175	167-1/4	11-5/8	186	2 FNPT	187	2-1/2 FNPT	188	2 150#	189	3 150#		
C8F24N13H2S	9	240	21-3/4	8-1/2	4-1/2	11-5/8	19	2 FNPT	20	2-1/2 FNPT	22	2 150#	22	3 150#		
C8F24N13H4S	9	480	21-3/4	8-1/2	4-1/2	11-5/8	19	2 FNPT	20	2-1/2 FNPT	22	2 150#	22	3 150#		
C8F24N18H2S	12	240	26-3/4	13-1/2	9-1/2	11-5/8	24	2 FNPT	25	2-1/2 FNPT	27	2 150#	27	3 150#		
C8F24N18H4S	12	480	26-3/4	13-1/2	9-1/2	11-5/8	24	2 FNPT	25	2-1/2 FNPT	27	2 150#	27	3 150#		
C8F24N20H2S	15	240	28-3/4	15-1/2	11-1/2	11-5/8	26	2 FNPT	27	2-1/2 FNPT	29	2 150#	29	3 150#		
C8F24N20H4S	15	480	28-3/4	15-1/2	11-1/2	11-5/8	26	2 FNPT	27	2-1/2 FNPT	29	2 150#	29	3 150#		
C8F24N25H2S	18	240	33-3/4	20-1/2	13-1/4	11-5/8	31	2 FNPT	32	2-1/2 FNPT	34	2 150#	34	3 150#		
C8F24N25H4S	18	480	33-3/4	20-1/2	13-1/4	11-5/8	31	2 FNPT	32	2-1/2 FNPT	34	2 150#	34	3 150#		
C8F24N33H2S	24	240	41-3/4	28-1/2	21-1/4	11-5/8	39	2 FNPT	40	2-1/2 FNPT	42	2 150#	42	3 150#		
C8F24N33H4S	24	480	41-3/4	28-1/2	21-1/4	11-5/8	39	2 FNPT	40	2-1/2 FNPT	42	2 150#	42	3 150#		
C8F24N40H2S	30	240	48-3/4	35-1/2	28-1/4	11-5/8	46	2 FNPT	47	2-1/2 FNPT	49	2 150#	49	3 150#		
C8F24N40H4S	30	480	48-3/4	35-1/2	28-1/4	11-5/8	46	2 FNPT	47	2-1/2 FNPT	49	2 150#	49	3 150#		
C8F24N48H2S	36	240	56-3/4	43-1/2	36-1/4	11-5/8	54	2 FNPT	55	2-1/2 FNPT	57	2 150#	57	3 150#		
C8F24N48H4S	36	480	56-3/4	43-1/2	36-1/4	11-5/8	54	2 FNPT	55	2-1/2 FNPT	57	2 150#	57	3 150#		
C8F24N61H2S	50	240	70-1/4	56	48-1/4	11-5/8	67	2 FNPT	68	2-1/2 FNPT	69	2 150#	70	3 150#		
C8F24N61H4S	50	480	70-1/4	56	48-1/4	11-5/8	67	2 FNPT	68	2-1/2 FNPT	69	2 150#	70	3 150#		
C8F24N78H2S	67	240	87-1/4	73	65-1/4	11-5/8	84	2 FNPT	85	2-1/2 FNPT	87	2 150#	88	3 150#		

Circulation Heaters

Type IC

Diameter (in.): 8

Watt Density (w/sq.in.): 12

GCI Circulation Heater Drawing No. IC-300 Dimensions (Inches) A, B, B1, C, D, E, F, G							D = 4-1/2 E = 8-1/2		Nozzles Option 1		Nozzles Option 2		Nozzles Option 3		Nozzles Option 4	
Catalog Number	kW	Volt	A	B	C	F	B1	G1(in.)	B1	G2(in.)	B1	G3(in)	B1	G4(in)		
C8F24N78H4S	67	480	87-1/4	73	65-1/4	11-5/8	84	2 FNPT	85	2-1/2 FNPT	87	2 150#	88	3 150#		
C8F24N88H4D	75	240	97-1/4	83	75-1/4	11-5/8	94	2 FNPT	95	2-1/2 FNPT	96	2 150#	97	3 150#		
C8F24N88H4S	75	480	97-1/4	83	75-1/4	11-5/8	94	2 FNPT	95	2-1/2 FNPT	96	2 150#	97	3 150#		
C8F24N106H4D	84	240	115-1/4	101	93-1/4	11-5/8	112	2 FNPT	113	2-1/2 FNPT	114	2 150#	115	3 150#		
C8F24N106H4S	84	480	115-1/4	101	93-1/4	11-5/8	112	2 FNPT	113	2-1/2 FNPT	114	2 150#	115	3 150#		
C8F24N120H4D	90	240	123-1/4	115	107-1/4	11-5/8	126	2 FNPT	127	2-1/2 FNPT	128	2 150#	129	3 150#		
C8F24N120H4S	90	480	123-1/4	115	107-1/4	11-5/8	126	2 FNPT	127	2-1/2 FNPT	128	2 150#	129	3 150#		
C8F24N140H4S	105	480	149-1/4	135	127-1/4	11-5/8	146	2 FNPT	147	2-1/2 FNPT	148	2 150#	149	3 150#		
C8F24N140H4D	105	480	149-1/4	135	127-1/4	11-5/8	146	2 FNPT	147	2-1/2 FNPT	148	2 150#	149	3 150#		
C8F24N160H4S	121	480	169-1/4	155	147-1/4	11-5/8	166	2 FNPT	167	2-1/2 FNPT	168	2 150#	169	3 150#		
C8F24N160H4D	121	480	169-1/4	155	147-1/4	11-5/8	166	2 FNPT	167	2-1/2 FNPT	168	2 150#	169	3 150#		
C8F24N180H4D	135	480	189-1/4	175	167-1/4	11-5/8	186	2 FNPT	187	2-1/2 FNPT	188	2 150#	189	3 150#		
C8F24N180H4S	135	480	189-1/4	175	167-1/4	11-5/8	186	2 FNPT	187	2-1/2 FNPT	188	2 150#	189	3 150#		

Diameter (in.): 10

Watt Density (w/sq.in.): 12

GCI Circulation Heater Drawing No. IC-300 Dimensions (Inches) A, B, B1, C, D, E, F, G							D = 6-3/4 E = 10		Nozzles Option 1		Nozzles Option 2		Nozzles Option 3		Nozzles Option 4	
Catalog Number	kW	Volt	A	B	C	F	B1	G1(in.)	B1	G2(in.)	B1	G3(in)	B1	G4(in)		
C10F36N52H4S	54	480	63-1/4	45-1/4	46-3/4	15	60	3 150#	61	4 150#	62	6 150#	63	8 150#		
C10F36N61H4S	75	480	72-1/4	54-1/4	53-3/4	15	69	3 150#	70	4 150#	71	6 150#	72	8 150#		
C10F36N78H4S	100	480	89-1/4	71-1/4	72-3/4	15	86	3 150#	86	4 150#	87	6 150#	88	8 150#		
C10F36N88H4S	112	480	99-1/4	81-1/4	82-3/4	15	96	3 150#	97	4 150#	98	6 150#	99	8 150#		
C10F36N106H4S	125	480	117-1/4	99-1/4	100-3/4	15	114	3 150#	115	4 150#	116	6 150#	117	8 150#		
C10F36N120H4S	135	480	131-1/4	113-1/4	114-3/4	15	128	3 150#	129	4 150#	130	6 150#	131	8 150#		
C10F36N140H4S	157	480	151-1/4	133-1/4	134-3/4	15	148	3 150#	149	4 150#	150	6 150#	151	8 150#		
C10F36N160H4S	181	480	171-1/4	153-1/4	154-3/4	15	168	3 150#	169	4 150#	170	6 150#	171	8 150#		
C10F36N180H4S	203	480	191-1/4	173-1/4	174-3/4	15	188	3 150#	189	4 150#	190	6 150#	191	8 150#		

Diameter (in.): 12

Watt Density (w/sq.in.): 12

GCI Circulation Heater Drawing No. IC-300 Dimensions (Inches) A, B, B1, C, D, E, F, G							D = 6 E = 10		Nozzles Option 1		Nozzles Option 2		Nozzles Option 3		Nozzles Option 4	
Catalog Number	kW	Volt	A	B	C	F	B1	G1(in.)	B1	G2(in.)	B1	G3(in)	B1	G4(in)		
C12F48N52H4S	72	480	63-1/4	46	37-1/4	16	61	3 150#	62	4 150#	63	6 150#	64	8 150#		
C12F48N61H4S	100	480	72-1/4	55	46-1/4	16	70	3 150#	71	4 150#	72	6 150#	73	8 150#		
C12F48N78H4S	133	480	89-1/4	72	63-1/4	16	87	3 150#	88	4 150#	89	6 150#	90	8 150#		
C12F48N88H4S	150	480	99-1/4	82	73-1/4	16	97	3 150#	98	4 150#	99	6 150#	100	8 150#		
C12F48N106H4S	167	480	117-1/4	100	91-1/4	16	115	3 150#	116	4 150#	117	6 150#	118	8 150#		
C12F48N120H4S	180	480	131-1/4	114	105-1/4	16	129	3 150#	130	4 150#	131	6 150#	132	8 150#		
C12F48N140H4S	210	480	151-1/4	134	129-1/4	16	149	3 150#	150	4 150#	151	6 150#	152	8 150#		
C12F48N160H4S	241	480	171-1/4	154	145-1/4	16	169	3 150#	170	4 150#	171	6 150#	172	8 150#		
C12F48N180H4S	270	480	191-1/4	174	165-1/4	16	189	3 150#	190	4 150#	191	6 150#	192	8 150#		

Circulation Heaters

Type IC

Diameter (in.): 14

Watt Density (w/sq.in.): 12

GCI Circulation Heater Drawing No. IC-300 Dimensions (Inches) A, B, B1, C, D, E, F, G							D = 6 E = 10		Nozzles Option 1		Nozzles Option 2		Nozzles Option 3		Nozzles Option 4	
Catalog Number	kW	Volt	A	B	C	F	B1	G1(in.)	B1	G2(in.)	B1	G3(in)	B1	G4(in)		
C14F54N52H4S	81	480	63-3/4	46	37-1/4	17	62	3 150#	63	4 150#	64	6 150#	65	8 150#		
C14F54N61H4S	113	480	72-3/4	55	46-1/4	17	71	3 150#	72	4 150#	73	6 150#	74	8 150#		
C14F54N78H4S	150	480	89-3/4	72	63-1/4	17	88	3 150#	89	4 150#	90	6 150#	91	8 150#		
C14F54N88H4S	169	480	99-3/4	82	73-1/4	17	98	3 150#	99	4 150#	100	6 150#	101	8 150#		
C14F54N106H4S	188	480	117-3/4	100	91-1/4	17	116	3 150#	117	4 150#	118	6 150#	119	8 150#		
C14F54N120H4S	203	480	131-3/4	114	105-1/4	17	130	3 150#	131	4 150#	132	6 150#	133	8 150#		
C14F54N140H4S	237	480	151-3/4	134	129-1/4	17	150	3 150#	151	4 150#	152	6 150#	153	8 150#		
C14F54N160H4S	272	480	171-3/4	154	145-1/4	17	170	3 150#	171	4 150#	172	6 150#	173	8 150#		
C14F54N180H4S	305	480	191-3/4	174	165-1/4	17	190	3 150#	191	4 150#	192	6 150#	193	8 150#		
C14F60N52H4S	90	480	63-3/4	46	37-1/4	17	62	3 150#	63	4 150#	64	6 150#	65	8 150#		
C14F60N61H4S	125	480	72-3/4	55	46-1/4	17	71	3 150#	72	4 150#	73	6 150#	74	8 150#		
C14F60N78H4S	167	480	89-3/4	72	63-1/4	17	88	3 150#	89	4 150#	90	6 150#	91	8 150#		
C14F60N88H4S	188	480	99-3/4	82	73-1/4	17	98	3 150#	99	4 150#	100	6 150#	101	8 150#		
C14F60N106H4S	209	480	117-3/4	100	91-1/4	17	116	3 150#	117	4 150#	118	6 150#	119	8 150#		
C14F60N120H4S	225	480	131-3/4	114	105-1/4	17	130	3 150#	131	4 150#	132	6 150#	133	8 150#		
C14F60N140H4S	263	480	151-3/4	134	129-1/4	17	150	3 150#	151	4 150#	152	6 150#	153	8 150#		
C14F60N160H4S	301	480	171-3/4	154	145-1/4	17	170	3 150#	171	4 150#	172	6 150#	173	8 150#		
C14F60N180H4S	338	480	191-3/4	174	165-1/4	17	190	3 150#	191	4 150#	192	6 150#	193	8 150#		
C14F72N52H4S	108	480	63-3/4	46	37-1/4	17	62	3 150#	63	4 150#	64	6 150#	65	8 150#		
C14F72N61H4S	150	480	72-3/4	55	46-1/4	17	71	3 150#	72	4 150#	73	6 150#	74	8 150#		
C14F72N78H4S	200	480	89-3/4	72	63-1/4	17	88	3 150#	89	4 150#	90	6 150#	91	8 150#		
C14F72N88H4S	225	480	99-3/4	82	73-1/4	17	98	3 150#	99	4 150#	100	6 150#	101	8 150#		
C14F72N106H4S	250	480	117-3/4	100	91-1/4	17	116	3 150#	117	4 150#	118	6 150#	119	8 150#		
C14F72N120H4S	270	480	131-3/4	114	105-1/4	17	130	3 150#	131	4 150#	132	6 150#	133	8 150#		
C14F72N140H4S	315	480	151-3/4	134	129-1/4	17	150	3 150#	151	4 150#	152	6 150#	153	8 150#		
C14F72N160H4S	361	480	171-3/4	154	145-1/4	17	170	3 150#	171	4 150#	172	6 150#	173	8 150#		
C14F72N180H4S	405	480	191-3/4	174	165-1/4	17	190	3 150#	191	4 150#	192	6 150#	193	8 150#		

Diameter (in.): 16

Watt Density (w/sq.in.): 12

GCI Circulation Heater Drawing No. IC-300 Dimensions (Inches) A, B, B1, C, D, E, F, G							D = 8-1/2 E = 10		Nozzles Option 1		Nozzles Option 2		Nozzles Option 3		Nozzles Option 4	
Catalog Number	kW	Volt	A	B	C	F	B1	G1(in.)	B1	G2(in.)	B1	G3(in)	B1	G4(in)		
C16F84N106H4S	292	480	120-1/4	97-1/2	89-1/4	19	114	3 150#	115	4 150#	116	6 150#	117	8 150#		
C16F84N120H4S	315	480	134-1/4	111-1/2	103-1/4	19	128	3 150#	129	4 150#	130	6 150#	131	8 150#		
C16F84N140H4S	368	480	154-1/4	131-1/2	123-1/4	19	148	3 150#	149	4 150#	150	6 150#	151	8 150#		
C16F84N160H4S	421	480	174-1/4	151-1/2	143-1/4	19	168	3 150#	169	4 150#	170	6 150#	171	8 150#		
C16F84N180H4S	473	480	194-1/4	171-1/2	164-1/4	19	188	3 150#	189	4 150#	190	6 150#	191	8 150#		

Diameter (in.): 18

Watt Density (w/sq.in.): 12

GCI Circulation Heater Drawing No. IC-300 Dimensions (Inches) A, B, B1, C, D, E, F, G							D = 9-1/2 E = 12		Nozzles Option 1		Nozzles Option 2		Nozzles Option 3		Nozzles Option 4	
Catalog Number	kW	Volt	A	B	C	F	B1	G1(in.)	B1	G2(in.)	B1	G3(in)	B1	G4(in)		
C18F108N106H4S	375	480	122-1/2	96-1/2	86	21	114	3 150#	115	4 150#	116	6 150#	118	8 150#		

Circulation Heaters

Type IC

Diameter (in.): 18

Watt Density (w/sq.in.): 12

GCI Circulation Heater Drawing No. IC-300 Dimensions (Inches) A, B, B1, C, D, E, F, G							D = 9-1/2 E = 12		Nozzles Option 1		Nozzles Option 2		Nozzles Option 3		Nozzles Option 4	
Catalog Number	kW	Volt	A	B	C	F	B1	G1(in.)	B1	G2(in.)	B1	G3(in)	B1	G4(in)		
C18F108N120H4S	405	480	136-1/2	110-1/2	100	21	127	3 150#	128	4 150#	129	6 150#	131	8 150#		
C18F108N140H4S	473	480	156-1/2	130-1/2	120	21	147	3 150#	148	4 150#	149	6 150#	151	8 150#		
C18F108N160H4S	542	480	176-1/2	150-1/2	140	21	167	3 150#	168	4 150#	169	6 150#	171	8 150#		
C18F108N180H4S	608	480	196-1/2	170-1/2	160	21	187	3 150#	188	4 150#	189	6 150#	191	8 150#		

Diameter (in.): 20

Watt Density (w/sq.in.): 12

GCI Circulation Heater Drawing No. IC-300 Dimensions (Inches) A, B, B1, C, D, E, F, G							D = 9-3/4 E = 12		Nozzles Option 1		Nozzles Option 2		Nozzles Option 3		Nozzles Option 4	
Catalog Number	kW	Volt	A	B	C	F	B1	G1(in.)	B1	G2(in.)	B1	G3(in)	B1	G4(in)		
C20F144N106H4S	502	480	123-1/2	96-1/4	86	23	115	3 150#	116	4 150#	117	6 150#	119	8 150#		
C20F144N120H4S	540	480	137-1/2	110-1/4	100	23	129	3 150#	130	4 150#	131	6 150#	133	8 150#		
C20F144N140H4S	631	480	157-1/2	130-1/4	120	23	149	3 150#	150	4 150#	151	6 150#	153	8 150#		
C20F144N160H4S	722	480	177-1/2	150-1/4	140	23	169	3 150#	170	4 150#	171	6 150#	173	8 150#		
C20F144N180H4S	811	480	197-1/2	170-1/4	160	23	189	3 150#	190	4 150#	191	6 150#	193	8 150#		

Diameter (in.): 24

Watt Density (w/sq.in.): 12

GCI Circulation Heater Drawing No. IC-300 Dimensions (Inches) A, B, B1, C, D, E, F, G							D = 10-1/2 E = 12		Nozzles Option 1		Nozzles Option 2		Nozzles Option 3		Nozzles Option 4	
Catalog Number	kW	Volt	A	B	C	F	B1	G1(in.)	B1	G2(in.)	B1	G3(in)	B1	G4(in)		
C24F192N106H4S	667	480	126	95-1/2	85	27	116	6 150#	117	8 150#	118	10 150#	120	12 150#		
C24F192N120H4S	720	480	140	109-1/2	99	27	130	6 150#	131	8 150#	132	10 150#	134	12 150#		
C24F192N140H4S	840	480	160	129-1/2	119	27	150	6 150#	151	8 150#	152	10 150#	154	12 150#		
C24F192N160H4S	963	480	180	149-1/2	139	27	170	6 150#	171	8 150#	172	10 150#	174	12 150#		
C24F192N180H4S	1080	480	200	169-1/2	159	27	190	6 150#	191	8 150#	192	10 150#	194	12 150#		

Circulation Heaters

Type IC

Watt Density: 8

Diameter (in.): 2.5

Watt Density (w/sq.in.): 8

GCI Circulation Heater Drawing No. IC-300 Dimensions (Inches) A, B, B1, C, D, E, F, G							D = 3 E = N/A		Nozzles Option 1		Nozzles Option 2		Nozzles Option 3		Nozzles Option 4	
Catalog Number	kW	Volt	A	B	C	F	B1	G1(in.)	B1	G2(in.)	B1	G3(in)	B1	G4(in)		
C2F3N13M2Y	0.7	240	19	N/A	N/A	5-1/2	15	1 FNPT	17	2 FNPT	19	1 150#	20	2 150#		
C2F3N13M4Y	0.7	480	19	N/A	N/A	5-1/2	15	1 FNPT	17	2 FNPT	19	1 150#	20	2 150#		
C2F3N18M2Y	1	240	23	N/A	N/A	5-1/2	19	1 FNPT	21	2 FNPT	23	1 150#	24	2 150#		
C2F3N18M4Y	1	480	23	N/A	N/A	5-1/2	19	1 FNPT	21	2 FNPT	23	1 150#	24	2 150#		
C2F3N20M2Y	1.2	240	26	N/A	N/A	5-1/2	22	1 FNPT	24	2 FNPT	26	1 150#	27	2 150#		
C2F3N20M4Y	1.2	480	26	N/A	N/A	5-1/2	22	1 FNPT	24	2 FNPT	26	1 150#	27	2 150#		
C2F3N25M2Y	1.5	240	31	N/A	N/A	5-1/2	27	1 FNPT	29	2 FNPT	31	1 150#	32	2 150#		
C2F3N25M4Y	1.5	480	31	N/A	N/A	5-1/2	27	1 FNPT	29	2 FNPT	31	1 150#	32	2 150#		
C2F3N33M2Y	2	240	38	N/A	N/A	5-1/2	34	1 FNPT	36	2 FNPT	38	1 150#	39	2 150#		
C2F3N33M4Y	2	480	38	N/A	N/A	5-1/2	34	1 FNPT	36	2 FNPT	38	1 150#	39	2 150#		
C2F3N40M2Y	2.5	240	46	N/A	N/A	5-1/2	42	1 FNPT	44	2 FNPT	46	1 150#	47	2 150#		
C2F3N40M4Y	2.5	480	46	N/A	N/A	5-1/2	42	1 FNPT	44	2 FNPT	46	1 150#	47	2 150#		
C2F3N48M2Y	3	240	53	N/A	N/A	5-1/2	50	1 FNPT	52	2 FNPT	54	1 150#	55	2 150#		
C2F3N48M4Y	3	480	53	N/A	N/A	5-1/2	50	1 FNPT	52	2 FNPT	54	1 150#	55	2 150#		
C2F3N52M2Y	3.3	240	58	N/A	N/A	5-1/2	54	1 FNPT	56	2 FNPT	58	1 150#	59	2 150#		
C2F3N52M4Y	3.3	480	58	N/A	N/A	5-1/2	54	1 FNPT	56	2 FNPT	58	1 150#	59	2 150#		
C2F3N64M2Y	4.2	240	70	N/A	N/A	5-1/2	66	1 FNPT	68	2 FNPT	70	1 150#	71	2 150#		
C2F3N64M4Y	4.2	480	70	N/A	N/A	5-1/2	66	1 FNPT	68	2 FNPT	70	1 150#	71	2 150#		
C2F3N77M2Y	5	240	82	N/A	N/A	5-1/2	79	1 FNPT	81	2 FNPT	83	1 150#	84	2 150#		
C2F3N77M4Y	5	480	82	N/A	N/A	5-1/2	79	1 FNPT	81	2 FNPT	83	1 150#	84	2 150#		
C2F3N88M4Y	5.6	480	94	N/A	N/A	5-1/2	90	1 FNPT	92	2 FNPT	94	1 150#	95	2 150#		

Diameter (in.): 3

Watt Density (w/sq.in.): 8

GCI Circulation Heater Drawing No. IC-300 Dimensions (Inches) A, B, B1, C, D, E, F, G							D = 4 E = 6		Nozzles Option 1		Nozzles Option 2		Nozzles Option 3		Nozzles Option 4	
Catalog Number	kW	Volt	A	B	C	F	B1	G1(in.)	B1	G2(in.)	B1	G3(in)	B1	G4(in)		
C3F3N18M2Y	1	240	24-1/2	N/A	9	6-1/2	21	1 FNPT	23	2 FNPT	25	1 150#	26	3 150#		
C3F3N18M4Y	1	480	24-1/2	N/A	9	6-1/2	21	1 FNPT	23	2 FNPT	25	1 150#	26	3 150#		
C3F3N20M2Y	1.3	240	26-1/2	N/A	11	6-1/2	23	1 FNPT	25	2 FNPT	27	1 150#	28	3 150#		
C3F3N20M4Y	1.3	480	26-1/2	N/A	11	6-1/2	23	1 FNPT	25	2 FNPT	27	1 150#	28	3 150#		
C3F3N25M2Y	1.5	240	31-1/2	N/A	16	6-1/2	28	1 FNPT	30	2 FNPT	32	1 150#	33	3 150#		
C3F3N25M4Y	1.5	480	31-1/2	N/A	16	6-1/2	28	1 FNPT	30	2 FNPT	32	1 150#	33	3 150#		
C3F3N33M2Y	2	240	39-1/2	N/A	24	6-1/2	36	1 FNPT	38	2 FNPT	40	1 150#	41	3 150#		
C3F3N33M4Y	2	480	39-1/2	N/A	24	6-1/2	36	1 FNPT	38	2 FNPT	40	1 150#	41	3 150#		
C3F3N40M2Y	2.5	240	46-1/2	N/A	31	6-1/2	43	1 FNPT	45	2 FNPT	47	1 150#	48	3 150#		
C3F3N40M4Y	2.5	480	46-1/2	N/A	31	6-1/2	43	1 FNPT	45	2 FNPT	47	1 150#	48	3 150#		
C3F3N48M2Y	3	240	54-1/2	N/A	39	6-1/2	51	1 FNPT	53	2 FNPT	55	1 150#	56	3 150#		
C3F3N48M4Y	3	480	54-1/2	N/A	39	6-1/2	51	1 FNPT	53	2 FNPT	55	1 150#	56	3 150#		
C3F3N52M2Y	3.3	240	58-1/2	N/A	43	6-1/2	55	1 FNPT	57	2 FNPT	59	1 150#	60	3 150#		
C3F3N52M4Y	3.3	480	58-1/2	N/A	43	6-1/2	55	1 FNPT	57	2 FNPT	59	1 150#	60	3 150#		
C3F3N64M2Y	4.2	240	70-1/2	N/A	55	6-1/2	67	1 FNPT	69	2 FNPT	71	1 150#	72	3 150#		
C3F3N64M4Y	4.2	480	70-1/2	N/A	55	6-1/2	67	1 FNPT	69	2 FNPT	71	1 150#	72	3 150#		

Circulation Heaters

Type IC

Diameter (in.): 3

Watt Density (w/sq.in.): 8

GCI Circulation Heater Drawing No. IC-300 Dimensions (Inches) A, B, B1, C, D, E, F, G							D = 4 E = 6		Nozzles Option 1		Nozzles Option 2		Nozzles Option 3		Nozzles Option 4	
Catalog Number	kW	Volt	A	B	C	F	B1	G1(in.)	B1	G2(in.)	B1	G3(in)	B1	G4(in)		
C3F3N77M2Y	5	240	84-1/2	N/A	69	6-1/2	81	1 FNPT	83	2 FNPT	85	1 150#	86	3 150#		
C3F3N77M4Y	5	480	84-1/2	N/A	69	6-1/2	81	1 FNPT	83	2 FNPT	85	1 150#	86	3 150#		
C3F3N88M4Y	5.6	480	94-1/2	N/A	79	6-1/2	91	1 FNPT	93	2 FNPT	95	1 150#	96	3 150#		
C3F3N106M4Y	6.3	480	112-1/2	N/A	97	6-1/2	109	1 FNPT	111	2 FNPT	113	1 150#	114	3 150#		
C3F3N120M4Y	7.8	480	126-1/2	N/A	111	6-1/2	123	1 FNPT	125	2 FNPT	127	1 150#	128	3 150#		
C3F3N140M4Y	9	480	146-1/2	N/A	131	6-1/2	143	1 FNPT	145	2 FNPT	147	1 150#	148	2 150#		
C3F3N160M4Y	10	480	166-1/2	N/A	156	6-1/2	163	1 FNPT	165	2 FNPT	167	1 150#	168	3 150#		
C3F3N180M4Y	11	480	186-1/2		171	6-1/2	183	1 FNPT	185	2 FNPT	187	1 150#	188	3 150#		

Diameter (in.): 4

Watt Density (w/sq.in.): 8

GCI Circulation Heater Drawing No. IC-300 Dimensions (Inches) A, B, B1, C, D, E, F, G							D = 4 E = 6		Nozzles Option 1		Nozzles Option 2		Nozzles Option 3		Nozzles Option 4	
Catalog Number	kW	Volt	A	B	C	F	B1	G1(in.)	B1	G2(in.)	B1	G3(in)	B1	G4(in)		
C4F6N18M2Y	2	240	25	14	9	7-1/2	22	1 FNPT	23	2 FNPT	25	1 150#	26	3 150#		
C4F6N18M4Y	2	480	25	14	9	7-1/2	22	1 FNPT	23	2 FNPT	25	1 150#	26	3 150#		
C4F6N20M2Y	2.5	240	27	16	11	7-1/2	24	1 FNPT	25	2 FNPT	27	1 150#	28	3 150#		
C4F6N20M4Y	2.5	480	27	16	11	7-1/2	24	1 FNPT	25	2 FNPT	27	1 150#	28	3 150#		
C4F6N25M2Y	3	240	32	21	16	7-1/2	29	1 FNPT	30	2 FNPT	32	1 150#	33	3 150#		
C4F6N25M4Y	3	480	32	21	16	7-1/2	29	1 FNPT	30	2 FNPT	32	1 150#	33	3 150#		
C4F6N33M2Y	4	240	40	29	24	7-1/2	37	1 FNPT	38	2 FNPT	40	1 150#	41	3 150#		
C4F6N33M4Y	4	480	40	29	24	7-1/2	37	1 FNPT	38	2 FNPT	40	1 150#	41	3 150#		
C4F6N40M2Y	5	240	47	36	31	7-1/2	43	1 FNPT	44	2 FNPT	46	1 150#	47	3 150#		
C4F6N40M4Y	5	480	47	36	31	7-1/2	43	1 FNPT	44	2 FNPT	46	1 150#	47	3 150#		
C4F6N48M2Y	6	240	55	44	39	7-1/2	52	1 FNPT	53	2 FNPT	55	1 150#	56	3 150#		
C4F6N48M4Y	6	480	55	44	39	7-1/2	52	1 FNPT	53	2 FNPT	55	1 150#	56	3 150#		
C4F6N52M2Y	6.6	240	59	48	43	7-1/2	56	1 FNPT	57	2 FNPT	59	1 150#	60	3 150#		
C4F6N52M4Y	6.6	480	59	48	43	7-1/2	56	1 FNPT	57	2 FNPT	59	1 150#	60	3 150#		
C4F6N64M2Y	8.3	240	71	60	55	7-1/2	68	1 FNPT	69	2 FNPT	71	1 150#	72	3 150#		
C4F6N64M4Y	8.3	480	71	60	55	7-1/2	68	1 FNPT	69	2 FNPT	71	1 150#	72	3 150#		
C4F6N77M2Y	10	240	85	74	69	7-1/2	82	1 FNPT	83	2 FNPT	85	1 150#	86	3 150#		
C4F6N77M4Y	10	480	85	74	69	7-1/2	82	1 FNPT	83	2 FNPT	85	1 150#	86	3 150#		
C4F6N88M4Y	11.2	480	95	84	79	7-1/2	93	1 FNPT	94	2 FNPT	96	1 150#	97	3 150#		
C4F6N106M4Y	13	480	113	102	97	7-1/2	110	1 FNPT	111	2 FNPT	113	1 150#	114	3 150#		
C4F6N120M4Y	16	480	127	116	111	7-1/2	124	1 FNPT	125	2 FNPT	127	1 150#	128	3 150#		
C4F6N140M4Y	18	480	147	136	131	7-1/2	144	1 FNPT	145	2 FNPT	147	1 150#	148	3 150#		
C4F6N160M4Y	20	480	167	156	151	7-1/2	164	1 FNPT	165	2 FNPT	167	1 150#	168	3 150#		
C4F6N180M4Y	23	480	187	176	171	7-1/2	184	1 FNPT	185	2 FNPT	187	1 150#	188	3 150#		

Diameter (in.): 5

Watt Density (w/sq.in.): 8

GCI Circulation Heater Drawing No. IC-300 Dimensions (Inches) A, B, B1, C, D, E, F, G							D = 4-1/2 E = 8		Nozzles Option 1		Nozzles Option 2		Nozzles Option 3		Nozzles Option 4	
Catalog Number	kW	Volt	A	B	C	F	B1	G1(in.)	B1	G2(in.)	B1	G3(in)	B1	G4(in)		
C5F6N18M2Y	2	240	25-3/4	13-1/2	10	8-1/2	23	2 FNPT	24	2-1/2 FNPT	25	2 150#	26	3 150#		

Circulation Heaters

Type IC

Diameter (in.): 5

Watt Density (w/sq.in.): 8

GCI Circulation Heater Drawing No. IC-300 Dimensions (Inches) A, B, B1, C, D, E, F, G						D = 4-1/2 E = 8		Nozzles Option 1		Nozzles Option 2		Nozzles Option 3		Nozzles Option 4	
Catalog Number	kW	Volt	A	B	C	F	B1	G1(in.)	B1	G2(in.)	B1	G3(in)	B1	G4(in)	
C5F6N18M4Y	2	480	25-3/4	13-1/2	10	8-1/2	23	2 FNPT	24	2-1/2 FNPT	25	2 150#	26	3 150#	
C5F6N20M2Y	2.5	240	27-3/4	15-1/2	9-1/2	8-1/2	25	2 FNPT	26	2-1/2 FNPT	27	2 150#	28	3 150#	
C5F6N20M4Y	2.5	480	27-3/4	15-1/2	9-1/2	8-1/2	25	2 FNPT	26	2-1/2 FNPT	27	2 150#	28	3 150#	
C5F6N25M2Y	3	240	32-3/4	20-1/2	13-3/4	8-1/2	30	2 FNPT	31	2-1/2 FNPT	32	2 150#	33	3 150#	
C5F6N25M4Y	3	480	32-3/4	20-1/2	13-3/4	8-1/2	30	2 FNPT	31	2-1/2 FNPT	32	2 150#	33	3 150#	
C5F6N33M2Y	4	240	40-3/4	28-1/2	21-3/4	8-1/2	38	2 FNPT	39	2-1/2 FNPT	40	2 150#	41	3 150#	
C5F6N33M4Y	4	480	40-3/4	28-1/2	21-3/4	8-1/2	38	2 FNPT	39	2-1/2 FNPT	40	2 150#	41	3 150#	
C5F6N40M2Y	5	240	47-3/4	35-1/2	28-3/4	8-1/2	45	2 FNPT	46	2-1/2 FNPT	47	2 150#	48	3 150#	
C5F6N40M4Y	5	480	47-3/4	35-1/2	28-3/4	8-1/2	45	2 FNPT	46	2-1/2 FNPT	47	2 150#	48	3 150#	
C5F6N48M2Y	6	240	55-3/4	43-1/2	36-3/4	8-1/2	53	2 FNPT	54	2-1/2 FNPT	55	2 150#	56	3 150#	
C5F6N48M4Y	6	480	55-3/4	43-1/2	36-3/4	8-1/2	53	2 FNPT	54	2-1/2 FNPT	55	2 150#	56	3 150#	
C5F6N52M2Y	6.6	240	59-3/4	47-1/2	40-3/4	8-1/2	57	2 FNPT	58	2-1/2 FNPT	59	2 150#	60	3 150#	
C5F6N52M4Y	6.6	480	59-3/4	47-1/2	40-3/4	8-1/2	57	2 FNPT	58	2-1/2 FNPT	59	2 150#	60	3 150#	
C5F6N64M2Y	8.3	240	71-3/4	59-1/2	52-3/4	8-1/2	69	2 FNPT	70	2-1/2 FNPT	71	2 150#	72	3 150#	
C5F6N64M4Y	8.3	480	71-3/4	59-1/2	52-3/4	8-1/2	69	2 FNPT	70	2-1/2 FNPT	71	2 150#	72	3 150#	
C5F6N77M2Y	10	240	85-3/4	73-1/2	66-3/4	8-1/2	83	2 FNPT	84	2-1/2 FNPT	85	2 150#	86	3 150#	
C5F6N77M4Y	10	480	85-3/4	73-1/2	66-3/4	8-1/2	83	2 FNPT	84	2-1/2 FNPT	85	2 150#	86	3 150#	
C5F6N88M4Y	11.2	480	95-3/4	88-1/2	71-3/4	8-1/2	98	2 FNPT	99	2-1/2 FNPT	100	2 150#	101	3 150#	
C5F6N106M4Y	13	480	113-3/4	101-1/2	94-3/4	8-1/2	111	2 FNPT	112	2-1/2 FNPT	113	2 150#	114	3 150#	
C5F6N120M4Y	16	480	127-3/4	115-1/2	108-3/4	8-1/2	125	2 FNPT	126	2-1/2 FNPT	127	2 150#	128	3 150#	
C5F6N140M4Y	18	480	147-3/4	135-1/2	128-3/4	8-1/2	145	2 FNPT	146	2-1/2 FNPT	147	2 150#	148	3 150#	
C5F6N160M4Y	20	480	167-3/4	155-1/2	148-3/4	8-1/2	165	2 FNPT	166	2-1/2 FNPT	167	2 150#	168	3 150#	
C5F6N180M4Y	23	480	187-3/4	175-1/2	168-3/4	8-1/2	185	2 FNPT	186	2-1/2 FNPT	187	2 150#	188	3 150#	
C5F9N18M2Y	3	240	25-3/4	13-1/2	10	8-1/2	23	2 FNPT	24	2-1/2 FNPT	25	2 150#	26	3 150#	
C5F9N18M4Y	3	480	25-3/4	13-1/2	10	8-1/2	23	2 FNPT	24	2-1/2 FNPT	25	2 150#	26	3 150#	
C5F9N20M2Y	3.8	240	27-3/4	15-1/2	9-1/2	8-1/2	25	2 FNPT	26	2-1/2 FNPT	27	2 150#	28	3 150#	
C5F9N20M4Y	3.8	480	27-3/4	15-1/2	9-1/2	8-1/2	25	2 FNPT	26	2-1/2 FNPT	27	2 150#	28	3 150#	
C5F9N25M2Y	4.5	240	32-3/4	20-1/2	13-3/4	8-1/2	30	2 FNPT	31	2-1/2 FNPT	32	2 150#	33	3 150#	
C5F9N25M4Y	4.5	480	32-3/4	20-1/2	13-3/4	8-1/2	30	2 FNPT	31	2-1/2 FNPT	32	2 150#	33	3 150#	
C5F9N33M2Y	6	240	40-3/4	28-1/2	21-3/4	8-1/2	38	2 FNPT	39	2-1/2 FNPT	40	2 150#	41	3 150#	
C5F9N33M4Y	6	480	40-3/4	28-1/2	21-3/4	8-1/2	38	2 FNPT	39	2-1/2 FNPT	40	2 150#	41	3 150#	
C5F9N40M2Y	7.5	240	47-3/4	35-1/2	28-3/4	8-1/2	45	2 FNPT	46	2-1/2 FNPT	47	2 150#	48	3 150#	
C5F9N40M4Y	7.5	480	47-3/4	35-1/2	28-3/4	8-1/2	45	2 FNPT	46	2-1/2 FNPT	47	2 150#	48	3 150#	
C5F9N48M2Y	9	240	55-3/4	43-1/2	36-3/4	8-1/2	53	2 FNPT	54	2-1/2 FNPT	55	2 150#	56	3 150#	
C5F9N48M4Y	9	480	55-3/4	43-1/2	36-3/4	8-1/2	53	2 FNPT	54	2-1/2 FNPT	55	2 150#	56	3 150#	
C5F9N52M2Y	10	240	59-3/4	47-1/2	40-3/4	8-1/2	57	2 FNPT	58	2-1/2 FNPT	59	2 150#	60	3 150#	
C5F9N52M4Y	10	480	59-3/4	47-1/2	40-3/4	8-1/2	57	2 FNPT	58	2-1/2 FNPT	59	2 150#	60	3 150#	
C5F9N64M2Y	12.5	240	71-3/4	59-1/2	52-3/4	8-1/2	69	2 FNPT	70	2-1/2 FNPT	71	2 150#	72	3 150#	
C5F9N64M4Y	12.5	480	71-3/4	59-1/2	52-3/4	8-1/2	69	2 FNPT	70	2-1/2 FNPT	71	2 150#	72	3 150#	
C5F9N77M2Y	15	240	85-3/4	73-1/2	66-3/4	8-1/2	83	2 FNPT	84	2-1/2 FNPT	85	2 150#	86	3 150#	
C5F9N77M4Y	15	480	85-3/4	73-1/2	66-3/4	8-1/2	83	2 FNPT	84	2-1/2 FNPT	85	2 150#	86	3 150#	
C5F9N88M4Y	17	480	95-3/4	88-1/2	71-3/4	8-1/2	98	2 FNPT	99	2-1/2 FNPT	100	2 150#	101	3 150#	
C5F9N106M4Y	19	480	113-3/4	101-1/2	94-3/4	8-1/2	111	2 FNPT	112	2-1/2 FNPT	113	2 150#	114	3 150#	
C5F9N120M4Y	24	480	127-3/4	115-1/2	108-3/4	8-1/2	125	2 FNPT	126	2-1/2 FNPT	127	2 150#	128	3 150#	
C5F9N140M4Y	36	480	147-3/4	135-1/2	128-3/4	8-1/2	145	2 FNPT	146	2-1/2 FNPT	147	2 150#	148	3 150#	
C5F9N160M4Y	30	480	167-3/4	155-1/2	148-3/4	8-1/2	165	2 FNPT	166	2-1/2 FNPT	167	2 150#	168	3 150#	

Circulation Heaters

Type IC

Diameter (in.): 5

Watt Density (w/sq.in.): 8

GCI Circulation Heater Drawing No. IC-300 Dimensions (Inches) A, B, B1, C, D, E, F, G							D = 4-1/2 E = 8		Nozzles Option 1		Nozzles Option 2		Nozzles Option 3		Nozzles Option 4	
Catalog Number	kW	Volt	A	B	C	F	B1	G1(in.)	B1	G2(in.)	B1	G3(in)	B1	G4(in)		
C5F9N180M4Y	34	480	187-3/4	175-1/2	168-3/4	8-1/2	185	2 FNPT	186	2-1/2 FNPT	187	2 150#	188	3 150#		

Diameter (in.): 6

Watt Density (w/sq.in.): 8

GCI Circulation Heater Drawing No. IC-300 Dimensions (Inches) A, B, B1, C, D, E, F, G							D = 4-1/2 E = 8		Nozzles Option 1		Nozzles Option 2		Nozzles Option 3		Nozzles Option 4	
Catalog Number	kW	Volt	A	B	C	F	B1	G1(in.)	B1	G2(in.)	B1	G3(in)	B1	G4(in)		
C6F12N18M2Y	4	240	26-1/4	13-1/2	10	9-5/8	24	2 FNPT	24	2-1/2 FNPT	26	2 150#	27	3 150#		
C6F12N18M4Y	4	480	26-1/4	13-1/2	10	9-5/8	24	2 FNPT	24	2-1/2 FNPT	26	2 150#	27	3 150#		
C6F12N20M2Y	5	240	28-1/4	15-1/2	9-1/2	9-5/8	26	2 FNPT	26	2-1/2 FNPT	28	2 150#	29	3 150#		
C6F12N20M4Y	5	480	28-1/4	15-1/2	9-1/2	9-5/8	26	2 FNPT	26	2-1/2 FNPT	28	2 150#	29	3 150#		
C6F12N25M2Y	6	240	33-1/4	20-1/2	13-3/4	9-5/8	31	2 FNPT	31	2-1/2 FNPT	33	2 150#	34	3 150#		
C6F12N25M4Y	6	480	33-1/4	20-1/2	13-3/4	9-5/8	31	2 FNPT	31	2-1/2 FNPT	33	2 150#	34	3 150#		
C6F12N33M2Y	8	240	41-1/4	28-1/2	21-3/4	9-5/8	39	2 FNPT	39	2-1/2 FNPT	41	2 150#	42	3 150#		
C6F12N33M4Y	8	480	41-1/4	28-1/2	21-3/4	9-5/8	39	2 FNPT	39	2-1/2 FNPT	41	2 150#	42	3 150#		
C6F12N40M2Y	10	240	48-1/4	35-1/2	28-3/4	9-5/8	46	2 FNPT	46	2-1/2 FNPT	48	2 150#	49	3 150#		
C6F12N40M4Y	10	480	48-1/4	35-1/2	28-3/4	9-5/8	46	2 FNPT	46	2-1/2 FNPT	48	2 150#	49	3 150#		
C6F12N48M2Y	12	240	55-1/4	43-1/2	33-3/4	9-5/8	54	2 FNPT	54	2-1/2 FNPT	56	2 150#	57	3 150#		
C6F12N48M4Y	12	480	55-1/4	43-1/2	33-3/4	9-5/8	54	2 FNPT	54	2-1/2 FNPT	56	2 150#	57	3 150#		
C6F12N52M2Y	13	240	60-1/4	47-1/2	40-3/4	9-5/8	58	2 FNPT	58	2-1/2 FNPT	60	2 150#	61	3 150#		
C6F12N52M4Y	13	480	60-1/4	47-1/2	40-3/4	9-5/8	58	2 FNPT	58	2-1/2 FNPT	60	2 150#	61	3 150#		
C6F12N64M2Y	17	240	72-1/4	59-1/2	52-3/4	9-5/8	70	2 FNPT	70	2-1/2 FNPT	72	2 150#	73	3 150#		
C6F12N64M4Y	17	480	72-1/4	59-1/2	52-3/4	9-5/8	70	2 FNPT	70	2-1/2 FNPT	72	2 150#	73	3 150#		
C6F12N77M2Y	20	240	86-1/4	73-1/2	66-3/4	9-5/8	84	2 FNPT	84	2-1/2 FNPT	86	2 150#	87	3 150#		
C6F12N77M4Y	20	480	86-1/4	73-1/2	66-3/4	9-5/8	84	2 FNPT	84	2-1/2 FNPT	86	2 150#	87	3 150#		
C6F12N88M4Y	22	480	96-1/4	83-1/2	76-3/4	9-5/8	94	2 FNPT	94	2-1/2 FNPT	96	2 150#	97	3 150#		
C6F12N106M4Y	25	480	114-1/4	101-1/2	94-3/4	9-5/8	112	2 FNPT	112	2-1/2 FNPT	114	2 150#	115	3 150#		
C6F12N120M4Y	31	480	128-1/4	115-1/2	108-3/4	9-5/8	126	2 FNPT	126	2-1/2 FNPT	128	2 150#	129	3 150#		
C6F12N140M4Y	35	480	148-1/4	135-1/2	128-3/4	9-5/8	146	2 FNPT	146	2-1/2 FNPT	148	2 150#	149	3 150#		
C6F12N160M4Y	40	480	168-1/4	155-1/2	148-3/4	9-5/8	166	2 FNPT	166	2-1/2 FNPT	168	2 150#	169	3 150#		
C6F12N180M4Y	45	480	188-1/4	175-1/2	168-3/4	9-5/8	186	2 FNPT	186	2-1/2 FNPT	188	2 150#	189	3 150#		
C6F15N18M2Y	5	240	26-1/4	13-1/2	10	9-5/8	24	2 FNPT	24	2-1/2 FNPT	26	2 150#	27	3 150#		
C6F15N18M4Y	5	480	26-1/4	13-1/2	10	9-5/8	24	2 FNPT	24	2-1/2 FNPT	26	2 150#	27	3 150#		
C6F15N20M2Y	6.3	240	28-1/4	15-1/2	9-1/2	9-5/8	26	2 FNPT	26	2-1/2 FNPT	28	2 150#	29	3 150#		
C6F15N20M4Y	6.3	480	28-1/4	15-1/2	9-1/2	9-5/8	26	2 FNPT	26	2-1/2 FNPT	28	2 150#	29	3 150#		
C6F15N25M2Y	7.5	240	33-1/4	20-1/2	13-3/4	9-5/8	31	2 FNPT	31	2-1/2 FNPT	33	2 150#	34	3 150#		
C6F15N25M4Y	7.5	480	33-1/4	20-1/2	13-3/4	9-5/8	31	2 FNPT	31	2-1/2 FNPT	33	2 150#	34	3 150#		
C6F15N33M2Y	10	240	41-1/4	28-1/2	21-3/4	9-5/8	39	2 FNPT	39	2-1/2 FNPT	41	2 150#	42	3 150#		
C6F15N33M4Y	10	480	41-1/4	28-1/2	21-3/4	9-5/8	39	2 FNPT	39	2-1/2 FNPT	41	2 150#	42	3 150#		
C6F15N40M2Y	12.5	240	48-1/4	35-1/2	28-3/4	9-5/8	46	2 FNPT	46	2-1/2 FNPT	48	2 150#	49	3 150#		
C6F15N40M4Y	12.5	480	48-1/4	35-1/2	28-3/4	9-5/8	46	2 FNPT	46	2-1/2 FNPT	48	2 150#	49	3 150#		
C6F15N48M2Y	15	240	55-1/4	43-1/2	33-3/4	9-5/8	54	2 FNPT	54	2-1/2 FNPT	56	2 150#	57	3 150#		
C6F15N48M4Y	15	480	55-1/4	43-1/2	33-3/4	9-5/8	54	2 FNPT	54	2-1/2 FNPT	56	2 150#	57	3 150#		
C6F15N64M2Y	21	240	72-1/4	59-1/2	52-3/4	9-5/8	70	2 FNPT	70	2-1/2 FNPT	72	2 150#	73	3 150#		
C6F15N64M4Y	21	480	72-1/4	59-1/2	52-3/4	9-5/8	70	2 FNPT	70	2-1/2 FNPT	72	2 150#	73	3 150#		
C6F15N77M2Y	25	240	86-1/4	73-1/2	66-3/4	9-5/8	84	2 FNPT	84	2-1/2 FNPT	86	2 150#	87	3 150#		

Circulation Heaters

Type IC

Diameter (in.): 6

Watt Density (w/sq.in.): 8

GCI Circulation Heater Drawing No. IC-300 Dimensions (Inches) A, B, B1, C, D, E, F, G							D = 4-1/2 E = 8		Nozzles Option 1		Nozzles Option 2		Nozzles Option 3		Nozzles Option 4	
Catalog Number	kW	Volt	A	B	C	F	B1	G1(in.)	B1	G2(in.)	B1	G3(in)	B1	G4(in)		
C6F15N77M4Y	25	480	86-1/4	73-1/2	66-3/4	9-5/8	84	2 FNPT	84	2-1/2 FNPT	86	2 150#	87	3 150#		
C6F15N88M4Y	28	480	96-1/4	83-1/2	76-3/4	9-5/8	94	2 FNPT	94	2-1/2 FNPT	96	2 150#	97	3 150#		
C6F15N106M4Y	32	480	114-1/4	101-1/2	94-3/4	9-5/8	112	2 FNPT	112	2-1/2 FNPT	114	2 150#	115	3 150#		
C6F15N120M4Y	39	480	128-1/4	115-1/2	108-3/4	9-5/8	126	2 FNPT	126	2-1/2 FNPT	128	2 150#	129	3 150#		
C6F15N140M4Y	44	480	148-1/4	135-1/2	128-3/4	9-5/8	146	2 FNPT	146	2-1/2 FNPT	148	2 150#	149	3 150#		
C6F15N160M4Y	51	480	168-1/4	155-1/2	148-3/4	9-5/8	166	2 FNPT	166	2-1/2 FNPT	168	2 150#	169	3 150#		
C6F15N180M4Y	56	480	188-1/4	175-1/2	168-3/4	9-5/8	186	2 FNPT	186	2-1/2 FNPT	188	2 150#	189	3 150#		

Diameter (in.): 8

Watt Density (w/sq.in.): 8

GCI Circulation Heater Drawing No. IC-300 Dimensions (Inches) A, B, B1, C, D, E, F, G							D = 5 E = 8-1/2		Nozzles Option 1		Nozzles Option 2		Nozzles Option 3		Nozzles Option 4	
Catalog Number	kW	Volt	A	B	C	F	B1	G1(in.)	B1	G2(in.)	B1	G3(in)	B1	G4(in)		
C8F18N52M4Y	20	480	61-1/4	47	39-1/4	11-5/8	58	2 FNPT	59	2-1/2 FNPT	60	2 150#	61	3 150#		
C8F18N64M4Y	26	480	73-1/4	59	51-1/4	11-5/8	70	2 FNPT	71	2-1/2 FNPT	72	2 150#	73	3 150#		
C8F18N77M4Y	30	480	87-1/4	73	65-1/4	11-5/8	84	2 FNPT	85	2-1/2 FNPT	86	2 150#	87	3 150#		
C8F18N88M4Y	34	480	97-1/4	83	75-1/4	11-5/8	94	2 FNPT	95	2-1/2 FNPT	96	2 150#	97	3 150#		
C8F18N106M4Y	38	480	115-1/4	101	93-1/4	11-5/8	112	2 FNPT	113	2-1/2 FNPT	114	2 150#	115	3 150#		
C8F18N120M4Y	47	480	123-1/4	115	107-1/4	11-5/8	126	2 FNPT	127	2-1/2 FNPT	128	2 150#	129	3 150#		
C8F18N140M4Y	52	480	149-1/4	135	127-1/4	11-5/8	146	2 FNPT	147	2-1/2 FNPT	148	2 150#	149	3 150#		
C8F18N160M4Y	60	480	169-1/4	155	147-1/4	11-5/8	166	2 FNPT	167	2-1/2 FNPT	168	2 150#	169	3 150#		
C8F18N180M4Y	68	480	189-1/4	175	167-1/4	11-5/8	186	2 FNPT	187	2-1/2 FNPT	188	2 150#	189	3 150#		
C8F24N52M4Y	27	480	61-1/4	47	39-1/4	11-5/8	58	2 FNPT	59	2-1/2 FNPT	60	2 150#	61	3 150#		
C8F24N64M4Y	34	480	73-1/4	59	51-1/4	11-5/8	70	2 FNPT	71	2-1/2 FNPT	72	2 150#	73	3 150#		
C8F24N77M4Y	40	480	87-1/4	73	65-1/4	11-5/8	84	2 FNPT	85	2-1/2 FNPT	86	2 150#	87	3 150#		
C8F24N88M4Y	45	480	97-1/4	83	75-1/4	11-5/8	94	2 FNPT	95	2-1/2 FNPT	96	2 150#	97	3 150#		
C8F24N106M4Y	50	480	115-1/4	101	93-1/4	11-5/8	112	2 FNPT	113	2-1/2 FNPT	114	2 150#	115	3 150#		
C8F24N120M4Y	62	480	123-1/4	115	107-1/4	11-5/8	126	2 FNPT	127	2-1/2 FNPT	128	2 150#	129	3 150#		
C8F24N140M4Y	70	480	149-1/4	135	127-1/4	11-5/8	146	2 FNPT	147	2-1/2 FNPT	148	2 150#	149	3 150#		
C8F24N160M4Y	81	480	169-1/4	155	147-1/4	11-5/8	166	2 FNPT	167	2-1/2 FNPT	168	2 150#	169	3 150#		
C8F24N180M4Y	90	480	189-1/4	175	167-1/4	11-5/8	186	2 FNPT	187	2-1/2 FNPT	188	2 150#	189	3 150#		

Diameter (in.): 10

Watt Density (w/sq.in.): 8

GCI Circulation Heater Drawing No. IC-300 Dimensions (Inches) A, B, B1, C, D, E, F, G							D = 6-3/4 E = 10		Nozzles Option 1		Nozzles Option 2		Nozzles Option 3		Nozzles Option 4	
Catalog Number	kW	Volt	A	B	C	F	B1	G1(in.)	B1	G2(in.)	B1	G3(in)	B1	G4(in)		
C10F27N52M4Y	30	480	63-1/4	45-1/4	46-3/4	15	60	3 150#	61	4 150#	62	6 150#	63	8 150#		
C10F27N64M4Y	38	480	75-1/4	57-1/4	58-3/4	15	72	3 150#	73	4 150#	74	6 150#	75	8 150#		
C10F27N77M4Y	45	480	89-1/4	71-1/4	72-3/4	15	86	3 150#	87	4 150#	88	6 150#	89	8 150#		
C10F27N88M4Y	50	480	99-1/4	81-1/4	82-3/4	15	96	3 150#	97	4 150#	98	6 150#	99	8 150#		
C10F27N106M4Y	57	480	117-1/4	99-1/4	100-3/4	15	114	3 150#	115	4 150#	116	6 150#	117	8 150#		
C10F27N120M4Y	70	480	131-1/4	113-1/4	114-3/4	15	128	3 150#	129	4 150#	130	6 150#	131	8 150#		
C10F36N52M4Y	40	480	63-1/4	45-1/4	46-3/4	15	60	3 150#	61	4 150#	62	6 150#	63	8 150#		
C10F36N64M4Y	51	480	75-1/4	57-1/4	58-3/4	15	72	3 150#	73	4 150#	74	6 150#	75	8 150#		

Circulation Heaters

Type IC

Diameter (in.): 10

Watt Density (w/sq.in.): 8

GCI Circulation Heater Drawing No. IC-300 Dimensions (Inches) A, B, B1, C, D, E, F, G							D = 6-3/4 E = 10		Nozzles Option 1		Nozzles Option 2		Nozzles Option 3		Nozzles Option 4	
Catalog Number	kW	Volt	A	B	C	F	B1	G1(in.)	B1	G2(in.)	B1	G3(in)	B1	G4(in)		
C10F36N77M4Y	60	480	89-1/4	71-1/4	72-3/4	15	86	3 150#	87	4 150#	88	6 150#	89	8 150#		
C10F36N88M4Y	67	480	99-1/4	81-1/4	82-3/4	15	96	3 150#	97	4 150#	98	6 150#	99	8 150#		
C10F36N106M4Y	76	480	117-1/4	99-1/4	100-3/4	15	114	3 150#	115	4 150#	116	6 150#	117	8 150#		
C10F36N120M4Y	94	480	131-1/4	113-1/4	114-3/4	15	128	3 150#	129	4 150#	130	6 150#	131	8 150#		
C10F36N140M4Y	105	480	151-1/4	133-1/4	134-3/4	15	148	3 150#	149	4 150#	150	6 150#	151	8 150#		
C10F36N160M4Y	121	480	171-1/4	153-1/4	154-3/4	15	168	3 150#	169	4 150#	170	6 150#	171	8 150#		
C10F36N180M4Y	135	480	191-1/4	173-1/4	174-3/4	15	188	3 150#	189	4 150#	190	6 150#	191	8 150#		

Diameter (in.): 12

Watt Density (w/sq.in.): 8

GCI Circulation Heater Drawing No. IC-300 Dimensions (Inches) A, B, B1, C, D, E, F, G							D = 6 E = 10		Nozzles Option 1		Nozzles Option 2		Nozzles Option 3		Nozzles Option 4	
Catalog Number	kW	Volt	A	B	C	F	B1	G1(in.)	B1	G2(in.)	B1	G3(in)	B1	G4(in)		
C12F48N52M4Y	53	480	63-1/4	46	37-1/4	16	61	3 150#	62	4 150#	63	6 150#	64	8 150#		
C12F48N64M4Y	68	480	75-1/4	58	49-1/4	16	73	3 150#	74	4 150#	75	6 150#	76	8 150#		
C12F48N77M4Y	80	480	89-1/4	72	63-1/4	16	92	3 150#	93	4 150#	94	6 150#	95	8 150#		
C12F48N88M4Y	90	480	99-1/4	82	73-1/4	16	97	3 150#	98	4 150#	99	6 150#	100	8 150#		
C12F48N106M4Y	100	480	117-1/4	100	91-1/4	16	115	3 150#	116	4 150#	117	6 150#	118	8 150#		
C12F48N120M4Y	124	480	131-1/4	114	105-1/4	16	129	3 150#	130	4 150#	131	6 150#	132	8 150#		
C12F48N140M4Y	140	480	151-1/4	134	129-1/4	16	149	3 150#	150	4 150#	151	6 150#	152	8 150#		
C12F48N160M4Y	161	480	171-1/4	154	145-1/4	16	169	3 150#	170	4 150#	171	6 150#	172	8 150#		
C12F48N180M4Y	180	480	191-1/4	174	165-1/4	16	189	3 150#	190	4 150#	191	6 150#	192	8 150#		

Diameter (in.): 14

Watt Density (w/sq.in.): 8

GCI Circulation Heater Drawing No. IC-300 Dimensions (Inches) A, B, B1, C, D, E, F, G							D = 6 E = 10		Nozzles Option 1		Nozzles Option 2		Nozzles Option 3		Nozzles Option 4	
Catalog Number	kW	Volt	A	B	C	F	B1	G1(in.)	B1	G2(in.)	B1	G3(in)	B1	G4(in)		
C14F54N52M4Y	60	480	63-3/4	46	37-1/4	17	62	3 150#	63	4 150#	64	6 150#	65	8 150#		
C14F54N64M4Y	77	480	75-3/4	58	49-1/4	17	74	3 150#	75	4 150#	76	6 150#	77	8 150#		
C14F54N77M4Y	90	480	89-3/4	72	63-1/4	17	87	3 150#	88	4 150#	89	6 150#	90	8 150#		
C14F54N88M4Y	100	480	99-3/4	82	73-1/4	17	98	3 150#	99	4 150#	100	6 150#	101	8 150#		
C14F54N106M4Y	113	480	117-3/4	100	91-1/4	17	116	3 150#	117	4 150#	118	6 150#	119	8 150#		
C14F54N120M4Y	140	480	131-3/4	114	105-1/4	17	130	3 150#	131	4 150#	132	6 150#	133	8 150#		
C14F54N140M4Y	157	480	151-3/4	134	129-1/4	17	150	3 150#	151	4 150#	152	6 150#	153	8 150#		
C14F54N160M4Y	181	480	171-1/4	154	145-1/4	17	170	3 150#	171	4 150#	172	6 150#	173	8 150#		
C14F54N180M4Y	203	480	191-3/4	174	165-1/4	17	190	3 150#	191	4 150#	192	6 150#	193	8 150#		
C14F60N140M4Y	175	480	151-3/4	134	129-1/4	17	150	3 150#	151	4 150#	152	6 150#	153	8 150#		
C14F60N160M4Y	201	480	171-1/4	154	145-1/4	17	170	3 150#	171	4 150#	172	6 150#	173	8 150#		
C14F60N180M4Y	225	480	191-3/4	174	165-1/4	17	190	3 150#	191	4 150#	192	6 150#	193	8 150#		
C14F72N140M4Y	210	480	151-3/4	134	129-1/4	17	150	3 150#	151	4 150#	152	6 150#	153	8 150#		
C14F72N160M4Y	241	480	171-1/4	154	145-1/4	17	170	3 150#	171	4 150#	172	6 150#	173	8 150#		
C14F72N180M4Y	270	480	191-3/4	174	165-1/4	17	190	3 150#	191	4 150#	192	6 150#	193	8 150#		

Circulation Heaters

Type IC

Diameter (in.): 16

Watt Density (w/sq.in.): 8

GCI Circulation Heater Drawing No. IC-300 Dimensions (Inches) A, B, B1, C, D, E, F, G							D = 8-1/2 E = 10		Nozzles Option 1		Nozzles Option 2		Nozzles Option 3		Nozzles Option 4	
Catalog Number	kW	Volt	A	B	C	F	B1	G1(in.)	B1	G2(in.)	B1	G3(in)	B1	G4(in)		
C16F84N140M4Y	245	480	154-1/4	131-1/2	123-1/4	19	148	3 150#	149	4 150#	150	6 150#	151	8 150#		
C16F84N160M4Y	282	480	174-1/4	151-1/2	143-1/4	19	168	3 150#	169	4 150#	170	6 150#	171	8 150#		
C16F84N180M4Y	315	480	194-1/4	171-1/2	164-1/4	19	188	3 150#	189	4 150#	190	6 150#	191	8 150#		

Diameter (in.): 18

Watt Density (w/sq.in.): 8

GCI Circulation Heater Drawing No. IC-300 Dimensions (Inches) A, B, B1, C, D, E, F, G							D = 9-1/2 E = 12		Nozzles Option 1		Nozzles Option 2		Nozzles Option 3		Nozzles Option 4	
Catalog Number	kW	Volt	A	B	C	F	B1	G1(in.)	B1	G2(in.)	B1	G3(in)	B1	G4(in)		
C18F108N140M4Y	315	480	156-1/2	130-1/2	120	21	147	3 150#	148	4 150#	149	6 150#	151	8 150#		
C18F108N160M4Y	362	480	176-1/2	150-1/2	140	21	167	3 150#	168	4 150#	169	6 150#	171	8 150#		
C18F108N180M4Y	405	480	196-1/2	170-1/2	160	21	187	3 150#	188	4 150#	189	6 150#	191	8 150#		

Diameter (in.): 20

Watt Density (w/sq.in.): 8

GCI Circulation Heater Drawing No. IC-300 Dimensions (Inches) A, B, B1, C, D, E, F, G							D = 9-3/4 E = 12		Nozzles Option 1		Nozzles Option 2		Nozzles Option 3		Nozzles Option 4	
Catalog Number	kW	Volt	A	B	C	F	B1	G1(in.)	B1	G2(in.)	B1	G3(in)	B1	G4(in)		
C20F144N140M4Y	420	480	157-1/2	130-1/4	120	23	149	3 150#	150	4 150#	151	6 150#	153	8 150#		
C20F144N160M4Y	483	480	177-1/2	150-1/4	140	23	169	3 150#	170	4 150#	171	6 150#	173	8 150#		
C20F144N180M4Y	540	480	197-1/2	170-1/4	160	23	189	3 150#	190	4 150#	191	6 150#	193	8 150#		

Diameter (in.): 24

Watt Density (w/sq.in.): 8

GCI Circulation Heater Drawing No. IC-300 Dimensions (Inches) A, B, B1, C, D, E, F, G							D = 10-1/2 E = 12		Nozzles Option 1		Nozzles Option 2		Nozzles Option 3		Nozzles Option 4	
Catalog Number	kW	Volt	A	B	C	F	B1	G1(in.)	B1	G2(in.)	B1	G3(in)	B1	G4(in)		
C24F192N140M4Y	560	480	160	129-1/2	119	27	150	6 150#	151	8 150#	152	10 150#	154	12 150#		
C24F192N160M4Y	643	480	180	149-1/2	139	27	170	6 150#	171	8 150#	172	10 150#	174	12 150#		
C24F192N180M4Y	720	480	200	169-1/2	159	27	190	6 150#	191	8 150#	192	10 150#	194	12 150#		

Circulation Heaters

Type IC

Watt Density: 6

Diameter (in.): 2.5

Watt Density (w/sq.in.): 6

GCI Circulation Heater Drawing No. IC-300 Dimensions (Inches) A, B, B1, C, D, E, F, G						D = 3 E = N/A		Nozzles Option 1		Nozzles Option 2		Nozzles Option 3		Nozzles Option 4	
Catalog Number	kW	Volt	A	B	C	F	B1	G1(in.)	B1	G2(in.)	B1	G3(in)	B1	G4(in)	
C2F3N18M2D	0.75	120	24	N/A	N/A	5-1/2	20	1 FNPT	22	2 FNPT	24	1 150#	25	2 150#	
C2F3N18M4D	0.8	240	24	N/A	N/A	5-1/2	19	1 FNPT	21	2 FNPT	23	1 150#	24	2 150#	
C2F3N20M2D	0.95	120	26	N/A	N/A	5-1/2	22	1 FNPT	24	2 FNPT	26	1 150#	27	2 150#	
C2F3N20M4D	1	240	26	N/A	N/A	5-1/2	22	1 FNPT	24	2 FNPT	26	1 150#	27	2 150#	
C2F3N25M2D	1.125	120	31	N/A	N/A	5-1/2	27	1 FNPT	29	2 FNPT	31	1 150#	32	2 150#	
C2F3N25M4D	1.1	240	31	N/A	N/A	5-1/2	27	1 FNPT	29	2 FNPT	31	1 150#	32	2 150#	
C2F3N33M2D	1.5	120	39	N/A	N/A	5-1/2	35	1 FNPT	37	2 FNPT	38	1 150#	40	2 150#	
C2F3N33M4D	1.5	240	39	N/A	N/A	5-1/2	35	1 FNPT	37	2 FNPT	38	1 150#	40	2 150#	
C2F3N40M2D	1.875	120	46	N/A	N/A	5-1/2	42	1 FNPT	44	2 FNPT	46	1 150#	47	2 150#	
C2F3N40M4D	1.9	240	46	N/A	N/A	5-1/2	42	1 FNPT	44	2 FNPT	46	1 150#	47	2 150#	
C2F3N48M2D	2.25	120	54	N/A	N/A	5-1/2	50	1 FNPT	52	2 FNPT	54	1 150#	55	2 150#	
C2F3N48M4D	2.3	240	54	N/A	N/A	5-1/2	50	1 FNPT	52	2 FNPT	54	1 150#	55	2 150#	
C2F3N52M2D	2.5	120	58	N/A	N/A	5-1/2	54	1 FNPT	56	2 FNPT	58	1 150#	59	2 150#	
C2F3N52M4D	2.5	240	58	N/A	N/A	5-1/2	54	1 FNPT	55	2 FNPT	57	1 150#	58	2 150#	
C2F3N64M2D	3.125	120	70	N/A	N/A	5-1/2	66	1 FNPT	68	2 FNPT	70	1 150#	71	2 150#	
C2F3N64M4D	3.1	240	70	N/A	N/A	5-1/2	66	1 FNPT	68	2 FNPT	70	1 150#	71	2 150#	
C2F3N77M2D	3.75	120	83	N/A	N/A	5-1/2	79	1 FNPT	81	2 FNPT	83	1 150#	84	2 150#	
C2F3N77M4D	38	240	83	N/A	N/A	5-1/2	79	1 FNPT	81	2 FNPT	83	1 150#	84	2 150#	
C2F3N88M4D	4.2	240	94	N/A	N/A	5-1/2	90	1 FNPT	92	2 FNPT	94	1 150#	95	2 150#	
C2F3N106M4D	4.7	240	112	N/A	N/A	5-1/2	108	1 FNPT	110	2 FNPT	112	1 150#	113	2 150#	
C2F3N120M4D	5.9	240	126	N/A	N/A	5-1/2	122	1 FNPT	124	2 FNPT	126	1 150#	127	2 150#	

Diameter (in.): 4

Watt Density (w/sq.in.): 6

GCI Circulation Heater Drawing No. IC-300 Dimensions (Inches) A, B, B1, C, D, E, F, G						D = 4 E = 6		Nozzles Option 1		Nozzles Option 2		Nozzles Option 3		Nozzles Option 4	
Catalog Number	kW	Volt	A	B	C	F	B1	G1(in.)	B1	G2(in.)	B1	G3(in)	B1	G4(in)	
C4F6N18M2S	1.5	240	25	14	9	7-1/2	22	1 FNPT	23	2 FNPT	25	1 150#	26	3 150#	
C4F6N18M4S	1.5	480	25	14	9	7-1/2	22	1 FNPT	23	2 FNPT	25	1 150#	26	3 150#	
C4F6N20M2S	1.9	240	27	16	11	7-1/2	24	1 FNPT	25	2 FNPT	27	1 150#	28	3 150#	
C4F6N20M4S	1.9	480	27	16	11	7-1/2	24	1 FNPT	25	2 FNPT	27	1 150#	28	3 150#	
C4F6N25M2S	2.2	240	32	21	16	7-1/2	29	1 FNPT	30	2 FNPT	32	1 150#	33	3 150#	
C4F6N25M4S	2.2	480	32	21	16	7-1/2	29	1 FNPT	30	2 FNPT	32	1 150#	33	3 150#	
C4F6N33M2S	3	240	40	29	24	7-1/2	37	1 FNPT	38	2 FNPT	40	1 150#	41	3 150#	
C4F6N33M4S	3	480	40	29	24	7-1/2	37	1 FNPT	38	2 FNPT	40	1 150#	41	3 150#	
C4F6N40M2S	3.7	240	47	36	31	7-1/2	44	1 FNPT	45	2 FNPT	47	1 150#	48	3 150#	
C4F6N40M4S	3.7	480	47	36	31	7-1/2	43	1 FNPT	44	2 FNPT	46	1 150#	47	3 150#	
C4F6N48M2S	4.5	240	55	44	39	7-1/2	52	1 FNPT	53	2 FNPT	55	1 150#	56	3 150#	
C4F6N48M4S	4.5	480	55	44	39	7-1/2	52	1 FNPT	53	2 FNPT	55	1 150#	56	3 150#	
C4F6N52M2S	5	240	59	48	43	7-1/2	56	1 FNPT	57	2 FNPT	59	1 150#	60	3 150#	
C4F6N52M4S	5	480	59	48	43	7-1/2	56	1 FNPT	57	2 FNPT	59	1 150#	60	3 150#	
C4F6N64M2S	6.2	240	71	60	55	7-1/2	68	1 FNPT	69	2 FNPT	71	1 150#	72	3 150#	
C4F6N64M4S	6.2	480	71	60	55	7-1/2	68	1 FNPT	69	2 FNPT	71	1 150#	72	3 150#	

Circulation Heaters

Type IC

Diameter (in.): 4

Watt Density (w/sq.in.): 6

GCI Circulation Heater Drawing No. IC-300 Dimensions (Inches) A, B, B1, C, D, E, F, G							D = 4 E = 6		Nozzles Option 1		Nozzles Option 2		Nozzles Option 3		Nozzles Option 4	
Catalog Number	kW	Volt	A	B	C	F	B1	G1(in.)	B1	G2(in.)	B1	G3(in)	B1	G4(in)		
C4F6N77M2S	7.5	240	85	74	69	7-1/2	82	1 FNPT	83	2 FNPT	85	1 150#	86	3 150#		
C4F6N77M4S	7.5	480	85	74	69	7-1/2	82	1 FNPT	83	2 FNPT	85	1 150#	86	3 150#		
C4F6N88M4S	8.4	480	95	84	79	7-1/2	93	1 FNPT	94	2 FNPT	96	1 150#	97	3 150#		
C4F6N106M4S	9.4	480	113	102	97	7-1/2	110	1 FNPT	111	2 FNPT	113	1 150#	114	3 150#		
C4F6N120M4S	11.6	480	127	116	111	7-1/2	124	1 FNPT	125	2 FNPT	127	1 150#	128	3 150#		
C4F6N140M4D	13	240	147	136	131	7-1/2	144	1 FNPT	145	2 FNPT	147	1 150#	148	3 150#		
C4F6N140M4S	13	480	147	136	131	7-1/2	144	1 FNPT	145	2 FNPT	147	1 150#	148	3 150#		
C4F6N160M4D	15	240	167	156	151	7-1/2	164	1 FNPT	165	2 FNPT	167	1 150#	168	3 150#		
C4F6N160M4S	15	480	167	156	151	7-1/2	164	1 FNPT	165	2 FNPT	167	1 150#	168	3 150#		
C4F6N180M4D	17	240	187	176	171	7-1/2	184	1 FNPT	185	2 FNPT	187	1 150#	188	3 150#		
C4F6N180M4S	17	480	187	176	171	7-1/2	184	1 FNPT	185	2 FNPT	187	1 150#	188	3 150#		

Diameter (in.): 5

Watt Density (w/sq.in.): 6

GCI Circulation Heater Drawing No. IC-300 Dimensions (Inches) A, B, B1, C, D, E, F, G							D = 4-1/2 E = 8		Nozzles Option 1		Nozzles Option 2		Nozzles Option 3		Nozzles Option 4	
Catalog Number	kW	Volt	A	B	C	F	B1	G1(in.)	B1	G2(in.)	B1	G3(in)	B1	G4(in)		
C5F6N18M2S	1.5	240	25-3/4	13-1/2	10	8-1/2	23	2 FNPT	24	2-1/2 FNPT	25	2 150#	26	3 150#		
C5F6N18M4S	1.5	480	25-3/4	13-1/2	10	8-1/2	23	2 FNPT	24	2-1/2 FNPT	25	2 150#	26	3 150#		
C5F6N20M2S	1.9	240	27-3/4	15-1/2	9-1/2	8-1/2	25	2 FNPT	26	2-1/2 FNPT	27	2 150#	28	3 150#		
C5F6N20M4S	1.9	480	27-3/4	15-1/2	9-1/2	8-1/2	25	2 FNPT	26	2-1/2 FNPT	27	2 150#	28	3 150#		
C5F6N25M2S	2.2	240	32-3/4	20-1/2	13-3/4	8-1/2	30	2 FNPT	31	2-1/2 FNPT	32	2 150#	33	3 150#		
C5F6N25M4S	2.2	480	32-3/4	20-1/2	13-3/4	8-1/2	30	2 FNPT	31	2-1/2 FNPT	32	2 150#	33	3 150#		
C5F6N33M2S	3	240	40-3/4	28-1/2	21-3/4	8-1/2	38	2 FNPT	39	2-1/2 FNPT	40	2 150#	41	3 150#		
C5F6N33M4S	3	480	40-3/4	28-1/2	21-3/4	8-1/2	38	2 FNPT	39	2-1/2 FNPT	40	2 150#	41	3 150#		
C5F6N40M2S	3.7	240	47-3/4	35-1/2	28-3/4	8-1/2	45	2 FNPT	46	2-1/2 FNPT	47	2 150#	48	3 150#		
C5F6N40M4S	3.7	480	47-3/4	35-1/2	28-3/4	8-1/2	45	2 FNPT	46	2-1/2 FNPT	47	2 150#	48	3 150#		
C5F6N48M2S	4.5	240	55-3/4	43-1/2	36-3/4	8-1/2	53	2 FNPT	54	2-1/2 FNPT	55	2 150#	56	3 150#		
C5F6N48M4S	4.5	480	55-3/4	43-1/2	36-3/4	8-1/2	53	2 FNPT	54	2-1/2 FNPT	55	2 150#	56	3 150#		
C5F6N52M2S	5	240	59-3/4	47-1/2	40-3/4	8-1/2	57	2 FNPT	58	2-1/2 FNPT	59	2 150#	60	3 150#		
C5F6N52M4S	5	480	59-3/4	47-1/2	40-3/4	8-1/2	57	2 FNPT	58	2-1/2 FNPT	59	2 150#	60	3 150#		
C5F6N64M2S	6.2	240	71-3/4	59-1/2	52-3/4	8-1/2	69	2 FNPT	70	2-1/2 FNPT	71	2 150#	72	3 150#		
C5F6N64M4S	6.2	480	71-3/4	59-1/2	52-3/4	8-1/2	69	2 FNPT	70	2-1/2 FNPT	71	2 150#	72	3 150#		
C5F6N77M2S	7.5	240	85-3/4	73-1/2	66-3/4	8-1/2	83	2 FNPT	84	2-1/2 FNPT	85	2 150#	86	3 150#		
C5F6N77M4S	7.5	480	85-3/4	73-1/2	66-3/4	8-1/2	83	2 FNPT	84	2-1/2 FNPT	85	2 150#	86	3 150#		
C5F6N88M4S	8.4	480	95-3/4	88-1/2	71-3/4	8-1/2	98	2 FNPT	99	2-1/2 FNPT	100	2 150#	101	3 150#		
C5F6N106M4S	9.4	480	113-3/4	101-1/2	94-3/4	8-1/2	111	2 FNPT	112	2-1/2 FNPT	113	2 150#	114	3 150#		
C5F6N120M4S	11.6	480	127-3/4	115-1/2	108-3/4	8-1/2	125	2 FNPT	126	2-1/2 FNPT	127	2 150#	128	3 150#		
C5F6N140M4D	13	240	147-3/4	135-1/2	128-3/4	8-1/2	145	2 FNPT	146	2-1/2 FNPT	147	2 150#	148	3 150#		
C5F6N140M4S	13	480	147-3/4	135-1/2	128-3/4	8-1/2	145	2 FNPT	146	2-1/2 FNPT	147	2 150#	148	3 150#		
C5F6N160M4D	15	240	167-3/4	155-1/2	148-3/4	8-1/2	165	2 FNPT	166	2-1/2 FNPT	167	2 150#	168	3 150#		
C5F6N160M4S	15	480	167-3/4	155-1/2	148-3/4	8-1/2	165	2 FNPT	166	2-1/2 FNPT	167	2 150#	168	3 150#		
C5F6N180M4D	17	240	187-3/4	175-1/2	168-3/4	8-1/2	185	2 FNPT	186	2-1/2 FNPT	187	2 150#	188	3 150#		
C5F6N180M4S	17	480	187-3/4	175-1/2	168-3/4	8-1/2	185	2 FNPT	186	2-1/2 FNPT	187	2 150#	188	3 150#		

Circulation Heaters

Type IC

Diameter (in.): 6

Watt Density (w/sq.in.): 6

GCI Circulation Heater Drawing No. IC-300 Dimensions (Inches) A, B, B1, C, D, E, F, G							D = 4-1/2 E = 8		Nozzles Option 1		Nozzles Option 2		Nozzles Option 3		Nozzles Option 4	
Catalog Number	kW	Volt	A	B	C	F	B1	G1(in.)	B1	G2(in.)	B1	G3(in)	B1	G4(in)		
C6F12N18M2S	3	240	26-1/4	13-1/2	10	9-5/8	24	2 FNPT	24	2-1/2 FNPT	26	2 150#	27	3 150#		
C6F12N18M4S	3	480	26-1/4	13-1/2	10	9-5/8	24	2 FNPT	24	2-1/2 FNPT	26	2 150#	27	3 150#		
C6F12N20M2S	3.7	240	28-1/4	15-1/2	9-1/2	9-5/8	26	2 FNPT	26	2-1/2 FNPT	28	2 150#	29	3 150#		
C6F12N20M4S	3.7	480	28-1/4	15-1/2	9-1/2	9-5/8	26	2 FNPT	26	2-1/2 FNPT	28	2 150#	29	3 150#		
C6F12N25M2S	4.5	240	33-1/4	20-1/2	13-3/4	9-5/8	31	2 FNPT	31	2-1/2 FNPT	33	2 150#	34	3 150#		
C6F12N25M4S	4.5	480	33-1/4	20-1/2	13-3/4	9-5/8	31	2 FNPT	31	2-1/2 FNPT	33	2 150#	34	3 150#		
C6F12N33M2S	6	240	41-1/4	28-1/2	21-3/4	9-5/8	39	2 FNPT	39	2-1/2 FNPT	41	2 150#	42	3 150#		
C6F12N33M4S	6	480	41-1/4	28-1/2	21-3/4	9-5/8	39	2 FNPT	39	2-1/2 FNPT	41	2 150#	42	3 150#		
C6F12N40M2S	7.5	240	48-1/4	35-1/2	28-3/4	9-5/8	46	2 FNPT	46	2-1/2 FNPT	48	2 150#	49	3 150#		
C6F12N40M4S	7.5	480	48-1/4	35-1/2	28-3/4	9-5/8	46	2 FNPT	46	2-1/2 FNPT	48	2 150#	49	3 150#		
C6F12N48M2S	9	240	55-1/4	43-1/2	33-3/4	9-5/8	54	2 FNPT	54	2-1/2 FNPT	56	2 150#	57	3 150#		
C6F12N48M4S	9	480	55-1/4	43-1/2	33-3/4	9-5/8	54	2 FNPT	54	2-1/2 FNPT	56	2 150#	57	3 150#		
C6F12N52M2S	10	240	60-1/4	47-1/2	40-3/4	9-5/8	58	2 FNPT	58	2-1/2 FNPT	60	2 150#	61	3 150#		
C6F12N52M4S	10	480	60-1/4	47-1/2	40-3/4	9-5/8	58	2 FNPT	58	2-1/2 FNPT	60	2 150#	61	3 150#		
C6F12N64M2S	12.5	240	72-1/4	59-1/2	52-3/4	9-5/8	70	2 FNPT	70	2-1/2 FNPT	72	2 150#	73	3 150#		
C6F12N64M4S	12.5	480	72-1/4	59-1/2	52-3/4	9-5/8	70	2 FNPT	70	2-1/2 FNPT	72	2 150#	73	3 150#		
C6F12N77M2S	15	240	86-1/4	73-1/2	66-3/4	9-5/8	84	2 FNPT	84	2-1/2 FNPT	86	2 150#	87	3 150#		
C6F12N77M4S	15	480	86-1/4	73-1/2	66-3/4	9-5/8	84	2 FNPT	84	2-1/2 FNPT	86	2 150#	87	3 150#		
C6F12N88M4S	17	480	96-1/4	83-1/2	76-3/4	9-5/8	94	2 FNPT	94	2-1/2 FNPT	96	2 150#	97	3 150#		
C6F12N106M4S	19	480	114-1/4	101-1/2	94-3/4	9-5/8	112	2 FNPT	112	2-1/2 FNPT	114	2 150#	115	3 150#		
C6F12N120M4S	24	480	128-1/4	115-1/2	108-3/4	9-5/8	126	2 FNPT	126	2-1/2 FNPT	128	2 150#	129	3 150#		
C6F12N140M4D	26	240	148-1/4	135-1/2	128-3/4	9-5/8	146	2 FNPT	146	2-1/2 FNPT	148	2 150#	149	3 150#		
C6F12N140M4S	26	480	148-1/4	135-1/2	128-3/4	9-5/8	146	2 FNPT	146	2-1/2 FNPT	148	2 150#	149	3 150#		
C6F12N160M4D	30	240	168-1/4	155-1/2	148-3/4	9-5/8	166	2 FNPT	166	2-1/2 FNPT	168	2 150#	169	3 150#		
C6F12N160M4S	30	480	168-1/4	155-1/2	148-3/4	9-5/8	166	2 FNPT	166	2-1/2 FNPT	168	2 150#	169	3 150#		
C6F12N180M4D	34	240	189-1/4	175-1/2	168-3/4	9-5/8	186	2 FNPT	186	2-1/2 FNPT	188	2 150#	189	3 150#		
C6F12N180M4S	34	480	188-1/4	175-1/2	168-3/4	9-5/8	186	2 FNPT	186	2-1/2 FNPT	188	2 150#	189	3 150#		

Diameter (in.): 8

Watt Density (w/sq.in.): 6

GCI Circulation Heater Drawing No. IC-300 Dimensions (Inches) A, B, B1, C, D, E, F, G							D = 4-1/2 E = 8-1/2		Nozzles Option 1		Nozzles Option 2		Nozzles Option 3		Nozzles Option 4	
Catalog Number	kW	Volt	A	B	C	F	B1	G1(in.)	B1	G2(in.)	B1	G3(in)	B1	G4(in)		
C8F18N33M2S	9	240	41-3/4	28-1/2	21-1/4	11-5/8	39	2 FNPT	40	2-1/2 FNPT	42	2 150#	42	3 150#		
C8F18N33M4S	9	480	41-3/4	28-1/2	21-1/4	11-5/8	39	2 FNPT	40	2-1/2 FNPT	42	2 150#	42	3 150#		
C8F18N40M2S	11.2	240	48-3/4	35-1/2	28-1/4	11-5/8	46	2 FNPT	47	2-1/2 FNPT	49	2 150#	49	3 150#		
C8F18N40M4S	11.2	480	48-3/4	35-1/2	28-1/4	11-5/8	46	2 FNPT	47	2-1/2 FNPT	49	2 150#	49	3 150#		
C8F18N48M2S	14	240	56-3/4	43-1/2	36-1/4	11-5/8	54	2 FNPT	55	2-1/2 FNPT	57	2 150#	57	3 150#		
C8F18N48M4S	14	480	56-3/4	43-1/2	36-1/4	11-5/8	54	2 FNPT	55	2-1/2 FNPT	57	2 150#	57	3 150#		
C8F18N52M2S	15	240	61-1/4	47	39-1/4	11-5/8	58	2 FNPT	59	2-1/2 FNPT	60	2 150#	61	3 150#		
C8F18N52M4S	15	480	61-1/4	47	39-1/4	11-5/8	58	2 FNPT	59	2-1/2 FNPT	60	2 150#	61	3 150#		
C8F18N64M2S	19	240	73-1/4	59	51-1/4	11-5/8	70	2 FNPT	71	2-1/2 FNPT	72	2 150#	73	3 150#		
C8F18N64M4S	19	480	73-1/4	59	51-1/4	11-5/8	70	2 FNPT	71	2-1/2 FNPT	72	2 150#	73	3 150#		
C8F18N77M2S	23	240	87-1/4	73	65-1/4	11-5/8	84	2 FNPT	85	2-1/2 FNPT	86	2 150#	87	3 150#		
C8F18N77M4S	23	480	87-1/4	73	65-1/4	11-5/8	84	2 FNPT	85	2-1/2 FNPT	86	2 150#	87	3 150#		
C8F18N88M4S	25	480	97-1/4	83	75-1/4	11-5/8	94	2 FNPT	95	2-1/2 FNPT	96	2 150#	97	3 150#		

Circulation Heaters

Type IC

Diameter (in.): 8

Watt Density (w/sq.in.): 6

GCI Circulation Heater Drawing No. IC-300 Dimensions (Inches) A, B, B1, C, D, E, F, G							D = 4-1/2 E = 8-1/2		Nozzles Option 1		Nozzles Option 2		Nozzles Option 3		Nozzles Option 4	
Catalog Number	kW	Volt	A	B	C	F	B1	G1(in.)	B1	G2(in.)	B1	G3(in)	B1	G4(in)		
C8F18N106M4S	29	480	115-1/4	101	93-1/4	11-5/8	112	2 FNPT	113	2-1/2 FNPT	114	2 150#	115	3 150#		
C8F18N120M4S	35	480	123-1/4	115	107-1/4	11-5/8	126	2 FNPT	127	2-1/2 FNPT	128	2 150#	129	3 150#		
C8F18N140M4D	40	240	149-1/4	135	127-1/4	11-5/8	146	2 FNPT	147	2-1/2 FNPT	148	2 150#	149	3 150#		
C8F18N140M4S	40	480	149-1/4	135	127-1/4	11-5/8	146	2 FNPT	147	2-1/2 FNPT	148	2 150#	149	3 150#		
C8F18N160M4D	45	240	169-1/4	155	147-1/4	11-5/8	166	2 FNPT	167	2-1/2 FNPT	168	2 150#	169	3 150#		
C8F18N160M4S	45	480	169-1/4	155	147-1/4	11-5/8	166	2 FNPT	167	2-1/2 FNPT	168	2 150#	169	3 150#		
C8F18N180M4D	51	240	189-1/4	175	167-1/4	11-5/8	186	2 FNPT	187	2-1/2 FNPT	188	2 150#	189	3 150#		
C8F18N180M4S	51	480	189-1/4	175	167-1/4	11-5/8	186	2 FNPT	187	2-1/2 FNPT	188	2 150#	189	3 150#		
C8F24N33M2S	12	240	41-3/4	28-1/2	21-1/4	11-5/8	39	2 FNPT	40	2-1/2 FNPT	42	2 150#	42	3 150#		
C8F24N33M4S	12	480	41-3/4	28-1/2	21-1/4	11-5/8	39	2 FNPT	40	2-1/2 FNPT	42	2 150#	42	3 150#		
C8F24N40M2S	15	240	48-3/4	35-1/2	28-1/4	11-5/8	46	2 FNPT	47	2-1/2 FNPT	49	2 150#	49	3 150#		
C8F24N40M4S	15	480	48-3/4	35-1/2	28-1/4	11-5/8	46	2 FNPT	47	2-1/2 FNPT	49	2 150#	49	3 150#		
C8F24N48M2S	18	240	56-3/4	43-1/2	36-1/4	11-5/8	54	2 FNPT	55	2-1/2 FNPT	57	2 150#	57	3 150#		
C8F24N48M4S	18	480	56-3/4	43-1/2	36-1/4	11-5/8	54	2 FNPT	55	2-1/2 FNPT	57	2 150#	57	3 150#		
C8F24N52M2S	20	240	61-1/4	47	39-1/4	11-5/8	58	2 FNPT	59	2-1/2 FNPT	60	2 150#	61	3 150#		
C8F24N52M4S	20	480	61-1/4	47	39-1/4	11-5/8	58	2 FNPT	59	2-1/2 FNPT	60	2 150#	61	3 150#		
C8F24N64M2S	26	240	73-1/4	59	51-1/4	11-5/8	70	2 FNPT	71	2-1/2 FNPT	72	2 150#	73	3 150#		
C8F24N64M4S	26	480	73-1/4	59	51-1/4	11-5/8	70	2 FNPT	71	2-1/2 FNPT	72	2 150#	73	3 150#		
C8F24N77M2S	30	240	87-1/4	73	65-1/4	11-5/8	84	2 FNPT	85	2-1/2 FNPT	86	2 150#	87	3 150#		
C8F24N77M4S	30	480	87-1/4	73	65-1/4	11-5/8	84	2 FNPT	85	2-1/2 FNPT	86	2 150#	87	3 150#		
C8F24N88M4S	34	480	97-1/4	83	75-1/4	11-5/8	94	2 FNPT	95	2-1/2 FNPT	96	2 150#	97	3 150#		
C8F24N106M4S	38	480	115-1/4	101	93-1/4	11-5/8	112	2 FNPT	113	2-1/2 FNPT	114	2 150#	115	3 150#		
C8F24N120M4S	47	480	123-1/4	115	107-1/4	11-5/8	126	2 FNPT	127	2-1/2 FNPT	128	2 150#	129	3 150#		
C8F24N140M4D	53	240	149-1/4	135	127-1/4	11-5/8	146	2 FNPT	147	2-1/2 FNPT	148	2 150#	149	3 150#		
C8F24N140M4S	53	480	149-1/4	135	127-1/4	11-5/8	146	2 FNPT	147	2-1/2 FNPT	148	2 150#	149	3 150#		
C8F24N160M4D	60	240	169-1/4	155	147-1/4	11-5/8	166	2 FNPT	167	2-1/2 FNPT	168	2 150#	169	3 150#		
C8F24N160M4S	60	480	169-1/4	155	147-1/4	11-5/8	166	2 FNPT	167	2-1/2 FNPT	168	2 150#	169	3 150#		
C8F24N180M4D	68	240	189-1/4	175	167-1/4	11-5/8	186	2 FNPT	187	2-1/2 FNPT	188	2 150#	189	3 150#		
C8F24N180M4S	68	480	189-1/4	175	167-1/4	11-5/8	186	2 FNPT	187	2-1/2 FNPT	188	2 150#	189	3 150#		

Diameter (in.): 10

Watt Density (w/sq.in.): 6

GCI Circulation Heater Drawing No. IC-300 Dimensions (Inches) A, B, B1, C, D, E, F, G							D = 6-3/4 E = 10		Nozzles Option 1		Nozzles Option 2		Nozzles Option 3		Nozzles Option 4	
Catalog Number	kW	Volt	A	B	C	F	B1	G1(in.)	B1	G2(in.)	B1	G3(in)	B1	G4(in)		
C10F36N33M2S	18	240	49-1/2	30-1/4	31-3/4	15	45	3 150#	46	4 150#	47	6 150#	48	8 150#		
C10F36N33M4S	18	480	49-1/2	30-1/4	31-3/4	15	45	3 150#	46	4 150#	47	6 150#	48	8 150#		
C10F36N52M2S	30	240	63-1/4	45-1/4	46-3/4	15	60	3 150#	61	4 150#	62	6 150#	63	8 150#		
C10F36N52M4S	30	480	63-1/4	45-1/4	46-3/4	15	60	3 150#	61	4 150#	62	6 150#	63	8 150#		
C10F36N64M2S	38	240	75-1/4	57-1/4	58-3/4	15	72	3 150#	73	4 150#	74	6 150#	75	8 150#		
C10F36N64M4S	38	480	75-1/4	57-1/4	58-3/4	15	72	3 150#	73	4 150#	74	6 150#	75	8 150#		
C10F36N77M2S	45	240	89-1/4	71-1/4	72-3/4	15	86	3 150#	87	4 150#	88	6 150#	89	8 150#		
C10F36N77M4S	45	480	89-1/4	71-1/4	72-3/4	15	86	3 150#	87	4 150#	88	6 150#	89	8 150#		
C10F36N88M4S	50	480	99-1/4	81-1/4	82-3/4	15	96	3 150#	97	4 150#	98	6 150#	99	8 150#		
C10F36N106M4S	57	480	117-1/4	99-1/4	100-3/4	15	114	3 150#	115	4 150#	116	6 150#	117	8 150#		
C10F36N120M4S	70	480	131-1/4	113-1/4	114-3/4	15	128	3 150#	129	4 150#	130	6 150#	131	8 150#		

Circulation Heaters

Type IC

Diameter (in.): 10

Watt Density (w/sq.in.): 6

GCI Circulation Heater Drawing No. IC-300 Dimensions (Inches) A, B, B1, C, D, E, F, G							D = 6-3/4 E = 10		Nozzles Option 1		Nozzles Option 2		Nozzles Option 3		Nozzles Option 4	
Catalog Number	kW	Volt	A	B	C	F	B1	G1(in.)	B1	G2(in.)	B1	G3(in)	B1	G4(in)		
C10F36N140M4S	79	480	151-1/4	133-1/4	134-3/4	15	148	3 150#	149	4 150#	150	6 150#	151	8 150#		
C10F36N160M4S	91	480	171-1/4	153-1/4	154-3/4	15	168	3 150#	169	4 150#	170	6 150#	171	8 150#		
C10F36N180M4S	101	480	191-1/4	173-1/4	174-3/4	15	188	3 150#	189	4 150#	190	6 150#	189	8 150#		

Diameter (in.): 12

Watt Density (w/sq.in.): 6

GCI Circulation Heater Drawing No. IC-300 Dimensions (Inches) A, B, B1, C, D, E, F, G							D = 6 E = 10		Nozzles Option 1		Nozzles Option 2		Nozzles Option 3		Nozzles Option 4	
Catalog Number	kW	Volt	A	B	C	F	B1	G1(in.)	B1	G2(in.)	B1	G3(in)	B1	G4(in)		
C12F48N33M2S	24	240	44-1/4	27	19-1/4	15	42	3 150#	43	4 150#	44	6 150#	45	8 150#		
C12F48N33M4S	24	480	44-1/4	27	19-1/4	15	42	3 150#	43	4 150#	44	6 150#	45	8 150#		
C12F48N52M2S	40	240	63-1/4	46	37-1/4	16	61	3 150#	62	4 150#	63	6 150#	64	8 150#		
C12F48N52M4S	40	480	63-1/4	46	37-1/4	16	61	3 150#	62	4 150#	63	6 150#	64	8 150#		
C12F48N64M2S	51	240	75-1/4	58	49-1/4	16	73	3 150#	74	4 150#	75	6 150#	76	8 150#		
C12F48N64M4S	51	480	75-1/4	58	49-1/4	16	73	3 150#	74	4 150#	75	6 150#	76	8 150#		
C12F48N77M2S	60	240	89-1/4	72	63-1/4	16	92	3 150#	93	4 150#	94	6 150#	95	8 150#		
C12F48N77M4S	60	480	89-1/4	72	63-1/4	16	92	3 150#	93	4 150#	94	6 150#	95	8 150#		
C12F48N88M4S	67	480	99-1/4	82	73-1/4	16	97	3 150#	98	4 150#	99	6 150#	100	8 150#		
C12F48N106M4S	76	480	117-1/4	100	91-1/4	16	115	3 150#	116	4 150#	117	6 150#	118	8 150#		
C12F48N120M4S	94	480	131-1/4	114	105-1/4	16	129	3 150#	130	4 150#	131	6 150#	132	8 150#		
C12F48N140M4S	105	480	151-1/4	134	129-1/4	16	149	3 150#	150	4 150#	151	6 150#	152	8 150#		
C12F48N160M4S	121	480	171-1/4	154	145-1/4	16	169	3 150#	170	4 150#	171	6 150#	172	8 150#		
C12F48N180M4S	135	480	191-1/4	174	165-1/4	16	189	3 150#	190	4 150#	191	6 150#	192	8 150#		

Diameter (in.): 14

Watt Density (w/sq.in.): 6

GCI Circulation Heater Drawing No. IC-300 Dimensions (Inches) A, B, B1, C, D, E, F, G							D = 8 E = 10		Nozzles Option 1		Nozzles Option 2		Nozzles Option 3		Nozzles Option 4	
Catalog Number	kW	Volt	A	B	C	F	B1	G1(in.)	B1	G2(in.)	B1	G3(in)	B1	G4(in)		
C14F54N140M4S	118	480	151-3/4	134	129-1/4	17	150	3 150#	151	4 150#	152	6 150#	153	8 150#		
C14F54N160M4S	136	480	171-1/4	154	145-1/4	17	170	3 150#	171	4 150#	172	6 150#	173	8 150#		
C14F54N180M4S	152	480	191-3/4	174	165-1/4	17	190	3 150#	191	4 150#	192	6 150#	193	8 150#		
C14F60N33M2S	30	240	44-3/4	27	18-1/4	17	43	3 150#	44	4 150#	45	6 150#	46	8 150#		
C14F60N33M4S	30	480	44-3/4	27	18-1/4	17	43	3 150#	44	4 150#	45	6 150#	46	8 150#		
C14F60N52M2S	50	240	63-3/4	46	37-1/4	17	62	3 150#	63	4 150#	64	6 150#	65	8 150#		
C14F60N52M4S	50	480	63-3/4	46	37-1/4	17	62	3 150#	63	4 150#	64	6 150#	65	8 150#		
C14F60N64M2S	64	240	75-3/4	58	49-1/4	17	74	3 150#	75	4 150#	76	6 150#	77	8 150#		
C14F60N64M4S	64	480	75-3/4	58	49-1/4	17	74	3 150#	75	4 150#	76	6 150#	77	8 150#		
C14F60N77M2S	75	240	89-3/4	72	63-1/4	17	87	3 150#	88	4 150#	89	6 150#	90	8 150#		
C14F60N77M4S	75	480	89-3/4	72	63-1/4	17	87	3 150#	88	4 150#	89	6 150#	90	8 150#		
C14F60N88M4S	84	480	99-3/4	82	73-1/4	17	98	3 150#	99	4 150#	100	6 150#	101	8 150#		
C14F60N106M4S	95	480	117-3/4	100	91-1/4	17	116	3 150#	117	4 150#	118	6 150#	119	8 150#		
C14F60N120M4S	117	480	131-3/4	114	105-1/4	17	130	3 150#	131	4 150#	132	6 150#	133	8 150#		
C14F60N140M4S	131	480	151-3/4	134	129-1/4	17	150	3 150#	151	4 150#	152	6 150#	153	8 150#		
C14F60N160M4S	151	480	171-1/4	154	145-1/4	17	170	3 150#	171	4 150#	172	6 150#	173	8 150#		

Circulation Heaters

Type IC

Diameter (in.): 14

Watt Density (w/sq.in.): 6

GCI Circulation Heater Drawing No. IC-300 Dimensions (Inches) A, B, B1, C, D, E, F, G							D = 8 E = 10		Nozzles Option 1		Nozzles Option 2		Nozzles Option 3		Nozzles Option 4	
Catalog Number	kW	Volt	A	B	C	F	B1	G1(in.)	B1	G2(in.)	B1	G3(in)	B1	G4(in)		
C14F60N180M4S	169	480	191-1/4	174	165-1/4	17	190	3 150#	191	4 150#	192	6 150#	193	8 150#		
C14F72N33M4S	36	480	44-3/4	27	18-1/4	17	43	3 150#	44	4 150#	45	6 150#	46	8 150#		
C14F72N33M2S	36	480	44-3/4	27	18-1/4	17	43	3 150#	44	4 150#	45	6 150#	46	8 150#		
C14F72N52M4S	60	480	63-3/4	46	37-1/4	17	62	3 150#	63	4 150#	64	6 150#	65	8 150#		
C14F72N52M2S	60	480	63-3/4	46	37-1/4	17	62	3 150#	63	4 150#	64	6 150#	65	8 150#		
C14F72N64M4S	77	480	75-3/4	58	49-1/4	17	74	3 150#	75	4 150#	76	6 150#	77	8 150#		
C14F72N64M2S	77	480	75-3/4	58	49-1/4	17	74	3 150#	75	4 150#	76	6 150#	77	8 150#		
C14F72N77M4S	90	480	89-3/4	72	63-1/4	17	87	3 150#	88	4 150#	89	6 150#	90	8 150#		
C14F72N77M2S	90	480	89-3/4	72	63-1/4	17	87	3 150#	88	4 150#	89	6 150#	90	8 150#		
C14F72N88M4S	101	480	99-3/4	82	73-1/4	17	98	3 150#	99	4 150#	100	6 150#	101	8 150#		
C14F72N106M4S	113	480	117-3/4	100	91-1/4	17	116	3 150#	117	4 150#	118	6 150#	119	8 150#		
C14F72N120M4S	140	480	131-3/4	114	105-1/4	17	130	3 150#	131	4 150#	132	6 150#	133	8 150#		
C14F72N140M4S	158	480	151-3/4	134	129-1/4	17	150	3 150#	151	4 150#	152	6 150#	153	8 150#		
C14F72N160M4S	180	480	171-1/4	154	145-1/4	17	170	3 150#	171	4 150#	172	6 150#	173	8 150#		
C14F72N180M4S	203	480	191-3/4	174	165-1/4	17	190	3 150#	191	4 150#	192	6 150#	193	8 150#		

Diameter (in.): 16

Watt Density (w/sq.in.): 6

GCI Circulation Heater Drawing No. IC-300 Dimensions (Inches) A, B, B1, C, D, E, F, G							D = 8-1/2 E = 10		Nozzles Option 1		Nozzles Option 2		Nozzles Option 3		Nozzles Option 4	
Catalog Number	kW	Volt	A	B	C	F	B1	G1(in.)	B1	G2(in.)	B1	G3(in)	B1	G4(in)		
C16F84N140M4S	184	480	154-1/4	131-1/2	123-1/4	19	148	3 150#	149	4 150#	150	6 150#	151	8 150#		
C16F84N160M4S	210	480	174-1/4	151-1/2	143-1/4	19	168	3 150#	169	4 150#	170	6 150#	171	8 150#		
C16F84N180M4S	237	480	194-1/4	171-1/2	164-1/4	19	188	3 150#	189	4 150#	190	6 150#	191	8 150#		

Diameter (in.): 18

Watt Density (w/sq.in.): 6

GCI Circulation Heater Drawing No. IC-300 Dimensions (Inches) A, B, B1, C, D, E, F, G							D = 9-1/2 E = 12		Nozzles Option 1		Nozzles Option 2		Nozzles Option 3		Nozzles Option 4	
Catalog Number	kW	Volt	A	B	C	F	B1	G1(in.)	B1	G2(in.)	B1	G3(in)	B1	G4(in)		
C18F108N140M4S	237	480	156-1/2	130-1/2	120	21	147	3 150#	148	4 150#	149	6 150#	151	8 150#		
C18F108N160M4S	271	480	176-1/2	150-1/2	140	21	167	3 150#	168	4 150#	169	6 150#	171	8 150#		
C18F108N180M4S	304	480	196-1/2	170-1/2	160	21	187	3 150#	188	4 150#	189	6 150#	191	8 150#		

Diameter (in.): 20

Watt Density (w/sq.in.): 6

GCI Circulation Heater Drawing No. IC-300 Dimensions (Inches) A, B, B1, C, D, E, F, G							D = 9-3/4 E = 12		Nozzles Option 1		Nozzles Option 2		Nozzles Option 3		Nozzles Option 4	
Catalog Number	kW	Volt	A	B	C	F	B1	G1(in.)	B1	G2(in.)	B1	G3(in)	B1	G4(in)		
C20F144N140M4S	315	480	157-1/2	130-1/4	120	23	149	3 150#	150	4 150#	151	6 150#	153	8 150#		
C20F144N160M4S	361	480	177-1/2	150-1/4	140	23	169	3 150#	170	4 150#	171	6 150#	173	8 150#		
C20F144N180M4S	405	480	197-1/2	170-1/4	160	23	189	3 150#	190	4 150#	191	6 150#	193	8 150#		

Circulation Heaters

Type IC

Diameter (in.): 24

Watt Density (w/sq.in.): 6

GCI Circulation Heater Drawing No. IC-300 Dimensions (Inches) A, B, B1, C, D, E, F, G							D = 10-1/2		Nozzles Option 1		Nozzles Option 2		Nozzles Option 3		Nozzles Option 4	
							E = 12									
Catalog Number	kW	Volt	A	B	C	F	B1	G1(in.)	B1	G2(in.)	B1	G3(in)	B1	G4(in)		
C24F192N140M4S	420	480	160	129-1/2	119	27	150	6 150#	151	8 150#	152	10 150#	154	12 150#		
C24F192N160M4S	482	480	180	149-1/2	139	27	170	6 150#	171	8 150#	172	10 150#	174	12 150#		
C24F192N180M4S	540	480	200	169-1/2	159	27	190	6 150#	191	8 150#	192	10 150#	194	12 150#		

Circulation Heaters

Type IC

Watt Density: 4

Diameter (in.): 2.5

Watt Density (w/sq.in.): 4

GCI Circulation Heater Drawing No. IC-300 Dimensions (Inches) A, B, B1, C, D, E, F, G						D = 3 E = N/A		Nozzles Option 1		Nozzles Option 2		Nozzles Option 3		Nozzles Option 4	
Catalog Number	kW	Volt	A	B	C	F	B1	G1(in.)	B1	G2(in.)	B1	G3(in)	B1	G4(in)	
C2F3N13H4YD	0.375	240	19	N/A	N/A	5-1/2	15	1 FNPT	17	2 FNPT	19	1 150#	20	2 150#	
C2F3N18H4YD	0.5	240	24	N/A	N/A	5-1/2	20	1 FNPT	22	2 FNPT	24	1 150#	25	2 150#	
C2F3N20H4YD	0.625	240	26	N/A	N/A	5-1/2	22	1 FNPT	24	2 FNPT	26	1 150#	27	2 150#	
C2F3N25H4YD	0.75	240	31	N/A	N/A	5-1/2	27	1 FNPT	29	2 FNPT	31	1 150#	32	2 150#	
C2F3N33H4YD	1	240	39	N/A	N/A	5-1/2	35	1 FNPT	37	2 FNPT	39	1 150#	40	2 150#	
C2F3N40H4YD	1.25	240	46	N/A	N/A	5-1/2	42	1 FNPT	44	2 FNPT	46	1 150#	47	2 150#	
C2F3N48H4YD	1.5	240	54	N/A	N/A	5-1/2	50	1 FNPT	52	2 FNPT	54	1 150#	55	2 150#	
C2F3N61H4YD	2	240	67	N/A	N/A	5-1/2	63	1 FNPT	65	2 FNPT	67	1 150#	68	2 150#	
C2F3N78H4YD	2.8	240	84	N/A	N/A	5-1/2	80	1 FNPT	82	2 FNPT	84	1 150#	85	2 150#	
C2F3N88H4YD	3.125	240	94	N/A	N/A	5-1/2	90	1 FNPT	92	2 FNPT	94	1 150#	95	2 150#	
C2F3N106H4Y	4	480	112	N/A	N/A	5-1/2	108	1 FNPT	110	2 FNPT	112	1 150#	113	2 150#	
C2F3N120H4Y	5	480	126	N/A	N/A	5-1/2	122	1 FNPT	124	2 FNPT	126	1 150#	127	2 150#	
C2F3N140H4YD	4.4	240	146	N/A	N/A	5-1/2	142	1 FNPT	144	2 FNPT	146	1 150#	147	2 150#	
C2F3N160H4YD	5	240	166	N/A	N/A	5-1/2	162	1 FNPT	164	2 FNPT	166	1 150#	167	2 150#	
C2F3N180H4YD	5.6	240	186	N/A	N/A	5-1/2	182	1 FNPT	184	2 FNPT	186	1 150#	187	2 150#	

Diameter (in.): 4

Watt Density (w/sq.in.): 4

GCI Circulation Heater Drawing No. IC-300 Dimensions (Inches) A, B, B1, C, D, E, F, G						D = 4 E = 6		Nozzles Option 1		Nozzles Option 2		Nozzles Option 3		Nozzles Option 4	
Catalog Number	kW	Volt	A	B	C	F	B1	G1(in.)	B1	G2(in.)	B1	G3(in)	B1	G4(in)	
C4F6N13H4SY	0.7	480	20	9	7	7-1/2	17	1 FNPT	18	2 FNPT	20	1 150#	21	3 150#	
C4F6N18H4SY	1	480	25	14	9	7-1/2	22	1 FNPT	23	2 FNPT	25	1 150#	26	3 150#	
C4F6N20H4SY	1.3	480	27	16	11	7-1/2	24	1 FNPT	25	2 FNPT	27	1 150#	28	3 150#	
C4F6N25H4SY	1.5	480	32	21	16	7-1/2	29	1 FNPT	30	2 FNPT	32	1 150#	33	3 150#	
C4F6N33H4SY	2	480	40	29	24	7-1/2	37	1 FNPT	38	2 FNPT	40	1 150#	41	3 150#	
C4F6N40H4SY	2.5	480	47	36	31	7-1/2	43	1 FNPT	44	2 FNPT	46	1 150#	47	3 150#	
C4F6N48H4SY	3	480	55	44	39	7-1/2	52	1 FNPT	53	2 FNPT	55	1 150#	56	3 150#	
C4F6N61H4SY	4.2	480	68	57	52	7-1/2	65	1 FNPT	66	2 FNPT	68	1 150#	69	3 150#	
C4F6N78H4SY	5.6	480	85	74	69	7-1/2	83	1 FNPT	84	2 FNPT	86	1 150#	87	3 150#	
C4F6N88B4SD	5.6	480	95	84	79	7-1/2	93	1 FNPT	94	2 FNPT	96	1 150#	97	3 150#	
C4F6N88H4SY	6.3	480	95	84	79	7-1/2	93	1 FNPT	94	2 FNPT	96	1 150#	97	3 150#	
C4F6N106H4SY	6.9	480	113	102	97	7-1/2	110	1 FNPT	111	2 FNPT	113	1 150#	114	3 150#	
C4F6N106B4SD	7	480	113	102	97	7-1/2	110	1 FNPT	111	2 FNPT	113	1 150#	114	3 150#	
C4F6N120B4SD	7.1	480	127	116	111	7-1/2	124	1 FNPT	125	2 FNPT	127	1 150#	128	3 150#	
C4F6N120H4SY	7.5	480	127	116	111	7-1/2	124	1 FNPT	125	2 FNPT	127	1 150#	128	3 150#	
C4F6N140H4SY	9	480	147	136	131	7-1/2	144	1 FNPT	145	2 FNPT	147	1 150#	148	3 150#	
C4F6N160H4SY	10	480	167	156	151	7-1/2	164	1 FNPT	165	2 FNPT	167	1 150#	168	3 150#	
C4F6N180H4SY	11.3	480	187	176	171	7-1/2	184	1 FNPT	185	2 FNPT	187	1 150#	188	3 150#	

Circulation Heaters

Type IC

Diameter (in.): 5

Watt Density (w/sq.in.): 4

GCI Circulation Heater Drawing No. IC-300 Dimensions (Inches) A, B, B1, C, D, E, F, G							D = 4-1/2 E = 8		Nozzles Option 1		Nozzles Option 2		Nozzles Option 3		Nozzles Option 4	
Catalog Number	kW	Volt	A	B	C	F	B1	G1(in.)	B1	G2(in.)	B1	G3(in)	B1	G4(in)		
C5F6N13H4SY	0.7	480	20-3/4	8-1/2	5	8-1/2	18	2 FNPT	19	2-1/2 FNPT	20	2 150#	21	3 150#		
C5F6N18H4SY	1	480	25-3/4	13-1/2	10	8-1/2	23	2 FNPT	24	2-1/2 FNPT	25	2 150#	26	3 150#		
C5F6N20H4SY	1.3	480	27-3/4	15-1/2	9-1/2	8-1/2	25	2 FNPT	26	2-1/2 FNPT	27	2 150#	28	3 150#		
C5F6N25H4SY	1.5	480	32-3/4	20-1/2	13-3/4	8-1/2	30	2 FNPT	31	2-1/2 FNPT	32	2 150#	33	3 150#		
C5F6N33H4SY	2	480	40-3/4	28-1/2	21-3/4	8-1/2	38	2 FNPT	39	2-1/2 FNPT	40	2 150#	41	3 150#		
C5F6N40H4SY	2.5	480	47-3/4	35-1/2	28-3/4	8-1/2	45	2 FNPT	46	2-1/2 FNPT	47	2 150#	48	3 150#		
C5F6N48H4SY	3	480	55-3/4	43-1/2	36-3/4	8-1/2	53	2 FNPT	54	2-1/2 FNPT	55	2 150#	56	3 150#		
C5F6N61H4SY	4.2	480	68-3/4	56-1/2	49-3/4	8-1/2	66	2 FNPT	67	2-1/2 FNPT	68	2 150#	69	3 150#		
C5F6N78H4SY	5.6	480	85-3/4	73-1/2	66-3/4	8-1/2	84	2 FNPT	85	2-1/2 FNPT	86	2 150#	87	3 150#		
C5F6N88H4SY	6.3	480	95-3/4	88-1/2	71-3/4	8-1/2	98	2 FNPT	99	2-1/2 FNPT	100	2 150#	101	3 150#		
C5F6N106H4SY	6.9	480	113-3/4	101-1/2	94-3/4	8-1/2	111	2 FNPT	112	2-1/2 FNPT	113	2 150#	114	3 150#		
C5F6N120H4SY	7.5	480	127-3/4	115-1/2	108-3/4	8-1/2	125	2 FNPT	126	2-1/2 FNPT	127	2 150#	128	3 150#		
C5F6N140H4SY	9	480	147-3/4	135-1/2	128-3/4	8-1/2	145	2 FNPT	146	2-1/2 FNPT	147	2 150#	148	3 150#		
C5F6N160H4SY	10	480	167-3/4	155-1/2	148-3/4	8-1/2	165	2 FNPT	166	2-1/2 FNPT	167	2 150#	168	3 150#		
C5F6N180H4SY	11.3	480	187-3/4	175-1/2	168-3/4	8-1/2	185	2 FNPT	186	2-1/2 FNPT	187	2 150#	188	3 150#		

Diameter (in.): 6

Watt Density (w/sq.in.): 4

GCI Circulation Heater Drawing No. IC-300 Dimensions (Inches) A, B, B1, C, D, E, F, G							D = 4-1/2 E = 8		Nozzles Option 1		Nozzles Option 2		Nozzles Option 3		Nozzles Option 4	
Catalog Number	kW	Volt	A	B	C	F	B1	G1(in.)	B1	G2(in.)	B1	G3(in)	B1	G4(in)		
C6F12N13H4SY	1.5	480	21-1/4	8-1/2	5	9-5/8	19	2 FNPT	19	2-1/2 FNPT	21	2 150#	22	3 150#		
C6F12N18H4SY	2	480	26-1/4	13-1/2	10	9-5/8	24	2 FNPT	24	2-1/2 FNPT	26	2 150#	27	3 150#		
C6F12N20H4SY	2.5	480	28-1/4	15-1/2	9-1/2	9-5/8	26	2 FNPT	26	2-1/2 FNPT	28	2 150#	29	3 150#		
C6F12N25H4SY	3	480	33-1/4	20-1/2	13-3/4	9-5/8	31	2 FNPT	31	2-1/2 FNPT	33	2 150#	34	3 150#		
C6F12N33H4SY	4	480	41-1/4	28-1/2	21-3/4	9-5/8	39	2 FNPT	39	2-1/2 FNPT	41	2 150#	42	3 150#		
C6F12N40H4SY	5	480	48-1/4	35-1/2	28-3/4	9-5/8	46	2 FNPT	46	2-1/2 FNPT	48	2 150#	49	3 150#		
C6F12N48H4SY	6	480	55-1/4	43-1/2	33-3/4	9-5/8	54	2 FNPT	54	2-1/2 FNPT	56	2 150#	57	3 150#		
C6F12N61H4SY	8.3	480	69-1/4	56-1/2	49-3/4	9-5/8	67	2 FNPT	67	2-1/2 FNPT	69	2 150#	70	3 150#		
C6F12N78H4SY	11.1	480	86-1/4	73-1/2	66-3/4	9-5/8	84	2 FNPT	85	2-1/2 FNPT	86	2 150#	87	3 150#		
C6F12N88B4SD	45	480	96-1/4	83-1/2	76-3/4	9-5/8	94	2 FNPT	94	2-1/2 FNPT	96	2 150#	97	3 150#		
C6F12N106H4SY	15	480	114-1/4	101-1/2	94-3/4	9-5/8	112	2 FNPT	112	2-1/2 FNPT	114	2 150#	115	3 150#		
C6F12N120H4SY	15	480	128-1/4	115-1/2	108-3/4	9-5/8	126	2 FNPT	126	2-1/2 FNPT	128	2 150#	129	3 150#		
C6F12N140H4SY	18	480	148-1/4	135-1/2	128-3/4	9-5/8	146	2 FNPT	146	2-1/2 FNPT	148	2 150#	149	3 150#		
C6F12N160H4SY	20	480	168-1/4	155-1/2	148-3/4	9-5/8	166	2 FNPT	166	2-1/2 FNPT	168	2 150#	169	3 150#		
C6F12N180H4SY	23	480	188-1/4	175-1/2	168-3/4	9-5/8	186	2 FNPT	186	2-1/2 FNPT	188	2 150#	189	3 150#		

Diameter (in.): 8

Watt Density (w/sq.in.): 4

GCI Circulation Heater Drawing No. IC-300 Dimensions (Inches) A, B, B1, C, D, E, F, G							D = 4-1/2 E = 8-1/2		Nozzles Option 1		Nozzles Option 2		Nozzles Option 3		Nozzles Option 4	
Catalog Number	kW	Volt	A	B	C	F	B1	G1(in.)	B1	G2(in.)	B1	G3(in)	B1	G4(in)		
C8F18N13H4SY	2.2	480	21-3/4	8-1/2	4-1/2	11-5/8	19	2 FNPT	20	2-1/2 FNPT	22	2 150#	22	3 150#		
C8F18N18H4SY	3	480	26-3/4	13-1/2	9-1/2	11-5/8	24	2 FNPT	25	2-1/2 FNPT	27	2 150#	27	3 150#		
C8F18N20H4SY	3.8	480	28-3/4	15-1/2	11-1/2	11-5/8	26	2 FNPT	27	2-1/2 FNPT	29	2 150#	29	3 150#		

Circulation Heaters

Type IC

Diameter (in.): 8

Watt Density (w/sq.in.): 4

GCI Circulation Heater Drawing No. IC-300 Dimensions (Inches) A, B, B1, C, D, E, F, G							D = 4-1/2 E = 8-1/2		Nozzles Option 1		Nozzles Option 2		Nozzles Option 3		Nozzles Option 4	
Catalog Number	kW	Volt	A	B	C	F	B1	G1(in.)	B1	G2(in.)	B1	G3(in)	B1	G4(in)		
C8F18N25H4SY	4.5	480	33-3/4	20-1/2	13-1/4	11-5/8	31	2 FNPT	32	2-1/2 FNPT	34	2 150#	34	3 150#		
C8F18N33H4SY	6	480	41-3/4	28-1/2	21-1/4	11-5/8	39	2 FNPT	40	2-1/2 FNPT	42	2 150#	42	3 150#		
C8F18N40H4SY	7.5	480	48-3/4	35-1/2	28-1/4	11-5/8	46	2 FNPT	47	2-1/2 FNPT	49	2 150#	49	3 150#		
C8F18N48H4SY	9	480	56-3/4	43-1/2	36-1/4	11-5/8	54	2 FNPT	55	2-1/2 FNPT	57	2 150#	57	3 150#		
C8F18N61H4SY	12.5	480	70-1/4	56	48-1/4	11-5/8	67	2 FNPT	68	2-1/2 FNPT	69	2 150#	70	3 150#		
C8F18N78H4SY	17	480	87-1/4	73	65-1/4	11-5/8	84	2 FNPT	85	2-1/2 FNPT	87	2 150#	88	3 150#		
C8F18N88H4SY	19	480	97-1/4	83	75-1/4	11-5/8	94	2 FNPT	95	2-1/2 FNPT	96	2 150#	97	3 150#		
C8F18N106H4SY	21	480	115-1/4	101	93-1/4	11-5/8	112	2 FNPT	113	2-1/2 FNPT	114	2 150#	115	3 150#		
C8F18N120H4SY	23	480	123-1/4	115	107-1/4	11-5/8	126	2 FNPT	127	2-1/2 FNPT	128	2 150#	129	3 150#		
C8F18N140H4SY	26	480	149-1/4	135	127-1/4	11-5/8	146	2 FNPT	147	2-1/2 FNPT	148	2 150#	149	3 150#		
C8F18N160H4SY	30	480	169-1/4	155	147-1/4	11-5/8	166	2 FNPT	167	2-1/2 FNPT	168	2 150#	169	3 150#		
C8F18N180H4SY	34	480	189-1/4	175	167-1/4	11-5/8	186	2 FNPT	187	2-1/2 FNPT	188	2 150#	189	3 150#		
C8F24N13H4SY	3	480	21-3/4	8-1/2	4-1/2	11-5/8	19	2 FNPT	20	2-1/2 FNPT	22	2 150#	22	3 150#		
C8F24N18H4SY	4	480	26-3/4	13-1/2	9-1/2	11-5/8	24	2 FNPT	25	2-1/2 FNPT	27	2 150#	27	3 150#		
C8F24N20H4SY	5	480	28-3/4	15-1/2	11-1/2	11-5/8	26	2 FNPT	27	2-1/2 FNPT	29	2 150#	29	3 150#		
C8F24N25H4SY	6	480	33-3/4	20-1/2	13-1/4	11-5/8	31	2 FNPT	32	2-1/2 FNPT	34	2 150#	34	3 150#		
C8F24N33H4SY	8	480	41-3/4	28-1/2	21-1/4	11-5/8	39	2 FNPT	40	2-1/2 FNPT	42	2 150#	42	3 150#		
C8F24N40H4SY	10	480	48-3/4	35-1/2	28-1/4	11-5/8	46	2 FNPT	47	2-1/2 FNPT	49	2 150#	49	3 150#		
C8F24N48H4SY	12	480	56-3/4	43-1/2	36-1/4	11-5/8	54	2 FNPT	55	2-1/2 FNPT	57	2 150#	57	3 150#		
C8F24N61H4SY	17	480	70-1/4	56	48-1/4	11-5/8	67	2 FNPT	68	2-1/2 FNPT	69	2 150#	70	3 150#		
C8F24N78H4SY	22	480	87-1/4	73	65-1/4	11-5/8	84	2 FNPT	85	2-1/2 FNPT	87	2 150#	88	3 150#		
C8F24N88H4SY	25	480	97-1/4	83	75-1/4	11-5/8	94	2 FNPT	95	2-1/2 FNPT	96	2 150#	97	3 150#		
C8F24N106H4SY	28	480	115-1/4	101	93-1/4	11-5/8	112	2 FNPT	113	2-1/2 FNPT	114	2 150#	115	3 150#		
C8F24N120H4SY	30	480	123-1/4	115	107-1/4	11-5/8	126	2 FNPT	127	2-1/2 FNPT	128	2 150#	129	3 150#		
C8F24N140H4SY	35	480	149-1/4	135	127-1/4	11-5/8	146	2 FNPT	147	2-1/2 FNPT	148	2 150#	149	3 150#		
C8F24N160H4SY	40	480	169-1/4	155	147-1/4	11-5/8	166	2 FNPT	167	2-1/2 FNPT	168	2 150#	169	3 150#		
C8F24N180H4SY	45	480	189-1/4	175	167-1/4	11-5/8	186	2 FNPT	187	2-1/2 FNPT	188	2 150#	189	3 150#		

Diameter (in.): 10

Watt Density (w/sq.in.): 4

GCI Circulation Heater Drawing No. IC-300 Dimensions (Inches) A, B, B1, C, D, E, F, G							D = 6-3/4 E = 10		Nozzles Option 1		Nozzles Option 2		Nozzles Option 3		Nozzles Option 4	
Catalog Number	kW	Volt	A	B	C	F	B1	G1(in.)	B1	G2(in.)	B1	G3(in)	B1	G4(in)		
C10F36N78H4SY	33	480	89-1/4	71-1/4	72-3/4	15	86	3 150#	86	4 150#	87	6 150#	88	8 150#		
C10F36N88H4SY	37	480	99-1/4	81-1/4	82-3/4	15	96	3 150#	97	4 150#	98	6 150#	99	8 150#		
C10F36N106H4SY	42	480	117-1/4	99-1/4	100-3/4	15	114	3 150#	115	4 150#	116	6 150#	117	8 150#		
C10F36N120H4SY	45	480	131-1/4	113-1/4	114-3/4	15	128	3 150#	129	4 150#	130	6 150#	131	8 150#		
C10F36N140H4SY	53	480	151-1/4	133-1/4	134-3/4	15	148	3 150#	149	4 150#	150	6 150#	151	8 150#		
C10F36N160H4SY	60	480	171-1/4	153-1/4	154-3/4	15	168	3 150#	169	4 150#	170	6 150#	171	8 150#		
C10F36N180H4SY	68	480	191-1/4	173-1/4	174-3/4	15	188	3 150#	189	4 150#	190	6 150#	191	8 150#		

Circulation Heaters

Type IC

Diameter (in.): 12

Watt Density (w/sq.in.): 4

GCI Circulation Heater Drawing No. IC-300 Dimensions (Inches) A, B, B1, C, D, E, F, G							D = 6 E = 10		Nozzles Option 1		Nozzles Option 2		Nozzles Option 3		Nozzles Option 4	
Catalog Number	kW	Volt	A	B	C	F	B1	G1(in.)	B1	G2(in.)	B1	G3(in)	B1	G4(in)		
C12F48N52H4SY	24	480	63-1/4	46	37-1/4	16	61	3 150#	62	4 150#	63	6 150#	64	8 150#		
C12F48N61H4SY	33	480	72-1/4	55	46-1/4	16	70	3 150#	71	4 150#	72	6 150#	73	8 150#		
C12F48N78H4SY	45	480	89-1/4	72	63-1/4	16	87	3 150#	88	4 150#	89	6 150#	90	8 150#		
C12F48N88H4SY	54	480				16	97	3 150#	98	4 150#	99	6 150#	100	8 150#		
C12F48N106H4SY	56	480	117-1/4	100	91-1/4	16	115	3 150#	116	4 150#	117	6 150#	118	8 150#		
C12F48N120H4SY	60	480	131-1/4	114	105-1/4	16	129	3 150#	130	4 150#	131	6 150#	132	8 150#		
C12F48N140H4SY	70	480	151-1/4	134	129-1/4	16	149	3 150#	150	4 150#	151	6 150#	152	8 150#		
C12F48N160H4SY	80	480	171-1/4	154	145-1/4	16	169	3 150#	170	4 150#	171	6 150#	172	8 150#		
C12F48N180H4SY	90	480	191-1/4	174	165-1/4	16	189	3 150#	190	4 150#	191	6 150#	192	8 150#		

Diameter (in.): 14

Watt Density (w/sq.in.): 4

GCI Circulation Heater Drawing No. IC-300 Dimensions (Inches) A, B, B1, C, D, E, F, G							D = 6 E = 10		Nozzles Option 1		Nozzles Option 2		Nozzles Option 3		Nozzles Option 4	
Catalog Number	kW	Volt	A	B	C	F	B1	G1(in.)	B1	G2(in.)	B1	G3(in)	B1	G4(in)		
C14F54N52H4SY	27	480	63-3/4	46	37-1/4	17	62	3 150#	63	4 150#	64	6 150#	65	8 150#		
C14F54N61H4SY	38	480	72-3/4	55	46-1/4	17	71	3 150#	72	4 150#	73	6 150#	74	8 150#		
C14F54N78H4SY	50	480	89-3/4	72	63-1/4	17	88	3 150#	89	4 150#	90	6 150#	91	8 150#		
C14F54N88H4SY	56	480	99-3/4	82	73-1/4	17	98	3 150#	99	4 150#	100	6 150#	101	8 150#		
C14F54N106H4SY	63	480	117-3/4	100	91-1/4	17	116	3 150#	117	4 150#	118	6 150#	119	8 150#		
C14F54N120H4SY	68	480	131-3/4	114	105-1/4	17	130	3 150#	131	4 150#	132	6 150#	133	8 150#		
C14F54N140H4SY	79	480	151-3/4	134	129-1/4	17	150	3 150#	151	4 150#	152	6 150#	153	8 150#		
C14F54N160H4SY	91	480	171-3/4	154	145-1/4	17	170	3 150#	171	4 150#	172	6 150#	173	8 150#		
C14F54N180H4SY	102	480	191-3/4	174	165-1/4	17	190	3 150#	191	4 150#	192	6 150#	193	8 150#		
C14F60N52H4SY	30	480	63-3/4	46	37-1/4	17	62	3 150#	63	4 150#	64	6 150#	65	8 150#		
C14F60N61H4SY	42	480	72-3/4	55	46-1/4	17	71	3 150#	72	4 150#	73	6 150#	74	8 150#		
C14F60N78H4SY	56	480	89-3/4	72	63-1/4	17	88	3 150#	89	4 150#	90	6 150#	91	8 150#		
C14F60N88H4SY	63	480	99-3/4	82	73-1/4	17	98	3 150#	99	4 150#	100	6 150#	101	8 150#		
C14F60N106H4SY	70	480	117-3/4	100	91-1/4	17	116	3 150#	117	4 150#	118	6 150#	119	8 150#		
C14F60N120H4SY	75	480	131-3/4	114	105-1/4	17	130	3 150#	131	4 150#	132	6 150#	133	8 150#		
C14F60N140H4SY	88	480	151-3/4	134	129-1/4	17	150	3 150#	151	4 150#	152	6 150#	153	8 150#		
C14F60N160H4SY	101	480	171-3/4	154	145-1/4	17	170	3 150#	171	4 150#	172	6 150#	173	8 150#		
C14F60N180H4SY	113	480	191-3/4	174	165-1/4	17	190	3 150#	191	4 150#	192	6 150#	193	8 150#		
C14F72N52H4SY	36	480	63-3/4	46	37-1/4	17	62	3 150#	63	4 150#	64	6 150#	65	8 150#		
C14F72N61H4SY	50	480	72-3/4	55	46-1/4	17	71	3 150#	72	4 150#	73	6 150#	74	8 150#		
C14F72N78H4SY	67	480	89-3/4	72	63-1/4	17	88	3 150#	89	4 150#	90	6 150#	91	8 150#		
C14F72N88H4SY	75	480	99-3/4	82	73-1/4	17	98	3 150#	99	4 150#	100	6 150#	101	8 150#		
C14F72N106H4SY	83	480	117-3/4	100	91-1/4	17	116	3 150#	117	4 150#	118	6 150#	119	8 150#		
C14F72N120H4SY	90	480	131-3/4	114	105-1/4	17	130	3 150#	131	4 150#	132	6 150#	133	8 150#		
C14F72N140H4SY	105	480	151-3/4	134	129-1/4	17	150	3 150#	151	4 150#	152	6 150#	153	8 150#		
C14F72N160H4SY	121	480	171-3/4	154	145-1/4	17	170	3 150#	171	4 150#	172	6 150#	173	8 150#		
C14F72N180H4SY	135	480	191-3/4	174	165-1/4	17	190	3 150#	191	4 150#	192	6 150#	193	8 150#		

Circulation Heaters

Type IC

Diameter (in.): 16

Watt Density (w/sq.in.): 4

GCI Circulation Heater Drawing No. IC-300 Dimensions (Inches) A, B, B1, C, D, E, F, G							D = 8-1/2 E = 10		Nozzles Option 1		Nozzles Option 2		Nozzles Option 3		Nozzles Option 4	
Catalog Number	kW	Volt	A	B	C	F	B1	G1(in.)	B1	G2(in.)	B1	G3(in)	B1	G4(in)		
C16F84N106H4SY	97	480	120-1/4	97-1/2	89-1/4	19	114	3 150#	115	4 150#	116	6 150#	117	8 150#		
C16F84N120H4SY	105	480	134-1/4	111-1/2	103-1/4	19	128	3 150#	129	4 150#	130	6 150#	131	8 150#		
C16F84N140H4SY	123	480	154-1/4	131-1/2	123-1/4	19	148	3 150#	149	4 150#	150	6 150#	151	8 150#		
C16F84N160H4SY	141	480	174-1/4	151-1/2	143-1/4	19	168	3 150#	169	4 150#	170	6 150#	171	8 150#		
C16F84N180H4SY	158	480	194-1/4	171-1/2	164-1/4	19	188	3 150#	189	4 150#	190	6 150#	191	8 150#		

Diameter (in.): 18

Watt Density (w/sq.in.): 4

GCI Circulation Heater Drawing No. IC-300 Dimensions (Inches) A, B, B1, C, D, E, F, G							D = 9-1/2 E = 12		Nozzles Option 1		Nozzles Option 2		Nozzles Option 3		Nozzles Option 4	
Catalog Number	kW	Volt	A	B	C	F	B1	G1(in.)	B1	G2(in.)	B1	G3(in)	B1	G4(in)		
C18F108N106H4S	125	480	122-1/2	96-1/2	86	21	114	3 150#	115	4 150#	116	6 150#	118	8 150#		
C18F108N120H4S	135	480	136-1/2	110-1/2	100	21	127	3 150#	128	4 150#	129	6 150#	131	8 150#		
C18F108N140H4S	158	480	156-1/2	130-1/2	120	21	147	3 150#	148	4 150#	149	6 150#	151	8 150#		
C18F108N160H4S	182	480	176-1/2	150-1/2	140	21	167	3 150#	168	4 150#	169	6 150#	171	8 150#		
C18F108N180H4S	203	480	196-1/2	170-1/2	160	21	187	3 150#	188	4 150#	189	6 150#	191	8 150#		

Diameter (in.): 20

Watt Density (w/sq.in.): 4

GCI Circulation Heater Drawing No. IC-300 Dimensions (Inches) A, B, B1, C, D, E, F, G							D = 9-3/4 E = 12		Nozzles Option 1		Nozzles Option 2		Nozzles Option 3		Nozzles Option 4	
Catalog Number	kW	Volt	A	B	C	F	B1	G1(in.)	B1	G2(in.)	B1	G3(in)	B1	G4(in)		
C20F144N106H4S	168	480	123-1/2	96-1/4	86	23	115	3 150#	116	4 150#	117	6 150#	119	8 150#		
C20F144N120H4S	180	480	137-1/2	110-1/4	100	23	129	3 150#	130	4 150#	131	6 150#	133	8 150#		
C20F144N140H4S	210	480	157-1/2	130-1/4	120	23	149	3 150#	150	4 150#	151	6 150#	153	8 150#		
C20F144N160H4S	242	480	177-1/2	150-1/4	140	23	169	3 150#	170	4 150#	171	6 150#	173	8 150#		
C20F144N180H4S	270	480	197-1/2	170-1/4	160	23	189	3 150#	190	4 150#	191	6 150#	193	8 150#		

Diameter (in.): 24

Watt Density (w/sq.in.): 4

GCI Circulation Heater Drawing No. IC-300 Dimensions (Inches) A, B, B1, C, D, E, F, G							D = 10-1/2 E = 12		Nozzles Option 1		Nozzles Option 2		Nozzles Option 3		Nozzles Option 4	
Catalog Number	kW	Volt	A	B	C	F	B1	G1(in.)	B1	G2(in.)	B1	G3(in)	B1	G4(in)		
C24F192N106H4S	222	480	126	95-1/2	85	27	116	6 150#	117	8 150#	118	10 150#	120	12 150#		
C24F192N120H4S	240	480	140	109-1/2	99	27	130	6 150#	131	8 150#	132	10 150#	134	12 150#		
C24F192N140H4S	280	480	160	129-1/2	119	27	150	6 150#	151	8 150#	152	10 150#	154	12 150#		
C24F192N160H4S	323	480	180	149-1/2	139	27	170	6 150#	171	8 150#	172	10 150#	174	12 150#		
C24F192N180H4S	360	480	200	169-1/2	159	27	190	6 150#	191	8 150#	192	10 150#	194	12 150#		

Circulation Heaters

Type IC

Watt Density: 2

Diameter (in.): 2.5

Watt Density (w/sq.in.): 2

GCI Circulation Heater Drawing No. IC-300 Dimensions (Inches) A, B, B1, C, D, E, F, G						D = 3 E = N/A		Nozzles Option 1		Nozzles Option 2		Nozzles Option 3		Nozzles Option 4	
Catalog Number	kW	Volt	A	B	C	F	B1	G1(in.)	B1	G2(in.)	B1	G3(in)	B1	G4(in)	
C2F3N18M4YD	0.25	240	24	N/A	N/A	5-1/2	20	1 FNPT	22	2 FNPT	24	1 150#	25	2 150#	
C2F3N20M4YD	0.325	240	26	N/A	N/A	5-1/2	22	1 FNPT	24	2 FNPT	26	1 150#	27	2 150#	
C2F3N25M4YD	0.375	240	31	N/A	N/A	5-1/2	27	1 FNPT	29	2 FNPT	31	1 150#	32	2 150#	
C2F3N33M4YD	0.5	240	39	N/A	N/A	5-1/2	35	1 FNPT	37	2 FNPT	39	1 150#	40	2 150#	
C2F3N40M4YD	0.625	240	46	N/A	N/A	5-1/2	42	1 FNPT	44	2 FNPT	46	1 150#	47	2 150#	
C2F3N48M4YD	0.75	240	54	N/A	N/A	5-1/2	50	1 FNPT	52	2 FNPT	54	1 150#	55	2 150#	
C2F3N52M4YD	0.83	240	58	N/A	N/A	5-1/2	54	1 FNPT	56	2 FNPT	58	1 150#	59	2 150#	
C2F3N64M4YD	1.05	240	70	N/A	N/A	5-1/2	66	1 FNPT	68	2 FNPT	70	1 150#	71	2 150#	
C2F3N77M4YD	1.25	240	83	N/A	N/A	5-1/2	79	1 FNPT	81	2 FNPT	83	1 150#	84	2 150#	
C2F3N88M4YD	1.4	240	94	N/A	N/A	5-1/2	90	1 FNPT	92	2 FNPT	94	1 150#	95	2 150#	
C2F3N106M4Y	6.3	480	112	N/A	N/A	5-1/2	108	1 FNPT	110	2 FNPT	112	1 150#	113	2 150#	
C2F3N120M4Y	8	480	126	N/A	N/A	5-1/2	122	1 FNPT	124	2 FNPT	126	1 150#	127	2 150#	
C2F3N140M4Y	2.2	240	146	N/A	N/A	5-1/2	142	1 FNPT	144	2 FNPT	146	1 150#	147	2 150#	
C2F3N160M4Y	2.5	240	166	N/A	N/A	5-1/2	162	1 FNPT	164	2 FNPT	166	1 150#	167	2 150#	

Diameter (in.): 3

Watt Density (w/sq.in.): 2

GCI Circulation Heater Drawing No. IC-300 Dimensions (Inches) A, B, B1, C, D, E, F, G						D = 4 E = 6		Nozzles Option 1		Nozzles Option 2		Nozzles Option 3		Nozzles Option 4	
Catalog Number	kW	Volt	A	B	C	F	B1	G1(in.)	B1	G2(in.)	B1	G3(in)	B1	G4(in)	
C3F3N180M4YD	3	240	186-1/2		171	6-1/2	183	1 FNPT	185	2 FNPT	187	1 150#	188	3 150#	

Diameter (in.): 4

Watt Density (w/sq.in.): 2

GCI Circulation Heater Drawing No. IC-300 Dimensions (Inches) A, B, B1, C, D, E, F, G						D = 4 E = 6		Nozzles Option 1		Nozzles Option 2		Nozzles Option 3		Nozzles Option 4	
Catalog Number	kW	Volt	A	B	C	F	B1	G1(in.)	B1	G2(in.)	B1	G3(in)	B1	G4(in)	
C4F6N18M4SY	0.5	480	25	14	9	7-1/2	22	1 FNPT	23	2 FNPT	25	1 150#	26	3 150#	
C4F6N20M4SY	0.6	480	27	16	11	7-1/2	24	1 FNPT	25	2 FNPT	27	1 150#	28	3 150#	
C4F6N25M4SY	0.7	480	32	21	16	7-1/2	29	1 FNPT	30	2 FNPT	32	1 150#	33	3 150#	
C4F6N33M4SY	1	480	40	29	24	7-1/2	37	1 FNPT	38	2 FNPT	40	1 150#	41	3 150#	
C4F6N40M4SY	1.2	480	47	36	31	7-1/2	43	1 FNPT	44	2 FNPT	46	1 150#	47	3 150#	
C4F6N48M4SY	1.5	480	55	44	39	7-1/2	52	1 FNPT	53	2 FNPT	55	1 150#	56	3 150#	
C4F6N52M4SY	1.7	480	59	48	43	7-1/2	56	1 FNPT	57	2 FNPT	59	1 150#	60	3 150#	
C4F6N64M4SY	2.1	480	71	60	55	7-1/2	68	1 FNPT	69	2 FNPT	71	1 150#	72	3 150#	
C4F6N88M4SY	2.8	480	95	84	79	7-1/2	93	1 FNPT	94	2 FNPT	96	1 150#	97	3 150#	
C4F6N106M4SY	3.1	480	113	102	97	7-1/2	110	1 FNPT	111	2 FNPT	113	1 150#	114	3 150#	
C4F6N120M4SY	4	480	127	116	111	7-1/2	124	1 FNPT	125	2 FNPT	127	1 150#	128	3 150#	
C4F6N140M4SY	4.4	480	146-1/2	136	131	7-1/2	144	1 FNPT	145	2 FNPT	147	1 150#	148	3 150#	
C4F6N160M4SY	5	480	167	156	151	7-1/2	164	1 FNPT	165	2 FNPT	167	1 150#	168	3 150#	
C4F6N180M4SY	5.6	480	187	176	171	7-1/2	184	1 FNPT	185	2 FNPT	187	1 150#	188	3 150#	

Circulation Heaters

Type IC

Diameter (in.): 5

Watt Density (w/sq.in.): 2

GCI Circulation Heater Drawing No. IC-300 Dimensions (Inches) A, B, B1, C, D, E, F, G							D = 4-1/2 E = 8		Nozzles Option 1		Nozzles Option 2		Nozzles Option 3		Nozzles Option 4	
Catalog Number	kW	Volt	A	B	C	F	B1	G1(in.)	B1	G2(in.)	B1	G3(in)	B1	G4(in)		
C5F6N18M4SY	0.5	480	25-3/4	13-1/2	10	8-1/2	23	2 FNPT	24	2-1/2 FNPT	25	2 150#	26	3 150#		
C5F6N20M4SY	0.6	480	27-3/4	15-1/2	9-1/2	8-1/2	25	2 FNPT	26	2-1/2 FNPT	27	2 150#	28	3 150#		
C5F6N25M4SY	0.7	480	32-3/4	20-1/2	13-3/4	8-1/2	30	2 FNPT	31	2-1/2 FNPT	32	2 150#	33	3 150#		
C5F6N33M4SY	1	480	40-3/4	28-1/2	21-3/4	8-1/2	38	2 FNPT	39	2-1/2 FNPT	40	2 150#	41	3 150#		
C5F6N40M4SY	1.2	480	47-3/4	35-1/2	28-3/4	8-1/2	45	2 FNPT	46	2-1/2 FNPT	47	2 150#	48	3 150#		
C5F6N48M4SY	1.5	480	55-3/4	43-1/2	36-3/4	8-1/2	53	2 FNPT	54	2-1/2 FNPT	55	2 150#	56	3 150#		
C5F6N52M4SY	1.7	480	59-3/4	47-1/2	40-3/4	8-1/2	57	2 FNPT	58	2-1/2 FNPT	59	2 150#	60	3 150#		
C5F6N64M4SY	2.1	480	71-3/4	59-1/2	52-3/4	8-1/2	69	2 FNPT	70	2-1/2 FNPT	71	2 150#	72	3 150#		
C5F6N77M4SY	2.5	480	85-3/4	73-1/2	66-3/4	8-1/2	83	2 FNPT	84	2-1/2 FNPT	85	2 150#	86	3 150#		
C5F6N88M4SY	2.8	480	95-3/4	88-1/2	71-3/4	8-1/2	98	2 FNPT	99	2-1/2 FNPT	100	2 150#	101	3 150#		
C5F6N106M4SY	3.1	480	113-3/4	101-1/2	94-3/4	8-1/2	111	2 FNPT	112	2-1/2 FNPT	113	2 150#	114	3 150#		
C5F6N120M4SY	4	480	127-3/4	115-1/2	108-3/4	8-1/2	125	2 FNPT	126	2-1/2 FNPT	127	2 150#	128	3 150#		
C5F6N140M4SY	4.4	480	147-3/4	135-1/2	128-3/4	8-1/2	145	2 FNPT	146	2-1/2 FNPT	147	2 150#	148	3 150#		
C5F6N160M4SY	5	480	167-3/4	155-1/2	148-3/4	8-1/2	165	2 FNPT	166	2-1/2 FNPT	167	2 150#	168	3 150#		
C5F6N180M4SY	5.6	480	187-3/4	175-1/2	168-3/4	8-1/2	185	2 FNPT	186	2-1/2 FNPT	187	2 150#	188	3 150#		

Diameter (in.): 6

Watt Density (w/sq.in.): 2

GCI Circulation Heater Drawing No. IC-300 Dimensions (Inches) A, B, B1, C, D, E, F, G							D = 4-1/2 E = 8		Nozzles Option 1		Nozzles Option 2		Nozzles Option 3		Nozzles Option 4	
Catalog Number	kW	Volt	A	B	C	F	B1	G1(in.)	B1	G2(in.)	B1	G3(in)	B1	G4(in)		
C6F12N18M4SY	1	480	26-1/4	13-1/2	10	9-5/8	24	2 FNPT	24	2-1/2 FNPT	26	2 150#	27	3 150#		
C6F12N20M4SY	1.2	480	28-1/4	15-1/2	9-1/2	9-5/8	26	2 FNPT	26	2-1/2 FNPT	28	2 150#	29	3 150#		
C6F12N25M4SY	1.5	480	33-1/4	20-1/2	13-3/4	9-5/8	31	2 FNPT	31	2-1/2 FNPT	33	2 150#	34	3 150#		
C6F12N33M4YD	2	480	41-1/4	28-1/2	21-3/4	9-5/8	39	2 FNPT	39	2-1/2 FNPT	41	2 150#	42	3 150#		
C6F12N33M4SY	2	480	41-1/4	28-1/2	21-3/4	9-5/8	39	2 FNPT	39	2-1/2 FNPT	41	2 150#	42	3 150#		
C6F12N40M4SY	2.5	480	48-1/4	35-1/2	28-3/4	9-5/8	46	2 FNPT	46	2-1/2 FNPT	48	2 150#	49	3 150#		
C6F12N48M4SY	3	480	55-1/4	43-1/2	33-3/4	9-5/8	54	2 FNPT	54	2-1/2 FNPT	56	2 150#	57	3 150#		
C6F12N52M4SY	3.3	480	60-1/4	47-1/2	40-3/4	9-5/8	58	2 FNPT	58	2-1/2 FNPT	60	2 150#	61	3 150#		
C6F12N64M4SY	4.2	480	72-1/4	59-1/2	52-3/4	9-5/8	70	2 FNPT	70	2-1/2 FNPT	72	2 150#	73	3 150#		
C6F12N77M4SY	5	480	86-1/4	73-1/2	66-3/4	9-5/8	84	2 FNPT	84	2-1/2 FNPT	86	2 150#	87	3 150#		
C6F12N88M4SY	5.6	480	96-1/4	83-1/2	76-3/4	9-5/8	94	2 FNPT	94	2-1/2 FNPT	96	2 150#	97	3 150#		
C6F12N106M4SY	6.3	480	114-1/4	101-1/2	94-3/4	9-5/8	112	2 FNPT	112	2-1/2 FNPT	114	2 150#	115	3 150#		
C6F12N120M4SY	7.8	480	128-1/4	115-1/2	108-3/4	9-5/8	126	2 FNPT	126	2-1/2 FNPT	128	2 150#	129	3 150#		
C6F12N140M4SY	9	480	147-3/4	135-1/2	128-3/4	9-5/8	146	2 FNPT	146	2-1/2 FNPT	148	2 150#	149	3 150#		
C6F12N160M4SY	10	480	168-1/4	155-1/2	148-3/4	9-5/8	166	2 FNPT	166	2-1/2 FNPT	168	2 150#	169	3 150#		
C6F12N180M4SY	11	480	189-1/4	175-1/2	168-3/4	9-5/8	186	2 FNPT	186	2-1/2 FNPT	188	2 150#	189	3 150#		

Diameter (in.): 8

Watt Density (w/sq.in.): 2

GCI Circulation Heater Drawing No. IC-300 Dimensions (Inches) A, B, B1, C, D, E, F, G							D = 4-1/2 E = 8-1/2		Nozzles Option 1		Nozzles Option 2		Nozzles Option 3		Nozzles Option 4	
Catalog Number	kW	Volt	A	B	C	F	B1	G1(in.)	B1	G2(in.)	B1	G3(in)	B1	G4(in)		
C8F18N33M4SY	3	480	41-3/4	28-1/2	21-1/4	11-5/8	39	2 FNPT	40	2-1/2 FNPT	42	2 150#	42	3 150#		
C8F18N40M4SY	3.7	480	48-3/4	35-1/2	28-1/4	11-5/8	46	2 FNPT	47	2-1/2 FNPT	49	2 150#	49	3 150#		

Circulation Heaters

Type IC

Diameter (in.): 8

Watt Density (w/sq.in.): 2

GCI Circulation Heater Drawing No. IC-300 Dimensions (Inches) A, B, B1, C, D, E, F, G							D = 4-1/2 E = 8-1/2		Nozzles Option 1		Nozzles Option 2		Nozzles Option 3		Nozzles Option 4	
Catalog Number	kW	Volt	A	B	C	F	B1	G1(in.)	B1	G2(in.)	B1	G3(in)	B1	G4(in)		
C8F18N48M4SY	4.5	480	56-3/4	43-1/2	36-1/4	11-5/8	54	2 FNPT	55	2-1/2 FNPT	57	2 150#	57	3 150#		
C8F18N52M4SY	5	480	61-1/4	47	39-1/4	11-5/8	58	2 FNPT	59	2-1/2 FNPT	60	2 150#	61	3 150#		
C8F18N64M4SY	6.4	480	73-1/4	59	51-1/4	11-5/8	70	2 FNPT	71	2-1/2 FNPT	72	2 150#	73	3 150#		
C8F18N77M4SY	7.5	480	87-1/4	73	65-1/4	11-5/8	84	2 FNPT	85	2-1/2 FNPT	86	2 150#	87	3 150#		
C8F18N88M4SY	8.4	480	97-1/4	83	75-1/4	11-5/8	94	2 FNPT	95	2-1/2 FNPT	96	2 150#	97	3 150#		
C8F18N106M4SY	9.4	480	115-1/4	101	93-1/4	11-5/8	112	2 FNPT	113	2-1/2 FNPT	114	2 150#	115	3 150#		
C8F18N120M4SY	11.7	480	123-1/4	115	107-1/4	11-5/8	126	2 FNPT	127	2-1/2 FNPT	128	2 150#	129	3 150#		
C8F18N140M4SY	13	480	148-1/4	135	127-1/4	11-5/8	146	2 FNPT	147	2-1/2 FNPT	148	2 150#	149	3 150#		
C8F18N160M4SY	15	480	169-1/4	155	147-1/4	11-5/8	166	2 FNPT	167	2-1/2 FNPT	168	2 150#	169	3 150#		
C8F18N180M4SY	17	480	189-1/4	175	167-1/4	11-5/8	186	2 FNPT	187	2-1/2 FNPT	188	2 150#	189	3 150#		
C8F24N33M4SY	4	480	41-3/4	28-1/2	21-1/4	11-5/8	39	2 FNPT	40	2-1/2 FNPT	42	2 150#	42	3 150#		
C8F24N40M4SY	5	480	48-3/4	35-1/2	28-1/4	11-5/8	46	2 FNPT	47	2-1/2 FNPT	49	2 150#	49	3 150#		
C8F24N48M4SY	6	480	56-3/4	43-1/2	36-1/4	11-5/8	54	2 FNPT	55	2-1/2 FNPT	57	2 150#	57	3 150#		
C8F24N52M4SY	6.7	480	61-1/4	47	39-1/4	11-5/8	58	2 FNPT	59	2-1/2 FNPT	60	2 150#	61	3 150#		
C8F24N64M4SY	8.5	480	73-1/4	59	51-1/4	11-5/8	70	2 FNPT	71	2-1/2 FNPT	72	2 150#	73	3 150#		
C8F24N77M4SY	10	480	87-1/4	73	65-1/4	11-5/8	84	2 FNPT	85	2-1/2 FNPT	86	2 150#	87	3 150#		
C8F24N88M4SY	11.2	480	97-1/4	83	75-1/4	11-5/8	94	2 FNPT	95	2-1/2 FNPT	96	2 150#	97	3 150#		
C8F24N106M4SY	13	480	115-1/4	101	93-1/4	11-5/8	112	2 FNPT	113	2-1/2 FNPT	114	2 150#	115	3 150#		
C8F24N120M4SY	16	480	123-1/4	115	107-1/4	11-5/8	126	2 FNPT	127	2-1/2 FNPT	128	2 150#	129	3 150#		
C8F24N140M4SY	18	480	149-1/4	135	127-1/4	11-5/8	146	2 FNPT	147	2-1/2 FNPT	148	2 150#	149	3 150#		
C8F24N160M4SY	20	480	169-1/4	155	147-1/4	11-5/8	166	2 FNPT	167	2-1/2 FNPT	168	2 150#	169	3 150#		
C8F24N180M4SY	23	480	189-1/4	175	167-1/4	11-5/8	186	2 FNPT	187	2-1/2 FNPT	188	2 150#	189	3 150#		

Diameter (in.): 10

Watt Density (w/sq.in.): 2

GCI Circulation Heater Drawing No. IC-300 Dimensions (Inches) A, B, B1, C, D, E, F, G							D = 6-3/4 E = 10		Nozzles Option 1		Nozzles Option 2		Nozzles Option 3		Nozzles Option 4	
Catalog Number	kW	Volt	A	B	C	F	B1	G1(in.)	B1	G2(in.)	B1	G3(in)	B1	G4(in)		
C10F36N52M4SY	10	480	63-1/4	45-1/4	46-3/4	15	60	3 150#	61	4 150#	62	6 150#	63	8 150#		
C10F36N64M4SY	13	480	75-1/4	57-1/4	58-3/4	15	72	3 150#	73	4 150#	74	6 150#	75	8 150#		
C10F36N77M4SY	15	480	89-1/4	71-1/4	72-3/4	15	86	3 150#	87	4 150#	88	6 150#	89	8 150#		
C10F36N88M4SY	17	480	99-1/4	81-1/4	82-3/4	15	96	3 150#	97	4 150#	98	6 150#	99	8 150#		
C10F36N106M4S	19	480	117-1/4	99-1/4	100-3/4	15	114	3 150#	115	4 150#	116	6 150#	117	8 150#		
C10F36N120M4S	24	480	131-1/4	113-1/4	114-3/4	15	128	3 150#	129	4 150#	130	6 150#	131	8 150#		
C10F36N140M4S	27	480	151-1/4	133-1/4	134-3/4	15	148	3 150#	149	4 150#	150	6 150#	151	8 150#		
C10F36N160M4S	30	480	171-1/4	153-1/4	154-3/4	15	168	3 150#	169	4 150#	170	6 150#	171	8 150#		
C10F36N180M4S	34	480	191-1/4	173-1/4	174-3/4	15	188	3 150#	189	4 150#	190	6 150#	191	8 150#		

Diameter (in.): 12

Watt Density (w/sq.in.): 2

GCI Circulation Heater Drawing No. IC-300 Dimensions (Inches) A, B, B1, C, D, E, F, G							D = 6 E = 10		Nozzles Option 1		Nozzles Option 2		Nozzles Option 3		Nozzles Option 4	
Catalog Number	kW	Volt	A	B	C	F	B1	G1(in.)	B1	G2(in.)	B1	G3(in)	B1	G4(in)		
C12F48N33M4SY	8	480	44-1/4	27	19-1/4	15	42	3 150#	43	4 150#	44	6 150#	45	8 150#		
C12F48N52M4SY	13	480	63-1/4	46	37-1/4	16	61	3 150#	62	4 150#	63	6 150#	64	8 150#		

Circulation Heaters

Type IC

Diameter (in.): 12

Watt Density (w/sq.in.): 2

GCI Circulation Heater Drawing No. IC-300 Dimensions (Inches) A, B, B1, C, D, E, F, G							D = 6 E = 10		Nozzles Option 1		Nozzles Option 2		Nozzles Option 3		Nozzles Option 4	
Catalog Number	kW	Volt	A	B	C	F	B1	G1(in.)	B1	G2(in.)	B1	G3(in)	B1	G4(in)		
C12F48N64M4SY	17	480	75-1/4	58	49-1/4	16	73	3 150#	74	4 150#	75	6 150#	76	8 150#		
C12F48N77M4SY	20	480	89-1/4	72	63-1/4	16	92	3 150#	93	4 150#	94	6 150#	95	8 150#		
C12F48N88M4SY	22	480	99-1/4	82	73-1/4	16	97	3 150#	98	4 150#	99	6 150#	100	8 150#		
C12F48N106M4S	25	480	117-1/4	100	91-1/4	16	115	3 150#	116	4 150#	117	6 150#	118	8 150#		
C12F48N120M4S	31	480	131-1/4	114	105-1/4	16	129	3 150#	130	4 150#	131	6 150#	132	8 150#		
C12F48N140M4S	35	480	151-1/4	134	129-1/4	16	149	3 150#	150	4 150#	151	6 150#	152	8 150#		
C12F48N160M4S	40	480	171-1/4	154	145-1/4	16	169	3 150#	170	4 150#	171	6 150#	172	8 150#		
C12F48N180M4S	45	480	191-1/4	174	165-1/4	16	189	3 150#	190	4 150#	191	6 150#	192	8 150#		

Diameter (in.): 14

Watt Density (w/sq.in.): 2

GCI Circulation Heater Drawing No. IC-300 Dimensions (Inches) A, B, B1, C, D, E, F, G							D = 8 E = 10		Nozzles Option 1		Nozzles Option 2		Nozzles Option 3		Nozzles Option 4	
Catalog Number	kW	Volt	A	B	C	F	B1	G1(in.)	B1	G2(in.)	B1	G3(in)	B1	G4(in)		
C14F54N140M4S	40	480	151-3/4	134	129-1/4	17	150	3 150#	151	4 150#	152	6 150#	153	8 150#		
C14F54N160M4S	45	480	171-1/4	154	145-1/4	17	170	3 150#	171	4 150#	172	6 150#	173	8 150#		
C14F54N180M4S	51	480	191-3/4	174	165-1/4	17	190	3 150#	191	4 150#	192	6 150#	193	8 150#		
C14F60N33M4SY	10	480	44-3/4	27	18-1/4	17	43	3 150#	44	4 150#	45	6 150#	46	8 150#		
C14F60N52M4SY	17	480	63-3/4	46	37-1/4	17	62	3 150#	63	4 150#	64	6 150#	65	8 150#		
C14F60N64M4SY	22	480	75-3/4	58	49-1/4	17	74	3 150#	75	4 150#	76	6 150#	77	8 150#		
C14F60N77M4SY	25	480	89-3/4	72	63-1/4	17	87	3 150#	88	4 150#	89	6 150#	90	8 150#		
C14F60N88M4SY	28	480	99-3/4	82	73-1/4	17	98	3 150#	99	4 150#	100	6 150#	101	8 150#		
C14F60N106M4S	32	480	117-3/4	100	91-1/4	17	116	3 150#	117	4 150#	118	6 150#	119	8 150#		
C14F60N120M4S	39	480	131-3/4	114	105-1/4	17	130	3 150#	131	4 150#	132	6 150#	133	8 150#		
C14F60N140M4S	44	480	151-3/4	134	129-1/4	17	150	3 150#	151	4 150#	152	6 150#	153	8 150#		
C14F60N160M4S	51	480	171-1/4	154	145-1/4	17	170	3 150#	171	4 150#	172	6 150#	173	8 150#		
C14F60N180M4S	56	480	191-3/4	174	165-1/4	17	190	3 150#	191	4 150#	192	6 150#	193	8 150#		
C14F72N33M4SY	12	480	44-3/4	27	18-1/4	17	43	3 150#	44	4 150#	45	6 150#	46	8 150#		
C14F72N52M4SY	20	480	63-3/4	46	37-1/4	17	62	3 150#	63	4 150#	64	6 150#	65	8 150#		
C14F72N64M4SY	26	480	75-3/4	58	49-1/4	17	74	3 150#	75	4 150#	76	6 150#	77	8 150#		
C14F72N77M4SY	30	480	89-3/4	72	63-1/4	17	87	3 150#	88	4 150#	89	6 150#	90	8 150#		
C14F72N88M4SY	34	480	99-3/4	82	73-1/4	17	98	3 150#	99	4 150#	100	6 150#	101	8 150#		
C14F72N106M4S	38	480	117-3/4	100	91-1/4	17	116	3 150#	117	4 150#	118	6 150#	119	8 150#		
C14F72N120M4S	47	480	131-3/4	114	105-1/4	17	130	3 150#	131	4 150#	132	6 150#	133	8 150#		
C14F72N140M4S	53	480	151-3/4	134	129-1/4	17	150	3 150#	151	4 150#	152	6 150#	153	8 150#		
C14F72N160M4S	60	480	171-1/4	154	145-1/4	17	170	3 150#	171	4 150#	172	6 150#	173	8 150#		
C14F72N180M4S	68	480	191-3/4	174	165-1/4	17	190	3 150#	191	4 150#	192	6 150#	193	8 150#		

Diameter (in.): 16

Watt Density (w/sq.in.): 2

GCI Circulation Heater Drawing No. IC-300 Dimensions (Inches) A, B, B1, C, D, E, F, G							D = 8-1/2 E = 10		Nozzles Option 1		Nozzles Option 2		Nozzles Option 3		Nozzles Option 4	
Catalog Number	kW	Volt	A	B	C	F	B1	G1(in.)	B1	G2(in.)	B1	G3(in)	B1	G4(in)		
C16F84N140M4S	62	480	151-3/4	131-1/2	123-1/4	19	148	3 150#	149	4 150#	150	6 150#	151	8 150#		
C16F84N160M4S	70	480	174-1/4	151-1/2	143-1/4	19	168	3 150#	169	4 150#	170	6 150#	171	8 150#		

Circulation Heaters

Type IC

Diameter (in.): 16

Watt Density (w/sq.in.): 2

GCI Circulation Heater Drawing No. IC-300 Dimensions (Inches) A, B, B1, C, D, E, F, G							D = 8-1/2 E = 10		Nozzles Option 1		Nozzles Option 2		Nozzles Option 3		Nozzles Option 4	
Catalog Number	kW	Volt	A	B	C	F	B1	G1(in.)	B1	G2(in.)	B1	G3(in)	B1	G4(in)		
C16F84N180M4S	79	480	194-1/4	171-1/2	164-1/4	19	188	3 150#	189	4 150#	190	6 150#	191	8 150#		

Diameter (in.): 18

Watt Density (w/sq.in.): 2

GCI Circulation Heater Drawing No. IC-300 Dimensions (Inches) A, B, B1, C, D, E, F, G							D = 9-1/2 E = 10		Nozzles Option 2		Nozzles Option 3		Nozzles Option 4	
Catalog Number	kW	Volt	A	B	C	F	B1	G1(in.)	B1	G2(in.)	B1	G3(in)	B1	G4(in)
C18F108N140M4S	79	480	156-1/2	130-1/2	120	21	147	3 150#	148	4 150#	150	6 150#	151	8 150#
C18F108N160M4S	91	480	176-1/2	150-1/2	140	21	167	3 150#	168	4 150#	169	6 150#	171	8 150#
C18F108N180M4S	101	480	196-1/2	170-1/2	160	21	187	3 150#	188	4 150#	189	6 150#	191	8 150#

Diameter (in.): 20

Watt Density (w/sq.in.): 2

GCI Circulation Heater Drawing No. IC-300 Dimensions (Inches) A, B, B1, C, D, E, F, G							D = 9-3/4 E = 12		Nozzles Option 1		Nozzles Option 2		Nozzles Option 3		Nozzles Option 4	
Catalog Number	kW	Volt	A	B	C	F	B1	G1(in.)	B1	G2(in.)	B1	G3(in)	B1	G4(in)		
C20F144N140M4S	105	480	157-1/2	130-1/4	120	23	149	3 150#	150	4 150#	151	6 150#	153	8 150#		
C20F144N160M4S	121	480	177-1/2	150-1/4	140	23	169	3 150#	170	4 150#	171	6 150#	173	8 150#		
C20F144N180M4S	135	480	197-1/2	170-1/4	160	23	189	3 150#	190	4 150#	191	6 150#	193	8 150#		

Diameter (in.): 24

Watt Density (w/sq.in.): 2

GCI Circulation Heater Drawing No. IC-300 Dimensions (Inches) A, B, B1, C, D, E, F, G							D = 10-1/2 E = 12		Nozzles Option 1		Nozzles Option 2		Nozzles Option 3		Nozzles Option 4	
Catalog Number	kW	Volt	A	B	C	F	B1	G1(in.)	B1	G2(in.)	B1	G3(in)	B1	G4(in)		
C24F192N140M4S	140	480	160	129-1/2	119	27	150	6 150#	151	8 150#	152	10 150#	154	12 150#		
C24F192N160M4S	162	480	180	149-1/2	140	27	170	6 150#	171	8 150#	172	10 150#	174	12 150#		
C24F192N180M4S	180	480	200	169-1/2	159	27	190	6 150#	191	8 150#	192	10 150#	194	12 150#		

GAUMER PROCESS

HEATERS
SYSTEMS
CONTROLS

Fuel Gas Heaters

Type 3FG (6FG)(9FG)(15FG)
300#, 600#, 900#, and 1500# Ratings

APPLICATIONS

For heating gases under high pressures. It is most commonly used to reduce the moisture and the formation of ice during any pressure reduction of the gas. Although 20-23 W/sq.in. is considered a standard for most fuel gas heating applications to 300° F, care must be taken to assure constant and even flow of the gas over the heating bundle. Process flow conditions may require the reduction of the heater Watt-Density to 12-15 Watts/Sq.In. and if the outlet gas temperature must exceed 300° F then even a lower Watt-Density is necessary. Contact Gaumer for specific recommendations.

STANDARD FEATURES

Pipebody Chamber

- All Welded Construction
- 100% Hydrostatic Tested
- Sizes to 24 in. Diam. Available as Standard
- Over 200 Nozzle Arrangements are Standard
- Both Vertical and Horizontal Models Standard
- Both Mtg Brackets and Saddles are Standard
- Drain Plugs Where Applicable are Standard
- Chamber Connection Type and Size per Options detailed on Catalog Page
- Chamber Connection Type and Size other than that detailed on Catalog Page

Heating Elements

- Incoloy 800 Sheath Material, Sealed Terminal
- Heavy Wall (.035 in.), Large diameter (.475 in.)

Spacers

- Rugged Design, High Temp Alloy Material
- "Evenflow" Configuration Standard

Construction

- Welded Heating Elements
- Welded Terminal Housings and Spacers

Installation

- Flying Leadwires Factory Installed
- Only Standard Materials Needed in Field

Service

- Wiring Modifiable in Field
- Assembly Repairable at Factory



SPECIAL FEATURES

- 600#, 900#, 1500#, etc. Construction
- ASME Coded and Stamped Heater
- ASME Coded and Stamped Chamber
- Stainless Steel Construction - Type 304, 316
- Explosion Resistant Terminal Enclosure
- Sheath Sensing Type K (J) Thermocouple attached to one element for overheat
- Offset (Spaced Away) Terminal Housing
- Space Heater Mounted in Term. Enclosure
- Insulation Jkt (CaSi-2 in.) Alum. Jacket
- Insulation Jkt (CaSi-2 in.) Stain.Stl.Jacket
- Insulation Jacket - Weatherproof Const.
- Insulation Jacket Other than Cataloged
- Thermowell/TC (Type J/K) mtd. in Outlet
- Special Feature not Listed Above

11/19/2001

Page 1 of 16

GAUMER COMPANY, INC. · 13616 Hempstead Road · Houston · Texas · 77040 · Ph: 713.460.5200
Ph: 800.460.5200 · Fx: 713.460.1444 · Fx: 800.460.5700 · www.gaumer.com · sales@gaumer.com

Fuel Gas Heaters

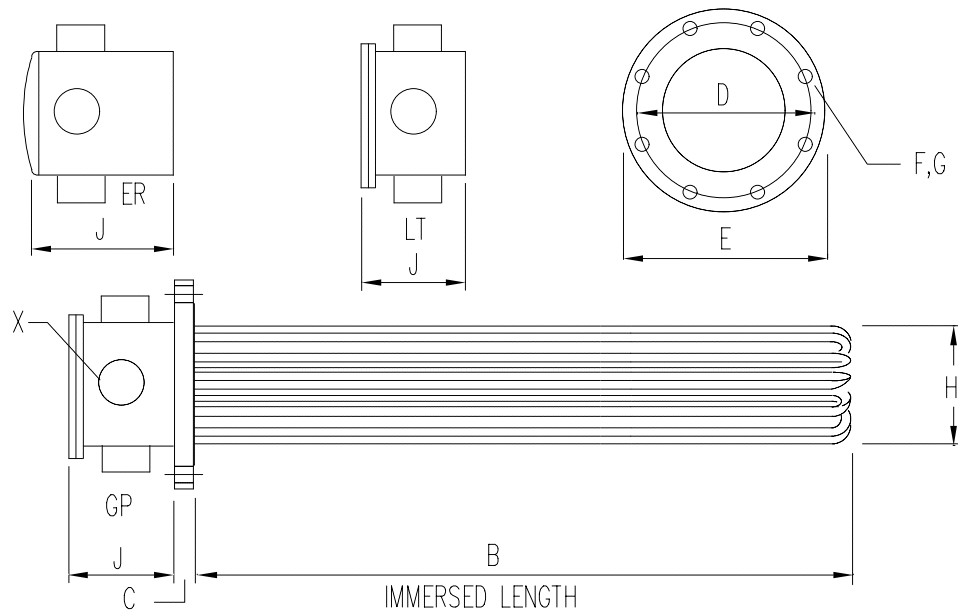
Type 3FG (6FG)(9FG)(15FG)

300#, 600#, 900#, and 1500# Ratings

Gaumer Drawing No. FG-200 (Dimension Flange Heater Detail)

Rating (lb.)	Flange Size (in)	Flange Dimensions (inches)			Bolt Size F	Qty of Holes G	Inside Diam. H	Housing Height (inches)			X - No and Size Conduit Connection		
		C Thick	D Diam:	E Diam:				J GP:	J ER:	J LT:	GP:	ER:	LT:
300	3	1-1/8	6-5/8	8-1/4	3/4	8	2-3/4	2-5/8	5-1/2	2-5/8	1@1	2@1-1/4	1@1
300	4	1-1/4	7-7/8	10	3/4	8	3-13/16	5-1/2	6-1/2	5-1/2	4@1-1/2	2@1-1/2	4@1-1/2
300	5	1-3/8	9-1/4	11	3/4	8	4-13/16	5-1/2	6-1/2	5-1/2	4@1-1/2	2@1-1/2	4@1-1/2
300	6	1-7/16	10-5/8	12-1/2	3/4	12	5-3/4	5-1/2	8	5-1/2	4@1-1/2	4@1-1/2	4@1-1/2
300	8	1-5/8	13	15	7/8	12	7-13/16	5-1/2	9	5-1/2	4@1-1/2	4@1-1/2	4@1-1/2
300	10	1-7/8	15-1/4	17-1/2	1	16	9-5/8	7	11	7	4@2	4@2	4@2
300	12	2	17-3/4	20-1/2	1-1/8	16	11-5/8	7	11	7	4@2	4@2	4@2
300	14	2-1/8	20-1/4	23	1-1/8	20	12-1/2	7	11	7	4@2	4@2	4@2
300	16	2-1/4	22-1/2	25-1/2	1-1/4	20	14-1/2	9	13	9	4@2	4@2	4@2
300	18	2-3/8	24-3/4	28	1-1/4	24	16-3/8	9	13	9	4@2	4@2	4@2
300	20	2-1/2	27	30-1/2	1-1/4	24	18-5/16	9	13	9	4@2	4@2	4@2
300	24	2-3/4	32	36	1-1/2	24	22-1/8	11	15	11	6@2	6@2	6@2
600	3	1-1/4	6-5/8	8-1/4	3/4	8	2-3/4	2-5/8	5-1/2	2-5/8	1@1	2@1-1/4	1@1
600	4	1-1/2	8-1/2	10-3/4	7/8	8	3-13/16	5-1/2	6-1/2	5-1/2	4@1-1/2	2@1-1/2	4@1-1/2
600	5	1-3/4	10-1/2	13	1	8	4-13/16	5-1/2	6-1/2	5-1/2	4@1-1/2	2@1-1/2	4@1-1/2
600	6	1-7/8	11-1/2	14	1	12	5-3/4	5-1/2	8	5-1/2	4@1-1/2	4@1-1/2	4@1-1/2
600	8	2-3/16	13-3/4	16-1/2	1-1/8	12	7-13/16	5-1/2	9	5-1/2	4@1-1/2	4@1-1/2	4@1-1/2
600	10	2-1/2	17	20	1-1/4	16	9-5/8	7	11	7	4@2	4@2	4@2
600	12	2-5/8	19-1/4	22	1-1/4	20	11-5/8	7	11	7	4@2	4@2	4@2
600	14	2-3/4	20-3/4	23-3/4	1-3/8	20	12-1/2	7	11	7	4@2	4@2	4@2
600	16	3	23-3/4	29	1-1/2	20	14-1/2	9	13	9	4@2	4@2	4@2
600	18	3-1/4	25-3/4	29-1/4	1-5/8	20	16-3/8	9	13	9	4@2	4@2	4@2
600	20	3-1/2	28-1/2	32	1-5/8	24	18-5/16	9	13	9	4@2	4@2	4@2
600	24	4	33	37	1-7/8	24	22-1/8	11	15	11	6@2	6@2	6@2
900	3	1-1/2	7-1/2	9-1/2	7/8	8	2-3/4	2-5/8	5-1/2	2-5/8	1@1	2@1-1/4	1@1
900	4	1-3/4	9-1/4	11-1/2	1-1/8	8	3-13/16	5-1/2	6-1/2	5-1/2	4@1-1/2	2@1-1/2	4@1-1/2
900	5	2	11	13-3/4	1-1/4	8	4-13/16	5-1/2	6-1/2	5-1/2	4@1-1/2	2@1-1/2	4@1-1/2
900	6	2-3/16	12-1/2	15	1-1/8	12	5-3/4	5-1/2	8	5-1/2	4@1-1/2	4@1-1/2	4@1-1/2
900	8	2-1/2	15-1/2	18-1/2	1-3/8	12	7-13/16	5-1/2	9	5-1/2	4@1-1/2	4@1-1/2	4@1-1/2
900	10	2-3/4	18-1/2	21-1/2	1-3/8	16	9-5/8	7	11	7	4@2	4@2	4@2
900	12	3-1/8	21	24	1-3/8	20	11-5/8	7	11	7	4@2	4@2	4@2
900	14	3-3/8	22	25-1/4	1-1/2	20	12-1/2	7	11	7	4@2	4@2	4@2
900	16	3-1/2	24-1/2	27-3/4	1-5/8	20	14-1/2	9	13	9	4@2	4@2	4@2
900	18	4	27	31	1-7/8	20	16-3/8	9	13	9	4@2	4@2	4@2
900	20	4-1/4	29-1/2	33-3/4	2-1/2	20	18-5/16	9	13	9	4@2	4@2	4@2
900	24	5-1/2	35-1/2	41	2-1/2	20	22-1/8	11	15	11	6@2	6@2	6@2
1500	3	1-7/8	8	10-1/2	1-1/8	8	2-3/4	2-5/8	5-1/2	2-5/8	1@1	2@1-1/4	1@1
1500	4	2-1/8	9-1/2	12-1/4	1-1/4	8	3-13/16	5-1/2	6-1/2	5-1/2	4@1-1/2	2@1-1/2	4@1-1/2
1500	5	2-7/8	11-1/2	14-3/4	1-1/2	8	4-13/16	5-1/2	6-1/2	5-1/2	4@1-1/2	2@1-1/2	4@1-1/2
1500	6	3-1/4	12-1/2	15-1/2	1-3/8	12	5-3/4	5-1/2	8	5-1/2	4@1-1/2	4@1-1/2	4@1-1/2
1500	8	3-5/8	15-1/2	19	1-5/8	12	7-13/16	5-1/2	9	5-1/2	4@1-1/2	4@1-1/2	4@1-1/2
1500	10	4-1/4	19	23	1-7/8	12	9-5/8	7	11	7	4@2	4@2	4@2
1500	12	4-7/8	22-1/4	26-1/2	2	16	11-5/8	7	11	7	4@2	4@2	4@2
1500	14	5-1/4	25	29-1/2	2-1/4	16	12-1/2	7	11	7	4@2	4@2	4@2
1500	16	5-3/4	27-3/4	32-1/2	2-1/2	16	14-1/2	9	13	9	4@2	4@2	4@2

Fuel Gas Heaters
Type 3FG (6FG)(9FG)(15FG)
300#, 600#, 900#, and 1500# Ratings

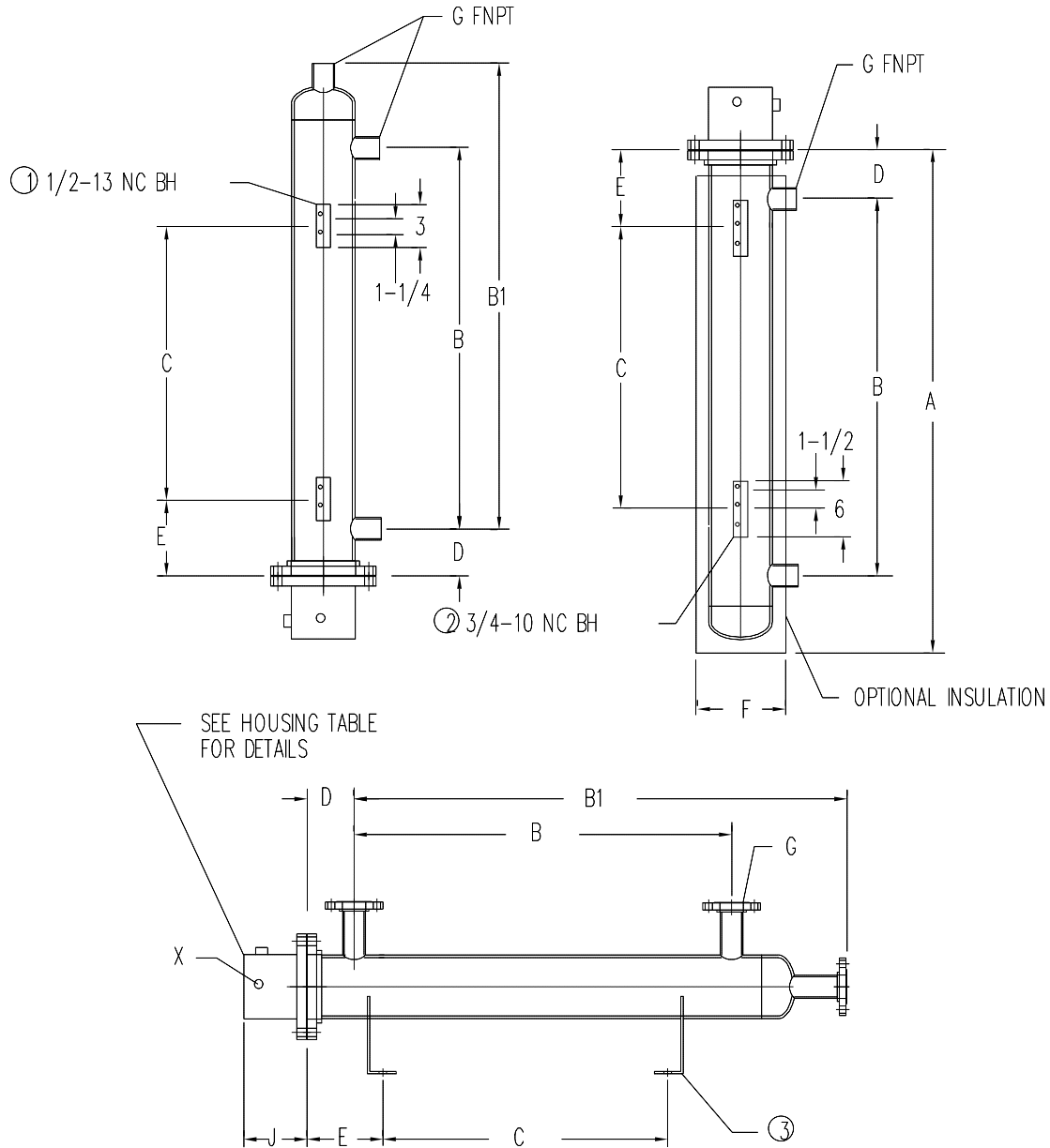


Gaumer Drawing No. FG-300
(Dimension Option Detail)

Fuel Gas Heaters

Type 3FG (6FG)(9FG)(15FG)

300#, 600#, 900#, and 1500# Ratings



- ① FOR SIZES 3" THUR 6"
- ② FOR SIZES 8" THRU 14"
- ③ SADDLES OPTIONAL

Fuel Gas Heaters
Type 3FG (6FG)(9FG)(15FG)
300#, 600#, 900#, and 1500# Ratings

Watt Density: 23

Diameter (in.): 3

Watt Density (w/sq.in.): 23

Gauger Fuel Gas Heater Dwg. No. FG-300 Dim. (Inches) A, B, B1, C, D, E, F, G >					D=4		Nozzles Option 11		Nozzles Option 12		Nozzles Option 13		Nozzles Option 14	
					E=6-1/2									
Catalog Number	kW	Volt	A	B	C	F	B1	G1(in.)	B1	G2(in.)	B1	G3(in)	B1	G4(in)
3FG3F3N106M4	19	480	112-1/2	102	97	6-1/2	109	1 FNPT	111	1 300#	113	2 300#	114	3 300#
3FG3F3N120M4	24	480	126-1/2	116	111	6-1/2	123	1 FNPT	125	1 300#	127	2 300#	128	3 300#
3FG3F3N140M4	26	480	146-1/2	136	131	6-1/2	143	1 FNPT	145	1 300#	147	2 300#	148	3 300#
3FG3F3N160M4	30	480	166-1/2	156	151	6-1/2	163	1 FNPT	165	1 300#	167	2 300#	168	3 300#

Diameter (in.): 4

Watt Density (w/sq.in.): 23

Gauger Fuel Gas Heater Dwg. No. FG-300 Dim. (Inches) A, B, B1, C, D, E, F, G >					D=4		Nozzles Option 11		Nozzles Option 12		Nozzles Option 13		Nozzles Option 14	
					E=7-1/2									
Catalog Number	kW	Volt	A	B	C	F	B1	G1(in.)	B1	G2(in.)	B1	G3(in)	B1	G4(in)
3FG4F6N106M4	38	480	113	102	97	7-1/2	110	1 FNPT	111	1 300#	113	2 300#	114	3 300#
3FG4F6N120M4	47	480	127	116	111	7-1/2	124	1 FNPT	125	1 300#	127	2 300#	128	3 300#
3FG4F6N140M4	53	480	147	136	131	7-1/2	144	1 FNPT	145	1 300#	147	2 300#	148	3 300#
3FG4F6N160M4	60	480	167	156	151	7-1/2	164	1 FNPT	165	1 300#	167	2 300#	168	3 300#

Diameter (in.): 5

Watt Density (w/sq.in.): 23

Gauger Fuel Gas Heater Dwg. No. FG-300 Dim. (Inches) A, B, B1, C, D, E, F, G >					D=4-1/2		Nozzles Option 11		Nozzles Option 12		Nozzles Option 13		Nozzles Option 14	
					E=8-1/2									
Catalog Number	kW	Volt	A	B	C	F	B1	G1(in.)	B1	G2(in.)	B1	G3(in)	B1	G4(in)
3FG5F6N106M4	38	480	113-3/4	101-1/2	94-3/4	8-1/2	111	2 FNPT	112	1-1/2 300#	113	2 300#	114	3 300#
3FG5F6N120M4	47	480	127-3/4	115-1/2	108-3/4	8-1/2	125	2 FNPT	126	1-1/2 300#	127	2 300#	128	3 300#
3FG5F6N140M4	53	480	147-3/4	135-1/2	128-3/4	8-1/2	145	2 FNPT	146	1-1/2 300#	147	2 300#	148	3 300#
3FG5F6N160M4	60	480	167-3/4	155-1/2	148-3/4	8-1/2	165	2 FNPT	166	1-1/2 300#	167	2 300#	168	3 300#
3FG5F9N106M4	57	480	113-3/4	101-1/2	94-3/4	8-1/2	111	2 FNPT	112	1-1/2 300#	113	2 300#	114	3 300#
3FG5F9N120M4	70	480	127-3/4	115-1/2	108-3/4	8-1/2	125	2 FNPT	126	1-1/2 300#	127	2 300#	128	3 300#
3FG5F9N140M4	79	480	147-3/4	135-1/2	128-3/4	8-1/2	145	2 FNPT	146	1-1/2 300#	147	2 300#	148	3 300#
3FG5F9N160M4	91	480	167-3/4	155-1/2	148-3/4	8-1/2	165	2 FNPT	166	1-1/2 300#	167	2 300#	168	3 300#

Diameter (in.): 6

Watt Density (w/sq.in.): 23

Gauger Fuel Gas Heater Dwg. No. FG-300 Dim. (Inches) A, B, B1, C, D, E, F, G >					D=4-1/2		Nozzles Option 11		Nozzles Option 12		Nozzles Option 13		Nozzles Option 14	
					E=9-5/8									
Catalog Number	kW	Volt	A	B	C	F	B1	G1(in.)	B1	G2(in.)	B1	G3(in)	B1	G4(in)
3FG6F12N106M4	76	480	114-1/4	101-1/2	94-3/4	9-5/8	112	2 FNPT	112	1-1/2 300#	114	2 300#	115	3 300#
3FG6F12N120M4	94	480	128-1/4	115-1/2	108-3/4	9-5/8	126	2 FNPT	126	1-1/2 300#	128	2 300#	129	3 300#
3FG6F12N140M4	105	480	148-1/4	135-1/2	128-3/4	9-5/8	146	2 FNPT	146	1-1/2 300#	148	2 300#	149	3 300#
3FG6F12N160M4	121	480	168-1/4	155-1/2	148-3/4	9-5/8	166	2 FNPT	166	1-1/2 300#	168	2 300#	169	3 300#
3FG6F15N106M4	95	480	114-1/4	101-1/2	94-3/4	9-5/8	112	2 FNPT	112	1-1/2 300#	114	2 300#	115	3 300#
3FG6F15N120M4	117	480	128-1/4	115-1/2	108-3/4	9-5/8	126	2 FNPT	126	1-1/2 300#	128	2 300#	129	3 300#

Fuel Gas Heaters

Type 3FG (6FG)(9FG)(15FG)

300#, 600#, 900#, and 1500# Ratings

Diameter (in.): 6

Watt Density (w/sq.in.): 23

Gauger Fuel Gas Heater Dwg. No. FG-300 Dim. (Inches) A, B, B1, C, D, E, F, G >							D=4-1/2 E=9-5/8		Nozzles Option 11		Nozzles Option 12		Nozzles Option 13		Nozzles Option 14	
Catalog Number	kW	Volt	A	B	C	F	B1	G1(in.)	B1	G2(in.)	B1	G3(in)	B1	G4(in)		
3FG6F15N140M4	131	480	148-1/4	135-1/2	128-3/4	9-5/8	146	2 FNPT	146	1-1/2 300#	148	2 300#	149	3 300#		
3FG6F15N160M4	151	480	168-1/4	155-1/2	148-3/4	9-5/8	166	2 FNPT	166	1-1/2 300#	168	2 300#	169	3 300#		

Diameter (in.): 8

Watt Density (w/sq.in.): 23

Gauger Fuel Gas Heater Dwg. No. FG-300 Dim. (Inches) A, B, B1, C, D, E, F, G >							D=5 E=11-5/8		Nozzles Option 11		Nozzles Option 12		Nozzles Option 13		Nozzles Option 14	
Catalog Number	kW	Volt	A	B	C	F	B1	G1(in.)	B1	G2(in.)	B1	G3(in)	B1	G4(in)		
3FG8F18N106M4	114	480	115-1/4	101	93-1/4	11-5/8	112	2 FNPT	113	1-1/2 300#	114	2 300#	115	3 300#		
3FG8F18N120M4	140	480	123-1/4	115	107-1/4	11-5/8	126	2 FNPT	127	1-1/2 300#	128	2 300#	129	3 300#		
3FG8F18N140M4	157	480	149-1/4	135	127-1/4	11-5/8	146	2 FNPT	147	1-1/2 300#	148	2 300#	149	3 300#		
3FG8F18N160M4	181	480	169-1/4	155	147-1/4	11-5/8	166	2 FNPT	167	1-1/2 300#	168	2 300#	169	3 300#		
3FG8F24N106M4	151	480	115-1/4	101	93-1/4	11-5/8	112	2 FNPT	113	1-1/2 300#	114	2 300#	115	3 300#		
3FG8F24N120M4	188	480	123-1/4	115	107-1/4	11-5/8	126	2 FNPT	127	1-1/2 300#	128	2 300#	129	3 300#		
3FG8F24N140M4	210	480	149-1/4	135	127-1/4	11-5/8	146	2 FNPT	147	1-1/2 300#	148	2 300#	149	3 300#		
3FG8F24N160M4	242	480	169-1/4	155	147-1/4	11-5/8	166	2 FNPT	167	1-1/2 300#	168	2 300#	169	3 300#		

Diameter (in.): 10

Watt Density (w/sq.in.): 23

Gauger Fuel Gas Heater Dwg. No. FG-300 Dim. (Inches) A, B, B1, C, D, E, F, G >							D=6-3/4 E=15		Nozzles Option 11		Nozzles Option 12		Nozzles Option 13		Nozzles Option 14	
Catalog Number	kW	Volt	A	B	C	F	B1	G1(in.)	B1	G2(in.)	B1	G3(in)	B1	G4(in)		
3FG10F27N106M4	170	480	117-1/4	99-1/4	100-3/4	15	114	3 300#	115	4 300#	116	6 300#	117	8 300#		
3FG10F27N120M4	210	480	131-1/4	113-1/4	114-3/4	15	128	3 300#	129	4 300#	130	6 300#	131	8 300#		
3FG10F36N106M4	227	480	117-1/4	99-1/4	100-3/4	15	114	3 300#	115	4 300#	116	6 300#	117	8 300#		
3FG10F36N120M4	281	480	131-1/4	113-1/4	114-3/4	15	128	3 300#	129	4 300#	130	6 300#	131	8 300#		
3FG10F36N140M4	315	480	151-1/4	133-1/4	134-3/4	15	149	3 300#	149	4 300#	150	6 300#	151	8 300#		
3FG10F36N160M4	362	480	171-1/4	153-1/4	154-3/4	15	168	3 300#	169	4 300#	170	6 300#	171	8 300#		

Diameter (in.): 12

Watt Density (w/sq.in.): 23

Gauger Fuel Gas Heater Dwg. No. FG-300 Dim. (Inches) A, B, B1, C, D, E, F, G >							D=6 E=16		Nozzles Option 11		Nozzles Option 12		Nozzles Option 13		Nozzles Option 14	
Catalog Number	kW	Volt	A	B	C	F	B1	G1(in.)	B1	G2(in.)	B1	G3(in)	B1	G4(in)		
3FG12F36N106M4	227	480	117-1/4	100	91-1/4	16	115	3 300#	116	4 300#	117	6 300#	118	8 300#		
3FG12F36N120M4	280	480	131-1/4	114	105-1/4	16	129	3 300#	130	4 300#	131	6 300#	132	8 300#		
3FG12F36N140M4	315	480	151-1/4	134	129-1/4	16	149	3 300#	150	4 300#	151	6 300#	152	8 300#		
3FG12F36N160M4	362	480	171-1/4	154	145-1/4	16	169	3 300#	170	4 300#	171	6 300#	172	8 300#		
3FG12F48N106M4	303	480	117-1/4	100	91-1/4	16	115	3 300#	116	4 300#	117	6 300#	118	8 300#		
3FG12F48N120M4	375	480	131-1/4	114	105-1/4	16	129	3 300#	130	4 300#	131	6 300#	132	8 300#		
3FG12F48N140M4	414	480	151-1/4	134	129-1/4	16	149	3 300#	150	4 300#	151	6 300#	152	8 300#		
3FG12F48N160M4	476	480	171-1/4	154	145-1/4	16	169	3 300#	170	4 300#	171	6 300#	172	8 300#		

Fuel Gas Heaters

Type 3FG (6FG)(9FG)(15FG)

300#, 600#, 900#, and 1500# Ratings

Diameter (in.): 14

Watt Density (w/sq.in.): 23

Gauger Fuel Gas Heater Dwg. No. FG-300 Dim. (Inches) A, B, B1, C, D, E, F, G >							D=8 E=17		Nozzles Option 11		Nozzles Option 12		Nozzles Option 13		Nozzles Option 14	
Catalog Number	kW	Volt	A	B	C	F	B1	G1(in.)	B1	G2(in.)	B1	G3(in)	B1	G4(in)		
3FG14F48N140M4	420	480	151-3/4	134	129-1/4	17	150	3 300#	151	4 300#	152	6 300#	153	8 300#		
3FG14F48N160M4	483	480	171-1/4	154	145-1/4	17	170	3 300#	171	4 300#	172	6 300#	173	8 300#		
3FG14F54N106M4	340	480	117-3/4	100	91-1/4	17	116	3 300#	117	4 300#	118	6 300#	119	8 300#		
3FG14F54N120M4	421	480	131-3/4	114	105-1/4	17	130	3 300#	131	4 300#	132	6 300#	133	8 300#		
3FG14F54N140M4	472	480	151-3/4	134	129-1/4	17	150	3 300#	151	4 300#	152	6 300#	153	8 300#		
3FG14F54N160M4	542	480	171-1/4	154	145-1/4	17	170	3 300#	171	4 300#	172	6 300#	173	8 300#		
3FG14F60N106M4	378	480	117-3/4	100	91-1/4	17	116	3 300#	117	4 300#	118	6 300#	119	8 300#		
3FG14F60N120M4	468	480	131-3/4	114	105-1/4	17	130	3 300#	131	4 300#	132	6 300#	133	8 300#		
3FG14F60N140M4	525	480	151-3/4	134	129-1/4	17	150	3 300#	151	4 300#	152	6 300#	153	8 300#		
3FG14F60N160M4	603	480	171-1/4	154	145-1/4	17	170	3 300#	171	4 300#	172	6 300#	173	8 300#		
3FG14F72N106M4	454	480	117-3/4	100	91-1/4	17	116	3 300#	117	4 300#	118	6 300#	119	8 300#		
3FG14F72N120M4	562	480	131-3/4	114	105-1/4	17	130	3 300#	131	4 300#	132	6 300#	133	8 300#		
3FG14F72N140M4	630	480	151-3/4	134	129-1/4	17	150	3 300#	151	4 300#	152	6 300#	153	8 300#		
3FG14F72N160M4	724	480	171-1/4	154	145-1/4	17	170	3 300#	171	4 300#	172	6 300#	173	8 300#		

Diameter (in.): 16

Watt Density (w/sq.in.): 23

Gauger Fuel Gas Heater Dwg. No. FG-300 Dim. (Inches) A, B, B1, C, D, E, F, G >							D=8-1/2 E=19		Nozzles Option 11		Nozzles Option 12		Nozzles Option 13		Nozzles Option 14	
Catalog Number	kW	Volt	A	B	C	F	B1	G1(in.)	B1	G2(in.)	B1	G3(in)	B1	G4(in)		
3FG16F84N140M4	735	480	154-1/4	131-1/2	123-1/4	19	148	3 300#	149	4 300#	150	6 300#	151	8 300#		
3FG16F84N160M4	844	480	174-1/4	151-1/2	143-1/4	19	168	3 300#	169	4 300#	170	6 300#	171	8 300#		

Diameter (in.): 18

Watt Density (w/sq.in.): 23

Gauger Fuel Gas Heater Dwg. No. FG-300 Dim. (Inches) A, B, B1, C, D, E, F, G >							D=9-1/2 E=21		Nozzles Option 11		Nozzles Option 12		Nozzles Option 13		Nozzles Option 14	
Catalog Number	kW	Volt	A	B	C	F	B1	G1(in.)	B1	G2(in.)	B1	G3(in)	B1	G4(in)		
3FG18F108N140M4	945	480	156-1/2	130-1/2	120	21	147	3 300#	148	4 300#	149	6 300#	151	8 300#		
3FG18F108N160M4	1086	480	176-1/2	150-1/2	140	21	167	3 300#	168	4 300#	169	6 300#	171	8 300#		

Diameter (in.): 20

Watt Density (w/sq.in.): 23

Gauger Fuel Gas Heater Dwg. No. FG-300 Dim. (Inches) A, B, B1, C, D, E, F, G >							D=9-3/4 E=23		Nozzles Option 11		Nozzles Option 12		Nozzles Option 13		Nozzles Option 14	
Catalog Number	kW	Volt	A	B	C	F	B1	G1(in.)	B1	G2(in.)	B1	G3(in)	B1	G4(in)		
3FG20F144N140M4	1260	480	157-1/2	130-1/4	120	23	149	3 300#	150	4 300#	151	6 300#	153	8 300#		
3FG20F144N160M4	1447	480	177-1/2	150-1/4	140	23	169	3 300#	170	4 300#	171	6 300#	173	8 300#		

Fuel Gas Heaters
 Type 3FG (6FG)(9FG)(15FG)
 300#, 600#, 900#, and 1500# Ratings

Diameter (in.): 24

Watt Density (w/sq.in.): 23

Gaumer Fuel Gas Heater Dwg. No. FG-300 Dim. (Inches) A, B, B1, C, D, E, F, G >					D=10-1/2 E=27		Nozzles Option 11		Nozzles Option 12		Nozzles Option 13		Nozzles Option 14	
Catalog Number	kW	Volt	A	B	C	F	B1	G1(in.)	B1	G2(in.)	B1	G3(in)	B1	G4(in)
3FG24F192N140M4	1680	480	160	129-1/2	119	27	150	6 300#	151	8 300#	152	10 300#	154	12 300#
3FG24F192N160M4	1930	480	180	149-1/2	139	27	170	6 300#	171	8 300#	172	10 300#	174	12 300#

Fuel Gas Heaters
Type 3FG (6FG)(9FG)(15FG)
300#, 600#, 900#, and 1500# Ratings

Watt Density: 20

Diameter (in.): 3

Watt Density (w/sq.in.): 20

Gauger Fuel Gas Heater Dwg. No. FG-300 Dim. (Inches) A, B, B1, C, D, E, F, G >					D=4 E=6-1/2		Nozzles Option 11		Nozzles Option 12		Nozzles Option 13		Nozzles Option 14	
Catalog Number	kW	Volt	A	B	C	F	B1	G1(in.)	B1	G2(in.)	B1	G3(in)	B1	G4(in)
3FG3F3N33B4Y	5	480	39-1/2	N/A	24	6-1/2	36	1 FNPT	38	1 300#	40	2 300#	41	3 300#
3FG3F3N43B4Y	6.7	480	49-1/2	N/A	34	6-1/2	46	1 FNPT	48	1 300#	50	2 300#	51	3 300#
3FG3F3N52B4Y	8.3	480	54-1/2	N/A	39	6-1/2	55	1 FNPT	57	1 300#	59	2 300#	60	3 300#
3FG3F3N61B4Y	10	480	67-1/2	N/A	52	6-1/2	64	1 FNPT	66	1 300#	68	2 300#	69	3 300#
3FG3F3N88B4Y	15	480	94-1/2	N/A	79	6-1/2	91	1 FNPT	93	1 300#	95	2 300#	96	3 300#
3FG3F3N106B4Y	17	480	112-1/2	N/A	97	6-1/2	109	1 FNPT	111	1 300#	113	2 300#	114	3 300#
3FG3F3N120B4Y	19	480	126-1/2	N/A	111	6-1/2	123	1 FNPT	125	1 300#	127	2 300#	128	3 300#

Diameter (in.): 4

Watt Density (w/sq.in.): 20

Gauger Fuel Gas Heater Dwg. No. FG-300 Dim. (Inches) A, B, B1, C, D, E, F, G >					D=4 E=7-1/2		Nozzles Option 11		Nozzles Option 12		Nozzles Option 13		Nozzles Option 14	
Catalog Number	kW	Volt	A	B	C	F	B1	G1(in.)	B1	G2(in.)	B1	G3(in)	B1	G4(in)
3FG4F6N33B4Y	10	480	40	29	24	7-1/2	37	1 FNPT	38	1 300#	40	2 300#	41	3 300#
3FG4F6N43B4Y	13	480	50	39	34	7-1/2	47	1 FNPT	48	1 300#	50	2 300#	51	3 300#
3FG4F6N52B4Y	17	480	59	48	43	7-1/2	56	1 FNPT	57	1 300#	59	2 300#	60	3 300#
3FG4F6N61B4Y	20	480	68	57	52	7-1/2	65	1 FNPT	66	1 300#	68	2 300#	69	3 300#
3FG4F6N88B4Y	30	480	95	84	79	7-1/2	93	1 FNPT	94	1 300#	96	2 300#	97	3 300#
3FG4F6N106B4Y	33	480	113	102	97	7-1/2	110	1 FNPT	111	1 300#	113	2 300#	114	3 300#
3FG4F6N120B4Y	38	480	127	116	111	7-1/2	124	1 FNPT	125	1 300#	127	2 300#	128	3 300#

Diameter (in.): 5

Watt Density (w/sq.in.): 20

Gauger Fuel Gas Heater Dwg. No. FG-300 Dim. (Inches) A, B, B1, C, D, E, F, G >					D=4-1/2 E=8-1/2		Nozzles Option 11		Nozzles Option 12		Nozzles Option 13		Nozzles Option 14	
Catalog Number	kW	Volt	A	B	C	F	B1	G1(in.)	B1	G2(in.)	B1	G3(in)	B1	G4(in)
3FG5F6N33B4Y	10	480	40-3/4	28-1/2	21-3/4	8-1/2	38	2 FNPT	39	1-1/2 300#	40	2 300#	41	3 300#
3FG5F6N43B4Y	13	480	50-3/4	38-1/2	31-3/4	8-1/2	48	2 FNPT	49	1-1/2 300#	50	2 300#	51	3 300#
3FG5F6N52B4Y	17	480	55-3/4	47-1/2	36-3/4	8-1/2	57	2 FNPT	58	1-1/2 300#	59	2 300#	60	3 300#
3FG5F6N61B4Y	20	480	68-3/4	56-1/2	49-3/4	8-1/2	66	2 FNPT	67	1-1/2 300#	68	2 300#	69	3 300#
3FG5F6N88B4Y	30	480	95-3/4	88-1/2	71-3/4	8-1/2	98	2 FNPT	99	1-1/2 300#	100	2 300#	101	3 300#
3FG5F6N106B4Y	33	480	113-3/4	101-1/2	94-3/4	8-1/2	111	2 FNPT	112	1-1/2 300#	113	2 300#	114	3 300#
3FG5F6N120B4Y	38	480	127-3/4	115-1/2	108-3/4	8-1/2	125	2 FNPT	126	1-1/2 300#	127	2 300#	128	3 300#
3FG5F9N33B4Y	15	480	40-3/4	28-1/2	21-3/4	8-1/2	38	2 FNPT	39	1-1/2 300#	40	2 300#	41	3 300#
3FG5F9N43B4Y	20	480	50-3/4	38-1/2	31-3/4	8-1/2	48	2 FNPT	49	1-1/2 300#	50	2 300#	51	3 300#
3FG5F9N52B4Y	25	480	59-3/4	47-1/2	40-3/4	8-1/2	57	2 FNPT	58	1-1/2 300#	59	2 300#	60	3 300#
3FG5F9N61B4Y	30	480	68-3/4	56-1/2	49-3/4	8-1/2	66	2 FNPT	67	1-1/2 300#	68	2 300#	69	3 300#
3FG5F9N88B4Y	45	480	95-3/4	88-1/2	71-3/4	8-1/2	98	2 FNPT	99	1-1/2 300#	100	2 300#	101	3 300#
3FG5F9N106B4Y	50	480	113-3/4	101-1/2	94-3/4	8-1/2	111	2 FNPT	112	1-1/2 300#	113	2 300#	114	3 300#
3FG5F9N120B4Y	57	480	127-3/4	115-1/2	108-3/4	8-1/2	125	2 FNPT	126	1-1/2 300#	127	2 300#	128	3 300#

Fuel Gas Heaters

Type 3FG (6FG)(9FG)(15FG)

300#, 600#, 900#, and 1500# Ratings

Diameter (in.): 6

Watt Density (w/sq.in.): 20

Gauger Fuel Gas Heater Dwg. No. FG-300 Dim. (Inches) A, B, B1, C, D, E, F, G >							D=4-1/2		Nozzles Option 11		Nozzles Option 12		Nozzles Option 13		Nozzles Option 14	
							E=9-5/8									
Catalog Number	kW	Volt	A	B	C	F	B1	G1(in.)	B1	G2(in.)	B1	G3(in)	B1	G4(in)		
3FG6F12N33B4Y	20	480	41-1/4	28-1/2	21-3/4	9-5/8	39	2 FNPT	39	1-1/2 300#	41	2 300#	42	3 300#		
3FG6F12N43B4Y	27	480	50-1/4	38-1/2	28-2/4	9-5/8	49	2 FNPT	49	1-1/2 300#	51	2 300#	52	3 300#		
3FG6F12N52B4Y	33	480	60-1/4	47-1/2	40-3/4	9-5/8	58	2 FNPT	58	1-1/2 300#	60	2 300#	61	3 300#		
3FG6F12N61B4Y	40	480	69-1/4	56-1/2	49-3/4	9-5/8	67	2 FNPT	67	1-1/2 300#	69	2 300#	70	3 300#		
3FG6F12N88B4Y	59	480	96-1/4	83-1/2	76-3/4	9-5/8	94	2 FNPT	94	1-1/2 300#	96	2 300#	97	3 300#		
3FG6F12N106B4Y	67	480	114-1/4	101-1/2	94-3/4	9-5/8	112	2 FNPT	112	1-1/2 300#	114	2 300#	115	3 300#		
3FG6F12N120B4Y	76	480	128-1/4	115-1/2	108-3/4	9-5/8	126	2 FNPT	126	1-1/2 300#	128	2 300#	129	3 300#		
3FG6F15N33B4Y	25	480	41-1/4	28-1/2	21-3/4	9-5/8	39	2 FNPT	39	1-1/2 300#	41	2 300#	42	3 300#		
3FG6F15N43B4Y	33	480	50-1/4	38-1/2	28-2/4	9-5/8	49	2 FNPT	49	1-1/2 300#	51	2 300#	52	3 300#		
3FG6F15N52B4Y	42	480	55-1/4	47-1/2	33-3/4	9-5/8	58	2 FNPT	58	1-1/2 300#	60	2 300#	61	3 300#		
3FG6F15N61B4Y	50	480	69-1/4	56-1/2	49-3/4	9-5/8	67	2 FNPT	67	1-1/2 300#	69	2 300#	70	3 300#		
3FG6F15N88B4Y	74	480	96-1/4	83-1/2	76-3/4	9-5/8	94	2 FNPT	94	1-1/2 300#	96	2 300#	97	3 300#		
3FG6F15N106B4Y	84	480	114-1/4	101-1/2	94-3/4	9-5/8	112	2 FNPT	112	1-1/2 300#	114	2 300#	115	3 300#		
3FG6F15N120B4Y	95	480	128-1/4	115-1/2	108-3/4	9-5/8	126	2 FNPT	126	1-1/2 300#	128	2 300#	129	3 300#		

Diameter (in.): 8

Watt Density (w/sq.in.): 20

Gauger Fuel Gas Heater Dwg. No. FG-300 Dim. (Inches) A, B, B1, C, D, E, F, G >							D=4-1/2		Nozzles Option 11		Nozzles Option 12		Nozzles Option 13		Nozzles Option 14	
							E=11-5/8									
Catalog Number	kW	Volt	A	B	C	F	B1	G1(in.)	B1	G2(in.)	B1	G3(in)	B1	G4(in)		
3FG8F18N33B4Y	30	480	41-3/4	28-1/2	21-1/4	11-5/8	39	2 FNPT	40	1-1/2 300#	42	2 300#	42	3 300#		
3FG8F18N43B4Y	40	480	51-3/4	38-1/2	31-1/4	11-5/8	49	2 FNPT	50	1-1/2 300#	52	2 300#	52	3 300#		
3FG8F18N52B4Y	50	480	61-1/4	47	39-1/4	11-5/8	58	2 FNPT	59	1-1/2 300#	60	2 300#	61	3 300#		
3FG8F18N61B4Y	60	480	70-1/4	56	48-1/4	11-5/8	67	2 FNPT	68	1-1/2 300#	69	2 300#	70	3 300#		
3FG8F18N88B4Y	89	480	97-1/4	83	75-1/4	11-5/8	94	2 FNPT	95	1-1/2 300#	96	2 300#	97	3 300#		
3FG8F18N106B4Y	100	480	115-1/4	101	93-1/4	11-5/8	112	2 FNPT	113	1-1/2 300#	114	2 300#	115	3 300#		
3FG8F18N120B4Y	114	480	123-1/4	115	107-1/4	11-5/8	126	2 FNPT	127	1-1/2 300#	128	2 300#	129	3 300#		
3FG8F24N33B4Y	40	480	41-3/4	28-1/2	21-1/4	11-5/8	39	2 FNPT	40	1-1/2 300#	42	2 300#	42	3 300#		
3FG8F24N43B4Y	53	480	51-3/4	38-1/2	31-1/4	11-5/8	49	2 FNPT	50	1-1/2 300#	52	2 300#	52	3 300#		
3FG8F24N52B4Y	67	480	61-1/4	47	39-1/4	11-5/8	58	2 FNPT	59	1-1/2 300#	60	2 300#	61	3 300#		
3FG8F24N61B4Y	80	480	70-1/4	56	48-1/4	11-5/8	67	2 FNPT	68	1-1/2 300#	69	2 300#	70	3 300#		
3FG8F24N88B4Y	118	480	97-1/4	83	75-1/4	11-5/8	94	2 FNPT	95	1-1/2 300#	96	2 300#	97	3 300#		
3FG8F24N106B4Y	133	480	115-1/4	101	93-1/4	11-5/8	112	2 FNPT	113	1-1/2 300#	114	2 300#	115	3 300#		
3FG8F24N120B4Y	151	480	123-1/4	115	107-1/4	11-5/8	126	2 FNPT	127	1-1/2 300#	128	2 300#	129	3 300#		

Diameter (in.): 10

Watt Density (w/sq.in.): 20

Gauger Fuel Gas Heater Dwg. No. FG-300 Dim. (Inches) A, B, B1, C, D, E, F, G >							D=6-3/4		Nozzles Option 11		Nozzles Option 12		Nozzles Option 13		Nozzles Option 14	
							E=15									
Catalog Number	kW	Volt	A	B	C	F	B1	G1(in.)	B1	G2(in.)	B1	G3(in)	B1	G4(in)		
3FG10F27N52B4Y	75	480	63-1/4	45-1/4	46-3/4	15	60	3 300#	61	4 300#	62	6 300#	63	8 300#		
3FG10F27N61B4Y	90	480	72-1/4	54-1/4	53-3/4	15	69	3 300#	70	4 300#	71	6 300#	72	8 300#		
3FG10F27N88B4Y	133	480	99-1/4	81-1/4	82-3/4	15	96	3 300#	97	4 300#	98	6 300#	99	8 300#		
3FG10F27N106B4Y	151	480	117-1/4	99-1/4	100-3/4	15	114	3 300#	115	4 300#	116	6 300#	117	8 300#		

Fuel Gas Heaters

Type 3FG (6FG)(9FG)(15FG)

300#, 600#, 900#, and 1500# Ratings

Diameter (in.): 10

Watt Density (w/sq.in.): 20

Gauger Fuel Gas Heater Dwg. No. FG-300 Dim. (Inches) A, B, B1, C, D, E, F, G >							D=6-3/4		Nozzles Option 11		Nozzles Option 12		Nozzles Option 13		Nozzles Option 14	
							E=15									
Catalog Number	kW	Volt	A	B	C	F	B1	G1(in.)	B1	G2(in.)	B1	G3(in)	B1	G4(in)		
3FG10F27N120B4Y	171	480	131-1/4	113-1/4	114-3/4	15	128	3 300#	129	4 300#	130	6 300#	131	8 300#		
3FG10F30N33B4Y	50	480	49-1/2	30-1/4	31-3/4	15	45	3 300#	46	4 300#	47	6 300#	48	8 300#		
3FG10F30N43B4Y	67	480	59-1/2	40-1/4	41-3/4	15	55	3 300#	56	4 300#	57	6 300#	58	8 300#		
3FG10F30N52B4Y	83	480	63-1/4	45-1/4	46-3/4	15	60	3 300#	61	4 300#	62	6 300#	63	8 300#		
3FG10F30N61B4Y	100	480	72-1/4	54-1/4	53-3/4	15	69	3 300#	70	4 300#	71	6 300#	72	8 300#		
3FG10F30N88B4Y	148	480	99-1/4	81-1/4	82-3/4	15	96	3 300#	97	4 300#	98	6 300#	99	8 300#		
3FG10F30N106B4Y	167	480	117-1/4	99-1/4	100-3/4	15	114	3 300#	115	4 300#	116	6 300#	117	8 300#		
3FG10F30N120B4Y	190	480	131-1/4	113-1/4	114-3/4	15	128	3 300#	129	4 300#	130	6 300#	131	8 300#		
3FG10F36N33B4Y	60	480	49-1/2	30-1/4	31-3/4	15	45	3 300#	46	4 300#	47	6 300#	48	8 300#		
3FG10F36N43B4Y	80	480	59-1/2	40-1/4	41-3/4	15	55	3 300#	56	4 300#	57	6 300#	58	8 300#		
3FG10F36N52B4Y	100	480	63-1/4	45-1/4	46-3/4	15	60	3 300#	61	4 300#	62	6 300#	63	8 300#		
3FG10F36N61B4Y	120	480	72-1/4	54-1/4	53-3/4	15	69	3 300#	70	4 300#	71	6 300#	72	8 300#		
3FG10F36N88B4Y	178	480	99-1/4	81-1/4	82-3/4	15	96	3 300#	97	4 300#	98	6 300#	99	8 300#		
3FG10F36N106B4Y	200	480	117-1/4	99-1/4	100-3/4	15	114	3 300#	115	4 300#	116	6 300#	117	8 300#		
3FG10F36N120B4Y	228	480	131-1/4	113-1/4	114-3/4	15	128	3 300#	129	4 300#	130	6 300#	131	8 300#		

Diameter (in.): 12

Watt Density (w/sq.in.): 20

Gauger Fuel Gas Heater Dwg. No. FG-300 Dim. (Inches) A, B, B1, C, D, E, F, G >							D=6		Nozzles Option 11		Nozzles Option 12		Nozzles Option 13		Nozzles Option 14	
							E=16									
Catalog Number	kW	Volt	A	B	C	F	B1	G1(in.)	B1	G2(in.)	B1	G3(in)	B1	G4(in)		
3FG12F36N52B4Y	100	480	63-1/4	46	37-1/4	16	61	3 300#	62	4 300#	63	6 300#	64	8 300#		
3FG12F36N61B4Y	120	480	72-1/4	55	46-1/4	16	70	3 300#	71	4 300#	72	6 300#	73	8 300#		
3FG12F36N88B4Y	178	480	99-1/4	82	73-1/4	16	97	3 300#	98	4 300#	99	6 300#	100	8 300#		
3FG12F36N106B4Y	200	480	117-1/4	100	91-1/4	16	115	3 300#	116	4 300#	117	6 300#	118	8 300#		
3FG12F36N120B4Y	228	480	131-1/4	114	105-1/4	16	129	3 300#	130	4 300#	131	6 300#	132	8 300#		
3FG12F48N33B4Y	80	480	44-1/4	27	19-1/4	15	42	3 300#	43	4 300#	44	6 300#	45	8 300#		
3FG12F48N43B4Y	107	480	54-1/4	37	29-1/4	15	52	3 300#	53	4 300#	54	6 300#	55	8 300#		
3FG12F48N52B4Y	133	480	63-1/4	46	37-1/4	16	61	3 300#	62	4 300#	63	6 300#	64	8 300#		
3FG12F48N61B4Y	160	480	72-1/4	55	46-1/4	16	70	3 300#	71	4 300#	72	6 300#	73	8 300#		
3FG12F48N88B4Y	237	480	99-1/4	82	73-1/4	16	97	3 300#	98	4 300#	99	6 300#	100	8 300#		
3FG12F48N106B4Y	267	480	117-1/4	100	91-1/4	16	115	3 300#	116	4 300#	117	6 300#	118	8 300#		
3FG12F48N120B4Y	304	480	131-1/4	114	105-1/4	16	129	3 300#	130	4 300#	131	6 300#	132	8 300#		

Diameter (in.): 14

Watt Density (w/sq.in.): 20

Gauger Fuel Gas Heater Dwg. No. FG-300 Dim. (Inches) A, B, B1, C, D, E, F, G >							D=6		Nozzles Option 11		Nozzles Option 12		Nozzles Option 13		Nozzles Option 14	
							E=17									
Catalog Number	kW	Volt	A	B	C	F	B1	G1(in.)	B1	G2(in.)	B1	G3(in)	B1	G4(in)		
3FG14F48N52B4Y	133	480	63-3/4	46	37-1/4	17	62	3 300#	63	4 300#	64	6 300#	65	8 300#		
3FG14F48N61B4Y	160	480	72-3/4	55	46-1/4	17	71	3 300#	72	4 300#	73	6 300#	74	8 300#		
3FG14F48N88B4Y	237	480	99-3/4	82	73-1/4	17	98	3 300#	99	4 300#	100	6 300#	101	8 300#		
3FG14F48N106B4Y	268	480	117-3/4	100	91-1/4	17	116	3 300#	117	4 300#	118	6 300#	119	8 300#		
3FG14F48N120B4Y	304	480	131-3/4	114	105-1/4	17	130	3 300#	131	4 300#	132	6 300#	133	8 300#		

Fuel Gas Heaters

Type 3FG (6FG)(9FG)(15FG)
300#, 600#, 900#, and 1500# Ratings

Diameter (in.): 14

Watt Density (w/sq.in.): 20

Gauger Fuel Gas Heater Dwg. No. FG-300 Dim. (Inches) A, B, B1, C, D, E, F, G >					D=6 E=17		Nozzles Option 11		Nozzles Option 12		Nozzles Option 13		Nozzles Option 14	
Catalog Number	kW	Volt	A	B	C	F	B1	G1(in.)	B1	G2(in.)	B1	G3(in)	B1	G4(in)
3FG14F54N33B4Y	90	480	44-3/4	27	18-1/4	17	43	3 300#	44	4 300#	45	6 300#	46	8 300#
3FG14F54N43B4Y	120	480	54-3/4	37	28-1/4	17	53	3 300#	54	4 300#	55	6 300#	56	8 300#
3FG14F54N52B4Y	150	480	63-3/4	46	37-1/4	17	62	3 300#	63	4 300#	64	6 300#	65	8 300#
3FG14F54N61B4Y	180	480	72-3/4	55	46-1/4	17	71	3 300#	72	4 300#	73	6 300#	74	8 300#
3FG14F54N88B4Y	266	480	99-3/4	82	73-1/4	17	98	3 300#	99	4 300#	100	6 300#	101	8 300#
3FG14F54N106B4Y	300	480	117-3/4	100	91-1/4	17	116	3 300#	117	4 300#	118	6 300#	119	8 300#
3FG14F54N120B4Y	341	480	131-3/4	114	105-1/4	17	130	3 300#	131	4 300#	132	6 300#	133	8 300#
3FG14F60N33B4Y	100	480	44-3/4	27	18-1/4	17	43	3 300#	44	4 300#	45	6 300#	46	8 300#
3FG14F60N43B4Y	133	480	54-3/4	37	28-1/4	17	53	3 300#	54	4 300#	55	6 300#	56	8 300#
3FG14F60N52B4Y	167	480	63-3/4	46	37-1/4	17	62	3 300#	63	4 300#	64	6 300#	65	8 300#
3FG14F60N61B4Y	200	480	72-3/4	55	46-1/4	17	71	3 300#	72	4 300#	73	6 300#	74	8 300#
3FG14F60N88B4Y	296	480	99-3/4	82	73-1/4	17	98	3 300#	99	4 300#	100	6 300#	101	8 300#
3FG14F60N106B4Y	334	480	117-3/4	100	91-1/4	17	116	3 300#	117	4 300#	118	6 300#	119	8 300#
3FG14F60N120B4Y	380	480	131-3/4	114	105-1/4	17	130	3 300#	131	4 300#	132	6 300#	133	8 300#
3FG14F72N33B4Y	120	480	44-3/4	27	18-1/4	17	43	3 300#	44	4 300#	45	6 300#	46	8 300#
3FG14F72N43B4Y	160	480	54-3/4	37	28-1/4	17	53	3 300#	54	4 300#	55	6 300#	56	8 300#
3FG14F72N52B4Y	200	480	63-3/4	46	37-1/4	17	62	3 300#	63	4 300#	64	6 300#	65	8 300#
3FG14F72N61B4Y	240	480	72-3/4	55	46-1/4	17	71	3 300#	72	4 300#	73	6 300#	74	8 300#
3FG14F72N88B4Y	355	480	99-3/4	82	73-1/4	17	98	3 300#	99	4 300#	100	6 300#	101	8 300#
3FG14F72N106B4Y	401	480	117-3/4	100	91-1/4	17	116	3 300#	117	4 300#	118	6 300#	119	8 300#
3FG14F72N120B4Y	456	480	131-3/4	114	105-1/4	17	130	3 300#	131	4 300#	132	6 300#	133	8 300#

Fuel Gas Heaters

Type 3FG (6FG)(9FG)(15FG)
300#, 600#, 900#, and 1500# Ratings

Watt Density: 15

Diameter (in.): 3

Watt Density (w/sq.in.): 15

Gauger Fuel Gas Heater Dwg. No. FG-300 Dim. (Inches) A, B, B1, C, D, E, F, G >					D=4		Nozzles Option 11		Nozzles Option 12		Nozzles Option 13		Nozzles Option 14	
					E=6-1/2									
Catalog Number	kW	Volt	A	B	C	F	B1	G1(in.)	B1	G2(in.)	B1	G3(in)	B1	G4(in)
3FG3F3N106H4Y	15	480	112-1/2	N/A	97	6-1/2	109	1 FNPT	111	1 300#	113	2 300#	114	3 300#
3FG3F3N120H4Y	15	480	126-1/2	N/A	111	6-1/2	123	1 FNPT	125	1 300#	127	2 300#	128	3 300#
3FG3F3N140H4Y	18	480	146-1/2	N/A	131	6-1/2	143	1 FNPT	145	1 300#	147	2 300#	148	3 300#
3FG3F3N160H4Y	20	480	166-1/2	N/A	151	6-1/2	163	1 FNPT	165	1 300#	167	2 300#	168	3 300#

Diameter (in.): 4

Watt Density (w/sq.in.): 15

Gauger Fuel Gas Heater Dwg. No. FG-300 Dim. (Inches) A, B, B1, C, D, E, F, G >					D=4		Nozzles Option 11		Nozzles Option 12		Nozzles Option 13		Nozzles Option 14	
					E=7-1/2									
Catalog Number	kW	Volt	A	B	C	F	B1	G1(in.)	B1	G2(in.)	B1	G3(in)	B1	G4(in)
3FG4F6N106H4Y	28	480	113	102	97	7-1/2	110	1 FNPT	111	1 300#	113	2 300#	114	3 300#
3FG4F6N120H4Y	30	480	127	116	111	7-1/2	124	1 FNPT	125	1 300#	127	2 300#	128	3 300#
3FG4F6N140H4Y	35	480	147	136	131	7-1/2	144	1 FNPT	145	1 300#	147	2 300#	148	3 300#
3FG4F6N160H4Y	40	480	167	156	151	7-1/2	164	1 FNPT	165	1 300#	167	2 300#	168	3 300#

Diameter (in.): 5

Watt Density (w/sq.in.): 15

Gauger Fuel Gas Heater Dwg. No. FG-300 Dim. (Inches) A, B, B1, C, D, E, F, G >					D=4-1/2		Nozzles Option 11		Nozzles Option 12		Nozzles Option 13		Nozzles Option 14	
					E=8-1/2									
Catalog Number	kW	Volt	A	B	C	F	B1	G1(in.)	B1	G2(in.)	B1	G3(in)	B1	G4(in)
3FG5F6N106H4Y	28	480	113-3/4	101-1/2	94-3/4	8-1/2	111	2 FNPT	112	1-1/2 300#	113	2 300#	114	3 300#
3FG5F6N120H4Y	30	480	127-3/4	115-1/2	108-3/4	8-1/2	125	2 FNPT	126	1-1/2 300#	127	2 300#	128	3 300#
3FG5F6N140H4Y	35	480	147-3/4	135-1/2	128-3/4	8-1/2	145	2 FNPT	146	1-1/2 300#	147	2 300#	148	3 300#
3FG5F6N160H4Y	40	480	167-3/4	155-1/2	148-3/4	8-1/2	165	2 FNPT	166	1-1/2 300#	167	2 300#	168	3 300#
3FG5F9N106H4Y	42	480	113-3/4	101-1/2	94-3/4	8-1/2	111	2 FNPT	112	1-1/2 300#	113	2 300#	114	3 300#
3FG5F9N120H4Y	45	480	127-3/4	115-1/2	108-3/4	8-1/2	125	2 FNPT	126	1-1/2 300#	127	2 300#	128	3 300#
3FG5F9N140H4Y	53	480	147-3/4	135-1/2	128-3/4	8-1/2	145	2 FNPT	146	1-1/2 300#	147	2 300#	148	3 300#
3FG5F9N160H4Y	60	480	167-3/4	155-1/2	148-3/4	8-1/2	165	2 FNPT	166	1-1/2 300#	167	2 300#	168	3 300#

Diameter (in.): 6

Watt Density (w/sq.in.): 15

Gauger Fuel Gas Heater Dwg. No. FG-300 Dim. (Inches) A, B, B1, C, D, E, F, G >					D=4-1/2		Nozzles Option 11		Nozzles Option 12		Nozzles Option 13		Nozzles Option 14	
					E=9-5/8									
Catalog Number	kW	Volt	A	B	C	F	B1	G1(in.)	B1	G2(in.)	B1	G3(in)	B1	G4(in)
3FG6F12N106H4Y	56	480	114-1/4	101-1/2	94-3/4	9-5/8	112	2 FNPT	112	1-1/2 300#	114	2 300#	115	3 300#
3FG6F12N120H4Y	60	480	128-1/4	115-1/2	108-3/4	9-5/8	126	2 FNPT	126	1-1/2 300#	128	2 300#	129	3 300#
3FG6F12N140H4Y	70	480	148-1/4	135-1/2	128-3/4	9-5/8	146	2 FNPT	146	1-1/2 300#	148	2 300#	149	3 300#
3FG6F12N160H4Y	80	480	168-1/4	155-1/2	148-3/4	9-5/8	166	2 FNPT	166	1-1/2 300#	168	2 300#	169	3 300#
3FG6F15N106H4Y	70	480	114-1/4	101-1/2	94-3/4	9-5/8	112	2 FNPT	112	1-1/2 300#	114	2 300#	115	3 300#
3FG6F15N120H4Y	75	480	128-1/4	115-1/2	108-3/4	9-5/8	126	2 FNPT	126	1-1/2 300#	128	2 300#	129	3 300#
3FG6F15N140H4Y	88	480	148-1/4	135-1/2	128-3/4	9-5/8	146	2 FNPT	146	1-1/2 300#	148	2 300#	149	3 300#

Fuel Gas Heaters

Type 3FG (6FG)(9FG)(15FG)

300#, 600#, 900#, and 1500# Ratings

Diameter (in.): 6

Watt Density (w/sq.in.): 15

Gauger Fuel Gas Heater Dwg. No. FG-300 Dim. (Inches) A, B, B1, C, D, E, F, G >							D=4-1/2 E=9-5/8		Nozzles Option 11		Nozzles Option 12		Nozzles Option 13		Nozzles Option 14	
Catalog Number	kW	Volt	A	B	C	F	B1	G1(in.)	B1	G2(in.)	B1	G3(in)	B1	G4(in)		
3FG6F15N160H4Y	101	480	168-1/4	155-1/2	148-3/4	9-5/8	166	2 FNPT	166	1-1/2 300#	168	2 300#	169	3 300#		

Diameter (in.): 8

Watt Density (w/sq.in.): 15

Gauger Fuel Gas Heater Dwg. No. FG-300 Dim. (Inches) A, B, B1, C, D, E, F, G >							D=5 E=11-5/8		Nozzles Option 11		Nozzles Option 12		Nozzles Option 13		Nozzles Option 14	
Catalog Number	kW	Volt	A	B	C	F	B1	G1(in.)	B1	G2(in.)	B1	G3(in)	B1	G4(in)		
3FG8F18N106H4Y	83	480	115-1/4	101	93-1/4	11-5/8	112	2 FNPT	113	1-1/2 300#	114	2 300#	115	3 300#		
3FG8F18N120H4Y	90	480	123-1/4	115	107-1/4	11-5/8	126	2 FNPT	127	1-1/2 300#	128	2 300#	129	3 300#		
3FG8F18N140H4Y	105	480	149-1/4	135	127-1/4	11-5/8	146	2 FNPT	147	1-1/2 300#	148	2 300#	149	3 300#		
3FG8F18N160H4Y	121	480	169-1/4	155	147-1/4	11-5/8	166	2 FNPT	167	1-1/2 300#	168	2 300#	169	3 300#		
3FG8F24N106H4Y	111	480	115-1/4	101	93-1/4	11-5/8	112	2 FNPT	113	1-1/2 300#	114	2 300#	115	3 300#		
3FG8F24N120H4Y	120	480	123-1/4	115	107-1/4	11-5/8	126	2 FNPT	127	1-1/2 300#	128	2 300#	129	3 300#		
3FG8F24N140H4Y	140	480	149-1/4	135	127-1/4	11-5/8	146	2 FNPT	147	1-1/2 300#	148	2 300#	149	3 300#		
3FG8F24N160H4Y	161	480	169-1/4	155	147-1/4	11-5/8	166	2 FNPT	167	1-1/2 300#	168	2 300#	169	3 300#		

Diameter (in.): 10

Watt Density (w/sq.in.): 15

Gauger Fuel Gas Heater Dwg. No. FG-300 Dim. (Inches) A, B, B1, C, D, E, F, G >							D=6-3/4 E=15		Nozzles Option 11		Nozzles Option 12		Nozzles Option 13		Nozzles Option 14	
Catalog Number	kW	Volt	A	B	C	F	B1	G1(in.)	B1	G2(in.)	B1	G3(in)	B1	G4(in)		
3FG10F36N106H4Y	167	480	117-1/4	99-1/4	100-3/4	15	114	3 300#	115	4 300#	116	6 300#	117	8 300#		
3FG10F36N120H4Y	180	480	131-1/4	113-1/4	114-3/4	15	128	3 300#	129	4 300#	130	6 300#	131	8 300#		
3FG10F36N140H4Y	210	480	151-1/4	133-1/4	134-3/4	15	148	3 300#	149	4 300#	150	6 300#	151	8 300#		
3FG10F36N160H4Y	241	480	171-1/4	153-1/4	154-3/4	15	168	3 300#	169	4 300#	170	6 300#	171	8 300#		

Diameter (in.): 12

Watt Density (w/sq.in.): 15

Gauger Fuel Gas Heater Dwg. No. FG-300 Dim. (Inches) A, B, B1, C, D, E, F, G >							D=6 E=16		Nozzles Option 11		Nozzles Option 12		Nozzles Option 13		Nozzles Option 14	
Catalog Number	kW	Volt	A	B	C	F	B1	G1(in.)	B1	G2(in.)	B1	G3(in)	B1	G4(in)		
3FG12F48N106H4Y	222	480	117-1/4	100	91-1/4	16	115	3 300#	116	4 300#	117	6 300#	118	8 300#		
3FG12F48N120H4Y	240	480	131-1/4	114	105-1/4	16	129	3 300#	130	4 300#	131	6 300#	132	8 300#		
3FG12F48N140H4Y	280	480	151-1/4	134	129-1/4	16	149	3 300#	150	4 300#	151	6 300#	152	8 300#		
3FG12F48N160H4Y	321	480	171-1/4	154	145-1/4	16	169	3 300#	170	4 300#	171	6 300#	172	8 300#		

Diameter (in.): 14

Watt Density (w/sq.in.): 15

Gauger Fuel Gas Heater Dwg. No. FG-300 Dim. (Inches) A, B, B1, C, D, E, F, G >							D=8 E=17		Nozzles Option 11		Nozzles Option 12		Nozzles Option 13		Nozzles Option 14	
Catalog Number	kW	Volt	A	B	C	F	B1	G1(in.)	B1	G2(in.)	B1	G3(in)	B1	G4(in)		
3FG14F54N106H4Y	250	480	117-3/4	100	91-1/4	17	116	3 300#	117	4 300#	118	6 300#	119	8 300#		
3FG14F54N120H4Y	270	480	131-3/4	114	105-1/4	17	130	3 300#	131	4 300#	132	6 300#	133	8 300#		

Fuel Gas Heaters

Type 3FG (6FG)(9FG)(15FG)

300#, 600#, 900#, and 1500# Ratings

Diameter (in.): 14

Watt Density (w/sq.in.): 15

Gauger Fuel Gas Heater Dwg. No. FG-300 Dim. (Inches) A, B, B1, C, D, E, F, G >							D=8 E=17		Nozzles Option 11		Nozzles Option 12		Nozzles Option 13		Nozzles Option 14	
Catalog Number	kW	Volt	A	B	C	F	B1	G1(in.)	B1	G2(in.)	B1	G3(in)	B1	G4(in)		
3FG14F54N140H4Y	315	480	151-3/4	134	129-1/4	17	150	3 300#	151	4 300#	152	6 300#	153	8 300#		
3FG14F54N160H4Y	362	480	171-3/4	154	145-1/4	17	170	3 300#	171	4 300#	172	6 300#	173	8 300#		
3FG14F60N106H4Y	278	480	117-3/4	100	91-1/4	17	116	3 300#	117	4 300#	118	6 300#	119	8 300#		
3FG14F60N120H4Y	300	480	131-3/4	114	105-1/4	17	130	3 300#	131	4 300#	132	6 300#	133	8 300#		
3FG14F60N140H4Y	350	480	151-3/4	134	129-1/4	17	150	3 300#	151	4 300#	152	6 300#	153	8 300#		
3FG14F60N160H4Y	402	480	171-3/4	154	145-1/4	17	170	3 300#	171	4 300#	172	6 300#	173	8 300#		
3FG14F72N106H4Y	334	480	117-3/4	100	91-1/4	17	116	3 300#	117	4 300#	118	6 300#	119	8 300#		
3FG14F72N120H4Y	360	480	131-3/4	114	105-1/4	17	130	3 300#	131	4 300#	132	6 300#	133	8 300#		
3FG14F72N140H4Y	420	480	151-3/4	134	129-1/4	17	150	3 300#	151	4 300#	152	6 300#	153	8 300#		
3FG14F72N160H4Y	482	480	171-3/4	154	145-1/4	17	170	3 300#	171	4 300#	172	6 300#	173	8 300#		

Diameter (in.): 16

Watt Density (w/sq.in.): 15

Gauger Fuel Gas Heater Dwg. No. FG-300 Dim. (Inches) A, B, B1, C, D, E, F, G >							D=8-1/2 E=19		Nozzles Option 11		Nozzles Option 12		Nozzles Option 13		Nozzles Option 14	
Catalog Number	kW	Volt	A	B	C	F	B1	G1(in.)	B1	G2(in.)	B1	G3(in)	B1	G4(in)		
3FG16F84N106H4Y	389	480	120-1/4	97-1/2	89-1/4	19	114	3 300#	115	4 300#	116	6 300#	117	8 300#		
3FG16F84N120H4Y	420	480	134-1/4	111-1/2	103-1/4	19	128	3 300#	129	4 300#	130	6 300#	131	8 300#		
3FG16F84N140H4Y	490	480	154-1/4	131-1/2	123-1/4	19	148	3 300#	149	4 300#	150	6 300#	151	8 300#		
3FG16F84N160H4Y	563	480	174-1/4	151-1/2	143-1/4	19	168	3 300#	169	4 300#	170	6 300#	171	8 300#		

Diameter (in.): 18

Watt Density (w/sq.in.): 15

Gauger Fuel Gas Heater Dwg. No. FG-300 Dim. (Inches) A, B, B1, C, D, E, F, G >							D=9-1/2 E=21		Nozzles Option 11		Nozzles Option 12		Nozzles Option 13		Nozzles Option 14	
Catalog Number	kW	Volt	A	B	C	F	B1	G1(in.)	B1	G2(in.)	B1	G3(in)	B1	G4(in)		
3FG18N108N106H4Y	500	480	122-1/2	96-1/2	86	21	114	3 300#	115	4 300#	116	6 300#	118	8 300#		
3FG18F108N106H4Y	500	480	122-1/2	96-1/2	86	21	114	3 300#	115	4 300#	116	6 300#	118	8 300#		
3FG18N108N120H4Y	540	480	136-1/2	110-1/2	100	21	127	3 300#	128	4 300#	129	6 300#	131	8 300#		
3FG18F108N120H4Y	540	480	136-1/2	110-1/2	100	21	127	3 300#	128	4 300#	129	6 300#	131	8 300#		
3FG18N108N140H4Y	630	480	156-1/2	130-1/2	120	21	147	3 300#	148	4 300#	149	6 300#	151	8 300#		
3FG18F108N140H4Y	630	480	156-1/2	130-1/2	120	21	147	3 300#	148	4 300#	149	6 300#	151	8 300#		
3FG18N108N160H4Y	724	480	176-1/2	150-1/2	140	21	167	3 300#	168	4 300#	169	6 300#	171	8 300#		
3FG18F108N160H4Y	724	480	176-1/2	150-1/2	140	21	167	3 300#	168	4 300#	169	6 300#	171	8 300#		

Diameter (in.): 20

Watt Density (w/sq.in.): 15

Gauger Fuel Gas Heater Dwg. No. FG-300 Dim. (Inches) A, B, B1, C, D, E, F, G >							D=9-3/4 E=23		Nozzles Option 11		Nozzles Option 12		Nozzles Option 13		Nozzles Option 14	
Catalog Number	kW	Volt	A	B	C	F	B1	G1(in.)	B1	G2(in.)	B1	G3(in)	B1	G4(in)		
3FG20F144N106H4Y	667	480	123-1/2	96-1/4	86	23	115	3 300#	116	4 300#	117	6 300#	119	8 300#		
3FG20F144N120H4Y	720	480	137-1/2	110-1/4	100	23	129	3 300#	130	4 300#	131	6 300#	133	8 300#		
3FG20F144N140H4Y	840	480	157-1/2	130-1/4	120	23	149	3 300#	150	4 300#	151	6 300#	153	8 300#		
3FG20F144N160H4Y	965	480	177-1/2	150-1/4	140	23	169	3 300#	170	4 300#	171	6 300#	173	8 300#		

Fuel Gas Heaters
 Type 3FG (6FG)(9FG)(15FG)
 300#, 600#, 900#, and 1500# Ratings

Diameter (in.): 24

Watt Density (w/sq.in.): 15

Gauger Fuel Gas Heater Dwg. No. FG-300 Dim. (Inches) A, B, B1, C, D, E, F, G >							D=10-1/2 E=27		Nozzles Option 11		Nozzles Option 12		Nozzles Option 13		Nozzles Option 14	
Catalog Number	kW	Volt	A	B	C	F	B1	G1(in.)	B1	G2(in.)	B1	G3(in)	B1	G4(in)		
3FG24F192N106H4Y	890	480	126	95-1/2	85	27	116	6 300#	117	8 300#	118	10 300#	120	12 300#		
3FG24F192N120H4Y	960	480	140	109-1/2	99	27	130	6 300#	131	8 300#	132	10 300#	134	12 300#		
3FG24F192N140H4Y	1120	480	160	129-1/2	119	27	150	6 300#	151	8 300#	152	10 300#	154	12 300#		
3FG24F192N160H4Y	1286	480	180	149-1/2	139	27	170	6 300#	171	8 300#	172	10 300#	174	12 300#		

Suction Heater - Type GSH

FUNCTION

The Gaumer "Suction Oil Heater" is designed to be mounted through the side of a large storage tank. What makes the design unique is that it heats only the material being removed from the tank.

APPLICATIONS

12 Watts Per Square Inch

For heating medium weight fuel oil, raw crude oil, viscous fluids which accept heat easily.

8 Watts Per Square Inch

For heating #5 and #6 fuel oil, raw crude oil, residual oils, many viscous materials..

6 Watts Per Square Inch

For heating #6 fuel oil, Bunker C fuel oil, heavy residual oils, etc.

4 Watts Per Square Inch

For heating heavy residual oils, asphalt, many viscous fluids which don't accept heat easily.

STANDARD FEATURES

Vessel Construction

- ASME Coded Chamber
- Corrosion Resistant Finish

Heater Construction

- Moisture Proof Terminal Housing
- Welded Heating Elements
- Welded Terminal Housing
- Welded Spacers

Heating Elements

- Incoloy 800 Sheath Material
- Heavy Wall (.035 in.)
- Large diameter (.475 in.)
- Sealed Terminals

Spacers

- High Temp Alloy Material
- Rugged Design
- "Evenflow" Configuration

Installation

- Installation Manuals Included
- Only Standard Materials Needed in Field

Service

- Wiring Modifiable in Field
- Field Removable with Optional Valve
- Assembly Repairable at Factory

SPECIAL FEATURES

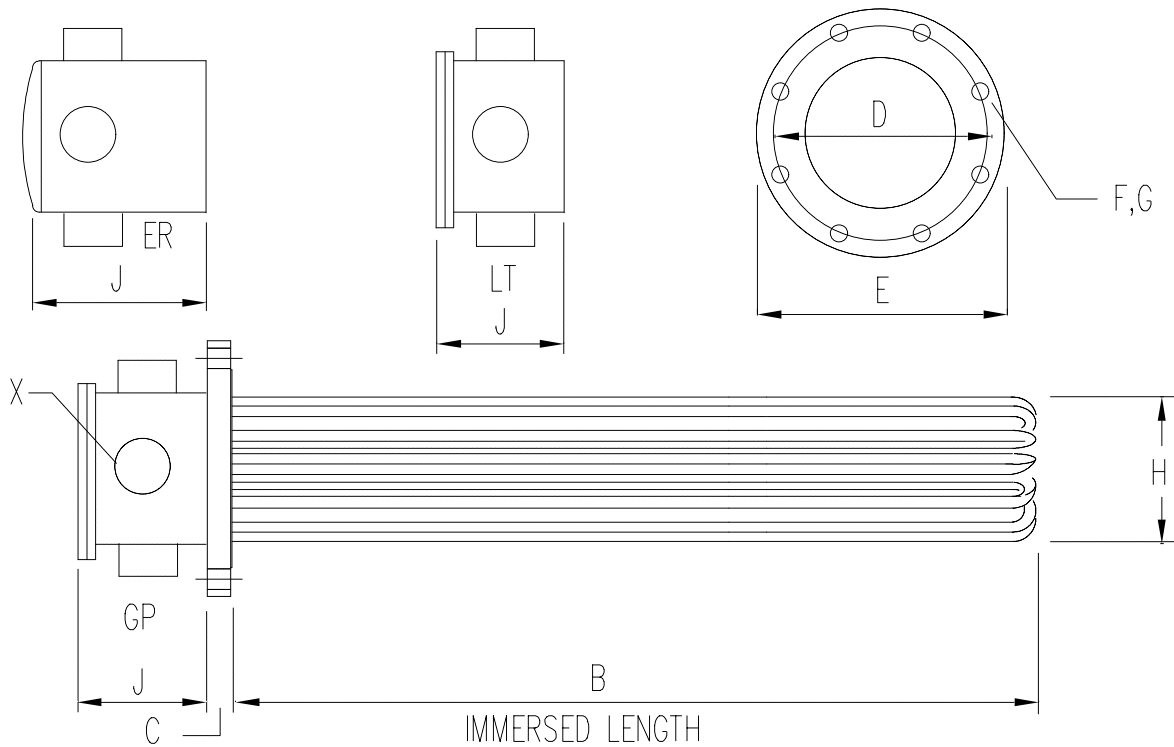
- ER** Explosion Resistant Terminal Enclosure
- LT** Moisture Resistant Terminal Enclosure
- J(K)** Sheath Sensing Thermocouple attached to one element for overheat protection.
- SpHtr** Space Heater Mounted in Terminal Enclosure
- XXValve** Field Mountable Valve for isolation purposes during servicing and flow restriction during operation. Handle mounts through top of tank.

Suction Heater

Type GSH

Gaumer Drawing No. GSH-100 (Dimension Suction Heater Detail)

Process Flange (A)							Heater Flange	Outlet (inches)			Inlet	
A Size	Dimensions (inches)			Hole Size	# Holes	Hole Diam.		Type	Size	Type	Type	Size
(in)	C Thick	D Diam.	E Diam.	F	G	H	(in)					
4	0-15/16	7-1/2	9	3/4	4	2-3/4	3	FNPT	2 1 inch FNP	FNPT	3	4.5
5	0-15/16	8-1/2	10	3/4	8	3-13/16	4	150# A	2 1 inch FNP	FNPT	3	11.5
6	1	9-1/2	11	7/8	8	4-13/16	5	150# A	3 1 inch FNP	FNPT	3	12.5
8	1-1/8	11-3/4	13-1/2	7/8	8	5-3/4	6	150# A	3 1 inch FNP	FNPT	3	13.0
10	1-3/16	14-1/4	16	7/8	8	7-13/16	8	150# A	3 1 inch FNP	150# ANSI	3	16.0
12	1-3/16	17	19	1	12	9-5/8	10	150# A	4 1 inch FNP	150# ANSI	4	11.5
14	1-1/4	17	21	1-1/8	12	11-5/8	12	150# A	4 1 inch FNP	150# ANSI	6	13.0
16	1-3/8	18-3/4	23-1/2	1-1/8	16	12-1/2	14	150# A	6 1 inch FNP	150# ANSI	6	18.5



(Dimension Suction Heater Housing Detail)

Process Flange (A) A Size	Heater Flange	Housing Height (inches)			X - No and Size Conduit Connection		
		J GP:	J ER:	J LT:	GP:	ER:	LT:
4	3	2-5/8	5-1/2	2-5/8	1@1	1@1-1/4	1@1
5	4	5-1/2	6-1/2	5-1/2	3@1-1/4	2@1/2	3@1-1/4
6	5	5-1/2	6-1/2	5-1/2	3@1-1/4	2@1/2	3@1-1/4
8	6	5-1/2	8	5-1/2	3@1-1/4	2@1/2	3@1-1/4
10	8	5-1/2	9	5-1/2	3@1-1/2	3@1-1/2	3@1-1/2
12	10	7	11	7	3@1-1/2	3@1-1/2	3@1-1/2
14	12	7	11	7	3@2	3@2	3@2
16	14	7	11	7	3@2	3@2	3@2

Suction Heater

Type GSH

WattDensity: 12

A Size	B Dim	kW	Volts	Catalog No.
5	88	19.0	240	GSH5F6N88H4D
5	88	19.0	480	GSH5F6N88H4S
5	106	21.0	240	GSH5F6N106H4D
5	106	21.0	480	GSH5F6N106H4S
5	120	23.0	240	GSH5F6N120H4D
5	120	23.0	480	GSH5F6N120H4S
5	140	26.0	240	GSH5F6N140H4D
5	140	26.0	480	GSH5F6N140H4S
5	160	30.0	240	GSH5F6N160H4D
5	160	30.0	480	GSH5F6N160H4S
6	88	38.0	240	GSH6F12N88H4D
6	88	38.0	480	GSH6F12N88H4S
6	106	42.0	240	GSH6F12N106H4D
6	106	42.0	480	GSH6F12N106H4S
6	120	45.0	240	GSH6F12N120H4D
6	120	45.0	480	GSH6F12N120H4S
6	140	53.0	240	GSH6F12N140H4D
6	140	53.0	480	GSH6F12N140H4S
6	160	60.0	240	GSH6F12N160H4D
6	160	60.0	480	GSH6F12N160H4S
8	88	56.0	240	GSH8F18N88H4D
8	88	56.0	480	GSH8F18N88H4S
8	106	63.0	240	GSH8F18N106H4D
8	106	63.0	480	GSH8F18N106H4S
8	120	68.0	240	GSH8F18N120H4D
8	120	68.0	480	GSH8F18N120H4S
8	140	79.0	240	GSH8F18N140H4D
8	140	79.0	480	GSH8F18N140H4S
8	160	90.0	240	GSH8F18N160H4D
8	160	90.0	480	GSH8F18N160H4S
10	88	75.0	240	GSH8F24N88H4D
10	88	75.0	480	GSH8F24N88H4S
10	106	84.0	240	GSH8F24N106H4D
10	106	84.0	480	GSH8F24N106H4S
10	120	90.0	240	GSH8F24N120H4D
10	120	90.0	480	GSH8F24N120H4S
10	140	105.0	240	GSH8F24N140H4D
10	140	105.0	480	GSH8F24N140H4S
10	160	121.0	240	GSH8F24N160H4D
10	160	121.0	480	GSH8F24N160H4S
10	180	135.0	240	GSH8F24N180H4D

WattDensity: 12

A Size	B Dim	kW	Volts	Catalog No.
10	180	135.0	480	GSH8F24N180H4S
12	88	112.0	480	GSH10F36N88H4S
12	106	125.0	480	GSH10F36N106H4S
12	120	135.0	480	GSH10F36N120H4S
12	140	157.0	480	GSH10F36N140H4S
12	160	181.0	480	GSH10F36N160H4S
12	180	203.0	480	GSH10F36N180H4S
14	88	150.0	480	GSH12F48N88H4S
14	106	167.0	480	GSH12F48N106H4S
14	120	180.0	480	GSH12F48N120H4S
14	140	210.0	480	GSH12F48N140H4S
14	160	241.0	480	GSH12F48N160H4S

WattDensity: 8

A Size	B Dim	kW	Volts	Catalog No.
5	88	11.2	480	GSH5F6N88M4Y
5	106	13.0	480	GSH5F6N106M4Y
5	120	16.0	480	GSH5F6N120M4Y
5	140	18.0	480	GSH5F6N140M4Y
5	160	20.0	480	GSH5F6N160M4Y
6	88	22.0	480	GSH6F12N88M4Y
6	106	26.0	480	GSH6F12N106M4Y
6	120	31.0	480	GSH6F12N120M4Y
6	140	35.0	480	GSH6F12N140M4Y
6	160	40.0	480	GSH6F12N160M4Y
8	88	34.0	480	GSH8F18N88M4Y
8	106	38.0	480	GSH8F18N106M4Y
8	120	47.0	480	GSH8F18N120M4Y
8	140	52.0	480	GSH8F18N140M4Y
8	160	60.0	480	GSH8F18N160M4Y
10	88	45.0	480	GSH8F24N88M4Y
10	106	50.0	480	GSH8F24N106M4Y
10	120	62.0	480	GSH8F24N120M4Y
10	140	70.0	480	GSH8F24N140M4Y
10	160	81.0	480	GSH8F24N160M4Y
12	88	67.0	480	GSH10F36N88M4Y
12	106	76.0	480	GSH10F36N106M4Y
12	120	94.0	480	GSH10F36N120M4Y
12	140	105.0	480	GSH10F36N140M4Y
12	160	121.0	480	GSH10F36N160M4Y
14	88	90.0	480	GSH12F48N88M4Y

Suction Heater

Type GSH

WattDensity: 8

A Size	B Dim	kW	Volts	Catalog No.
14	106	100.0	480	GSH12F48N106M4Y
14	120	124.0	480	GSH12F48N120M4Y
14	140	140.0	480	GSH12F48N140M4Y
14	160	161.0	480	GSH12F48N160M4Y

WattDensity: 6

A Size	B Dim	kW	Volts	Catalog No.
5	88	8.4	480	GSH5F6N88M4S
5	106	9.4	480	GSH5F6N106M4S
5	120	11.6	480	GSH5F6N120M4S
5	140	13.0	240	GSH5F6N140M4D
5	140	13.0	480	GSH5F6N140M4S
5	160	15.0	240	GSH5F6N160M4D
5	160	15.0	480	GSH5F6N160M4S
6	88	17.0	480	GSH6F12N88M4S
6	106	19.0	480	GSH6F12N106M4S
6	120	24.0	480	GSH6F12N120M4S
6	140	26.0	240	GSH6F12N140M4D
6	140	26.0	480	GSH6F12N140M4S
6	160	30.0	240	GSH6F12N160M4D
6	160	30.0	480	GSH6F12N160M4S
8	88	25.0	480	GSH8F18N88M4S
8	106	29.0	480	GSH8F18N106M4S
8	120	35.0	480	GSH8F18N120M4S
8	140	40.0	240	GSH8F18N140M4D
8	140	40.0	480	GSH8F18N140M4S
8	160	45.0	240	GSH8F18N160M4D
8	160	45.0	480	GSH8F18N160M4S
10	88	34.0	480	GSH8F24N88M4S
10	106	38.0	480	GSH8F24N106M4S
10	120	47.0	480	GSH8F24N120M4S
10	140	53.0	240	GSH8F24N140M4D
10	140	53.0	480	GSH8F24N140M4S
10	160	60.0	240	GSH8F24N160M4D
10	160	60.0	480	GSH8F24N160M4S
12	88	50.0	480	GSH10F36N88M4S
12	106	57.0	480	GSH10F36N106M4S
12	120	70.0	480	GSH10F36N120M4S
12	140	79.0	480	GSH10F36N140M4S
12	160	91.0	480	GSH10F36N160M4S
14	88	67.0	480	GSH12F48N88M4S

WattDensity: 6

A Size	B Dim	kW	Volts	Catalog No.
14	106	76.0	480	GSH12F48N106M4S
14	120	94.0	480	GSH12F48N120M4S
14	140	105.0	480	GSH12F48N140M4S
14	160	121.0	480	GSH12F48N160M4S

WattDensity: 4

A Size	B Dim	kW	Volts	Catalog No.
5	88	6.3	480	GSH5F6N88H4SY
5	106	6.9	480	GSH5F6N106H4SY
5	120	7.5	480	GSH5F6N120H4SY
5	140	9.0	480	GSH5F6N140H4SY
5	160	10.0	480	GSH5F6N160H4SY
6	88	11.1	240	GSH6F12N88B4SD
6	106	15.0	480	GSH6F12N106H4SY
6	120	15.0	480	GSH6F12N120H4SY
6	140	18.0	480	GSH6F12N140H4SY
6	160	20.0	480	GSH6F12N160H4SY
8	88	19.0	480	GSH8F18N88H4SY
8	106	21.0	480	GSH8F18N106H4SY
8	120	23.0	480	GSH8F18N120H4SY
8	140	26.0	480	GSH8F18N140H4SY
8	160	30.0	480	GSH8F18N160H4SY
10	88	25.0	480	GSH8F24N88H4SY
10	106	28.0	480	GSH8F24N106H4SY
10	120	30.0	480	GSH8F24N120H4SY
10	140	35.0	480	GSH8F24N140H4SY
10	160	40.0	480	GSH8F24N160H4SY
10	180	45.0	480	GSH8F24N180H4SY
12	88	37.0	480	GSH10F36N88H4SY
12	106	42.0	480	GSH10F36N106H4S
12	120	45.0	480	GSH10F36N120H4S
12	140	53.0	480	GSH10F36N140H4S
12	160	60.0	480	GSH10F36N160H4S
12	180	68.0	480	GSH10F36N180H4S
14	106	56.0	480	GSH12F48N106H4S
14	120	60.0	480	GSH12F48N120H4S
14	140	70.0	480	GSH12F48N140H4S
14	160	80.0	480	GSH12F48N160H4S

Strip Heaters

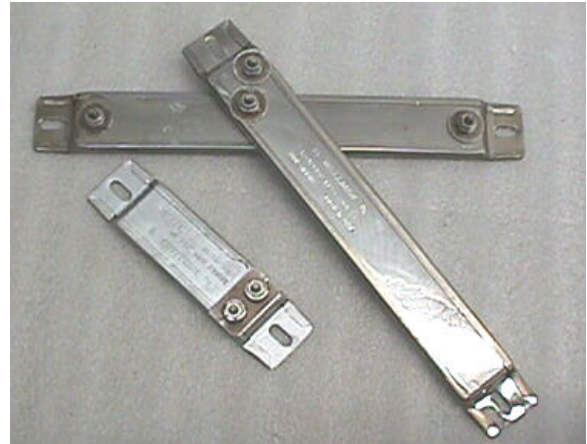
Types GOT, GPT, GS

APPLICATIONS

Both the Chrome Steel Sheath and the Aluminized Steel Sheath Strip Heaters are designed to heat platens, dies, molds, tanks, kettles, and other surfaces as well as for process heating. The Chrome Steel Sheath is recommended in applications with higher required temperatures and where corrosion may be a problem.

STANDARD FEATURES

Slotted mounting tabs allow for expansion, vibration resistant, terminals designed for simplified wiring, excellent design appearance, and ideal for evenly distributing heat over a surface.



ACCESSORIES

Metal Terminal Cover

For Type GOT strip heaters only. The terminal cover protects terminals from splashing, dripping, and grounding. The removable box is equipped with BX cable fitting, and can be installed in the field.

Ceramic Post Terminal Cover

Used in conjunction with Type RHTW insulated wire to protect against electric shock from bare terminals. The cover is used with the No. 10-32 threaded terminal and can be installed in the field.

Secondary Insulator Bushing

The secondary insulator increases the spacing between heater and grounded surface for clearance at higher voltages. Requires (-PH) heater option.

Surface Clamp

Heavy-gauge, nickel plated steel clamp used to mount strip heater to broad surfaces such as tank walls, platens, and dies. Threaded 3/8 in. studs must be first welded, brazed, or threaded into work surface. Heaters should be clamped in place on maximum six (6) inch centers to assure good contact.

HEATER OPTIONS

- PH Oversized mounting holes (17/32X11/16 in.)punched to accept Secondary Insulator Bushings.
- NT Mounting Tabs Removed

- HTW(Igth) HighTemperature Wire Pigtails installed on strip heater prior to shipment. Wire UL Listed and rated for 450 °F service.

Strip Heaters

Type GOT and GS

Type GOT

Alumin

Gaumer Catalog No.	Overall Length	Mountng Centers	Heated Length	Without Tabs	Watts	Volts	Watts/ Sq.In.	Weight (lbs.)
GOT-7101	7-1/4	6-3/8	3-1/4	6	100	120	8.2	0.7
GOT-7151	7-1/4	6-3/8	3-1/4	6	150	120	12.3	0.7
GOT-8151	8	7-1/8	4	6-1/2	150	120	10	0.7
GOT-7152	7-1/4	6-3/8	3-1/4	6	150	240	12.3	0.7
GOT-8152	8	7-1/8	4	6-1/2	150	240	10	0.7
GOT-8171	8	7-1/8	4	6-1/2	175	120	11.7	0.7
GOT-8172	8	7-1/8	4	6-1/2	175	240	11.7	0.7
GOT-12251	11-3/4	10-7/8	7-3/4	10-1/2	250	120	8.6	1.1
GOT-10251	10-1/2	9-5/8	6-1/2	9	250	120	10.3	1.0
GOT-18251	17-3/4	16-7/8	13-3/4	16-3/8	250	120	4.9	1.6
GOT-10252	10-1/2	9-5/8	6-1/2	9	250	240	10.3	1.0
GOT-12252	11-3/4	10-7/8	7-3/4	10-1/2	250	240	8.6	1.1
GOT-14301	14	13-1/8	10	12-1/2	300	120	8	1.3
GOT-14302	14	13-1/8	10	12-1/2	300	240	8	1.3
GOT-15321	15	14-1/8	11	13-3/4	325	120	7.9	1.4
GOT-15322	15	14-1/8	11	13-3/4	325	240	7.9	1.4
GOT-18351	17-3/4	16-7/8	13-3/4	16-3/8	350	120	6.8	1.6
GOT-19351	19-1/2	18-5/8	15-1/2	18	350	120	6	1.8
GOT-19352	19-1/2	18-5/8	15-1/2	18	350	240	6	1.8
GOT-18352	17-3/4	16-7/8	13-3/4	16-3/8	350	240	6.8	1.6
GOT-18371	17-3/4	16-7/8	13-3/4	16-3/8	375	120	7.3	1.6
GOT-18372	17-3/4	16-7/8	13-3/4	16-3/8	375	240	7.3	1.6
GOT-19501	19-1/2	18-5/8	15-1/2	18	500	120	8.6	1.8
GOT-24501	23-1/2	22-5/8	19-1/2	22-1/4	500	120	6.8	2.1
GOT-21501	21	20-1/8	17	19-1/2	500	120	7.8	1.9
GOT-25501	25-1/2	24-5/8	21-1/2	24	500	120	6.2	2.3
GOT-18501	17-3/4	16-7/8	13-3/4	16-3/8	500	120	9.7	1.6
GOT-24502	23-1/2	22-5/8	19-1/2	22-1/4	500	240	6.8	2.1
GOT-21502	21	20-1/8	17	19-1/2	500	240	7.8	1.9
GOT-19502	19-1/2	18-5/8	15-1/2	18	500	240	8.6	1.8
GOT-25502	25-1/2	24-5/8	21-1/2	24	500	240	6.2	2.3
GOT-18502	17-3/4	16-7/8	13-3/4	16-3/8	500	240	9.7	1.6
GOT-26701	26-3/4	25-7/8	22-3/4	25-1/4	700	120	8.2	2.4
GOT-26702	26-3/4	25-7/8	22-3/4	25-1/4	700	240	8.2	2.4
GOT-25751	25-1/2	24-5/8	21-1/2	24	750	120	9.3	2.3
GOT-30751	30-1/4	29-3/8	26-1/4	28	750	120	7.6	2.8
GOT-24751	23-1/2	22-5/8	19-1/2	22-1/4	750	120	10.3	2.1
GOT-33751	33-1/2	32-5/8	29-1/2	31	750	120	6.8	3.0
GOT-25752	25-1/2	24-5/8	21-1/2	24	750	240	9.3	2.3
GOT-24752	23-1/2	22-5/8	19-1/2	22-1/4	750	240	10.3	2.1
GOT-30752	30-1/4	29-3/8	26-1/4	28	750	240	7.6	2.8
GOT-33752	33-1/2	32-5/8	29-1/2	31	750	240	6.8	3.0
GOT-38801	38-1/2	37-5/8	34-1/2	36	800	120	6.2	3.5
GOT-38802	38-1/2	37-5/8	34-1/2	36	800	240	6.2	3.5
GOT-36101	35-3/4	34-7/8	31-3/4	33-5/8	1000	120	8.4	3.3
GOT-38101	38-1/2	37-5/8	34-1/2	36	1000	120	7.7	3.5

Strip Heaters

Type GOT and GS

Type GOT

Alumin

Gaumer Catalog No.	Overall Length	Mountng Centers	Heated Length	Without Tabs	Watts	Volts	Watts/ Sq.in.	Weight (lbs.)
GOT-38102	38-1/2	37-5/8	34-1/2	36	1000	240	7.7	3.5
GOT-36102	35-3/4	34-7/8	31-3/4	33-5/8	1000	240	8.4	3.3
GOT-43121	42-1/4	41-3/8	38-1/4	40	1250	120	8.7	3.8
GOT-43122	42-1/4	41-3/8	38-1/4	40	1250	240	8.7	3.8
GOT-43151	42-1/4	41-3/8	38-1/4	40	1500	120	10.5	3.8
GOT-43152	42-1/4	41-3/8	38-1/4	40	1500	240	10.5	3.8

Chrom

Gaumer Catalog No.	Overall Length	Mountng Centers	Heated Length	Without Tabs	Watts	Volts	Watts/ Sq.in.	Weight (lbs.)
GOT-7011	7-1/4	6-3/8	3-1/4	6	100	120	8.2	0.7
GOT-7021	7-1/4	6-3/8	3-1/4	6	200	120	16.4	0.7
GOT-7022	7-1/4	6-3/8	3-1/4	6	200	240	16.4	0.7
GOT-12021	11-3/4	10-7/8	7-3/4	10-1/2	250	120	8	1.0
GOT-8021	8	7-1/8	4	6-1/2	250	120	16.7	0.7
GOT-12022	11-3/4	10-7/8	7-3/4	10-1/2	250	240	8	1.1
GOT-8022	8	7-1/8	4	6-1/2	250	240	16.7	0.7
GOT-10031	10-1/2	9-5/8	6-1/2	9	350	120	14.4	1.0
GOT-12031	11-3/4	10-7/8	7-3/4	10-1/2	350	120	12	1.1
GOT-10032	10-1/2	9-5/8	6-1/2	9	350	240	14.4	1.0
GOT-12032	11-3/4	10-7/8	7-3/4	10-1/2	350	240	12	1.1
GOT-8041	8	7-1/8	4	6-1/2	400	120	26.7	0.7
GOT-10041	10-1/2	9-5/8	6-1/2	9	400	120	16.4	1.0
GOT-10042	10-1/2	9-5/8	6-1/2	9	400	240	16.4	1.0
GOT-8042	8	7-1/8	4	6-1/2	400	240	26.7	0.7
GOT-14051	14	13-1/8	10	12-1/2	500	120	13.3	1.3
GOT-24051	23-1/2	22-5/8	19-1/2	22-1/4	500	120	6.8	2.1
GOT-15051	15	14-1/8	11	13-3/4	500	120	12.1	1.4
GOT-12051	11-3/4	10-7/8	7-3/4	10-1/2	500	120	17.2	1.1
GOT-19051	19-1/2	18-5/8	15-1/2	18	500	120	8.6	1.8
GOT-18051	17-3/4	16-7/8	13-3/4	16-3/8	500	120	9.7	1.6
GOT-19052	19-1/2	18-5/8	15-1/2	18	500	240	8.6	1.8
GOT-24052	23-1/2	22-5/8	19-1/2	22-1/4	500	240	6.8	2.1
GOT-18052	17-3/4	16-7/8	13-3/4	16-3/8	500	240	9.7	1.6
GOT-15052	15	14-1/8	11	13-3/4	500	240	12.1	1.4
GOT-12052	11-3/4	10-7/8	7-3/4	10-1/2	500	240	17.2	1.1
GOT-24152	23-1/2	22-5/8	19-1/2	22-1/4	500	240	6.9	2.1
GOT-14052	14	13-1/8	10	12-1/2	500	240	13.3	1.3
GOT-24071	23-1/2	22-5/8	19-1/2	22-1/4	750	120	10.3	2.1
GOT-33071	33-1/2	32-5/8	29-1/2	31	750	120	6.8	3.0
GOT-21071	21	20-1/8	17	19-1/2	750	120	11.8	1.9
GOT-25071	25-1/2	24-5/8	21-1/2	24	750	120	9.3	2.3
GOT-18071	17-3/4	16-7/8	13-3/4	16-3/8	750	120	14.5	1.6
GOT-18071	17-3/4	16-7/8	13-3/4	16-3/8	750	120	6.8	1.6
GOT-33072	33-1/2	32-5/8	29-1/2	31	750	240	6.8	3.0
GOT-18072	17-3/4	16-7/8	13-3/4	16-3/8	750	240	14.5	1.6

Strip Heaters

Type GOT and GS

Type GOT

Chrom

Gaumer Catalog No.	Overall Length	Mountng Centers	Heated Length	Without Tabs	Watts	Volts	Watts/ Sq.In.	Weight (lbs.)
GOT-25072	25-1/2	24-5/8	21-1/2	24	750	240	9.3	2.3
GOT-24072	23-1/2	22-5/8	19-1/2	22-1/4	750	240	10.3	2.1
GOT-21072	21	20-1/8	17	19-1/2	750	240	11.8	1.9
GOT-18072	17-3/4	16-7/8	13-3/4	16-3/8	750	240	6.8	1.6
GOT-30072	30-1/4	29-3/8	26-1/4	28	750	240	7.6	2.8
GOT-38011	38-1/2	37-5/8	34-1/2	36	1000	120	7.7	3.5
GOT-26011	26-3/4	25-7/8	22-3/4	25-1/4	1000	120	11.7	2.4
GOT-30011	30-1/4	29-3/8	26-1/4	28	1000	120	10.2	2.8
GOT-18011	17-3/4	16-7/8	13-3/4	16-3/8	1000	120	19.4	1.6
GOT-25011	25-1/2	24-5/8	21-1/2	24	1000	120	12.4	2.3
GOT-24011	23-1/2	22-5/8	19-1/2	22-1/4	1000	120	13.7	2.1
GOT-19011	19-1/2	18-5/8	15-1/2	18	1000	120	17.2	1.8
GOT-24012	23-1/2	22-5/8	19-1/2	22-1/4	1000	240	13.7	2.1
GOT-25012	25-1/2	24-5/8	21-1/2	24	1000	240	12.4	2.3
GOT-18012	17-3/4	16-7/8	13-3/4	16-3/8	1000	240	19.4	1.6
GOT-19012	19-1/2	18-5/8	15-1/2	18	1000	240	17.2	1.8
GOT-30012	30-1/4	29-3/8	26-1/4	28	1000	240	10.2	2.8
GOT-36012	35-3/4	34-7/8	31-3/4	33-3/8	1000	240	8.4	3.3
GOT-38012	38-1/2	37-5/8	34-1/2	36	1000	240	7.7	3.5
GOT-26012	26-3/4	25-7/8	22-3/4	25-1/4	1000	240	11.7	2.4
GOT-43121	42-1/4	41-3/8	38-1/4	40	1250	120	8.7	3.8
GOT-43122	42-1/4	41-3/8	38-1/4	40	1250	240	8.7	3.8
GOT-36011	35-3/4	34-7/8	31-3/4	33-3/8	1500	120	12.6	3.0
GOT-43151	42-1/4	41-3/8	38-1/4	40	1500	120	10.5	3.8
GOT-43152	42-1/4	41-3/8	38-1/4	40	1500	240	10.5	3.8
GOT-36012	35-3/4	34-7/8	31-3/4	33-3/8	1500	240	12.6	3.3

Type GPT

Alumin

Gaumer Catalog No.	Overall Length	Mountng Centers	Heated Length	Without Tabs	Watts	Volts	Watts/ Sq.In.	Weight (lbs.)
GPT-5121	5-1/2	4-5/8	2-1/8	4	125	120	15.7	0.5
GPT-6151	6	5-1/8	2-5/8	4-1/2	150	120	15.2	0.5
GPT-6152	6	5-1/8	2-5/8	4-1/2	150	240	15.2	0.5

Chrom

Gaumer Catalog No.	Overall Length	Mountng Centers	Heated Length	Without Tabs	Watts	Volts	Watts/ Sq.In.	Weight (lbs.)
GPT-5021	5-1/2	4-5/8	2-1/8	4	250	120	31.4	0.5
GPT-6031	6	5-1/8	2-5/8	4-1/2	300	120	30.5	0.5
GPT-6032	6	5-1/8	2-5/8	4-1/2	300	240	30.5	0.5

Strip Heaters

Type GOT and GS

Type GS- Alumin

Gaumer Catalog No.	Overall Length	Mountng Centers	Heated Length	Without Tabs	Watts	Volts	Watts/ Sq.in.	Weight (lbs.)
GS-7101	7-1/4	6-3/8	3-1/4	5-3/4	100	120	8.2	0.7
GS-8151	8	7-1/8	4	6-1/2	150	120	10	0.7
GS-7151	7-1/4	6-3/8	3-1/4	5-3/4	150	120	12.3	0.7
GS-8152	8	7-1/8	4	6-1/2	150	240	10	0.7
GS-9201	9-1/2	8-5/8	5-1/2	8	200	120	9.7	0.9
GS-9202	9-1/2	8-5/8	5-1/2	8	200	240	9.7	0.9
GS-12251	11-3/4	10-7/8	7-3/4	10-1/2	250	120	8.6	1.1
GS-24251	23-1/2	22-5/8	19-1/2	22-1/4	250	120	3.4	2.1
GS-12252	11-3/4	10-7/8	7-3/4	10-1/2	250	240	8.6	1.1
GS-24252	23-1/2	22-5/8	19-1/2	22-1/4	250	240	3.4	2.1
GS-14301	14	13-1/8	10	12-1/2	300	120	8	1.3
GS-14302	14	13-1/8	10	12-1/2	300	240	8	1.3
GS-15321	15	14-1/8	11	13-3/4	325	120	7.9	1.4
GS-15322	15	14-1/8	11	13-3/4	325	240	7.9	1.4
GS-18351	17-3/4	16-7/8	13-3/4	16-3/8	350	120	6.8	1.6
GS-18352	17-3/4	16-7/8	13-3/4	16-3/8	350	240	6.8	1.6
GS-18371	17-3/4	16-7/8	13-3/4	16-3/8	375	120	7.3	1.6
GS-18372	17-3/4	16-7/8	13-3/4	16-3/8	375	240	7.3	1.6
GS-24501	23-1/2	22-5/8	19-1/2	22-1/4	500	120	6.8	2.1
GS-19501	19-1/2	18-5/8	15-1/2	18	500	120	8.6	1.8
GS-20501	21	20-1/8	17	19-1/2	500	120	7.8	1.9
GS-18501	17-3/4	16-7/8	13-3/4	16-3/8	500	120	9.7	1.6
GS-18502	17-3/4	16-7/8	13-3/4	16-3/8	500	240	9.7	1.6
GS-20502	21	20-1/8	17	19-1/2	500	240	7.8	1.9
GS-24502	23-1/2	22-5/8	19-1/2	22-1/4	500	240	6.8	2.1
GS-19502	19-1/2	18-5/8	15-1/2	18	500	240	8.6	1.8
GS-26701	26-3/4	25-7/8	22-3/4	25-1/4	700	120	8.2	2.4
GS-26702	26-3/4	25-7/8	22-3/4	25-1/4	700	240	8.2	2.4
GS-30751	30-1/4	29-3/8	26-3/4	28	750	120	7.6	2.8
GS-33751	33-1/2	32-5/8	29-1/2	31	750	120	6.8	3.0
GS-25751	25-1/2	24-5/8	21-1/2	24	750	120	9.3	2.3
GS-25752	25-1/2	24-5/8	21-1/2	24	750	240	9.3	2.3
GS-33752	33-1/2	32-5/8	29-1/2	31	750	240	6.8	3.0
GS-19072	19-1/2	18-5/8	15-1/2	18	750	240	12.9	1.8
GS-30752	30-1/4	29-3/8	26-3/4	28	750	240	7.6	2.8
GS-36101	35-3/4	34-7/8	31-3/4	33-3/8	1000	120	8.4	3.3
GS-38101	38-1/2	37-5/8	34-1/2	36	1000	120	7.7	3.5
GS-36102	35-3/4	34-7/8	31-3/4	33-3/8	1000	240	8.4	3.3
GS-38102	38-1/2	37-5/8	34-1/2	36	1000	240	7.7	3.5
GS-43121	42-1/4	41-3/8	38-1/4	40	1250	120	8.7	3.8
GS-43122	42-1/4	41-3/8	38-1/4	40	1250	240	8.7	3.8

Chrom

Gaumer Catalog No.	Overall Length	Mountng Centers	Heated Length	Without Tabs	Watts	Volts	Watts/ Sq.in.	Weight (lbs.)
GS-7011	7-1/4	6-3/8	3-1/4	5-3/4	100	120	8.2	0.7

Strip Heaters

Type GOT and GS

Type GS- Chrom

Gaumer Catalog No.	Overall Length	Mountng Centers	Heated Length	Without Tabs	Watts	Volts	Watts/ Sq.In.	Weight (lbs.)
GS-12012	11-3/4	10-7/8	7-3/4	10-1/2	100	240	3.4	1.1
GS-7021	7-1/4	6-3/8	3-1/4	5-3/4	200	120	16.4	0.7
GS-8021	8	7-1/8	4	6-1/2	250	120	16.7	0.7
GS-12021	11-3/4	10-7/8	7-3/4	10-1/2	250	120	8.6	1.1
GS-8022	8	7-1/8	4	6-1/2	250	240	16.7	0.7
GS-12022	11-3/4	10-7/8	7-3/4	10-1/2	250	240	8.6	1.1
GS-9031	9-1/2	8-5/8	5-1/2	8	300	120	14.5	0.9
GS-9032	9-1/2	8-5/8	5-1/2	8	300	240	14.5	0.9
GS-12031	11-3/4	10-7/8	7-3/4	10-1/2	350	120	12	1.1
GS-12032	11-3/4	10-7/8	7-3/4	10-1/2	350	240	12	1.1
GS-20051	21	20-1/8	17	19-1/2	500	120	7.8	1.9
GS-14051	14	13-1/8	10	12-1/2	500	120	13.3	1.3
GS-24051	23-1/2	22-5/8	19-1/2	22-1/4	500	120	6.8	2.1
GS-19051	19-1/2	18-5/8	15-1/2	18	500	120	8.6	1.8
GS-12051	11-3/4	10-7/8	7-3/4	10-1/2	500	120	17.2	1.1
GS-15051	15	14-1/8	11	13-3/4	500	120	12.1	1.4
GS-18051	17-3/4	16-7/8	13-3/4	16-3/8	500	120	9.7	1.6
GS-19052	19-1/2	18-5/8	15-1/2	18	500	240	8.6	1.8
GS-18052	17-3/4	16-7/8	13-3/4	16-3/8	500	240	9.7	1.6
GS-14052	14	13-1/8	10	12-1/2	500	240	13.3	1.3
GS-20052	21	20-1/8	17	19-1/2	500	240	7.8	1.9
GS-24052	23-1/2	22-5/8	19-1/2	22-1/4	500	240	6.8	2.1
GS-15052	15	14-1/8	11	13-3/4	500	240	12.1	1.4
GS-12052	11-3/4	10-7/8	7-3/4	10-1/2	500	240	17.2	1.1
GS-19071	19-1/2	18-5/8	15-1/2	18	750	120	12.9	1.8
GS-26071	26-3/4	25-7/8	22-3/4	25-1/4	750	120	8.8	2.4
GS-30071	30-1/4	29-3/8	26-3/4	28	750	120	7.6	2.8
GS-18071	17-3/4	16-7/8	13-3/4	16-3/8	750	120	14.5	1.6
GS-24071	23-1/2	22-5/8	19-1/2	22-1/4	750	120	10.3	2.1
GS-24072	23-1/2	22-5/8	19-1/2	22-1/4	750	240	10.3	2.1
GS-26072	26-3/4	25-7/8	22-3/4	25-1/4	750	240	8.8	2.4
GS-18072	17-3/4	16-7/8	13-3/4	16-3/8	750	240	14.5	1.6
GS-30072	30-1/4	29-3/8	26-3/4	28	750	240	7.6	2.8
GS-36011	35-3/4	34-7/8	31-3/4	33-3/8	1000	120	8.4	3.3
GS-25011	25-1/2	24-5/8	21-1/2	24	1000	120	12.4	2.3
GS-19011	19-1/2	18-5/8	15-1/2	18	1000	120	17.2	1.8
GS-38011	38-1/2	37-5/8	34-1/2	36	1000	120	7.7	3.5
GS-24011	23-1/2	22-5/8	19-1/2	22-1/4	1000	120	13.7	2.1
GS-33011	33-1/2	32-5/8	29-1/2	31	1000	120	9	3.0
GS-18011	17-3/4	16-7/8	13-3/4	16-3/8	1000	120	19.4	1.6
GS-38012	38-1/2	37-5/8	34-1/2	36	1000	240	7.7	3.5
GS-36012	35-3/4	34-7/8	31-3/4	33-3/8	1000	240	8.4	3.3
GS-33012	33-1/2	32-5/8	29-1/2	31	1000	240	9	3.0
GS-25012	25-1/2	24-5/8	21-1/2	24	1000	240	12.4	2.3
GS-24012	23-1/2	22-5/8	19-1/2	22-1/4	1000	240	13.7	2.1
GS-19012	19-1/2	18-5/8	15-1/2	18	1000	240	17.2	1.8

Strip Heaters

Type GOT and GS

Type GS- Chrom

Gaumer Catalog No.	Overall Length	Mountng Centers	Heated Length	Without Tabs	Watts	Volts	Watts/ Sq.In.	Weight (lbs.)
GS-18012	17-3/4	16-7/8	13-3/4	16-3/8	1000	240	19.4	1.6
GS-24151	23-1/2	22-5/8	19-1/2	22-1/4	1500	120	20.5	2.1
GS-43011	42-1/4	41-3/8	38-1/4	40	1500	120	10.5	3.8
GS-43012	42-1/4	41-3/8	38-1/4	40	1500	240	10.5	3.8
GS-24152	23-1/2	22-5/8	19-1/2	22-1/4	1500	240	20.5	2.1

Finned Strip Heaters

Type GOTF

APPLICATIONS

The Chrome Steel Sheath Finned Strip Heater is commonly found in various air heating applications such as in convection ovens, forced air ducts, dryers, valve and instrument enclosures, and resistor banks.

STANDARD FEATURES

Rugged vibration resistant construction, slotted mounting tabs which allow for expansion, excellent design appearance, and terminals designed for simplified wiring. Type RHTW wire and type RH ring terminals are generally well suited for use with the finned strip heaters.



ACCESSORIES

Metal Terminal Cover

For Type GOT strip heaters only. The terminal cover protects terminals from splashing, dripping, and grounding. The removable box is equipped with BX cable fitting, and can be installed in the field.

Ceramic Post Terminal Cover

Used in conjunction with Type HTW insulated wire to protect against electric shock from bare terminals. The cover is used with the No. 10-32 threaded terminal and can be installed in the field.

Secondary Insulator Bushing

The secondary insulator increases the spacing between heater and grounded surface for clearance at higher voltages. Requires (-PH) heater option.

HEATER OPTIONS

- PH Oversized mounting holes (17/32X11/16 in.)punched to accept Secondary Insulator Bushings.
- NT Mounting Tabs Removed

- HTW(Igth) HighTemperature Wire Pigtails installed on strip heater prior to shipment. Wire UL Listed and rated for 450° F service.

Finned Strip Heaters

Type GOTF

Chrome Steel

Gaumer Catalog Number	Overall Length	Mountng Centers	Heated Length	Watts	Volts	Watts/Sq.In.	Weight (lbs.)
GOTF-7011	7-1/4	6-3/8	3-1/4	100	120	8.2	1.2
GOTF-7021	7-1/4	6-3/8	3-1/4	200	120	16.4	1.2
GOTF-7022	7-1/4	6-3/8	3-1/4	200	240	16.4	1.2
GOTF-8021	8	7-1/8	4	250	120	16.7	1.3
GOTF-5021	5-1/2	4-5/8	2-1/8	250	120	31.4	0.9
GOTF-8022	8	7-1/8	4	250	240	16.7	1.3
GOTF-6031	6	5-1/8	2-5/8	300	120	30.5	1.0
GOTF-6032	6	5-1/8	2-5/8	300	240	30.5	1.0
GOTF-10031	10-1/2	9-5/8	6-1/2	350	120	14.4	1.8
GOTF-18031	17-3/4	16-7/8	13-3/4	350	120	6.8	3.0
GOTF-12031	11-3/4	10-7/8	7-3/4	350	120	12	2.0
GOTF-18032	17-3/4	16-7/8	13-3/4	350	240	6.8	3.0
GOTF-12032	11-3/4	10-7/8	7-3/4	350	240	12	2.0
GOTF-10032	10-1/2	9-5/8	6-1/2	350	240	14.4	1.8
GOTF-10041	10-1/2	9-5/8	6-1/2	400	120	16.4	1.8
GOTF-8041	8	7-1/8	4	400	120	26.7	1.3
GOTF-10042	10-1/2	9-5/8	6-1/2	400	240	16.4	1.8
GOTF-8042	8	7-1/8	4	400	240	26.7	1.3
GOTF-19051	19-1/2	18-5/8	15-1/2	500	120	8.6	3.3
GOTF-14051	14	13-1/8	10	500	120	13.3	2.3
GOTF-15051	15	14-1/8	11	500	120	12.1	2.5
GOTF-24051	23-1/2	22-5/8	19-1/2	500	120	6.8	3.9
GOTF-18051	17-3/4	16-7/8	13-3/4	500	120	9.7	3.0
GOTF-12051	11-3/4	10-7/8	7-3/4	500	120	17.2	2.0
GOTF-19052	19-1/2	18-5/8	15-1/2	500	240	8.6	3.3
GOTF-12052	11-3/4	10-7/8	7-3/4	500	240	17.2	2.0
GOTF-24052	23-1/2	22-5/8	19-1/2	500	240	6.9	3.9
GOTF-15052	15	14-1/8	11	500	240	12.1	2.5
GOTF-14052	14	13-1/8	10	500	240	13.3	2.3
GOTF-18052	17-3/4	16-7/8	13-3/4	500	240	9.7	3.0
GOTF-24071	23-1/2	22-5/8	19-1/2	750	120	10.3	3.9
GOTF-18071	17-3/4	16-7/8	13-3/4	750	120	14.5	3.0
GOTF-12701	11-3/4	10-7/8	7-3/4	750	120	25.8	2.0
GOTF-25071	25-1/2	24-5/8	21-1/2	750	120	9.3	4.3
GOTF-33071	33-1/2	32-5/8	29-1/2	750	120	6.8	5.6
GOTF-21071	21	20-1/8	17	750	120	11.8	3.5
GOTF-18072	17-3/4	16-7/8	13-3/4	750	240	14.5	3.0
GOTF-12702	11-3/4	10-7/8	7-3/4	750	240	25.8	2.0
GOTF-33072	33-1/2	32-5/8	29-1/2	750	240	6.8	5.6
GOTF-21072	21	20-1/8	17	750	240	11.8	3.5
GOTF-24072	23-1/2	22-5/8	19-1/2	750	240	10.3	3.9
GOTF-25072	25-1/2	24-5/8	21-1/2	750	240	9.3	4.3
GOTF-30072	30-1/4	29-3/8	26-1/4	750	240	7.6	5.0
GOTF-19011	19-1/2	18-5/8	15-1/2	1000	120	17.2	3.3
GOTF-38011	38-1/2	37-5/8	34-1/2	1000	120	7.7	6.4

Finned Strip Heaters

Type GOTF

Chrome Steel

Gaumer Catalog Number	Overall Length	Mountng Centers	Heated Length	Watts	Volts	Watts/Sq.In.	Weight (lbs.)
GOTF-24011	23-1/2	22-5/8	19-1/2	1000	120	13.7	3.9
GOTF-25011	25-1/2	24-5/8	21-1/2	1000	120	12.4	4.3
GOTF-26011	26-3/4	25-7/8	22-3/4	1000	120	11.7	4.5
GOTF-18011	17-3/4	16-7/8	13-3/4	1000	120	19.4	3.0
GOTF-30011	30-1/4	29-3/8	26-1/4	1000	120	10.2	5.0
GOTF-30012	30-1/4	29-3/8	26-1/4	1000	240	10.2	5.0
GOTF-38012	38-1/2	37-5/8	34-1/2	1000	240	7.7	6.4
GOTF-19012	19-1/2	18-5/8	15-1/2	1000	240	17.2	3.3
GOTF-36012	35-3/4	34-7/8	31-3/4	1000	240	8.4	6.0
GOTF-26012	26-3/4	25-7/8	22-3/4	1000	240	11.7	4.5
GOTF-25012	25-1/2	24-5/8	21-1/2	1000	240	12.4	4.3
GOTF-24012	23-1/2	22-5/8	19-1/2	1000	240	13.7	3.9
GOTF-18012	17-3/4	16-7/8	13-3/4	1000	240	19.4	3.0
GOTF-180154	17-3/4	16-7/8	13-3/4	1000	480	19.4	3.0
GOTF-24014	23-1/2	22-5/8	19-1/2	1000	480	13.7	3.9
GOTF-430121	42-1/4	41-3/8	38-1/4	1250	120	8.7	7.0
GOTF-430122	42-1/4	41-3/8	38-1/4	1250	240	8.7	7.0
GOTF-430151	42-1/4	41-3/8	38-1/4	1500	120	10.5	7.0
GOTF-360151	35-3/4	34-7/8	31-3/4	1500	120	12.6	6.0
GOTF-360152	35-3/4	34-7/8	31-3/4	1500	240	12.6	6.0
GOTF-430152	42-1/4	41-3/8	38-1/4	1500	240	10.5	7.0
GOTF-25	25-1/2	22-5/8	19-1/2	2000	240	27.4	4.0

GAUMER PROCESS

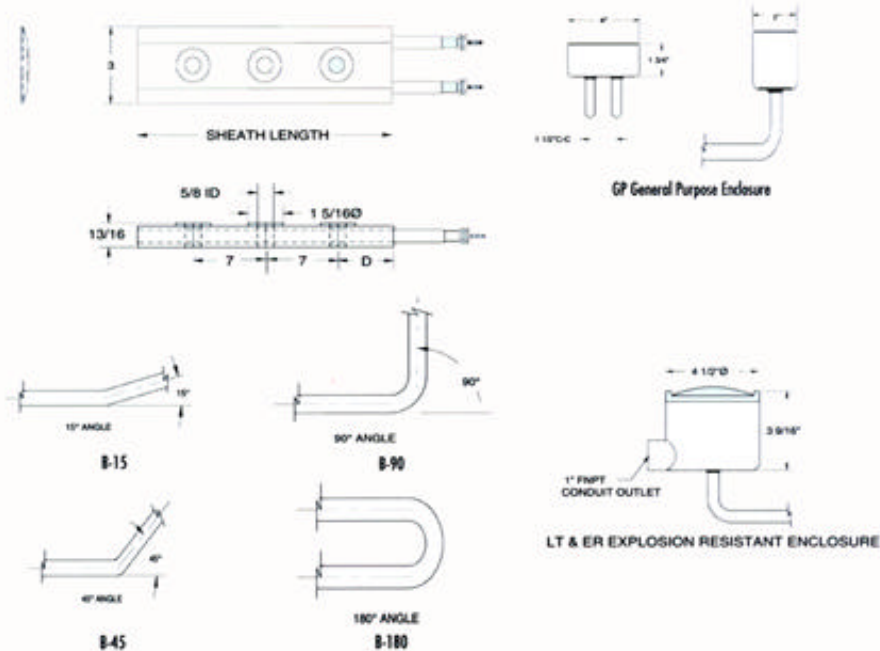
HEATERS
SYSTEMS
CONTROLS

Hi-Temp Strip Heaters

Type SUN (3" wide)

APPLICATIONS

The SUN strip heater is designed for rugged duty at high temperatures (1400°F maximum sheath temperature) where moisture resistant construction is desired, or where the preferred power is 480 Volt. The SUN heater may be used to heat platens, dies, molds, tanks, kettles, and many other surfaces.



STANDARD FEATURES

Incoloy sheath tubular is tightly pressed against a heavy stainless steel plate and completely enclosed in a stainless steel shroud. Holes are provided for field mounting on 3/8 inch diameter studs assuring good heat transfer to the process. Mounting holes are on seven (7) inch centers.

ENCLOSURE OPTIONS

- GP General Purpose Enclosure
- LT Moisture Resistant Enclosure
- ER Explosion Resistant Enclosure

OTHER OPTIONS

- B15 Terminals bent up at 15° angle
- B45 Terminals bent up at 45° angle
- B90 Terminals bent up at 90° angle
- B180 Terminals bent up at 180° angle
- BXxx Terminals bent up (or down) at a non-standard angle
- J(-K) Integrally mounted ungrounded sensing thermocouple
- Xcsc Assembly is bent to a specified cross-section radius. Minimum cross-section radius is 4-1/4 inches.

Note: Dim "D" is length (inches) from each heater end to centerline of first hole.

11/19/2001

Page 1 of 3

GAUMER COMPANY, INC. · 13616 Hempstead Road · Houston · Texas · 77040 · Ph: 713.460.5200
Ph: 800.460.5200 · Fx: 713.460.1444 · Fx: 800.460.5700 · www.gaumer.com · sales@gaumer.com

Hi-Temp Strip Heaters

Type SUN (3 ")

Catalog Number	Sheath Length	Total Length	Watts	Volts	W/sq.in 1Side	W/sq.in Total	No.Mtg. Holes	Dim "D" SeeNote	Weight
SUN14M1	11	15.5	750	120	23	11	2	2	3
SUN14M2	11	15.5	750	240	23	11	2	2	3
SUN14M4	11	15.5	750	480	23	11	2	2	3
SUN14H2	11	15.5	375	120	12	6	2	2	3
SUN14H4	11	15.5	375	240	12	6	2	2	3
SUN19M1	16	20.5	1000	120	23	11	3	1	3
SUN19M2	16	20.5	1000	240	23	11	3	1	3
SUN19M4	16	20.5	1000	480	23	11	3	1	3
SUN19B2	16	20.5	670	120	15	7	3	1	3
SUN19B4	16	20.5	670	240	15	7	3	1	3
SUN19H2	16	20.5	500	120	12	6	3	1	3
SUN19H4	16	20.5	500	240	12	6	3	1	3
SUN21M1	18	22.5	1250	120	23	11	3	2	4
SUN21M2	18	22.5	1250	240	23	11	3	2	4
SUN21M4	18	22.5	1250	480	23	11	3	2	4
SUN21B2	18	22.5	800	120	15	7	3	2	4
SUN21B4	18	22.5	800	240	15	7	3	2	4
SUN21H2	18	22.5	625	120	12	6	3	2	4
SUN21H4	18	22.5	625	240	12	6	3	2	4
SUN25M1	23	27.5	1500	120	23	11	4	1	5
SUN25M2	23	27.5	1500	240	23	11	4	1	5
SUN25M4	23	27.5	1500	480	23	11	4	1	5
SUN25B2	23	27.5	1000	120	15	7	4	1	5
SUN25B4	23	27.5	1000	240	15	7	4	1	5
SUN25H2	23	27.5	750	120	12	6	4	1	5
SUN25H4	23	27.5	750	240	12	6	4	1	5
SUN34M1	31	35.5	2000	120	23	11	5	1-1/2	6
SUN34M2	31	35.5	2000	240	23	11	5	1-1/2	6
SUN34M4	31	35.5	2000	480	23	11	5	1-1/2	6
SUN34B2	31	35.5	1250	120	15	7	5	1-1/2	6
SUN34B4	31	35.5	1250	240	15	7	5	1-1/2	6
SUN34H2	31	35.5	1000	120	12	6	5	1-1/2	6
SUN34H4	31	35.5	1000	240	12	6	5	1-1/2	6
SUN41M2	38	42.5	2500	240	23	11	6	1-1/2	7
SUN41M4	38	42.5	2500	480	23	11	6	1-1/2	7
SUN41H2	38	42.5	1250	120	12	6	6	1-1/2	7
SUN41H4	38	42.5	1250	240	12	6	6	1-1/2	7
SUN43B2	40	44.5	1700	120	15	7	6	2-1/2	8
SUN43B4	40	44.5	1700	240	15	7	6	2-1/2	8
SUN49M2	46	51.5	3000	240	23	11	7	2	9
SUN49M4	46	51.5	3000	480	23	11	7	2	9
SUN49H2	46	51.5	1500	120	12	6	7	2	9
SUN49H4	46	51.5	1500	240	12	6	7	2	9
SUN52M2	47	53.5	3300	240	23	11	7	2-1/2	9
SUN52M4	47	53.5	3300	480	23	11	7	2-1/2	9
SUN52B2	49	53.5	2100	120	15	7	7	2-1/2	9
SUN52B4	49	53.5	2100	240	15	7	7	2-1/2	9
SUN61B4	56	62.5	2500	240	15	7	8	3-1/2	10

Note: Dim "D" is length (inches) from each heater end to centerline of first hole.

Hi-Temp Strip Heaters

Type SUN (3 ")

Catalog Number	Sheath Length	Total Length	Watts	Volts	W/sq.in 1Side	W/sq.in Total	No.Mtg. Holes	Dim "D" SeeNote	Weight
SUN65M2	60	66.5	4200	240	23	11	9	2	11
SUN65M4	60	66.5	4200	480	23	11	9	2	11
SUN65H4	60	66.5	2100	240	12	6	9	2	11
SUN78M2	73	79.5	5000	240	23	11	11	1-1/2	13
SUN78M4	73	79.5	5000	480	23	11	11	1-1/2	13
SUN78H4	73	79.5	2800	240	12	6	11	1-1/2	13
SUN88M4	84	99.5	5600	480	23	11	12	3-1/2	17
SUN88B4	84	99.5	3700	240	15	7	12	3-1/2	17
SUN88H4	84	99.5	3120	240	12	6	12	3-1/2	17
SUN100M4	95	101.5	6300	480	23	11	14	2	17
SUN100B4	95	101.5	4200	240	15	7	14	2	17
SUN100H4	95	101.5	3470	240	12	6	14	2	17

Note: Dim "D" is length (inches) from each heater end to centerline of first hole.

11/19/2001

Page 3 of 3

**GAUMER COMPANY, INC. · 13616 Hempstead Road · Houston · Texas · 77040 · Ph: 713.460.5200
Ph: 800.460.5200 · Fx: 713.460.1444 · Fx: 800.460.5700 · www.gaumer.com · sales@gaumer.com**

Hi-Temp Strip Heaters Type MSUN (1-1/2")

APPLICATIONS

The MSUN strip heater is designed for rugged duty at high temperatures (1400°F maximum sheath temperature). Also where moisture resistant construction is desired. The MSUN heater may be used to heat platens, dies, molds, tanks, kettles, pipes, and many other surfaces.



STANDARD FEATURES

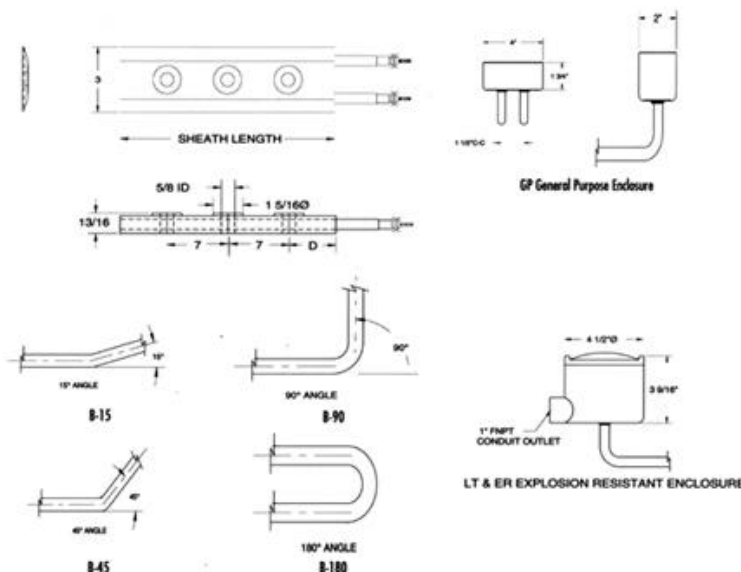
Incoloy sheath tubular is tightly pressed against a heavy stainless steel plate and completely enclosed in a stainless steel shroud. Holes are provided for field mounting on 3/8 inch diameter studs assuring good heat transfer to the process. Mounting holes are on six (6) inch centers.

ENCLOSURE OPTIONS

- GP General Purpose Enclosure
- LT Moisture Resistant Enclosure
- ER Explosion Resistant Enclosure

OTHER OPTIONS

- B15 Terminals bent up at 15° angle
- B45 Terminals bent up at 45° angle
- B90 Terminals bent up at 90° angle
- B180 Terminals bent up at 180° angle
- BXxx Terminals bent up (or down) at a non-standard angle
- J(-K) Integrally mounted ungrounded sensing thermocouple
- Xcsc Assembly is bent to a specified cross-section radius. Minimum cross-section radius is 4-1/4 inches



Note: Dim "D" is length (inches) from each heater end to centerline of first hole.

Hi-Temp Strip Heaters

Type MSUN (1-1/2 ")

ItemID	Catalog Number	Watts	Volts	W/SqIn 1Side	W/SqIn Total	Dim"D" SeeNote	Sheath Lgth	Total Lgth	Qty Holes	Weight (lbs.)
12362	MSUN12-2-450D	450	120	25	9	3	12	12	2	1.0
12346	MSUN12-2-450	450	240	25	9	3	12	12	2	1.0
12385	MSUN12-2-300D	300	120	17	6	3	12	12	2	1.0
12369	MSUN12-2-300	300	240	17	6	3	12	12	2	1.0
12363	MSUN18-2-750D	750	120	28	10	3	18	18	3	1.0
12347	MSUN18-2-750	750	240	28	10	3	18	18	3	1.0
12386	MSUN18-2-475D	475	120	18	6	3	18	18	3	1.0
12370	MSUN18-2-475	475	240	18	6	3	18	18	3	1.0
12389	MSUN36-2-1000D	1000	120	19	7	3	36	24	6	2.0
12348	MSUN24-2-1000	1000	240	19	7	3	36	24	6	2.0
12387	MSUN24-2-650D	650	120	18	6	3	24	24	4	2.0
12371	MSUN24-2-650	650	240	18	6	3	24	24	4	2.0
12365	MSUN30-2-1250D	1250	120	28	10	3	30	30	5	2.0
12349	MSUN30-2-1250	1250	240	28	10	3	30	30	5	2.0
12388	MSUN30-2-825D	825	120	18	6	3	30	30	5	2.0
12372	MSUN30-2-825	825	240	18	6	3	30	30	5	2.0
12392	MSUN54-2-1500D	1500	120	19	7	3	54	36	9	3.0
12350	MSUN36-2-1500	1500	240	19	7	3	54	36	9	2.0
12389	MSUN36-2-1000D	1000	120	19	7	3	36	36	6	2.0
12373	MSUN36-2-1000	1000	240	19	7	3	36	36	6	2.0
12367	MSUN42-2-1750D	1750	120	28	10	3	42	42	7	3.0
12351	MSUN42-2-1750	1750	240	28	10	3	42	42	7	3.0
12390	MSUN42-2-1200D	1200	120	19	7	3	42	42	7	3.0
12374	MSUN42-2-1200	1200	240	19	7	3	42	42	7	3.0
12368	MSUN48-2-2000D	2000	120	28	10	3	48	48	8	3.0
12352	MSUN48-2-2000	2000	240	28	10	3	48	48	8	3.0
12391	MSUN48-2-1375D	1375	120	19	7	3	48	48	8	3.0
12375	MSUN48-2-1375	1375	240	19	7	3	48	48	8	3.0
12353	MSUN54-2-2250	2250	240	28	10	3	54	54	9	3.0
12392	MSUN54-2-1500D	1500	120	19	7	3	54	54	9	3.0
12376	MSUN54-2-1500	1500	240	19	7	3	54	54	9	3.0
12354	MSUN60-2-2500	2500	240	19	7	3	84	60	14	4.0
12393	MSUN60-2-1725D	1725	120	19	7	3	60	60	10	4.0
12377	MSUN60-2-1725	1725	240	19	7	3	60	60	10	4.0
12355	MSUN66-2-2750	2750	240	28	10	3	66	66	11	4.0
12394	MSUN66-2-1900D	1900	120	19	7	3	66	66	11	4.0
12378	MSUN66-2-1900	1900	240	19	7	3	66	66	11	4.0
12356	MSUN72-2-3000	3000	240	28	10	3	72	72	12	4.0
12395	MSUN72-2-2100D	2100	120	19	7	3	72	72	12	4.0
12379	MSUN72-2-2100	2100	240	19	7	3	72	72	12	4.0
12357	MSUN78-2-3500	3500	240	29	10	3	78	78	13	5.0
12396	MSUN78-2-2325D	2325	120	19	7	3	78	78	13	5.0
12380	MSUN78-2-2325	2325	240	19	7	1	80	78	14	5.0
12358	MSUN84-2-3750	3750	240	29	10	3	84	84	14	5.0
12397	MSUN84-2-2500D	2500	120	19	7	3	84	84	14	5.0

Note: Dim "D" is length (inches) from each heater end to centerline of first hole.

Hi-Temp Strip Heaters

Type MSUN (1-1/2 ")

ItemID	Catalog Number	Watts	Volts	W/SqIn 1Side	W/SqIn Total	Dim"D" SeeNote	Sheath Lgth	Total Lgth	Qty Holes	Weight (lbs.)
12381	MSUN84-2-2500	2500	240	19	7	3	84	84	14	5.0
12359	MSUN90-2-4000	4000	240	29	10	3	90	90	15	6.0
12398	MSUN90-2-2700D	2700	120	20	7	3	90	90	15	6.0
12382	MSUN90-2-2700	2700	240	20	7	3	90	90	15	6.0
12360	MSUN96-2-4250	4250	240	29	10	3	96	96	16	10.0
12399	MSUN96-2-2875D	2875	120	20	7	3	96	96	16	10.0
12383	MSUN96-2-2875	2875	240	20	7	3	96	96	16	10.0
12400	MSUN104-2-3050	38000	120	20	7	3	102	104	17	10.0
12361	MSUN104-2-4500	4500	240	29	10	3	102	104	17	10.0
12384	MSUN104-2-3050	3000	240	20	7	3	102	104	17	10.0

Note: Dim "D" is length (inches) from each heater end to centerline of first hole.

11/19/2001

Page 3 of 3

**GAUMER COMPANY, INC. · 13616 Hempstead Road · Houston · Texas · 77040 · Ph: 713.460.5200
Ph: 800.460.5200 · Fx: 713.460.1444 · Fx: 800.460.5700 · www.gaumer.com · sales@gaumer.com**

Strip Heaters

Type BAR (3 " wide)

APPLICATIONS

The BAR strip heater is designed for rugged duty temperatures to 600°F. where moisture resistant construction is desired, or where the preferred power is 480 Volt. The BAR heater may be used to heat platens, dies, molds, tanks, kettles, pipes, and many other surfaces where direct contact between heater and surface to be heated is possible.



STANDARD FEATURES

Incoloy sheath tubular is tightly sandwiched between two (2) formed aluminum shoes. Holes are provided for field mounting on 3/8 inch diameter studs assuring good heat transfer to the process. Mounting holes are on seven (7) inch centers.

OTHER OPTIONS

- B15 Terminals bent up at 15° angle
- B45 Terminals bent up at 45° angle
- B90 Terminals bent up at 90° angle
- B180 Terminals bent up at 180° angle
- BXxx Terminals bent up (or down) at a non-standard angle
- J(-K) Integrally mounted ungrounded sensing thermocouple, terminated inside enclosure.
- HXxx Hole through middle of strip heater other than where normally furnished. Specify size and location of desired holes

ENCLOSURE OPTIONS

- GP General Purpose Enclosure
- LT Moisture Resistant Enclosure
- ER Explosion Resistant Enclosure

Strip Heaters

Type BAR (3 ")

Catalog Number	Dim"D" SeeNote	Sheath Length	Total Length	No.Mtg. Holes	W/sq.in 1Side	W/sq.in Total	Watts	Volts
BAR14M1	2	11	15.5	2	23	11	750	120
BAR14M2	2	11	15.5	2	23	11	750	240
BAR14M4	2	11	15.5	2	23	11	750	480

Strip Heaters

Type BAR (3 ")

Catalog Number	Dim"D" SeeNote	Sheath Length	Total Length	No.Mtg. Holes	W/sq.in 1Side	W/sq.in Total	Watts	Volts
BAR14H2	2	11	15.5	2	12	6	375	120
BAR14H4	2	11	15.5	2	12	6	375	240
BAR19M1	1	16	20.5	3	23	11	1000	120
BAR19M2	1	16	20.5	3	23	11	1000	240
BAR19M4	1	16	20.5	3	23	11	1000	480
BAR19B2	1	16	20.5	3	15	7	670	120
BAR19B4	1	16	20.5	3	15	7	670	240
BAR19H2	1	16	20.5	3	12	6	500	120
BAR19H4	1	16	20.5	3	12	6	500	240
BAR21M1	2	18	22.5	3	23	11	1250	120
BAR21M2	2	18	22.5	3	23	11	1250	240
BAR21M4	2	18	22.5	3	23	11	1250	480
BAR21B2	2	18	22.5	3	15	7	800	120
BAR21B4	2	18	22.5	3	15	7	800	240
BAR21H2	2	18	22.5	3	12	6	625	120
BAR21H4	2	18	22.5	3	12	6	625	240
BAR25M1	1	23	27.5	4	23	11	1500	120
BAR25M2	1	23	27.5	4	23	11	1500	240
BAR25M4	1	23	27.5	4	23	11	1500	480
BAR25B2	1	23	27.5	4	15	7	1000	120
BAR25B4	1	23	27.5	4	15	7	1000	240
BAR25H2	1	23	27.5	4	12	6	750	120
BAR25H4	1	23	27.5	4	12	6	750	240
BAR34M1	1-1/2	31	35.5	5	23	11	2000	120
BAR34M2	1-1/2	31	35.5	5	23	11	2000	240
BAR34M4	1-1/2	31	35.5	5	23	11	2000	480
BAR34B2	1-1/2	31	35.5	5	15	7	1250	120
BAR34B4	1-1/2	31	35.5	5	15	7	1250	240
BAR34H2	1-1/2	31	35.5	5	12	6	1000	120
BAR34H4	1-1/2	31	35.5	5	12	6	1000	240
BAR41M2	1-1/2	38	42.5	6	23	11	2500	240
BAR41M4	1-1/2	38	42.5	6	23	11	2500	480
BAR41B2	2-1/2	40	42.5	6	15	7	1700	120
BAR41B4	2-1/2	40	42.5	6	15	7	1700	240
BAR41H2	1-1/2	38	42.5	6	12	6	1250	120
BAR41H4	1-1/2	38	42.5	6	12	6	1250	240
BAR49M2	2	46	51.5	7	23	11	3000	240
BAR49M4	2	46	51.5	7	23	11	3000	480
BAR49B2	2-1/2	49	51.5	7	15	7	2100	120
BAR49B4	2-1/2	49	51.5	7	15	7	2100	240
BAR49H2	2	46	51.5	7	12	6	1500	120
BAR49H4	2	46	51.5	7	12	6	1500	240
BAR52M2	2-1/2	47	53.5	7	23	11	3300	240
BAR52M4	2-1/2	47	53.5	7	23	11	3300	480
BAR65M2	2	60	66.5	9	23	11	4200	240
BAR65M4	2	60	66.5	9	23	11	4200	480
BAR65B4	3-1/2	56	66.5	8	15	7	2500	240
BAR65H4	2	60	66.5	9	12	6	2100	240
BAR78M2	1-1/2	73	79.5	11	23	11	5000	240

Strip Heaters

Type BAR (3 ")

Catalog Number	Dim "D" See Note	Sheath Length	Total Length	No. Mtg. Holes	W/sq.in 1 Side	W/sq.in Total	Watts	Volts
BAR78M4	1-1/2	73	79.5	11	23	11	5000	480
BAR78H4	1-1/2	73	79.5	11	12	6	2800	240
BAR88M4	3-1/2	84	99.5	12	23	11	5600	480
BAR88B4	3-1/2	84	99.5	12	15	7	3700	240
BAR88H4	3-1/2	84	99.5	12	12	6	3120	240
BAR100M4	2	95	101.5	14	23	11	6300	480
BAR100B4	2	95	101.5	14	15	7	4200	240
BAR100H4	2	95	101.5	14	12	6	3470	240

Note: Dim "D" is length (inches) from each heater end to centerline of first hole.

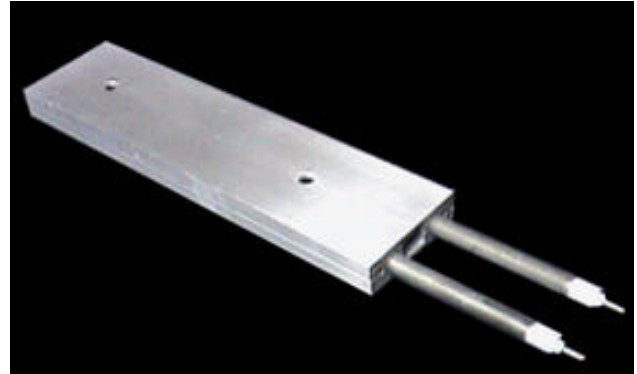
Strip Heaters

Type MBAR (1-1/2 " wide)

APPLICATIONS

The MBAR strip heater is designed for rugged duty at temperatures to 600°F. where moisture resistant or explosion resistant construction is desired.

The MBAR heater may be used to heat platens, dies, molds, tanks, kettles, reactors, and many other surfaces where direct contact between heater and surface to be heated is possible.



STANDARD FEATURES

Incoloy sheath tubular is tightly sandwiched between two (2) formed aluminum shoes. Holes are provided for field mounting on 3/8 inch diameter studs assuring good heat transfer to the process. Mounting holes are on six (6) inch centers.

ENCLOSURE OPTIONS

- GP General Purpose Enclosure
- LT Moisture Resistant Enclosure
- ER Explosion Resistant Enclosure

OTHER OPTIONS

- B15 Terminals bent up at 15° angle
- B45 Terminals bent up at 45° angle
- B90 Terminals bent up at 90° angle
- B180 Terminals bent up at 180° angle
- BXxx Terminals bent up (or down) at a specified angle
- J(-K) Integrally mounted ungrounded sensing thermocouple, terminated inside enclosure.
- HXxx Hole through middle of strip heater other than where normally furnished. Specify size and location of desired holes

Note: Dim "D" is length (inches) from each heater end to centerline of first hole.

Strip Heaters

Type MBAR (1-1/2 ")

Catalog Number	Watts	Volts	W/sqin 1Side	W/sqin Total	Dim"D" SeeNote	Sheath Length	Total Length	Qty. Holes	Weight (lbs.)
MBAR12-2-450D	450	120	25	9	3	12	12	2	1.0
MBAR12-2-450	450	240	25	9	3	12	12	2	1.0
MBAR12-2-300D	300	120	17	6	3	12	12	2	1.0
MBAR12-2-300	300	240	17	6	3	12	12	2	1.0
MBAR18-2-750D	750	120	28	10	3	18	18	3	2.0
MBAR18-2-750	750	240	28	10	3	18	18	3	2.0
MBAR18-2-475D	475	120	18	6	3	18	18	3	2.0
MBAR18-2-475	475	240	18	6	3	18	18	3	2.0
MBAR24-2-1000	1000	120	28	10	3	24	24	4	3.0
MBAR24-2-1000	1000	240	28	10	3	24	24	4	3.0
MBAR24-2-650D	650	120	18	6	3	24	24	4	3.0
MBAR24-2-650	650	240	18	6	3	24	24	4	3.0
MBAR30-2-1250D	1250	120	28	10	3	30	30	5	3.0
MBAR30-2-1250	1250	240	28	10	3	30	30	5	3.0
MBAR30-2-825D	825	120	18	6	3	30	30	5	3.0
MBAR30-2-825	825	240	18	6	3	30	30	5	3.0
MBAR36-2-1500D	1500	120	28	10	3	36	36	6	4.0
MBAR36-2-1500	1500	240	28	10	3	36	36	6	4.0
MBAR36-2-1000D	1000	120	19	7	3	36	36	6	4.0
MBAR36-2-1000	1000	240	19	7	3	36	36	6	4.0
MBAR42-2-1750D	1750	120	28	10	3	42	42	7	4.0
MBAR42-2-1750	1750	240	28	10	3	42	42	7	4.0
MBAR42-2-1200D	1200	120	19	7	3	42	42	7	4.0
MBAR42-2-1200	1200	240	19	7	3	42	42	7	4.0
MBAR48-2-2000D	2000	120	28	10	3	48	48	8	5.0
MBAR48-2-2000	2000	240	28	10	3	48	48	8	5.0
MBAR48-2-1375D	1375	120	19	7	3	48	48	8	5.0
MBAR48-2-1375	1375	240	19	7	3	48	48	8	5.0
MBAR54-2-2250	2250	240	28	10	3	54	54	9	6.0
MBAR54-2-1500D	1500	120	19	7	3	54	54	9	6.0
MBAR54-2-1500	1500	240	19	7	3	54	54	9	6.0
MBAR60-2-2500	2500	240	28	10	3	60	60	10	6.0
MBAR60-2-1725D	1725	120	19	7	3	60	60	10	6.0
MBAR60-2-1725	1725	240	19	7	3	60	60	10	6.0
MBAR66-2-2750	2750	240	28	10	3	66	66	11	7.0
MBAR66-2-1900D	1900	120	19	7	3	66	66	11	7.0
MBAR66-2-1900	1900	240	19	7	3	66	66	11	7.0
MBAR72-2-3000	3000	240	28	10	3	72	72	12	7.0
MBAR72-2-2100D	2100	120	19	7	3	72	72	12	7.0
MBAR72-2-2100	2100	240	19	7	3	72	72	12	7.0
MBAR78-2-3500	3500	240	29	10	3	78	78	13	8.0
MBAR78-2-2325D	2325	120	19	7	3	78	78	13	8.0
MBAR78-2-2325	2325	240	19	7	3	80	78	14	8.0
MBAR84-2-3750	3750	240	29	10	3	84	84	14	9.0
MBAR84-2-2500D	2500	120	19	7	3	84	84	14	9.0
MBAR84-2-2500	2500	240	19	7	3	84	84	14	9.0

Note: Dim "D" is length (inches) from each heater end to centerline of first hole.

Strip Heaters

Type MBAR (1-1/2 ")

Catalog Number	Watts	Volts	W/sqin 1Side	W/sqin Total	Dim"D" SeeNote	Sheath Length	Total Length	Qty. Holes	Weight (lbs.)
MBAR90-2-4000	4000	240	29	10	3	90	90	15	9.0
MBAR90-2-2700D	2700	120	20	7	3	90	90	15	9.0
MBAR90-2-2700	2700	240	20	7	3	90	90	15	9.0
MBAR96-2-4250	4250	240	29	10	3	96	96	16	10.0
MBAR96-2-2875D	2875	120	20	7	3	96	96	16	10.0
MBAR96-2-2875	2875	240	20	7	3	96	96	16	10.0
MBAR102-2-4500	4500	240	29	10	3	102	102	17	10.0
MBAR102-2-3050D	3050	120	20	7	3	102	102	17	10.0
MBAR102-2-3050	3050	240	20	7	3	102	102	17	10.0

Note: Dim "D" is length (inches) from each heater end to centerline of first hole.

Ring Heaters

Type GA

APPLICATIONS

The Chrome Steel Sheath Ring Heater is commonly found clamped to hot plates, tanks, kettles, platens, dies, molds, and restaurant equipment. They may be mounted in a concentric fashion for additional heating capacity and are well suited for clamping to a flat circular surface.

STANDARD FEATURES

The nickel chromium resistor element is encased in a compressed refractory which is surrounded by the chrome steel sheath. The rugged 10-32 threaded studs and associated hardware are well suited to simplified yet dependable service. Type RHTW wire and type RH ring terminals are generally well suited for use with the ring heater.



ACCESSORIES

Ceramic Post Terminal Cover

Used in conjunction with Type HTW insulated wire to protect against electric shock from bare terminals. The cover is used with the No. 10-32 threaded terminal and can be installed in the field.

-RHTW (specify length)

High Temperature Wire Pigtails installed on ring heater prior to shipment. Wire UL Listed and rated for 450 °C service.

Ring Heaters

Type GA

Chrome Steel

Type: GA

Gaumer Catalog Number	Outside Diameter	Inside Diameter	Thickness	Watts	Volts	Watts / Sq.In.	Weight (lbs.)
GA001-125	2-1/2	0-7/8	9/32	125	120	14	0.2
GA001-175	2-1/2	0-7/8	9/32	175	120	20	0.2
GA101-200	3	0-7/8	9/32	200	120	14	0.2
GA101-275	3	0-7/8	9/32	275	120	20	0.2
GA151-200	3-1/2	0-7/8	9/32	200	120	11	0.3
GA152-200	3-1/2	0-7/8	9/32	200	240	11	0.3
GA151-350	3-1/2	0-7/8	9/32	350	120	18	0.3

Ring Heaters

Type GA

Chrome Steel

Type: GA

Gaumer Catalog Number	Outside Diameter	Inside Diameter	Thickness	Watts	Volts	Watts / Sq.In.	Weight (lbs.)
GA152-350	3-1/2	0-7/8	9/32	350	240	18	0.3
GA201-400	4	1-11/16	9/32	400	120	19	0.4
GA202-400	4	1-11/16	9/32	400	240	19	0.4
GA301-550	4-5/8	2-1/4	9/32	550	120	20	0.4
GA302-550	4-5/8	2-1/4	9/32	550	240	20	0.4
GA401-500	5-7/16	3	9/32	500	120	14	0.5
GA402-500	5-7/16	3	9/32	500	240	14	0.5
GA401-700	5-7/16	3	9/32	700	120	20	0.5
GA402-700	5-7/16	3	9/32	700	240	20	0.5
GA601-500	6-5/8	4-9/16	9/32	500	120	13	0.6
GA602-500	6-5/8	4-9/16	9/32	500	240	13	0.6
GA601-750	6-5/8	4-9/16	9/32	750	120	18	0.6
GA602-750	6-5/8	4-9/16	9/32	750	240	18	0.6
GA701-550	7-1/2	5-1/4	9/32	550	120	10	0.7
GA702-550	7-1/2	5-1/4	9/32	550	240	10	0.7
GA701-750	7-1/2	5-1/4	9/32	750	120	14	0.7
GA702-750	7-1/2	5-1/4	9/32	750	240	14	0.7
GA801-880	8-3/8	6-3/16	9/32	880	120	15	0.9
GA802-880	8-3/8	6-3/16	9/32	880	240	15	0.9
GA801-1200	8-3/8	6-3/16	9/32	1200	120	20	0.9
GA802-1200	8-3/8	6-3/16	9/32	1200	240	20	0.9

GAUMER PROCESS

HEATERS
SYSTEMS
CONTROLS

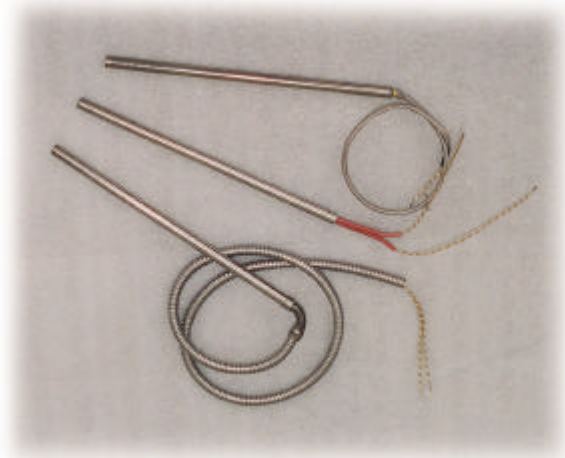
Cartridge Heaters Premium Construction

APPLICATIONS

The Gaumer Premium Construction Cartridge Heater is used for heating metal parts, platens, molds, dies, and fixtures thru the insertion of cartridge heaters into drilled holes. The swedged construction and the alloy sheath material is good for rugged duty operation.

STANDARD FEATURES

- High Quality Nickel-Chromium Resistance Wire
- High Grade MgO (Magnesium Oxide) is Compacted thru a Swedging Operation to Maximize Heat-Transfer.
- Heavy-Wall Alloy Sheath Provides Excellent Resistance to Corrosion and has a Good Emissivity Factor for Good Transfer of Heat.
- Alloy End-Disk is Heliarc Welded to Provide a Liquid-tight Seal and to Maintain Heater Strength and Integrity During Removal.
- Stranded High-Temperature Lead Wires are Attached to Solid Nickel Terminal Pins.



SPECIAL FEATURES AND OPTIONS

- 18F High-Temperature Flexible Leadwires, 18 inches long
- 24F High Temperature Flexible Leadwires, 24 inches long
- 36F High Temperature Flexible Leadwires, 36 inches long
- 2CB 2 Inch High-Temperature Terminal Pins with Ceramic Beads
- 4CB 4 Inch High-Temperature Terminal Pins with Ceramic Beads
- 1L Hex Head Threaded Stainless Steel Bushing Welded to Terminal End
- 2L Double Head Double Thread Stainless Steel Bushing Welded to Terminal End
- SF Hex Head Stainless Steel Flange tack welded to Heater Terminal End
- J Internally Mounted Type J Thermocouple with 18 inch long Leadwires
- K Internally Mounted Type K Thermocouple with 18 inch long Leadwires
- MB 12 Inches Stainless Steel Flexible Conduit Tackwelded to Heater Sheath. Includes 14 Inches Insulated High-Temperature Leadwires
- RASS Right Angle Stainless Steel Elbow is Welded to Terminal End of Heater and to 12 Inches Long Stainless Steel Flexible Conduit. Includes 14 Inches Insulated High-Temperature Leadwires
- SASS Straight Stainless Steel Transition Fitting is Welded to Terminal End of Heater and to 12 Inches Long Stainless Steel Flexible Conduit. Includes 14 Inches Insulated High-Temperature Leadwires.

Cartridge Heaters

Premium Construction

Diameter: 0.250

Catalog Number	Watts	Volts	Length	Watts/ sq.in.	Weight (lbs.)	Features
A101-80	80	120	1.000	108	0.10	
A101-100	100	120	1.000	260	0.10	
A102-100	100	240	1.000	250	0.02	
A101-150	150	120	1.000	390	0.10	
A121-75	75	120	1.250	130	0.10	
A121-100	100	120	1.250	173	0.10	
A121-125	125	120	1.250	216	0.10	
A121-150XX	150	120	1.250	260	0.10	
A121-150	150	120	1.250	260	0.10	
A122-150	150	240	1.250	260	0.10	
A122-200	200	240	1.250	346	0.10	
A122-225	225	240	1.250	390	0.02	
A121-75-1L	750	120	1.250	130	0.10	St.Stl. Hex Head Bushing
A141-50	50	120	1.500	65	0.03	
A141-100	100	120	1.500	130	0.10	
A141-150	150	120	1.500	195	0.10	
A142-175	175	240	1.500	228	0.10	
A141-200	200	120	1.500	260	0.10	
A142-200	200	240	1.500	260	0.10	
A142-250	250	240	1.500	325	0.10	
A201-50	50	120	2.000	43	0.03	
A201-80	80	120	2.000	68	0.03	
A201-100	100	120	2.000	87	0.10	
A202-125	125	240	2.000	108	0.03	
A201-150-22TF	150	120	2.000	130	0.10	
A201-150	150	120	2.000	130	0.10	
A202-150	150	240	2.000	130	0.10	
A201-200	200	120	2.000	173	0.10	
A202-200	200	240	2.000	173	0.10	
A201-250	250	120	2.000	217	0.10	
A202-250	250	240	2.000	215	0.10	
A201-300	300	120	2.000	260	0.10	
A202-300	300	240	2.000	260	0.10	
A222-300-36F	300	240	2.250	260	0.10	36 inch long Flexible Leads
A222-350-36F	350	240	2.250	300	0.03	36 inch long Flexible Leads
A241-250	250	120	2.500	159	0.04	
A242-250	250	240	2.500	159	0.04	
A301-100	100	120	3.000	50	0.05	
A301-125	125	120	3.000	65	0.10	
A301-200	200	120	3.000	104	0.10	
A301-200-F	200	120	3.000	104	0.10	10 inch long Flexible Leads
A301-200-1L	200	120	3.000	104	0.10	St.Stl. Hex Head Bushing
A302-200	200	240	3.000	104	0.10	
A302-200-30MB	200	240	3.000	104	0.10	
A302-250	250	240	3.000	128	0.05	
A301-300	300	120	3.000	156	0.10	
A301-300-1L	300	120	3.000	156	0.10	St.Stl. Hex Head Bushing

Cartridge Heaters

Premium Construction

Diameter: 0.250

Catalog Number	Watts	Volts	Length	Watts/ sq.in.	Weight (lbs.)	Features
A302-300	300	240	3.000	156	0.10	
A302-3001L	300	240	3.000	156	0.05	St.Stl. Hex Head Bushing
A341-200	200	120	3.500	89	0.10	
A362-200-30MB	200	240	3.750	84	0.10	
A401-100	100	120	4.000	37	0.10	
A401-200	200	120	4.000	74	0.10	
A402-200	200	240	4.000	74	0.10	
A401-300	300	120	4.000	111	0.10	
A402-300	300	240	4.000	111	0.10	
A402-400	400	240	4.000	148	0.10	
A441-200	200	120	4.500	64	0.10	
A501-120-24F	120	120	5.000	34	0.10	24 inch long Flexible Leads
A501-120-24FJ	120	120	5.000	34	0.10	
A502-350	350	240	5.000	101	0.10	
A501-400	400	120	5.000	113	0.09	
A502-400	400	240	5.000	113	0.09	
A602-300-18F	300	240	6.000	71	0.10	18 inch long Flexible Leads
A602-300	300	240	6.000	71	0.10	
A601-400	400	120	6.000	94	0.10	
A602-400	400	240	6.000	94	0.10	
A601-600	600	120	6.000	142	0.10	
A802-400	400	240	8.000	71	0.10	
A1002-500-1L-6	500	240	10.000	71	0.10	

Diameter: 0.375

Catalog Number	Watts	Volts	Length	Watts/ sq.in.	Weight (lbs.)	Features
B101-55	55	120	1.000	95	0.03	
B101-100	100	120	1.000	172	0.05	
B101-150	150	120	1.000	259	0.05	
B102-200-F	200	240	1.000	344	0.05	10 inch long Flexible Leads
B121-100	100	120	1.250	115	0.06	
B121-125	125	120	1.250	144	0.06	
B121-150	150	120	1.250	172	0.06	
B122-150	150	240	1.250	172	0.06	
B121-200	200	120	1.250	230	0.06	
B122-200	200	240	1.250	230	0.06	
B121-400	400	120	1.250	426	0.03	
B141-030	30	120	1.500	26	0.04	
B141-30	30	120	1.500	26	0.07	
B141-50-22F	50	120	1.500	43	0.04	22 inch long Flexible Leads
B141-75	75	120	1.500	65	0.07	
B141-075	75	120	1.500	65	0.04	
B141-80	80	120	1.500	68	0.04	
B141-100	100	120	1.500	86	0.07	
B142-100	100	240	1.500	86	0.04	
B142-125	125	240	1.500	106	0.04	
B141-150	150	120	1.500	129	0.07	

Cartridge Heaters

Premium Construction

Diameter: 0.375

Catalog Number	Watts	Volts	Length	Watts/ sq.in.	Weight (lbs.)	Features
B142-150	150	240	1.500	129	0.07	
B142-150-1L	150	240	1.500	129	0.04	St.Stl. Hex Head Bushing
B141-200	200	120	1.500	173	0.07	
B142-200	200	240	1.500	173	0.04	
B141-250	250	120	1.500	216	0.07	
B142-250	250	240	1.500	216	0.07	
B161-125	125	120	1.750	86	0.08	
B161-175	175	120	1.750	122	0.08	
B162-200	200	240	1.750	142	0.05	
B161-250	250	120	1.750	172	0.08	
B162-250	250	240	1.750	172	0.08	
B17X1-100	100	120	1.875	65	0.05	
B172-150	150	240	1.875	98	0.05	
B171-200	200	120	1.875	129	0.05	
B171-250	250	120	1.875	152	0.05	
B172-250	250	240	1.875	161	0.05	
B201-50	50	120	2.000	29	0.09	
B201-75	75	120	2.000	42	0.05	
B201-100	100	120	2.000	57	0.09	
B1X2-100	100	240	2.000	57	0.05	
B202-100	100	240	2.000	57	0.09	
B201-150	150	120	2.000	86	0.09	
B202-150	150	240	2.000	86	0.09	
B201-200	200	120	2.000	115	0.09	
B202-200	200	240	2.000	115	0.09	
B201-250	250	120	2.000	144	0.09	
B202-250F	250	240	2.000	144	0.05	10 inch long Flexible Leads
B202-250	250	240	2.000	144	0.09	
B202 250F	250	240	2.000	143	0.09	
B201-300	300	120	2.000	172	0.09	
B202-300	300	240	2.000	172	0.09	
B201-400	400	120	2.000	230	0.09	
B202-400	400	240	2.000	230	0.09	
B201-500	500	120	2.000	282	0.05	
B202-500	500	240	2.000	282	0.05	
B211-100	100	120	2.125	55	0.10	
B212-200	200	240	2.125	106	0.06	
B221-75	75	120	2.250	37	0.10	
B221-125	125	120	2.250	62	0.06	
B222-125	125	240	2.250	62	0.06	
B222-150	150	240	2.250	73	0.06	
B221-175	175	120	2.250	86	0.10	
B221-250	250	120	2.250	123	0.10	
B222-250	250	240	2.250	123	0.10	
B221-300	300	120	2.250	148	0.06	
B222-300	300	240	2.250	148	0.06	
B221-350	350	120	2.250	173	0.06	
B222-350	350	240	2.250	173	0.06	

Cartridge Heaters

Premium Construction

Diameter: 0.375

Catalog Number	Watts	Volts	Length	Watts/ sq.in.	Weight (lbs.)	Features
B231-75	75	120	2.375	35	0.06	
B241-200	200	120	2.500	87	0.11	
B242-200	200	240	2.500	87	0.11	
B241-250	250	120	2.500	108	0.11	
B242-250	250	240	2.500	108	0.11	
B241-300	300	120	2.500	130	0.11	
B242-300	300	240	2.500	130	0.11	
B241-400	400	120	2.500	174	0.07	
B242-400	400	240	2.500	174	0.07	
B241-500	500	120	2.500	216	0.11	
B242-500	500	240	2.500	216	0.11	
B271-60	60	120	2.875	22	0.08	
B271-250	250	120	2.875	92	0.08	
B272-300	300	240	2.875	110	0.08	
B301-100	100	120	3.000	34	0.14	
B302-100	100	240	3.000	34	0.14	
B301-150	150	120	3.000	52	0.14	
B302-150	150	240	3.000	52	0.14	
B301-200	200	120	3.000	69	0.14	
B302-200	200	240	3.000	69	0.14	
B301-250	250	120	3.000	86	0.14	
B302-250	250	240	3.000	86	0.14	
B302-260	260	240	3.000	92	0.14	
B301-300	300	120	3.000	104	0.14	
B302-300	300	240	3.000	104	0.14	
B301-400	400	120	3.000	138	0.14	
B302-400	400	240	3.000	138	0.14	
B301-500	500	120	3.000	173	0.14	
B302-500	500	240	3.000	173	0.14	
B302-600	600	240	3.000	208	0.14	
B321-500	500	120	3.250	152	0.15	
B341-250	250	120	3.500	72	0.16	
B342-250	250	240	3.500	72	0.09	
B341-300	300	120	3.500	87	0.16	
B342-300	300	240	3.500	87	0.16	
B342-320	320	240	3.500	91	0.09	
B341-500	500	120	3.500	144	0.16	
B342-500	500	240	3.500	144	0.16	
B371-150	150	120	3.875	38	0.18	
B372-500	500	240	3.875	128	0.10	
B401-125	125	120	4.000	31	0.11	
B402-125	125	240	4.000	31	0.11	
B401-150-F	150	120	4.000	37	0.11	10 inch long Flexible Leads
B402-150	150	240	4.000	37	0.11	
B401-175	175	120	4.000	43	0.11	
B401-250	250	120	4.000	62	0.18	
B402-250	250	240	4.000	62	0.18	
B401-300	300	120	4.000	74	0.18	

Cartridge Heaters

Premium Construction

Diameter: 0.375

Catalog Number	Watts	Volts	Length	Watts/ sq.in.	Weight (lbs.)	Features
B402-300F	300	240	4.000	74	0.11	10 inch long Flexible Leads
B402-300	300	240	4.000	74	0.18	
B402-370	370	240	4.000	92	0.18	
B401-400	400	120	4.000	99	0.18	
B402-400	400	240	4.000	99	0.18	
B402-450	450	240	4.000	109	0.18	
B401-500	500	120	4.000	123	0.18	
B402-500	500	240	4.000	123	0.18	
B401-550	550	120	4.000	134	0.18	
B422-300	300	240	4.250	67	0.19	
B422-750	750	240	4.250	167	0.19	
B441-300	300	120	4.500	65	0.20	
B442-300	300	240	4.500	65	0.20	
B442-420	420	240	4.500	90	0.20	
B441-500	500	120	4.500	108	0.20	
B442-500	500	240	4.500	108	0.20	
B472-300	300	240	4.875	59	0.22	
B472-500	500	240	4.875	98	0.22	
B501-150	150	120	5.000	29	0.23	
B502-150	150	240	5.000	29	0.23	
B501-200	200	120	5.000	38	0.23	
B502-200F	200	240	5.000	38	0.14	10 inch long Flexible Leads
B501-300	300	120	5.000	58	0.23	
B502-300	300	240	5.000	58	0.14	
B502-30020SB	300	240	5.000	58	0.14	
B502-400	400	240	5.000	76	0.23	
B502-470	470	240	5.000	90	0.23	
B501-500	500	120	5.000	96	0.23	
B502-500	500	240	5.000	96	0.23	
B501-650	650	120	5.000	125	0.23	
B502-750	750	240	5.000	144	0.23	
B502-1000	1000	240	5.000	192	0.23	
B522-200	200	240	5.250	36	0.24	
B542-175-24RAX	175	240	5.500	31	0.25	
B542-175	175	240	5.500	31	0.25	
B542-525	525	240	5.500	91	0.25	
B542-600	600	240	5.500	104	0.25	
B542-1000	1000	240	5.500	173	0.25	
B601-200	200	120	6.000	31	0.27	
B601-250	250	120	6.000	39	0.27	
B601-250-SF	250	120	6.000	39	0.27	Hex Head St.Stl. Flange
B601-250-14RAF	250	120	6.000	39	0.27	Right Angle Fttg - Flex Leads
B602-250	250	240	6.000	39	0.27	
B601-300	300	120	6.000	47	0.27	
B602-350-18F	350	240	6.000	55	0.27	18 inch long Flexible Leads
B601-400	400	120	6.000	63	0.27	
B601-400-18F	400	120	6.000	63	0.27	18 inch long Flexible Leads
B602-400-18SB	400	240	6.000	63	0.27	

Cartridge Heaters

Premium Construction

Diameter: 0.375

Catalog Number	Watts	Volts	Length	Watts/ sq.in.	Weight (lbs.)	Features
B602-400	400	240	6.000	63	0.27	
B601-500	500	120	6.000	79	0.27	
B601-500-SSBX	500	120	6.000	79	0.27	St.Stl. Braid over Lead Wires
B602-500	500	240	6.000	79	0.27	
B602-575	575	240	6.000	90	0.27	
B601-600	600	120	6.000	94	0.27	
B602-600	600	240	6.000	94	0.27	
B601-750	750	120	6.000	115	0.27	
B602-750	750	240	6.000	117	0.27	
B602-900	900	240	6.000	139	0.27	
B602-1000	1000	240	6.000	157	0.27	
B642-600	600	240	6.500	86	0.30	
B642-625	625	240	6.500	90	0.30	
B642-1000	1000	240	6.500	143	0.30	
B701-250	250	120	7.000	33	0.32	
B702-250	250	240	7.000	33	0.32	
B702-300	300	240	7.000	40	0.32	
B702-500	500	240	7.000	65	0.32	
B701-600	600	120	7.000	80	0.32	
B702-600-18F	600	240	7.000	80	0.32	18 inch long Flexible Leads
B702-600-1L-185F	600	240	7.000	80	0.32	Hex Head St.Stl. Flange
B702-600	600	240	7.000	80	0.32	
B702-675	675	240	7.000	90	0.32	
B702-1000-F	1000	240	7.000	133	0.32	10 inch long Flexible Leads
B702-1000	1000	240	7.000	133	0.32	
B742-600	600	240	7.500	75	0.34	
B742-725	725	240	7.500	91	0.34	
B742-1000F	1000	240	7.500	124	0.20	10 inch long Flexible Leads
B772-750	750	240	7.875	90	0.36	
B80X-25	25	12	8.000	3	0.36	
B801-025	25	120	8.000	3	0.22	
B801-200-1L-TCJ	200	120	8.000	22	0.36	
B801-250	250	120	8.000	29	0.36	
B801-300	300	120	8.000	34	0.36	
B802-300	300	240	8.000	34	0.36	
B802-350-18F	350	240	8.000	41	0.36	18 inch long Flexible Leads
B801-400	400	120	8.000	45	0.36	
B801-450	450	120	8.000	51	0.36	
B801-500	500	120	8.000	58	0.36	
B802-500-18SB	500	240	8.000	58	0.36	
B802-500-18F	500	240	8.000	58	0.36	18 inch long Flexible Leads
B802-500-36F	500	240	8.000	58	0.22	36 inch long Flexible Leads
B802-500	500	240	8.000	58	0.36	
B801-600	600	120	8.000	69	0.36	
B802-600	600	240	8.000	69	0.36	
B802-700	700	240	8.000	79	0.36	
B802-750	750	240	8.000	85	0.36	
B802-775	775	240	8.000	88	0.36	

Cartridge Heaters

Premium Construction

Diameter: 0.375

Catalog Number	Watts	Volts	Length	Watts/ sq.in.	Weight (lbs.)	Features
B801-800-18F	800	120	8.000	90	0.36	18 inch long Flexible Leads
B802-1000	1000	240	8.000	115	0.36	
B852-500	500	240	8.625	56	0.39	
B902-400	400	240	9.000	42	0.41	
B901-500-SSBX	500	120	9.000	52	0.41	St.Stl. Braid over Lead Wires
B901-500	500	120	9.000	52	0.41	
B902-1000	1000	240	9.000	100	0.41	
B942-600	600	240	9.500	57	0.43	
B942-1000	1000	240	9.500	96	0.43	
B1001-300-12FL	300	120	10.000	27	0.45	St.Stl. Hex DblEnd Head Bushi
B1001-400	400	120	10.000	36	0.45	
B1002-400	400	240	10.000	36	0.45	
B1001-500	500	120	10.000	46	0.27	
B1002-500-18F	500	240	10.000	46	0.45	18 inch long Flexible Leads
B1002-500	500	240	10.000	46	0.45	
B1001-600	600	120	10.000	54	0.45	
B1002-600	600	240	10.000	54	0.45	
B1001-800-1L	800	120	10.000	72	0.45	St.Stl. Hex Head Bushing
B1002-800	800	240	10.000	73	0.45	
B1002-1000F	1000	240	10.000	91	0.45	10 inch long Flexible Leads
B1002-1200F	1200	240	10.000	108	0.45	10 inch long Flexible Leads
B1072-240	240	240	10.875	20	0.49	
B1101-300-RA	300	120	11.000	25	0.50	
B1201-400	400	120	12.000	30	0.55	
B1201-600-F	600	120	12.000	45	0.55	10 inch long Flexible Leads
B1201-600	600	120	12.000	45	0.55	
B1202-600	600	240	12.000	45	0.55	
B1202-1000	1000	240	12.000	75	0.55	
B1201-1500	1500	120	12.000	90	0.55	
B1272-1000	1000	240	12.875	73	0.59	
B1401-500-SSBX	500	120	14.000	31	0.38	St.Stl. Braid over Lead Wires
B1402-600	600	240	14.000	39	0.38	
B1442-1000F	1000	240	14.000	65	0.38	10 inch long Flexible Leads
B1502-700-18F	700	240	15.000	44	0.68	18 inch long Flexible Leads
B1802-1000-18F	1000	240	18.000	51	0.82	18 inch long Flexible Leads
B2201-300-24F	300	120	22.000	12	0.10	24 inch long Flexible Leads
B4002-1500-18F	1500	240	40.000	32	0.75	18 inch long Flexible Leads

Diameter: 0.500

Catalog Number	Watts	Volts	Length	Watts/ sq.in.	Weight (lbs.)	Features
C101-50	50	120	1.000	65	0.06	
C101-150	150	120	1.000	193	0.06	
C121-50	50	120	1.250	43	0.08	
C121-125	125	120	1.250	107	0.08	
C122-125	125	240	1.250	107	0.08	
C122-200	200	240	1.250	172	0.08	
C122-250	250	240	1.250	212	0.08	

Cartridge Heaters

Premium Construction

Diameter: 0.500

Catalog Number	Watts	Volts	Length	Watts/ sq.in.	Weight (lbs.)	Features
C141-50	50	120	1.500	32	0.09	
C141-150	150	120	1.500	97	0.09	
C142-150	150	240	1.500	97	0.09	
C141-200	200	120	1.500	128	0.09	
C142-200	200	240	1.500	128	0.09	
C161-75-F	75	120	1.750	34	0.11	10 inch long Flexible Leads
C201-75	75	120	2.000	32	0.13	
C201-150	150	120	2.000	54	0.13	
C202-150-18F	150	240	2.000	54	0.13	18 inch long Flexible Leads
C201-200	200	120	2.000	86	0.13	
C202-200	200	240	2.000	86	0.13	
C201-250	250	120	2.000	108	0.13	
C202-250	250	240	2.000	108	0.13	
C201-300	300	120	2.000	128	0.13	
C202-300	300	240	2.000	128	0.13	
C201-400	400	120	2.000	171	0.13	
C202-400	400	240	2.000	171	0.13	
C221-75	75	120	2.250	28	0.14	
C221-125	125	120	2.250	46	0.14	
C221-200-F	200	120	2.250	74	0.14	10 inch long Flexible Leads
C221-250	250	120	2.250	92	0.14	
C222-250	250	240	2.250	92	0.14	
C221-400	400	120	2.250	147	0.14	
C222-400	400	240	2.250	147	0.14	
C221-500	500	120	2.250	184	0.14	
C222-500	500	240	2.250	184	0.14	
C231-75	75	120	2.375	26	0.15	
C232-75	75	240	2.375	26	0.15	
C231-100	100	120	2.375	34	0.15	
C232-100	100	240	2.375	34	0.15	
C231-120	120	120	2.375	41	0.15	
C232-120	120	240	2.375	41	0.15	
C231-250	250	120	2.375	86	0.15	
C232-250	250	240	2.375	86	0.15	
C231-500	500	120	2.375	172	0.15	
C232-500	500	240	2.375	172	0.15	
C241-80	80	120	2.500	26	0.16	
C241-100	100	120	2.500	32	0.16	
C242-100	100	240	2.500	32	0.16	
C241-250	250	120	2.500	81	0.16	
C242-250	250	240	2.500	81	0.16	
C241-300	300	120	2.500	96	0.16	
C242-300	300	240	2.500	96	0.16	
C242-350	350	240	2.500	112	0.16	
C241-400	400	120	2.500	128	0.16	
C242-400	400	240	2.500	128	0.16	
C241-500	500	120	2.500	161	0.16	
C242-500	500	240	2.500	161	0.16	

Cartridge Heaters

Premium Construction

Diameter: 0.500

Catalog Number	Watts	Volts	Length	Watts/ sq.in.	Weight (lbs.)	Features
C252-300	300	240	2.625	90	0.16	
C251-350	350	120	2.625	108	0.16	
C261-400	400	120	2.750	120	0.17	
C262-400	400	240	2.750	120	0.17	
C302-75-1LX	75	240	3.000	19	0.19	
C301-100	100	120	3.000	25	0.19	
C301-125	125	120	3.000	32	0.19	
C302-125	125	240	3.000	32	0.19	
C301-250	250	120	3.000	64	0.19	
C302-250	250	240	3.000	64	0.19	
C301-300	300	120	3.000	78	0.19	
C302-300	300	240	3.000	78	0.19	
C301-350	350	120	3.000	89	0.19	
C301-400	400	120	3.000	104	0.19	
C302-400	400	240	3.000	104	0.19	
C301-500	500	120	3.000	129	0.19	
C302-500	500	240	3.000	129	0.19	
C301-600	600	120	3.000	154	0.19	
C302-600	600	240	3.000	154	0.19	
C301-750	750	120	3.000	193	0.19	
C302-750	750	240	3.000	193	0.19	
C301-1000	1000	120	3.000	254	0.19	
C321-120	120	120	3.250	27	0.20	
C341-250	250	120	3.500	54	0.22	
C342-250	250	240	3.500	54	0.22	
C342-350	350	240	3.500	75	0.22	
C341-400	400	120	3.500	86	0.22	
C342-420	420	240	3.500	82	0.22	
C341-500	500	120	3.500	107	0.22	
C342-500	500	240	3.500	107	0.22	
C342-750	750	240	3.500	162	0.22	
C372-250	250	240	3.875	50	0.24	
C371-500	500	120	3.875	100	0.24	
C401-100	100	120	4.000	19	0.25	
C401-150	150	120	4.000	28	0.25	
C402-150	150	240	4.000	28	0.25	
C402-180	180	240	4.000	34	0.25	
C401-250	250	120	4.000	46	0.25	
C402-250	250	240	4.000	46	0.25	
C401-300	300	120	4.000	56	0.25	
C402-300	300	240	4.000	56	0.25	
C401-350	350	120	4.000	65	0.25	
C402-350	350	240	4.000	65	0.25	
C401-400	400	120	4.000	74	0.25	
C402-400	400	240	4.000	74	0.25	
C402-490	490	240	4.000	90	0.25	
C401-500	500	120	4.000	92	0.25	
C402-500-48F	500	240	4.000	92	0.25	48 inch long Flexible Leads

Cartridge Heaters

Premium Construction

Diameter: 0.500

Catalog Number	Watts	Volts	Length	Watts/ sq.in.	Weight (lbs.)	Features
C402-500	500	240	4.000	92	0.25	
C402-500-18F	500	240	4.000	92	0.25	18 inch long Flexible Leads
C401-550	550	120	4.000	100	0.25	
C401-750	750	120	4.000	138	0.25	
C402-750	750	240	4.000	138	0.25	
C402-1000	1000	240	4.000	184	0.25	
C431-550	550	120	4.375	95	0.27	
C442-250-16AC	250	240	4.500	40	0.28	
C442-250	250	240	4.500	40	0.28	
C441-500	500	120	4.500	80	0.28	
C442-500	500	240	4.500	80	0.28	
C442-500-48F	500	240	4.500	80	0.28	48 inch long Flexible Leads
C442-550	550	240	4.500	80	0.28	
C441-750	750	120	4.500	120	0.28	
C442-750	750	240	4.500	120	0.28	
C472-300	300	240	4.875	47	0.30	
C472-1000	1000	240	4.875	155	0.31	
C501-150	150	120	5.000	22	0.31	
C501-200	200	120	5.000	29	0.31	
C502-200	200	240	5.000	29	0.31	
C501-250	250	120	5.000	36	0.31	
C501-350	350	120	5.000	50	0.31	
C502-350	350	240	5.000	50	0.31	
C501-400	400	120	5.000	58	0.31	
C502-400	400	240	5.000	58	0.31	
C501-500	500	120	5.000	72	0.31	
C502-500	500	240	5.000	72	0.31	
C504-500	500	240	5.000	72	0.31	
C504-500-36	500	480	5.000	72	0.31	
C502-625	625	240	5.000	89	0.31	
C501-750-F	750	120	5.000	108	0.31	10 inch long Flexible Leads
C501-750	750	120	5.000	108	0.31	
C502-750	750	240	5.000	108	0.31	
C502-1000	1000	240	5.000	143	0.31	
C521-40	40	120	5.250	5	0.21	
C542-200	200	240	5.500	25	0.34	
C541-500	500	120	5.500	64	0.34	
C542-500	500	240	5.500	64	0.34	
C542-500-F	500	240	5.500	64	0.34	10 inch long Flexible Leads
C542-650	650	240	5.500	83	0.34	
C542-700	700	240	5.500	89	0.34	
C541-750	750	120	5.500	95	0.34	
C542-750	750	240	5.500	95	0.34	
C552-500	500	240	5.625	63	0.35	
C572-300	300	240	5.750	38	0.36	
C561-700	700	120	5.750	89	0.36	
C562-700	700	240	5.750	89	0.36	
C601-250	250	120	6.000	29	0.38	

Cartridge Heaters

Premium Construction

Diameter: 0.500

Catalog Number	Watts	Volts	Length	Watts/ sq.in.	Weight (lbs.)	Features
C602-250	250	240	6.000	29	0.38	
C601-300-18F	300	120	6.000	35	0.38	18 inch long Flexible Leads
C601-300	300	120	6.000	35	0.38	
C602-300-24F	300	240	6.000	35	0.38	24 inch long Flexible Leads
C602-300	300	240	6.000	35	0.38	
C601-350	350	120	6.000	41	0.38	
C601-350-24F	350	120	6.000	41	0.38	24 inch long Flexible Leads
C602-350	350	240	6.000	41	0.38	
C601-500-24F	500	120	6.000	59	0.38	24 inch long Flexible Leads
C601-500-18FL	500	120	6.000	59	0.38	St.Stl. Hex DblEnd Head Bushi
C601-500	500	120	6.000	59	0.38	
C604-500	500	240	6.000	59	0.38	
C602-500	500	240	6.000	59	0.38	
C602-500-48F	500	240	6.000	59	0.38	48 inch long Flexible Leads
C602-500-RAX	500	240	6.000	59	0.38	
C602-500-18F	600	240	6.000	59	0.38	18 inch long Flexible Leads
C601-750	750	120	6.000	88	0.38	
C602-750-18F	750	240	6.000	88	0.38	18 inch long Flexible Leads
C602-750	750	240	6.000	88	0.38	
C602-775	775	240	6.000	90	0.38	
C601-800	800	120	6.000	90	0.38	
C601-1000	1000	120	6.000	117	0.38	
C602-1000	1000	240	6.000	117	0.38	
C602-1000-RB30	1000	240	6.000	117	0.38	
C631-500	500	120	6.375	55	0.40	
C642-500	500	240	6.500	54	0.41	
C642-850	850	240	6.500	93	0.41	
C642-1000	1000	240	6.500	110	0.41	
C701-250	250	120	7.000	25	0.44	
C701-500	500	120	7.000	50	0.44	
C701-500-18F	500	120	7.000	50	0.44	18 inch long Flexible Leads
C702-500	500	240	7.000	50	0.44	
C701-600	600	120	7.000	60	0.44	
C702-600-20SB	600	240	7.000	60	0.44	
C702-600	600	240	7.000	60	0.44	
C702-1000	1000	240	7.000	99	0.44	
C742-500	500	240	7.500	46	0.47	
C742-975	975	240	7.500	92	0.47	
C742-1000	1000	240	7.500	95	0.47	
C801-300	300	120	8.000	26	0.50	
C801-300-24F	300	120	8.000	26	0.50	24 inch long Flexible Leads
C802-300-24F	300	240	8.000	26	0.50	24 inch long Flexible Leads
C802-400-F	400	240	8.000	34	0.50	10 inch long Flexible Leads
C801-500	500	120	8.000	43	0.50	
C801-500-18F	500	120	8.000	43	0.50	18 inch long Flexible Leads
C801-500-F	500	120	8.000	43	0.50	10 inch long Flexible Leads
C802-500	500	240	8.000	43	0.50	
C802-500-18F	500	240	8.000	43	0.50	18 inch long Flexible Leads

Cartridge Heaters

Premium Construction

Diameter: 0.500

Catalog Number	Watts	Volts	Length	Watts/ sq.in.	Weight (lbs.)	Features
C802-500-RB18	500	240	8.000	43	0.50	
C802-500RAF	500	240	8.000	43	0.50	Right Angle Fitting
C802-500-2LTCJ	500	240	8.000	43	0.50	
C802-600-36SB	600	240	8.000	52	0.50	
C802-600	600	240	8.000	52	0.50	
C802-700	700	240	8.000	59	0.50	
C802-700-24F	700	240	8.000	59	0.50	24 inch long Flexible Leads
C801-800F	800	120	8.000	69	0.50	10 inch long Flexible Leads
C801-800	800	120	8.000	69	0.50	
C801-1000	1000	120	8.000	86	0.50	
C802-1000	1000	240	8.000	86	0.50	
C802-1500	1500	240	8.000	129	0.50	
C802-2000	2000	240	8.000	172	0.50	
C842-300	300	240	8.500	24	0.53	
C842-500-AC24	500	240	8.500	40	0.33	
C842-500	500	240	8.500	40	0.53	
C842-1000	1000	240	8.500	80	0.53	
C901-300	300	120	9.000	23	0.56	
C902-500	500	240	9.000	38	0.56	
C902-1000	1000	240	9.000	76	0.56	
C941-300-36F	300	120	9.500	22	0.59	36 inch long Flexible Leads
C942-500	500	240	9.500	37	0.59	
C942-1000	1000	240	9.500	73	0.59	
C1001-300-F	300	120	10.000	21	0.63	10 inch long Flexible Leads
C1002-350-AC	350	240	10.000	24	0.63	
C1001-500	500	120	10.000	34	0.63	
C1002-500-18F	500	240	10.000	34	0.63	18 inch long Flexible Leads
C1002-500	500	240	10.000	34	0.63	
C1002-500-RAF	500	240	10.000	34	0.39	Right Angle Fitting
C1002-500-F	500	240	10.000	34	0.63	10 inch long Flexible Leads
C1001-600	600	120	10.000	41	0.63	
C1002-600-F	600	240	10.000	41	0.63	10 inch long Flexible Leads
C1001-750-18F	750	120	10.000	51	0.63	18 inch long Flexible Leads
C1001-750-18F	750	120	10.000	51	0.39	18 inch long Flexible Leads
C1002-750-18F	750	240	10.000	51	0.63	18 inch long Flexible Leads
C1002-800-18	800	240	10.000	54	0.63	
C1002-800	800	240	10.000	54	0.63	
C1001-1000	1000	120	10.000	68	0.63	
C1002-1000	1000	240	10.000	68	0.63	
C1002-1500	1500	240	10.000	102	0.63	
C1002-2000	2000	240	10.000	136	0.63	
C1102-600F	600	240	11.000	36	0.69	10 inch long Flexible Leads
C1102-1000	1000	240	11.000	61	0.69	
C1102-1500	1500	240	11.000	91	0.69	
C1142-250-AC	250	240	11.500	14	0.72	
C1142-600F	600	240	11.500	34	0.72	10 inch long Flexible Leads
C1162-500-18F	500	240	11.750	28	0.73	18 inch long Flexible Leads
C1162-1000	1000	240	11.750	56	0.73	

Cartridge Heaters

Premium Construction

Diameter: 0.500

Catalog Number	Watts	Volts	Length	Watts/ sq.in.	Weight (lbs.)	Features
C1201-100-CEXP	100	120	12.000	6	0.47	
C1201-350-18F	350	120	12.000	20	0.75	18 inch long Flexible Leads
C1202-350-18F	350	240	12.000	20	0.75	18 inch long Flexible Leads
C1202-350	350	240	12.000	20	0.75	
C1201-500	500	120	12.000	28	0.75	
C1202-500-18F	500	240	12.000	28	0.75	18 inch long Flexible Leads
C1201-600	600	120	12.000	34	0.75	
C1202-600	600	240	12.000	34	0.75	
C1201-1000	1000	120	12.000	56	0.75	
C1202-1000	1000	240	12.000	56	0.75	
C1202-1000-18SB	1000	240	12.000	56	0.75	
C1201-1200-24F	1200	120	12.000	67	0.75	24 inch long Flexible Leads
C1201-1200	1200	120	12.000	67	0.75	
C1202-1500	1500	240	12.000	84	0.75	
CIR-3120	1500	240	12.000	84	0.75	
C1202-2000	2000	240	12.000	112	0.75	
C1302-700	700	240	13.000	36	0.81	
C1302-700-18F	700	240	13.000	36	0.81	18 inch long Flexible Leads
C1407-500X	500	0	14.000	24	0.55	
C1402-500XX	500	240	14.000	24	0.88	
C1402-500	500	240	14.000	24	0.88	
C1402-500-18F	500	240	14.000	24	0.88	18 inch long Flexible Leads
C1402-700	700	240	14.000	34	0.88	
C1402-1000-RHF	1000	240	14.000	48	0.55	
C1402-1000	1000	240	14.000	48	0.88	
C1402-1500-18BS	1500	240	14.000	72	0.88	
C1402-1500	1500	240	14.000	72	0.88	
C1402-1600-F	1600	240	14.000	77	0.88	10 inch long Flexible Leads
C1402-2300	2300	240	14.000	110	0.88	
C1432-400	400	240	14.375	18	0.90	
C1432-400-AC	400	240	14.375	18	0.90	
C1501-500-18F	500	120	15.000	22	0.94	18 inch long Flexible Leads
C1502-500-18F	500	240	15.000	22	0.94	18 inch long Flexible Leads
C1502-600	600	240	15.000	26	0.94	
C1502-600-18F	600	240	15.000	26	0.94	18 inch long Flexible Leads
C1502-1500	1500	240	15.000	66	0.94	
C1601-500-18F	500	120	16.000	21	1.00	18 inch long Flexible Leads
C1602-500	500	240	16.000	21	1.00	
C1601-1000	1000	120	16.000	41	1.00	
C1601-1000-22F	1000	120	16.000	41	1.00	22 inch long Flexible Leads
C1601-1000-XL	1000	120	16.000	41	1.00	St.Stl. Hex DblEnd Head Bushi
C1602-1000	1000	240	16.000	41	1.00	
C1602-1500	1500	240	16.000	61	1.00	
C1702-500	500	240	17.000	20	1.06	
C1702-600	600	240	17.000	24	1.06	
C170XX1-22F	1000	120	17.000	40	1.06	22 inch long Flexible Leads
C1802-500	500	240	18.000	18	1.13	
C1802-500-18F	500	240	18.000	18	1.13	18 inch long Flexible Leads

Cartridge Heaters

Premium Construction

Diameter: 0.500

Catalog Number	Watts	Volts	Length	Watts/sq.in.	Weight (lbs.)	Features
C1802-1500	1500	240	18.000	55	1.13	
C1802-1500-F	1500	240	18.000	55	1.13	10 inch long Flexible Leads
C1802-1700-1L	1700	240	18.000	62	1.13	St.Stl. Hex Head Bushing
C1802-1700-18F	1700	240	18.000	62	1.13	18 inch long Flexible Leads
C2002-1050	1050	240	20.000	34	1.25	
C2602-2000	2000	240	26.000	60	1.63	

Diameter: 0.625

Catalog Number	Watts	Volts	Length	Watts/sq.in.	Weight (lbs.)	Features
D121-50	50	120	1.250	34	0.10	
D121-200	200	120	1.250	137	0.10	
D121-250	250	120	1.250	171	0.10	
D122-250	250	240	1.250	128	0.10	
D121-400	400	120	1.250	274	0.10	
D141-200	200	120	1.500	102	0.13	
D141-250	250	120	1.500	128	0.13	
D201-100	100	120	2.000	34	0.17	
D201-200	200	120	2.000	68	0.17	
D202-400	400	240	2.000	137	0.17	
D202-500F	500	240	2.000	170	0.11	10 inch long Flexible Leads
D221-100	100	120	2.250	29	0.19	
D221-250	250	120	2.250	73	0.19	
D222-250	250	240	2.250	73	0.19	
D221-350	350	120	2.250	103	0.19	
D222-350	350	240	2.250	103	0.19	
D222-500	500	240	2.250	146	0.19	
D231-150-18F	150	120	2.375	41	0.20	18 inch long Flexible Leads
D231-150F	150	120	2.375	41	0.20	10 inch long Flexible Leads
D232-150	150	240	2.375	41	0.20	
D232-180-F	180	240	2.375	49	0.20	10 inch long Flexible Leads
D231-280	280	120	2.375	77	0.20	
D232-280	280	240	2.375	77	0.20	
D231-350	350	120	2.375	96	0.20	
D242-280	280	240	2.500	73	0.21	
D301-150	150	120	3.000	31	0.18	
D302-150	150	240	3.000	31	0.25	
D302-180-2L	180	240	3.000	37	0.25	St.Stl. Hex DblEnd Head Bushi
D301-250	250	120	3.000	51	0.25	
D302-250	250	240	3.000	51	0.25	
D301-400	400	120	3.000	81	0.25	
D301-500	500	120	3.000	102	0.25	
D302-500	500	240	3.000	103	0.25	
D302-750	750	240	3.000	154	0.25	
D312-800-19F	800	240	3.125	158	0.26	19 inch long Flexible Leads
D351-240	240	120	3.625	45	0.30	
D361-525	525	120	3.750	82	0.31	
D362-525	525	240	3.750	82	0.23	

Cartridge Heaters

Premium Construction

Diameter: 0.625

Catalog Number	Watts	Volts	Length	Watts/ sq.in.	Weight (lbs.)	Features
D362-525-16F	525	240	3.750	82	0.31	16 inch long Flexible Leads
D402-100-F	100	240	4.000	15	0.33	10 inch long Flexible Leads
D402-100	100	240	4.000	15	0.33	
D401-150	150	120	4.000	22	0.33	
D402-200-F	200	240	4.000	29	0.33	10 inch long Flexible Leads
D401-250	250	120	4.000	37	0.33	
D402-250	250	240	4.000	37	0.33	
D402-400	400	240	4.000	58	0.33	
D401-500	500	120	4.000	74	0.33	
D402-500	500	240	4.000	73	0.33	
D402-600	600	240	4.000	88	0.33	
D401-750-F	750	120	4.000	110	0.33	10 inch long Flexible Leads
D401-750	750	120	4.000	110	0.33	
D402-750	750	240	4.000	110	0.24	
D402-1000	1000	240	4.000	146	0.33	
D431-240	240	120	4.375	35	0.36	
D431-300	300	120	4.375	42	0.26	
D441-250	250	120	4.500	35	0.38	
D441-275	275	120	4.500	38	0.38	
D441-275-F	275	120	4.500	38	0.38	10 inch long Flexible Leads
D502-125	125	240	5.000	14	0.42	
D501-250	250	120	5.000	28	0.42	
D502-250	250	240	5.000	28	0.42	
D502-500	500	240	5.000	57	0.42	
D502-750-24F	750	240	5.000	86	0.42	24 inch long Flexible Leads
D502-750	750	240	5.000	86	0.42	
D502-1000	1000	240	5.000	114	0.42	
D502-1300	1300	240	5.000	148	0.42	
D531-800	800	120	5.375	84	0.45	
D532-800	800	240	5.375	84	0.45	
D542-285	285	240	5.500	28	0.34	
D542-800	800	240	5.500	86	0.46	
D601-300	300	120	6.000	28	0.50	
D602-300	300	240	6.000	28	0.50	
D601-400-1L	400	120	6.000	38	0.50	St.Stl. Hex Head Bushing
D601-400	400	120	6.000	38	0.50	
D602-400	400	240	6.000	38	0.50	
D601-500	500	120	6.000	47	0.50	
D602-500	500	240	6.000	47	0.50	
D602-750	750	240	6.000	70	0.36	
D602-1000	1000	240	6.000	93	0.50	
D601-1500	1500	120	6.000	139	0.50	
D602-1500	1500	240	6.000	140	0.50	
D641-325	325	120	6.500	27	0.54	
D641-350	350	120	6.500	30	0.39	
D642-350	350	240	6.500	30	0.39	
D641-500	500	120	6.500	43	0.54	
D642-500	500	240	6.500	43	0.54	

Cartridge Heaters

Premium Construction

Diameter: 0.625

Catalog Number	Watts	Volts	Length	Watts/ sq.in.	Weight (lbs.)	Features
D702-400	400	240	7.000	31	0.58	
D701-500	500	120	7.000	39	0.58	
D702-500	500	240	7.000	39	0.58	
D702-1000	1000	240	7.000	79	0.58	
D702-1500	1500	240	7.000	118	0.58	
D762-1200	1200	240	7.750	84	0.46	
D801-100-X36	100	120	8.000	7	0.67	
D801-500	500	120	8.000	34	0.67	
D802-500	500	240	8.000	34	0.67	
D802-850	850	240	8.000	58	0.67	
D802-1000	1000	240	8.000	68	0.67	
D801-1200	1200	120	8.000	82	0.67	
D802-1200	1200	240	8.000	82	0.67	
D802-1500	1500	240	8.000	102	0.67	
D802-2000	2000	240	8.000	137	0.67	
D842-1000	1000	240	8.500	65	0.71	
D861-450	450	120	8.750	28	0.73	
D1001-500	500	120	10.000	27	0.83	
D1002-500	500	240	10.000	27	0.83	
D1001-600	600	120	10.000	32	0.83	
D1002-1600	600	240	10.000	32	0.83	
D1002-750	750	240	10.000	40	0.83	
D1002-1000	1000	240	10.000	54	0.83	
D1002-1500	1500	240	10.000	81	0.83	
D1002-2000	2000	240	10.000	108	0.83	
CIR4105	1700	0	10.750	85	0.90	
CIR4105-8CY	1700	0	10.750	85	0.90	
D1102-1000	1000	240	11.000	49	0.92	
D1062-1700-X	1700	240	11.000	91	0.92	
D1201-500	500	120	12.000	22	1.00	
D1202-500	500	240	12.000	22	1.00	
D1201-600	600	120	12.000	27	1.00	
D1202-900	900	240	12.000	40	1.00	
D1201-1000-1L	1000	120	12.000	45	1.00	St.Stl. Hex Head Bushing
D1201-1000	1000	120	12.000	45	1.00	
D1202-1000	1000	240	12.000	45	1.00	
D1201-1500	1500	120	12.000	66	1.00	
D1202-1500	1500	240	12.000	67	1.00	
D1202-2000	2000	240	12.000	89	1.00	
D1301-600-24RA	600	120	13.000	25	1.08	
D1302-750-36SF	750	240	13.000	31	1.08	Hex Head St.Stl. Flange
D1302-750	750	240	13.000	31	1.08	
D1402-3700	3700	240	14.000	140	1.17	
D1462-1000	1000	240	14.750	38	1.23	
D1502-600	600	240	15.000	21	1.25	
D1502-750	750	240	15.000	27	1.25	
D1502-2400	2400	240	15.000	84	1.25	
D1502-4000	4000	240	15.000	141	1.25	

Cartridge Heaters

Premium Construction

Diameter: 0.625

Catalog Number	Watts	Volts	Length	Watts/ sq.in.	Weight (lbs.)	Features
D1602-2500	2500	240	16.000	82	1.33	
D1602-4500	4500	240	16.000	148	1.33	
D1801-600	600	120	18.000	18	1.50	
D1802-1500	1500	240	18.000	44	1.50	
D1802-3000	3000	240	18.000	87	1.50	
D1802-4700	4700	240	18.000	137	1.50	
D2002-1000	1000	240	20.000	27	1.67	
D2002-1500	1500	240	20.000	40	1.67	
D2002-3500	3500	240	20.000	92	1.67	
D2002-4700	4700	240	20.000	123	1.67	
D2102-1075	1075	240	21.000	28	1.75	
D2402-1200	1200	240	24.000	26	2.00	
D2402-2000	2000	240	24.000	44	2.00	
D2402-3000	3000	240	24.000	66	2.00	
D2402-4700	4700	240	24.000	102	2.00	
D3602-1500	1500	240	36.000	22	3.00	
D3602-3000	3000	240	36.000	43	3.00	

Diameter: 0.750

Catalog Number	Watts	Volts	Length	Watts/ sq.in.	Weight (lbs.)	Features
E221-200	200	120	2.250	49	0.22	
E231-200	200	120	2.375	49	0.24	
E232-200	200	240	2.375	49	0.24	
E301-250	250	120	3.000	43	0.30	
E302-250	250	240	3.000	43	0.30	
E302-500F	500	240	3.000	85	0.26	10 inch long Flexible Leads
E341-300	300	120	3.500	51	0.35	
E342-300	300	240	3.500	51	0.35	
E351-750-CR	750	120	3.625	120	0.36	
E401-250	250	120	4.000	31	0.40	
E402-400	400	240	4.000	49	0.40	
E402-500	500	240	4.000	61	0.40	
E402-1000	1000	240	4.000	122	0.40	
E461-350	350	120	4.750	36	0.47	
E501-300	300	120	5.000	28	0.50	
E502-500	500	240	5.000	47	0.50	
E502-1000	1000	240	5.000	95	0.50	
E522-250-X	250	240	5.250	24	0.47	
E602-300	300	240	6.000	23	0.60	
E602-350	350	240	6.000	27	0.60	
E601-500	500	120	6.000	39	0.60	
E602-500	500	240	6.000	39	0.60	
E602-500-2L	500	240	6.000	39	0.60	St.Stl. Hex DblEnd Head Bushi
E602-750-F	750	240	6.000	59	0.60	10 inch long Flexible Leads
E602-1000-JTC	1000	240	6.000	78	0.51	
E602-1000	1000	240	6.000	78	0.51	
E602-1000-JT/C	1000	240	6.000	78	0.60	

Cartridge Heaters

Premium Construction

Diameter: 0.750

Catalog Number	Watts	Volts	Length	Watts/ sq.in.	Weight (lbs.)	Features
E602-1500	1500	240	6.000	116	0.60	
E602-2000	2000	240	6.000	155	0.60	
E702-350	350	240	7.000	23	0.70	
E701-500	500	120	7.000	33	0.70	
E702-500	500	240	7.000	33	0.70	
E702-1000	1000	240	7.000	66	0.70	
E742-1300	1300	240	7.500	80	0.75	
E801-500	500	120	8.000	28	0.80	
E802-500	500	240	8.000	28	0.80	
E802-1000	1000	240	8.000	57	0.80	
E802-2000	2000	240	8.000	114	0.80	
E1002-100-1L	100	240	10.000	5	0.85	St.Stl. Hex Head Bushing
E1002-200	200	240	10.000	10	1.00	
E1002-200-1L	200	240	10.000	10	0.85	St.Stl. Hex Head Bushing
E1001-800	800	120	10.000	36	1.00	
E1002-1000	1000	240	10.000	45	1.00	
E1002-2000	2000	240	10.000	90	0.85	
E1102-1500	1500	240	11.000	63	1.10	
E1202-100-1L	100	240	12.000	4	1.02	St.Stl. Hex Head Bushing
E1202-1000	1000	240	12.000	37	1.20	
E1202-1400	1400	240	12.000	52	1.20	
E1202-2000	2000	240	12.000	74	1.20	
E1202-4000	4000	240	12.000	148	1.20	
E1301-600	600	120	13.000	20	1.30	
E1302-1000	1000	240	13.000	34	1.30	
E1302-125F	1250	240	13.000	43	1.11	10 inch long Flexible Leads
E1304-1250	1250	240	13.000	43	1.30	
E1332-550	550	240	13.375	19	1.34	
E1402-700	700	240	14.000	22	1.40	
E1402-1000	1000	240	14.000	32	1.40	
E1402-1200	1200	240	14.000	41	1.40	
E1402-1250	1250	240	14.000	40	1.40	
E1402-2500	2500	240	14.000	79	1.40	
E1402-4500	4500	240	14.000	142	1.40	
E1502-1500	1500	240	15.000	44	1.50	
E1502-3000	3000	240	15.000	88	1.50	
E1602-700F	700	240	16.000	19	1.60	10 inch long Flexible Leads
E1602-1250	1250	240	16.000	34	1.60	
E1602-1800	1800	240	16.000	49	1.60	
E1602-3000	3000	240	16.000	82	1.60	
E1602-4700	4700	240	16.000	129	1.60	
E1702-1200	1200	240	17.000	30	1.70	
E1702-1200-90AF24	1200	240	17.000	30	1.45	
E1802-2000	2000	240	18.000	49	1.80	
E1802-3000	3000	240	18.000	74	1.80	
E1802-5000	5000	240	18.000	122	1.80	
E2002-1000	1000	240	20.000	22	2.00	
E2002-1150	1150	240	20.000	25	2.00	

Cartridge Heaters

Premium Construction

Diameter: 0.750

Catalog Number	Watts	Volts	Length	Watts/ sq.in.	Weight (lbs.)	Features
E2002-1200	1200	240	20.000	27	2.00	
E2002-2300	2300	240	20.000	52	2.00	
E2002-250	2500	240	20.000	54	2.00	
E2002-5250	5250	240	20.000	115	2.00	
E2402-1200	1200	240	24.000	22	2.40	
E2402-1375	1375	240	24.000	25	2.40	
E2402-1400	1400	240	24.000	26	2.40	
E2402-2550	2550	240	24.000	47	2.40	
E2402-2750	2750	240	24.000	50	2.40	
E2402-2800	2800	240	24.000	52	0.25	
E2402-4600	4600	240	24.000	84	2.40	
E2402-5500	5500	240	24.000	100	2.40	
E3604-2000	2000	240	36.000	24	3.60	
E3602-2500	2500	240	36.000	30	3.60	

Cartridge Heaters Standard Construction

APPLICATIONS

The Gaumer Standard Construction Cartridge Heater is used for heating metal parts, platens, molds, dies, and fixtures thru the insertion of cartridge heaters into drilled holes. The swedged construction is good for medium duty operation.

STANDARD FEATURES

- High Quality Nickel-Chromium Resistance Wire
- High Grade MgO (Magnesium Oxide) is Compacted thru a Swedging Operation to Maximize Heat-Transfer.
- Heavy-Wall Stainless Steel Sheath Provides Excellent Resistance to Corrosion and has a Good Emissivity Factor for Good Transfer of Heat.
- Alloy End-Disk is Heliarc Welded to Provide a Liquid-tight Seal and to Maintain Heater Strength and Integrity During Removal.
- Stranded High-Temperature Lead Wires are Attached to Solid Nickel Terminal Pins.



SPECIAL FEATURES AND OPTIONS

- 18F High-Temperature Flexible Leadwires, 18 inches long
- 24F High Temperature Flexible Leadwires, 24 inches long
- 36F High Temperature Flexible Leadwires, 36 inches long
- 2CB 2 Inch High-Temperature Terminal Pins with Ceramic Beads
- 4CB 4 Inch High-Temperature Terminal Pins with Ceramic Beads
- 1L Hex Head Threaded Stainless Steel Bushing Welded to Terminal End
- 2L Double Head Double Thread Stainless Steel Bushing Welded to Terminal End
- SF Hex Head Stainless Steel Flange Tackwelded to Heater Terminal End
- J Internally Mounted Type J Thermocouple with 18 inch long Leadwires
- K Internally Mounted Type K Thermocouple with 18 inch long Leadwires
- MB 12 Inches Stainless Steel Flexible Conduit Tackwelded to Heater Sheath. Includes 14 Inches Insulated High-Temperature Leadwires
- RASS Right Angle Stainless Steel Elbow is Welded to Terminal End of Heater and to 12 Inches Long Stainless Steel Flexible Conduit. Includes 14 Inches Insulated High-Temperature Leadwires
- SASS Straight Stainless Steel Transition Fitting is Welded to Terminal End of Heater and to 12 Inches Long Stainless Steel Flexible Conduit. Includes 14 Inches Insulated High-Temperature Leadwires.

Cartridge Heaters

Standard Construction

Diameter: 0.250

Gaumer Catalog Number	Watts	Volts	Length (inches)	Watts / sq.in.	Weight (lbs.)	Features
GHR25010H	55	120	1.000	140	0.02	10 Inch Leads
GHR25010J	100	120	1.000	250	0.02	10 Inch Leads
GHR25010K	100	240	1.000	250	0.02	10 Inch Leads
GHR25010L	150	120	1.000	390	0.02	10 Inch Leads
GHR25012T	75	120	1.250	130	0.02	10 Inch Leads
GHR25012F	100	120	1.250	173	0.02	10 Inch Leads
GHR25012G	150	120	1.250	260	0.02	10 Inch Leads
GHR25012H	150	240	1.250	260	0.02	10 Inch Leads
GHR25015K	100	120	1.500	130	0.03	10 Inch Leads
GHR25015L	150	120	1.500	195	0.03	10 Inch Leads
GHR250150AU	150	240	1.500	195	0.03	10 Inch Leads
GHR25015M	200	120	1.500	260	0.03	10 Inch Leads
GHR25015N	200	240	1.500	260	0.03	10 Inch Leads
GHR25015Y	200	240	1.500	260	0.03	36 Inch Leads - Internal TC
GHR25017B	200	240	1.750	240	0.03	36 Inch Leads - Internal TC
GHR25020AX	40	120	2.000	34	0.03	10 Inch Leads
GHR25020AY	40	240	2.000	34	0.03	10 Inch Leads
GHR25020N	100	120	2.000	87	0.03	10 Inch Leads
GHR25020P	150	120	2.000	130	0.03	10 Inch Leads
GHR25020Q	150	240	2.000	130	0.03	10 Inch Leads
GHR25020R	200	120	2.000	173	0.03	10 Inch Leads
GHR25020AC	200	240	2.000	173	0.03	36 Inch Leads - Internal TC
GHR25020S	200	240	2.000	173	0.03	10 Inch Leads
GHR25020T	250	120	2.000	217	0.03	10 Inch Leads
GHR25020U	250	240	2.000	217	0.03	10 Inch Leads
GHR25025E	200	120	2.500	128	0.04	10 Inch Leads
GHR25025P	200	240	2.500	128	0.04	36 Inch Leads - Internal TC
GHR25025H	200	240	2.500	128	0.04	10 Inch Leads
GHR25030AR	75	120	3.000	38	0.05	10 Inch Leads
GHR25030AS	75	240	3.000	38	0.05	10 Inch Leads
GHR25030AX	150	120	3.000	77	0.05	10 Inch Leads
GHR25030W	150	240	3.000	77	0.05	36 Inch Leads - Internal TC
GHR25030H	200	120	3.000	104	0.05	10 Inch Leads
GHR25030U	200	240	3.000	104	0.05	36 Inch Leads - Internal TC
GHR25030J	200	240	3.000	104	0.05	10 Inch Leads
GHR25030K	300	120	3.000	156	0.05	10 Inch Leads
GHR25030AV	300	240	3.000	156	0.05	36 Inch Leads - Internal TC
GHR25030L	300	240	3.000	156	0.05	10 Inch Leads
GHR25035E	250	240	3.500	111	0.06	36 Inch Leads - Internal TC
GHR25037F	220	120	3.750	84	0.06	10 Inch Leads
GHR25037E	220	240	3.750	84	0.06	36 Inch Leads - Internal TC
GHR25040J	100	120	4.000	37	0.07	10 Inch Leads
GHR25040AQ	100	240	4.000	37	0.07	10 Inch Leads
GHR25040K	200	120	4.000	74	0.07	10 Inch Leads
GHR25040L	200	240	4.000	74	0.07	10 Inch Leads
GHR25040V	250	240	4.000	92	0.07	36 Inch Leads - Internal TC

Cartridge Heaters

Standard Construction

Diameter: 0.250

Gaumer Catalog Number	Watts	Volts	Length (inches)	Watts / sq.in.	Weight (lbs.)	Features
GHR25040M	300	120	4.000	111	0.07	10 Inch Leads
GHR25040N	300	240	4.000	111	0.07	10 Inch Leads
GHR25040AR	375	120	4.000	139	0.07	10 Inch Leads
GHR25040AS	375	240	4.000	139	0.07	36 Inch Leads - Internal TC
GHR25047F	275	120	4.750	82	0.08	10 Inch Leads
GHR25050AB	250	240	5.000	68	0.09	36 Inch Leads - Internal TC
GHR25050AF	300	120	5.000	87	0.09	10 Inch Leads
GHR25050P	350	120	5.000	101	0.09	10 Inch Leads
GHR25050Q	350	240	5.000	101	0.09	10 Inch Leads
GHR25050AP	450	120	5.000	127	0.09	10 Inch Leads
GHR25050AQ	475	240	5.000	134	0.09	36 Inch Leads - Internal TC
GHR25057C	350	120	5.750	85	0.10	10 Inch Leads
GHR25057B	350	240	5.750	85	0.10	36 Inch Leads - Internal TC
GHR25060AC	150	120	6.000	35	0.10	10 Inch Leads
GHR25060AD	150	240	6.000	35	0.10	10 Inch Leads
GHR25060R	400	120	6.000	94	0.10	10 Inch Leads
GHR25060S	400	240	6.000	94	0.10	10 Inch Leads

Diameter: 0.310

Gaumer Catalog Number	Watts	Volts	Length (inches)	Watts / sq.in.	Weight (lbs.)	Features
GHR31020E	100	120	2.000	68	0.05	10 Inch Leads
GHR31020F	100	240	2.000	68	0.05	10 Inch Leads
GHR31020G	300	240	2.000	205	0.05	10 Inch Leads
GHR31030D	300	120	3.000	123	0.08	10 Inch Leads
GHR31030E	300	240	3.000	123	0.08	10 Inch Leads
GHR31040A	300	120	4.000	88	0.11	10 Inch Leads
GHR31040B	300	240	4.000	88	0.11	10 Inch Leads
GHR31050F	300	120	5.000	68	0.14	10 Inch Leads
GHR31050G	300	240	5.000	68	0.14	10 Inch Leads

Diameter: 0.375

Gaumer Catalog Number	Watts	Volts	Length (inches)	Watts / sq.in.	Weight (lbs.)	Features
GHR37010G	100	120	1.000	172	0.03	10 Inch Leads
GHR37010M	100	240	1.000	172	0.03	10 Inch Leads
GHR37012K	100	120	1.250	113	0.03	10 Inch Leads
GHR37012J	100	240	1.250	113	0.03	10 Inch Leads
GHR37012L	150	120	1.250	170	0.03	10 Inch Leads
GHR37012M	150	240	1.250	170	0.03	10 Inch Leads
GHR37015L	50	120	1.500	43	0.04	10 Inch Leads
GHR37015N	100	120	1.500	85	0.04	10 Inch Leads
GHR37015M	100	240	1.500	85	0.04	10 Inch Leads
GHR37015P	150	120	1.500	127	0.04	10 Inch Leads
GHR37015Q	150	240	1.500	127	0.04	10 Inch Leads
GHR37015R	200	120	1.500	170	0.04	10 Inch Leads

Cartridge Heaters

Standard Construction

Diameter: 0.375

Gaumer Catalog Number	Watts	Volts	Length (inches)	Watts / sq.in.	Weight (lbs.)	Features
GHR37015S	200	240	1.500	170	0.04	10 Inch Leads
GHR37015X	250	120	1.500	212	0.04	10 Inch Leads
GHR37015Y	250	240	1.500	212	0.04	10 Inch Leads
GHR37017E	100	120	1.750	68	0.05	10 Inch Leads
GHR37017F	200	120	1.750	136	0.05	10 Inch Leads
GHR37017G	200	240	1.750	136	0.05	10 Inch Leads
GHR37017N	200	240	1.750	136	0.05	36 Inch Leads - Internal TC
GHR37020L	50	120	2.000	28	0.05	10 Inch Leads
GHR37020BF	75	120	2.000	42	0.05	10 Inch Leads
GHR37020BG	75	240	2.000	42	0.05	10 Inch Leads
GHR37020Q	100	120	2.000	57	0.05	10 Inch Leads
GHR37020R	100	240	2.000	57	0.05	10 Inch Leads
GHR37020M	150	120	2.000	85	0.05	10 Inch Leads
GHR37020N	150	240	2.000	85	0.05	10 Inch Leads
GHR37020S	200	120	2.000	113	0.05	10 Inch Leads
GHR37020T	200	240	2.000	113	0.05	10 Inch Leads
GHR37020AQ	250	240	2.000	142	0.05	36 Inch Leads - Internal TC
GHR37020U	250	240	2.000	142	0.05	10 Inch Leads
GHR37020V	300	120	2.000	170	0.05	10 Inch Leads
GHR37020W	300	240	2.000	170	0.05	10 Inch Leads
GHR37022E	125	120	2.250	61	0.06	10 Inch Leads
GHR37022F	175	120	2.250	85	0.06	10 Inch Leads
GHR37022G	300	120	2.250	146	0.06	10 Inch Leads
GHR37022H	300	240	2.250	146	0.06	10 Inch Leads
GHR37025Z	155	240	2.500	66	0.07	10 Inch Leads
GHR37025J	250	120	2.500	106	0.07	10 Inch Leads
GHR37025T	250	240	2.500	106	0.07	36 Inch Leads - Internal TC
GHR37025K	250	240	2.500	106	0.07	10 Inch Leads
GHR37030U	100	120	3.000	34	0.08	10 Inch Leads
GHR37030V	100	240	3.000	34	0.08	10 Inch Leads
GHR37030AV	150	120	3.000	51	0.08	10 Inch Leads
GHR37030AF	200	120	3.000	68	0.08	10 Inch Leads
GHR37030Y	200	240	3.000	68	0.08	10 Inch Leads
GHR37030Z	250	120	3.000	85	0.08	10 Inch Leads
GHR37030AQ	250	240	3.000	85	0.08	36 Inch Leads - Internal TC
GHR37030AA	250	240	3.000	85	0.08	10 Inch Leads
GHR37030AB	300	120	3.000	102	0.08	10 Inch Leads
GHR37030AC	300	240	3.000	102	0.08	10 Inch Leads
GHR37030BM	350	240	3.000	119	0.08	10 Inch Leads
GHR37030AD	400	120	3.000	136	0.08	10 Inch Leads
GHR37030AE	400	240	3.000	136	0.08	10 Inch Leads
GHR37030W	500	120	3.000	170	0.08	10 Inch Leads
GHR37303AG	500	240	3.000	170	0.08	10 Inch Leads
GHR37035F	300	120	3.500	85	0.09	10 Inch Leads
GHR37035G	300	240	3.500	85	0.09	10 Inch Leads
GHR37035P	320	240	3.500	91	0.09	36 Inch Leads - Internal TC
GHR37035T	500	240	3.500	142	0.09	10 Inch Leads

Cartridge Heaters

Standard Construction

Diameter: 0.375

Gaumer Catalog Number	Watts	Volts	Length (inches)	Watts / sq.in.	Weight (lbs.)	Features
GHR37040Y	150	120	4.000	36	0.11	10 Inch Leads
GHR37040W	150	240	4.000	36	0.11	10 Inch Leads
GHR37040Z	250	120	4.000	61	0.11	10 Inch Leads
GHR37040AA	250	240	4.000	61	0.11	10 Inch Leads
GHR37040AB	300	120	4.000	73	0.11	10 Inch Leads
GHR37040AC	300	240	4.000	73	0.11	10 Inch Leads
GHR37040BH	350	240	4.000	85	0.11	10 Inch Leads
GHR37040BB	370	240	4.000	90	0.11	36 Inch Leads - Internal TC
GHR37040AD	400	120	4.000	97	0.11	10 Inch Leads
GHR37040AE	400	240	4.000	97	0.11	10 Inch Leads
GHR37040X	500	120	4.000	121	0.11	10 Inch Leads
GHR37040AF	500	240	4.000	121	0.11	10 Inch Leads
GHR37045E	300	120	4.500	64	0.12	10 Inch Leads
GHR37045F	300	240	4.500	64	0.12	10 Inch Leads
GHR37045N	420	240	4.500	89	0.12	36 Inch Leads - Internal TC
GHR37045G	500	240	4.500	106	0.12	10 Inch Leads
GHR37050V	150	120	5.000	28	0.14	10 Inch Leads
GHR37050W	150	240	5.000	28	0.14	10 Inch Leads
GHR37050BN	185	120	5.000	35	0.14	10 Inch Leads
GHR37050BP	185	240	5.000	35	0.14	10 Inch Leads
GHR37050U	300	120	5.000	57	0.14	10 Inch Leads
GHR37050X	300	240	5.000	57	0.14	10 Inch Leads
GHR37050BB	400	240	5.000	75	0.14	10 Inch Leads
GHR37050AZ	470	240	5.000	89	0.14	36 Inch Leads - Internal TC
GHR37050Y	500	120	5.000	94	0.14	10 Inch Leads
GHR37050Z	500	240	5.000	94	0.14	10 Inch Leads
GHR37050BQ	550	240	5.000	104	0.14	10 Inch Leads
GHR37050AA	750	240	5.000	142	0.14	10 Inch Leads
GHR37050AB	1000	240	5.000	189	0.14	10 Inch Leads
GHR37055J	300	240	5.500	51	0.15	10 Inch Leads
GHR37055G	525	240	5.500	89	0.15	36 Inch Leads - Internal TC
GHR37060BL	225	120	6.000	35	0.16	10 Inch Leads
GHR37060BM	225	240	6.000	35	0.16	10 Inch Leads
GHR37060R	250	120	6.000	39	0.16	10 Inch Leads
GHR37060S	250	240	6.000	39	0.16	10 Inch Leads
GHR37060AR	400	120	6.000	62	0.16	10 Inch Leads
GHR37060AQ	400	240	6.000	62	0.16	10 Inch Leads
GHR37060Z	500	120	6.000	77	0.16	10 Inch Leads
GHR37060AA	500	240	6.000	77	0.16	10 Inch Leads
GHR37060AN	575	240	6.000	89	0.16	36 Inch Leads - Internal TC
GHR37060T	600	120	6.000	93	0.16	10 Inch Leads
GHR37060U	600	240	6.000	93	0.16	10 Inch Leads
GHR37060AB	750	120	6.000	116	0.16	10 Inch Leads
GHR37065F	625	240	6.500	88	0.18	36 Inch Leads - Internal TC
GHR37070R	300	240	7.000	39	0.19	10 Inch Leads
GHR37070N	675	240	7.000	88	0.19	36 Inch Leads - Internal TC
GHR37070G	1000	240	7.000	131	0.19	10 Inch Leads

Cartridge Heaters

Standard Construction

Diameter: 0.375

Gaumer Catalog Number	Watts	Volts	Length (inches)	Watts / sq.in.	Weight (lbs.)	Features
GHR37071B	645	240	7.190	82	0.20	36 Inch Leads - Internal TC
GHR37075D	725	240	7.500	88	0.20	36 Inch Leads - Internal TC
GHR37080AP	300	120	8.000	34	0.22	10 Inch Leads
GHR37080Y	300	240	8.000	34	0.22	10 Inch Leads
GHR37080Z	600	120	8.000	68	0.22	10 Inch Leads
GHR37080AA	600	240	8.000	68	0.22	10 Inch Leads
GHR37080AL	775	240	8.000	88	0.22	36 Inch Leads - Internal TC
GHR37080AB	1000	240	8.000	113	0.22	10 Inch Leads
GHR37081C	760	240	8.190	84	0.22	36 Inch Leads - Internal TC
GHR37090F	1000	240	9.000	100	0.24	10 Inch Leads
GHR37091B	870	240	9.190	85	0.25	36 Inch Leads - Internal TC
GHR37100H	600	120	10.000	54	0.27	10 Inch Leads
GHR37100J	600	240	10.000	54	0.27	10 Inch Leads
GHR37100K	1000	240	10.000	89	0.27	10 Inch Leads
GHR37101B	980	240	10.190	86	0.28	36 Inch Leads - Internal TC
GHR37120L	750	240	12.000	55	0.32	10 Inch Leads
GHR37120M	1000	240	12.000	74	0.32	10 Inch Leads

Diameter: 0.390

Gaumer Catalog Number	Watts	Volts	Length (inches)	Watts / sq.in.	Weight (lbs.)	Features
GHR39019A	250	240	1.970	137	0.06	10 Inch Leads
GHR39031B	300	240	3.150	92	0.11	10 Inch Leads
GHR39039F	350	120	3.940	83	0.15	10 Inch Leads
GHR39039G	350	240	3.940	83	0.15	10 Inch Leads
GHR39039H	500	240	3.940	119	0.15	10 Inch Leads
GHR39047C	500	240	4.720	97	0.18	10 Inch Leads
GHR39059C	500	240	5.900	76	0.20	10 Inch Leads
GHR39068B	175	240	6.890	22	0.24	10 Inch Leads
GHR39078A	350	240	7.870	39	0.25	10 Inch Leads
GHR39078B	750	240	7.870	83	0.25	10 Inch Leads

Diameter: 0.470

Gaumer Catalog Number	Watts	Volts	Length (inches)	Watts / sq.in.	Weight (lbs.)	Features
GHR47043C-24	200	240	4.330	35	0.16	10 Inch Leads
GHR47059C-36	250	240	5.910	31	0.18	10 Inch Leads

Diameter: 0.500

Gaumer Catalog Number	Watts	Volts	Length (inches)	Watts / sq.in.	Weight (lbs.)	Features
GHR50010C	50	120	1.000	64	0.05	10 Inch Leads
GHR50012F	125	120	1.250	106	0.05	10 Inch Leads
GHR50012G	125	240	1.250	106	0.05	10 Inch Leads
GHR50012H	150	240	1.250	127	0.05	10 Inch Leads
GHR50015D	200	120	1.500	127	0.06	10 Inch Leads

Cartridge Heaters

Standard Construction

Diameter: 0.500

Gaumer Catalog Number	Watts	Volts	Length (inches)	Watts / sq.in.	Weight (lbs.)	Features
GHR50015E	200	240	1.500	127	0.06	10 Inch Leads
GHR50020Z	75	120	2.000	32	0.08	10 Inch Leads
GHR50020AA	75	240	2.000	32	0.08	10 Inch Leads
GHR50020G	200	120	2.000	85	0.08	10 Inch Leads
GHR50020H	200	240	2.000	85	0.08	10 Inch Leads
GHR50020AB	250	240	2.000	106	0.08	10 Inch Leads
GHR50020K	300	120	2.000	127	0.08	10 Inch Leads
GHR50020J	300	240	2.000	127	0.08	10 Inch Leads
GHR50020U	400	120	2.000	170	0.08	10 Inch Leads
GHR50020V	400	240	2.000	170	0.08	10 Inch Leads
GHR50022C	250	120	2.250	91	0.09	10 Inch Leads
GHR50022D	250	240	2.250	91	0.09	10 Inch Leads
GHR50025L	300	120	2.500	96	0.10	10 Inch Leads
GHR50025M	300	240	2.500	96	0.10	10 Inch Leads
GHR50025N	400	120	2.500	127	0.10	10 Inch Leads
GHR50025P	400	240	2.500	127	0.10	10 Inch Leads
GHR50025AA	500	240	2.500	159	0.10	10 Inch Leads
GHR50030AP	150	120	3.000	38	0.12	10 Inch Leads
GHR50030AQ	150	240	3.000	38	0.12	10 Inch Leads
GHR50030AE	250	120	3.000	64	0.12	10 Inch Leads
GHR50030R	250	240	3.000	64	0.12	10 Inch Leads
GHR50030S	300	120	3.000	76	0.12	10 Inch Leads
GHR50030T	300	240	3.000	76	0.12	10 Inch Leads
GHR50030U	400	120	3.000	102	0.12	10 Inch Leads
GHR50030V	400	240	3.000	102	0.12	10 Inch Leads
GHR50030W	500	240	3.000	127	0.12	10 Inch Leads
GHR50035N	420	240	3.500	89	0.14	36 Inch Leads - Internal TC
GHR50035E	500	120	3.500	106	0.14	10 Inch Leads
GHR50035F	500	240	3.500	106	0.14	10 Inch Leads
GHR50040AX	180	120	4.000	33	0.16	10 Inch Leads
GHR50040AY	180	240	4.000	33	0.16	10 Inch Leads
GHR50040AA	250	240	4.000	45	0.16	10 Inch Leads
GHR50040AB	300	120	4.000	55	0.16	10 Inch Leads
GHR50040V	300	240	4.000	55	0.16	10 Inch Leads
GHR50040S	350	240	4.000	64	0.16	10 Inch Leads
GHR50040AZ	380	240	4.000	69	0.16	36 Inch Leads - Internal TC
GHR50040W	400	120	4.000	73	0.16	10 Inch Leads
GHR50040X	400	240	4.000	73	0.16	10 Inch Leads
GHR50040AL	480	240	4.000	87	0.16	36 Inch Leads - Internal TC
GHR50040T	500	120	4.000	91	0.16	10 Inch Leads
GHR50040BB	500	240	4.000	91	0.16	36 Inch Leads
GHR50040Y	500	240	4.000	91	0.16	10 Inch Leads
GHR50040BA	500	240	4.000	91	0.16	36 Inch Leads
GHR50040Z	750	240	4.000	136	0.16	10 Inch Leads
GHR50045F	500	120	4.500	80	0.18	10 Inch Leads
GHR50045G	500	240	4.500	80	0.18	10 Inch Leads
GHR50045J	550	240	4.500	88	0.18	36 Inch Leads - Internal TC

Cartridge Heaters

Standard Construction

Diameter: 0.500

Gaumer Catalog Number	Watts	Volts	Length (inches)	Watts / sq.in.	Weight (lbs.)	Features
GHR50045M	575	240	4.500	92	0.18	36 Inch Leads
GHR50045N	575	240	4.500	92	0.18	36 Inch Leads
GHR50050M	200	120	5.000	28	0.20	10 Inch Leads
GHR50050N	200	240	5.000	28	0.20	10 Inch Leads
GHR50050AG	300	240	5.000	42	0.20	10 Inch Leads
GHR50050AH	350	120	5.000	50	0.20	10 Inch Leads
GHR50050AJ	350	240	5.000	50	0.20	10 Inch Leads
GHR50050U	400	240	5.000	57	0.20	10 Inch Leads
GHR50050P	500	120	5.000	71	0.20	10 Inch Leads
GHR50050R	500	240	5.000	71	0.20	10 Inch Leads
GHR50050AY	500	240	5.000	71	0.20	36 Inch Leads - Internal TC
GHR50050AF	625	240	5.000	88	0.20	36 Inch Leads - Internal TC
GHR50050BB	650	240	5.000	92	0.20	36 Inch Leads
GHR50050BA	650	240	5.000	92	0.20	36 Inch Leads
GHR50050Q	750	120	5.000	106	0.20	10 Inch Leads
GHR50050S	750	240	5.000	106	0.20	10 Inch Leads
GHR50050AZ	800	240	5.000	113	0.20	10 Inch Leads
GHR50050T	1000	240	5.000	142	0.20	10 Inch Leads
GHR50055G	700	240	5.500	89	0.22	36 Inch Leads - Internal TC
GHR50055P	725	240	5.500	92	0.22	36 Inch Leads
GHR50055N	725	240	5.500	92	0.22	36 Inch Leads
GHR50055E	750	240	5.500	96	0.22	10 Inch Leads
GHR50060V	300	120	6.000	35	0.23	10 Inch Leads
GHR50060W	300	240	6.000	35	0.23	10 Inch Leads
GHR50060X	500	240	6.000	58	0.23	10 Inch Leads
GHR50060BY	600	240	6.000	69	0.23	36 Inch Leads - Internal TC
GHR50060R	750	120	6.000	87	0.23	10 Inch Leads
GHR50060Z	750	240	6.000	87	0.23	10 Inch Leads
GHR50060AQ	775	240	6.000	90	0.23	36 Inch Leads - Internal TC
GHR50060CB	800	240	6.000	93	0.23	36 Inch Leads
GHR50060CA	800	240	6.000	93	0.23	36 Inch Leads
GHR50060S	1000	120	6.000	116	0.23	10 Inch Leads
GHR50060BZ	1000	240	6.000	116	0.23	10 Inch Leads
GHR50060AZ	1500	240	6.000	174	0.23	10 Inch Leads
GHR50065D	850	240	6.500	90	0.26	36 Inch Leads - Internal TC
GHR50065K	875	240	6.500	93	0.26	36 Inch Leads
GHR50065L	875	240	6.500	93	0.26	36 Inch Leads
GHR50065F	1000	240	6.500	106	0.26	10 Inch Leads
GHR50070R	500	240	7.000	49	0.27	10 Inch Leads
GHR50070F	600	120	7.000	59	0.27	10 Inch Leads
GHR50070G	600	240	7.000	59	0.27	10 Inch Leads
GHR50070Z	700	240	7.000	69	0.27	36 Inch Leads - Internal TC
GHR50070N	900	240	7.000	88	0.27	36 Inch Leads - Internal TC
GHR50070AA	950	240	7.000	93	0.27	36 Inch Leads
GHR50070AB	950	240	7.000	93	0.27	36 Inch Leads
GHR50070H	1000	240	7.000	98	0.27	10 Inch Leads
GHR50075D	975	240	7.500	89	0.30	36 Inch Leads - Internal TC

Cartridge Heaters

Standard Construction

Diameter: 0.500

Gaumer Catalog Number	Watts	Volts	Length (inches)	Watts / sq.in.	Weight (lbs.)	Features
GHR50075J	1025	240	7.500	93	0.30	36 Inch Leads
GHR50075H	1025	240	7.500	93	0.30	36 Inch Leads
GHR50080BN	400	120	8.000	34	0.31	10 Inch Leads
GHR50080BP	400	240	8.000	34	0.31	10 Inch Leads
GHR50080U	500	120	8.000	42	0.31	10 Inch Leads
GHR50080Y	500	240	8.000	42	0.31	10 Inch Leads
GHR50080V	750	120	8.000	64	0.31	10 Inch Leads
GHR50080W	750	240	8.000	64	0.31	10 Inch Leads
GHR50080BQ	820	240	8.000	70	0.31	36 Inch Leads - Internal TC
GHR50080X	1000	120	8.000	85	0.31	10 Inch Leads
GHR50080Z	1000	240	8.000	85	0.31	10 Inch Leads
GHR50080AT	1050	240	8.000	89	0.31	36 Inch Leads - Internal TC
GHR50080BT	1100	240	8.000	93	0.31	36 Inch Leads
GHR50080BS	1100	240	8.000	93	0.31	36 Inch Leads
GHR50080BR	1200	240	8.000	102	0.31	10 Inch Leads
GHR50080AA	1500	240	8.000	127	0.31	10 Inch Leads
GHR50085G	1100	240	8.500	88	0.33	36 Inch Leads - Internal TC
GHR50085M	1175	240	8.500	94	0.33	36 Inch Leads
GHR50085N	1175	240	8.500	94	0.33	36 Inch Leads
GHR50090G	500	240	9.000	37	0.35	10 Inch Leads
GHR50090V	920	240	9.000	69	0.35	36 Inch Leads - Internal TC
GHR50090H	1000	240	9.000	75	0.35	10 Inch Leads
GHR50090W	1200	240	9.000	90	0.35	36 Inch Leads
GHR50090P	1200	240	9.000	90	0.35	36 Inch Leads - Internal TC
GHR50090X	1200	240	9.000	90	0.35	36 Inch Leads
GHR50095B	1250	240	9.500	88	0.37	36 Inch Leads - Internal TC
GHR50100K	500	120	10.000	34	0.39	10 Inch Leads
GHR50100M	500	240	10.000	33	0.39	10 Inch Leads
GHR50100P	1000	120	10.000	67	0.39	10 Inch Leads
GHR50100Q	1000	240	10.000	67	0.39	10 Inch Leads
GHR50100AX	1030	240	10.000	69	0.39	36 Inch Leads - Internal TC
GHR50100AJ	1325	240	10.000	89	0.39	36 Inch Leads - Internal TC
GHR50100AZ	1350	240	10.000	91	0.39	36 Inch Leads
GHR50100BA	1350	240	10.000	91	0.39	36 Inch Leads
GHR50100R	1500	240	10.000	101	0.39	10 Inch Leads
GHR50100N	2000	240	10.000	134	0.39	10 Inch Leads
GHR500105A	1400	240	10.500	89	0.41	36 Inch Leads - Internal TC
GHR50110H	1140	240	11.000	69	0.43	36 Inch Leads - Internal TC
GHR50110J	1500	240	11.000	91	0.43	36 Inch Leads
GHR50110K	1500	240	11.000	91	0.43	36 Inch Leads
GHR50115B	1525	240	11.500	88	0.45	36 Inch Leads - Internal TC
GHR5012AF	600	120	12.000	33	0.47	10 Inch Leads
GHR5012AG	600	240	12.000	34	0.47	10 Inch Leads
GHR50120K	1000	120	12.000	55	0.47	10 Inch Leads
GHR50120L	1000	240	12.000	55	0.47	10 Inch Leads
GHR50120AH	1250	240	12.000	69	0.47	36 Inch Leads - Internal TC
GHR50120M	1500	240	12.000	83	0.47	10 Inch Leads

Cartridge Heaters

Standard Construction

Diameter: 0.500

Gaumer Catalog Number	Watts	Volts	Length (inches)	Watts / sq.in.	Weight (lbs.)	Features
GHR50120AK	1650	240	12.000	91	0.47	36 Inch Leads
GHR50120AJ	1650	240	12.000	91	0.47	36 Inch Leads
GHR50120N	2000	240	12.000	111	0.47	10 Inch Leads
GHR50130J	1350	240	13.000	69	0.51	36 Inch Leads - Internal TC
GHR50140C	1000	240	14.000	47	0.55	10 Inch Leads
GHR50140V	1460	240	14.000	69	0.55	36 Inch Leads - Internal TC
GHR50150K	1000	240	15.000	44	0.58	10 Inch Leads
GHR50150L	1500	240	15.000	66	0.58	10 Inch Leads
GHR50150S	1570	240	15.000	69	0.58	36 Inch Leads - Internal TC
GHR50150T	2050	240	15.000	90	0.58	36 Inch Leads
GHR50150U	2050	240	15.000	90	0.58	36 Inch Leads
GHR50160T	800	120	16.000	33	0.63	10 Inch Leads
GHR50160U	800	240	16.000	33	0.63	10 Inch Leads
GHR50160N	1000	240	16.000	41	0.63	10 Inch Leads
GHR50160V	1680	240	16.000	69	0.63	36 Inch Leads - Internal TC
GHR50170E	1780	240	17.000	69	0.67	36 Inch Leads - Internal TC
GHR50180Q	1900	240	18.000	69	0.70	36 Inch Leads - Internal TC
GHR50180S	2500	240	18.000	91	0.70	36 Inch Leads
GHR50180R	2500	240	18.000	91	0.70	36 Inch Leads
GHR50190F	2010	240	19.000	69	0.70	36 Inch Leads - Internal TC
GHR50200N	2110	240	20.000	69	0.78	36 Inch Leads - Internal TC
GHR50210F	2220	240	21.000	69	0.83	36 Inch Leads - Internal TC
GHR50220G	2330	240	22.000	69	0.88	36 Inch Leads - Internal TC
GHR50230W	2400	240	23.000	68	0.93	36 Inch Leads - Internal TC
GHR50240W	2400	240	24.000	65	0.97	36 Inch Leads - Internal TC
GHR50250F	2400	240	25.000	62	1.00	36 Inch Leads - Internal TC
GHR50260H	2400	240	26.000	60	1.02	36 Inch Leads - Internal TC
GHR50270D	2400	240	27.000	58	1.06	36 Inch Leads - Internal TC
GHR50280F	2400	240	28.000	56	1.10	36 Inch Leads - Internal TC
GHR50290D	2400	240	29.000	54	1.14	36 Inch Leads - Internal TC
GHR50300G	2400	240	30.000	52	1.18	36 Inch Leads - Internal TC

Diameter: 0.625

Gaumer Catalog Number	Watts	Volts	Length (inches)	Watts / sq.in.	Weight (lbs.)	Features
GHR62015A	200	120	1.500	102	0.09	10 Inch Leads
GHR62020F	100	120	2.000	34	0.11	10 Inch Leads
GHR62020G	100	240	2.000	34	0.11	10 Inch Leads
GHR62020C	200	120	2.000	68	0.11	10 Inch Leads
GHR62020D	200	240	2.000	68	0.11	10 Inch Leads
GHR62020H	300	240	2.000	102	0.11	10 Inch Leads
GHR62022A	250	120	2.250	73	0.14	10 Inch Leads
GHR62022B	250	240	2.250	73	0.14	10 Inch Leads
GHR62030R	200	120	3.000	41	0.18	10 Inch Leads
GHR62030S	200	240	3.000	41	0.18	10 Inch Leads
GHR62030E	250	120	3.000	51	0.18	10 Inch Leads
GHR62030F	250	240	3.000	51	0.18	10 Inch Leads

Cartridge Heaters

Standard Construction

Diameter: 0.625

Gaumer Catalog Number	Watts	Volts	Length (inches)	Watts / sq.in.	Weight (lbs.)	Features
GHR62030G	400	120	3.000	82	0.18	10 Inch Leads
GHR62030J	400	240	3.000	82	0.18	10 Inch Leads
GHR62030K	500	120	3.000	102	0.18	10 Inch Leads
GHR62030L	500	240	3.000	102	0.18	10 Inch Leads
GHR62037B	525	120	3.750	82	0.23	10 Inch Leads
GHR62037C	525	240	3.750	82	0.23	10 Inch Leads
GHR62040AH	250	120	4.000	36	0.24	10 Inch Leads
GHR62040AJ	250	240	4.000	36	0.24	10 Inch Leads
GHR62040E	500	120	4.000	73	0.24	10 Inch Leads
GHR62040F	500	240	4.000	73	0.24	10 Inch Leads
GHR62040AK	700	240	4.000	102	0.24	10 Inch Leads
GHR62040H	750	240	4.000	109	0.24	10 Inch Leads
GHR62040G	1000	240	4.000	146	0.24	10 Inch Leads
GHR62040P	500	120	4.500	64	0.27	48 Inch Leadwires
GHR62040Q	650	120	4.500	83	0.27	48 Inch Leadwires
GHR62050V	300	120	5.000	34	0.30	10 Inch Leads
GHR62050W	300	240	5.000	34	0.30	10 Inch Leads
GHR62050G	500	120	5.000	57	0.30	10 Inch Leads
GHR62050H	500	240	5.000	57	0.30	10 Inch Leads
GHR62050X	620	240	5.000	70	0.30	36 Inch Leads - Internal TC
GHR62050J	750	240	5.000	85	0.30	10 Inch Leads
GHR62050K	1000	240	5.000	113	0.30	10 Inch Leads
GHR62053A	800	240	5.380	84	0.32	10 Inch Leads
GHR62060W	375	120	6.000	35	0.36	10 Inch Leads
GHR62060X	375	240	6.000	35	0.36	10 Inch Leads
GHR62060H	500	240	6.000	46	0.36	10 Inch Leads
GHR62060J	750	240	6.000	69	0.36	10 Inch Leads
GHR62060Y	750	240	6.000	69	0.36	36 Inch Leads - Internal TC
GHR62060K	1000	240	6.000	93	0.36	10 Inch Leads
GHR62070P	880	240	7.000	69	0.42	36 Inch Leads - Internal TC
GHR62070D	1000	120	7.000	78	0.42	10 Inch Leads
GHR62070F	1000	240	7.000	78	0.42	10 Inch Leads
GHR62070E	1500	240	7.000	118	0.42	10 Inch Leads
GHR62080AB	500	120	8.000	34	0.48	10 Inch Leads
GHR62080AC	500	240	8.000	34	0.48	10 Inch Leads
GHR62080J	1000	120	8.000	68	0.48	10 Inch Leads
GHR62080H	1000	240	8.000	68	0.48	10 Inch Leads
GHR62080AD	1020	240	8.000	69	0.48	36 Inch Leads - Internal TC
GHR62080AE	1200	240	8.000	82	0.48	10 Inch Leads
GHR62080K	1500	240	8.000	102	0.48	10 Inch Leads
GHR62090B	1000	240	9.000	60	0.57	10 Inch Leads
GHR62090K	1160	240	9.000	70	0.57	36 Inch Leads - Internal TC
GHR62090L	1400	240	9.000	84	0.57	10 Inch Leads
GHR62090C	1500	240	9.000	90	0.57	10 Inch Leads
GHR62100S	650	120	10.000	35	0.60	10 Inch Leads
GHR62100T	650	240	10.000	35	0.60	10 Inch Leads
GHR62100F	1000	240	10.000	54	0.60	10 Inch Leads

Cartridge Heaters

Standard Construction

Diameter: 0.625

Gaumer Catalog Number	Watts	Volts	Length (inches)	Watts / sq.in.	Weight (lbs.)	Features
GHR62100U	1300	240	10.000	70	0.60	36 Inch Leads - Internal TC
GHR62100G	1500	240	10.000	80	0.60	10 Inch Leads
GHR62100E	2000	240	10.000	107	0.60	10 Inch Leads
GHR62105B	1380	240	10.500	70	0.63	48 Inch Leadwires
GHR62110E	1430	240	11.000	69	0.66	36 Inch Leads - Internal TC
GHR62120Q	775	120	12.000	34	0.72	10 Inch Leads
GHR62120R	775	240	12.000	34	0.72	10 Inch Leads
GHR62120E	1000	240	12.000	44	0.72	10 Inch Leads
GHR62120C	1500	240	12.000	66	0.72	10 Inch Leads
GHR62120S	1570	240	12.000	70	0.72	36 Inch Leads - Internal TC
GHR62120D	2000	240	12.000	89	0.72	10 Inch Leads
GHR62130E	1700	240	13.000	69	0.78	36 Inch Leads - Internal TC
GHR62140M	900	240	14.000	34	0.83	10 Inch Leads
GHR62140G	1500	240	14.000	57	0.83	10 Inch Leads
GHR62140N	1840	240	14.000	69	0.83	36 Inch Leads - Internal TC
GHR62140P	2000	240	14.000	75	0.83	10 Inch Leads
GHR62140H	2400	240	14.000	91	0.83	10 Inch Leads
GHR62150M	1980	240	15.000	70	0.90	36 Inch Leads - Internal TC
GHR62160N	1000	240	16.000	33	0.96	10 Inch Leads
GHR62160V	1050	120	16.000	35	0.96	10 Inch Leads
GHR62160W	1050	240	16.000	35	0.96	10 Inch Leads
GHR62160P	2110	240	16.000	69	0.96	10 Inch Leads
GHR62160X	2110	240	16.000	69	0.96	36 Inch Leads - Internal TC
GHR62170C	2250	240	17.000	69	0.96	36 Inch Leads - Internal TC
GHR62180L	2390	240	18.000	70	1.08	36 Inch Leads - Internal TC
GHR62190D	2525	240	19.000	70	1.10	36 Inch Leads - Internal TC
GHR62200H	2660	240	20.000	70	1.20	36 Inch Leads - Internal TC
GHR62210A	2800	240	21.000	70	1.26	36 Inch Leads - Internal TC
GHR62220A	2930	240	22.000	69	1.30	36 Inch Leads - Internal TC
GHR62230A	3070	240	23.000	70	1.38	36 Inch Leads - Internal TC
GHR62240G	1000	240	24.000	22	1.44	10 Inch Leads
GHR62240H	1500	240	24.000	33	1.44	10 Inch Leads
GHR62240J	2000	240	24.000	44	1.44	10 Inch Leads
GHR62240L	3200	240	24.000	69	1.44	36 Inch Leads - Internal TC
GHR62250B	3340	240	25.000	69	1.50	36 Inch Leads - Internal TC
GHR62260F	3480	240	26.000	70	1.60	36 Inch Leads - Internal TC
GHR62270C	3620	240	27.000	70	1.70	36 Inch Leads - Internal TC
GHR62280A	3750	240	28.000	69	1.80	36 Inch Leads - Internal TC
GHR62290B	3900	240	29.000	70	1.90	36 Inch Leads - Internal TC
GHR62300J	4030	240	30.000	70	2.00	36 Inch Leads - Internal TC
GHR62320H	4300	240	32.000	70	2.10	36 Inch Leads - Internal TC
GHR62360C	4840	240	36.000	69	2.30	36 Inch Leads - Internal TC

Diameter: 0.750

Gaumer Catalog Number	Watts	Volts	Length (inches)	Watts / sq.in.	Weight (lbs.)	Features
GHR75020A	200	120	2.000	57	0.22	10 Inch Leads

Cartridge Heaters

Standard Construction

Diameter: 0.750

Gaumer Catalog Number	Watts	Volts	Length (inches)	Watts / sq.in.	Weight (lbs.)	Features
GHR75020B	200	240	2.000	57	0.22	10 Inch Leads
GHR75020C	300	240	2.000	85	0.22	10 Inch Leads
GHR75030H	225	240	3.000	38	0.26	10 Inch Leads
GHR75030A	400	240	3.000	68	0.26	10 Inch Leads
GHR75030G	500	120	3.000	85	0.26	10 Inch Leads
GHR75030B	500	240	3.000	85	0.26	10 Inch Leads
GHR75040T	300	120	4.000	36	0.34	10 Inch Leads
GHR75040U	300	240	4.000	36	0.34	10 Inch Leads
GHR75040D	500	120	4.000	61	0.34	10 Inch Leads
GHR75040E	500	240	4.000	61	0.34	10 Inch Leads
GHR75040F	750	240	4.000	91	0.34	10 Inch Leads
GHR75040G	1000	240	4.000	121	0.34	10 Inch Leads
GHR75050L	375	120	5.000	35	0.43	10 Inch Leads
GHR75050M	375	240	5.000	35	0.43	10 Inch Leads
GHR75050E	500	240	5.000	47	0.43	10 Inch Leads
GHR75050G	1000	120	5.000	94	0.43	10 Inch Leads
GHR75050F	1000	240	5.000	94	0.43	10 Inch Leads
GHR75060N	450	120	6.000	35	0.51	10 Inch Leads
GHR75060P	450	240	6.000	35	0.51	10 Inch Leads
GHR75060C	500	120	6.000	39	0.51	10 Inch Leads
GHR75060F	500	240	6.000	39	0.51	10 Inch Leads
GHR75060D	750	240	6.000	58	0.51	10 Inch Leads
GHR75060G	1000	240	6.000	77	0.51	10 Inch Leads
GHR75060Q	1200	240	6.000	93	0.51	10 Inch Leads
GHR75060E	1500	240	6.000	116	0.51	10 Inch Leads
GHR75070A	500	120	7.000	33	0.60	10 Inch Leads
GHR75070B	500	240	7.000	33	0.60	10 Inch Leads
GHR75070C	1000	240	7.000	65	0.60	10 Inch Leads
GHR75070D	1500	240	7.000	98	0.60	10 Inch Leads
GHR75080W	600	120	8.000	34	0.68	10 Inch Leads
GHR75080X	600	240	8.000	34	0.68	10 Inch Leads
GHR75080G	750	120	8.000	42	0.68	10 Inch Leads
GHR75080H	750	240	8.000	42	0.68	10 Inch Leads
GHR75080L	1000	240	8.000	57	0.68	10 Inch Leads
GHR75080J	1500	240	8.000	85	0.68	10 Inch Leads
GHR75080K	2000	240	8.000	113	0.68	10 Inch Leads
GHR75090D	1800	240	9.000	90	0.77	10 Inch Leads
GHR75100P	800	120	10.000	36	0.85	10 Inch Leads
GHR75100Q	800	240	10.000	36	0.85	10 Inch Leads
GHR75100B	1000	240	10.000	45	0.85	10 Inch Leads
GHR75100C	1500	240	10.000	67	0.85	10 Inch Leads
GHR75100R	1600	240	10.000	72	0.85	10 Inch Leads
GHR75100D	2000	240	10.000	89	0.85	10 Inch Leads
GHR75120R	950	120	12.000	35	1.02	10 Inch Leads
GHR75120S	950	240	12.000	35	1.02	10 Inch Leads
GHR75120C	1000	240	12.000	37	1.02	10 Inch Leads
GHR75120D	1500	240	12.000	55	1.02	10 Inch Leads

Cartridge Heaters Standard Construction

Diameter: 0.750

Gaumer Catalog Number	Watts	Volts	Length (inches)	Watts / sq.in.	Weight (lbs.)	Features
GHR75120E	2000	240	12.000	74	1.02	10 Inch Leads
GHR75140J	1100	240	14.000	35	1.19	10 Inch Leads
GHR75140K	2200	240	14.000	69	1.19	10 Inch Leads
GHR75160F	1250	240	16.000	34	1.36	10 Inch Leads
GHR75240L	1000	240	24.000	18	2.04	10 Inch Leads
GHR75240M	1500	240	24.000	27	2.04	10 Inch Leads
GHR75240N	2000	240	24.000	36	2.04	10 Inch Leads

Diameter: 0.780

Gaumer Catalog Number	Watts	Volts	Length (inches)	Watts / sq.in.	Weight (lbs.)	Features
GHR78078C	1000	240	7.870	55	0.75	10 Inch Leads
GHR78078F	1500	240	7.870	83	0.75	10 Inch Leads
GHR78157B-24	3200	240	15.750	86	1.50	10 Inch Leads

Diameter: 1.000

Gaumer Catalog Number	Watts	Volts	Length (inches)	Watts / sq.in.	Weight (lbs.)	Features
GHR10035E	600	240	3.000	76	0.50	36 Inch Leads
GHR10035A	600	240	3.000	76	0.50	36 Inch Leads
GHR10035D	600	240	3.000	76	0.50	36 Inch Leads

Air Cartridge Heaters Deluxe Construction

APPLICATIONS

Suitable for heating low pressure compressed air to 500° F. Ideal for laboratory use or as a replacement item on OEM equipment.

STANDARD FEATURES

Heater utilizes a nichrome wire wrapped around a ceramic core and housed inside of a Type 304 Stainless Steel shell.

SPECIAL FEATURES AND OPTIONS

Unit is available with internal thermocouples for sensing either heater temperature, air outlet temperature, or both.

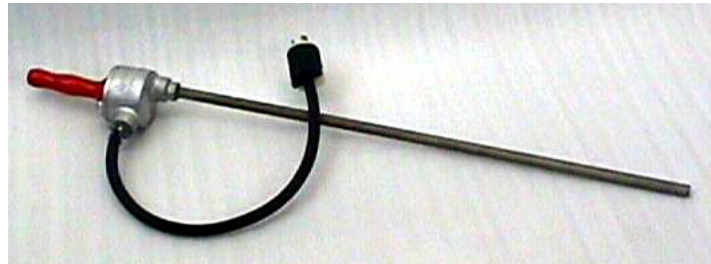


Diam. (in)	Length (in)	Watts	Volts	Watts sq.in	Gaumer Catalog No.	Termination
0.500	5.000	400	120	57	GAH50050R	36 Inch Leadwires
0.500	5.000	400	120	57	GAH50050S	3 pin connector
0.500	5.000	400	240	57	GAH50050T	36 Inch Leadwires
0.500	5.000	600	120	85	GAH50050V	36 Inch Leadwires
0.500	5.000	600	120	85	GAH50050W	3 pin connector
0.500	5.000	600	240	85	GAH50050Y	3 pin connector
0.500	5.000	600	240	85	GAH50050X	36 Inch Leadwires

Stud Bolt Heater Type GBH

APPLICATIONS

For heating extruder barrels, plastic injection machine barrels and dies, blow molding machines, kettles, and other applications where even heat is required, the surface is cylindrical, and the desired surface temperature is less than 500°F.



STANDARD FEATURES

- F Flexible leadwires are fiberglass insulated and covered with 12 inch long metal braid. Preferred on small diameter applications.

Stud Bolt Heater Type GBH

Catalog Number	KW	Voltage	Diameter	Length	Sheath Length	Handle Length
GBH-540223-2	0.845	240	0.565	14	10	2.75
GBH-540224-2	1.35	240	0.565	20	16	2.75
GBH-540225-2	1.85	240	0.565	26	22	2.75
GBH-540058-2	2.36	240	0.565	23	19	2.75
GBH-540092-2	2.865	240	0.565	38	34	2.75
GBH-540180-1	0.27	120	0.565	7	3	2.75
GBH-540181-1	0.44	120	0.565	9	5	2.75
GBH-540042-1	0.62	120	0.565	11	7	2.75
GBH-540079-1	0.79	120	0.565	13	9	2.75
GBH-540182-1	0.96	120	0.565	15	11	2.75
GBH-540184-1	1.14	120	0.565	17	13	2.75
GBH-540185-1	1.31	120	0.565	19	15	2.75
GBH-540116-1	1.5	120	0.565	21	17	2.75
GBH-540186-1	1.66	120	0.565	23	19	2.75
GBH-540188-1	1.85	120	0.565	25	21	2.75
GBH-540183-2	0.96	240	0.565	15	11	2.75

Stud Bolt Heater

Type GBH

Catalog Number	KW	Voltage	Diameter	Length	Sheath Length	Handle Length
GBH-540018-2	1.14	240	0.565	17	13	2.75
GBH-540115-2	1.31	240	0.565	19	15	2.75
GBH-540076-2	1.5	240	0.565	21	17	2.75
GBH-540187-2	1.66	240	0.565	23	19	2.75
GBH-540136-2	1.85	240	0.565	25	21	2.75
GBH-540189-2	2.015	240	0.565	27	23	2.75
GBH-540190-2	2.2	240	0.565	29	25	2.75
GBH-540191-2	2.375	240	0.565	31	27	2.75
GBH-540192-2	2.54	240	0.565	33	29	2.75
GBH-540193-2	2.8	240	0.565	36	32	2.75
GBH-540203-1	1.215	120	0.781	14	10	2.75
GBH-540112-1	1.46	120	0.781	16	12	2.75
GBH-540113-1	1.7	120	0.781	18	14	2.75
GBH-540151-1	1.96	120	0.781	20	16	2.75
GBH-540152-1	0.22	120	0.781	22	18	2.75
GBH-540154-1	2.43	120	0.781	24	20	2.75
GBH-540155-1	2.68	120	0.781	26	22	2.75
GBH-540157-1	2.915	120	0.781	28	24	2.75
GBH-540159-1	3.16	120	0.781	30	26	2.75
GBH-540160-1	3.4	120	0.781	32	28	2.75
GBH-540162-1	3.65	120	0.781	34	30	2.75
GBH-540164-1	3.9	120	0.781	36	32	2.75
GBH-540111-2	1.215	240	0.781	14	10	2.75
GBH-540043-2	1.46	240	0.781	16	12	2.75
GBH-540040-2	1.7	240	0.781	18	14	2.75
GBH-540114-2	1.96	240	0.781	20	16	2.75
GBH-540153-2	2.2	240	0.781	22	18	2.75
GBH-540078-2	2.43	240	0.781	24	20	2.75
GBH-540156-2	2.68	240	0.781	26	22	2.75
GBH-540158-2	2.915	240	0.781	28	24	2.75
GBH-540051-2	3.16	240	0.781	30	26	2.75
GBH-540161-2	3.4	240	0.781	32	28	2.75
GBH-540163-2	3.65	240	0.781	34	30	2.75
GBH-540019-2	3.9	240	0.781	36	32	2.75
GBH-540165-2	4.14	240	0.781	38	34	2.75
GBH-540166-2	4.375	240	0.781	40	36	2.75
GBH-540015-2	4.625	240	0.781	42	38	2.75
GBH-540093-2	4.86	240	0.781	44	40	2.75
GBH-540077-2	5.11	240	0.781	46	42	2.75
GBH-540039-2	5.35	240	0.781	48	44	2.75

Stud Bolt Heater

Type GBH

Catalog Number	KW	Voltage	Diameter	Length	Sheath Length	Handle Length
GBH-540167-2	5.59	240	0.781	50	46	2.75
GBH-540052-2	6.075	240	0.781	54	50	2.75
GBH-540168-2	0.96	240	0.781	10	6	2.75
GBH-540169-2	2.55	240	0.781	25	21	2.75
GBH-540050-2	2.67	240	0.813	26	22	2.75
GBH-540118-2	3.4	240	0.813	32	28	2.75
GBH-540060-2	4.125	240	0.813	38	34	2.75
GBH-540053-2	4.85	240	0.813	44	40	2.75
GBH-540054-2	5.58	240	0.813	50	46	2.75
GBH-540049-2	6.305	240	0.813	56	52	2.75
GBH-540117-2	7.035	240	0.813	62	58	2.75
GBH-540205-2	7.76	240	0.813	68	64	2.75
GBH-540207-2	8.61	240	0.813	75	71	2.75
GBH-540209-2	4.97	240	1.188	32	28	2.75
GBH-540210-2	6.025	240	1.188	38	34	2.75
GBH-540119-2	7.09	240	1.188	44	40	2.75
GBH-540212-2	8.15	240	1.188	50	46	2.75
GBH-540214-2	9.215	240	1.188	56	52	2.75
GBH-540215-2	10.275	240	1.188	60	56	2.75
GBH-540217-2	11.34	240	1.188	68	64	2.75
GBH-540219-2	12.58	240	1.188	75	71	2.75
GBH-200001-1	0.825	120	0.438	19.25	12	6
GBH-200002-1	1.24	120	0.438	25.25	18	6
GBH-200003-1	1.65	120	0.438	31.25	24	6
GBH-200004-1	2.475	120	0.438	43.25	36	6
GBH-200005-1	1.05	120	0.553	19.25	12	6
GBH-200006-1	1.56	120	0.553	25.25	18	6
GBH-200007-1	2.085	120	0.553	31.25	24	6
GBH-200008-1	3.125	120	0.553	43.25	36	6
GBH-200056-1	4.175	120	0.553	61.25	48	12
GBH-200009-1	1.3	120	0.688	19.25	12	6
GBH-200010-1	1.95	120	0.688	25.25	18	6
GBH-200011-1	2.6	120	0.688	31.25	24	6
GBH-200012-1	3.9	120	0.688	43.25	36	6
GBH-200048-1	5.185	120	0.688	61.25	48	12
GBH-200054-1	6.485	120	0.688	73.25	60	12
GBH-200013-1	1.535	120	0.813	19.25	12	6
GBH-200014-1	2.3	120	0.813	25.25	18	6
GBH-200015-1	3.065	120	0.813	31.25	24	6
GBH-200016-1	4.6	120	0.813	43.25	36	6

Stud Bolt Heater

Type GBH

Catalog Number	KW	Voltage	Diameter	Length	Sheath Length	Handle Length
GBH-200046-1	6.135	120	0.813	58.25	48	9
GBH-200053-1	7.665	120	0.813	73.25	60	12
GBH-200017-1	1.77	120	0.938	19.25	12	6
GBH-200018-1	2.65	120	0.938	25.25	18	6
GBH-200019-1	3.54	120	0.938	31.25	24	6
GBH-200020-1	5.3	120	0.938	43.25	36	6
GBH-200049-1	7.075	120	0.938	61.25	48	12
GBH-200055-1	8.85	120	0.938	73.25	60	12
GBH-200021-1	1.975	120	1.047	22.25	12	9
GBH-200022-1	2.96	120	1.047	28.25	18	9
GBH-200023-1	3.95	120	1.047	34.25	24	9
GBH-200024-1	5.925	120	1.047	46.25	36	9
GBH-200025-1	7.9	120	1.047	58.25	48	9
GBH-200047-1	9.87	120	1.047	70.25	60	9
GBH-200026-1	4.995	120	1.324	34.5	24.25	9
GBH-200027-1	7.49	120	1.324	46.5	36.25	9
GBH-200028-1	9.985	120	1.324	58.5	48.25	9
GBH-200029-1	12.49	120	1.324	70.5	60.25	9
GBH-200001-2	0.825	240	0.438	19.25	12	6
GBH-200002-2	1.24	240	0.438	25.25	18	6
GBH-200003-2	1.65	240	0.438	31.25	24	6
GBH-200004-2	2.475	240	0.438	43.25	36	6
GBH-200005-2	1.05	240	0.553	19.25	12	6
GBH-200006-2	1.56	240	0.553	25.25	18	6
GBH-200007-2	2.085	240	0.553	31.25	24	6
GBH-200008-2	3.125	240	0.553	43.25	36	6
GBH-200056-2	4.175	240	0.553	61.25	48	12
GBH-200009-2	1.3	240	0.688	19.25	12	6
GBH-200010-2	1.95	240	0.688	25.25	18	6
GBH-200011-2	2.6	240	0.688	31.25	24	6
GBH-200012-2	3.9	240	0.688	43.25	36	6
GBH-200048-2	5.185	240	0.688	61.25	48	12
GBH-200054-2	6.485	240	0.688	73.25	60	12
GBH-200013-2	1.535	240	0.813	19.25	12	6
GBH-200014-2	2.3	240	0.813	25.25	18	6
GBH-200015-2	3.065	240	0.813	31.25	24	6
GBH-200016-2	4.6	240	0.813	43.25	36	6
GBH-200046-2	6.135	240	0.813	58.25	48	9
GBH-200053-2	7.665	240	0.813	73.25	60	12
GBH-200017-2	1.77	240	0.938	19.25	12	6

Stud Bolt Heater

Type GBH

Catalog Number	KW	Voltage	Diameter	Length	Sheath Length	Handle Length
GBH-200018-2	2.65	240	0.938	25.25	18	6
GBH-200019-2	3.54	240	0.938	31.25	24	6
GBH-200020-2	5.3	240	0.938	43.25	36	6
GBH-200049-2	7.075	240	0.938	61.25	48	12
GBH-200055-2	8.85	240	0.938	73.25	60	12
GBH-200021-2	1.975	240	1.047	22.25	12	9
GBH-200022-2	2.96	240	1.047	28.25	18	9
GBH-200023-2	3.95	240	1.047	34.25	24	9
GBH-200024-2	5.925	240	1.047	46.25	36	9
GBH-200025-2	7.9	240	1.047	58.25	48	9
GBH-200047-2	9.87	240	1.047	70.25	60	9
GBH-200026-2	4.995	240	1.324	34.5	24.25	9
GBH-200027-2	7.49	240	1.324	46.5	36.25	9
GBH-200028-2	9.985	240	1.324	58.5	48.25	9
GBH-200029-2	12.49	240	1.324	70.5	60.25	9

Hi-Temp Band Heaters Type GTB

APPLICATIONS

The Gaumer GTB Style Tubular Band Heater is designed for rugged duty where process temperatures as high as 1200°F. are required. Although originally designed for extruding machines and injection molding machines the GTB Style Tubular Band Heater has been readily adapted to heat autoclaves, kettles, oven chambers, cylinders, and vertical cylindrical vessels with diameters as large as 100 inches where close heater contact and maximum performance is desired.

STANDARD FEATURES

Heating Elements

- Incoloy 800 Sheath Material
- Heavy Wall (.035 in.)
- Large Diameter (.475 in.)
- Sealed Terminals

Standard Features

- "Flat Pressed" Element for Good Contact
- Element Terminals Spaced-Away from Heat
- 2 inch Wide Heavy Stainless.Steel Clamp Band
- Long-Large Diameter Alloy Clamping Bolt

Construction

- All Factory Welded Construction
- Factory Formed to Specified Diameter
- 1 Piece, 2 Piece, 4 Piece Available

Installation

- Factory Installed Hi-Temp Leadwires
- Field Proven Installation Instructions Included

Service

- Wiring Modifiable in Field
- Assembly Repairable at Factory



SPECIAL FEATURES

- S Short terminal 2-3/4" long. Standard terminal length varies between 3-1/4" to 5".
- D Non cataloged diameter. Specify diameter required and add suffix.
- ER Explosion resistant enclosure.
- LT Moisture resistant enclosure.
- J(K) Integrally mounted sheath sensing thermocouple.
- H Hole through clamping band (standard 3/4 inch diameter) for field insertion of process thermocouple. Specify hole location and add suffix.

Hi-Temp Band Heaters

Type GTB

Heating Elements -1

Catalog Number	Diameter	kW	Volts:	Watts/sq.in:	Weight (lbs.)
1GTW-10-1	1.0	0.187	120	12	2
1GTW-12-1	1.3	0.250	120	12	2
1GTW-12-2	1.3	0.250	240	12	2
1GTW-14-1	1.5	0.312	120	12	2
1GTW-14-2	1.5	0.312	240	12	2
1GTR-16-1	1.8	0.187	120	23	2
1GTW-16-1	1.8	0.375	120	12	3
1GTW-16-2	1.8	0.375	240	12	3
1GTR-20-1	2.0	0.187	120	23	2
1GTW-20-1	2.0	0.375	120	12	3
1GTW-20-2	2.0	0.375	240	12	3
1GTR-22-1	2.3	0.187	120	23	3
1GTW-22-2	2.3	0.500	240	23	3
1GTW-22-1	2.3	0.500	120	12	3
1GTR-24-1	2.5	0.250	120	23	3
1GTR-24-2	2.5	0.250	240	23	3
1GTW-24-1	2.5	0.500	120	23	4
1GTW-24-2	2.5	0.500	240	23	4
1GTW-26-1	2.8	0.500	120	12	4
1GTW-26-2	2.8	0.500	240	12	4
1GTR-30-1	3.0	0.312	120	23	3
1GTR-30-2	3.0	0.312	240	23	3
1GTR-32-1	3.3	0.375	120	23	3
1GTR-32-2	3.3	0.375	240	23	3
1GTR-34-1	3.5	0.375	120	23	3
1GTR-34-2	3.5	0.375	240	23	3
1GTB-34-1	3.5	0.750	120	23	2
1GTB-34-2	3.5	0.750	240	23	2
1GTR-36-1	3.8	0.500	120	23	3
1GTR-36-2	3.8	0.500	240	23	3
1GTR-40-1	4.0	0.500	120	23	4
1GTR-40-2	4.0	0.500	240	23	4
1GTB-40-1	4.0	0.750	120	23	2
1GTB-40-2	4.0	0.750	240	23	2
1GTR-42-1	4.3	0.500	120	23	4
1GTR-42-2	4.3	0.500	240	23	4
1GTB-44-1	4.5	0.750	120	23	2
1GTB-44-2	4.5	0.750	240	23	2
1GTB-50-1	5.0	1.000	120	23	2
1GTB-50-2	5.0	1.000	240	23	2
1GTB-50-4	5.0	1.000	480	23	2
1GTBB-50-1	5.0	0.700	120	15	2
1GTBB-50-2	5.0	0.700	240	15	2
1GTB-54-1	5.5	1.000	120	23	2
1GTB-54-2	5.5	1.000	240	23	2
1GTB-54-4	5.5	1.000	480	23	2
1GTBB-54-1	5.5	0.700	120	15	2
1GTBB-54-2	5.5	0.700	240	15	2
1GTB-60-1	6.0	1.250	120	23	2

Hi-Temp Band Heaters

Type GTB

Heating Elements -1

Catalog Number	Diameter	kW	Volts:	Watts/sq.in:	Weight (lbs.)
1GTB-60-2	6.0	1.250	240	23	2
1GTB-60-4	6.0	1.250	480	23	2
1GTBB-60-1	6.0	0.800	120	15	2
1GTBB-60-2	6.0	0.800	240	15	2
1GTB-64-1	6.5	1.250	120	23	2
1GTB-64-2	6.5	1.250	240	23	2
1GTB-64-4	6.5	1.250	480	23	2
1GTBB-64-1	6.5	0.800	120	15	2
1GTBB-64-2	6.5	0.800	240	15	2
1GTB-70-1	7.0	1.250	120	23	2
1GTB-70-2	7.0	1.250	240	23	2
1GTB-70-4	7.0	1.250	480	23	2
1GTBB-70-1	7.0	0.800	120	15	2
1GTBB-70-2	7.0	0.800	240	15	2
1GTB-74-2	7.5	1.500	240	23	2
1GTB-74-4	7.5	1.500	480	23	2
1GTBB-74-2	7.5	1.000	240	15	2
1GTB-80-2	8.0	1.500	480	23	2
1GTB-80-4	8.0	1.500	480	23	2
1GTBB-80-2	8.0	1.000	480	15	2
1GTB-84-2	8.5	1.500	240	23	3
1GTB-84-4	8.5	1.500	480	23	3
1GTBB-84-2	8.5	1.000	240	15	3
1GTB-90-2	9.0	1.500	240	23	4
1GTB-90-4	9.0	1.500	480	23	4
1GTBB-90-2	9.0	1.000	240	15	4
1GTB-94-2	9.5	2.000	240	23	4
1GTB-94-4	9.5	2.000	480	23	4
1GTBB-94-2	9.5	1.250	240	15	4
1GTB-100-2	10.0	2.000	240	23	5
1GTB-100-4	10.0	2.000	480	23	5
1GTBB-100-2	10.0	1.250	240	15	5
1GTB-104-2	10.5	2.000	240	23	5
1GTB-104-4	10.5	2.000	480	23	5
1GTBB-104-2	10.5	1.250	240	15	5
1GTB-110-2	11.0	2.000	240	23	5
1GTB-110-4	11.0	2.000	480	23	5
1GTBB-110-2	11.0	1.250	240	15	5
1GTBB-110-4	11.0	1.250	480	15	5
1GTB-114-2	11.5	2.000	240	23	5
1GTB-114-4	11.5	2.000	480	23	5
1GTBB-114-2	11.5	1.250	240	15	5
1GTB-120-2	12.0	2.500	240	23	5
1GTB-120-4	12.0	2.500	480	23	5
1GTBB-120-2	12.0	1.700	240	15	5
1GTB-124-2	12.5	2.500	240	23	5
1GTB-124-4	12.5	2.500	480	23	5
1GTBB-124-2	12.5	1.700	240	15	5
1GTB-130-2	13.0	2.500	240	23	6

Hi-Temp Band Heaters

Type GTB

Heating Elements -1

Catalog Number	Diameter	kW	Volts:	Watts/sq.in:	Weight (lbs.)
1GTB-130-4	13.0	2.500	480	23	6
1GTBB-130-2	13.0	1.700	240	15	6
1GTB-134-2	13.5	2.500	240	23	6
1GTB-134-4	13.5	2.500	480	23	6
1GTBB-134-2	13.5	1.700	240	15	6
1GTB-140-2	14.0	3.000	240	23	6
1GTB-140-4	14.0	3.000	480	23	6
1GTBB-140-2	14.0	1.700	240	15	6
1GTB-144-2	14.5	3.000	240	23	6
1GTB-144-4	14.5	3.000	480	23	6
1GTBB-144-2	14.5	2.100	240	15	6
1GTB-150-2	15.0	3.000	240	23	6
1GTB-150-4	15.0	3.000	480	23	6
1GTBB-150-2	15.0	2.100	240	15	6
1GTB-154-2	15.5	3.000	240	23	6
1GTB-154-4	15.5	3.000	480	23	6
1GTBB-154-2	15.5	2.100	240	15	6
1GTB-160-2	16.0	3.000	240	23	6
1GTB-160-4	16.0	3.000	480	23	6
1GTBB-160-2	16.0	2.100	240	15	6
1GTBB-164-2	16.5	2.500	240	15	6
1GTBB-170-2	17.0	2.500	240	15	7
1GTBB-174-2	17.5	2.500	240	15	7
1GTBB-180-2	18.0	2.500	240	15	7
1GTBB-184-2	18.5	2.500	240	15	7
1GTBB-190-2	19.0	2.500	240	15	7
1GTB-194-2	19.5	4.200	240	23	7
1GTB-194-4	19.5	4.200	480	23	7
1GTBB-194-2	19.5	2.500	240	15	7
1GTB-200-2	20.0	4.200	240	23	7
1GTB-200-4	20.0	4.200	480	23	7
1GTBB-200-2	20.0	2.500	240	15	7
1GTB-204-2	20.5	4.200	240	23	7
1GTB-204-4	20.5	4.200	480	23	7
1GTBB-204-2	20.5	2.500	240	15	7
1GTB-210-2	21.0	4.200	240	23	7
1GTB-210-4	21.0	4.200	480	23	7
1GTBB-210-2	21.0	2.500	240	15	7
1GTB-214-2	21.5	4.200	240	23	8
1GTB-214-4	21.5	4.200	480	23	8
1GTB-220-2	22.0	4.200	240	23	8
1GTB-220-4	22.0	4.200	480	23	8
1GTB-234-2	23.5	5.000	240	23	8
1GTB-234-4	23.5	5.000	480	23	8
1GTBB-234-2	23.5	3.700	240	15	8
1GTB-240-2	24.0	5.000	240	23	8
1GTB-240-4	24.0	5.000	480	23	8
1GTBB-240-2	24.0	3.700	240	15	8
1GTB-244-2	24.5	5.000	240	23	8

Hi-Temp Band Heaters

Type GTB

Heating Elements -1

Catalog Number	Diameter	kW	Volts:	Watts/sq.in:	Weight (lbs.)
1GTB-244-4	24.5	5.000	480	23	8
1GTBB-244-2	24.5	3.700	240	15	8
1GTB-250-2	25.0	5.000	240	23	8
1GTB-250-4	25.0	5.000	480	23	8
1GTBB-250-2	25.0	3.700	240	15	8
1GTB-254-2	25.5	5.000	240	23	8
1GTB-254-4	25.5	5.000	480	23	8
1GTBB-254-2	25.5	3.700	240	15	8

Heating Elements -2

Catalog Number	Diameter	kW	Volts:	Watts/sq.in:	Weight (lbs.)
2GTR-30-1	3.0	0.375	120	23	2
2GTR-32-1	3.3	0.375	120	23	2
2GTR-34-1	3.5	0.375	120	23	2
2GTR-36-1	3.8	0.375	120	23	2
2GTR-40-1	4.0	0.375	120	23	2
2GTR-42-1	4.3	0.500	120	23	2
2GTR-42-2	4.3	0.500	240	23	2
2GTR-44-1	4.5	0.500	120	23	2
2GTR-44-2	4.5	0.500	240	23	2
2GTR-46-1	4.8	0.625	120	23	2
2GTR-46-2	4.8	0.625	240	23	2
2GTR-50-1	5.0	0.625	120	23	2
2GTR-50-2	5.0	0.625	240	23	2
2GTR-52-1	5.3	0.625	120	23	2
2GTR-52-2	5.3	0.625	240	23	2
2GTR-54-1	5.5	0.625	120	23	2
2GTR-54-2	5.5	0.625	240	23	2
2GTR-56-1	5.8	0.750	120	23	3
2GTR-56-2	5.8	0.750	240	23	3
2GTR-60-1	6.0	0.750	120	23	3
2GTR-60-2	6.0	0.750	240	23	3
2GTR-62-1	6.3	0.750	120	23	3
2GTR-62-2	6.3	0.750	240	23	3
2GTR-64-1	6.5	0.750	120	23	3
2GTR-64-2	6.5	0.750	240	23	3
2GTR-66-1	6.8	0.750	120	23	3
2GTR-66-2	6.8	0.750	240	23	3
2GTR-70-1	7.0	0.750	120	23	3
2GTR-70-2	7.0	0.750	240	23	3
2GTB-70-1	7.0	1.500	120	23	2
2GTB-70-2	7.0	1.500	240	23	2
2GTB-70-4	7.0	1.500	480	23	2
2GTR-72-1	7.3	1.000	120	23	3
2GTR-72-2	7.3	1.000	240	23	3
2GTR-74-1	7.5	1.000	120	23	4
2GTR-74-2	7.5	1.000	240	23	4
2GTB-74-1	7.5	1.500	120	23	2
2GTB-74-2	7.5	1.500	240	23	2

11/19/2001

Page 5 of 15

Hi-Temp Band Heaters

Type GTB

Heating Elements -2

Catalog Number	Diameter	kW	Volts:	Watts/sq.in:	Weight (lbs.)
2GTB-74-4	7.5	1.500	480	23	2
2GTR-76-1	7.8	1.000	120	23	4
2GTR-76-2	7.8	1.000	240	23	4
2GTR-80-1	8.0	1.000	120	23	4
2GTR-80-2	8.0	1.000	240	23	4
2GTB-80-1	8.0	1.500	120	23	2
2GTB-80-2	8.0	1.500	240	23	2
2GTB-80-4	8.0	1.500	480	23	2
2GTR-82-1	8.3	1.000	120	23	4
2GTR-82-2	8.3	1.000	240	23	4
2GTR-84-1	8.5	1.000	120	23	4
2GTR-84-2	8.5	1.000	240	23	4
2GTB-84-1	8.5	1.500	120	23	3
2GTB-84-2	8.5	1.500	240	23	3
2GTB-84-4	8.5	15.000	480	23	3
2GTB-90-1	9.0	1.500	120	23	4
2GTB-90-2	9.0	1.500	240	23	4
2GTB-90-4	9.0	1.500	480	23	4
2GTB-94-1	9.5	1.750	120	23	4
2GTB-94-2	9.5	1.750	240	23	4
2GTB-94-4	9.5	1.750	480	23	4
2GTBB-94-1	9.5	1.300	120	15	4
2GTBB-94-2	9.5	1.300	240	15	4
2GTBB-94-4	9.5	1.300	480	15	4
2GTB-100-1	10.0	2.000	120	23	5
2GTB-100-2	10.0	2.000	240	23	5
2GTB-100-4	10.0	2.000	480	23	5
2GTBB-100-1	10.0	1.300	120	15	5
2GTBB-100-2	10.0	1.300	240	15	5
2GTBB-100-4	10.0	1.300	480	15	5
2GTB-104-1	10.5	2.000	120	23	5
2GTB-104-2	10.5	2.000	240	23	5
2GTB-104-4	10.5	2.000	480	23	5
2GTBB-104-1	10.5	1.300	120	15	5
2GTBB-104-2	10.5	1.300	240	15	5
2GTBB-104-4	10.5	1.300	480	15	5
2GTB-110-1	11.0	2.000	120	23	5
2GTB-110-2	11.0	2.000	240	23	5
2GTB-110-4	11.0	2.000	480	23	5
2GTBB-110-1	11.0	1.300	120	15	5
2GTBB-110-2	11.0	1.300	240	15	5
2GTBB-110-4	11.0	1.300	480	15	5
2GTB-114-1	11.5	2.500	120	23	5
2GTB-114-2	11.5	2.500	240	23	5
2GTB-114-4	11.5	2.500	480	23	5
2GTBB-114-1	11.5	1.700	120	15	5
2GTBB-114-2	11.5	1.700	240	15	5
2GTBB-114-4	11.5	1.700	480	15	5
2GTB-120-1	12.0	2.500	120	23	5

Hi-Temp Band Heaters

Type GTB

Heating Elements -2

Catalog Number	Diameter	kW	Volts:	Watts/sq.in:	Weight (lbs.)
2GTB-120-2	12.0	2.500	240	23	5
2GTB-120-4	12.0	2.500	480	23	5
2GTBB-120-1	12.0	1.700	120	15	5
2GTBB-120-2	12.0	1.700	240	15	5
2GTBB-120-4	12.0	1.700	480	15	5
2GTB-124-1	12.5	2.500	120	23	5
2GTB-124-2	12.5	2.500	240	23	5
2GTB-124-4	12.5	2.500	480	23	5
2GTBB-124-1	12.5	1.700	120	15	5
2GTBB-124-2	12.5	1.700	240	15	5
2GTBB-124-4	12.5	1.700	480	15	5
2GTB-130-1	13.0	2.500	120	23	6
2GTB-130-2	13.0	2.500	240	23	6
2GTB-130-4	13.0	2.500	480	23	6
2GTBB-130-1	13.0	1.700	120	15	6
2GTBB-130-2	13.0	1.700	240	15	6
2GTBB-130-4	13.0	1.700	480	15	6
2GTB-134-2	13.5	2.750	240	23	6
2GTB-134-4	13.5	2.750	480	23	6
2GTB-140-2	14.0	2.750	240	23	6
2GTB-140-4	14.0	2.750	480	23	6
2GTB-144-2	14.5	2.750	240	23	6
2GTB-144-4	14.5	2.750	480	23	6
2GTB-150-2	15.0	3.000	240	23	6
2GTB-150-4	15.0	3.000	480	23	6
2GTBB-150-2	15.0	2.000	240	15	6
2GTBB-150-4	15.0	2.000	480	15	6
2GTB-154-2	15.5	3.000	240	23	6
2GTB-154-4	15.5	3.000	480	23	6
2GTBB-154-2	15.5	2.000	240	15	6
2GTBB-154-4	15.5	2.000	480	15	6
2GTB-160-2	16.0	3.000	240	23	6
2GTB-160-4	16.0	3.000	480	23	6
2GTBB-160-2	16.0	2.000	240	15	6
2GTBB-160-4	16.0	2.000	480	15	6
2GTB-164-2	16.5	3.000	240	23	6
2GTB-164-4	16.5	3.000	480	23	6
2GTBB-164-2	16.5	2.000	240	15	6
2GTBB-164-4	16.5	2.000	480	15	6
2GTB-170-2	17.0	3.000	240	23	7
2GTB-170-4	17.0	3.000	480	23	7
2GTBB-170-2	17.0	2.000	240	15	7
2GTBB-170-4	17.0	2.000	480	15	7
2GTB-174-2	17.5	3.500	240	23	7
2GTB-174-4	17.5	3.500	480	23	7
2GTBB-174-2	17.5	2.500	240	15	7
2GTBB-174-4	17.5	2.500	480	15	7
2GTB-180-2	18.0	3.500	240	23	7
2GTB-180-4	18.0	3.500	480	23	7

Hi-Temp Band Heaters

Type GTB

Heating Elements -2

Catalog Number	Diameter	kW	Volts:	Watts/sq.in:	Weight (lbs.)
2GTBB-180-2	18.0	2.500	240	15	7
2GTBB-180-4	18.0	2.500	480	15	7
2GTB-184-2	18.5	3.500	240	23	7
2GTB-184-4	18.5	3.500	480	23	7
2GTBB-184-2	18.5	2.500	240	15	7
2GTBB-184-4	18.5	2.500	480	15	7
2GTB-190-2	19.0	3.500	240	23	7
2GTB-190-4	19.0	3.500	480	23	7
2GTBB-190-2	19.0	2.500	240	15	7
2GTBB-190-4	19.0	2.500	480	15	7
2GTB-194-2	19.5	4.000	240	23	7
2GTB-194-4	19.5	4.000	480	23	7
2GTBB-194-2	19.5	2.500	240	15	7
2GTBB-194-4	19.5	2.500	480	15	7
2GTB-200-2	20.0	4.000	240	23	7
2GTB-200-4	20.0	4.000	480	23	7
2GTBB-200-2	20.0	2.500	240	15	7
2GTBB-200-4	20.0	2.500	480	15	7
2GTB-204-2	20.5	4.000	240	23	7
2GTB-204-4	20.5	4.000	480	23	7
2GTBB-204-2	20.5	2.500	240	15	7
2GTBB-204-4	20.5	2.500	480	15	7
2GTB-210-2	21.0	4.000	240	23	7
2GTB-210-4	21.0	4.000	480	23	7
2GTBB-210-2	21.0	2.500	240	15	7
2GTBB-210-4	21.0	2.500	480	15	7
2GTB-214-2	21.5	4.000	240	23	8
2GTB-214-4	21.5	4.000	480	23	8
2GTBB-214-2	21.5	2.500	240	15	8
2GTBB-214-4	21.5	2.500	480	15	8
2GTB-220-2	22.0	4.500	240	23	8
2GTB-220-4	22.0	4.500	480	23	8
2GTB-224-2	22.5	4.500	240	23	8
2GTB-224-4	22.5	4.500	480	23	8
2GTB-230-2	23.0	4.500	240	23	8
2GTB-230-4	23.0	4.500	480	23	8
2GTB-234-2	23.5	4.500	240	23	8
2GTB-234-4	23.5	4.500	480	23	8
2GTB-240-2	24.0	5.000	240	23	8
2GTB-240-4	24.0	5.000	480	23	8
2GTBB-240-2	24.0	3.300	240	15	8
2GTBB-240-4	24.0	3.300	480	15	8
2GTB-244-2	24.5	5.000	240	23	8
2GTB-244-4	24.5	5.000	480	23	8
2GTBB-244-2	24.5	3.300	240	15	8
2GTBB-244-4	24.5	3.300	480	15	8
2GTB-250-2	25.0	5.000	240	23	8
2GTB-250-4	25.0	5.000	480	23	8
2GTBB-250-2	25.0	3.300	240	15	8

Hi-Temp Band Heaters

Type GTB

Heating Elements -2

Catalog Number	Diameter	kW	Volts:	Watts/sq.in:	Weight (lbs.)
2GTBB-250-4	25.0	3.300	480	15	8
2GTB-254-2	25.5	5.000	240	23	8
2GTB-254-4	25.5	5.000	480	23	8
2GTBB-254-2	25.5	3.300	240	15	8
2GTBB-254-4	25.5	3.300	480	15	8
2GTB-260-2	26.0	5.000	240	23	8
2GTB-260-4	26.0	5.000	480	23	8
2GTBB-260-2	26.0	3.300	240	15	9
2GTBB-260-4	26.0	3.300	480	15	9
2GTB-264-2	26.5	5.500	240	23	9
2GTB-264-4	26.5	5.500	480	23	9
2GTBB-264-2	26.5	3.300	240	15	9
2GTBB-264-4	26.5	3.300	480	15	9
2GTB-270-2	27.0	5.500	240	23	9
2GTB-270-4	27.0	5.500	480	23	9
2GTBB-270-2	27.0	3.300	240	15	9
2GTBB-270-4	27.0	3.300	480	15	9
2GTB-274-2	27.5	5.500	240	23	9
2GTB-274-4	27.5	5.500	480	23	9
2GTBB-274-2	27.5	3.300	240	15	9
2GTBB-274-4	27.5	3.300	480	15	9
2GTB-280-2	28.0	5.500	240	23	9
2GTB-280-4	28.0	5.500	480	23	9
2GTB-284-2	28.5	5.500	240	23	9
2GTB-284-4	28.5	5.500	480	23	9
2GTB-290-2	29.0	6.000	240	23	9
2GTB-290-4	29.0	6.000	480	23	9
2GTBB-290-2	29.0	4.200	240	15	9
2GTBB-290-4	29.0	4.200	480	15	9
2GTB-294-2	29.5	6.000	240	23	9
2GTB-294-4	29.5	6.000	480	23	9
2GTBB-294-2	29.5	4.200	240	15	9
2GTBB-294-4	29.5	4.200	480	15	9
2GTB-300-2	30.0	6.000	240	23	9
2GTB-300-4	30.0	6.000	480	23	9
2GTBB-300-2	30.0	4.200	240	15	10
2GTBB-300-4	30.0	4.200	480	15	10
2GTB-304-2	30.5	6.000	240	23	10
2GTB-304-4	30.5	6.000	480	23	10
2GTBB-304-2	30.5	4.200	240	15	10
2GTBB-304-4	30.5	4.200	480	15	10
2GTB-310-2	31.0	6.000	240	23	10
2GTB-310-4	31.0	6.000	480	23	10
2GTBB-310-2	31.0	4.200	240	15	10
2GTBB-310-4	31.0	4.200	480	15	10
2GTB-314-2	31.5	6.000	240	23	10
2GTB-314-4	31.5	6.000	480	23	10
2GTBB-314-2	31.5	4.200	240	15	10
2GTBB-314-4	31.5	4.200	480	15	10

Hi-Temp Band Heaters

Type GTB

Heating Elements -2

Catalog Number	Diameter	kW	Volts:	Watts/sq.in:	Weight (lbs.)
2GTBB-320-2	32.0	4.200	240	15	10
2GTBB-324-4	32.5	4.200	240	15	10
2GTBB-324-2	32.5	4.200	480	15	10
2GTBB-330-4	33.0	4.200	240	15	10
2GTBB-330-2	33.0	4.200	480	15	10
2GTB-340-2	34.0	7.200	240	23	10
2GTB-340-4	34.0	7.200	480	23	10
2GTB-344-2	34.5	7.200	240	23	10
2GTB-344-4	34.5	7.200	480	23	10
2GTB-350-2	35.0	7.200	240	23	10
2GTB-350-4	35.0	7.200	480	23	11
2GTBB-350-2	35.0	5.000	240	15	11
2GTBB-350-4	35.0	5.000	480	15	11
2GTB-354-2	35.5	7.200	240	23	11
2GTB-354-4	35.5	7.200	480	23	11
2GTBB-354-2	35.5	5.000	240	15	11
2GTBB-354-4	35.5	5.000	480	15	11
2GTB-360-2	36.0	7.200	240	23	11
2GTB-360-4	36.0	7.200	480	23	11
2GTBB-360-2	36.0	5.000	240	15	11
2GTBB-360-4	36.0	5.000	480	15	11
2GTB-364-2	36.5	7.200	240	23	11
2GTB-364-4	36.5	7.200	480	23	11
2GTBB-364-2	36.5	5.000	240	15	11
2GTBB-364-4	36.5	5.000	480	15	11
2GTBB-370-2	37.0	5.000	240	15	11
2GTBB-370-4	37.0	5.000	480	15	11
2GTBB-374-2	37.5	5.000	240	15	11
2GTBB-374-4	37.5	5.000	480	15	11
2GTBB-380-2	38.0	5.000	240	15	12
2GTBB-380-4	38.0	5.000	480	15	12
2GTBB-384-2	38.5	5.000	240	15	12
2GTBB-384-4	38.5	5.000	480	15	12
2GTB-390-2	39.0	8.400	240	23	12
2GTB-390-4	39.0	8.400	480	23	12
2GTBB-390-2	39.0	5.000	240	15	12
2GTBB-390-4	39.0	5.000	480	15	12
2GTB-394-2	39.5	8.400	240	23	12
2GTB-394-4	39.5	8.400	480	23	12
2GTBB-394-2	39.5	5.000	240	15	12
2GTBB-394-4	39.5	5.000	480	15	12
2GTB-400-2	40.0	8.400	240	23	13
2GTB-400-4	40.0	8.400	480	23	13
2GTBB-400-2	40.0	5.000	240	15	13
2GTBB-400-4	40.0	5.000	480	15	13
2GTB-404-2	40.5	8.400	240	23	13
2GTB-404-4	40.5	8.400	480	23	13
2GTBB-404-2	40.5	5.000	240	15	13
2GTBB-404-4	40.5	5.000	480	15	13

Hi-Temp Band Heaters

Type GTB

Heating Elements -2

Catalog Number	Diameter	kW	Volts:	Watts/sq.in:	Weight (lbs.)
2GTB-410-2	41.0	8.400	240	23	13
2GTB-410-4	41.0	8.400	480	23	13
2GTBB-410-2	41.0	5.000	240	15	14
2GTBB-410-4	41.0	5.000	480	15	14
2GTB-414-2	41.5	8.400	240	23	14
2GTB-414-4	41.5	8.400	480	23	14
2GTBB-414-2	41.5	5.000	240	15	14
2GTBB-414-4	41.5	5.000	480	15	14
2GTB-420-2	42.0	8.400	240	23	14
2GTB-420-4	42.0	8.400	480	23	14
2GTBB-420-2	42.0	5.000	240	15	15
2GTBB-420-4	42.0	5.000	480	15	15
2GTB-430-2	43.0	9.200	240	23	15
2GTB-430-4	43.0	9.200	480	23	15
2GTB-434-2	43.5	9.200	240	23	15
2GTB-434-4	43.5	9.200	480	23	15
2GTB-440-2	44.0	9.200	240	23	15
2GTB-440-4	44.0	9.200	480	23	15
2GTB-444-2	44.5	9.200	240	23	15
2GTB-444-4	44.5	9.200	480	23	15
2GTB-450-2	45.0	9.200	240	23	15
2GTB-450-4	45.0	9.200	480	23	15
2GTBB-450-2	45.0	7.400	240	15	15
2GTB-454-2	45.5	9.200	240	23	16
2GTB-454-4	45.5	9.200	480	23	16
2GTBB-454-2	45.5	7.400	240	15	16
2GTBB-454-4	45.5	7.400	480	15	16
2GTB-460-2	46.0	9.200	240	23	16
2GTB-460-4	46.0	9.200	480	23	16
2GTBB-460-2	46.0	7.400	240	15	16
2GTBB-460-4	46.0	7.400	480	15	16
2GTB-470-2	47.0	10.000	240	23	17
2GTB-470-4	47.0	10.000	480	23	17
2GTBB-470-2	47.0	7.400	240	15	17
2GTBB-470-4	47.0	7.400	480	15	17
2GTB-474-2	47.5	10.000	240	23	17
2GTB-474-4	47.5	10.000	480	23	17
2GTBB-474-2	47.5	7.400	240	15	17
2GTBB-474-4	47.5	7.400	480	15	17
2GTB-480-2	48.0	10.000	240	23	18
2GTB-480-4	48.0	10.000	480	23	18
2GTBB-480-2	48.0	7.400	240	15	18
2GTBB-480-4	48.0	7.400	480	15	18
2GTB-484-2	48.5	10.000	240	23	18
2GTB-484-4	48.5	10.000	480	23	18
2GTBB-484-2	48.5	7.400	240	15	18
2GTBB-484-4	48.5	7.400	480	15	18
2GTB-490-2	49.0	10.000	240	23	19
2GTB-490-4	49.0	10.000	480	23	19

Hi-Temp Band Heaters

Type GTB

Heating Elements -2

Catalog Number	Diameter	kW	Volts:	Watts/sq.in:	Weight (lbs.)
2GTBB-490-2	49.0	7.400	240	15	19
2GTBB-490-4	49.0	7.400	480	15	19
2GTB-494-2	49.5	10.000	240	23	19
2GTB-494-4	49.5	10.000	480	23	19
2GTBB-494-2	49.5	7.400	240	15	19
2GTBB-494-4	49.5	7.400	480	15	19
2GTB-500-2	50.0	10.000	240	23	20
2GTB-500-4	50.0	10.000	480	23	20
2GTBB-500-2	50.0	7.400	240	15	20
2GTBB-500-4	50.0	7.400	480	15	20

Heating Elements -4

Catalog Number	Diameter	kW	Volts:	Watts/sq.in:	Weight (lbs.)
4GTB-510-2	51.0	10.000	240	23	20
4GTB-510-4	51.0	10.000	480	23	20
4GTBB-510-2	51.0	6.600	240	15	20
4GTBB-510-4	51.0	6.600	480	15	20
4GTB-520-2	52.0	10.000	240	23	20
4GTB-520-4	52.0	10.000	480	23	20
4GTBB-520-2	52.0	6.600	240	15	20
4GTBB-520-4	52.0	6.600	480	15	20
4GTB-530-2	53.0	11.000	240	23	21
4GTB-530-4	53.0	11.000	480	23	21
4GTBB-530-2	53.0	6.600	240	15	21
4GTBB-530-4	53.0	6.600	480	15	21
4GTB-540-2	54.0	11.000	240	23	21
4GTB-540-4	54.0	11.000	480	23	21
4GTBB-540-2	54.0	6.600	240	15	21
4GTBB-540-4	54.0	6.600	480	15	21
4GTB-550-2	55.0	11.000	240	23	21
4GTB-550-4	55.0	11.000	480	23	21
4GTBB-550-2	55.0	6.600	240	15	21
4GTBB-550-4	55.0	6.600	480	15	21
4GTB-560-2	56.0	11.000	240	23	21
4GTB-560-4	56.0	11.000	480	23	21
4GTB-570-2	57.0	11.000	240	23	21
4GTB-570-4	57.0	11.000	480	23	21
4GTB-580-2	58.0	12.000	240	23	22
4GTB-580-4	58.0	12.000	480	23	22
4GTBB-580-2	58.0	8.400	240	15	22
4GTBB-580-4	58.0	8.400	480	15	22
4GTB-590-2	59.0	12.000	240	23	22
4GTB-590-4	59.0	12.000	480	23	22
4GTBB-590-2	59.0	8.400	240	15	22
4GTBB-590-4	59.0	8.400	480	15	22
4GTB-600-2	60.0	12.000	240	23	22
4GTB-600-4	60.0	12.000	480	23	22
4GTBB-600-2	60.0	8.400	240	15	22
4GTBB-600-4	60.0	8.400	480	15	22

11/19/2001

Page 12 of 15

Hi-Temp Band Heaters

Type GTB

Heating Elements -4

Catalog Number	Diameter	kW	Volts:	Watts/sq.in:	Weight (lbs.)
4GTB-610-2	61.0	12.000	240	23	22
4GTB-610-4	61.0	12.000	480	23	22
4GTBB-610-2	61.0	8.400	240	15	22
4GTBB-610-4	61.0	8.400	480	15	22
4GTB-620-2	62.0	12.000	240	23	22
4GTB-620-4	62.0	12.000	480	23	22
4GTBB-620-2	62.0	8.400	240	15	22
4GTBB-620-4	62.0	8.400	480	15	22
4GTB-630-2	63.0	12.000	240	23	22
4GTB-630-4	63.0	12.000	480	23	22
4GTBB-630-2	63.0	8.400	240	15	22
4GTBB-630-4	63.0	8.400	480	15	22
4GTBB-640-2	64.0	8.400	240	15	22
4GTBB-640-4	64.0	8.400	480	15	22
4GTBB-650-4	65.0	8.400	240	15	22
4GTBB-650-2	65.0	8.400	480	15	22
4GTBB-660-4	66.0	8.400	240	15	22
4GTBB-660-2	66.0	8.400	480	15	22
4GTB-680-2	68.0	14.400	240	23	23
4GTB-680-4	68.0	14.400	480	23	23
4GTB-690-2	69.0	14.400	240	23	23
4GTB-690-4	69.0	14.400	480	23	23
4GTB-700-2	70.0	14.400	240	23	23
4GTB-700-4	70.0	14.400	480	23	23
4GTBB-700-2	70.0	10.000	240	15	23
4GTBB-700-4	70.0	10.000	480	15	23
4GTB-710-2	71.0	14.400	240	23	23
4GTB-710-4	71.0	14.400	480	23	23
4GTBB-710-2	71.0	10.000	240	15	23
4GTBB-710-4	71.0	10.000	480	15	23
4GTB-720-2	72.0	14.400	240	23	23
4GTB-720-4	72.0	14.400	480	23	23
4GTBB-720-2	72.0	10.000	240	15	23
4GTBB-720-4	72.0	10.000	480	15	23
4GTB-730-2	73.0	14.400	240	23	23
4GTB-730-4	73.0	14.400	480	23	23
4GTBB-730-2	73.0	10.000	240	15	23
4GTBB-730-4	73.0	10.000	480	15	23
4GTBB-740-2	74.0	10.000	240	15	23
4GTBB-740-4	74.0	10.000	480	15	23
4GTBB-750-2	75.0	10.000	240	15	23
4GTBB-750-4	75.0	10.000	480	15	23
4GTBB-760-2	76.0	10.000	240	15	23
4GTBB-760-4	76.0	10.000	480	15	23
4GTBB-770-2	77.0	10.000	240	15	23
4GTBB-770-4	77.0	10.000	480	15	23
4GTB-780-2	78.0	16.800	240	23	24
4GTB-780-4	78.0	16.800	480	23	24
4GTBB-780-2	78.0	10.000	240	15	23

Hi-Temp Band Heaters

Type GTB

Heating Elements -4

Catalog Number	Diameter	kW	Volts:	Watts/sq.in:	Weight (lbs.)
4GTBB-780-4	78.0	10.000	480	15	23
4GTB-790-2	79.0	16.800	240	23	24
4GTB-790-4	79.0	16.800	480	23	24
4GTBB-790-2	79.0	10.000	240	15	24
4GTBB-790-4	79.0	10.000	480	15	24
4GTB-800-2	80.0	16.800	240	23	24
4GTB-800-4	80.0	16.800	480	23	24
4GTBB-800-2	80.0	10.000	240	15	24
4GTBB-800-4	80.0	10.000	480	15	24
4GTB-810-2	81.0	16.800	240	23	24
4GTB-810-4	81.0	16.800	480	23	24
4GTBB-810-2	81.0	10.000	240	15	24
4GTBB-810-4	81.0	10.000	480	15	24
4GTB-820-2	82.0	16.800	240	23	24
4GTB-820-4	82.0	16.800	480	23	24
4GTBB-820-2	82.0	10.000	240	15	24
4GTBB-820-4	82.0	10.000	480	15	24
4GTB-830-2	83.0	16.800	240	23	24
4GTB-830-4	83.0	16.800	480	23	24
4GTBB-830-2	83.0	10.000	240	15	24
4GTBB-830-4	83.0	10.000	480	15	24
4GTB-840-2	84.0	16.800	240	23	24
4GTB-840-4	84.0	16.800	480	23	24
4GTBB-840-2	84.0	10.000	240	15	24
4GTBB-840-4	84.0	10.000	480	15	24
4GTB-860-2	86.0	18.400	240	23	25
4GTB-860-4	86.0	18.400	480	23	25
4GTB-870-2	87.0	18.400	240	23	25
4GTB-870-4	87.0	18.400	480	23	25
4GTB-880-2	88.0	18.400	240	23	25
4GTB-880-4	88.0	18.400	480	23	25
4GTB-890-2	89.0	18.400	240	23	25
4GTB-890-4	89.0	18.400	480	23	25
4GTB-900-2	90.0	18.400	240	23	25
4GTB-900-4	90.0	18.400	480	23	25
4GTBB-900-2	90.0	14.800	240	15	25
4GTB-910-2	91.0	18.400	240	23	25
4GTB-910-4	91.0	18.400	480	23	25
4GTBB-910-2	91.0	14.800	240	15	25
4GTBB-910-4	91.0	14.800	480	15	25
4GTB-920-2	92.0	18.400	240	23	25
4GTB-920-4	92.0	18.400	480	23	25
4GTBB-920-2	92.0	14.800	240	15	25
4GTBB-920-4	92.0	14.800	480	15	25
4GTB-940-2	94.0	20.000	240	23	26
4GTB-940-4	94.0	20.000	480	23	26
4GTBB-940-2	94.0	14.800	240	15	26
4GTBB-940-4	94.0	14.800	480	15	26
4GTB-950-2	95.0	20.000	240	23	26

Hi-Temp Band Heaters

Type GTB

Heating Elements -4

Catalog Number	Diameter	kW	Volts:	Watts/sq.in:	Weight (lbs.)
4GTB-950-4	95.0	20.000	480	23	26
4GTBB-950-2	95.0	14.800	240	15	26
4GTBB-950-4	95.0	14.800	480	15	26
4GTB-960-2	96.0	20.000	240	23	26
4GTB-960-4	96.0	20.000	480	23	26
4GTBB-960-2	96.0	14.800	240	15	26
4GTBB-960-4	96.0	14.800	480	15	26
4GTB-970-2	97.0	20.000	240	23	26
4GTB-970-4	97.0	20.000	480	23	26
4GTBB-970-2	97.0	14.800	240	15	26
4GTBB-970-4	97.0	14.800	480	15	26
4GTB-980-2	98.0	20.000	240	23	26
4GTB-980-4	98.0	20.000	480	23	26
4GTBB-980-2	98.0	14.800	240	15	26
4GTBB-980-4	98.0	14.800	480	15	26
4GTB-990-2	99.0	20.000	240	23	26
4GTB-990-4	99.0	20.000	480	23	26
4GTBB-990-2	99.0	14.800	240	15	26
4GTBB-990-4	99.0	14.800	480	15	26
4GTB-1000-2	100.0	20.000	240	23	26
4GTB-1000-4	100.0	20.000	480	23	26
4GTBB-1000-2	100.0	14.800	240	15	26
4GTBB-1000-4	100.0	14.800	480	15	26

Mica Band Heaters

Type 1HB and 2HB

APPLICATIONS

For heating extruder barrels, plastic injection machine barrels and dies, blow molding machines, kettles, and other applications where even heat is required, the surface is cylindrical, and the desired surface temperature is less than 500° F.



STANDARD FEATURES

- F Flexible leadwires are fiberglass insulated and covered with 12 inch long metal braid. Preferred on small diameter applications.
- P Post Terminals facilitate connecting several heaters together and/or wiring in series. Should be used with Type HTW High Temperature Wire and Type RH High Temperature Ring Terminal Connectors.

ACCESSORIES

Metal Terminal Cover

Factory installed terminal cover protects terminals from splashing, dripping, and grounding. The box is equipped with BX cable fitting, and must be installed at the factory.

Ceramic Post Terminal Cover

Used in conjunction with Type HTW insulated wire to protect against electric shock from bare terminals. The cover is used with the No. 10-32 threaded terminal and can be installed in the field.

HEATER OPTIONS

- Model 1HB-** Single piece construction - must slide over end of work
- Model 2HB-** Two piece construction - can be assembled around work piece, can be wired in series or in parallel. The 2HB heaters shown in the table are catalogued for parallel wiring.

-HTW(lgth)

High Temperature Wire Pigtailed installed on band heater prior to shipment. Wire is UL Listed and rated for 450 °C service. Recommended for heaters with post terminals.

Mica Band Heaters

Type 1HB and 2HB

Type: 1 HB

Catalog Number	Diameter	Width	Watts	Volts	Watts/ Sq.Inch	Weight (lbs.)
1HB10FX10-1V100	1.00	1.00	100	120	32	0.2
1HB10F10-1V100	1.00	1.00	100	120	32	0.2
1HB10F10-2V100	1.00	1.00	100	240	32	0.2
1HB10F14-1V150	1.00	1.50	150	120	32	0.2
1HB10F14-2V150	1.00	1.50	150	240	32	0.2
1HB12F05-1V100	1.25	0.63	100	120	43	0.2
1HB12F12-1V125	1.25	1.25	125	120	25	0.2
1HB12F12-2V125	1.25	1.25	125	240	25	0.2
1HB12F12-1V200	1.25	1.25	200	120	41	0.2
1HB13F05X-2V100	1.38	0.63	100	240	37	0.1
1HB14F07-2V100	1.50	0.88	100	240	24	0.1
1HB14F10-1V100	1.50	1.00	100	120	21	0.2
1HB14F10-2V100	1.50	1.00	100	240	21	0.2
1HB14FC10-1V150	1.50	1.00	150	120	32	0.3
1HB14F10-1V150	1.50	1.00	150	120	32	0.2
1HB14F10-2V150	1.50	1.00	150	240	32	0.2
1HB14F14-1V200	1.50	1.50	200	120	28	0.3
1HB14F14-2V200	1.50	1.50	200	240	28	0.3
1HB14F14-1V250	1.50	1.50	250	120	35	0.2
1HB14F14-2V250	1.50	1.50	250	240	35	0.3
1HB14F14-1V275	1.50	1.50	275	120	39	0.2
1HB14F14-2V275	1.50	1.50	275	240	39	0.3
1HB14F14-2V300	1.50	1.50	300	240	42	0.3
1HB14FX20-1V300	1.50	2.00	300	120	32	0.3
1HB14F20-2V300	1.50	2.00	300	240	32	0.3
1HB14F30-2V350	1.50	3.00	350	240	25	0.4
1HB14F30-2V500	1.50	3.00	500	240	35	0.4
1HB14F40-1V300	1.50	4.00	300	120	16	0.3
1HB14P40-2V500	1.50	4.00	500	240	27	0.6
1HB16F14-2V150	1.75	1.50	150	240	18	0.3
1HB16F14-1V200	1.75	1.50	200	120	24	0.3
1HB16F14-2V200	1.75	1.50	200	240	24	0.3
1HB16F14-2V225	1.75	1.50	225	240	27	0.3
1HB16FX14-1V250	1.75	1.50	250	120	30	0.3
1HB16F14-2V250	1.75	1.50	250	240	30	0.3
1HB16F14-1V300	1.75	1.50	300	120	36	0.3
1HB16F14-2V300	1.75	1.50	300	240	36	0.3
1HB16FX20-1V300	1.75	2.00	300	120	27	0.3
1HB17FX10-2V140	1.88	1.00	140	240	24	0.2
1HB20F14-1V250	2.00	1.50	250	120	27	0.3
1HB20P14-1V30	2.00	1.50	300	120	32	0.3
1HB20P14-1V300	2.00	1.50	300	120	32	0.4
1HB20P14-2V300	2.00	1.50	300	240	32	0.3
1HB20F20-2V400	2.00	2.00	400	240	32	0.3
1HB20F30-1V750	2.00	3.00	750	120	40	0.5

Mica Band Heaters

Type 1HB and 2HB

Type: 1 HB

Catalog Number	Diameter	Width	Watts	Volts	Watts/ Sq.Inch	Weight (lbs.)
1HB20F36-1V800	2.00	3.75	800	120	34	0.6
1HB20F56-1V300	2.00	5.75	300	120	8	0.8
1HB20F56-1V500	2.00	5.75	500	120	14	0.5
1HB21F10-1V200	2.13	1.00	200	120	30	0.4
1HB21F20-2V200	2.13	2.00	200	240	15	0.4
1HB22P10-1V250	2.25	1.00	250	120	35	0.3
1HB22P10-2V250	2.25	1.00	250	240	35	0.4
1HB22FX12-1V250	2.25	1.25	250	120	28	0.3
1HB22P20-2V525	2.25	2.00	525	240	37	0.4
1HB22XP40-2V950	2.25	4.00	950	240	34	0.6
1HB23P10-2V100	2.38	1.00	100	240	13	0.3
1HB23P10-2V250	2.38	1.00	250	240	34	0.3
1HB24F14-2V200	2.50	1.50	200	240	17	0.4
1HB24P14-1V300	2.50	1.50	300	120	25	0.4
1HB24P14-2V300	2.50	1.50	300	240	25	0.2
1HB24P14-1V350	2.50	1.50	350	120	30	0.4
1HB24P14-2V350	2.50	1.50	350	240	30	0.4
1HB26F14-2V400	2.75	1.50	400	240	31	0.4
1HB30F10-2V200	3.00	1.00	200	240	21	0.5
1HB30F10-2V300	3.00	1.00	300	240	32	0.5
1HB30P10-2V300	3.00	1.00	300	240	32	0.3
1HB30F10-2V500	3.00	1.00	500	240	53	0.7
1HB30F14-1V150	3.00	1.50	150	120	11	0.3
1HB30F14-2V400	3.00	1.50	400	240	28	0.5
1HB30P14-2V400	3.00	1.50	400	240	28	0.5
1HB30P14-2V450	3.00	1.50	450	240	32	0.4
1HB30P14-1V500	3.00	1.50	500	120	35	0.3
1HB30P14-2V500	3.00	1.50	500	240	35	0.4
1HB30F14-1V600	3.00	1.50	600	120	42	0.3
1HB32P14-2V400	3.25	1.50	400	240	26	0.4
1HB32F30-2V800	3.25	3.00	800	240	26	0.8
1HB34P10-1V300	3.50	1.00	300	120	27	0.3
1HB34P14-2V500	3.50	1.50	500	240	30	0.4
1HB34FC20-1V400	3.50	2.00	400	120	18	0.5
1HB34FX20-2V500	3.50	2.00	500	240	23	0.6
1HB36FC14-1V500	3.75	1.50	500	120	28	0.3
1HB36FX14-2V700	3.75	1.50	700	240	40	0.5
1HB36P14-2V700	3.75	1.50	700	240	40	0.6
1HB40F10-2V300	4.00	1.00	300	240	24	0.3
1HB40P14-2V625	4.00	1.50	625	240	33	0.5
1HB40FC14-N800	4.00	1.50	800	120	42	0.5
1HB40F20-2V500	4.00	2.00	500	240	20	0.5
1HB40P20-2V550	4.00	2.00	550	240	22	0.5
1HB40F20-2V550	4.00	2.00	550	240	22	0.5
1HB40FX20-2V550	4.00	2.00	550	240	22	0.6
1HB42P10-2V450	4.25	1.00	450	240	34	0.3
1HB42FX14-1V600	4.25	1.50	600	120	30	0.5

Mica Band Heaters

Type 1HB and 2HB

Type: 1 HB

Catalog Number	Diameter	Width	Watts	Volts	Watts/ Sq.Inch	Weight (lbs.)
1HB42AF14-1V600	4.25	1.50	600	120	30	0.6
1HB42FX20-2V100	4.25	2.00	1000	240	37	0.5
1HB44FC14-1V800	4.50	1.50	800	120	38	0.4
1HB44P20-1V500	4.50	2.00	500	120	18	0.7
1HB46P14-2V400	4.75	1.50	400	240	18	0.7
1HB46AF14-1V800	4.75	1.50	800	120	36	0.5
1HB46FX14-1V800	4.75	1.50	800	120	36	0.4
1HB46P20-2V850	4.75	2.00	850	240	28	0.6
1HB14P50-2V750	5.00	0.63	750	240	76	0.8
1HB50P20-2V1200	5.00	2.00	1200	240	38	0.6
1HB50FX20-2V1250	5.00	2.00	1250	240	40	0.7
1HB52FC14-1V600	5.25	1.50	600	120	24	0.5
1HB54F14-2V725	5.50	1.50	725	240	28	0.8
1HB56FX202V1250	5.75	2.00	1250	240	35	1.0
1HB56AF202V1250	5.75	2.00	1250	240	35	1.0
1HB60FCX-4V1250	6.00		1250	480		1.0
1HB60FC14-1V850	6.00	1.50	850	120	30	1.0
1HB60F14-2V850	6.00	1.50	850	240	30	0.9
1HB60P20-2V800	6.00	2.00	800	240	21	0.9
1HB60FC242V1250	6.00	2.50	1250	240	27	1.0
1HB80FC141V1000	8.00	1.50	1000	120	27	1.0
1HB80FC20-2V120	8.00	2.00	120	240	2	2.0
1HB80FX204V1250	8.00	2.00	1250	480	25	2.0
1HB114P301V1000	11.50	3.00	1000	120	9	2.0

Type: 2 HB

Catalog Number	Diameter	Width	Watts	Volts	Watts/ Sq.Inch	Weight (lbs.)
2HB95P20-2V2000	0.00	2.00	0	0		6.0
2HB30P10-1V200	3.00	1.00	200	120	21	0.5
2HB30P14-1V200	3.00	1.50	200	120	14	0.5
2HB30P20-1V200	3.00	2.00	200	120	11	0.5
2HB30P20-2V500	3.00	2.00	500	240	27	0.4
2HB34P14-2V500	3.50	1.50	500	240	30	0.3
2HB34P20-2V650	3.50	2.00	650	240	30	0.6
2HB34P24-2V750	3.50	2.50	750	240	27	0.5
2HB35P14-4V500	3.63	1.50	500	240	29	0.4
2HB36P10-2V350	3.75	1.00	350	240	30	0.3
2HB36P14-2V700	3.75	1.50	700	240	40	0.5
2HB37P14-2V550	3.88	1.50	550	240	30	0.5
2HB40P10-2V450	4.00	1.00	450	240	36	0.3
2HB40P14-4V500	4.00	1.50	500	240	27	0.6
2HB40P14-2V550	4.00	1.50	550	240	29	0.6
2HB44P14-2V650	4.50	1.50	650	240	31	0.5
2HB46P14-4V600	4.75	1.50	600	480	27	0.6
2HB47P20-2V650	4.88	2.00	650	240	21	0.6

Mica Band Heaters

Type 1HB and 2HB

Type:2 HB

Catalog Number	Diameter	Width	Watts	Volts	Watts/ Sq.Inch	Weight (lbs.)
2HB50P14-2V700	5.00	1.50	700	240	30	0.6
2HB52P14-4V600	5.25	1.50	600	480	24	0.7
2HB53P20-2V900	5.38	2.00	900	240	27	0.8
2HB54P14-2V800	5.50	1.50	800	240	31	0.8
2HB54P30-2V1000	5.50	3.00		240		1.1
2HB56P10-2V600	5.75	1.00	600	240	33	0.5
2HB60P14-2V600	6.00	1.50	600	240	21	0.7
2HB60P14-2V850	6.00	1.50	850	240	30	0.7
2HB60P14-2V1000	6.00	1.50	1000	240	35	0.9
2HB64P14-2V900	6.50	1.50	900	240	29	0.5
2HB64P14-2V950	6.50	1.50	950	240	31	0.8
2HB64P20-2V1000	6.50	2.00	1000	240	24	1.0
2HB66P14-2V1000	6.75	1.50	1000	240	31	0.8
2HB66P20-2V1300	6.75	2.00	1300	240	31	1.0
2HB70P14-2V800	7.00	1.50	800	240	24	1.0
2HB70P14-2V950	7.00	1.50	950	240	29	0.8
2HB70P14-2V1100	7.00	1.50	1100	240	33	1.0
2HB72P20-2V900	7.25	2.00	900	240	20	0.8
2HB74P10-2V700	7.50	1.00	700	240	30	1.0
2HB74P14-2V600	7.50	1.50	600	240	17	0.9
2HB74P14-2V1000	7.50	1.50	1000	240	28	1.0
2HB74P14-2V1200	7.50	1.50	1200	240	34	0.9
2HB74P30-2V1000	7.50	3.00	1000	240	14	1.5
2HB76P14-2V1000	7.75	1.50	1000	240	27	1.0
2HB77P14-2V1000	7.88	1.50	1000	240	27	1.0
2HB80P14-2V500	8.00	1.50	500	240	13	0.9
2HB80P14-4V700	8.00	1.50	700	480	19	2.0
2HB80P14-2V950	8.00	1.50	950	240	25	0.9
2HB80P14-2V1200	8.00	1.50	1200	240	32	1.0
2HB80P14-2V1400	8.00	1.50	1400	240	37	1.0
2HB80P30-2V2250	8.00	3.00	2250	240	30	2.0
2HB84P14-2V1200	8.50	1.50	1200	240	30	1.0
2HB84P20-2V1600	8.50	2.00	1600	240	30	1.0
2HB90F10-4V1200	9.00	1.00	1200	480	43	6.1
2HB90P14-2V1300	9.00	1.50	1300	240	31	1.0
2HB90P20-2V1800	9.00	2.00	1800	240	32	2.0
2HB95PX402V3000	9.63	4.00	3000	240	25	3.0
2HB96P20-2V2000	9.75	2.00	2000	240	33	4.0
2HB100P142V1400	10.00	1.50	1400	240	30	1.3
2HB102P14-2V800	10.25	1.50	800	240	17	1.1
2HB104P14-2V750	10.50	1.50	750	240	15	4.0
2HB110P142V1600	11.00	1.50	1600	240	31	1.4
2HB110P202V2000	11.00	2.00	2000	240	29	1.4
2HB114P142V1600	11.50	1.50	1600	240	30	1.2
2HB120P144V1000	12.00	1.50	1000	480	18	2.0
2HB120P142V1350	12.00	1.50	1350	240	24	4.0
2HB120P202V2300	12.00	2.00	2300	240	31	2.0

Mica Band Heaters

Type 1HB and 2HB

Type: 2 HB

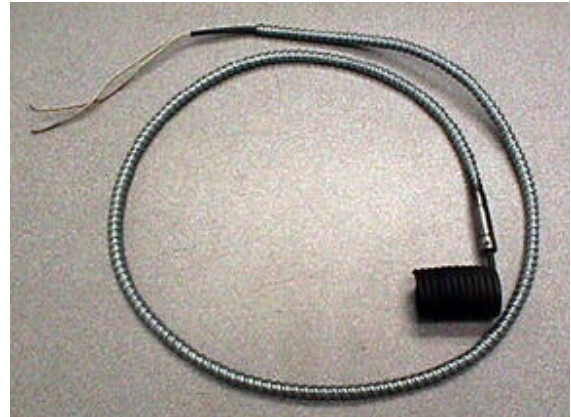
Catalog Number	Diameter	Width	Watts	Volts	Watts/ Sq.Inch	Weight (lbs.)
2HB130P202V2350	13.00	2.00	2350	240	29	5.0
2HB130P601V1000	13.00	6.00	1000	120	4	11.0
2HBX130P60-1V2700	13.00	6.00	2700	120	11	6.0
2HB130P602V2700	13.00	6.00	2700	240	11	6.0
2HB136P102V1500	13.75	1.00	1500	240	35	3.0
2HB150P302V3000	15.00	3.00	3000	240	21	7.0
2HB160A202V2000	16.00	2.00	2000	240	20	8.0
2HB194P242V3000	19.50	2.50	3000	240	20	9.0
2HB220P402V3000	22.00	4.00	3000	240	11	10.0

Coil Heaters

Type GCL

APPLICATIONS

Most suitable for heating barrels requiring higher temperatures than considered suitable for a mica type heater. The coil heater is rugged and can stand exposure to temperatures as high as 1000° F. The heater is configured from a straight length and can be custom designed to the application in diameter, heat pattern, and terminal direction. A low profile is an added benefit.



STANDARD FEATURES

The external sheath is constructed of stainless steel with a square cross-section. The resistance wire is enclosed in the sheath and is compacted with MgO powder similar to other Gaumer heating elements.

Coil Heaters

Type GCL

Catalog No.	Diam.	Width	Watts	Volts	w/sq.in.	Features
GCL50-014A	0.50	1.45	250	240	0	36 Inch Leadwires, Internally mounted Thermocouple
GCL50-020C	0.50	2.00	250	240	0	36 Inch Leadwires, Internally mounted Thermocouple
GCL50-045F	0.50	4.50	300	120	0	48 Inch Leadwires, Internally mounted Thermocouple
GCL50-045E	0.50	4.50	300	120	0	48 Inch Leadwires, Internally mounted Thermocouple
GCL50-045C	0.50	4.50	300	240	0	36 Inch Leadwires, Internally mounted Thermocouple
GCL50-045D	0.50	4.50	300	240	0	36 Inch Leadwires, Internally mounted Thermocouple
GCL50-025A	0.50	2.50	450	240	0	40 Inch Leadwires, Internally mounted Thermocouple
GCL50-025B	0.50	2.50	450	240	0	40 Inch Leadwires, Internally mounted Thermocouple
GCL62-009A	0.63	0.98	225	240	0	42 Inch Leadwires
GCL62-020A	0.63	2.00	300	240	0	36 Inch Leadwires, Internally mounted Thermocouple

Coil Heaters

Type GCL

Catalog No.	Diam.	Width	Watts	Volts	w/sq.in.	Features
GCL62-025A	0.63	2.50	350	240	0	36 Inch Leadwires, Internally mounted Thermocouple
GCL62-030A	0.63	3.00	400	240	0	36 Inch Leadwires, Internally mounted Thermocouple
GCL62-035A	0.63	3.50	425	240	0	36 Inch Leadwires, Internally mounted Thermocouple
GCL62-040A	0.63	4.00	500	240	0	36 Inch Leadwires, Internally mounted Thermocouple
GCL62-050A	0.63	5.00	500	240	0	36 Inch Leadwires, Internally mounted Thermocouple
GCL62-060A	0.63	6.00	550	240	0	36 Inch Leadwires, Internally mounted Thermocouple
GCL75-014A	0.75	1.44	250	240	0	36 Inch Leadwires
GCL75-019A	0.75	1.94	300	240	0	36 Inch Leadwires
GCL75-017A	0.75	1.75	315	240	0	45 Inch Leadwires, Internally mounted Thermocouple
GCL75-024B	0.75	2.44	315	240	0	45 Inch Leadwires, Internally mounted Thermocouple
GCL75-024A	0.75	2.44	350	240	0	36 Inch Leadwires
GCL75-029A	0.75	2.94	400	240	0	36 Inch Leadwires
GCL75-034A	0.75	3.44	425	240	0	36 Inch Leadwires
GCL75-044A	0.75	4.44	500	240	0	36 Inch Leadwires
GCL75-054A	0.75	5.44	500	240	0	36 Inch Leadwires
GCL87-021A	0.78	2.13	400	240	0	36 Inch Leadwires, Internally mounted Thermocouple
GCL87-026A	0.78	2.63	450	240	0	36 Inch Leadwires, Internally mounted Thermocouple
GCL87-031A	0.78	3.13	550	240	0	36 Inch Leadwires, Internally mounted Thermocouple
GCL87-036A	0.78	3.63	700	240	0	36 Inch Leadwires, Internally mounted Thermocouple
GCL87-041A	0.78	4.13	800	240	0	36 Inch Leadwires, Internally mounted Thermocouple
GCL87-051A	0.78	5.13	900	240	0	36 Inch Leadwires, Internally mounted Thermocouple
GCL87-061A	0.78	6.13	1000	240	0	36 Inch Leadwires, Internally mounted Thermocouple
GCL87-071A	0.78	7.13	1100	240	0	36 Inch Leadwires, Internally mounted Thermocouple

Tubular Heaters

APPLICATIONS

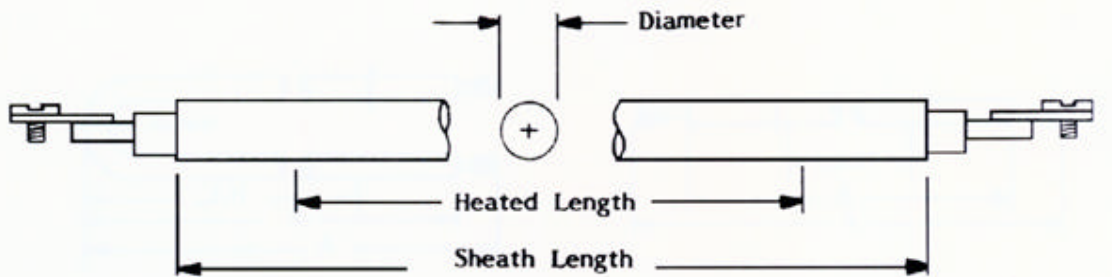
The most popular type of resistance heaters, tubulars can generally be designed to fit most applications. They are used for heating liquids, air and solids, limited only by the space available and the general limitations concerning maximum sheath temperature and watt density.

STANDARD FEATURES

The Incoloy sheath surrounds the highest quality compacted magnesium oxide. The resistor element located at the center of the sheath is made of the finest nickel chromium alloy and is designed to perform in the toughest of environments.

HEATER OPTIONS

Special terminations and bending can generally be added to stock units. Special length heaters as well as heaters with special ratings are available.



Tubular Heaters

.260, .315, .375, .425, .475 Inch Diameters

0.26

Straight

ItemID:	Catalog Number	Diameter	Length	KW	Volts	Element Shape
4622	12NT21-165	0.260	12.00	0.165	120	Straight
4623	16NT21-255	0.260	16.00	0.255	120	Straight
7378	18NT21-150	0.260	18.00	0.150	120	Straight
7383	20NT21-250	0.260	20.00	0.250	120	Straight
4624	20NT21-340	0.260	20.00	0.340	120	Straight
4625	24NT21-430	0.260	24.00	0.430	120	Straight
4635	24NT22-430	0.260	24.00	0.430	240	Straight
7392	25NT21-350	0.260	25.00	0.350	120	Straight
4626	28NT21-515	0.260	28.00	0.515	120	Straight

Tubular Heaters

.260, .315, .375, .425, .475 Inch Diameters

0.26

Straight

ItemID:	Catalog Number	Diameter	Length	KW	Volts	Element Shape
4636	28NT22-515	0.260	28.00	0.515	240	Straight
4637	30NT22-650	0.260	30.00	0.650	240	Straight
7404	30NT21-650	0.260	30.00	0.650	120	Straight
4627	32NT21-605	0.260	32.00	0.605	120	Straight
4638	32NT22-605	0.260	32.00	0.605	240	Straight
4628	36NT21-690	0.260	36.00	0.690	120	Straight
4639	36NT22-690	0.260	36.00	0.690	240	Straight
4629	40NT21-780	0.260	40.00	0.780	120	Straight
4755	40NT22-780	0.260	40.00	0.780	240	Straight
7417	40NT22-1000	0.260	40.00	1.000	240	Straight
4630	44NT21-750	0.260	44.00	0.750	120	Straight
7425	45NT22-1250	0.260	45.00	1.250	240	Straight
4631	46NT21-910	0.260	46.00	0.910	120	Straight
4641	46NT22-910	0.260	46.00	0.910	240	Straight
7433	50NT21-500	0.260	50.00	0.500	120	Straight
7432	50NT21-1300	0.260	50.00	1.300	120	Straight
4632	52NT21-1045	0.260	52.00	1.045	120	Straight
4642	52NT22-1045	0.260	52.00	1.045	240	Straight
4800	TRI-55XX	0.260	55.00	1.000	220	Straight
7445	56NT21-2000	0.260	56.00	2.000	120	Straight
7447	58NT22-1250	0.260	58.00	1.250	240	Straight
4643	60NT22-1500	0.260	60.00	1.500	240	Straight
7453	61NT21-2500	0.260	61.00	2.500	120	Straight
7495	63NT21-1500	0.260	63.00	1.500	120	Straight
4633	64NT21-1310	0.260	64.00	1.310	120	Straight
4644	64NT22-1310	0.260	64.00	1.310	240	Straight
7457	65NT21-2500	0.260	65.00	2.500	120	Straight
7469	75NT22-1440	0.260	75.00	1.440	240	Straight
4634	75NT21-1500	0.260	75.00	1.500	120	Straight
4645	76NT22-1600	0.260	76.00	1.600	240	Straight
7476	80NT21-2000	0.260	80.00	2.000	120	Straight
4646	82NT22-1700	0.260	82.00	1.700	240	Straight
7487	92NT22-2700	0.260	92.00	2.700	240	Straight
4664	94NT22-1965	0.260	94.00	1.960	240	Straight
7507	101NT22-1000	0.260	101.00	1.000	240	Straight

0.315

Hair Pin

ItemID:	Catalog Number	Diameter	Length	KW	Volts	Element Shape
7588	UN6W2	0.315	7.00	0.125	240	Hair Pin
7587	UN6W1	0.315	7.00	125.000	120	Hair Pin
4771	UN7T1	0.315	8.00	0.750	120	Hair Pin
4785	UN7T2	0.315	8.00	0.750	240	Hair Pin
7589	UN8W1	0.315	9.00	0.175	120	Hair Pin

Tubular Heaters

.260, .315, .375, .425, .475 Inch Diameters

0.315

Hair Pin

ItemID:	Catalog Number	Diameter	Length	KW	Volts	Element Shape
7590	UN8W2	0.315	9.00	0.175	240	Hair Pin
4786	UN8T1	0.315	9.00	1.000	120	Hair Pin
4784	UN8T2	0.315	9.00	1.000	240	Hair Pin
4783	UN8T3V	0.315	9.00	1.000	380	Hair Pin
4782	UN8T4V	0.315	9.00	1.000	415	Hair Pin
4781	UN8T4	0.315	9.00	1.000	480	Hair Pin
4780	UN9T1	0.315	10.00	1.250	120	Hair Pin
4763	UN9T2	0.315	10.00	1.250	240	Hair Pin
4778	UN9T4	0.315	10.00	1.250	480	Hair Pin
4777	UN11T1	0.315	12.00	1.500	120	Hair Pin
4776	UN11T2	0.315	12.00	1.500	240	Hair Pin
4775	UN11T4	0.315	12.00	1.500	480	Hair Pin
7591	UN12W2	0.315	13.00	0.250	250	Hair Pin
4774	UN13T1	0.315	14.00	2.000	120	Hair Pin
4773	UN13T2	0.315	14.00	2.000	240	Hair Pin
4772	UN13T4	0.315	14.00	2.000	480	Hair Pin
4811	12W1	0.315	14.38	250.000	120	Hair Pin
4765	UN16T2	0.315	17.00	3.000	240	Hair Pin
4770	UN18T1	0.315	19.00	2.500	120	Hair Pin
4769	UN18T2	0.315	19.00	2.500	240	Hair Pin
4768	UN18T4	0.315	19.00	2.500	480	Hair Pin
4008	UN21T4E084	0.315	22.00	0.833	240	Hair Pin
4767	UN21T2	0.315	22.00	3.000	240	Hair Pin
4766	UN21T4	0.315	22.00	3.000	480	Hair Pin
4006	UN22R2-6	0.315	23.00	6.000	240	Hair Pin
4764	UN22T2	0.315	23.00	6.000	240	Hair Pin
7592	UN29W1	0.315	30.00	0.500	120	Hair Pin
4797	UN129T2	0.315	129.00	3.000	240	Hair Pin

Straight

ItemID:	Catalog Number	Diameter	Length	KW	Volts	Element Shape
4756	17-13T3E031	0.315	0.00	0.350	120	Straight
7501	16NT31-275	0.315	16.00	0.275	120	Straight
7375	17NT31-350	0.315	17.00	0.350	120	Straight
7382	18NT31-350	0.315	18.00	0.350	120	Straight
7387	21NT31-650	0.315	21.00	0.650	120	Straight
4647	22NT31-500	0.315	22.00	0.500	120	Straight
7388	22NT32-1000	0.315	22.00	1.000	240	Straight
7389	23NT31-400	0.315	23.00	0.400	120	Straight
7390	24NT32-500	0.315	24.00	5.000	240	Straight
4005	25NT32-350	0.315	25.00	0.350	240	Straight
4648	25NT31-650	0.315	25.00	0.650	120	Straight
7393	25NT32-650	0.315	25.00	0.650	240	Straight
7395	26NT32-1000	0.315	26.00	1.000	240	Straight

Tubular Heaters

.260, .315, .375, .425, .475 Inch Diameters

0.315

Straight

ItemID:	Catalog Number	Diameter	Length	KW	Volts	Element Shape
7503	27NT32-700	0.315	27.00	0.700	240	Straight
4649	28NT31-625	0.315	28.00	0.625	120	Straight
7396	28NT32-625	0.315	28.00	0.625	240	Straight
4650	30NT31-800	0.315	30.00	0.800	120	Straight
4656	30NT32-800	0.315	30.00	0.800	240	Straight
7405	30NT32-1000	0.315	30.00	1.000	240	Straight
7406	31NT32-600	0.315	31.00	0.600	240	Straight
4651	31NT31-600	0.315	31.00	0.600	120	Straight
7505	32NT32-750	0.315	32.00	0.750	240	Straight
7408	34NT31-750	0.315	34.00	0.750	120	Straight
4652	34NT31-900	0.315	34.00	0.900	120	Straight
4657	34NT32-900	0.315	34.00	0.900	240	Straight
7410	36NT31-750	0.315	36.00	0.750	120	Straight
7409	36NT32-750	0.315	36.00	0.750	240	Straight
4653	37NT31-1200	0.315	37.00	1.200	120	Straight
7416	38NT31-800	0.315	38.00	0.800	120	Straight
4754	38NT32-1050	0.315	38.00	1.050	120	Straight
4658	38NT31-1050	0.315	38.00	1.050	240	Straight
4659	40NT32-975	0.315	40.00	0.975	240	Straight
7418	40NT31-1000	0.315	40.00	1.000	120	Straight
4655	42NT31-1200	0.315	42.00	1.200	120	Straight
4660	42NT32-1200	0.315	42.00	1.200	240	Straight
7424	44NT32- 500	0.315	44.00	0.500	240	Straight
7423	44NT31-1000	0.315	44.00	1.000	120	Straight
7426	45NT32-1200	0.315	45.00	1.200	240	Straight
7429	48NT31-1350	0.315	48.00	1.350	120	Straight
4661	48NT32-1350	0.315	48.00	1.350	240	Straight
7431	49NT32-1350	0.315	49.00	1.350	240	Straight
7434	50NT31-1450	0.315	50.00	1.450	120	Straight
7435	50NT32-1450	0.315	50.00	1.450	240	Straight
7438	53NT31-1200	0.315	53.00	1.200	120	Straight
7437	53NT32-1200	0.315	53.00	1.200	240	Straight
4662	54NT32-1550	0.315	54.00	1.550	240	Straight
7444	54NT31-1550	0.315	54.00	1.550	120	Straight
7452	61NT32-1500	0.315	61.00	1.500	240	Straight
7454	62NT32-1850	0.315	62.00	1.850	240	Straight
7456	64NT32-2500	0.315	64.00	2.500	240	Straight
7458	66NT31-1950	0.315	66.00	1.950	120	Straight
7459	66NT32-1950	0.315	66.00	1.950	240	Straight
7466	70NT32-1850	0.315	70.00	1.850	240	Straight
7468	74NT32-700	0.315	74.00	0.700	240	Straight
7467	74NT31-1100	0.315	74.00	1.100	120	Straight
7475	78NT32-1100	0.315	78.00	1.100	240	Straight
7473	78NT31-2000	0.315	78.00	2.000	120	Straight
7474	78NT32-2000	0.315	78.00	2.000	240	Straight

Tubular Heaters

.260, .315, .375, .425, .475 Inch Diameters

0.315

Straight

ItemID:	Catalog Number	Diameter	Length	KW	Volts	Element Shape
7477	82NT32-1250	0.315	82.00	1.250	240	Straight
7478	82NT32-2200	0.315	82.00	2.200	240	Straight
4663	86NT32-2600	0.315	86.00	2.600	240	Straight
7486	91NT32-2500	0.315	91.00	2.500	240	Straight
7488	95NT31-2500	0.315	95.00	2.500	120	Straight
7489	95NT32-2500	0.315	95.00	2.500	240	Straight
7490	98NT32-3000	0.315	98.00	3.000	240	Straight
7353	102NT32-3150	0.315	102.00	3.150	240	Straight
7361	112NT32-3000	0.315	112.00	3.000	240	Straight
7360	112NT32-3050	0.315	112.00	3.050	240	Straight
7362	120NT32-2000	0.315	120.00	2.000	240	Straight
7365	129NT32-3500	0.315	129.00	3.500	240	Straight
7368	138NT32-3000	0.315	138.00	3.000	240	Straight
7370	146NT32-4000	0.315	146.00	4.000	240	Straight

0.375

Hair Pin

ItemID:	Catalog Number	Diameter	Length	KW	Volts	Element Shape
4736	UAD-801	0.375	10.50	0.800	120	Hair Pin
4737	UAD-802	0.375	10.50	0.800	240	Hair Pin
4795	ATU-1260-F	0.375	12.00	0.600	120	Hair Pin
4762	ATU-1267	0.375	12.00	0.675	240	Hair Pin
4738	UAD-1101	0.375	13.56	1.100	120	Hair Pin
4739	UAD-1102	0.375	13.56	1.100	240	Hair Pin
4740	UAD-1302	0.375	16.06	1.300	240	Hair Pin
4741	UAD-1304	0.375	16.06	1.300	480	Hair Pin
4788	UTU-4LTX4	0.375	21.00	2.000	240	Hair Pin
4787	UTU-4LTX5	0.375	21.00	2.000	480	Hair Pin
4742	UAD-1802	0.375	21.31	1.800	240	Hair Pin
4743	UAD-1804	0.375	21.31	1.800	480	Hair Pin
4744	UAD-2502	0.375	28.69	2.500	240	Hair Pin
4745	UAD-2504	0.375	28.69	2.500	480	Hair Pin
4793	UTU-6VLT	0.375	34.00	3.000	380	Hair Pin
4792	UTU-6303	0.375	34.00	3.000	480	Hair Pin
4746	UAD-3002	0.375	34.56	3.000	240	Hair Pin
4747	UAD-3004	0.375	34.56	3.000	480	Hair Pin
4748	UAD-3602	0.375	40.56	3.600	240	Hair Pin
4749	UAD-3604	0.375	40.56	3.600	480	Hair Pin
4799	UTU-7LTX7	0.375	41.00	4.500	480	Hair Pin
4654	UAD-4002	0.375	109.25	4.000	240	Hair Pin

Straight

ItemID:	Catalog Number	Diameter	Length	KW	Volts	Element Shape
---------	----------------	----------	--------	----	-------	---------------

Tubular Heaters

.260, .315, .375, .425, .475 Inch Diameters

0.375

Straight

ItemID:	Catalog Number	Diameter	Length	KW	Volts	Element Shape
4721	AD-801	0.375	22.00	0.800	120	Straight
4722	AD-802	0.375	22.00	0.800	240	Straight
4801	AD1102WX	0.375	27.16	0.750	240	Straight
4723	AD-1101	0.375	28.00	1.100	120	Straight
4724	AD-1102	0.375	28.00	1.100	240	Straight
4802	AD-1102V	0.375	28.00	1.100	275	Straight
4803	RTU-3133A	0.375	32.00	1.300	208	Straight
4804	RTU-3133	0.375	32.00	1.300	240	Straight
4725	AD-1302	0.375	33.00	1.300	240	Straight
4726	AD-1304	0.375	33.00	1.300	480	Straight
4806	AD-2002	0.375	42.84	2.000	240	Straight
4727	AD-1802	0.375	44.00	1.800	240	Straight
4728	AD-1804	0.375	44.00	1.800	480	Straight
4805	AD-1802X65	0.375	44.00	2.000	240	Straight
4807	AD-2502V	0.375	58.00	2.500	208	Straight
4729	AD-2502	0.375	58.00	2.500	240	Straight
4730	AD-2504	0.375	58.00	2.500	480	Straight
4731	AD-3002	0.375	69.25	3.000	240	Straight
4732	AD-3004	0.375	70.00	3.000	480	Straight
4809	RTU-7363	0.375	75.00	3.600	240	Straight
4810	RTU-7363-480	0.375	75.00	3.600	480	Straight
4734	AD-3604	0.375	81.28	3.600	480	Straight
4733	AD-3602	0.375	82.00	3.600	240	Straight
4808	AD-3627	0.375	82.00	3.600	275	Straight
4735	AD-4002	0.375	109.25	4.000	240	Straight

0.43

Hair Pin

ItemID:	Catalog Number	Diameter	Length	KW	Volts	Element Shape
4000	UN49S5	0.430	50.00	6.000	480	Hair Pin

Straight

ItemID:	Catalog Number	Diameter	Length	KW	Volts	Element Shape
7428	47NT41-1500	0.430	47.00	1.500	120	Straight
7354	105NT4X2-5300	0.430	105.00	5.300	240	Straight
7373	157NT42-6000	0.430	157.00	6.000	240	Straight
7376	175NT42-7000	0.430	175.00	7.000	240	Straight

0.475

Hair Pin

ItemID:	Catalog Number	Diameter	Length	KW	Volts	Element Shape
4665	UN13M1	0.475	14.00	0.750	120	Hair Pin

Tubular Heaters

.260, .315, .375, .425, .475 Inch Diameters

0.475

Hair Pin

ItemID:	Catalog Number	Diameter	Length	KW	Volts	Element Shape
4670	UN13M2	0.475	14.00	0.750	240	Hair Pin
4689	UN13M4	0.475	14.00	0.750	480	Hair Pin
4671	UN13H2	0.475	14.00	1.500	240	Hair Pin
4690	UN13H4	0.475	14.00	1.500	480	Hair Pin
4779	GUN15R1	0.475	15.00	2.000	120	Hair Pin
4666	UN18M1	0.475	19.00	1.000	120	Hair Pin
4672	UN18M2	0.475	19.00	1.000	240	Hair Pin
4691	UN18M4	0.475	19.00	1.000	480	Hair Pin
4673	UN18H2	0.475	19.00	2.000	240	Hair Pin
4692	UN18H4	0.475	19.00	2.000	480	Hair Pin
4667	UN20M1	0.475	21.00	1.250	120	Hair Pin
4674	UN20M2	0.475	21.00	1.250	240	Hair Pin
4693	UN20M4	0.475	21.00	1.250	480	Hair Pin
4750	GUN-21R2	0.475	21.00	2.000	240	Hair Pin
4794	X-GUN-21R2	0.475	21.00	2.000	240	Hair Pin
4791	GUN21R4	0.475	21.00	2.000	480	Hair Pin
4751	GUN-21R4	0.475	21.00	2.000	480	Hair Pin
4675	UN20H2	0.475	21.00	2.500	240	Hair Pin
4694	UN20H4	0.475	21.00	2.500	480	Hair Pin
4668	UN25M1	0.475	26.00	1.500	120	Hair Pin
4676	UN25M2	0.475	26.00	1.500	240	Hair Pin
4695	UN25M4	0.475	26.00	1.500	480	Hair Pin
4677	UN25H2	0.475	26.00	3.000	240	Hair Pin
4696	UN25H4	0.475	26.00	3.000	480	Hair Pin
3998	UN26M5	0.475	27.00	1.500	57	Hair Pin
4697	UN33M4	0.475	33.00	2.000	480	Hair Pin
4669	UN33M1	0.475	34.00	2.000	120	Hair Pin
4678	UN33M2	0.475	34.00	2.000	240	Hair Pin
4679	UN33H2	0.475	34.00	4.000	240	Hair Pin
4640	UN33H4	0.475	34.00	4.000	480	Hair Pin
4698	UN33B4	0.475	34.00	5.000	480	Hair Pin
4680	UN40M2	0.475	41.00	2.500	240	Hair Pin
4699	UN40M4	0.475	41.00	2.500	480	Hair Pin
4681	UN40H2	0.475	41.00	5.000	240	Hair Pin
4700	UN40H4	0.475	41.00	5.000	480	Hair Pin
4790	X-GUN42R2	0.475	42.00	4.500	240	Hair Pin
4752	GUN-42R2	0.475	42.00	4.500	240	Hair Pin
4753	GUN-42R4	0.475	42.00	4.500	480	Hair Pin
4789	XGUN42R4	0.475	42.00	4.500	480	Hair Pin
4701	UN43B4	0.475	44.00	6.670	480	Hair Pin
4682	UN48M2	0.475	49.00	3.000	240	Hair Pin
4702	UN48M4	0.475	49.00	3.000	480	Hair Pin
4683	UN48H2	0.475	49.00	6.000	240	Hair Pin
4703	UN48H4	0.475	49.00	6.000	480	Hair Pin
4684	UN52M2	0.475	53.00	3.330	240	Hair Pin

Tubular Heaters

.260, .315, .375, .425, .475 Inch Diameters

0.475

Hair Pin

ItemID:	Catalog Number	Diameter	Length	KW	Volts	Element Shape
4704	UN52M4	0.475	53.00	3.330	480	Hair Pin
4705	UN52H4	0.475	53.00	6.000	480	Hair Pin
4706	UN52B4	0.475	53.00	8.330	480	Hair Pin
4001	UN56X4	0.475	57.00	2.750	480	Hair Pin
4685	UN61H2	0.475	62.00	8.330	240	Hair Pin
4707	UN61H4	0.475	62.00	8.330	480	Hair Pin
4708	UN61B4	0.475	62.00	10.000	480	Hair Pin
4709	UN64M4	0.475	64.00	4.250	480	Hair Pin
4686	UN64M2	0.475	65.00	4.250	240	Hair Pin
4687	UN77M2	0.475	78.00	5.000	240	Hair Pin
4710	UN77M4	0.475	78.00	5.000	480	Hair Pin
4688	UN78H2	0.475	79.00	11.100	240	Hair Pin
4711	UN78H4	0.475	79.00	11.100	480	Hair Pin
4712	UN88M4	0.475	89.00	5.600	480	Hair Pin
4713	UN88H4	0.475	89.00	12.500	480	Hair Pin
4714	UN88B4	0.475	89.00	14.800	480	Hair Pin
4715	UN106M4	0.475	107.00	6.300	480	Hair Pin
4716	UN106H4	0.475	107.00	13.900	480	Hair Pin
4717	UN106B4	0.475	107.00	16.700	480	Hair Pin
4718	UN120M4	0.475	121.00	6.300	480	Hair Pin
4719	UN120H4	0.475	121.00	15.000	480	Hair Pin
4720	UN120B4	0.475	121.00	19.000	480	Hair Pin

Straight

ItemID:	Catalog Number	Diameter	Length	KW	Volts	Element Shape
4796	U192T4X422-NP	0.475	0.00	4.200	240	Straight
7377	17NT42-800	0.475	17.00	0.800	240	Straight
7496	20NT41-1000	0.475	20.00	1.000	120	Straight
7391	24NT42-915	0.475	24.00	0.915	240	Straight
7499	25NT41-500	0.475	25.00	0.500	120	Straight
7394	25NT42-1000	0.475	25.00	1.000	240	Straight
7397	28NT42-1000	0.475	28.00	1.000	240	Straight
7398	28NT42-1700	0.475	28.00	1.700	240	Straight
7399	29NT41-750	0.475	29.00	0.750	120	Straight
7401	29NT42-750	0.475	29.00	0.750	240	Straight
7403	29NT44-750	0.475	29.00	0.750	480	Straight
7400	29NT42-1500	0.475	29.00	1.500	240	Straight
7402	29NT44-1500	0.475	29.00	1.500	480	Straight
7407	32NT42-1500	0.475	32.00	1.500	240	Straight
7411	38NT41-1000	0.475	38.00	1.000	120	Straight
7412	38NT42-1000	0.475	38.00	1.000	240	Straight
7414	38NT44-1000	0.475	38.00	1.000	480	Straight
7413	38NT42-2000	0.475	38.00	2.000	240	Straight
7415	38NT44-2000	0.475	38.00	2.000	480	Straight

Tubular Heaters

.260, .315, .375, .425, .475 Inch Diameters

0.475

Straight

ItemID:	Catalog Number	Diameter	Length	KW	Volts	Element Shape
7419	42NT41-1250	0.475	42.00	1.250	120	Straight
7420	42NT42-1250	0.475	42.00	1.250	240	Straight
7421	42NT44-1250	0.475	42.00	1.250	480	Straight
7506	42NT42-2500	0.475	42.00	2.500	240	Straight
7422	42NT44-2500	0.475	42.00	2.500	480	Straight
7498	43NT42-1250	0.475	43.00	1.250	240	Straight
7427	45NT42-4000	0.475	45.00	4.000	240	Straight
7430	48NT42-3000	0.475	48.00	3.000	240	Straight
7436	52NT42-2000	0.475	52.00	2.000	240	Straight
7439	53NT41-1500	0.475	53.00	1.500	120	Straight
7440	53NT42-1500	0.475	53.00	1.500	240	Straight
7442	53NT44-1500	0.475	53.00	1.500	480	Straight
7441	53NT42-3000	0.475	53.00	3.000	240	Straight
7443	53NT44-3000	0.475	53.00	3.000	480	Straight
7446	57NT42-3300	0.475	57.00	3.300	240	Straight
7448	58NT44-1250	0.475	58.00	1.250	480	Straight
7449	59NT42-2000	0.475	59.00	2.000	240	Straight
7450	60NT42-2150	0.475	60.00	2.150	240	Straight
7504	60NT41-2500	0.475	60.00	2.500	120	Straight
7451	60NT42-2500	0.475	60.00	2.500	240	Straight
7455	64NT44- 833	0.475	64.00	0.833	480	Straight
7460	68NT41-2000	0.475	68.00	2.000	120	Straight
7461	68NT42-2000	0.475	68.00	2.000	240	Straight
7463	68NT44-2000	0.475	68.00	2.000	480	Straight
7462	68NT42-4000	0.475	68.00	4.000	240	Straight
7464	68NT44-4000	0.475	68.00	4.000	480	Straight
7465	68NT44-5000	0.475	68.00	5.000	480	Straight
7509	70NT42-1667	0.475	70.00	1.667	240	Straight
7497	70NT42-4000	0.475	70.00	4.000	240	Straight
7470	75NT4V2000	0.475	75.00	2.000	415	Straight
7471	76NT44-833	0.475	76.00	0.833	480	Straight
7472	76NT44-2000	0.475	76.00	2.000	480	Straight
7500	82NT42-3375	0.475	82.00	3.375	240	Straight
7479	83NT42-2500	0.475	83.00	2.500	240	Straight
7481	83NT44-2500	0.475	83.00	2.500	480	Straight
7480	83NT42-5000	0.475	83.00	5.000	240	Straight
7482	83NT44-5000	0.475	83.00	5.000	480	Straight
7483	84NT42-3000	0.475	84.00	3.000	240	Straight
7484	84NT44-3000	0.475	84.00	3.000	480	Straight
7485	88NT44-6667	0.475	88.00	6.667	480	Straight
7491	98NT42-3000	0.475	98.00	3.000	240	Straight
7493	98NT44-3000	0.475	98.00	3.000	480	Straight
7492	98NT42-6000	0.475	98.00	6.000	240	Straight
7494	98NT44-6000	0.475	98.00	6.000	480	Straight
7355	106NT42-3333	0.475	106.00	3.333	240	Straight

Tubular Heaters

.260, .315, .375, .425, .475 Inch Diameters

0.475

Straight

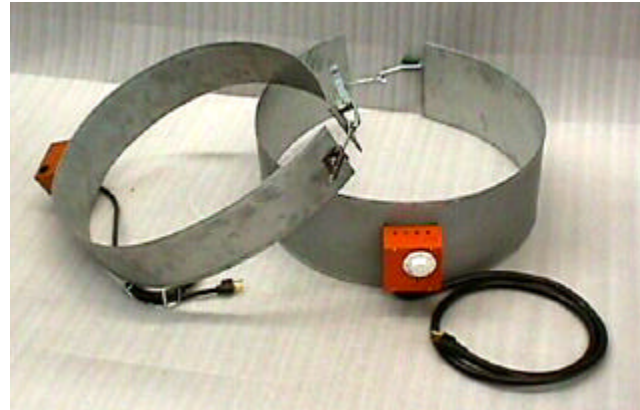
ItemID:	Catalog Number	Diameter	Length	KW	Volts	Element Shape
7356	106NT44-3333	0.475	106.00	3.333	480	Straight
7357	106NT44-6000	0.475	106.00	6.000	480	Straight
7358	106NT44-8333	0.475	106.00	8.333	480	Straight
7359	108NT42-3334	0.475	108.00	3.333	240	Straight
7502	111NT42-2000	0.475	111.00	2.000	240	Straight
7364	125NT44-8330	0.475	125.00	8.330	480	Straight
7363	125NT44-10000	0.475	125.00	10.000	480	Straight
7366	131NT42-4250	0.475	131.00	4.250	240	Straight
7367	131NT44-4250	0.475	131.00	4.250	480	Straight
7369	145NT44-5000	0.475	145.00	5.000	480	Straight
7371	156NT42-5000	0.475	156.00	5.000	240	Straight
7372	156NT44-5000	0.475	156.00	5.000	480	Straight
7374	160NT44-11100	0.475	160.00	11.100	480	Straight
7381	180NT44-5600	0.475	180.00	5.600	480	Straight
7379	180NT44-12500	0.475	180.00	12.500	480	Straight
7380	180NT44-14800	0.475	180.00	14.800	480	Straight
7386	215NT44-6300	0.475	215.00	6.300	480	Straight
7384	215NT44-13900	0.475	215.00	13.900	480	Straight
7385	215NT44-16700	0.475	215.00	16.700	480	Straight

Mica Type Drum Heater

Type GDH

APPLICATIONS

Primarily used for heating low-melting-point solids such as tar, molasses, and cooking oil which are stored in standard metal 55 gallon drums.



STANDARD FEATURES

Constructed of corrosion resistant nickel plated steel throughout. It is provided with a pilot light, infinite control switch, and a six (6) foot heavy duty rubber insulated cable.

Catalog Number	KW	Voltage	Width (inches)	Drum (inches) Diameter	Net Weight (lbs.)
GDH-55-1512	1.5	120	3	22.5	18
GDH-55-15125	1.5	120	5	22.5	22
GDH-55-2524	2.5	240	5	22.5	22
GDH-55-34248	3.4	240	8	22.5	30

Flexible Drum Heater

Type F

APPLICATIONS

Provides uniform surface heat with thermostatic control. Designed to fit on standard industrial metal drums containing oils, resins, adhesives, and other materials considered "hard to heat".

STANDARD FEATURES

Fiberglass reinforced silicone rubber vulcanized around a multistrand resistance wire. Eight (8) inch wide heater has built-in adjustable thermostat, 0 - 450° F.



Catalog Number	Capacity (Gallons)	Fits Diam. (inches)	kW	Volts	Description	Weight (lbs.)
F5-120-350	5	11.5	0.35	120	Flexible Drum Heater	3
F15-120-500	15	14	0.5	120	Flexible Drum Heater	3
F30-120-750	30	18	0.5	120	Flexible Drum Heater	4
F55-120-750	55	22.5	0.75	120	Flexible Drum Heater	4
F55-120-1500	55	22.5	1.5	120	Flexible Drum Heater	5
F55-240-1500	55	22.5	1.5	240	Flexible Drum Heater	5
FI-5	5	11.5			Insulating Blanket	2
FI-15	15	15			Insulating Blanket	3
FI-30	30	18			Insulating Blanket	4
FI-55	55	22.5			Insulating Blanket	5

Radiant Heaters

GAD Single Element, Completely Assembled

APPLICATIONS

Type GAD Radiant Heaters are suitable for drying, baking, curing, sterilizing, and many other applications requiring contact-free heating. Long wave length is suitable for most colors.

STANDARD FEATURES

Rigid extruded aluminum housing, highly polished aluminum reflector, isolated Incoloy 800 sheathed tubular heating element, and mounting clamps.

ACCESSORIES

Type RHTW High Temperature Wire and type RH High Temperature Terminal Connectors must be ordered separately.



Gaumer Catalog Number	Dimensions (inches)		Volts	kW	Watt Density:	Replacement Element	Weight (lbs.)
	A	B					
GAD-801	24.375	16.500	120	0.8	41	AD801	4
GAD-802	24.375	16.500	240	0.8	41	AD802	4
GAD-1101	30.625	22.750	120	1.1	41	AD1101	5
GAD-1102	30.625	22.750	240	1.1	41	AD1102	5
GAD-1302	35.875	28.250	240	1.3	39	AD1302	7
GAD-1304	35.875	28.250	480	1.3	39	AD1304	7
GAD-1802	46.625	38.500	240	1.8	40	AD1802	8
GAD-1804	46.625	38.500	480	1.8	40	AD1804	8
GAD-2502	61.375	53.375	240	2.5	40	AD2502	10
GAD-2504	61.375	53.375	480	2.5	40	AD2504	10
GAD-3002	73.750	65.750	240	3.0	39	AD3002	12
GAD-3004	73.750	65.750	480	3.0	39	AD3004	12
GAD-3602	85.750	78.000	240	3.6	39	AD3602	14
GAD-3604	85.750	78.000	480	3.6	39	AD3604	14
GADD-8002	114.125	106.000	240	4.0	39	AD4002	34
GADD-8004	114.125	106.000	480	4.0	39	AD4004	34

Radiant Heaters

GADD Double Element, Completely Assembled

APPLICATIONS

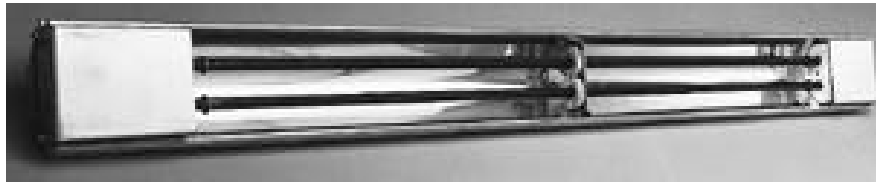
Type GADD Radiant Heaters are suitable for drying, baking, curing, sterilizing, and many other applications requiring contact-free heating. Long wave length is suitable for most colors.

STANDARD FEATURES

Rigid extruded aluminum housing, highly polished aluminum reflector, isolated Incoloy 800 sheathed tubular heating element, and mounting clamps.

ACCESSORIES

Type RHTW High Temperature Wire and type RH High Temperature Terminal Connectors must be ordered separately.



Gaumer Catalog No.	Dimensions (inches)		Volts	kW	Watt Density	Replacement Elements	Weight (lbs.)
	A	B					
GADD-1601	24.375	16.500	120	1.6	41	AD801	7
GADD-1601S	24.375	16.500	240	1.6	41	AD801	7
GADD-1602	24.375	16.500	240	1.6	41	AD802	7
GADD-2201	30.625	22.750	120	2.2	41	AD1101	9
GADD-2201S	30.625	22.750	240	2.2	41	AD1101	9
GADD-2202	30.625	22.750	240	2.2	41	AD1102	9
GADD-2602	37.875	28.250	240	2.6	39	AD1302	10
GADD-2602S	37.875	28.250	480	2.6	39	AD1302	10
GADD-2604	37.875	28.250	480	2.6	39	AD1304	10
GADD-3602	46.625	38.500	240	3.6	40	AD1802	11
GADD-3604	46.625	38.500	480	3.6	40	AD1804	11
GADD-3602S	46.625	38.500	480	3.6	40	AD1802	11
GADD-5002	61.375	53.375	240	5.0	40	AD2502	14
GADD-5002S	61.375	53.375	480	5.0	40	AD2502	14
GADD-5004	61.375	53.375	480	5.0	40	AD2504	14
GADD-6002	73.750	65.750	240	6.0	39	AD3002	16

Radiant Heaters
GADD Double Element, Completely Assembled

GADD-6002S	73.750	65.750	480	6.0	39	AD3002	16
GADD-6004	73.750	65.750	480	6.0	39	AD3004	16
GADD-7202	85.750	78.000	240	7.2	39	AD3602	18
GADD-7202S	85.750	78.000	480	7.2	39	AD3602	18
GADD-7204	85.750	78.000	480	7.2	39	AD3604	18
GADD-8002	114.125	106.000	240	8.0	39	AD4002	34
GADD-8004	114.125	106.000	480	8.0	39	AD4004	34

Radiant Heaters

U-GAD, Single Element, Double Intensity

APPLICATIONS

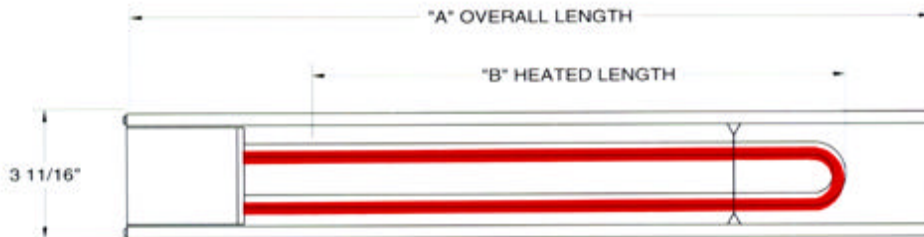
Type U-GAD Radiant Heaters are suitable for drying, baking, curing, sterilizing, and many other applications requiring contact-free heating. Long wave length is suitable for most colors.

STANDARD FEATURES

Rigid extruded aluminum housing, highly polished aluminum reflector, isolated Incoloy 800 sheathed tubular heating element, and mounting clamps.

ACCESSORIES

Type RHTW High Temperature Wire and type RH High Temperature Terminal Connectors must be ordered separately.



Gaumer Catalog Number	Dimensions (inches)		Volts	kW	Watt Density:	Replacement Element	Weight (lbs.)
	A	B					
U-GAD-801	12.750	8.500	120	0.8	41	UAD801	4
U-GAD-802	12.750	8.500	240	0.8	41	UAD802	4
U-GAD-1101	15.875	11.250	120	1.1	41	UAD1101	5
U-GAD-1102	15.875	11.250	240	1.1	41	UAD1102	5
U-GAD-1302	18.375	13.875	240	1.3	39	UAD1302	6
U-GAD-1304	18.375	13.875	480	1.3	39	UAD1304	6
U-GAD-1802	23.875	19.375	240	1.8	40	UAD1802	7
U-GAD-1804	23.875	19.375	480	1.8	40	UAD1804	7
U-GAD-2502	31.250	26.875	240	2.5	40	UAD2502	8
U-GAD-2504	31.250	26.875	480	2.5	40	UAD2504	8
U-GAD-3002	37.250	32.875	240	3.0	39	UAD3002	10
U-GAD-3004	37.250	32.875	480	3.0	39	UAD3004	10
U-GAD-3602	43.375	38.375	240	3.6	39	UAD3602	12
U-GAD-3604	43.375	38.375	480	3.6	39	UAD3604	12

Radiant Heaters

U-GADLT, Single Element, Double Intensity

APPLICATIONS

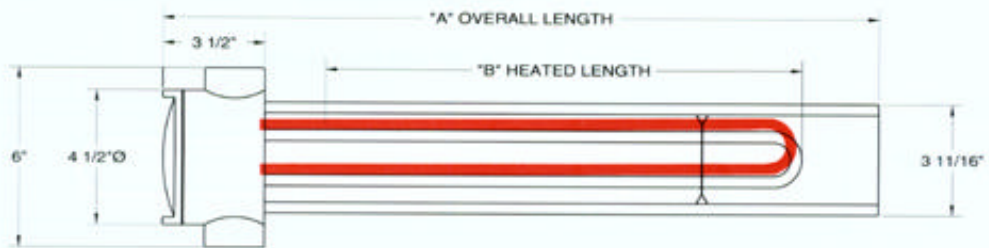
Type U-GADLT Radiant Heaters are suitable for applications exposed to weather as well as those processes requiring periodic "wash down". They are commonly used as "spot heaters" for pumps, motors, and other equipment subject to damage in cold environments.

STANDARD FEATURES

Cast terminal enclosure with gasket, rigid extruded aluminum housing, highly polished aluminum reflector, Incoloy 800 sheathed tubular heating element, and mounting clamps.

ACCESSORIES

Type RHTW High Temperature Wire and type RH High Temperature Terminal Connectors must be ordered separately.



Dimensions (inches)		Volts	kW	Watt Density:	Net Weight (lbs.)	Gaumer Catalog No.	Replacement Element
A	B						
12.750	8.500	120	0.8	41	9	U-GAD-801LT	UAD801
12.750	8.500	240	0.8	41	9	U-GAD-802LT	UAD802
15.875	11.250	120	1.1	41	10	U-GAD-1101LT	UAD1101
15.875	11.250	240	1.1	41	10	U-GAD-1102LT	UAD1102
18.375	13.875	240	1.3	39	11	U-GAD-1302LT	UAD1302
18.375	13.875	480	1.3	39	11	U-GAD-1304LT	UAD1304
23.875	19.375	240	1.8	40	12	U-GAD-1802LT	UAD1802
23.875	19.375	480	1.8	40	12	U-GAD-1804LT	UAD1804
31.250	26.875	240	2.5	40	13	U-GAD-2502LT	UAD2502
31.250	26.875	480	2.5	40	13	U-GAD-2504LT	UAD2504
37.250	32.875	240	3.0	39	16	U-GAD-3002LT	UAD3002
37.250	32.875	480	3.0	39	16	U-GAD-3004LT	UAD3004
43.375	38.375	240	3.6	39	20	U-GAD-3602LT	UAD3602
43.375	38.375	480	3.6	39	20	U-GAD-3604LT	UAD3604

Radiant Heaters

Type GB Series - Glass Front Panel Heater

APPLICATIONS

Type GB Glass Front Panel Heaters are suitable for drying, baking, curing, sterilizing, and many other applications requiring contact-free heating. Long wave length is suitable for most colors. They are especially desirable if the heater must be periodically wiped clean.

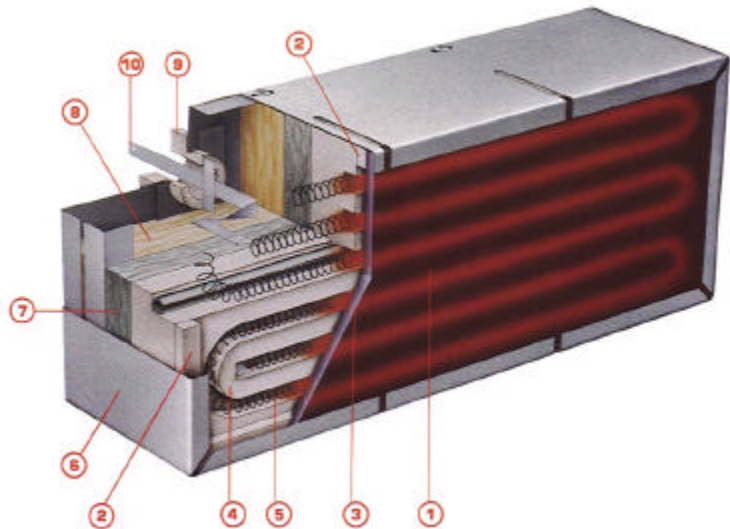
STANDARD FEATURES

Panel design utilizing iron/chromium/aluminum alloy resistor element, high temperature rated internal terminal connections, thermocouple well assembly, and backed up with high temperature insulation.

ACCESSORIES

Type J(K) thermocouple suitable for field installation. Type RHTW High Temperature Wire and type RH High Temperature Terminal Connectors recommended for field installation.

- 1 Black or clear glass emitter surface material
- 2 Ceramic standoffs keep electrically conductive glass separated from resistance wire
- 3 High temperature cement
- 4 Grooved refractory board
- 5 Precision resistance wire
- 6 Heavy gauge aluminized steel frame
- 7 Refractory blanket insulation layer
- 8 Bulk insulation
- 9 Ceramic bushings to insulate terminals
- 10 Stainless steel terminals



ItemID	Gaumer Catalog Number	kW	Voltage	Watt Density	Width (inches)	Length (inches)	Weight (lbs.)
14943	GB10-0612-120	0.72	120	10	6	12	3
14960	GB10-0612-240	0.72	240	10	6	12	3
14975	GB20-0612-120	1.44	120	20	6	12	3
14992	GB20-0612-240	1.44	240	20	6	12	3
14944	GB10-0624-240	1.44	240	10	6	24	6

Radiant Heaters

Type GB Series - Glass Front Panel Heater

ItemID	Gaumer Catalog Number	kW	Voltage	Watt Density	Width (inches)	Length (inches)	Weight (lbs.)
14961	GB10-0624-480	1.44	480	10	6	24	6
14976	GB20-0624-240	2.88	240	20	6	24	6
14993	GB20-0624-480	2.88	480	20	6	24	6
14945	GB10-0630-240	1.80	240	10	6	30	8
14962	GB10-0630-480	1.80	480	10	6	30	8
14977	GB20-0630-240	3.60	240	20	6	30	8
14994	GB20-0630-480	3.60	480	20	6	30	8
15092	GB25-0630-240	4.50	240	25	6	30	8
15093	GB25-0630-480	4.50	480	25	6	30	8
14946	GB10-0636-240	2.16	240	10	6	36	10
14963	GB10-0636-480	2.16	480	10	6	36	10
15094	GB15-0636-240	3.24	240	15	6	36	10
15095	GB15-0636-480	3.24	480	15	6	36	10
14978	GB20-0636-240	4.32	240	20	6	36	10
14995	GB20-0636-480	4.32	480	20	6	36	10
15096	GB25-0636-240	5.40	240	25	6	36	10
15097	GB25-0636-480	5.40	480	25	6	36	10
14949	GB10-1212-240	1.44	240	10	12	12	6
14966	GB10-1212-480	1.44	480	10	12	12	6
15098	GB15-1212-240	2.16	240	15	12	12	6
15099	GB15-1212-480	2.16	480	15	12	12	6
14981	GB20-1212-240	2.88	240	20	12	12	6
14998	GB20-1212-480	2.88	480	20	12	12	6
15100	GB25-1212-240	3.60	240	25	12	12	6
15101	GB25-1212-480	3.60	480	25	12	12	6
14950	GB10-1218-240	2.16	240	10	12	18	8
14967	GB10-1218-480	2.16	480	10	12	18	8
15102	GB15-1218-240	3.24	240	15	12	18	8
15103	GB15-1218-480	3.24	480	15	12	18	8
14982	GB20-1218-240	4.32	240	20	12	18	8
14999	GB20-1218-480	4.32	480	20	12	18	8
15104	GB25-1218-240	5.40	240	25	12	18	8
15105	GB25-1218-480	5.40	480	25	12	18	8
14951	GB10-1224-240	2.88	240	10	12	24	12
14968	GB10-1224-480	2.88	480	10	12	24	12
15106	GB15-1224-240	4.32	240	15	12	24	12
15107	GB15-1224-480	4.32	480	15	12	24	12
14983	GB20-1224-240	5.76	240	20	12	24	12
15000	GB20-1224-480	5.76	480	20	12	24	12
15108	GB25-1224-240	7.20	240	25	12	24	12
15109	GB25-1224-480	7.20	480	25	12	24	12
14952	GB10-1230-240	3.60	240	10	12	30	16
14969	GB10-1230-480	3.60	480	10	12	30	16
15110	GB15-1230-240	5.40	240	15	12	30	16
15111	GB15-1230-480	5.40	480	15	12	30	16
14984	GB20-1230-240	7.20	240	20	12	30	16
15001	GB20-1230-480	7.20	480	20	12	30	16
15112	GB25-1230-240	9.00	240	25	12	30	16
15113	GB25-1230-480	9.00	480	25	12	30	16

Radiant Heaters

Type GB Series - Glass Front Panel Heater

ItemID	Gaumer Catalog Number	kW	Voltage	Watt Density	Width (inches)	Length (inches)	Weight (lbs.)
14953	GB10-1236-240	4.32	240	10	12	36	20
14970	GB10-1236-480	4.32	480	10	12	36	20
15114	GB15-1236-240	6.48	240	15	12	36	20
15115	GB15-1236-480	6.48	480	15	12	36	20
14985	GB20-1236-240	8.64	240	20	12	36	20
15002	GB20-1236-480	8.64	480	20	12	36	20
15116	GB25-1236-240	10.80	240	25	12	36	20
15117	GB25-1236-480	10.80	480	25	12	36	20
14910	GF15-1616-480	3.84	480	15	16	16	12

Radiant Heaters Type GF Series - PanelHeater

APPLICATIONS

Type GF Radiant Heaters are suitable for drying, baking, curing, sterilizing, and many other applications requiring contact-free heating. Long wave length is suitable for most colors.

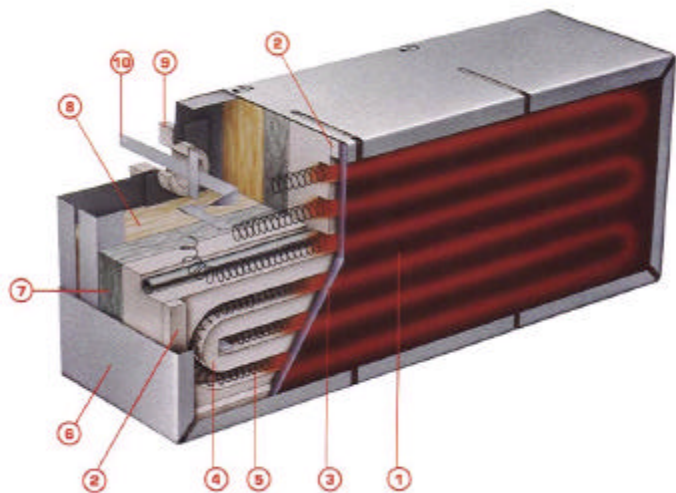
STANDARD FEATURES

Panel design utilizing iron/chromium/aluminum alloy resistor element, high temperature rated internal terminal connections, thermocouple well assembly, and backed up with high temperature insulation.

ACCESSORIES

Type J(K) thermocouple suitable for field installation. Type RHTW High Temperature Wire and type RH High Temperature Terminal Connectors recommended for field installation.

- 1 High temperature quartz cloth
- 2 High temperature Black Coating
- 3 High temperature cement bond
- 4 Grooved refractory board to hold resistance wire.
- 5 Precision resistance wire
- 6 Quartz thermowell tube
- 7 Heavy gauge aluminized frame
- 8 Refractory blanket insulation
- 9 Bulk insulation to help minimize heat loss
- 10 Ceramic bushings to insulate terminals
- 11 Stainless steel terminals



ItemID	Gaumer Catalog Number	kW	Voltage	Watt Density	Width (inches)	Length (inches)	Weight (lbs.)
15021	GF10-0612-120	0.72	120	10	6	12	3
14879	GF15-0612-120	1.08	120	15	6	12	3
14896	GF15-0612-240	1.08	240	15	6	12	3
15022	GF20-0612-240	1.44	240	20	6	12	3
14911	GF25-0612-120	1.80	120	25	6	12	3
14928	GF25-0612-240	1.80	240	25	6	12	3
15008	GF05-0618-240	0.54	240	5	6	18	5
15023	GF10-0618-120	1.08	120	10	6	18	5
15009	GF10-0618-240	1.08	240	10	6	18	5

Radiant Heaters

Type GF Series - PanelHeater

ItemID	Gaumer Catalog Number	kW	Voltage	Watt Density	Width (inches)	Length (inches)	Weight (lbs.)
15024	GF20-0618-240	2.16	240	20	6	18	5
15025	GF20-0618-480	2.16	480	20	6	18	5
15026	GF10-0624-120	1.44	120	10	6	24	6
15010	GF10-0624-240	1.44	240	10	6	24	6
14880	GF15-0624-240	2.16	240	15	6	24	6
14897	GF15-0624-480	2.16	480	15	6	24	6
15027	GF20-0624-240	2.88	240	20	6	24	6
15028	GF20-0624-480	2.88	480	20	6	24	6
14912	GF25-0624-240	3.60	240	25	6	24	6
14929	GF25-0624-480	3.60	480	25	6	24	6
15029	GF10-0630-120	1.80	120	10	6	30	8
15030	GF10-0630-240	1.80	240	10	6	30	8
14881	GF15-0630-240	2.70	240	15	6	30	8
14898	GF15-0630-480	2.70	480	15	6	30	8
15031	GF20-0630-240	3.60	240	20	6	30	8
15032	GF20-0630-480	3.60	480	20	6	30	8
14913	GF25-0630-240	4.50	240	25	6	30	8
14930	GF25-0630-480	4.50	480	25	6	30	8
15033	GF10-0636-240	2.16	240	10	6	36	8
15034	GF10-0636-480	2.16	480	10	6	36	8
14882	GF15-0636-240	3.24	240	15	6	36	8
14899	GF15-0636-480	3.24	480	15	6	36	8
15035	GF20-0636-240	4.32	240	20	6	36	8
15036	GF20-0636-480	4.32	480	20	6	36	8
14914	GF25-0636-240	5.40	240	25	6	36	8
14931	GF25-0636-480	5.40	480	25	6	36	8
15037	GF10-0642-240	2.52	240	10	6	42	10
15038	GF10-0642-480	2.52	480	10	6	42	10
15015	GF15-0642-240	3.78	240	15	6	42	10
15017	GF15-0642-480	3.78	480	15	6	42	10
15039	GF20-0642-240	5.04	240	20	6	42	10
15040	GF20-0642-480	5.04	480	20	6	42	10
15019	GF25-0642-240	6.30	240	25	6	42	10
15014	GF25-0642-480	6.30	480	25	6	42	10
15041	GF10-0648-240	2.88	240	10	6	48	12
15042	GF10-0648-480	2.88	480	10	6	48	12
14883	GF15-0648-240	4.32	240	15	6	48	12
14900	GF15-0648-480	4.32	480	15	6	48	12
14915	GF25-0648-240	7.20	240	25	6	48	12
14932	GF25-0648-480	7.20	480	25	6	48	12
15043	GF10-1212-240	1.44	240	10	12	12	6
14885	GF15-1212-240	2.16	240	15	12	12	6
14902	GF15-1212-480	2.16	480	15	12	12	6
15044	GF20-1212-240	2.88	240	20	12	12	6
15045	GF20-1212-480	2.88	480	20	12	12	6
14917	GF25-1212-240	3.60	240	25	12	12	6
14934	GF25-1212-480	3.60	480	25	12	12	6
15046	GF10-1218-240	2.16	240	10	12	18	6
15047	GF10-1218-480	2.16	480	10	12	18	6
14886	GF15-1218-240	3.24	240	15	12	18	8

Radiant Heaters

Type GF Series - PanelHeater

ItemID	Gaumer Catalog Number	kW	Voltage	Watt Density	Width (inches)	Length (inches)	Weight (lbs.)
14903	GF15-1218-480	3.24	480	15	12	18	8
15048	GF20-1218-240	4.32	240	20	12	18	6
15049	GF20-1218-480	4.32	480	20	12	18	6
14918	GF25-1218-240	5.40	240	25	12	18	8
14935	GF25-1218-480	5.40	480	25	12	18	8
15050	GF10-1224-240	2.88	240	10	12	24	12
15051	GF10-1224-480	2.88	480	10	12	24	12
14887	GF15-1224-240	4.32	240	15	12	24	12
14904	GF15-1224-480	4.32	480	15	12	24	12
15052	GF20-1224-240	5.76	240	20	12	24	12
15053	GF20-1224-480	5.76	480	20	12	24	12
14919	GF25-1224-240	7.20	240	25	12	24	12
14936	GF25-1224-480	7.20	480	25	12	24	12
15054	GF10-1230-240	3.60	240	10	12	30	16
15055	GF10-1230-480	3.60	480	10	12	30	16
14888	GF15-1230-240	5.40	240	15	12	30	16
14905	GF15-1230-480	5.40	480	15	12	30	16
15056	GF20-1230-240	7.20	240	20	12	30	16
15057	GF20-1230-480	7.20	480	20	12	30	16
14920	GF25-1230-240	9.00	240	25	12	30	16
14937	GF25-1230-480	9.00	480	25	12	30	16
15058	GF10-1236-240	4.32	240	10	12	36	20
15059	GF10-1236-480	4.32	480	10	12	36	20
14889	GF15-1236-240	6.48	240	15	12	36	20
14906	GF15-1236-480	6.48	480	15	12	36	20
15060	GF20-1236-240	8.64	240	20	12	36	20
15061	GF20-1236-480	8.64	480	20	12	36	20
14921	GF25-1236-240	10.80	240	25	12	36	20
14938	GF25-1236-480	10.80	480	25	12	36	20
15062	GF10-1242-240	5.04	240	10	12	42	20
15063	GF10-1242-480	5.04	480	10	12	42	20
15013	GF15-1242-240	7.56	240	15	12	42	20
15020	GF15-1242-480	7.56	480	15	12	42	20
15064	GF20-1242-240	10.08	240	20	12	42	20
15065	GF20-1242-480	10.08	480	20	12	42	20
15018	GF25-1242-240	12.60	240	25	12	42	20
15016	GF25-1242-480	12.60	480	25	12	42	20
15066	GF10-1248-240	5.76	240	10	12	48	24
14890	GF15-1248-240	8.64	240	15	12	48	24
14907	GF15-1248-480	8.64	480	15	12	48	24
15067	GF20-1248-240	11.52	240	20	12	48	24
15068	GF20-1248-480	11.52	480	20	12	48	20
14922	GF25-1248-240	14.40	240	25	12	48	24
14939	GF25-1248-480	14.40	480	25	12	48	24
15069	GF10-1260-240	7.20	240	10	12	60	30
15070	GF10-1260-480	7.20	480	10	12	60	30
14891	GF15-1260-240	10.80	240	15	12	60	30
14908	GF15-1260-480	10.80	480	15	12	60	30
15071	GF20-1260-240	14.40	240	20	12	60	30
15072	GF20-1260-480	14.40	480	20	12	60	30

Radiant Heaters

Type GF Series - PanelHeater

ItemID	Gaumer Catalog Number	kW	Voltage	Watt Density	Width (inches)	Length (inches)	Weight (lbs.)
14923	GF25-1260-240	18.00	240	25	12	60	30
14940	GF25-1260-480	18.00	480	25	12	60	30
15073	GF10-1272-240	8.64	240	10	12	72	36
15074	GF10-1272-480	8.64	480	10	12	72	36
14892	GF15-1272-240	12.96	240	15	12	72	36
14909	GF15-1272-480	12.96	480	15	12	72	36
15075	GF20-1272-240	17.28	240	20	12	72	36
15076	GF20-1272-480	17.28	480	20	12	72	36
14924	GF25-1272-240	21.60	240	25	12	72	36
14941	GF25-1272-480	21.60	480	25	12	72	36
15077	GF10-1616-240	2.56	240	10	16	16	12
15078	GF10-1616-480	2.56	480	10	16	16	12
14893	GF15-1616-240	3.84	240	15	16	16	12
15007	GF05-1616-240	5.12	240	20	16	16	12
15079	GF20-1616-240	5.12	240	20	16	16	12
15080	GF20-1616-480	5.12	480	20	16	16	12
14925	GF25-1616-240	6.40	240	25	16	16	12
15012	GF10-1624-240	3.84	240	10	16	24	18
14894	GF15-1624-240	5.76	240	15	16	24	18
14895	GF15-1624-480	5.76	480	15	16	24	18
14926	GF25-1624-240	9.60	240	25	16	24	18
14927	GF25-1624-480	9.60	480	25	16	24	18
15081	GF10-1818-240	3.24	240	10	18	18	18
15082	GF10-1818-480	3.24	480	10	18	18	18
15083	GF20-1818-240	6.48	240	20	18	18	18
15084	GF20-1818-480	6.48	480	20	18	18	18
15085	GF10-2424-240	5.76	240	10	24	24	30
15086	GF10-2424-480	5.76	480	10	24	24	30
15011	GF05-2424-240	11.52	240	20	24	24	30
15087	GF20-2424-480	11.52	480	20	24	24	30

Screwbase Enclosure Heater

Type GSB

APPLICATIONS

Type GSB screw base heater is suitable for maintaining temperature and eliminating moisture problems inside instrument enclosures, electrical enclosures, fire extinguisher cabinets, and clothes lockers.

STANDARD FEATURES

Designed for installation into a standard Edison socket.

ACCESSORIES

Porcelain socket suitable for surface mounting (CB-1).



ItemID	Catalog Number	Voltage	KW	Diameter	Heated Length	Overall Length	Weight (lbs.)
3220	GSB-50-1	120	0.050	1.125	3.000	4.750	1.000
3221	GSB-75-1	120	0.075	1.125	3.000	4.750	1.000
3222	GSB-75-2	240	0.075	1.125	3.000	4.750	1.000
3223	GSB-100-1	120	0.100	1.125	3.000	4.750	1.000
3224	GSB-100-2	240	0.100	1.125	3.000	4.750	1.000
3225	GSB-150-1	120	0.150	1.125	3.000	4.750	1.000
3226	GSB-150-2	240	0.150	1.125	3.000	4.750	1.000
3227	GSB-200-1	120	0.200	1.125	3.000	4.750	1.000
3228	GSB-200-2	240	0.200	1.125	3.000	4.750	1.000

GAUMER PROCESS

HEATERS
SYSTEMS
CONTROLS

Urn Heaters

Type: UH(UH-CO)

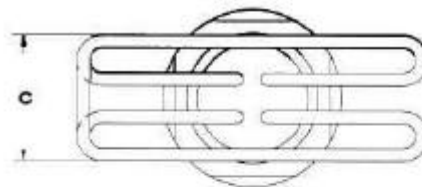
APPLICATIONS

For use in coffee urns, steam tables, sterilizers, or any type of container designed for insertion of the heating element through the base. Watt-densities are maintained at conservative levels for efficient performance and long life.



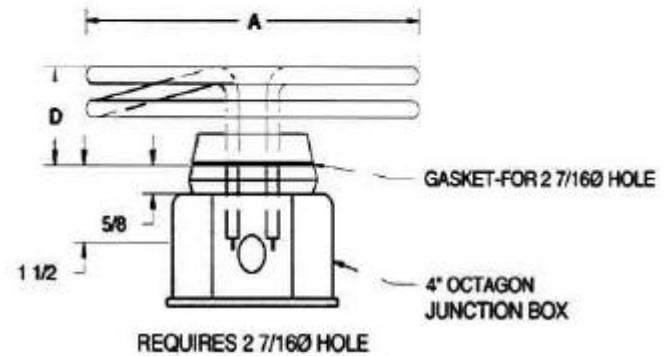
CONSTRUCTION

Type UH (UH-CO) Gaumer Urn Heater is designed to provide easy installation for users desiring studbolt take-up flange construction. Two separate seamless copper elements (single phase) or three separate seamless copper elements (single phase or three phase) are interlocked and brazed to the stud mounting header.



MOUNTING

When mounting the unit, place the header in the 2-7/16" diameter hole from the inside of the urn and tighten the studs from the outside. A gasket is provided for a water-tight seal. Mounting and installation instructions are furnished with each unit.



OPTIONS

-CO is an optional thermal cutout

Gaumer Catalog No.	kW	Volts	Phase	Qty. Rods	Length "A"	Width "C"	Depth "D"	Rod Diameter	Net Weight:
UH-1011	1	120	1	2	7	3-1/8	1-1/4	.312	3
UH-1021	1	208	1	2	7	3-1/8	1-1/4	.312	3
UH-1041	1	240	1	2	7	3-1/8	1-1/4	.312	3
UH-1511	1.5	120	1	2	7	3-1/8	1-1/4	.312	3
UH-1521	1.5	208	1	2	7	3-1/8	1-1/4	.312	3
UH-1541	1.5	240	1	2	7	3-1/8	1-1/4	.312	3
UH-2011	2	120	1	2	7	3-1/8	1-1/4	.312	3
UH-2021	2	208	1	2	7	3-1/8	1-1/4	.312	3
UH-2041	2	240	1	2	7	3-1/8	1-1/4	.312	3
UH-2511	2.5	120	1	2	7	3-1/8	1-1/4	.312	4

Urn Heaters

Type: UH(UH-CO)

Gaumer Catalog No.	kW	Volts	Phase	Qty. Rods	Length "A"	Width "C"	Depth "D"	Rod Diameter	Net Weight:
UH-2521	2.5	208	1	2	7	3-1/8	1-1/4	.312	4
UH-2541	2.5	240	1	2	7	3-1/8	1-1/4	.312	4
UH-3011	3	120	1	2	9	3-1/8	1-1/4	.312	4
UH-3021	3	208	1	2	9	3-1/8	1-1/4	.312	4
UH-3021-CO	3	240	1	2	9	3-1/8	1-1/4	.312	4
UH-3041	3	240	1	2	9	3-1/8	1-1/4	.312	4
UH-3041-CO	3	480	1	2	9	3-1/8	1-1/4	.312	4
UH-4021	4	120	1	2	11	3-1/8	1-1/4	.312	5
UH-4041-CO	4	240	1	2	11	3-1/8	1-1/4	.312	5
UH-4041	4	240	1	2	11	3-1/8	1-1/4	.312	5
UH-5021	5	208	1	2	9	4-1/8	1-1/2	.425	5
UH-5041	5	240	1	2	9	4-1/8	1-1/2	.425	5
UH-5041-CO	5	240	1	2	9	4-1/8	1-1/2	.425	5
UH-5023	5	208	3	3	9	3-1/8	1-1/2	.312	5
UH-5043	5	240	3	3	9	3-1/8	1-1/2	.312	5
UH-6021	6	208	1	2	13	4-1/8	1-1/2	.425	6
UH-6041	6	240	1	2	13	4-1/8	1-1/2	.425	6
UH-7021	7	208	1	2	13	4-1/8	1-1/2	.425	6
UH-7041	7	240	1	2	13	4-1/8	1-1/2	.425	6
UH-7023	7	208	3	3	9	4-1/8	2-1/8	.425	6
UH-7043	7	240	3	3	9	4-1/8	2-1/8	.425	6
UH-7053	7	480	3	3	9	4-1/8	2-1/8	.425	6
UH-8043-CO	8	240	3	3	9	4-1/8	2-1/8	.425	7
UH-10023	10	208	1	3	13	4-1/8	2-1/8	.425	7
UH-10043	10	240	3	3	13	4-1/8	2-1/8	.425	7
UH-10053	10	480	1	3	13	4-1/8	2-1/8	.425	7

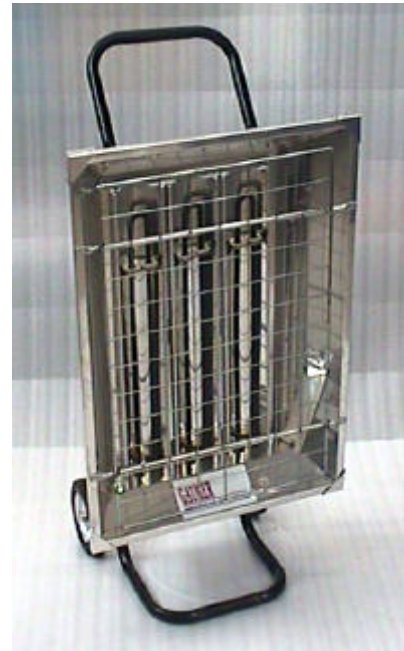
Comfort Radiant Heater Type PRH

APPLICATIONS

Designed generally for spot heating, the PRH assemblies may be mounted for overall comfort heating of a building. Radiant heating is especially beneficial in those areas which are not suitable to standard convection heating such as loading docks, construction sites, garages, farm buildings, receiving areas, and other locations where outside exposure is commonplace.

STANDARD FEATURES

These units include a steel frame holding aluminum extrusions with polished metal reflectors. The elements are terminated in a gasketed enclosure and are replaceable.



INSTALLATION

A minimum spacing from the front of the heater case to combustible material must be seven (7) feet. Do not operate this type heater where flammable vapors or gasses are present.

CatNbr	KW	VoltsNo	Phase	Height	Width	Depth	Weight
PRH-2-11	1.7	120	1	32	13	14	18
PRH-2-21	2.0	240	1	32	13	14	18
PRH-2-41	2.0	480	1	32	13	14	18
PRH-4.5-21	4.5	240	1	40	15	16	30
PRH-4.5-41	4.5	480	1	40	15	16	30
PRH-6-23	6.0	240	3	40	20	16	34
PRH-6-21	6.0	240	1	40	20	16	34
PRH-6-43	6.0	480	3	40	20	16	34
PRH-6-41	6.0	480	1	40	20	16	34
PRH-13.5-23	13.5	240	3	59	32	18	52
PRH-13.5-43	13.5	480	3	59	32	18	52

Explosion Proof Wall Heater

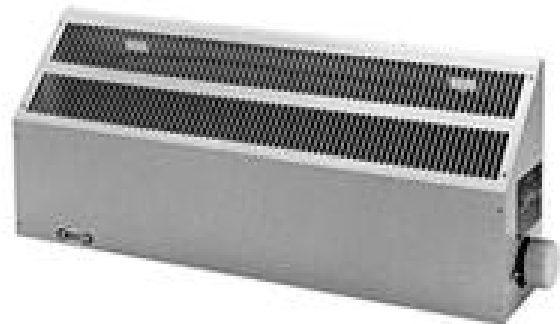
Type: GTEP

APPLICATIONS

Gaumer Type GTEP Explosion Proof Wall Convection Heaters are suitable for Hazardous Locations and are both FM and CSA approved for Class 1, Divisions 1 and 2, Groups B, C, and D.

STANDARD FEATURES

- Heavy gauge galvanized cabinet finished in epoxy enamel and featuring preferred sloping top design.
- Control Enclosure - Approved Enclosure houses heater terminals, Automatic Reset Cutout, and optional controls.
- Wall Mounting Brackets - Shipped with heater for mounting heater at least 8 inches above floor.
- Built-In Overtemperature Protection - Provides level of safety greater than that required by UL. Rated for 22 amps at 277 volts, single phase. For convectors above these ratings a magnetic contactor and/or a control transformer are required.



SPECIAL FEATURES AND OPTIONS

- Adjustable Thermostat - Factory installed and prewired to the control enclosure. Has 50° to 90°F (10 to 30°C) range.
- Floor Mounting Brackets - Can be used in conjunction with wall brackets included with heater.
- Magnetic Contactor - Factory mounted within Heater Electrical Enclosure
- Control Transformer - Factory mounted within Heater Electrical Enclosure.

Explosionproof Wall Heater

Type: GTEP

Gaumer Catalog Number	kW	Volts	Ph	Total Amps	Width (in.)	Height (in.)	Depth (in.)	Ship Wt (lbs.)	NEC Ignition Class,(°F),(°C)
GTEP-1.8-1201-T3	1.80	120	1	15	39	23	8	75	T3, (392°F), (200°C)
GTEP-1.8-2081-T3	1.80	208	1	9	39	23	8	75	T3, (392°F), (200°C)
GTEP-1.8-2401-T3	1.80	240	1	8	39	23	8	75	T3, (392°F), (200°C)
GTEP-1.8-2083-T3	1.80	208	3	5	39	23	8	75	T3, (392°F), (200°C)
GTEP-1.8-2403-T3	1.80	240	3	5	39	23	8	75	T3, (392°F), (200°C)
GTEP-1.8-4803-T3	1.80	480	3	3	39	23	8	75	T3, (392°F), (200°C)
GTEP-2.25-2401-T2C	2.25	240	1	10	39	23	8	75	T2C, (446°F), (230°C)
GTEP-2.25-4801-T2C	2.25	480	1	5	39	23	8	75	T2C, (446°F), (230°C)
GTEP-2.25-2403-T2C	2.25	240	3	6	39	23	8	75	T2C, (446°F), (230°C)
GTEP-2.25-4803-T2C	2.25	480	3	3	39	23	8	75	T2C, (446°F), (230°C)
GTEP-3.0-2081-T2B	3.00	208	1	15	39	23	8	75	T2B, (500°F), (260°C)
GTEP-3.0-2401-T2B	3.00	240	1	13	39	23	8	75	T2B, (500°F), (260°C)
GTEP-3.0-4801-T2B	3.00	480	1	7	39	23	8	75	T2B, (500°F), (260°C)
GTEP-3.0-2403-T2B	3.00	240	3	8	39	23	8	75	T2B, (500°F), (260°C)
GTEP-3.0-4803-T2B	3.00	480	3	4	39	23	8	75	T2B, (500°F), (260°C)
GTEP-3.6-2081-T2A	3.60	208	1	18	39	23	8	75	T2A, (536°F), (280°C)
GTEP-3.6-2401-T2A	3.60	240	1	15	39	23	8	75	T2A, (536°F), (280°C)
GTEP-3.6-4801-T2A	3.60	480	1	8	39	23	8	75	T2A, (536°F), (280°C)
GTEP-3.6-2083-T2A	3.60	208	3	10	39	23	8	75	T2A, (536°F), (280°C)
GTEP-3.6-2403-T2A	3.60	240	3	9	39	23	8	75	T2A, (536°F), (280°C)
GTEP-3.6-4803-T2A	3.60	480	3	5	39	23	8	75	T2A, (536°F), (280°C)
GTEP-3.6-2081-T3	3.60	208	1	18	68	23	8	117	T3, (392°F), (200°C)
GTEP-3.6-2401-T3	3.60	240	1	15	68	23	8	117	T3, (392°F), (200°C)
GTEP-3.6-4801-T3	3.60	480	1	8	68	23	8	117	T3, (392°F), (200°C)
GTEP-3.6-2083-T3	3.60	208	3	10	68	23	8	117	T3, (392°F), (200°C)
GTEP-3.6-2403-T3	3.60	240	3	9	68	23	8	117	T3, (392°F), (200°C)
GTEP-3.6-4803-T3	3.60	480	3	5	68	23	8	117	T3, (392°F), (200°C)
GTEP-4.5-2401-T2C	4.50	240	1	19	68	23	8	117	T2C, (446°F), (230°C)
GTEP-4.5-4801-T2C	4.50	480	1	9.4	68	23	8	117	T2C, (446°F), (230°C)
GTEP-4.5-2403-T2C	4.50	240	3	11	68	23	8	117	T2C, (446°F), (230°C)
GTEP-4.5-4803-T2C	4.50	480	3	6	68	23	8	117	T2C, (446°F), (230°C)
GTEP-6.0-2081-T2B	6.00	208	1	29	68	23	8	117	T2B, (500°F), (260°C)
GTEP-6.0-2401-T2B	6.00	240	1	25	68	23	8	117	T2B, (500°F), (260°C)
GTEP-6.0-4801-T2B	6.00	480	1	13	68	23	8	117	T2B, (500°F), (260°C)
GTEP-6.0-2083-T2B	6.00	208	3	17	68	23	8	117	T2B, (500°F), (260°C)
GTEP-6.0-2403-T2B	6.00	240	3	15	68	23	8	117	T2B, (500°F), (260°C)
GTEP-6.0-4803-T2B	6.00	480	3	8	68	23	8	117	T2B, (500°F), (260°C)
GTEP-7.5-2081-T2	7.50	208	1	36	68	23	8	117	T2, (572°F), (300°C)
GTEP-7.5-2401-T2	7.50	240	1	31	68	23	8	117	T2, (572°F), (300°C)
GTEP-7.5-4801-T2	7.50	480	1	16	68	23	8	117	T2, (572°F), (300°C)
GTEP-7.5-2083-T2	7.50	208	3	21	68	23	8	117	T2, (572°F), (300°C)
GTEP-7.5-2403-T2	7.50	240	3	18	68	23	8	117	T2, (572°F), (300°C)
GTEP-7.5-4803-T2	7.50	480	3	9	68	23	8	117	T2,(572°F),(300°C)

Explosionproof Wall Heater

Type: GTEP

Group: A			
Material:	Temp F	Temp C	NEC Code
Acetylene	581	305	T2
Group: B			
Material:	Temp F	Temp C	NEC Code
Acrolein, Inhibited	428	220	T2D
Butadiene	788	420	T2
Ethylene Oxide	804	429	T2
Hydrogen	932	500	T1
Propylene Oxide	840	449	T2
Propyl Nitrate	347	175	T3B
Group: C			
Material:	Temp F	Temp C	NEC Code
Acetaldehyde	347	175	T3B
Allyl Alcohol	713	378	T2
Carbon Monoxide	1128	609	T1
Cyclopropane	928	498	T1
Ethylene	842	450	T1
Hydrogen Cyanide	1000	538	T1
Hydrogen Sulfide	500	260	T2B
2-Nitropropane	802	428	T2
Tetrahydrofuran	610	321	T2
Group: D			
Material:	Temp F	Temp C	NEC Code
Acetic Acid, Glacia	867	463	T1
Acetone	869	465	T1
Ammonia, Anhydrous	1204	651	T1
Benzene	928	498	T1
Butane	550	287	T2A
Butanol, Butyl Alcohol	650	343	T2
Butanol, Secondary Butyl Alcohol	761	405	T2
Ethane	882	472	T1
Ethanol, Ethyl Alcohol	685	363	T2
Ethyl Acetate	800	427	T2
Ethylene Dichloride	775	413	T2
Gasoline, 56-60 Octane	536	280	T2A
Gasoline, 100 Octane	853	456	T1
Heptanes	399	204	T3
Hexanes	437	235	T2D
Isoprene	428	220	T2D
Isopropyl Ether	830	443	T2
Methane, Natural Gas, Low End	900	482	T1
Methane, Natural Gas, High End	1170	632	T1
Methanol, Methyl Alcohol	867	464	T1
3-Methyl 1-Butanol, Isoamyl Alcohol	662	350	T2
Methyl Ethyl Ketone	759	404	T2

Group: D			
Material:	Temp F	Temp C	NEC Code
Methyl Isobutyl Ketone	840	448	T2
2-Methyl 1-Propanol, Isobutyl Alcohol	780	415	T2
Petroleum Naptha	550	288	T2A
Pyridine	900	482	T1
Octanes	403	206	T3
Pentanes	500	260	T2B
1-Pentanol, Amyl Alcohol	650	343	T2
Propane	842	450	T1
1-Propanol, Propyl Alcohol	775	412	T2
2-Propanol, Isopropyl Alcohol	750	399	T2
Propylene	851	455	T1
Styrene	914	490	T1
Toluene	896	480	T1
Vinyl Acetate	756	402	T2
Vinyl Chloride	882	472	T1
Xylenes, Low	867	463	T1
Xylenes, High	984	528	T1
Group: E			
Material:	Temp F	Temp C	NEC Code
Aluminum, A422 Flake	608	320	T2
Calcium Silicide	1004	540	T1
Manganese	464	240	T2C
Magnesium, Grade B, Milled	806	430	T2
Group: F			
Material:	Temp F	Temp C	NEC Code
Charcoal	356	180	T3A
Coal, Kentucky Bituminous	356	180	T3A
Coal, Pittsburgh Experimental	338	170	T3B
Pitch, Petroleum	1166	630	T1
Group: G			
Material:	Temp F	Temp C	NEC Code
Alkyl Ketone Dimer Sizing Compound	320	160	T3C
Corn	482	250	T2C
Corn Starch, Modified	392	200	T3
Polyurethane Foam, Fire Retardant	734	390	T2
Shellac	752	400	T2
Soy Flour	374	190	T3A
Sugar, Powdered	698	370	T2
Sulfur	428	220	T2D
Wheat	428	220	T2D
Wood Flour	500	280	T2B

11/19/2001

Page 3 of 3

Explosion Proof Unit Heater

Type: T3C(Ultra-Safe)

APPLICATIONS

Gaumer Type T3C Explosion Proof Unit Heaters are suitable for Hazardous Location Classes I and II, Groups C, D, F, and G. Ignition Temperature Code Rating is T3C, (320°F), (160°C).

STANDARD FEATURES

- Industry's Lowest Ignition Temperature Code Rating
- Redundant Overtemperature Protection with dual automatic reset thermal cutouts for additional safety.
- Sealed Heat Exchanger with Nontoxic Propylene Glycol Heat Transfer Fluid and Low Pressure 70 PSIG Relief Valve.
- Epoxy Coated Corrosion Resistant Cabinet with Adjustable Louvers.
- Cast Aluminum electrical enclosure with built-in 24 volt control circuit.



SPECIAL FEATURES AND OPTIONS

- Group E (Metal Dust) Construction - Locations classified as hazardous due to the presence of metal dust.
- Arctic Duty Motor - Available for ambient temperatures as low as -40°F(-40°C).
- Dirty Duty Corrosion Resistant Construction - Includes irridite coated heat exchanger. Epoxy-coated items include: fan blade, motor, conduit, and electrical enclosure.
- Motor Requirements Other than what is Considered Standard - i.e. 50 Hz.
- Adjustable Thermostat - Factory installed and prewired to the control enclosure. Has 50° to 90°F (10 to 30°C) range.
- 120 Volt Control Circuit - Can be supplied if required to match field thermostat control.
- Disconnect Switch - Factory installed adjacent to electrical enclosure. Meets NEC requirements for disconnecting means within sight of the heater.
- AUTO/FAN Selector Switch - This can be added to control package if "Fan Only" capabilities are desired.
- Manual Reset Thermal Cutout with Safety Magnetic Contactor - Provides independent safety system with backup circuit shutdown protection .
- "Heater On" Pilot Light - Indicates when the electric heating elements are energized.
- "Warning" Pilot Light - Indicates when the thermal cutouts have tripped which indicates that the unit needs servicing.

Explosionproof Unit Heaters

Type: T3C(Ultra-Safe)

Gaumer Catalog No.	kW	Volts	Ph	Total Amps	Air Vol (CFM)	Temp Rise	AirThro w (ft.)	Depth (in.)	Width (in.)	Height (in.)	Ship Wt
T3C-3.0-2081	3	208	1	20	700	14°(8°)	15	22	21	25	190
T3C-3.0-2401	3	240	1	17.4	700	14°(8°)	15	22	21	25	190
T3C-3.0-2083	3	208	3	11.1	700	14°(8°)	15	22	21	25	190
T3C-3.0-2403	3	240	3	9.7	700	14°(8°)	15	22	21	25	190
T3C-3.0-4803	3	480	3	4.8	700	14°(8°)	15	22	21	25	190
T3C-3.0-6003	3	600	3	3.9	700	14°(8°)	15	22	21	25	190
T3C-5.0-2081	5	208	1	29.9	700	23°(10°)	15	22	21	25	190
T3C-5.0-2401	5	240	1	25.9	700	23°(10°)	15	22	21	25	190
T3C-5.0-2083	5	208	3	16.8	700	23°(10°)	15	22	21	25	190
T3C-5.0-2403	5	240	3	14.6	700	23°(10°)	15	22	21	25	190
T3C-5.0-4803	5	480	3	7.3	700	23°(10°)	15	22	21	25	190
T3C-5.0-6003	5	600	3	5.9	700	23°(10°)	15	22	21	25	190
T3C-7.5-2081	7.5	208	1	42.3	800	30°(17°)	20	22	21	25	190
T3C-7.5-2401	7.5	240	1	36.7	800	30°(17°)	20	22	21	25	190
T3C-7.5-2083	7.5	208	3	24	800	30°(17°)	20	22	21	25	190
T3C-7.5-2403	7.5	240	3	20.8	800	30°(17°)	20	22	21	25	190
T3C-7.5-4803	7.5	480	3	10.4	800	30°(17°)	20	22	21	25	190
T3C-7.5-6003	7.5	600	3	8.3	800	30°(17°)	20	22	21	25	190
T3C-10-2401	10	240	1	47.4	800	40°(22°)	20	22	21	25	190
T3C-10-2083	10	208	3	31.1	800	40°(22°)	20	22	21	25	190
T3C-10-2403	10	240	3	27	800	40°(22°)	20	22	21	25	190
T3C-10-4803	10	480	3	13.5	800	40°(22°)	20	22	21	25	190
T3C-10-6003	10	600	3	10.8	800	40°(22°)	20	22	21	25	190
T3C-15-2083	15	208	3	44.7	1230	40°(22°)	33	23	25	29	225
T3C-15-2403	15	240	3	38.8	1230	40°(22°)	33	23	25	29	225
T3C-15-4803	15	480	3	19.4	1230	40°(22°)	33	23	25	29	225
T3C-15-6003	15	600	3	15.5	1230	40°(22°)	33	23	25	29	225
T3C-20-4803	20	480	3	25.9	1825	35°(19°)	49	23	25		225
T3C-20-6003	20	600	3	20.7	1825	35°(19°)	49	23	25	29	225
T3C-25-4803	25	480	3	32.6	2735	30°(17°)	73	23	29	36	225
T3C-25-6003	25	600	3	26.1	2735	30°(17°)	73	23	29	36	225
T3C-30-4803	30	480	3	38.8	2735	35°(19°)	73	23	29	36	225
T3C-30-6003	30	600	3	31	2735	35°(19°)	73	23	29	36	225

Explosionproof Unit Heaters

Type: T3C(Ultra-Safe)

Group: A

Material:	Temp F	Temp C	NEC Code
Acetylene	581	305	T2

Group: B

Material:	Temp F	Temp C	NEC Code
Acrolein, Inhibited	428	220	T2D
Butadiene	788	420	T2
Ethylene Oxide	804	429	T2
Hydrogen	932	500	T1
Propylene Oxide	840	449	T2
Propyl Nitrate	347	175	T3B

Group: C

Material:	Temp F	Temp C	NEC Code
Acetaldehyde	347	175	T3B
Allyl Alcohol	713	378	T2
Carbon Monoxide	1128	609	T1
Cyclopropane	928	498	T1
Ethylene	842	450	T1
Hydrogen Cyanide	1000	538	T1
Hydrogen Sulfide	500	260	T2B
2-Nitropropane	802	428	T2
Tetrahydrofuran	610	321	T2

Group: D

Material:	Temp F	Temp C	NEC Code
Acetic Acid, Glacia	867	463	T1
Acetone	869	465	T1
Ammonia, Anhydrous	1204	651	T1
Benzene	928	498	T1
Butane	550	287	T2A
Butanol, Butyl Alcohol	650	343	T2
Butanol, Secondary Butyl Alcohol	761	405	T2
Ethane	882	472	T1
Ethanol, Ethyl Alcohol	685	363	T2
Ethyl Acetate	800	427	T2
Ethylene Dichloride	775	413	T2
Gasoline, 56-60 Octane	536	280	T2A
Gasoline, 100 Octane	853	456	T1
Heptanes	399	204	T3
Hexanes	437	235	T2D
Isoprene	428	220	T2D
Isopropyl Ether	830	443	T2
Methane, Natural Gas, Low End	900	482	T1
Methane, Natural Gas, High End	1170	632	T1
Methanol, Methyl Alcohol	867	464	T1
3-Methyl 1-Butanol, Isoamyl Alcohol	662	350	T2
Methyl Ethyl Ketone	759	404	T2

Group: D

Material:	Temp F	Temp C	NEC Code
Methyl Isobutyl Ketone	840	448	T2
2-Methyl 1-Propanol, Isobutyl Alcohol	780	415	T2
Petroleum Naptha	550	288	T2A
Pyridine	900	482	T1
Octanes	403	206	T3
Pentanes	500	260	T2B
1-Pentanol, Amyl Alcohol	650	343	T2
Propane	842	450	T1
1-Propanol, Propyl Alcohol	775	412	T2
2-Propanol, Isopropyl Alcohol	750	399	T2
Propylene	851	455	T1
Styrene	914	490	T1
Toluene	896	480	T1
Vinyl Acetate	756	402	T2
Vinyl Chloride	882	472	T1
Xylenes, Low	867	463	T1
Xylenes, High	984	528	T1

Group: E

Material:	Temp F	Temp C	NEC Code
Aluminum, A422 Flake	608	320	T2
Calcium Silicide	1004	540	T1
Manganese	464	240	T2C
Magnesium, Grade B, Milled	806	430	T2

Group: F

Material:	Temp F	Temp C	NEC Code
Charcoal	356	180	T3A
Coal, Kentucky Bituminous	356	180	T3A
Coal, Pittsburgh Experimental	338	170	T3B
Pitch, Petroleum	1166	630	T1

Group: G

Material:	Temp F	Temp C	NEC Code
Alkyl Ketone Dimer Sizing Compound	320	160	T3C
Corn	482	250	T2C
Corn Starch, Modified	392	200	T3
Polyurethane Foam, Fire Retardant	734	390	T2
Shellac	752	400	T2
Soy Flour	374	190	T3A
Sugar, Powdered	698	370	T2
Sulfur	428	220	T2D
Wheat	428	220	T2D
Wood Flour	500	280	T2B

Electric Blower Unit Heater

Type GUH

APPLICATIONS

Industrial quality horizontal blower heater is designed to heat factories, warehouses, garages and other areas requiring forced air heating with no associated duct work.

STANDARD FEATURES

Metal sheathed finned tubular heating elements encased in an 16 gauge steel cabinet with a powder coated finish. Unit includes heavy gauge return air grille and adjustable louvered supply grille.



OPTIONAL FEATURES

Universal Wall and Ceiling Mounting Brackets provide flexible mounting arrangements.

Electric Blower Unit Heater

Type GUH

ItemID	Catalog Number	kW	BTU/Hr. (000)	Heater Volts	Control Volts	Phase	Amps	Temp Rise F	CFM	Optional T Stat	Weight (lbs.)
2835	GUH-03-8	3	10.2	208	208	1	15	27	350	MT1	14
2836	GUH-03-2	3	10.2	240	240	1	13	27	350	MT1	14
2837	GUH-03-4	3	10.2	480	24	3	4	27	350	MT1	14
2838	GUH-05-8	5	17.0	208	208	1-3	21	45	350	MT2	43
2839	GUH-05-2	5	17.0	240	240	1	24	45	350	MT2	43
2840	GUH-05-4	5	17.0	480	24	3	6	45	350	MT1	43
2841	GUH-07-8	5	25.6	208	208	1-3	36	37	650	MT1	43
2842	GUH-07-2	5	25.6	240	240	1-3	31	37	650	MT1	43
2843	GUH-07-4	5	25.6	480	24	3	9	37	650	MT1	43
2844	GUH-10-8	10	34.1	208	208	1-3	48	49	650	MT1	50

Electric Blower Unit Heater

Type GUH

ItemID	Catalog Number	kW	BTU/Hr. (000)	Heater Volts	Control Volts	Phase	Amps	Temp Rise F	CFM	Optional T Stat	Weight (lbs.)
2845	GUH-10-2	10	34.1	240	240	1-3	42	49	650	MT1	50
2846	GUH-10-4	10	34.1	480	24	3	12	49	650	MT1	50
2847	GUH-15-8	15	51.2	208	208	1-3	72	52	910	MT2	54
2848	GUH-15-2	15	51.2	240	240	3	36	52	910	MT1	54
2849	GUH-15-4	15	51.2	480	24	3	18	52	910	MT1	54
2850	GUH-20-8	20	68.2	208	208	3	56	48	1320	MT2	60
2851	GUH-20-2	20	68.2	240	240	3	48	48	1320	MT1	60
2852	GUH-20-4	20	68.2	480	24	3	24	48	1320	MT1	60
2853	GUH-25-2	25	85.2	240	240	3	60	38/44	2100/1800	MT1	185
2854	GUH-25-4	25	85.2	480	24	3	30	38/44	2100/1800	MT1	185
2855	GUH-30-8	30	102.3	208	208	3	84	45/53	2100/1800	MT2	185
2856	GUH-30-2	30	102.3	240	240	3	72	45/53	2100/1800	MT2	185
2857	GUH-30-4	30	102.3	480	24	3	36	45/53	2100/1800	MT1	185
2858	GUH-40-2	40	136.4	240	240	3	96	42/49	3000/2600	MT2	210
2859	GUH-40-4	40	136.4	480	24	3	48	42/49	3000/2600	MT2	210
2860	GUH-50-8	50	170.5	208	208	3	139	53/61	3000/2600	MT2	210
2861	GUH-50-2	50	170.5	240	240	3	120	53/61	3000/2600	MT2	210
2862	GUH-50-4	50	170.5	480	24	3	60	53/61	3000/2600	MT2	210

Washdown Unit Heater

Type: WDUH

APPLICATIONS

Gaumer Type WDUH Unit Heaters are suitable for those non-hazardous locations where moisture is present and/or corrosion of most standard materials exists.

STANDARD FEATURES

- Type 304 Stainless Steel Finned Tubular Heating Elements with Stainless Steel Fittings.
- Totally Enclosed Motor Designed to Resist Moisture and Corrosion.
- Stainless Steel Housing including shrouds and grilles.
- Adjustable Inlet/Outlet Louvers.
- Non-Metallic Electrical Enclosure Meets NEMA 4X HoseDown Requirements.
- Standard Built-in Controls Include: overtemperature cutout, fan delay relay, control magnetic contactor, safety magnetic contactor (when required), control transformer for 24 V control circuit, terminal block for field wiring, and separate motor contactor for 12 KW and larger units.
- Mounting Bracket with Stainless Steel Swivel Hardware can be used for either wall or ceiling mounting.



SPECIAL FEATURES AND OPTIONS

- Adjustable Thermostat - Factory installed and prewired to the control enclosure. Has 50° to 90°F (10 to 30°C) range.
- Built-in Selector Switch - Three-position switch wired to control circuit. For heater on, heater standby, and fan only control.
- Secondary Manual Reset Thermal Cutout within Enclosure - Provides independent safety system with backup circuit shutdown protection. It is required for U.S. Coast Guard and ABS Approved Designs.
- Disconnect Switch - Factory installed adjacent to electrical enclosure. Meets NEC requirements for disconnecting means within sight of the heater.
- "Heater On" Pilot Light - Indicates when the electric heating elements are energized.
- "Warning" Pilot Light - Indicates when the thermal cutouts have tripped which indicates that the unit needs servicing.

Washdown Unit Heaters

Type: WDUH Unit Heater

Gaumer Catalog No.	kW	Volts	Ph	Total Amps	Depth (in.)	Width (in.)	Height (in.)	Weight (lbs.)
WDUH-3.0-2081	3	208	1	18	16	22	13	70
WDUH-3.0-4801	3	480	1	7	16	22	13	70
WDUH-5.0-2403	5	240	3	15	16	22	13	70
WDUH-5.0-4803	5	480	3	10	16	22	13	70
WDUH-7.5-2083	7.5	208	3	24	16	22	13	70
WDUH-7.5-4803	7.5	480	3	13	16	22	13	70
WDUH-10-4803	10	480	3	16	16	22	13	70
WDUH-15-4803	15	480	3	21	26	28	20	140
WDUH-20-4803	20	480	3	27	26	28	20	140
WDUH-25-4803	25	480	3	33	26	28	20	140
WDUH-30-4803	30	480	3	39	26	28	20	140

Hot Oil Systems - GHOS 650 Series

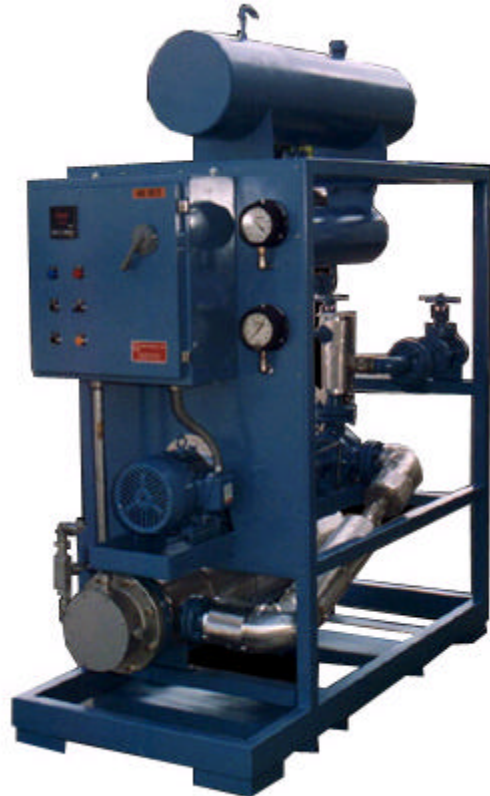
Recirculating Temperatures to 650°F.
Positive Displacement Pump

APPLICATIONS

For heating revolving rolls, platens, molds, dies, jacketed tanks, autoclaves, where close even temperatures are required. Many types of Heat Transfer Fluids are available and most are compatible with this system.

STANDARD FEATURES

- Pre-engineered and proven design package that has been field tested under rugged conditions at temperatures to 650°F.
- Low Watt-density Incoloy 800 sheath heating elements arranged to provide "Even Heat" inside tube bundle.
- Unique "Buffer Tank" factory installed solves oil degradation problems associated with hot oil (over 500°F.) reaching expansion tank.
- Self-venting horizontal design of the heating chamber eliminates both air contamination and the need to manually vent heater chambers.
- Pump may be isolated or removed without draining heating chamber.
- Mechanical seal (standard feature) eliminates constant dripping of conventional "wet seals".
- Positive displacement type pump with bypass designed for heat transfer fluids operating over a wide temperature range.
- Flexible pipe at pump connections absorbs vibration.
- Fully enclosed pump speed-reducer to extend life of pump and improve reliability.
- Industrial quality pressure and suction gauges.
- Expansion tank with rugged inspection ports either mounted on unit or shipped separate for field mounting above process.
- Enclosed with 16 gauge steel panels on three sides, fourth side has piping access.
- Gate valves (inlet and outlet) provide system isolation from process when required.
- Flanged inlet, outlet, and fill connection.
- All welded construction including all piping connections as well as tube bundle assembly.
- Piping insulated with calcium silicate and covered with metal jacket.



Hot Oil Systems - GHOS 650 Series

Recirculating Temperatures to 650°F.
Positive Displacement Pump

MORE STANDARD FEATURES

- Fully gasketed electrical control enclosure with door mounted disconnect handle, temperature indicator, pilot lights, and switches.
- Heating element sheath sensing thermocouple for quickest response to overheat conditions.
- SCR Thyristor Power Control - assures more accurate temperature control than conventional systems and effectively reduces watt-density during normal operations.
- Electronic over-temperature control with separate safety contactor and illuminated reset button.
- Electronic PID Type indicating temperature control.
- Pump motor circuit, separately fused, with overload protection and interlocks.
- Installation, Operation, Parts List Manuals.

CONSTRUCTION OPTIONS

- Weatherproof Construction (NEMA IV)
- Explosion Resistant Construction (NEMA VII)
- Separate control package for remote mounting.
- Multiple systems on one skid.
- Back-up pump piped and wired into system with either manual or automatic change-over

COOLING OPTIONS

- Water cooling packages with manual, semi-automatic, or fully automatic operation change over from heating to cooling.
- Air cooling packages with fully modulated temperature control - provides somewhat slower cooling rate than water but can be accurately controlled and is virtually maintenance free.

CONTROL OPTIONS

- Chart recorder or data logger.
- Clock timer - 7 day with skip-a-day feature.
- Differential type pressure switch.
- Expansion tank level switch.

Type: GHOS

Gaumer Model Number	KW Output	BTU/HR Output	Watt Density	Pump GPM	Pump HP	Piping Conn.	System Volume	Length (inches)	Width (inches)	Height (inches)	Net Weight
GHOS-10	10	34120	15	20	2	1-1/2	7	72	36	72	1200
GHOS-15	15	51180	15	20	2	1-1/2	8	84	36	72	1300
GHOS-20	20	68240	15	20	2	1-1/2	13	72	36	72	1300
GHOS-30	30	102360	15	20	2	1-1/2	16	84	36	72	1400
GHOS-40	40	136480	15	50	5	2	23	76	36	80	1400
GHOS-50	50	170600	15	50	5	2	25	84	36	80	1450
GHOS-60	60	204720	15	50	5	2	27	90	36	80	1500
GHOS-80	80	272690	15	90	7-1/2	2	46	90	48	84	1800
GHOS-100	100	341200	15	90	7-1/2	2	48	96	48	84	1900
GHOS-120	120	409440	15	90	7-1/2	2	50	96	48	84	2000
GHOS-150	150	511800	15	150	10	3	80	102	52	90	2200
GHOS-180	180	614160	15	150	10	3	83	102	52	90	2300
GHOS-200	200	682400	15	150	10	3	84	102	52	90	2400
GHOS-225	225	767700	12	150	10	3	125	132	52	90	2700
GHOS-250	250	853000	12	250	15	4	144	150	52	90	3000
GHOS-300	300	1023600	12	250	15	4	157	102	60	90	3300
GHOS-360	360	1228320	12	250	15	4	160	102	60	90	3500
GHOS-400	400	1364800	12	350	20	4	198	120	60	90	3700
GHOS-450	450	1535400	12	350	20	4	243	132	60	90	3900
GHOS-500	500	1706000	12	350	20	4	282	150	60	90	4200
GHOS-600	600	2047200	12	500	30	6	310	108	72	96	4600

Hot Oil Systems - GHOS 650 Series

Recirculating Temperatures to 650°F.

Positive Displacement Pump

Type: GHOS

Gaumer Model Number	KW Output	BTU/HR Output	Watt Density	Pump GPM	Pump HP	Piping Conn.	System Volume	Length (inches)	Width (inches)	Height (inches)	Net Weight
GHOS-670	670	2286040	12	500	30	6	341	128	72	96	5000
GHOS-720	720	2456640	12	500	30	6	375	140	72	96	5400
GHOS-840	840	2866080	12	500	30	6	413	158	72	96	5800
GHOS-900	900	3070800	12	600	40	6	454	164	84	102	6300
GHOS-1050	1050	3582600	12	600	40	6	500	184	84	102	6800
GHOS-1200	1200	4094400	12	600	40	6	550	204	84	102	7400

Hot Oil Systems - GLOS 650 Series

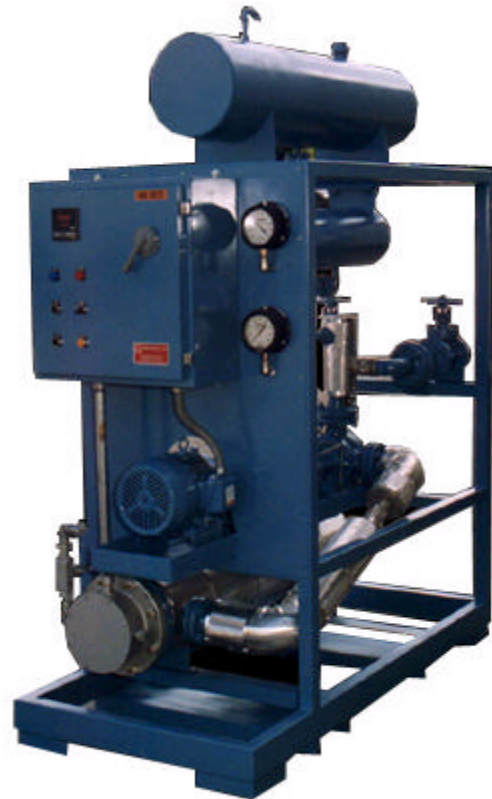
Recirculating Temperatures to 650°F.
Centrifugal Pump

APPLICATIONS

For heating revolving rolls, platens, molds, dies, jacketed tanks, autoclaves, where close even temperatures are required. Many types of Heat Transfer Fluids are available and most are compatible with this system.

STANDARD FEATURES

- Pre-engineered and proven design package that has been field tested under rugged conditions at temperatures to
- Low watt-density Incoloy 800 sheath heating elements arranged to provide "Even Heat" inside tube bundle.
- Unique "Buffer Tank" factory installed solves oil degradation problems associated with hot oil (over 500°F.) reaching expansion tank.
- Self-venting horizontal design of the heating chamber eliminates both air contamination and the need to manually vent heater chambers.
- Flanged isolation valve makes it possible to service pump without draining system.
- Mechanical seal (standard feature) eliminates constant dripping of conventional "wet seals".
- Centrifugal pump designed for heat transfer fluids operating over a wide temperature range.
- Flexible pipe at pump connections absorbs vibration.
- Industrial quality pressure and suction gauges.
- Expansion tank with rugged inspection ports either mounted on unit or shipped separate for field mounting above process.
- Enclosed with 16 gauge steel panels on three sides, fourth side has piping access.
- Gate valves (inlet and outlet) provide system isolation from process when required.
- Flanged inlet, outlet, and fill connection.
- All welded construction including all piping connections as well as tube bundle assembly.
- Piping insulated with calcium silicate and covered with metal jacket.



Hot Oil Systems - GLOS 650 Series

Recirculating Temperatures to 650°F. Centrifugal Pump

MORE STANDARD FEATURES

- Fully gasketed electrical control enclosure with door mounted disconnect handle, temperature indicator, pilot lights, and switches.
- Heating element sheath sensing thermocouple for quickest response to overheat conditions.
- SCR Thyristor Power Control - assures more accurate temperature control than conventional systems and effectively reduces watt-density during normal operations.
- Electronic over-temperature control with separate safety contactor and illuminated reset button.
- Electronic PID Type indicating temperature control.
- Pump motor circuit, separately fused, with overload protection and interlocks.
- Installation, Operation, Parts List Manuals.

CONSTRUCTION OPTIONS

- Weatherproof Construction (NEMA IV)
- Explosion Resistant Construction (NEMA VII)
- Separate control package for remote mounting.
- Multiple systems on one skid.
- Back-up pump piped and wired into system with either manual or automatic change-over

COOLING OPTIONS

- Water cooling packages with manual, semi-automatic, or fully automatic operation change over from heating to cooling.
- Air cooling packages with fully modulated temperature control - provides somewhat slower cooling rate than water but can be accurately controlled and is virtually

CONTROL OPTIONS

- Chart recorder or data logger.
- Clock timer - 7 day with skip-a-day feature.
- Differential type pressure switch.
- Expansion tank level switch.

Type: GLOS

Gaumer Model Number	KW Output	BTU/HR Output	Watt Density	Pump GPM	Pump HP	Piping Conn.	System Volume	Length (inches)	Width (inches)	Height (inches)	Net Weight:
GLOS-10	10	34120	15	20	2	1-1/2	7	72	36	72	1200
GLOS-15	15	51180	15	20	2	1-1/2	8	84	36	72	1300
GLOS-20	20	68240	15	20	2	1-1/2	13	72	36	72	1300
GLOS-30	30	102360	15	20	2	1-1/2	16	84	36	72	1400
GLOS-40	40	136480	15	50	5	2	23	76	36	80	1400
GLOS-50	50	170600	15	50	5	2	25	84	36	80	1450
GLOS-60	60	204720	15	50	5	2	27	90	36	80	1500
GLOS-80	80	272690	15	90	7-1/2	2	46	90	48	84	1800
GLOS-100	100	341200	15	90	7-1/2	2	48	96	48	84	1900
GLOS-120	120	409440	15	90	7-1/2	2	50	96	48	84	2000
GLOS-150	150	511800	15	150	10	3	80	102	52	90	2200
GLOS-180	180	614160	15	150	10	3	83	102	52	90	2300
GLOS-200	200	682400	15	150	10	3	84	102	52	90	2400
GLOS-225	225	767700	12	150	10	3	125	132	52	90	2700
GLOS-250	250	853000	12	250	15	4	144	150	52	90	3000
GLOS-300	300	1023600	12	250	15	4	157	102	60	90	3300
GLOS-360	360	1228320	12	250	15	4	160	102	60	90	3500
GLOS-400	400	1364800	12	350	20	4	198	120	60	90	3700
GLOS-450	450	1535400	12	350	20	4	243	132	60	90	3900
GLOS-500	500	1706000	12	350	20	4	282	150	60	90	4200

SubCompact Hot Oil Systems - 1GHOCS Series

Recirculating Temperatures to 575°F.
Positive Displacement Pump

APPLICATIONS

For heating revolving rolls, platens, molds, dies, jacketed tanks, autoclaves, where close even temperatures are required. Many types of Heat Transfer Fluids are available and most are compatible with this system.

STANDARD FEATURES

- Pre-engineered and proven design package that has been field tested under rugged conditions at temperatures to
 - Low Watt-density Incoloy 800 sheath heating elements arranged to provide "Even Heat" inside tube bundle.
 - Unique "Buffer Tank" factory installed solves oil degradation problems associated with hot oil (over 150°F.) reaching expansion tank.
 - Self-venting horizontal design of the heating chamber eliminates both air contamination and the need to manually vent heater chambers.
 - Positive displacement type pump with bypass designed for heat transfer fluids operating over a wide temperature range.
 - Flexible pipe at pump connections absorbs vibration.
 - Industrial quality pressure gauge.
 - Expansion tank with rugged inspection ports mounted on unit or can be field mounted remote from system.
 - Heating element sheath sensing thermocouple for quickest response to overheat conditions.
- 
- Installation, Operation, Parts List Manuals.
 - Complete Set of Rugged Castors
 - Enclosed with 18 gauge steel panels.
 - All welded construction including all piping connections as well as tube bundle assembly.
 - Piping insulated with calcium silicate and covered with metal jacket.

SubCompact Hot Oil Systems - 1GHOCS Series

Recirculating Temperatures to 575°F.
Positive Displacement Pump

MORE STANDARD FEATURES

- Fully gasketed electrical control enclosure with door mounted disconnect handle, temperature indicator, pilot lights, and switches.
- SCR Thyristor Power Control - assures more accurate temperature control than conventional systems and effectively reduces watt-density during normal operations.
- Electronic over-temperature control with separate safety contactor and illuminated reset button.
- Electronic PID Type indicating temperature control.
- Pump motor circuit, separately fused, with overload protection and interlocks.

COOLING OPTIONS

- Water cooling packages with manual, semi-automatic, or fully automatic operation change over from heating to cooling.
- Air cooling packages with fully modulated temperature control - provides somewhat slower cooling rate than water but can be accurately controlled and is virtually maintenance free.

CONTROL OPTIONS

- Chart recorder or data logger.
- Clock timer - 7 day with skip-a-day feature.
- Differential type pressure switch.
- Expansion tank level switch.
- Back-up pump piped and wired into system with either manual or automatic change-over

Type: 1GHOCS

Gaumer Model Number	Volts 3Phase	KW Output	BTU/HR Output	Watt Density	Pump GPM	Pump HP	Piping Conn.	System Volume	Length (inches)	Width (inches)	Height (inches)	Net Weight
1GHOCS-2-475-10	240	10	34120	15	18	1-1/2	1	6	50	24	64	360
1GHOCS-2-575-10	240	10	34120	15	18	1-1/2	1	6	50	24	64	360
1GHOCS-2-375-10	240	10	34120	15	18	1-1/2	1	6	50	24	64	360
1GHOCS-4-375-10	480	10	34120	15	18	1-1/2	1	6	50	24	64	360
1GHOCS-4-575-10	480	10	34120	15	18	1-1/2	1	6	50	24	64	360
1GHOCS-4-475-10	480	10	34120	15	18	1-1/2	1	6	50	24	64	360
1GHOCS-2-375-15	240	15	51180	15	18	1-1/2	1	7	50	24	64	390
1GHOCS-2-475-15	240	15	51180	15	18	1-1/2	1	7	50	24	64	390
1GHOCS-2-575-15	240	15	51180	15	18	1-1/2	1	7	50	24	64	390
1GHOCS-4-375-15	480	15	51180	15	18	1-1/2	1	7	50	24	64	390
1GHOCS-4-475-15	480	15	51180	15	18	1-1/2	1	7	50	24	64	390
1GHOCS-4-575-15	480	15	51180	15	18	1-1/2	1	7	50	24	64	390
1GHOCS-2-475-20	240	20	68240	15	18	1-1/2	1	8	50	24	64	430
1GHOCS-2-375-20	240	20	68240	15	18	1-1/2	1	8	50	24	64	430
1GHOCS-2-575-20	240	20	68240	15	18	1-1/2	1	8	50	24	64	430
1GHOCS-4-575-20	480	20	68240	15	18	1-1/2	1	8	50	24	64	430
1GHOCS-4-375-20	480	20	68240	15	18	1-1/2	1	8	50	24	64	430
1GHOCS-4-475-20	480	20	68240	15	18	1-1/2	1	8	50	24	64	430

Compact Hot Oil Systems - 2GHOCS Series

Recirculating Temperatures to 600°F.
Positive Displacement Pump

APPLICATIONS

For heating revolving rolls, platens, molds, dies, jacketed tanks, autoclaves, where close even temperatures are required. Many types of Heat Transfer Fluids are available and most are compatible with this system.

STANDARD FEATURES

- Pre-engineered and proven design package that has been field tested under rugged conditions at temperatures to
- Low Watt-density Incoloy 800 sheath heating elements arranged to provide "Even Heat" inside tube bundle.
- Unique "Buffer Tank" factory installed solves oil degradation problems associated with hot oil (over 150°F.) reaching expansion tank.
- Self-venting horizontal design of the heating chamber eliminates both air contamination and the need to manually vent heater chambers.
- Positive displacement type pump with bypass designed for heat transfer fluids operating over a wide temperature range.
- Flexible pipe at pump connections absorbs vibration.
- Industrial quality pressure gauge.
- Expansion tank with rugged inspection ports mounted on unit or can be field mounted remote from system.
- Heating element sheath sensing thermocouple for quickest response to overheat conditions.
- Installation, Operation, Parts List Manuals.
- Complete Set of Rugged Castors
- Enclosed with 16 gauge steel panels.
- All welded construction including all piping connections as well as tube bundle assembly.
- Piping insulated with calcium silicate and covered with metal jacket.



Compact Hot Oil Systems - 2GHOCS Series

Recirculating Temperatures to 600°F.
Positive Displacement Pump

MORE STANDARD FEATURES

- Fully gasketed electrical control enclosure with door mounted disconnect handle, temperature indicator, pilot lights, and switches.
- SCR Thyristor Power Control - assures more accurate temperature control than conventional systems and effectively reduces watt-density during normal operations.
- Electronic over-temperature control with separate safety contactor and illuminated reset button.
- Electronic PID Type indicating temperature control.
- Pump motor circuit, separately fused, with overload protection and interlocks.

COOLING OPTIONS

- Water cooling packages with manual, semi-automatic, or fully automatic operation change over from heating to cooling.
- Air cooling packages with fully modulated temperature control - provides somewhat slower cooling rate than water but can be accurately controlled and is virtually maintenance free.

CONTROL OPTIONS

- Chart recorder or data logger.
- Clock timer - 7 day with skip-a-day feature.
- Differential type pressure switch.
- Expansion tank level switch.
- Back-up pump piped and wired into system with either manual or automatic change-over operation.

Type: 2GHOCS

Gaumer Model Number	Volts 3Phase	KW Output	BTU/HR Output	Watt Density	Pump GPM	Pump HP	Piping Conn.	System Volume	Length (inches)	Width (inches)	Height (inches)	Net Weight
2GHOCS-2-500-20	240	20	68240	15	20	1-1/2	1-1/2	10	60	30	72	525
2GHOCS-2-600-20	240	20	68240	15	20	1-1/2	1-1/2	10	60	30	72	600
2GHOCS-2-400-20	240	20	68240	15	20	1-1/2	1-1/2	10	60	30	72	500
2GHOCS-4-400-20	480	20	68240	15	20	1-1/2	1-1/2	10	60	30	72	500
2GHOCS-4-500-20	480	20	68240	15	20	1-1/2	1-1/2	10	60	30	72	525
2GHOCS-4-600-20	480	20	68240	15	20	1-1/2	1-1/2	10	60	30	72	600
2GHOCS-2-500-30	240	30	102360	15	20	1-1/2	1-1/2	12	60	30	72	550
2GHOCS-2-400-30	240	30	102360	15	20	1-1/2	1-1/2	12	60	30	72	525
2GHOCS-2-600-30	240	30	102360	15	20	1-1/2	1-1/2	12	60	30	72	625
2GHOCS-4-500-30	480	30	102360	15	20	1-1/2	1-1/2	12	60	30	72	550
2GHOCS-4-600-30	480	30	102360	15	20	1-1/2	1-1/2	12	60	30	72	625
2GHOCS-4-400-30	480	30	102360	15	20	1-1/2	1-1/2	12	60	30	72	525
2GHOCS-2-400-40	240	40	136480	15	20	1-1/2	1-1/2	14	60	30	72	550
2GHOCS-2-500-40	240	40	136480	15	20	1-1/2	1-1/2	14	60	30	72	575
2GHOCS-2-600-40	240	40	136480	15	20	1-1/2	1-1/2	14	60	30	72	650
2GHOCS-4-600-40	480	40	136480	15	20	1-1/2	1-1/2	14	60	30	72	650
2GHOCS-4-400-40	480	40	136480	15	20	1-1/2	1-1/2	14	60	30	72	550
2GHOCS-4-500-40	480	40	136480	15	20	1-1/2	1-1/2	14	60	30	72	575

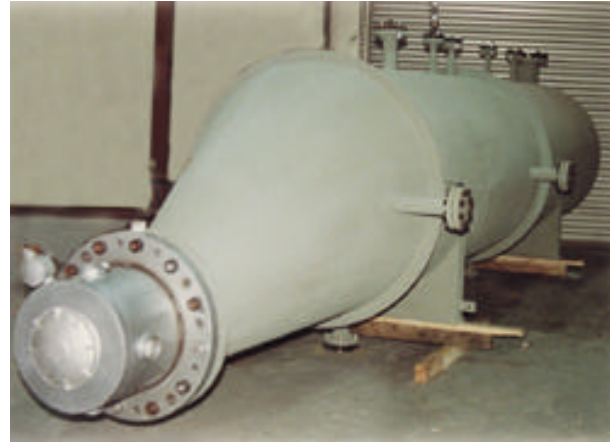
Gaumer Ammonia Vaporizer Type GVAH

APPLICATIONS

For changing state of Ammonia from liquid to gas and for maintaining desired pressure conditions of the gas vapors.

STANDARD FEATURES

- Pre-engineered and proven design package that has been field tested under rugged conditions.
- Low Watt-density Incoloy 800 sheath heating elements arranged to provide "Even Heat" inside tube bundle.
- 300 Lb. Carbon Steel Tank Construction
- ASME Certified to 150psig @ 750° F.
- Industrial quality pressure gauges.
- Gate valves (inlet and outlet) provide system isolation from process when required.
- Flanged inlet and outlet.
- Excess Flow Valves
- All welded construction.
- Complies with ANSI K61.1
- Fully gasketed electrical control enclosure with door mounted disconnect handle, temperature indicator, pilot lights, and switches.
- Heating element sheath sensing thermocouple for quickest response to overheat conditions.
- SCR Thyristor Power Control - assures more accurate temperature control than conventional systems and effectively reduces watt-density during normal operations.
- Electronic over-temperature control with separate safety contactor and illuminated reset button.
- Electronic PID Type indicating temperature control.
- Installation, Operation, Parts List Manuals.



CONSTRUCTION

- Weatherproof Construction (NEMA IV)
- Explosion Resistant Construction (NEMA VII)
- Separate control package for remote mounting.
- Multiple systems on one skid.

CONTROL OPTIONS

- Level Sensors
- Pressure Sensors

Gaumer Ammonia Vaporizer Type GVAH

Type: GVAH

Watt Density 23

Gaumer Model Number	KW Output	Volts	MBH/HR Output	Flanged Heater Catalog No.	Quantity Elements	Quantity Circuits	Chamber Diam.	Length (inches)	Width (inches)	Height (inches)	Volume (gal.)*	Net Weight
GVAH2-15	15	240	51.180	4F6N40M2	6	2	16	40	30	40		720
GVAH4-15	15	480	51.180	4F6N40M4	6	2	16	40	30	40		720
GVAH2-20	20	240	68.240	4F6N52M2	6	2	16	52	30	40		770
GVAH4-20	20	480	68.240	4F6N52M4	6	2	16	52	30	40		770
GVAH2-25	25	240	85.300	4F6N64M2	6	2	16	64	30	40		820
GVAH4-25	25	480	85.300	4F6N64M4	6	2	16	64	30	40		820
GVAH2-30	30	240	102.360	4F6N77M2	6	2	16	77	30	40		900
GVAH4-30	30	480	102.360	4F6N77M4	6	2	16	77	30	40		900
GVAH4-34	34	480	116.008	4F6N88M4	6	2	16	88	30	40		1000
GVAH4-38	38	480	129.656	4F6N106M4	6	2	16	106	30	40		1100
GVAH2-40	40	240	7.000	6F12N52M2	12	4	20	52	36	44		810
GVAH4-40	40	480	8.000	6F12N52M4	12	4	20	52	36	44		810
GVAH4-47	47	480	9.000	4F6N120M4	6	2	16	120	30	40		1200
GVAH2-50	50	240	4.000	6F12N64M2	12	4	20	64	36	44		920
GVAH4-50	50	480	5.000	6F12N64M4	12	4	20	64	36	44		920
GVAH4-53	53	480	6.000	4F6N140M4	6	2	16	140	30	40		1350
GVAH2-60	60	240	1.000	8F18N52M2	18	6	24	52	40	54		1100
GVAH2-60	60	240	2.000	6F12N77M2	12	4	20	77	36	44		1020
GVAH4-60	60	480	3.000	6F12N77M4	12	4	20	77	36	44		1020
GVAH4-60	60	480	1.000	8F18N52M4	18	6	24	52	40	54		1100
GVAH4-61	61	480	2.000	4F6N160M4	6	2	16	160	30	40		1500
GVAH2-63	63	240	3.000	6F15N64M2	15	5	20	64	36	44		929
GVAH4-63	63	480	4.000	6F15N64M4	15	5	20	64	36	44		920
GVAH4-67	67	480	5.000	6F12N88M4	12	4	20	88	36	44		1100
GVAH2-72	72	240	6.000	8F24N48M2	24	8	24	48	40	54		1000
GVAH4-72	72	480	245.664	8F24N48M4	24	8	24	48	40	54		1000
GVAH2-75	75	240	255.900	6F15N77M2	15	5	20	77	36	44		1020
GVAH4-75	75	480	255.900	6F15N77M4	15	5	20	77	36	44		1020
GVAH4-76	76	480	259.312	6F12N106M4	12	4	20	106	36	44		1280
GVAH2-80	80	240	272.960	8F24N52M2	24	8	24	52	40	54		1100
GVAH4-80	80	480	272.960	8F24N52M4	24	8	24	52	40	54		1100
GVAH4-84	84	480	286.608	6F15N88M4	15	5	20	88	36	44		1100
GVAH4-90	90	480	307.080	10F27N52M4	27	9	30	52	48	66		1300
GVAH4-90	90	480	307.080	10F36N40M4	36	12	30	40	48	66		1000
GVAH4-94	94	480	320.728	6F12N120M4	12	4	20	120	36	44		1400
GVAH4-95	95	480	324.140	6F15N106M4	15	5	20	106	36	44		1280
GVAH4-101	101	480	344.612	8F18N88M4	18	6	24	88	40	54		1400
GVAH2-102	102	240	348.024	8F24N64M2	24	8	24	64	40	54		1200
GVAH4-102	102	480	348.024	8F24N64M4	24	8	24	64	40	54		1200
GVAH4-105	105	480	358.260	6F12N140M4	12	4	20	140	36	44		1650
GVAH4-108	108	480	368.496	10F36N48M4	36	12	30	48	48	66		1200
GVAH4-113	113	480	385.556	8F18N106M4	18	6	24	106	40	54		1600
GVAH4-115	115	480	392.380	10F27N64M4	27	9	30	64	48	66		1500
GVAH4-117	117	480	399.204	6F15N120M4	15	5	20	120	36	44		1400
GVAH2-120	120	240	409.440	8F24N77M2	24	8	24	77	40	54		1300
GVAH4-120	120	480	409.440	8F24N77M4	24	8	24	77	40	54		1300
GVAH4-121	121	480	412.852	6F12N160M4	12	4	20	160	36	44		1850
GVAH4-131	131	480	446.972	6F15N140M4	15	5	20	140	36	44		1650
GVAH4-134	134	480	457.208	8F24N88M4	24	8	24	88	40	54		1400

Gaumer Ammonia Vaporizer Type GVAH

Type: GVAH

Watt Density 23

Gaumer Model Number	KW Output	Volts	MBH/HR Output	Flanged Heater Catalog No.	Quantity Elements	Quantity Circuits	Chamber Diam.	Length (inches)	Width (inches)	Height (inches)	Volume (gal.)*	Net Weight
GVAH4-135	135	480	460.620	10F27N77M4	27	9	30	77	48	66		1650
GVAH4-140	140	480	477.680	8F18N120M4	18	6	24	120	40	54		1850
GVAH4-144	144	480	491.328	12F48N48M4	48	16	30	48	48	66		1200
GVAH4-151	151	480	515.212	6F15N160M4	15	5	20	160	36	44		1850
GVAH4-151	151	480	515.212	8F24N106M4	24	8	24	106	40	54		1600
GVAH4-151	151	480	515.212	10F27N88M4	27	9	30	88	48	66		1800
GVAH4-153	153	480	522.036	10F36N64M4	36	12	30	64	48	66		1500
GVAH4-157	157	480	535.684	8F18N140M4	18	6	24	140	40	54		2150
GVAH4-160	160	480	545.920	12F48N52M4	48	16	30	52	48	66		1300
GVAH4-170	170	480	580.040	10F27N106M4	27	9	30	106	48	66		2100
GVAH4-180	180	480	614.160	14F54N52M4	54	18	36	52	54	80		1500
GVAH4-180	180	480	614.160	10F36N77M4	36	12	30	77	48	66		1650
GVAH4-187	187	480	638.044	8F24N120M4	24	8	24	120	40	54		1850
GVAH4-200	200	480	682.400	14F60N52M4	60	20	36	52	54	80		1500
GVAH4-202	202	480	689.224	10F36N88M4	36	12	30	88	48	66		1800
GVAH4-204	204	480	696.048	12F48N64M4	48	16	30	64	48	66		1500
GVAH4-210	210	480	716.520	8F24N140M4	24	8	24	140	40	54		2150
GVAH4-211	211	480	719.932	10F27N120M4	27	9	30	120	48	66		2400
GVAH4-227	227	480	774.524	10F36N106M4	36	12	30	106	48	66		2100
GVAH4-230	230	480	784.760	14F54N64M4	54	18	36	64	54	80		1700
GVAH4-240	240	480	818.880	12F48N77M4	48	16	30	77	48	66		1650
GVAH4-242	242	480	825.704	8F24N160M4	24	8	24	160	40	54		2500
GVAH4-255	255	480	870.060	14F60N64M4	60	20	36	64	54	80		1700
GVAH4-268	268	480	914.416	12F48N88M4	48	16	30	88	48	66		1800
GVAH4-270	270	480	921.240	14F54N77M4	54	18	36	77	54	80		1950
GVAH4-302	302	480	1030.424	12F48N106M4	48	16	30	106	48	66		2100
GVAH4-302	302	480	1030.424	14F54N88M4	54	18	36	88	54	80		2100
GVAH4-306	306	480	1044.072	14F72N64M4	72	24	36	64	54	80		1700
GVAH4-315	315	480	1074.780	10F36N140M4	36	12	30	140	48	66		2700
GVAH4-336	336	480	1146.432	14F60N88M4	60	20	36	88	54	80		2100
GVAH4-340	340	480	1160.080	14F54N106M4	54	18	36	106	54	80		2400
GVAH4-360	360	480	1228.320	14F72N77M4	72	24	36	77	54	80		1950
GVAH4-362	362	480	1235.144	10F36N160M4	36	12	30	160	48	66		3100
GVAH4-374	374	480	1276.088	12F48N120M4	48	16	30	120	48	66		2400
GVAH4-403	403	480	1375.036	14F72N88M4	72	24	36	88	54	80		2100
GVAH4-414	414	480	1412.568	12F48N140M4	48	16	30	140	48	66		2700
GVAH4-421	421	480	1436.452	14F54N120M4	54	18	36	120	54	80		2700
GVAH4-454	454	480	1549.048	14F72N106M4	72	24	36	106	54	80		2400
GVAH4-476	476	480	1624.112	12F48N160M4	48	16	30	160	48	66		3100
GVAH4-525	525	480	1791.300	14F60N140M4	60	20	36	140	54	80		3200
GVAH4-543	543	480	1852.716	14F54N160M4	54	18	36	160	54	80		4700
GVAH4-562	562	480	1917.544	14F72N120M4	72	24	36	120	54	80		2700
GVAH4-630	630	480	2149.560	14F72N140M4	72	24	36	140	54	80		3800
GVAH4-724	724	480	2470.288	14F72N160M4	72	24	36	160	54	80		4700

GAUMER PROCESS

HEATERS
SYSTEMS
CONTROLS

Gaumer Heat Transfer Fluid Vaporizer Type GVOH

APPLICATIONS

Designed for use in process industries such as chemical, petrochemical, textile, and others requiring large amounts of accurately controlled heat at high temperatures with low operating pressures. Recirculating fluids such as Dowtherm A, Dowtherm J, and Therminol VP-1 can be maintained at temperatures as high as 750° F. Utilizing the vapor phase of these heat-transfer fluids promotes high heat transfer rates and also close temperature control.

STANDARD FEATURES

- Pre-engineered and proven design package that has been field tested under many kinds of conditions.
- Low Watt-density Heavy Wall (.035 in.thick) Incoloy 800 sheathed heating elements arranged to provide "Even Heat" inside tube bundle.
- All Welded 300 lb. Carbon Steel Tank Construction includes Hartford Loop Circuit if desired.
- Vessel and Relief Valve ASME Certified to 150psig @ 750° F.
- Industrial quality pressure gauges.
- Gate valves (inlet and outlet) provide system isolation from process when required.
- Flanged inlet and outlet.
- Process Controlling Digital Pressure Switch with 4-20ma output to SCR Thyristor System.
- Over-pressure Cutout Switch
- Liquid Level Control with Low Level Lockout
- Fully gasketed electrical control enclosure with door mounted disconnect handle, temperature indicator, pilot lights, and switches.



MORE STANDARD FEATURES

- Heating element sheath sensing thermocouple for quickest response to overheat conditions.
- SCR Thyristor Power Control - assures more accurate pressure/temperature control than conventional systems and effectively reduces watt-density during normal operations.
- Electronic over-temperature control with separate safety contactor and illuminated reset button.
- Electronic PID Type indicating temperature control.
- Installation, Operation, Parts List Manuals.

11/19/2001

Page 1 of 3

**GAUMER COMPANY, INC. · 13616 Hempstead Road · Houston · Texas · 77040 · Ph: 713.460.5200
Ph: 800.460.5200 · Fx: 713.460.1444 · Fx: 800.460.5700 · www.gaumer.com · sales@gaumer.com**

Gaumer Heat Transfer Fluid Vaporizer

Type GVOH

CONSTRUCTION

- Weatherproof Construction (NEMA IV)
- Explosion Resistant Construction (NEMA VII)
- Separate control package for remote mounting.
- Multiple systems on one skid.

OPTIONS

- Condensate Return Pump
- Condensate Return System
- Condensate Return System mounted on skid with integrally mounted controls.
- Chart recorder or data logger.
- Clock timer - 7 day with skip-a-day feature.

Type: GVOH

Watt Density 12

Gaumer Model Number	KW Output	Volts	MBH/HR Output	Flanged Heater Catalog No.	Quantity Elements	Quantity Circuits	Chamber Diam.	Length (inches)	Width (inches)	Height (inches)	Volume (gal.)*	Net Weight
GVOH2-12	12	240	40.944	6F12N33H2S	12	2	20	51	36	44		800
GVOH4-12	12	480	40.944	6F12N33H4S	12	2	20	51	36	44		800
GVOH2-15	15	240	51.180	6F12N40H2S	12	2	20	58	36	44		870
GVOH4-15	15	480	51.180	6F12N40H4S	12	2	20	58	36	44		870
GVOH2-18	18	240	61.416	6F12N48H2S	12	2	20	66	36	44		940
GVOH4-18	18	480	61.416	6F12N48H4S	12	2	20	66	36	44		940
GVOH2-25	25	240	85.300	6F12N61H2S	12	2	20	79	36	44		1040
GVOH4-25	25	480	85.300	6F12N61H4S	12	2	20	79	36	44		1040
GVOH2-33	33	240	112.596	6F12N78H2S	12	2	20	96	36	44		1180
GVOH4-33	33	480	112.596	6F12N78H4S	12	2	20	96	36	44		1180
GVOH2-38	38	240	129.656	6F12N95H4D	12	2	20	106	36	44		1280
GVOH4-38	38	480	129.656	6F12N95H4S	12	2	20	106	36	44		1280
GVOH2-42	42	240	143.304	6F12N106H4D	12	2	20	124	36	44		1470
GVOH4-42	42	480	143.304	6F12N106H4S	12	2	20	124	36	44		1470
GVOH2-45	45	240	153.540	6F12N120H4D	12	2	20	138	36	44		1600
GVOH4-45	45	480	153.540	6F12N120H4S	12	2	20	138	36	44		1600
GVOH2-53	53	240	180.836	6F12N140H4D	12	2	20	158	36	44		1800
GVOH4-53	53	480	180.836	6F12N140H4S	12	2	20	158	36	44		1800
GVOH2-60	60	240	204.720	6F12N160H4D	12	2	20	178	36	44		2000
GVOH4-60	60	480	204.720	6F12N160H4S	12	2	20	178	36	44		2000
GVOH2-75	75	240	255.900	8F24N95H4D	24	4	24	112	40	54		1700
GVOH4-75	75	480	255.900	8F24N95H4S	24	4	24	112	40	54		1700
GVOH2-84	84	240	286.608	8F24N106H4D	24	4	24	130	40	54		2000
GVOH4-84	84	480	286.608	8F24N106H4S	24	4	24	130	40	54		2000
GVOH2-90	90	240	307.080	8F24N120H4D	24	4	24	144	40	54		2200
GVOH4-90	90	480	307.080	8F24N120H4S	24	4	24	144	40	54		2200
GVOH2-105	105	240	358.260	8F24N140H4D	24	4	24	164	40	54		2600
GVOH4-105	105	480	358.260	8F24N140H4S	24	4	24	164	40	54		2600
GVOH2-121	121	240	412.852	8F24N160H4D	24	4	24	184	40	54		2900
GVOH4-121	121	480	412.852	8F24N160H4S	24	4	24	184	40	54		2900
GVOH4-150	150	480	511.800	12F48N95H4S	48	8	30	124	48	66		2500
GVOH4-167	167	480	569.804	12F48N106H4S	48	8	30	142	48	66		2800
GVOH4-180	180	480	614.160	12F48N120H4S	48	8	30	156	48	66		3000
GVOH4-210	210	480	716.520	12F48N140H4S	48	8	30	176	48	66		3300

Gaumer Heat Transfer Fluid Vaporizer

Type GVOH

Watt Density 12

Type: GVOH

Gaumer Model Number	KW Output	Volts	MBH/HR Output	Flanged Heater Catalog No.	Quantity Elements	Quantity Circuits	Chamber Diam.	Length (inches)	Width (inches)	Height (inches)	Volume (gal.)*	Net Weight
GVOH4-225	225	480	767.700	14F72N95H4S	72	12	36	130	54	80		2900
GVOH4-241	241	480	1.000	12F48N160H4S	48	8	30	196	48	66		3600
GVOH4-250	250	480	3.000	14F72N106H4S	72	12	36	148	54	80		4100
GVOH4-270	270	480	2.000	14F72N120H4S	72	12	36	162	54	80		4800
GVOH4-315	315	480	4.000	14F72N140H4S	72	12	36	182	54	80		5200
GVOH4-361	361	480	26.000	14F72N160H4S	72	12	36	202	54	80		5600
GVOH4-405	405	480	27.000	14F72N180H4S	72	12	36	222	54	80		5900

GAUMER PROCESS

HEATERS
SYSTEMS
CONTROLS

Electrically Heated Hot Melt Tanks

Type HMSQ - Indirect Heating System

APPLICATIONS

Originally designed for heating and maintaining various hot melt solutions to 400° F, this electrically heated tank has been found to be the answer to other heating applications where the solution is compatible with Type 316 St.Stl. and where use of directly immersed heaters is not desirable.

DESIGN

A unique "double tank" construction utilizing a special heat transfer liquid in the outer tank assures fast, even heat and trouble free service.

STANDARD FEATURES

Type 316 St.Stl. internal tank is encased with an insulated outer tank containing the heat transfer medium. The outside metal jacket and necessary electrical connections provide protection against both moisture and rough use.

CONTROLS

A Control Panel Assembly including a main disconnect, SCR Control with external heat sink, safety magnetic contactor, electronic indicating temperature control, electronic overtemperature control and control transformer with 120 Volt control circuit is provided for wall mounting.



OPTIONAL FEATURES

- Tank shapes and sizes other than the tanks listed as standard.
- Insulated cover, either lift off or automatic opening.
- Lifting lugs.
- Stainless steel parts baskets and parts rack.
- Remote heat transfer media expansion tank, commonly used in multiple tank installation.
- Time Clock, Chart Recorder, other Controls.

ItemID:	Gauger Catalog No.	Total kW	Inside Dimensions			Ouside Dimensions			Capacity (gal.)	Weight (lbs.)
			L (in.)	W (in.)	D (in.)	L (in.)	W (in.)	D (in.)		
29903	HMSQ-3838	12	38	38	38	46	52	36	140	1000
29904	HMSQ-4242	12	42	42	42	48	54	50	440	1500
29905	HMSQ-4848	18	48	48	48	54	60	56	478	2000
29906	HMR-9648	30	96	48	48	102	60	56	957	2600
29907	HMR-9660	36	96	60	60	102	66	68	1476	4200
29908	HMR-12060	48	120	60	60	126	66	68	1870	6200

GAUMER PROCESS

HEATERS
SYSTEMS
CONTROLS

Electrically Heated Phosphatizing Tanks Type PSQ - Indirect Heating System

APPLICATIONS

Originally designed for heating and maintaining various phosphate solutions at 200° F, this electrically heated tank has been found to be the answer to other heating applications where the solution is compatible with Type 316 SS. and where use of directly immersed heaters is not desirable.

DESIGN

A unique "double tank" construction utilizing a special heat transfer liquid in the outer tank assures fast, even heat and trouble free service.



STANDARD FEATURES

Type 316 SS internal tank is encased with an insulated outer tank containing the heat transfer medium. The outside metal jacket and necessary electrical connections provide protection against both moisture and rough use.

CONTROLS

A Control Panel Assembly including a main disconnect, mercury contactor, safety contactor, electronic indicating temperature controls, and control transformer with 120 Volt control circuit is provided for wall mounting.

OPTIONAL FEATURES

- Tank shapes and sizes other than the tanks listed as standard.
- Insulated cover, either lift off or automatic opening.
- Lifting lugs.
- Stainless steel parts baskets and parts rack
- Remote heat transfer media expansion tank, commonly used in multiple tank
- SCR Control, Time Clock, Chart Recorder

Gauger Catalog No.	Total kW	Inside Dimensions			Outside Dimensions			Capacity (gal.)	Weight (lbs.)
		L (in.)	W (in.)	D (in.)	L (in.)	W (in.)	D (in.)		
PSQ-3838	24	38	38	38	46	52	36	140	1000
PSQ-4242	24	42	42	42	48	54	50	440	1500
PSQ-4848	36	48	48	48	54	60	56	478	2000
PR-9648	60	96	48	48	102	60	56	957	2600
PR-9660	72	96	60	60	102	66	68	1476	4200
PR-12060	96	120	60	60	126	66	68	1870	6200

GAUMER PROCESS

HEATERS
SYSTEMS
CONTROLS

Electric Steam Boilers

Type GES - 12 KW to 180 KW
Trimmed at 100 PSIG

APPLICATIONS

- Laboratory use, steam for tanks, reactors, autoclaves, dyestuffs, food products, cosmetics, jacketed vessels for processing waxes, paraffins, glues, resins, varnishes, sterilizers, pipe tracing, and humidification.

LISTINGS

- Built in accordance with Section I of ASME Boiler and Pressure Vessel Codes. It is UL Listed and CSA certified.

AVAILABILITY

- Some sizes in Gaumer Company stock, others in three (3) to four (4) weeks, specials in six (6) to (10) weeks.

STANDARD FEATURES

- Liquid Level / LWCO McDonnell-Miller 150 controller automatically maintains proper water level and powers down the generator when water supply in the boiler drops below a safe operating level.
- Water Level Sight Glass allows constant observation of water level while boiler is operating.
- Blowdown / Drain Valve facilitates the emptying of the pressure vessel during blowdown/drain sequence.
- Main ON-OFF switch and Pilot Light mounted through cabinet front.
- Integrally mounted and wired magnetic contactors.
- Electric Heating Elements have stainless steel sheath material and are welded construction.
- Manual Reset Pressure Control provides high limit pressure shut down with manual reset.
- Operating Pressure Control maintains proper steam pressure within steam boiler.
- ASME Coded Steam Safety Valve automatically opens should excess steam pressure develop inside generator.
- Steam Pressure Gauge allows visual observation of steam pressure.
- Fully insulated pressure vessel minimizes heat loss and maximizes energy savings.
- Rugged construction makes steam generator suitable for most industrial applications.



Electric Steam Boilers

Type GES - 12 KW to 180 KW

Trimmed at 100 PSIG

Type: GES

Bhp	Condensate (Lbs./Hr.)	Gaumer Catalog Number	kW:	Volts	Quantity Circuits	Quantity Switches	Width (in.)	Length (in.)	Height (in.)	Net Wt. (lbs.)
1.224	36.2	GES12-208	12	208	1	1	20	28	36	230
1.224	36.2	GES12-240	12	240	1	1	20	28	36	230
1.224	36.2	GES12-480	12	480	1	1	20	28	36	230
1.734	51.2	GES18-208	17	208	1	1	20	28	36	240
1.734	51.2	GES18-240	17	240	1	1	20	28	36	240
1.734	51.2	GES18-480	17	480	1	1	20	28	36	240
2.448	72.3	GES24-208	24	208	2	1	23	33	44	300
2.448	72.3	GES24-240	24	240	2	1	23	33	44	300
2.448	72.3	GES24-480	24	480	1	1	23	33	44	300
2.958	87.4	GES29-208	29	208	2	1	23	33	44	310
2.958	87.4	GES29-240	29	240	2	1	23	33	44	310
2.958	87.4	GES29-480	29	480	1	1	23	33	44	310
3.468	102.5	GES34-208	34	208	2	1	23	33	44	310
3.468	102.5	GES34-240	34	240	2	1	23	33	44	310
3.468	102.5	GES34-480	34	480	1	1	23	33	44	310
4.692	138.7	GES46-208	46	208	4	1	23	33	44	315
4.692	138.7	GES46-240	46	240	3	1	23	33	44	315
4.692	138.7	GES46-480	46	480	2	1	23	33	44	315
5.916	174.8	GES58-208	58	208	4	1	23	33	44	380
5.916	174.8	GES58-240	58	240	3	1	23	33	44	380
5.916	174.8	GES58-480	58	480	2	1	23	33	44	380
6.936	205	GES68-208	68	208	4	1	23	33	44	390
6.936	205	GES68-240	68	240	4	1	23	33	44	390
6.936	205	GES68-480	68	480	2	1	23	33	44	390
10.404	307	GES100-208	102	208	6	2	28	34	59	625
10.404	307	GES100-240	102	240	6	2	28	34	59	625
10.404	307	GES100-480	102	480	3	2	28	34	59	625
13.872	410	GES136-208	136	208	8	3	30	36	59	785
13.872	410	GES136-240	136	240	8	3	30	36	59	785
13.872	410	GES136-480	136	480	4	3	30	36	59	785
16.014	475	GES160-240	157	240	8	3	30	36	61	785
16.014	475	GES160-480	157	480	4	3	30	36	61	785
18.36	543	GES180-240	180	240	9	3	30	36	61	790
18.36	543	GES180-480	180	480	5	3	30	36	61	790

FACTORY INSTALLED OPTIONS

- Low Pressure Trim 15, 30, and 50 are options. Please Specify.
- Single Phase Wiring - Available on GES12 - GES24. Please Specify.
- Control Transformer with fused primary and fused/grounded secondary
- SCR Stepless Control with 100% turndown capability. Contact Gaumer for options.
- Ammeter or Voltmeter - Contact Gaumer for options.
- Auxiliary Low Water Cut-off (Use GES81017) utilizes an amplifier with solid state (SCR) switching for control of automatic low water cutoff. When water level falls below a safe operation level the boiler is de-energized. A sensing device detects current flow between a submerged probe and the shell. The unit is available as a backup to the primary mechanical type low water cutoff control.

Electric Steam Boilers

Type GES - 12 KW to 180 KW

Trimmed at 100 PSIG

OPTIONAL EQUIPMENT

- Automatic Blowdown System (Use GES81600) automatically cycles boiler through daily shutdown, blowdown, and startup sequences. Consists of a brass body, motor driven, straight thru, self cleaning ball valve with Teflon seats. It handles particles and dirty fluid without the use of an upstream strainer or any other cleaning device. An electronic unit and timer controls the ball valve and boiler. Pilot lights indicate status of drain valve and boiler. If so equipped the blowdown function cannot be done manually.
- High Pressure Vacuum Breaker (Use GES89369) prevents the boiler from flooding as a result of the steam condensing internally and creating a vacuum after boiler shutdown. The breaker allows air to enter the shell breaking the vacuum. The Vacuum Breaker is required with a condensate return system and consists of a spring loaded disc and associated piping. It is plumbed to the boiler at the factory.
- Low Pressure Water Feed System (GES99117) used to supply makeup water to the boiler when incoming water pressure is at least 10 psig greater than desired operating pressure of the boiler. Completely factory plumbed and wired: (0-100)psig range - 1/2 NPT size. Consists of strainer, solenoid valve(120/1/50-60Hz), and check valve.
- Modulating proportional sequencer with operating mode indicator lights. Check Gaumer for details.
- High Pressure Cold Water Feed System - Type GES12-GES72 (Use GES38002) and Type GES100-GES180 (Use GES38020) are used to maintain constant water level in the steam boiler when boiler operating pressure is equal to or greater than the incoming water line pressure and condensate is not returned to the boiler.
- Condensate Return System should be used whenever condensate can be collected and reused in the boiler. A significant amount of energy can be saved by reusing the condensate. Also returned condensate is free of minerals and deposits found in most water supplies. Type GES12-GES72 (Use GES38083V) and Type GES100-GES180 (Use GES38084V) Each system consists of a condensate return tank, a motor and pump, and necessary plumbing. A 1/2 inch inlet is located on the tank to accept make-up water. A vent fitting is located on the top of the condensate tank for atmospheric venting. The return fitting is to be plumbed to the trapped condensate return line coming from the process. The tank has a ball check valve internally mounted and a floating arm and float ball that mechanically allows water to enter the tank as the original supply is used. The pump discharge outlet is connected to the boiler check valve. Pump motor must be wired to the boiler.
- Blowdown Separator prevents live steam from escaping during blowdown. Unit is ASME Code Stamped and accepts flash steam and effluent from the boiler blowdown valve, reduces the temperature and the pressure prior to discharge. Requires separate plumbing in the field to blowdown valve and a cold water supply. Check Gaumer for proper model selection.

Electric Steam Boilers

Type GSSB - 12 KW to 180 KW
Trimmed at 100 PSIG

APPLICATIONS

Where copper, iron, and other materials cannot be tolerated in the steam or the steam process such as deionized, demineralized, distilled, or reverse osmosis. For use with water having a minimum specific resistivity of 1 Megohm or higher.

LISTINGS

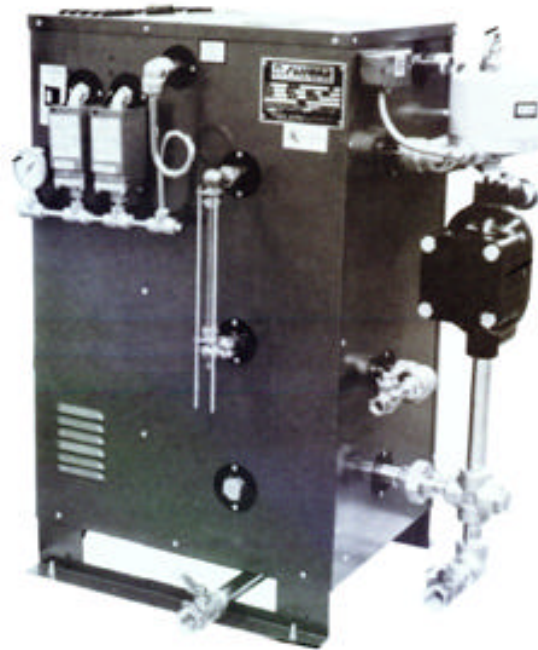
Built in accordance with Section I Code M of ASME Boiler and Pressure Vessel Codes. It is UL Listed and CSA certified.

AVAILABILITY

Stock to six (6) weeks, specials in ten (10) to twelve (12) weeks.

STANDARD FEATURES

- All wetted parts are Type 304 Stainless Steel.
- Liquid Level / LWCO Conductivity-Independent float type controller automatically maintains proper water level and powers down the boiler when water supply in the boiler drops below a safe operating level.
- Water Level Sight Glass allows constant observation of water level while boiler is operating.
- ON-OFF switch and Pilot Light mounted through cabinet front and magnetic contactor mounted inside control compartment.
- Integrally mounted and wired magnetic contactors with Class J 600V fusing.
- Manual Reset Pressure Control provides high limit pressure shut down with manual reset.
- Electric Heating Elements have stainless steel sheath material and are welded construction.
- Blowdown / Drain Valve facilitates the emptying of the pressure vessel during blowdown/drain sequence.
- Operating Pressure Control maintains proper steam pressure within steam boiler.
- ASME Coded Steam Safety Valve automatically opens should excess steam pressure develop inside boiler.
- Steam Pressure Gauge allows visual observation of steam pressure.
- Fully insulated pressure vessel minimizes heat loss and maximizes energy savings.
- Rugged construction makes steam generator suitable for most industrial applications.



Electric Steam Boilers

Type GSSB - 12 KW to 180 KW
Trimmed at 100 PSIG

Type: GSSB

Bhp	Condensate (Lbs./Hr.)	Gaumer Catalog Number	kW:	Volts	Quantity Circuits	Quantity Switches	Width (in.)	Length (in.)	Height (in.)	Net Wt. (lbs.)
1.224	36.2	GSSB12-208	12	208	1	1	20	28	36	230
1.224	36.2	GSSB12-240	12	240	1	1	20	28	36	230
1.224	36.2	GSSB12-480	12	480	1	1	20	28	36	230
1.734	51.2	GSSB18-208	17	208	1	1	20	28	36	240
1.734	51.2	GSSB18-240	17	240	1	1	20	28	36	240
1.734	51.2	GSSB18-480	17	480	1	1	20	28	36	240
2.448	72.3	GSSB24-208	24	208	2	1	23	33	44	300
2.448	72.3	GSSB24-240	24	240	2	1	23	33	44	300
2.448	72.3	GSSB24-480	24	480	1	1	23	33	44	300
2.958	87.4	GSSB29-208	29	208	2	1	23	33	44	310
2.958	87.4	GSSB29-240	29	240	2	1	23	33	44	310
2.958	87.4	GSSB29-480	29	480	1	1	23	33	44	310
3.468	102.5	GSSB34-208	34	208	2	1	23	33	44	310
3.468	102.5	GSSB34-240	34	240	2	1	23	33	44	310
3.468	102.5	GSSB34-480	34	480	1	1	23	33	44	310
4.692	138.7	GSSB46-208	46	208	4	1	23	33	44	315
4.692	138.7	GSSB46-240	46	240	3	1	23	33	44	315
4.692	138.7	GSSB46-480	46	480	2	1	23	33	44	315
5.916	174.8	GSSB58-208	58	208	4	1	23	33	44	380
5.916	174.8	GSSB58-240	58	240	3	1	23	33	44	380
5.916	174.8	GSSB58-480	58	480	2	1	23	33	44	380
6.936	205	GSSB68-208	68	208	4	1	23	33	44	390
6.936	205	GSSB68-240	68	240	4	1	23	33	44	390
6.936	205	GSSB68-480	68	480	2	1	23	33	44	390
10.404	307	GSSB100-208	102	208	6	2	28	34	59	625
10.404	307	GSSB100-240	102	240	6	2	28	34	59	625
10.404	307	GSSB100-480	102	480	3	2	28	34	59	625
13.872	410	GSSB136-208	136	208	8	3	30	36	59	785
13.872	410	GSSB136-240	136	240	8	3	30	36	59	785
13.872	410	GSSB136-480	136	480	4	3	30	36	59	785
16.014	475	GSSB160-240	157	240	8	3	30	36	61	785
16.014	475	GSSB160-480	157	480	4	3	30	36	61	785
18.36	543	GSSB180-240	180	240	9	3	30	36	61	790
18.36	543	GSSB180-480	180	480	5	3	30	36	61	790

FACTORY INSTALLED OPTIONS

- Low Pressure Trim 15, 30, and 50 are options. Please Specify.
- Single Phase Wiring - Available on GSSB12 - GSSB24. Please Specify.
- Ammeter or Voltmeter - Contact Gaumer for options.
- Control Transformer with fused primary and fused/grounded secondary
- SCR Stepless Control with 100% turndown capability. Contact Gaumer for options.

Electric Steam Boilers

Type GSSB - 12 KW to 180 KW

Trimmed at 100 PSIG

OPTIONAL EQUIPMENT

- Auxiliary Low Water Cut-off (Use GSSB81017) utilizes an amplifier with solid state (SCR) switching for control of automatic low water cutoff. When water level falls below a safe operation level the boiler is de-energized. A sensing device detects current flow between a submerged probe and the shell. The unit is available as a backup to the primary mechanical type low water cutoff control.
- Automatic Blowdown System (Contact Gaumer for Model Number) automatically cycles boiler through daily shutdown, blowdown, and startup sequences. Consists of a stainless steel, motor driven, straight thru, self cleaning ball valve with Teflon seats. It handles particles and dirty fluid without the use of an upstream strainer or any other cleaning device. An electronic unit and timer controls the ball valve and boiler. Pilot lights indicate status of drain valve and boiler. If so equipped the blowdown function cannot be done manually.
- High Pressure Vacuum Breaker (Contact Gaumer for Model Number) prevents the boiler from flooding as a result of the steam condensing internally and creating a vacuum after boiler shutdown. The breaker allows air to enter the shell breaking the vacuum. The Vacuum Breaker is required with a condensate return system and consists of a spring loaded disc and associated piping. It is plumbed to the boiler at the factory.
- Blowdown Separator prevents live steam from escaping during blowdown. Unit is ASME Code Stamped and accepts flash steam and effluent from the boiler blowdown valve, reduces the temperature and the pressure prior to discharge. Requires separate plumbing in the field to blowdown valve and a cold water supply. Check Gaumer for proper model selection.
- Low Pressure Water Feed System (Contact Gaumer for Model Number) used to supply makeup water to the boiler when incoming water pressure is at least 10 psig greater than desired operating pressure of the boiler. Completely factory plumbed and wired: (0-150) psig range - 1/2 NPT size. Consists of strainer, solenoid valve (120/1/50-60Hz), and check valve.
- High Pressure Cold Water Feed System - Type GSSB12-GSSB180 (Contact Gaumer for Model Number) are used to maintain constant water level in the steam boiler when boiler operating pressure is equal to or greater than the incoming water line pressure and condensate is not returned to the boiler.
- Modulating proportional sequencer with operating mode indicator lights. Check Gaumer for details.

High Pressure Electric Steam Boilers

Type GHPES - 12 KW to 102 KW
Trimmed at 250 PSIG

APPLICATIONS

- Laboratory use, steam for tanks, storage tanks, reactions and distillations, autoclaves, dyestuffs, food products, jacketed vessels for processing waxes, paraffins, glues, resins, and varnishes.

LISTINGS

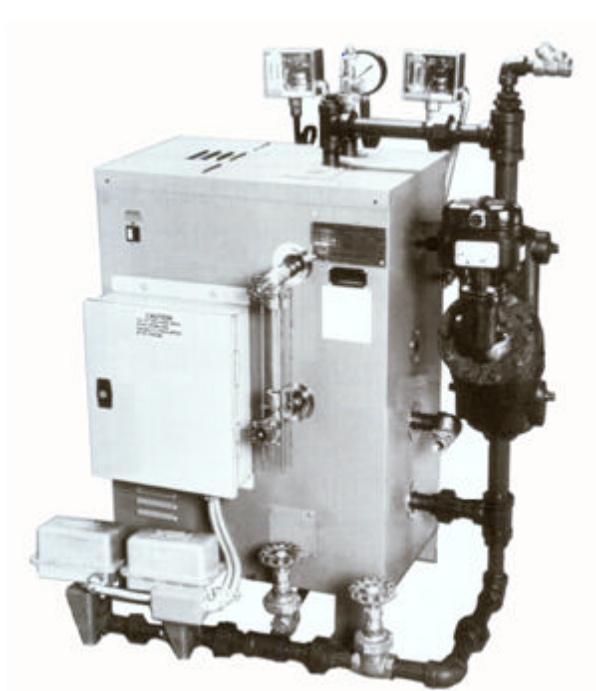
- Built in accordance with Code S of ASME Boiler and Pressure Vessel Code and is UL Listed.

AVAILABILITY

- Most sizes in eight (8) to ten (10) weeks.

STANDARD FEATURES

- Liquid Level / LWCO Electronic controller automatically maintains proper water level and powers down the boiler when water supply in the boiler drops below a safe operating level.
- Water Level Sight Glass allows constant observation of water level while boiler is operating.
- Main ON-OFF switch and Pilot Light mounted through cabinet front.
- Integrally mounted and wired magnetic contactors.
- Manual Reset Pressure Control provides high limit pressure shut down with manual
- Blowdown / Drain Valve facilitates the emptying of the pressure vessel during blowdown/drain sequence.
- Electric Heating Elements have stainless steel sheath material and are welded construction.
- Operating Pressure Control maintains proper steam pressure within steam boiler.
- ASME Coded Steam Safety Valve automatically opens should excess steam pressure develop inside boiler.
- Steam Pressure Gauge allows visual observation of steam pressure.
- Fully insulated pressure vessel minimizes heat loss and maximizes energy savings.
- Rugged construction makes steam boiler suitable for most industrial applications.



High Pressure Electric Steam Boilers

Type GHPES - 12 KW to 102 KW

Trimmed at 250 PSIG

Type: GHPES

Bhp	Condensate (Lbs./Hr.)	Gaumer Catalog Number	kW:	Volts	Quantity Circuits	Quantity Switches	Width (in.)	Length (in.)	Height (in.)	Net Wt. (lbs.)
1.224	36.2	GHPES12-208	12	208	1	1	24	33	45	420
1.224	36.2	GHPES12-240	12	240	1	1	24	33	45	420
1.224	36.2	GHPES12-480	12	480	1	1	24	33	45	420
1.734	51.2	GHPES18-208	17	208	1	1	24	33	45	430
1.734	51.2	GHPES18-240	17	240	1	1	24	33	45	430
1.734	51.2	GHPES18-480	17	480	1	1	24	33	45	430
2.448	72.3	GHPES24-208	24	208	2	1	27	33	45	525
2.448	72.3	GHPES24-240	24	240	2	1	27	33	45	525
2.448	72.3	GHPES24-480	24	480	1	1	27	33	45	525
2.958	87.4	GHPES30-208	29	208	2	1	27	33	45	525
2.958	87.4	GHPES30-240	29	240	2	1	27	33	45	525
2.958	87.4	GHPES30-480	29	480	1	1	27	33	45	525
3.468	102.5	GHPES36-208	34	208	2	1	27	33	45	525
3.468	102.5	GHPES36-240	34	240	2	1	27	33	45	525
3.468	102.5	GHPES36-480	34	480	1	1	27	33	45	525
4.692	138.7	GHPES48-208	46	208	4	1	27	33	45	635
4.692	138.7	GHPES48-240	46	240	3	1	27	33	45	635
4.692	138.7	GHPES48-480	46	480	2	1	27	33	45	635
5.916	174.8	GHPES60-208	58	208	4	1	27	33	45	645
5.916	174.8	GHPES60-240	58	240	3	1	27	33	45	645
5.916	174.8	GHPES60-480	58	480	2	1	27	33	45	645
6.936	205	GHPES72-208	68	208	4	1	27	33	45	645
6.936	205	GHPES72-240	68	240	4	1	27	33	45	645
6.936	205	GHPES72-480	68	480	2	1	27	33	45	645
10.404	307	GHPES100-208	102	208	6	2	31	33	62	1260
10.404	307	GHPES100-240	102	240	6	2	31	33	62	1260
10.404	307	GHPES100-480	102	480	3	2	31	33	62	1260

FACTORY INSTALLED OPTIONS

- Single Phase Wiring - Available on GHPES12 - GHPES24. Please Specify.
- Control Transformer with fused primary and fused/grounded secondary
- SCR Stepless Control with 100% turndown capability. Contact Gaumer for options.
- Ammeter or Voltmeter - Contact Gaumer for options.
- Auxiliary Low Water Cut-off (Use GHPES81017) utilizes an amplifier with solid state (SCR) switching for control of automatic low water cutoff. When water level falls below a safe operation level the boiler is de-energized. A sensing device detects current flow between a submerged probe and the shell. The unit is available as a backup to the primary mechanical type low water cutoff control.

High Pressure Electric Steam Boilers

Type GHPES - 12 KW to 102 KW

Trimmed at 250 PSIG

OPTIONAL EQUIPMENT

- Automatic Blowdown System (Use GHPES81025) automatically cycles boiler through daily shutdown, blowdown, and startup sequences. Consists of a brass body, motor driven, straight thru, self cleaning ball valve with Teflon seats. It handles particles and dirty fluid without the use of an upstream strainer or any other cleaning device. An electronic unit and timer controls the ball valve and boiler. Pilot lights indicate status of drain valve and boiler. If so equipped the blowdown function cannot be done manually.
- High Pressure Vacuum Breaker (Use GHPES89369) prevents the boiler from flooding as a result of the steam condensing internally and creating a vacuum after boiler shutdown. The breaker allows air to enter the shell breaking the vacuum. The Vacuum Breaker is required with a condensate return system and consists of a spring loaded disc and associated piping. It is plumbed to the boiler at the factory.
- Modulating proportional sequencer with operating mode indicator lights. check Gaumer for details.
- Condensate Return System should be used whenever condensate can be collected and reused in the boiler. A significant amount of energy can be saved by reusing the condensate. Also returned condensate is free of minerals and deposits found in most water supplies. Type GHPES12-GHPES180 (Use GHPES38047). Each system consists of a condensate return tank, a motor and pump, and necessary plumbing. A 1/2 inch inlet is located on the tank to accept make-up water. A vent fitting is located on the top of the condensate tank for atmospheric venting. The return fitting is to be plumbed to the trapped condensate return line coming from the process. the tank as a ball check valve internally mounted and a floating arm and float ball that mechanically allows water to enter the tank as the original supply is used. The pump discharge outlet is connected to the boiler check valve. Pump motor must be wired to the boiler.
- Motor Starter with thermal overload protection for use with Models GHPES38046 _GHPES38047, factory mounted and wired.
- Blowdown Separator prevents live steam from escaping during blowdown. Unit is ASME Code Stamped and accepts flash steam and effluent from the boiler blowdown valve, reduces the temperature and the pressure prior to discharge. Requires separate plumbing in the field to blowdown valve and a cold water supply. Check Gaumer for proper model selection.

GAUMER PROCESS

HEATERS
SYSTEMS
CONTROLS

APPLICATIONS

Steam for tanks and storage tanks, reactions, distillations, autoclaves, dyestuffs, food processing, jacketed vessels, pipe tracing, viscous materials, fuel oil line heating, comfort heating, and humidification.

LISTINGS

Built in accordance with Section I Code S of ASME Boiler and Pressure Vessel Codes. It is UL Listed and CSA certified.

AVAILABILITY

Three (3) to six (6) weeks, specials in eight (8) to (10) weeks.

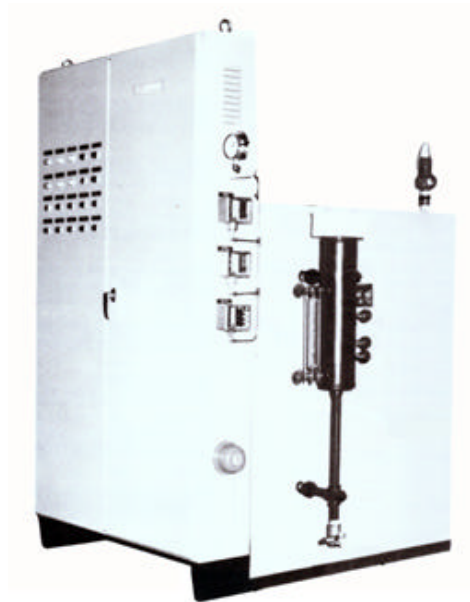
STANDARD FEATURES

- Liquid Level / LWCO (both main and secondary) Electronic controller automatically maintains proper water level and powers down the generator when water supply in the boiler drops below a safe operating level.
- Water Level Sight Glass allows constant observation of water level while boiler is operating.
- Operating Pressure Control maintains proper steam pressure within steam generator.
- Manual Reset Pressure Control provides high limit pressure shut down with manual reset.
- ASME Coded Steam Safety Valve automatically opens should excess steam pressure develop inside generator.
- Blowdown / Drain Valves facilitate the emptying of the pressure vessel during blowdown/drain sequence.
- Steam Pressure Gauge allows visual observation of steam pressure.

Electric Steam Generators

Type GVS - 210 KW to 1620 KW

Trimmed at 150 PSIG



- Modulating proportional sequencer with operating mode indicator lights.
- Check valve with solenoid feedwater valve
- Integrally mounted and wired magnetic contactors with Class J 600V fusing
- Integrally mounted control transformer with fused primary and fused/grounded 120 VAC secondary.
- Class J (600 VAC) Subdivided Circuit Fusin
- Electric Heating Elements have Incoloy sheath material, and are welded construction.
- Rugged construction makes steam generator suitable for most industrial applications.
- Fully insulated (4 inches thick) pressure vessel minimizes heatloss and maximizes energy savings.

GAUMER PROCESS

HEATERS
SYSTEMS
CONTROLS

Type: GVS

Bhp	Condensate (Lbs./Hr.)	Gaumer Catalog Number	kW:	Volts	Quantity Circuits	Quantity Switches	Width (in.)	Length (in.)	Height (in.)	Net Wt. (lbs.)
21.42	633	GVS210-240	210	240	12	3	28	30	54	935
21.42	633	GVS210-480	210	480	6	3	28	30	54	935
24.48	723	GVS240-240	240	240	12	3	28	30	54	935
24.48	723	GVS240-480	240	480	8	3	28	30	54	935
27.54	814	GVS270-240	270	240	14	3	30	46	64	1480
27.54	814	GVS270-480	270	480	9	3	30	46	64	1480
30.6	904	GVS300-240	300	240	15	3	30	46	64	1530
36.72	1085	GVS360-480	360	480	10	3	30	46	64	1530
42.84	1266	GVS420-480	420	480	14	3	30	46	64	1700
48.96	1446	GVS480-480	480	480	14	3	48	52	78	2100
55.08	1628	GVS540-480	540	480	14	3	48	52	78	2250
64.26	1899	GVS630-480	630	480	16	3	48	52	78	2300
73.44	2170	GVS720-480	720	480	18	3	cs	cs	cs	2800
82.62	2441	GVS810-480	810	480	21	3	cs	cs	cs	3000
96.39	2848	GVS945-480	945	480	24	3	cs	cs	cs	3200
110.16	3255	GVS1080-480	1080	480	27	3	cs	cs	cs	3400
123.93	3662	GVS1215-480	1215	480	2	3	cs	cs	cs	3600
137.7	4069	GVS1350-480	1350	480	34	3	cs	cs	cs	3800
151.47	4476	GVS1485-480	1485	480	38	3	cs	cs	cs	4000
165.24	4883	GVS1620-480	1620	480	42	3	cs	cs	cs	4200

cs - Consult Factory

FACTORY INSTALLED OPTIONS

- Auxiliary Low Water Cut-off
- Control Transformer with fused primary and fused/grounded secondary
- Automatic Blowdown System
- High Pressure Vacuum Breaker (required with condensate return system).
- Ammeter or Voltmeter
- Modulating proportional sequencer with operating mode indicator lights.
- SCR Stepless Control with 100% turndown capability
- Low Pressure Trim - 15, 30, and 50 are available options

OPTIONAL EQUIPMENT

- High Pressure Cold Water Feed System
- Condensate Return System
- Blowdown Separator

GAUMER PROCESS

HEATERS
SYSTEMS
CONTROLS

Electric Steam Boilers

Type GMB - 3 KW to 20 KW
Trimmed at 100 PSIG

APPLICATIONS

Laboratory use, steam for small tanks, sterilizers, reactions and distillation systems, autoclaves, food products, jacketed vessels for processing waxes, paraffins, glues, resins, varnishes, and also for woodbending.

LISTINGS

Built in accordance with Section I Code M of ASME Boiler and Pressure Vessel Codes. It is UL Listed and CSA certified.

AVAILABILITY

Many Sizes in Gaumer Company Stock, others in four (4) to six (6) weeks, specials in six (6) to (10) weeks.

STANDARD FEATURES

- Liquid Level / LWCO Electronic controller automatically maintains proper water level and powers down the boiler when water supply in the boiler drops below a safe operating level.
- Water Level Sight Glass allows constant observation of water level while boiler is operating.
- ON-OFF switch and Pilot Light mounted through cabinet front and magnetic contactor mounted inside control compartment.
- Blowdown / Drain Valve facilitates the emptying of the pressure vessel during blowdown/drain sequence.
- Electric Heating Elements have stainless steel sheath material and are welded construction.
- Operating Pressure Control maintains proper steam pressure within steam boiler.
- Manual Reset Pressure Control provides high limit pressure shut down with manual reset.
- ASME Coded Steam Safety Valve automatically opens should excess steam pressure develop inside boiler.
- Steam Pressure Gauge allows visual observation of steam pressure.
- Fully insulated pressure vessel minimizes heat loss and maximizes energy savings.
- Rugged construction makes steam boiler suitable for most industrial applications.



Electric Steam Boilers

Type GMB - 3 KW to 20 KW

Trimmed at 100 PSIG

Type: GMB

Bhp	Condensate (Lbs./Hr.)	Gaumer Catalog Number	kW:	Volts	Quantity Circuits	Quantity Switches	Width (in.)	Length (in.)	Height (in.)	Net Wt. (lbs.)
0.306	9	GMB03-120	3	120	1	1	16	21	18	125
0.306	9	GMB03-208	3	208	1	1	16	21	18	125
0.306	9	GMB03-240	3	240	1	1	16	21	18	125
0.612	18	GMB06-208	6	208	1	1	16	21	18	125
0.612	18	GMB06-240	6	240	1	1	16	21	18	125
0.612	18	GMB06-480	6	480	1	1	16	21	18	125
0.918	27	GMB09-208	9	208	1	1	16	21	18	125
0.918	27	GMB09-240	9	240	1	1	16	21	18	125
0.918	27	GMB09-480	9	480	1	1	16	21	18	125
1.224	36	GMB12-208	12	208	1	1	16	21	18	125
1.224	36	GMB12-240	12	240	1	1	16	21	18	125
1.224	36	GMB12-480	12	480	1	1	16	21	18	125
1.836	54	GMB18-208	18	208	1	1	16	21	18	125
1.836	54	GMB18-240	18	240	1	1	16	21	18	125
1.836	54	GMB18-480	18	480	1	1	16	21	18	125
2.04	60	GMB20-208	20	208	2	1	16	21	18	125
2.04	60	GMB20-240	20	240	1	1	16	21	18	125
2.04	60	GMB20-480	20	480	1	1	16	21	18	170

FACTORY INSTALLED OPTIONS

- Auxiliary Low Water Cut-off
- Single Phase Wiring
- Low Pressure Trim 15, 30, and 50 are options

OPTIONAL EQUIPMENT

- High Pressure Cold Water Feed System
- Blowdown Separator
- Automatic Blowdown System

Electric Thermal Fluid Filled Heat Exchanger

APPLICATIONS

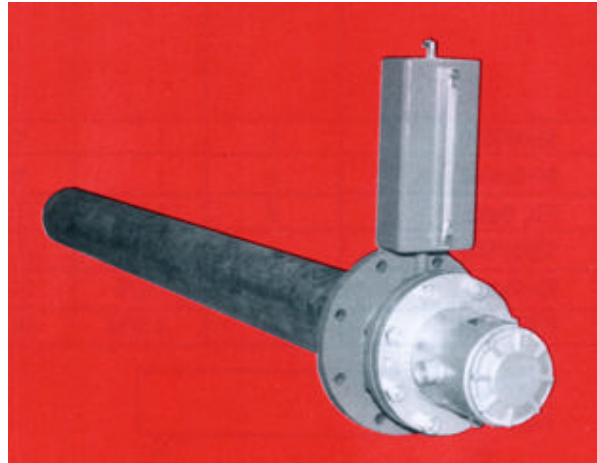
For heating most process liquids - especially well suited for heating viscous "heat sensitive" fluids which tend to "coke" or carbonize with conventional electric heaters.

BENEFITS

No "hot spots" inside heater, maximum heat transfer, and a controlled and temperature limited heat source.

STANDARD FEATURES

Rugged design includes Schedule 40 steel heating pipe and ANSI 150 lb. steel flange. Incoloy sheathed electric heating elements are completely surrounded by a thermal heat transfer fluid. Integrally mounted thermocouples sensing both the heat transfer fluid and the heater sheath temperature are included. A gasketed terminal housing is standard.



ACCESSORIES

- SB(HT) Steel Support Bracket for field mounting inside vessel to be heated. Recommended for long heat exchangers which are not considered "self-supporting". Standard height is twelve (12) inches and can be made shorter at job site.
- SSB(HT) Same as above but Type 304 Stainless Steel.

OPTIONS

- | | | | |
|------|---|------|---|
| -ER | Explosion resistant terminal housing. | -C | Teflon, Kynar, or Polyvinyl Coating (specify) |
| -RE | Removable heating bundle section. | -X | Other materials utilized, i.e. 304 St.Stl., 316 St.Stl., Monel, Inconel, Incoloy. |
| -ET | Expansion Tank with sight glass. | -F | Expansion Tank with sight glass. Fins, either axial or longitudinal, welded to heater |
| -PTC | Integrally mounted process thermocouple - requires a larger flange. | -HTF | Integrally mounted process thermocouple - requires a larger flange. |
| -LC | Control panel assembly mounted and prewired on heat exchanger. | | |

Electric Thermal Fluid Filled Heat Exchanger

WattDensity:

23

CatNmbr	KW	VoltsNo	Length	Diameter	Q_htrs
11S6F4P19E6M2	6	240	19	6	6
11S6F4P19E6M4	6	480	19	6	6
11S6F4P23E6M2	7.5	240	23	6	6
11S6F4P23E6M4	7.5	480	23	6	6
11S6F4P28E6M2	9	240	28	6	6
11S6F4P28E6M4	9	480	28	6	6
11S6F4P37E6M2	12	240	37	6	6
11S8F6P26E12M2	12	240	26	8	12
11S8F6P26E12M4	12	480	26	8	12
11S6F4P37E6M4	12	480	37	6	6
11S6F4P46E6M2	15	240	46	6	6
11S8F6P32E12M2	15	240	32	8	12
11S6F4P46E6M4	15	480	46	6	6
11S8F6P32E12M4	15	480	32	8	12
11S8F6P39E12M2	18	240	39	8	12
11S8F6P39E12M4	18	480	39	8	12
11S6F4P62E6M2	20	240	62	6	6
11S6F4P62E6M4	20	480	62	6	6
11S8F6P51E12M2	24	240	51	8	12
11S8F6P51E12M4	24	480	51	8	12
11S6F4P77E6M2	25	240	77	6	6
11S6F4P77E6M4	25	480	77	6	6
11S8F6P64E12M2	30	240	64	8	12
11S6F4P92E6M2	30	240	92	6	6
11S8F6P64E12M4	30	480	64	8	12
11S6F4P92E6M4	30	480	92	6	6
11S6F4P103E6M4	33.6	480	103	6	6
11S6F4P116E6M4	37.8	480	116	6	6
11S8F6P85E12M2	40	240	85	8	12
11S8F6P85E12M4	40	480	85	8	12
11S8F6P106E12M2	50	240	106	8	12
11S8F6P106E12M4	50	480	106	8	12
11S8F6P128E12M2	60	240	128	8	12
11S8F6P128E12M4	60	480	128	8	12
11S8F6P143E12M4	67.2	480	143	8	12
11S8F6P161E12M4	75.6	480	161	8	12

Electric Thermal Fluid Filled Heat Exchanger

WattDensity:

15

CatNmbr	KW	VoltsNo	Length	Diameter	Q_htrs
7S6F4P29E6M2	6	240	29	6	6
7S6F4P29E6M4	6	480	29	6	6
7S6F4P36E6M2	7.5	240	36	6	6
7S6F4P36E6M4	7.5	480	36	6	6
7S6F4P43E6M2	9	240	43	6	6
7S6F4P43E6M4	9	480	43	6	6
7S6F4P57E6M2	12	240	57	6	6
7S8F6P39E12M2	12	240	39	8	12
7S6F4P57E6M4	12	480	57	6	6
7S8F6P39E12M4	12	480	39	8	12
7S6F4P71E6M2	15	240	71	6	6
7S8F6P49E12M2	15	240	49	8	12
7S8F6P49E12M4	15	480	49	8	12
7S6F4P71E6M4	15	480	71	6	6
6S6F4P101N3M4	16.8	480	101	6	3
7S8F6P59E12M2	18	240	59	8	12
7S8F6P59E12M4	18	480	59	8	12
6S6F4P114N3M4	18.9	480	114	6	3
7S6F4P95E6M2	20	240	95	6	6
7S6F4P95E6M4	20	480	95	6	6
7S8F6P79E12M2	24	240	79	8	12
7S8F6P79E12M4	24	480	79	8	12
7S6F4P118E6M2	25	240	118	6	6
6S8F6P102N6M2	25	240	102	8	6
6S8F6P102N6M4	25	480	102	8	6
7S6F4P118E6M4	25	480	118	6	6
6S8F6P123N6M2	30	240	123	8	6
7S8F6P98E12M2	30	240	98	8	12
7S6F4P142E6M2	30	240	142	6	6
6S8F6P123N6M4	30	480	123	8	6
7S8F6P98E12M4	30	480	98	8	12
7S6F4P142E6M4	30	480	142	6	6
7S6F4P159E6M4	33.6	480	159	6	6
6S8F6P137N6M4	33.6	480	137	8	6
7S6F4P179E6M4	37.8	480	179	6	6
6S8F6P155N6M4	37.8	480	155	8	6
7S8F6P131E12M2	40	240	131	8	12
7S8F6P131E12M4	40	480	131	8	12

Electric Thermal Fluid Filled Heat Exchanger

WattDensity: 15

CatNmbr	KW	VoltsNo	Length	Diameter	Q_htrs
7S8F6P164E12M2	50	240	164	8	12
7S8F6P164E12M4	50	480	164	8	12
7S8F6P196E12M2	60	240	196	8	12
7S8F6P196E12M4	60	480	196	8	12
7S8F6P220E12M4	67.2	480	220	8	12
7S8F6P247E12M4	75.6	480	247	8	12

WattDensity: 12

CatNmbr	KW	VoltsNo	Length	Diameter	Q_htrs
6S6F4P20N3M2	3	240	20	6	3
6S6F4P20N3M4	3	480	20	6	3
6S6F4P23N3M2	3.8	240	23	6	3
6S6F4P23N3M4	3.8	480	23	6	3
6S6F4P28N3M2	4.5	240	28	6	3
6S6F4P28N3M4	4.5	480	28	6	3
6S8F6P25N6M2	6	240	25	8	6
6S6F4P36N3M2	6	240	36	6	3
6S6F4P36N3M4	6	480	36	6	3
6S8F6P25N6M4	6	480	25	8	6
6S6F4P45N3M2	7.5	240	45	6	3
6S8F6P31N6M2	7.5	240	31	8	6
6S8F6P31N6M4	7.5	480	31	8	6
6S6F4P45N3M4	7.5	480	45	6	3
6S8F6P38N6M2	9	240	38	8	6
6S8F6P38N6M4	9	480	38	8	6
6S6F4P60N3M2	10	240	60	6	3
6S6F4P60N3M4	10	480	60	6	3
6S8F6P49N6M2	12	240	49	8	6
6S8F6P49N6M4	12	480	49	8	6
6S6F4P75N3M2	12.5	240	75	6	3
6S6F4P75N3M4	12.5	480	75	6	3
6S8F6P62N6M2	15	240	62	8	6
6S6F4P90N3M2	15	240	90	6	3
6S8F6P62N6M4	15	480	62	8	6
6S6F4P90N3M4	15	480	90	6	3
6S8F6P82N6M2	20	240	82	8	6
6S8F6P82N6M4	20	480	82	8	6

Electric Thermal Fluid Filled Heat Exchanger

WattDensity:

8

CatNmbr	KW	VoltsNo	Length	Diameter	Q_htrs
4S6F4P27N3M2	3	240	27	6	3
4S6F4P27N3M4	3	480	27	6	3
4S6F4P34N3M2	3.8	240	34	6	3
4S6F4P34N3M4	3.8	480	34	6	3
4S6F4P40N3M2	4.5	240	40	6	3
4S6F4P40N3M4	4.5	480	40	6	3
4S6F4P53N3M2	6	240	53	6	3
4S8F6P37N6M2	6	240	37	8	6
4S6F4P53N3M4	6	480	53	6	3
4S8F6P37N6M4	6	480	37	8	6
4S6F4P67N3M2	7.5	240	67	6	3
4S8F6P46N6M2	7.5	240	46	8	6
4S8F6P46N6M4	7.5	480	46	8	6
4S6F4P67N3M4	7.5	480	67	6	3
4S8F6P55N6M2	9	240	55	8	6
4S8F6P55N6M4	9	480	55	8	6
4S6F4P89N3M2	10	240	89	6	3
4S6F4P89N3M4	10	480	89	6	3
4S8F6P74N6M2	12	240	74	8	6
4S8F6P74N6M4	12	480	74	8	6
4S6F4P111N3M2	12.5	240	111	6	3
4S6F4P111N3M4	12.5	480	111	6	3
4S6F4P133N3M2	15	240	133	6	3
4S8F6P92N6M2	15	240	92	8	6
4S8F6P92N6M4	15	480	92	8	6
4S6F4P133N3M4	15	480	133	6	3
4S6F4P149N3M4	16.8	480	149	6	3
4S6F4P167N3M4	18.9	480	167	6	3
4S8F6P123N6M2	20	240	123	8	6
4S8F6P123N6M4	20	480	123	8	6
4S8F6P153N6M2	25	240	153	8	6
4S8F6P153N6M4	25	480	153	8	6
4S8F6P184N6M2	30	240	184	8	6
4S8F6P184N6M4	30	480	184	8	6
4S8F6P206N6M4	33.6	480	206	8	6
4S8F6P232N6M4	37.8	480	232	8	6

Electric Thermal Fluid Filled Heat Exchanger

WattDensity:

6

CatNmbr	KW	VoltsNo	Length	Diameter	Q_htrs
3S8F6P25N3M2	3	240	25	8	3
3S6F4P36N3M2	3	240	36	6	3
3S8F6P25N3M4	3	480	25	8	3
3S6F4P36N3M4	3	480	36	6	3
3S8F6P31N3M2	3.8	240	31	8	3
3S6F4P45N3M2	3.8	240	45	6	3
3S8F6P31N3M4	3.8	480	31	8	3
3S6F4P45N3M4	3.8	480	45	6	3
3S8F6P37N3M2	4.5	240	37	8	3
3S6F4P53N3M2	4.5	240	53	6	3
3S8F6P37N3M4	4.5	480	37	8	3
3S6F4P53N3M4	4.5	480	53	6	3
3S8F6P49N3M2	6	240	49	8	3
3S6F4P71N3M2	6	240	71	6	3
3S8F6P49N3M4	6	480	49	8	3
3S6F4P71N3M4	6	480	71	6	3
3S6F4P89N3M2	7.5	240	89	6	3
3S8F6P62N3M2	7.5	240	62	8	3
3S8F6P62N3M4	7.5	480	62	8	3
3S6F4P89N3M4	7.5	480	89	6	3
3S6F4P118N3M2	10	240	118	6	3
3S8F6P82N3M2	10	240	82	8	3
3S8F6P82N3M4	10	480	82	8	3
3S6F4P118N3M4	10	480	118	6	3
3S8F6P102N3M2	12.5	240	102	8	3
3S6F4P148N3M2	12.5	240	148	6	3
3S8F6P102N3M4	12.5	480	102	8	3
3S6F4P148N3M4	12.5	480	148	6	3
3S8F6P123N3M2	15	240	123	8	3
3S6F4P177N3M2	15	240	177	6	3
3S8F6P123N3M4	15	480	123	8	3
3S6F4P177N3M4	15	480	177	6	3
3S8F6P137N3M4	16.8	480	137	8	3
3S6F4P198N3M4	16.8	480	198	6	3
3S8F6P155N3M4	18.9	480	155	8	3
3S6F4P223N3M4	18.9	480	223	6	3

Electric Thermal Fluid Filled Heat Exchanger

WattDensity:

4

CatNmbr	KW	VoltsNo	Length	Diameter	Q_htrs
2S6F4P36N3H2	2	240	36	6	3
2S6F4P36N3H4	2	480	36	6	3
2S6F4P45N3H2	2.5	240	45	6	3
2S6F4P45N3H4	2.5	480	45	6	3
2S8F6P37N3M2	3	240	37	8	3
2S6F4P53N3H2	3	240	53	6	3
2S8F6P37N3M4	3	480	37	8	3
2S6F4P53N3H4	3	480	53	6	3
2S8F6P46N3M2	3.8	240	46	8	3
2S8F6P46N3M4	3.8	480	46	8	3
2S6F4P71N3H2	4	240	71	6	3
2S6F4P71N3H4	4	480	71	6	3
2S8F6P55N3M2	4.5	240	55	8	3
2S8F6P55N3M4	4.5	480	55	8	3
2S6F4P89N3H2	5	240	89	6	3
2S6F4P89N3H4	5	480	89	6	3
2S8F6P74N3M2	6	240	74	8	3
2S6F4P106N3H2	6	240	106	6	3
2S6F4P106N3H4	6	480	106	6	3
2S8F6P74N3M4	6	480	74	8	3
2S8F6P92N3M2	7.5	240	92	8	3
2S8F6P92N3M4	7.5	480	92	8	3
2S6F4P147N3H2	8.3	240	147	6	3
2S6F4P147N3H4	8.3	480	147	6	3
2S8F6P123N3M2	10	240	123	8	3
2S8F6P123N3M4	10	480	123	8	3
2S6F4P196N3H2	11.1	240	196	6	3
2S6F4P196N3H4	11.1	480	196	6	3
2S8F6P153N3M2	12.5	240	153	8	3
2S6F4P221N3H4	12.5	480	221	6	3
2S6F4P240N3H4	13.9	480	240	6	3
2S8F6P184N3M2	15	240	184	8	3
2S8F6P184N3M4	15	480	184	8	3
2S8F6P206N3M4	16.8	480	206	8	3
2S8F6P232N3M4	18.9	480	232	8	3

Control Panels

Type CP - Standard Contactor System

APPLICATIONS

Designed to fulfill the control requirements of most heating process heating applications where rugged reliable service with additional safety contactor backup protection is desired.

STANDARD FEATURES

Heavy gauge gasketed enclosure finished in grey acrylic resin with integral "Dead Front" switch, "Off-On" selector switch, "Power-On" pilot light, illuminated reset button, and digital indicating electronic temperature controller. Internally mounted components include circuit breaker with mechanism, control transformer with fused primary lines and fused/grounded secondary lines, mercury type control magnetic contactor(s) suitable for extended wear with frequent cycling, safety magnetic contactor(s), electronic over-temperature controller, fuses, and terminal strips.



ENCLOSURE OPTIONS

- NEMA XII** Gasketed enclosure suitable for most indoor industrial applications. Enclosure is finished with factory applied and baked acrylic resin.
- NEMA IV** Gasketed enclosure with stainless steel hardware suitable for most outdoor non-hazardous industrial applications. Enclosure is finished with factory applied and baked acrylic resin.
- NEMA VII** Aluminum Cast and machined enclosure rated for Hazardous Locations - Class 1, Group D, Div. 1 and 2. Contact Gaumer Company Inc. for other locations.

OTHER OPTIONS

- XL** Oversized Enclosure
- XXL** Double Oversized Enclosure
- XTIC** Additional Electronic Digital Temperature Control
- XOTC** Additional Over-Temperature Control Temp Range 0°F to 400(800)(1500)°F
- CR** Control Relay with one (1) set "Dry Contacts"
- MtrStr** Pushbutton Station, Pilot Lights, and Motor Starter
- Htr** Enclosure Heater with adjustable thermostat.
- UL** UL Listed

Control Panels

Type CP - Standard Contactor System

NEMA XII

Rated kW	Rated Volt	3Ph Amps	CirBrkr Size	No. of Circuits	Height (inches)	Width (inches)	Depth (inches)	Gaumer Catalog Number (Obsolete)	Gaumer Catalog Number
6	240	15	20	1	24	16	8	CP12-020-2-1C	CP12-15A-2-1C
12	480	15	20	1	24	16	8	CP12-020-4-1C	CP12-15A-4-1C
10	240	24	30	1	24	16	8	None	CP12-24A-2-1C
20	480	24	30	1	24	16	8	None	CP12-24A-4-1C
12	240	30	40	1	24	16	8	CP12-040-2-1C	CP12-32A-2-1C
25	480	30	40	1	24	16	8	CP12-040-4-1C	CP12-30A-4-1C
26	480	32	40	2	24	24	8	None	CP12-32A-4-2C
20	240	45	60	1	24	16	8	CP12-060-2-1C	CP12-48A-2-1C
40	480	48	60	1	24	16	8	CP12-060-4-1C	CP12-48A-4-1C
40	480	48	60	3	24	24	8	None	CP12-48A-4-3C
40	480	48	60	2	24	24	8	None	CP12-48A-4-2C
22	240	53	70	1	24	16	8	CP12-070-2-1C	CP12-53A-2-1C
44	480	53	70	1	24	16	8	CP12-070-4-1C	CP12-53A-4-1C
25	240	60	80	1	24	16	8	None	CP12-60A-2-1C
50	480	60	80	1	24	16	8	None	CP12-60A-4-1C
52	480	64	80	2	24	24	8	None	CP12-64A-4-2C
52	480	64	80	4	24	24	8	None	CP12-64A-4-4C
30	240	72	90	1	24	20	8	CP12-090-2-1C	CP12-72A-2-1C
60	480	72	90	3	24	24	8	None	CP12-72A-4-3C
60	480	72	90	1	24	20	8	CP12-090-4-1C	CP12-72A-4-1C
32	240	78	100	2	24	24	8	CP12-100-2-2C	CP12-77A-2-2C
65	480	80	100	5	36	30	8	None	CP12-80A-4-5C
65	480	80	100	2	24	24	8	CP12-100-4-2C	CP12-80A-4-2C
80	480	96	125	2	24	24	8	None	CP12-96A-4-2C
80	480	96	125	3	24	24	8	None	CP12-96A-4-3C
80	480	96	125	4	24	24	8	None	CP12-96A-4-4C
80	480	96	125	6	30	24	8	None	CP12-96A-4-6C
41	240	100	125	1	24	24	8	None	CP12-100A-2-1C
83	480	100	125	1	24	24	8	None	CP12-100A-4-1C
88	480	106	150	2	24	24	10	None	CP12-106A-4-2C
50	240	120	150	3	30	24	10	CP12-150-2-3C	CP12-120A-2-3C
100	480	120	175	2	24	24	10	None	CP12-120A-4-2C
100	480	120	150	5	36	30	10	None	CP12-120A-4-5C
100	480	120	150	3	30	24	10	CP12-150-4-3C	CP12-120A-4-3C
104	480	128	175	8	42	36	10	None	CP12-128A-4-8C
104	480	128	175	4	36	30	10	None	CP12-128A-4-4C
120	480	144	200	3	30	24	10	None	CP12-144A-4-3C
120	480	144	200	2	24	24	10	None	CP12-144A-4-2C
120	480	144	200	6	42	36	10	None	CP12-144A-4-6C
66	240	158	250	3	36	30	10	CP12-250-2-3C	CP12-159A-2-3C
130	480	160	200	10	60	36	12	None	CP12-160A-4-10C
130	480	160	200	5	42	36	10	None	CP12-160A-4-5C
130	480	160	250	3	36	30	10	CP12-250-4-3C	CP12-160A-4-3C
150	480	180	250	3	36	30	10	None	CP12-180A-4-3C
160	480	192	250	4	42	36	10	CP12-250-4-4C	CP12-192A-4-4C
160	480	192	250	6	60	36	10	None	CP12-192A-4-6C
160	480	192	250	8	60	36	10	None	CP12-192A-4-8C

Control Panels

Type CP - Standard Contactor System

NEMA XII

Rated kW	Rated Volt	3Ph Amps	CirBrkr Size	No. of Circuits	Height (inches)	Width (inches)	Depth (inches)	Gaumer Catalog Number (Obsolete)	Gaumer Catalog Number
160	480	192	250	12	60	48	12	None	CP12-192A-4-12C
166	480	200	250	2	30	24	10	None	CP12-200A-4-2C
180	480	216	300	4	42	36	10	None	CP12-216A-4-4C
180	480	216	300	3	42	36	10	None	CP12-216A-4-3C
200	480	240	350	4	42	36	10	None	CP12-240A-4-4C
200	480	240	300	10	60	36	10	None	CP12-240A-4-10C
200	480	240	300	5	42	36	10	None	CP12-240A-4-5C
208	480	256	350	16	60	48	12	None	CP12-256A-4-16C
208	480	256	350	8	60	36	12	None	CP12-256A-4-8C
220	480	265	350	5	60	36	12	None	CP12-265A-4-5C
240	480	288	400	6	60	36	12	None	CP12-288A-4-6C
240	480	288	400	4	42	36	10	None	CP12-288A-4-4C
240	480	288	400	12	60	48	12	None	CP12-288A-4-12C
250	480	300	400	3	42	36	10	None	CP12-300A-4-3C
250	480	300	400	5	60	36	12	None	CP12-300A-4-5C
260	480	320	400	10	60	48	12	None	CP12-320A-4-10C
260	480	320	400	20	84	72	16	None	CP12-320A-4-20C
260	480	320	400	6	60	36	12	CP12-400-4-6C	CP12-320A-4-6C
300	480	360	500	6	60	48	12	None	CP12-360A-4-6C
300	480	360	450	5	60	36	12	None	CP12-360A-4-5C
320	480	384	500	8	60	48	12	None	CP12-384A-4-8C
320	480	384	500	6	60	48	12	None	CP12-384A-4-16C
320	480	384	500	12	60	60	12	None	CP12-384A-4-12C
332	480	400	500	4	42	36	10	None	CP12-400A-4-4C
360	480	432	600	6	60	48	12	None	CP12-432A-4-6C
352	480	432	600	8	60	48	12	None	CP12-432A-4-8C
400	480	480	600	10	60	60	12	None	CP12-480A-4-10C
400	480	480	600	20	84	72	16	None	CP12-480A-4-20C
400	480	480	600	8	60	48	12	CP12-600-4-8C	CP12-480A-4-8C
415	480	500	650	16	84	72	16	None	CP12-512A-4-16C
415	480	500	650	5	60	48	12	None	CP12-500A-4-5C
440	480	530	700	10	60	60	12	None	CP12-530A-4-10C
480	480	576	800	12	72	72	12	None	CP12-576A-4-12C
480	480	576	800	8	60	60	12	None	CP12-576A-4-8C
500	480	600	800	10	60	60	12	None	CP12-600A-4-10C
500	480	600	800	6	60	48	12	None	CP12-600A-4-6C
530	480	640	800	10	60	60	12	CP12-800-4-10C	CP12-640A-4-10C
530	480	640	900	12	72	72	12	None	CP12-640A-4-12C
600	480	720	900	10	60	60	12	None	CP12-720A-4-10C
600	480	720	1000	12	72	72	12	None	CP12-720A-4-12C
640	480	768	1000	16	84	72	16	None	CP12-768A-4-16C
664	480	800	1000	8	60	60	12	None	CP12-800A-4-8C
704	480	864	1200	12	72	72	12	None	CP12-864A-4-12C
704	480	864	1200	16	84	72	12	None	CP12-864A-4-16C
800	480	960	1200	20	84	72	16	None	CP12-960A-4-20C
800	480	960	1200	16	84	72	16	None	CP12-960A-4-16C
800	480	1000	1200	10	60	60	12	None	CP12-1000A-4-10C

Control Panels

Type CP - Standard Contactor System

NEMA XII

Rated kW	Rated Volt	3Ph Amps	CirBrkr Size	No. of Circuits	Height (inches)	Width (inches)	Depth (inches)	Gaumer Catalog Number (Obsolete)	Gaumer Catalog Number
880	480	1060	1600	20	84	72	16	None	CP12-1060A-4-20C
960	480	1152	1600	16	84	72	16	None	CP12-1152A-4-16C
1000	480	1200	1600	12	72	72	12	None	CP12-1200A-4-12C
1000	480	1200	1600	20	84	72	16	None	CP12-1200A-4-20C
1064	480	1280	1600	20	84	72	16	None	CP12-1280A-4-20C
1200	480	1440	2000	20	84	72	16	None	CP12-1440A-4-20C
1328	480	1600	2000	16	84	72	16	None	CP12-1600A-4-16C
1660	480	2000	3200	20	84	72	16	None	CP12-2000A-4-20C

NEMA IV

Rated kW	Rated Volt	3Ph Amps	CirBrkr Size	No. of Circuits	Height (inches)	Width (inches)	Depth (inches)	Gaumer Catalog Number (Obsolete)	Gaumer Catalog Number
6	240	15	20	1	24	20	8	CP4-020-2-1C	CP4-15A-2-1C
12	480	15	20	1	24	20	8	CP4-020-4-1C	CP4-15A-4-1C
10	240	24	30	1	24	20	8	None	CP4-24A-2-1C
20	480	24	30	1	24	20	8	None	CP4-24A-4-1C
12	240	30	40	1	24	20	8	CP4-040-2-1C	CP4-32A-2-1C
25	480	30	40	1	24	20	8	CP4-040-4-1C	CP4-30A-4-1C
26	480	32	40	2	24	24	8	None	CP4-32A-4-2C
20	240	45	60	1	24	20	8	CP4-060-2-1C	CP4-48A-2-1C
40	480	48	60	2	24	24	8	None	CP4-48A-4-2C
40	480	48	60	1	24	20	8	CP4-060-4-1C	CP4-48A-4-1C
40	480	48	60	3	24	24	8	None	CP4-48A-4-3C
22	240	53	70	1	24	20	8	CP4-070-2-1C	CP4-53A-2-1C
44	480	53	70	1	24	20	8	CP4-070-4-1C	CP4-53A-4-1C
25	240	60	80	1	24	20	8	None	CP4-60A-2-1C
50	480	60	80	1	24	20	8	None	CP4-60A-4-1C
52	480	64	80	4	24	24	8	None	CP4-64A-4-4C
52	480	64	80	2	24	24	8	None	CP4-64A-4-2C
30	240	72	90	1	24	20	8	CP4-090-2-1C	CP4-72A-2-1C
60	480	72	90	1	24	20	8	CP4-090-4-1C	CP4-72A-4-1C
60	480	72	90	3	24	24	8	None	CP4-72A-4-3C
32	240	78	100	2	24	24	8	CP4-100-2-2C	CP4-77A-2-2C
65	480	80	100	2	24	24	8	CP4-100-4-2C	CP4-80A-4-2C
65	480	80	100	5	30	24	8	None	CP4-80A-4-5C
80	480	96	125	2	24	24	8	None	CP4-96A-4-2C
80	480	96	125	4	30	24	8	None	CP4-96A-4-4C
80	480	96	125	3	30	24	8	None	CP4-96A-4-3C
80	480	96	125	6	30	24	8	None	CP4-96A-4-6C
41	240	100	125	1	24	24	8	None	CP4-100A-2-1C
83	480	100	125	1	24	24	8	None	CP4-100A-4-1C
88	480	106	150	2	30	24	10	None	CP4-106A-4-2C
50	240	120	150	3	30	24	10	CP4-150-2-3C	CP4-120A-2-3C
100	480	120	150	5	36	30	10	None	CP4-120A-4-5C
100	480	120	150	3	30	24	10	CP4-150-4-3C	CP4-120A-4-3C
100	480	120	175	2	30	24	10	None	CP4-120A-4-2C

Control Panels

Type CP - Standard Contactor System

NEMA IV

Rated kW	Rated Volt	3Ph Amps	CirBrkr Size	No. of Circuits	Height (inches)	Width (inches)	Depth (inches)	Gaumer Catalog Number (Obsolete)	Gaumer Catalog Number
104	480	128	175	4	36	30	10	None	CP4-128A-4-4C
104	480	128	175	8	42	36	10	None	CP4-128A-4-8C
120	480	144	200	2	30	24	10	None	CP4-144A-4-2C
120	480	144	200	3	30	24	10	None	CP4-144A-4-3C
120	480	144	200	6	42	36	10	None	CP4-144A-4-6C
66	240	158	250	3	36	30	10	CP4-250-2-3C	CP4-159A-2-3C
130	480	160	250	3	36	30	10	CP4-250-4-3C	CP4-160A-4-3C
130	480	160	200	10	60	36	12	None	CP4-160A-4-10C
130	480	160	225	3	36	30	10	None	CP4-160A-4-3C
130	480	160	200	5	42	36	10	None	CP4-160A-4-5C
150	480	180	250	3	36	30	10	None	CP4-180A-4-3C
160	480	192	250	4	42	36	10	None	CP4-192A-4-4C
160	480	192	250	4	42	36	10	CP4-250-4-4C	CP4-192A-4-4C
160	480	192	250	12	60	48	12	None	CP4-192A-4-12C
160	480	192	250	8	60	36	10	None	CP4-192A-4-8C
160	480	192	250	6	60	36	10	None	CP4-192A-4-6C
166	480	200	250	2	30	24	10	None	CP4-200A-4-2C
180	480	216	300	3	42	36	10	None	CP4-216A-4-3C
180	480	216	300	4	42	36	10	None	CP4-216A-4-4C
200	480	240	300	10	60	36	10	None	CP4-240A-4-10C
200	480	240	300	5	60	36	12	None	CP4-240A-4-5C
200	480	240	350	4	42	36	10	None	CP4-240A-4-4C
208	480	256	350	16	60	60	12	None	CP4-256A-4-16C
208	480	256	350	8	60	48	12	None	CP4-256A-4-8C
220	480	265	350	5	60	36	12	None	CP4-265A-4-5C
240	480	288	400	4	42	36	10	None	CP4-288A-4-4C
240	480	288	400	12	60	48	12	None	CP4-288A-4-12C
240	480	288	400	6	60	36	12	None	CP4-288A-4-6C
250	480	300	400	3	42	36	10	None	CP4-300A-4-3C
250	480	300	400	5	60	36	12	None	CP4-300A-4-5C
260	480	320	400	20	84	72	16	None	CP4-320A-4-20C
260	480	320	400	10	60	48	12	None	CP4-320A-4-10C
260	480	320	400	6	60	36	12	CP4-400-4-6C	CP4-320A-4-6C
300	480	360	500	6	60	48	12	None	CP4-360A-4-6C
300	480	360	450	5	60	36	12	None	CP4-360A-4-5C
320	480	384	500	8	60	60	12	None	CP4-384A-4-8C
320	480	384	500	16	84	72	16	None	CP4-384A-4-16C
320	480	384	500	12	60	60	12	None	CP4-384A-4-12C
332	480	400	500	4	42	36	10	None	CP4-400A-4-4C
360	480	432	600	6	60	48	12	None	CP4-432A-4-6C
352	480	432	600	8	60	60	12	None	CP4-432A-4-8C
400	480	480	600	10	60	60	12	None	CP4-480A-4-10C
400	480	480	600	20	84	72	16	None	CP4-480A-4-20C
400	480	480	600	8	60	48	12	CP4-600-4-8C	CP4-480A-4-8C
415	480	500	650	16	84	72	16	None	CP4-512A-4-16C
415	480	500	650	5	60	48	12	None	CP4-500A-4-5C
440	480	530	700	10	60	60	12	None	CP4-530A-4-10C

Control Panels

Type CP - Standard Contactor System

NEMA IV

Rated kW	Rated Volt	3Ph Amps	CirBrkr Size	No. of Circuits	Height (inches)	Width (inches)	Depth (inches)	Gaumer Catalog Number (Obsolete)	Gaumer Catalog Number
480	480	576	800	12	72	72	12	None	CP4-576A-4-12C
480	480	576	800	8	60	60	12	None	CP4-576A-4-8C
500	480	600	800	10	60	60	12	None	CP4-600A-4-10C
500	480	600	800	6	60	48	12	None	CP4-600A-4-6C
530	480	640	900	12	72	72	12	None	CP4-640A-4-12C
530	480	640	800	10	60	60	12	CP4-800-4-10C	CP4-640A-4-10C
600	480	720	1000	12	72	72	12	None	CP4-720A-4-12C
600	480	720	900	10	60	60	12	None	CP4-720A-4-10C
640	480	768	1000	16	84	72	16	None	CP4-768A-4-16C
664	480	800	1000	8	60	60	12	None	CP4-800A-4-8C
704	480	864	1200	16	84	72	16	None	CP4-864A-4-16C
704	480	864	1200	12	72	72	16	None	CP4-864A-4-12C
800	480	960	1200	16	84	72	16	None	CP4-960A-4-16C
800	480	960	1200	20	84	72	16	None	CP4-960A-4-20C
800	480	1000	1200	10	60	60	12	None	CP4-1000A-4-10C
880	480	1060	1600	20	84	72	16	None	CP4-1060A-4-20C
960	480	1152	1600	16	84	72	16	None	CP4-1152A-4-16C
1000	480	1200	1600	20	84	72	16	None	CP4-1200A-4-20C
1000	480	1200	1600	12	72	72	12	None	CP4-1200A-4-12C
1064	480	1280	1600	20	84	72	16	None	CP4-1280A-4-20C
1200	480	1440	2000	20	84	72	16	None	CP4-1440A-4-20C
1328	480	1600	2000	16	84	72	16	None	CP4-1600A-4-16C
1660	480	2000	3200	20	84	72	16	None	CP4-2000A-4-20C

NEMA VII

Rated kW	Rated Volt	3Ph Amps	CirBrkr Size	No. of Circuits	Height (inches)	Width (inches)	Depth (inches)	Gaumer Catalog Number (Obsolete)	Gaumer Catalog Number
6	240	15	20	1	18	12	8	CP7-020-2-1C	CP7-15A-2-1C
12	480	15	20	1	18	12	8	CP7-020-4-1C	CP7-15A-4-1C
10	240	24	30	1				None	CP7-24A-2-1C
20	480	24	30	1				None	CP7-24A-4-1C
12	240	30	40	1	18	12	8	CP7-040-2-1C	CP7-32A-2-1C
25	480	30	40	1	18	12	8	CP7-040-4-1C	CP7-30A-4-1C
26	480	32	40	2				None	CP7-32A-4-2C
20	240	45	60	1	18	12	8	CP7-060-2-1C	CP7-48A-2-1C
40	480	48	60	3				None	CP7-48A-4-3C
40	480	48	60	1	18	12	8	CP7-060-4-1C	CP7-48A-4-1C
40	480	48	60	2				None	CP7-48A-4-2C
22	240	53	70	1	18	12	8	CP7-070-2-1C	CP7-53A-2-1C
44	480	53	70	1	18	12	8	CP7-070-4-1C	CP7-53A-4-1C
25	240	60	80	1				None	CP7-60A-2-1C
50	480	60	80	1				None	CP7-60A-4-1C
52	480	64	80	2				None	CP7-64A-4-2C
52	480	64	80	4				None	CP7-64A-4-4C
30	240	72	90	1	18	18	8	CP7-090-2-1C	CP7-72A-2-1C
60	480	72	90	3				None	CP7-72A-4-3C

Control Panels

Type CP - Standard Contactor System

NEMA VII

Rated kW	Rated Volt	3Ph Amps	CirBrkr Size	No. of Circuits	Height (inches)	Width (inches)	Depth (inches)	Gaumer Catalog Number (Obsolete)	Gaumer Catalog Number
60	480	72	90	1	18	18	8	CP7-090-4-1C	CP7-72A-4-1C
32	240	78	100	2	24	16	8	CP7-100-2-2C	CP7-77A-2-2C
65	480	80	100	2	24	16	8	CP7-100-4-2C	CP7-80A-4-2C
65	480	80	100	5				None	CP7-80A-4-5C
80	480	96	125	6				None	CP7-96A-4-6C
80	480	96	125	3				None	CP7-96A-4-3C
80	480	96	125	4				None	CP7-96A-4-4C
80	480	96	125	2				None	CP7-96A-4-2C
41	240	100	125	1				None	CP7-100A-2-1C
83	480	100	125	1				None	CP7-100A-4-1C
88	480	106	150	2				None	CP7-106A-4-2C
50	240	120	150	3	24	16	8	CP7-150-2-3C	CP7-120A-2-3C
100	480	120	150	3	24	16	8	CP7-150-4-3C	CP7-120A-4-3C
100	480	120	150	5				None	CP7-120A-4-5C
100	480	120	175	2				None	CP7-120A-4-2C
104	480	128	175	8				None	CP7-128A-4-8C
104	480	128	175	4				None	CP7-128A-4-4C
120	480	144	200	2				None	CP7-144A-4-2C
120	480	144	200	3				None	CP7-144A-4-3C
120	480	144	200	6				None	CP7-144A-4-6C
66	240	158	250	3	36	24	8	CP7-250-2-3C	CP7-159A-2-3C
130	480	160	225	3	24	16	8	None	CP7-160A-4-3C
130	480	160	225	3				None	CP7-160A-4-3C
130	480	160	200	10				None	CP7-160A-4-10C
130	480	160	200	5				None	CP7-160A-4-5C
150	480	180	250	3				None	CP7-180A-4-3C
160	480	192	250	4	36	24	8	CP7-250-4-4C	CP7-192A-4-4C
160	480	192	250	6				None	CP7-192A-4-6C
160	480	192	250	12				None	CP7-192A-4-12C
160	480	192	250	4				None	CP7-192A-4-4C
160	480	192	250	4				CP7-250-4-4C	CP7-192A-4-4C
160	480	192	250	8				None	CP7-192A-4-8C
166	480	200	250	2				None	CP7-200A-4-2C
180	480	216	300	4				None	CP7-216A-4-4C
180	480	216	300	3				None	CP7-216A-4-3C
200	480	240	300	10				None	CP7-240A-4-10C
200	480	240	350	4				None	CP7-240A-4-4C
200	480	240	300	5				None	CP7-240A-4-5C
208	480	256	350	16				None	CP7-256A-4-16C
208	480	256	350	8				None	CP7-256A-4-8C
220	480	265	350	5				None	CP7-265A-4-5C
240	480	288	400	12				None	CP7-288A-4-12C
240	480	288	400	4				None	CP7-288A-4-4C
240	480	288	400	6				None	CP7-288A-4-6C
250	480	300	400	5				None	CP7-300A-4-5C
250	480	300	400	3				None	CP7-300A-4-3C
260	480	320	400	20				None	CP7-320A-4-20C

Control Panels

Type CP - Standard Contactor System

NEMA VII

Rated kW	Rated Volt	3Ph Amps	CirBrkr Size	No. of Circuits	Height (inches)	Width (inches)	Depth (inches)	Gaumer Catalog Number (Obsolete)	Gaumer Catalog Number
260	480	320	400	10				None	CP7-320A-4-10C
280	480	336	400	6	(2)36	24	8	CP7-400-4-6C	CP7-320A-4-6C
300	480	360	450	5				None	CP7-360A-4-5C
300	480	360	500	6				None	CP7-360A-4-6C
320	480	384	500	12				None	CP7-384A-4-12C
320	480	384	500	16				None	CP7-384A-4-16C
320	480	384	500	8				None	CP7-384A-4-8C
332	480	400	500	4				None	CP7-400A-4-4C
360	480	432	600	6				None	CP7-432A-4-6C
352	480	432	600	8				None	CP7-432A-4-8C
400	480	480	600	20				None	CP7-480A-4-20C
400	480	480	600	8				None	CP7-480A-4-8C
400	480	480	600	10				None	CP7-480A-4-10C
415	480	500	650	5				None	CP7-500A-4-5C
415	480	500	650	16				None	CP7-512A-4-16C
440	480	530	700	10				None	CP7-530A-4-10C
480	480	576	800	12				None	CP7-576A-4-12C
480	480	576	800	8				None	CP7-576A-4-8C
500	480	600	800	6				None	CP7-600A-4-6C
500	480	600	800	10				None	CP7-600A-4-10C
530	480	640	900	12				None	CP7-640A-4-12C
530	480	640	800	10				None	CP7-640A-4-10C
600	480	720	1000	12				None	CP7-720A-4-12C
600	480	720	900	10				None	CP7-720A-4-10C
640	480	768	1000	16				None	CP7-768A-4-16C
664	480	800	1000	8				None	CP7-800A-4-8C
704	480	864	1200	12				None	CP7-864A-4-12C
704	480	864	1200	16				None	CP7-864A-4-16C
800	480	960	1200	16				None	CP7-960A-4-16C
800	480	960	1200	20				None	CP7-960A-4-20C
800	480	1000	1200	10				None	CP7-1000A-4-10C

Control Panels Standard Stepless SCR System

APPLICATIONS

Designed to fulfill the control requirements of most process heating applications where rugged reliable service with additional SCR backup protection is desired.

STANDARD FEATURES

Heavy gauge gasketed enclosure finished in grey acrylic resin with integral "Dead Front" switch, "Off-On" selector switch, "Power-On" pilot light, illuminated reset button, and digital indicating electronic temperature controller. Internally mounted components include circuit breaker with mechanism, control transformer with fused primary lines and fused/grounded secondary lines, "Zero Fire" type SCR assembly with external cooling, two leg SCR control, three pole safety magnetic contactor(s), electronic over-temperature controller, fuses, and terminal strips.



ENCLOSURE OPTIONS

- NEMA XII** Gasketed enclosure suitable for most indoor industrial applications. Enclosure is finished with factory applied and baked acrylic resin.
- NEMA IV** Gasketed enclosure with stainless steel hardware suitable for most outdoor non-hazardous industrial applications. Enclosure is finished with factory applied and baked acrylic resin.
- NEMA VII** Aluminum Cast and machined enclosure rated for Hazardous Locations - Class 1, Group D, Div. 1 and 2. Contact Gaumer Company Inc. for other locations.

OTHER OPTIONS

- XL** Oversized Enclosure
- XXL** Double Oversized Enclosure
- XTIC** Additional Electronic Digital Temperature Control
- XOTC** Additional Over-Temperature Control Temp Range 0°F to 400(800)(1500)°F
- CR** Control Relay with one (1) set "Dry Contacts"
- MtrStr** Pushbutton Station, Pilot Lights, and Motor Starter
- Htr** Enclosure Heater with adjustable thermostat.
- UL** UL Listed

Height (inches)* - Enclosure is mounted on 12 inch high legs (not included in dimensions noted above).

Control Panels

Standard Stepless SCR System

NEMA XII

Rated kW	Rated Volt	3Ph Amps	CirBrk Size	No. of Circuits	Height (inches)	Width (inches)	Depth (inches)	Gaumer Catalog Number
6	240	15	20	1	24	20	10	SCP12-25A-2-1C
12	480	15	20	1	24	20	10	SCP12-14A-4-1C
12	240	30	40	1	24	20	10	SCP12-29A-2-1C
25	480	30	40	1	24	20	10	SCP12-30A-4-1C
16	240	40	50	1	24	20	10	SCP12-39A-2-1C
33	480	40	50	1	24	20	10	SCP12-40A-4-1C
20	240	48	60	1	24	20	10	SCP12-48A-2-1C
40	480	48	60	1	24	20	10	SCP12-48A-4-1C
25	240	60	90	2	24	24	10	SCP12-60A-2-2C
50	480	60	90	2	24	24	10	SCP12-60A-4-2C
33	240	80	100	2	24	24	10	SCP12-80A-2-2C
66	480	80	100	2	24	24	10	SCP12-80A-4-2C
50	240	96	150	3	30	24	10	SCP12-120A-2-3C
40	240	96	150	2	24	24	10	SCP12-96A-2-2C
80	480	96	150	2	24	24	10	SCP12-96A-4-2C
100	480	120	150	3	30	24	10	SCP12-120A-4-3C
60	240	144	250	3	36	30	10	SCP12-144A-2-3C
120	480	144	250	3	36	30	10	SCP12-144A-4-3C
133	480	160	200	4	36	30	10	SCP12-160A-4-4C
160	480	192	250	4	36	30	10	SCP12-192A-4-4C
167	480	200	250	5	42	36	12	SCP12-200A-4-5C
200	480	240	300	6	42	36	12	SCP12-240A-4-6C
200	480	240	400	5	42	36	12	SCP12-241A-4-5C
233	480	280	350	7	42	36	12	SCP12-280A-4-7C
240	480	288	400	6	42	36	12	SCP12-289A-4-6C
267	480	320	400	8	60	36	16	SCP12-320A-4-8C
280	480	336	350	7	60	36	16	SCP12-336A-4-7C
320	480	384	600	8	60	36	16	SCP12-385A-4-8C
480	480	576	600	12	60	36	16	SCP12-577A-4-12C
600	480	720	800	15	72	60	16	SCP12-722A-4-15C

NEMA IV

Rated kW	Rated Volt	3Ph Amps	CirBrk Size	No. of Circuits	Height (inches)	Width (inches)	Depth (inches)	Gaumer Catalog Number
6	240	15	20	1	24	20	10	SCP4-25A-2-1C
12	480	15	20	1	24	20	10	SCP4-14A-4-1C
12	240	30	40	1	24	20	10	SCP4-29A-2-1C
25	480	30	40	1	24	20	10	SCP4-30A-4-1C
16	240	40	50	1	24	20	10	SCP4-39A-2-1C
33	480	40	50	1	24	20	10	SCP4-40A-4-1C
20	240	48	60	1	24	20	10	SCP4-48A-2-1C
40	480	48	60	1	24	20	10	SCP4-48A-4-1C
25	240	60	90	2	24	24	10	SCP4-60A-2-2C

Height (inches)* - Enclosure is mounted on 12 inch high legs (not included in dimensions noted above).

Control Panels

Standard Stepless SCR System

NEMA IV

Rated kW	Rated Volt	3Ph Amps	CirBrkt Size	No. of Circuits	Height (inches)	Width (inches)	Depth (inches)	Gaumer Catalog Number
50	480	60	90	2	24	24	10	SCP4-60A-4-2C
33	240	80	100	2	24	24	10	SCP4-80A-2-2C
66	480	80	100	2	24	24	10	SCP4-80A-4-2C
50	240	96	150	3	30	24	10	SCP4-120A-2-3C
40	240	96	150	2	24	24	10	SCP4-96A-2-2C
80	480	96	150	2	24	24	10	SCP4-96A-4-2C
100	480	120	150	3	30	24	10	SCP4-120A-4-3C
60	240	144	250	3	36	30	10	SCP4-144A-2-3C
120	480	144	250	3	36	30	10	SCP4-144A-4-3C
133	480	160	200	4	36	30	10	SCP4-160A-4-4C
160	480	192	250	4	36	30	10	SCP4-192A-4-4C
167	480	200	250	5	42	36	12	SCP4-200A-4-5C
200	480	240	400	5	42	36	12	SCP4-241A-4-5C
200	480	240	300	6	42	36	12	SCP4-240A-4-6C
233	480	280	350	7	42	36	12	SCP4-280A-4-7C
240	480	288	400	6	42	36	12	SCP4-289A-4-6C
267	480	320	400	8	60	36	16	SCP4-320A-4-8C
280	480	336	450	7	60	36	16	SCP4-336A-4-7C
320	480	384	600	8	60	36	16	SCP4-385A-4-8C
480	480	576	600	12	60	36	16	SCP4-577A-4-12C
600	480	720	800	15	72*	60	16	SCP4-722A-4-15C

NEMA VII

Rated kW	Rated Volt	3Ph Amps	CirBrkt Size	No. of Circuits	Height (inches)	Width (inches)	Depth (inches)	Gaumer Catalog Number
6	240	15	20	1	18	12	8	SCP7-25A-2-1C
12	480	15	20	1	18	12	8	SCP7-14A-4-1C
10	240	24	30	1	18	12	8	SCP7-24A-2-1C
20	480	24	30	1	18	12	8	SCP7-24A-4-1C
25	480	30	40	1	18	12	8	SCP7-30A-4-1C
15	240	36	50	2	1(18),1(12)	1(12),1(12)	8	SCP7-36A-2-2C
30	480	36	50	2	1(18),1(12)	1(12),1(12)	8	SCP7-36A-4-2C
25	240	60	90	3	1(18),1(14)	1(18),1(14)	8	SCP7-60A-2-3C
50	480	60	90	3	1(18),1(14)	1(18),1(14)	8	SCP7-60A-4-3C
50	480	60	90	2	1(18),1(12)	1(12),1(12)	8	SCP7-60A-4-2C
75	480	90	125	3	1(18),1(14)	1(18),1(14)	8	SCP7-90A-4-3C
40	240	96	150	4	1(24),2(12)	1(16), 2(12)	8	SCP7-96A-2-4C
80	480	96	150	4	1(24),2(12)	1(16),2(12)	8	SCP7-96A-4-4C
100	480	120	150	4	1(24),2(12)	1(16), 2(12)	8	SCP7-120A-4-4C

Height (inches)* - Enclosure is mounted on 12 inch high legs (not included in dimensions noted above).

Control Panels

Type ZPA with Shorted SCR Detection

APPLICATIONS

Designed to fulfill the control requirements of most heating process heating applications where rugged reliable service with additional SCR backup protection is desired.

STANDARD FEATURES

Heavy gauge gasketed enclosure finished in grey acrylic resin with integral "Dead Front" switch, "Off-On" selector switch, "Power-On" pilot light, illuminated reset button, and digital indicating electronic temperature controller. Internally mounted components include circuit breaker with mechanism, control transformer with fused primary lines and fused/grounded secondary lines, "Zero Fire" type SCR assembly with external cooling, three (3) leg SCR control, safety magnetic contactor(s), electronic over-temperature controller, fuses, and terminal strips.



ENCLOSURE OPTIONS

- NEMA XII** Gasketed enclosure suitable for most indoor industrial applications. Enclosure is finished with factory applied and baked acrylic resin.
- NEMA 4X** Gasketed enclosure suitable for most outdoor applications. "Z" purge and/or air conditioned units are available.
- XL** Oversized Enclosure
- XXL** Double Oversized Enclosure

OTHER OPTIONS

- XTIC** Additional Electronic Digital Temperature Control
- XOTC** Additional Over-Temperature Control Temp Range 0°F to 400(800)(1500)°F
- CR** Control Relay with one (1) set "Dry Contacts"
- MtrStr** Pushbutton Station, Pilot Lights, and Motor Starter
- Htr** Enclosure Heater with adjustable thermostat.
- UL** UL Listed

Control Panels

Type ZPA with Shorted SCR Detection

NOTES

Qty.CBrkrs * 2(800) and 1(400)

Qty.CBrkrs ** 2(1200) and 1(600)

Panel Size Schedule (Inches)			
Key	Height	Width	Depth
A	24	20	10
B	24	24	10
C	30	24	10
D	36	30	10
E	42	36	12
F	48	36	16
G	60	48	24
H	72	60	24
I	72	72	24
J	86	112	24

Panel Size *** (Contact Factory)

Rated kW	Rated Amps	Qty. CBrkrs	CBrkr Size	Qty. Module	Module Amps	Circuit Qty.	Circuit Amps	Panel Size	Gaumer Catalog Number
120	145	1	250	1	145	3	48	F	ZPA-145-3C
120	145	1	250	1	145	2	72	F	ZPA-145-2C
146	175	1	250	1	175	4	44	F	ZPA-175-4C
146	175	1	250	1	175	3	58	F	ZPA-175-3C
146	175	1	250	1	175	2	88	F	ZPA-175-2C
200	240	1	400	1	240	5	48	G	ZPA-240-5C
200	240	1	400	1	240	3	80	G	ZPA-240-3C
200	240	1	400	1	240	2	120	F	ZPA-240-2C
245	295	1	400	1	295	6	49	G	ZPA-295-6C
245	295	1	400	1	295	4	74	G	ZPA-295-4C
245	295	1	400	1	295	3	98	G	ZPA-295-3C
300	370	1	600	1	370	8	46	G	ZPA-370-8C
300	370	1	600	1	370	5	74	G	ZPA-370-5C
300	370	1	600	1	370	4	92	G	ZPA-370-4C
300	370	1	600	1	370	3	120	G	ZPA-370-3C
350	425	1	600	1	425	9	47	G	ZPA-425-9C
350	425	1	600	1	425	6	71	G	ZPA-425-6C
350	425	1	600	1	425	5	85	G	ZPA-425-5C
350	425	1	600	1	425	4	106	G	ZPA-425-4C

Rated kW	Rated Amps	Qty. CBrkrs	CBrkr Size	Qty. Module	Module Amps	Circuit Qty.	Circuit Amps	Panel Size	Gaumer Catalog Number
400	480	1	600	2	240	10	48	H	ZPA-480-10C
400	480	1	600	2	240	8	60	H	ZPA-480-8C
400	480	1	600	2	240	6	80	H	ZPA-480-6C
400	480	1	600	2	240	4	120	H	ZPA-480-4C
490	590	1	800	2	295	12	49	H	ZPA-590-12C
490	590	1	800	2	295	8	74	H	ZPA-590-8C
490	590	1	800	2	295	6	98	H	ZPA-590-6C

Control Panels

Type ZPA with Shorted SCR Detection

Rated kW	Rated Amps	Qty. CBrkr	CBrkr Size	Qty. Module	Module Amps	Circuit Qty.	Circuit Amps	Panel Size	Gaumer Catalog Number
600	740	1	1200	2	370	16	46	I	ZPA-740-16C
600	740	1	1200	2	370	10	74	I	ZPA-740-10C
600	740	1	1200	2	370	8	92	I	ZPA-740-8C
600	740	1	1200	2	370	6	120	I	ZPA-740-6C
700	850	1	1200	2	425	18	47	I	ZPA-850-18C
700	850	1	1200	2	425	12	71	I	ZPA-850-12C
700	850	1	1200	2	425	10	85	I	ZPA-850-10C
700	850	1	1200	2	425	8	106	I	ZPA-850-8C

Rated kW	Rated Amps	Qty. CBrkr	CBrkr Size	Qty. Module	Module Amps	Circuit Qty.	Circuit Amps	Panel Size	Gaumer Catalog Number
735	885	1	1200	3	295	18	49	J	ZPA-885-18C
735	885	1	1200	3	295	12	74	J	ZPA-885-12C
735	885	1	1200	3	295	9	98	J	ZPA-885-9C
900	1110	1	1600	3	370	24	46	***	ZPA-1110-24C
900	1110	1	1600	3	370	15	74	***	ZPA-1110-15C
900	1110	1	1600	3	370	12	92	***	ZPA-1110-12C
900	1110	1	1600	3	370	9	120	***	ZPA-1110-9C
1050	1275	1	1600	3	425	27	47	***	ZPA-1275-27C
1050	1275	1	1600	3	425	18	71	***	ZPA-1275-18C
1050	1275	1	1600	3	425	15	85	***	ZPA-1275-15C
1050	1275	1	1600	3	425	12	106	***	ZPA-1275-12C

Rated kW	Rated Amps	Qty. CBrkr	CBrkr Size	Qty. Module	Module Amps	Circuit Qty.	Circuit Amps	Panel Size	Gaumer Catalog Number
980	1180	1	1600	4	295	24	49	***	ZPA-1180-24C
980	1180	1	1600	4	295	16	74	***	ZPA-1180-16C
980	1180	1	1600	4	295	12	98	***	ZPA-1180-12C
1200	1480	2	1200	4	370	32	46	***	ZPA-1480-32C
1200	1480	2	1200	4	370	20	74	***	ZPA-1480-20C
1200	1480	2	1200	4	370	16	92	***	ZPA-1480-16C
1200	1480	2	1200	4	370	12	120	***	ZPA-1480-12C
1400	1700	2	1200	4	425	36	47	***	ZPA-1700-36C
1400	1700	2	1200	4	425	24	71	***	ZPA-1700-24C
1400	1700	2	1200	4	425	20	85	***	ZPA-1700-20C
1400	1700	2	1200	4	425	16	106	***	ZPA-1700-16C

Rated kW	Rated Amps	Qty. CBrkr	CBrkr Size	Qty. Module	Module Amps	Circuit Qty.	Circuit Amps	Panel Size	Gaumer Catalog Number
1225	1475	2	*	5	295	30	49	***	ZPA-1475-30C
1225	1475	2	*	5	295	20	74	***	ZPA-1475-20C
1225	1475	2	*	5	295	15	98	***	ZPA-1475-15C
1500	1850	3	**	5	370	40	46	***	ZPA-1850-40C
1500	1850	3	**	5	370	25	74	***	ZPA-1850-25C
1500	1850	3	**	5	370	20	92	***	ZPA-1850-20C
1500	1850	3	**	5	370	15	120	***	ZPA-1850-15C
1750	2125	3	**	5	425	45	47	***	ZPA-2125-45C
1750	2125	3	**	5	425	30	71	***	ZPA-2125-30C

Control Panels

Type ZPA with Shorted SCR Detection

Rated kW	Rated Amps	Qty. CBrkr	CBrkr Size	Qty. Module	Module Amps	Circuit Qty.	Circuit Amps	Panel Size	Gaumer Catalog Number
1750	2125	3	**	5	425	25	85	***	ZPA-2125-25C
1750	2125	3	**	5	425	20	106	***	ZPA-2125-20C

Rated kW	Rated Amps	Qty. CBrkr	CBrkr Size	Qty. Module	Module Amps	Circuit Qty.	Circuit Amps	Panel Size	Gaumer Catalog Number
1470	1770	2	1200	6	295	36	49	***	ZPA-1770-36C
1470	1770	2	1200	6	295	24	80	***	ZPA-1770-24C
1470	1770	2	1200	6	295	18	98	***	ZPA-1770-18C
1800	2220	2	1600	6	370	48	46	***	ZPA-2220-48C
1800	2220	2	1600	6	370	30	74	***	ZPA-2220-30C
1800	2220	2	1600	6	370	24	92	***	ZPA-2220-24C
1800	2220	2	1600	6	370	18	120	***	ZPA-2220-18C
2100	2550	2	1600	6	425	54	47	***	ZPA-2550-54C
2100	2550	2	1600	6	425	36	71	***	ZPA-2550-36C
2100	2550	2	1600	6	425	30	85	***	ZPA-2550-30C
2100	2550	2	1600	6	425	24	106	***	ZPA-2550-24C

Fenwal Electronic Controls Series 543 - Analog Non-Indicating Type

APPLICATIONS

Fenwal has offered this rugged analog type electronic non-indicating temperature control for many years. It is still in demand for replacement purposes of older equipment initially designed with this control.

STANDARD FEATURES

The temperature adjustment procedure is very simple to understand as is the set up procedure. The Manual Reset model features a latching relay that is fail-safe and does not need to be reset after a power interruption.



Fenwal Catalog Number	Temperature Range	TC Type	Control Output	Control Size	Wt. (lbs.)
54-301121-102	0-400F	J	On/Off	Case, Surface Mounting	2.0
54-301121-103	0-800F	J	On/Off	Case, Surface Mounting	2.0
54-301121-104	0-1000F	J	On/Off	Case, Surface Mounting	2.0
54-301121-106	0-2000F	K	On/Off	Case, Surface Mounting	2.0
54-302121-103	0-800F	J	High-Limit	Case, with Manual Reset	2.0
54-302121-106	0-2000F	K	High-Limit	Case, with Manual Reset	2.0
54-303121-102	0-400F	J	Proportional	Case, Surface Mounting	2.0
54-303121-103	0-800F	J	Proportional	Case, Surface Mounting	2.0
54-303121-106	0-2000F	K	Proportional	Case, Surface Mounting	2.0
54-303123-102	0-400F	J	Proportional	Case, Surface Mounting	2.0
54-303221-102	0-400F	J	Proportional	Case, Surface Mounting	2.0
54-401653-102	0-400F	J	On/Off	No Case	2.0
54-401653-103	0-800F	J	On/Off	No Case	2.0
54-401821-302	0-400F(200C)	J	On/Off	No Case	2.0
54-401821-303	0-800F(400C)	J	On/Off	No Case	2.0

Fenwal Electronic Controls

Series 550 - Analog Indicating Type

Limited to Stock on Hand

APPLICATIONS

Fenwal has offered this analog type electronic indicating temperature control for many years. It is still in demand for replacement purposes of older equipment initially designed with this control.

STANDARD FEATURES

The full scale temperature indication is very simple to read and understand as is the set up procedure. All adjustments are thru the front cover.



Fenwal Catalog Number	Temperature Range	TC Type	Control Output	Control Size	Wt. (lbs.)
55-001140-302	0-400F(200C)	J	On/Off	1/4 DIN - 5-1/2" Deep	2.0
55-001140-303	0-800F(400C)	J	On/Off	1/4 DIN - 5-1/2" Deep	2.0
55-001140-306	0-2000F(1000C)	K	On/Off	1/4 DIN - 5-1/2" Deep	2.0
55-001140-308	0-1200F(1000C)	J	On/Off	1/4 DIN - 5-1/2" Deep	2.0
55-001440-306	0-2000F(1000C)	K	On/Off	1/4 DIN - 5-1/2" Deep	2.0
55-002140-303	0-800F(400C)	J	3-32V DC	1/4 DIN - 5-1/2" Deep	2.0
55-002140-308	0-1200F(1000C)	J	3-32V DC	1/4 DIN - 5-1/2" Deep	2.0
55-002140-306	0-2000F(1000C)	K	3-32V DC	1/4 DIN - 5-1/2" Deep	2.0
55-003140-302	0-400F(200C)	J	Proportional	1/4 DIN - 5-1/2" Deep	2.0
55-003140-303	0-800F(400C)	J	Proportional	1/4 DIN - 5-1/2" Deep	2.0
55-003140-308	0-1200F(1000C)	J	Proportional	1/4 DIN - 5-1/2" Deep	2.0
55-003140-306	0-2000F(1000C)	K	Proportional	1/4 DIN - 5-1/2" Deep	2.0
55-003240-302	0-400F(200C)	J	4-20 ma	1/4 DIN - 5-1/2" Deep	2.0
55-003240-303	0-800F(400C)	J	4-20 ma	1/4 DIN - 5-1/2" Deep	2.0
55-003540-302	0-400F(200C)	J	4-20 ma	1/4 DIN - 5-1/2" Deep	2.0
55-023140-303	0-800F(400C)	J	Prop - On/Off	1/4 DIN - 5-1/2" Deep	2.0

Fenwal Electronic Controls

Series 921G, 922G, 923 - Digital Indicating

APPLICATIONS

Fenwal offers digital electronic temperature controls including the newest of features such as "Auto-tune", overshoot suppression, dual digital displays, and field configurable inputs and outputs. Units are UL Listed and available in all popular sizes.

STANDARD FEATURES

Auto-Tune automatically adjusts the PID parameters to optimize control and Overshoot Suppression eliminates initial overshoot thru a fuzzy logic algorithm built into the control. Multiple inputs and outputs makes altering of process in the field an easy undertaking.



OPTIONS

NEMA 4X Cover and gasket. Some models offer optional additional output relays, alarm relays, and RS-485 Communications.

Fenwal Catalog Number	Features	Input	Output	Size	Wt. (lbs.)
92-311100-100	None	TC - J, K	Relay	1/16 DIN	1.0
92-311111-100	Alarm1, 2	TC - J, K	Relay	1/16 DIN	1.0
92-311300-100	None	TC - J, K	Current	1/16 DIN	1.0
92-311311-100	Alarm1, 2	TC - J, K	Current	1/16 DIN	1.0
92-311113-100	Alarm1, Heater Break	TC - J, K	Relay	1/16 DIN	1.0
92-311200-100	None	TC - J, K	DC Output	1/16 DIN	1.0
92-211110-100	Alarm1, 2, 3	Universal	Heat	1/8 DIN	2.0
92-111110-100	Alarm1, 2, 3	Universal	Heat	1/4 DIN	2.0
92-1G12120-100	Alarm1, 2, 3	Universal	Heat	1/4 DIN	1.6
92-1G12220-100	Alarm1, 2	Universal	Heat/Cool	1/4 DIN	1.6
92-2G12120-100	Alarm1, 2, 3	Universal	Heat	1/8 DIN	1.3
92-316110-301	Alarm1	TC - J, K	Relay	1/16 DIN	0.7

Fenwal Thermostats

Series 400 - Bulb and Capillary Type

APPLICATIONS

The Series 400 Indicating Temperature Controller is used in many industrial applications where both ruggedness and accurate temperature control are required. Typical applications include plastic molding, heat transfer systems, paint drying equipment, film processing, packaging machine, parts washers, convection ovens, sterilizing equipment and smoke houses.

STANDARD FEATURES

A large 5-1/2 inch wide temperature scales reads in both Fahrenheit and Centigrade. The actuator which is designed to be rugged, is field replaceable and can be adjusted to 1% accuracy calibration.

OPTIONS

Four (4) bulb styles are available for each of the standard controllers. Dual switch models with traveling set points are available.



Fenwal Catalog No.	Item	Temp. Scale	Control Descr.	Bulb Code	Bulb Dim DxL	Capillary (ft.)	Wt.
40-100014-025	Actuator	50-400F	NA	A	.375"D x 3.201"L	10' SS	0.8
40-100014-024	Actuator	50-300F	NA	A	.375"D x 4.400"L	10' SS	0.8
40-100014-016	Actuator	50-700F	NA	A	.375"D x 1.872"L	10' SS	0.8
40-100010-029	Actuator	50-500F	NA	A	.375"D x 2.552"L	6' SS	0.8
40-100010-025	Actuator	50-400F	NA	A	.375"D x 3.201"L	6' SS	0.8
40-100010-024	Actuator	50-300F	NA	A	.375"D x 4.400"L	6' SS	0.8
40-100010-016	Actuator	50-700F	NA	A	.375"D x 1.872"L	6' SS	0.8
40-100010-008	Actuator	(-30)-170F	NA	A	.375"D x 4.920"L	6' SS	0.8
40-100010-003	Actuator	50-200F	NA	A	.375"D x 5.865"L	6' SS	0.8
40-100010-002	Actuator	(-20)-120F	NA	A	.375"D x 6.985"L	6' SS	0.8
40-100010-001	Actuator	50-200F	NA	A	.375"D x 2.807"L	6' SS	0.8
40-100015-016	Actuator	50-700F	NA	B	.250"D x 3.661"L	10' SS	0.8
40-100011-024	Actuator	50-300F	NA	B	.250"D x 9.276"L	6' SS	0.8
40-100011-016	Actuator	50-700F	NA	B	.250"D x 3.661"L	6' SS	0.8

Fenwal Thermostats

Series 400 - Bulb and Capillary Type

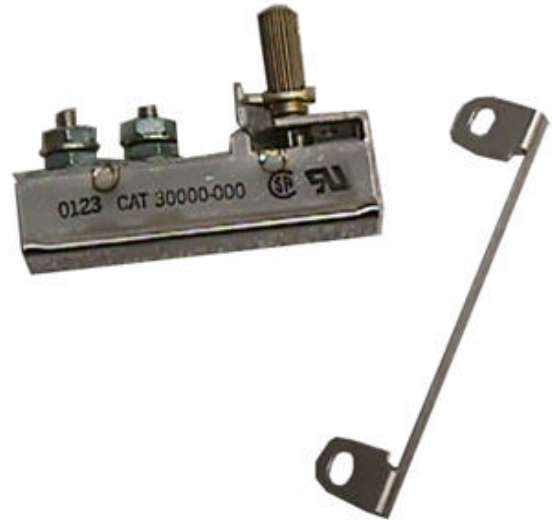
Fenwal Catalog No.	Item	Temp. Scale	Control Descr.	Bulb Code	Bulb Dim DxL	Capillary (ft.)	Wt.
40-100016-002	Actuator	(-20)-120F	NA	C	.093"D x 18.50"L	10' SS	0.8
40-100012-016	Actuator	50-700F	NA	C	.093"D x 5.223"L	6' SS	0.8
40-704000-424	Controller	50-300F	2 Circuits	N	NA	NA	5.6
40-704000-402	Controller	(-20)-120F	2 Circuits	N	NA	NA	5.6
40-702000-429	Controller	50-500F	1 Circuit	N	NA	NA	5.6
40-702000-425	Controller	50-400F	1 Circuit	N	NA	NA	5.6
40-702000-424	Controller	50-300F	1 Circuit	N	NA	NA	5.6
40-702010-408	Controller	(-30)-170F	1 Circuit	N	NA	NA	5.6
40-702000-403	Controller	50-200F	1 Circuit	N	NA	NA	4.8
40-702000-402	Controller	(-20)-120F	1 Circuit	N	NA	NA	4.8

Fenwal Thermostats

Series 30000 Surface Mounting Type

APPLICATIONS

The Series 30000 surface mounting non-indicating temperature controller will sense temperature directly from its base plate contact when mounted firmly on a heated surface. Typical applications include instrument control cabinets, platens, plastic laminating presses, vending machines, and overheat limit protection.



STANDARD FEATURES

Single pole single throw (SPST) slow make slow break contacts, stainless steel case and cover, aluminum "C Shape" mounting clamp, and adjustable set point.

OPTIONS

(Mod. 52) Gaumer calibrated temperature setting.

(Mod. 55) Gaumer installed locking device.

Catalog Number	Temperature Range	Max.Amps 120VAC	Max.Amps 240VAC	Contact Action on Temp.Rise	Weight (lbs.)
30000-0	50-300F	10A	5A	Open	0.2
30000-48	85-250F	10A	5A	Open	0.2
30002-0	50-600F	10A	5A	Open	0.2

Explosion Proof Thermowell Assembly Type TS with Fenwal Thermoswitch

APPLICATIONS

TS-ER thermostat is designed for use in hazardous locations (Class 1, Group D; Class 2, Groups E, F, and G).

STANDARD FEATURES

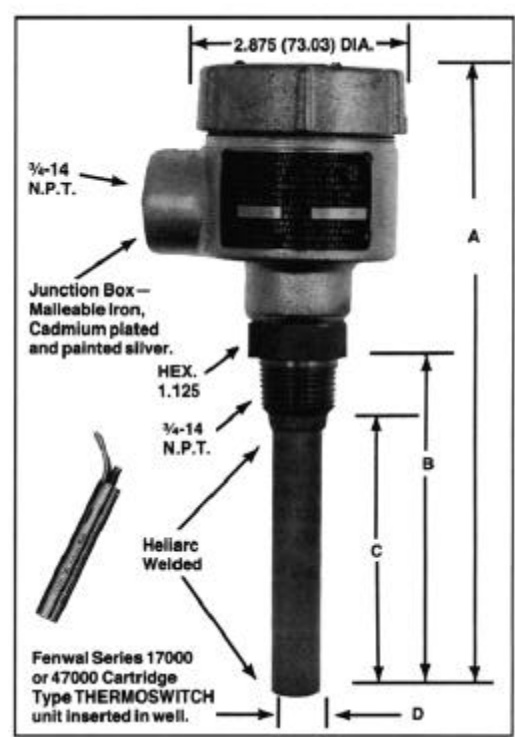
A Fenwal Thermoswitch is inserted into a bar stock type 304 St.Stl. thermowell. The thermowell has a pressure rating of 3000 psi at 600° F. The explosion proof junction box has a corrosion resistant fused coating.

OPTIONS

Gaumer calibrated temperature set point with installed lock down accessory.

DIMENSIONS (Refer to photo)

A = 8.00 +/- 0.25 in
 B = 4.28 +/- 0.06 in
 C = 3.56 +/- 0.03 in
 D = 0.656 +/- 0.004 in



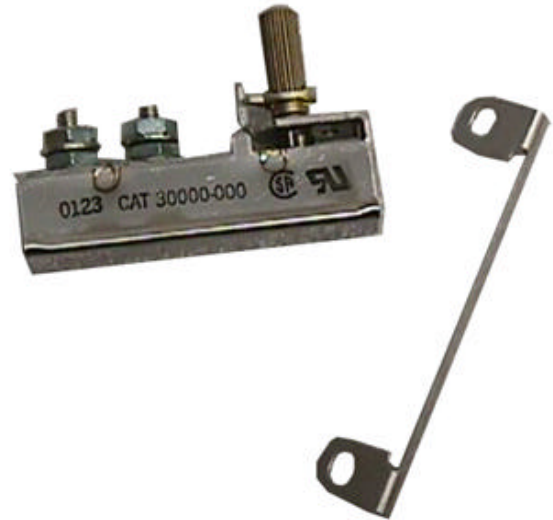
Catalog Number	Diam (In.)	Length (Inches)	Sheath Material	Contact Action on Temp Rise	Features	Wt. (lbs.)
TSLO-ER	0.781	4.250	Brass	Opens	304SS Thermowell 3/4NPT	2.0
TSLC-ER	0.781	4.250	Brass	Closes	304SS Thermowell 3/4NPT	2.0
TSHO-ER	0.781	4.250	St.Steel	Opens	304SS Thermowell 3/4NPT	2.0
TSHC-ER	0.781	4.250	St.Steel	Closes	304SS Thermowell 3/4NPT	2.0

Fenwal Thermostats

Series 30000 Surface Mounting Type

APPLICATIONS

The Series 30000 surface mounting non-indicating temperature controller will sense temperature directly from its base plate contact when mounted firmly on a heated surface. Typical applications include instrument control cabinets, platens, plastic laminating presses, vending machines, and overheat limit protection.



STANDARD FEATURES

Single pole single throw (SPST) slow make slow break contacts, stainless steel case and cover, aluminum "C Shape" mounting clamp, and adjustable set point.

OPTIONS

(Mod. 52) Gaumer calibrated temperature setting.

(Mod. 55) Gaumer installed locking device.

Catalog Number	Temperature Range	Max.Amps 120VAC	Max.Amps 240VAC	Contact Action on Temp.Rise	Weight (lbs.)
30000-0	50-300F	10A	5A	Open	0.2
30000-48	85-250F	10A	5A	Open	0.2
30002-0	50-600F	10A	5A	Open	0.2

Fenwal Heat Detectors

Series 27000 Detect-A-Fire

APPLICATIONS

For fire protection for schools, factories, office buildings, warehouses, libraries, etc. Also for specific applications such as paint spray booths and range hoods.

STANDARD FEATURES

These devices are known for their durability as well as their accuracy and repeatability when tested. Units are considered economical but at the same time display quality features such as the use of a hermetically sealed stainless steel chamber with the temperature preset at the factory prior to installation of the seal.

LISTINGS

Fenwal DETECT-A-FIRE units are UL and CUL listed and FM approved as fire detection thermostats (close on temperature rise) and as releasing devices (open on temperature rise).



Catalog Number	Diameter Inches	Length Inches	Shell Mat. Head Mat.	Contact Action on Temp Rise	Features	Weight lbs.
27120-0-190	0.625	4.94	St.Stl-Brass	Opens	1/2-14NPT Hex Head	0.4
27021-0	5.0	1.2	St.Stl-Steel	Closes	Horizontal Mount	0.7
27121-0-140	0.625	4.94	St.Stl-Brass	Closes	1/2-14NPT Hex Head	0.4
27121-0-160	0.625	4.94	St.Stl-Brass	Closes	1/2-14NPT Hex Head	0.4
27121-0-190	0.625	4.94	St.Stl-Brass	Closes	1/2-14NPT Hex Head	0.4
27121-0-225	0.625	4.94	St.Stl-Brass	Closes	1/2-14NPT Hex Head	0.4
27121-0-275	0.625	4.94	St.Stl-Brass	Closes	1/2-14NPT Hex Head	0.4
27121-0-325	0.625	4.94	St.Stl-Brass	Closes	1/2-14NPT Hex Head	0.4
27121-0-450	0.625	4.94	St.Stl-Brass	Closes	1/2-14NPT Hex Head	0.4
27121-0-600	0.625	4.94	St.Stl-Brass	Closes	1/2-14NPT Hex Head	0.4
28021-5-160	0.625	5.72	St.Stl-St.Stl.	Closes	1/2-14NPT Cplg Head	0.4
28021-5-450	0.625	5.72	St.Stl-St.Stl.	Closes	1/2-14NPT Cplg Head	0.4
27121-20-225	0.625	4.94	St.Stl-St.Stl.	Closes	1/2-14NPT Hex Head	0.4
27020-0	5.0	1.2	St.Stl-Steel	Opens	Horizontal Mount	0.4
27020-001	5.0	2.0	St.Stl-Steel	Opens	Horizontal Mount	0.4
27021-001	0.625	2.0	St.Stl-Steel	Closes	Horizontal Mount	0.4
27120-0	0.625	4.94	St.Stl-Brass	Opens	1/2-14NPT Hex Head	0.4
27120-022	0.625	4.94	St.Stl-Brass	Opens	1/2-14NPT Hex Head	0.4

Fenwal Heat Detectors

Series 27000 Detect-A-Fire

Catalog Number	Diameter (Inches)	Length (Inches)	Shell Mat. Head Mat.	ContactAction on TempRise	Features	Weight (lbs.)
27121-020	0.625	4.94	St.Stl-St.Stl.	Closes	1/2-14NPT Hex Head	0.4
28020-003	0.625	5.72	St.Stl-St.Stl.	Opens	1/2-14NPT Cplg Head	0.4
28021-0	0.625	5.72	St.Stl-Brass	Closes	1/2-14NPT Cplg Head	0.4
28021-005	0.625	5.72	St.Stl-St.Stl.	Closes	1/2-14NPT Cplg Head	0.4

Gaumer Electronic Controls Series MC2, Fuzzy Logic, Digital Indicating

APPLICATIONS

The MC2 Series Controller with Fuzzy Logic can be used as a replacement for most electronic controllers in service today. This controller is suitable for applications requiring accurate temperature control, especially where conditions such as flow and/or heat loss may change rapidly. Configurable in the field to a wide range of inputs, the control offers a lot of versatility.

STANDARD FEATURES

The MC2 Series digital electronic temperature control features a fuzzy logic algorithm which automatically tunes the PID (Proportional, Integral, Derivative) at startup. This eliminates a time consuming and complicated task previously required. Once on line, Fuzzy Logic is available to correct any upset process conditions which may develop and return the process to accurate temperature control.



* Includes second output for Cooling (Relay Output) and also re-transmission.

Gaumer Catalog Number	Features	Input	Output	Size	Wt. (lbs.)
MC-2838-101-00	1 Alarm	TC, RTD, DCV, Dcma	Relay	1/4 DIN	1.0
MC-2838-201-00	1 Alarm	TC, RTD, DCV, Dcma	SSR DC	1/4 DIN	1.0
MC-2838-301-00	1 Alarm	TC, RTD, DCV, Dcma	4-20 ma	1/4 DIN	1.0
MC-2838-202-00	2 Alarms	TC, RTD, DCV, Dcma	SSR DC	1/4 DIN	1.0
MC-2838-302-00	2 Alarms	TC, RTD, DCV, Dcma	4-20 ma	1/4 DIN	1.0
MC-2838-203-00	3 Alarms	TC, RTD, DCV, Dcma	SSR DC	1/4 DIN	1.0
MC-2838-303-00	3 Alarms	TC, RTD, DCV, Dcma	4-20 ma	1/4 DIN	1.0
MC-2838-333-11*	2 Alarms	TC, RTD, DCV, Dcma	4-20 ma	1/4 DIN	1.0
MC-2538-101-00	1 Alarm	TC, RTD, DCV, Dcma	Relay	1/8 DIN	0.8
MC-2538-201-00	1 Alarm	TC, RTD, DCV, Dcma	SSR DC	1/8 DIN	0.8
MC-2538-301-00	1 Alarm	TC, RTD, DCV, Dcma	4-20 ma	1/8 DIN	0.8
MC-2438-101-00	1 Alarm	TC, RTD, DCV, Dcma	Relay	1/16 DIN	0.6
MC-2438-201-00	1 Alarm	TC, RTD, DCV, Dcma	SSR DC	1/16 DIN	0.6
MC-2438-301-00	1 Alarm	TC, RTD, DCV, Dcma	4-20 ma	1/16 DIN	0.6

Gaumer Electronic Controls

Series MC4, Analog \ Non-Indicating, Digital \ Indicating

APPLICATIONS

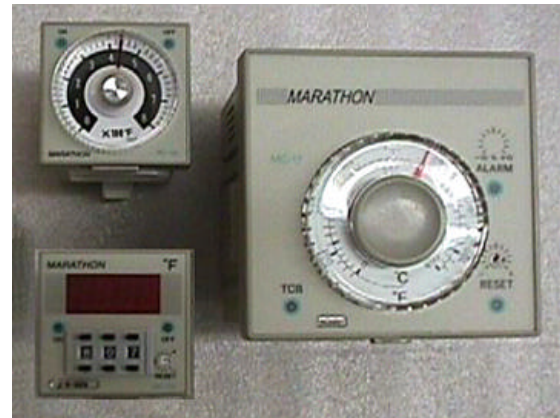
The MC4 Series Controllers can be used as replacements for most electronic controllers in service today. These controllers are suitable for applications requiring accurate temperature control but must be acquired at very low cost.

STANDARD FEATURES

The MC4 Series electronic temperature controls include as standard those features most desired in a temperature control.

The 4832 Series with its thumbwheel setpoint offers excellent repeatability where various temperatures are required. The digital display is normally found only in controls costing much more. The 4501 and 1701 Series include specifications of controls costing much more and are available in from stock.

The 4501 and 1701 Series include specifications of controls costing much more and are available in from stock.



Gaumer Catalog No.	Features	Input	Output	Size	Description	Wt. (lbs.)
MC-4832-11J	0-999F	J TC	Relay	1/16 DIN	Digital, Indicating	0.6
MC-4832-21J	0-999F	J TC	SSR DC	1/16 DIN	Digital, Indicating	0.6
MC-4501-11J	0-800F(0-400C)	J TC	Relay	1/16 DIN	Analog, Non-Indicating	0.6
MC-4501-21J	0-800F(0-400C)	J TC	SSR DC	1/16 DIN	Analog, Non-Indicating	0.6
MC-1701-11J	0-800F(0-400C)	J TC	Relay	1/4 DIN	Analog, Non-Indicating	1.0
MC-1701-21J	0-800F(0-400C)	J TC	SSR DC	1/4 DIN	Analog, Non-Indicating	1.0

Thermostats

Type GT (Type-GTP) Thermostats

APPLICATIONS

Suitable for controlling temperature in many electric heat applications including those for gases, liquids, and solids. Typical applications include ovens, water baths, and molding machines.

STANDARD FEATURES

Heavy duty electric thermostat with double pole, single throw contacts which open on temperature rise. Assembly is rated to 25 amperes and to 277 Volts AC. The capillary is 3/32 inches in diameter and six (6) feet long. The mechanical snap action reacts to a small movement of the diaphragm giving close temperature control. Housings for different environments are available as noted in table below. General Purpose Enclosure model is available with Pilot Light and also with Manual Reset.



Catalog Number	Temperature Range	Max.Amps @ 277V	Bulb Size	Enclosure Type	Special Features	Weight (lbs.)
GT-104	0-100F	25	7-3/8"	General Purpose	none	2
GT-254	50-250F	25	5-1/2"	General Purpose	none	2
GT-554	150-550F	25	5-3/4"	General Purpose	none	2
GT-104P	0-100F	25	7-3/8"	General Purpose	Pilot Light	2
GT-254P	50-250F	25	5-1/2"	General Purpose	Pilot Light	2
GT-554P	150-550F	25	5-3/4"	General Purpose	Pilot Light	2
GT-104LT	0-100F	25	7-3/8"	Moisture Resistant	none	4
GT-254LT	50-250F	25	5-1/2"	Moisture Resistant	none	3
GT-554LT	150-550F	25	5-3/4"	Moisture Resistant	none	3
GT-104ER	0-100F	25	7-3/8"	Explosion Resistant	none	3
GT-254ER	50-250F	25	5-1/2"	Explosion Resistant	none	3
GT-554ER	150-550F	25	5-3/4"	Explosion Resistant	none	3
GTC-240	50-250F	15	5-1/2"	General Purpose	Manual Reset	1
GTC-540	150-550F	15	5-3/4"	General Purpose	Manual Reset	1

GT Thermostat Accessories

Type GPW() Thermowells

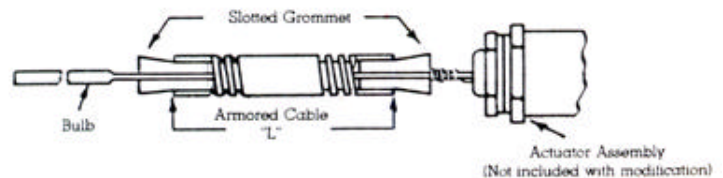
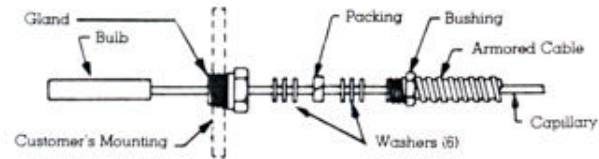
Type PG() Packing Glands

THERMOWELL APPLICATIONS

Type GPW Thermowell is suitable for immersion type applications where the solution being heated must be kept away from the thermostat sensing bulb or where replacement of the thermostat while system is under pressure is desired.

STANDARD FEATURES

Completely heliarc welded assembly includes standard wall tube, fitting with both internal and external NPT threads, and .188 inch thick end disk.



PACKING GLAND APPLICATIONS

Type PG Pack Gland is designed to seal off the space around the capillary of the GT Thermostat. The external threads of the fitting makes possible the sealing off of the sensor from the contents without the use of a thermowell.

STANDARD FEATURES

Standard design and size makes this fitting suitable for installation of most bulb and capillary thermostats.

Catalog Number	Description	Material	Diam. (Inches)	Length (Inches)	Fitting Size NPT	Wt. (lbs.)
GPWS-12	Thermowell for GT Stat	Steel	1/2"	12	1/2"NPTx3/4"NPT	1
GPWS-24	Thermowell for GT Stat	Steel	1/2"	24	1/2"NPTx3/4"NPT	2
GPWS-36	Thermowell for GT Stat	Steel	1/2"	36	1/2"NPTx3/4"NPT	3
GPWSS-12	Thermowell for GT Stat	Stainless Steel	1/2"	12	1/2"NPTx3/4"NPT	1
GPWSS-24	Thermowell for GT Stat	Stainless Steel	1/2"	24	1/2"NPTx3/4"NPT	2
GPWSS-36	Thermowell for GT Stat	Stainless Steel	1/2"	36	1/2"NPTx3/4"NPT	2
GPWL-12	Thermowell for GT Stat	Lead	5/8"	12	1/2"NPTx3/4"NPT	1
PG-25A	Packing Gland for GT	Nickel Plated Brass			3/8 - 18 (NPT)	0.2
PG-25B	Packing Gland for GT	Nickel Plated Brass			1/2 - 14 (NPT)	0.2
PG-25C	Packing Gland for GT	Nickel Plated Brass			3/4 - 15 (NPT)	0.2
PG-25D	Packing Gland for GT	Stainless Steel			3/8 - 18 (NPT)	0.2
PG-25E	Packing Gland for GT	Stainless Steel			1/2 - 14 (NPT)	0.2
PG-25F	Packing Gland for GT	Stainless Steel			3/4 - 15 (NPT)	0.2

Thermostats

Type GRT (GRT-ER) Thermostats

APPLICATIONS

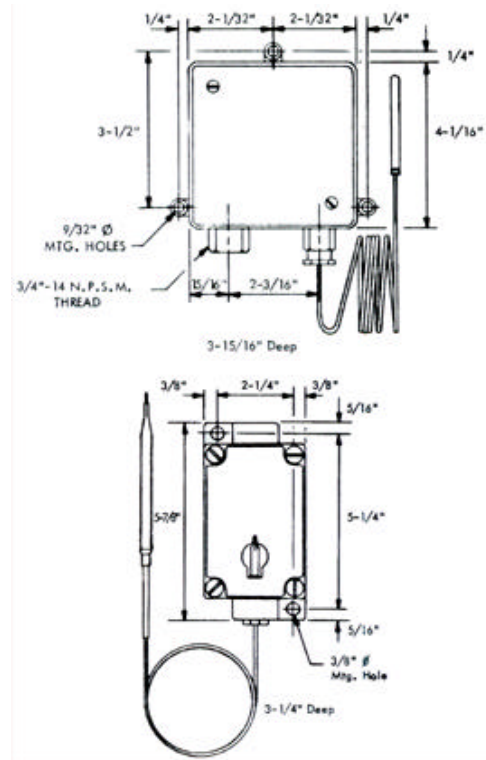
Suitable for controlling temperature in many electric heat applications such as outdoor locations, hazardous locations and comfort heating applications in both non-hazardous and hazardous locations. The most common application for the "bulb and capillary type" controllers is pipeline tracing. The other units are most commonly used for industrial space heating.

STANDARD FEATURES

Heavy duty electric thermostats with single pole, double throw contacts which open or close on temperature rise. Assemblies are rated 22 amperes at 277 Volts AC.

OPTIONS

Protective bulb wells are available for all of the "bulb and capillary" type units.



Catalog Number	Temperature Range	Cap.Size Dia.XLgth	Bulb Size Dia.XLgth	Enclosure Type	SCH (*)	Optional T-Well	Weight (lbs.)
GRT-15	0-150F	.062"x120"	.290"x2-1/2"	Raintight	A	WEL 11	2
GRT-25	100-250F	.062"x120"	.290"x2-1/2"	Raintight	A	WEL 11	1
GRT-35	200-350F	.062"x120"	.366"x2-1/4"	Raintight	A	WEL 16	1
GRT-50	325-475F	.062"x120"	.366"x2-1/4"	Raintight	A	WEL 16	1
GRT-15ER	0-150F	.062"x72"	.290"x2-1/2"	ExpProof	B	WEL 11	3
GRT-25ER	100-250F	.062"x72"	.290"x2-1/2"	Raintight	B	WEL 11	3
GRT-35ER	200-350F	.062"x72"	.366"x2-1/4"	Raintight	B	WEL 16	3
GRT-50ER	325-475F	.062"x72"	.366"x2-1/4"	Raintight	B	WEL 16	3
GRT-90	30-110F	internal	none	Standard	C	none	3
GRT-80ER	20-80F	internal	none	Raintight	D	none	3

Infinite Control Switch

Type GIC - Chromalox

APPLICATIONS

The infinite control mechanism provides percentage control from a nominal low input of 5% and infinite inputs up to 100% of any resistive loads up to 15 amperes at either 120 or 240 VAC. It is commonly used for controlling electric ranges, hotplates, furnaces, dies, platens and other applications where infinite control is desirable and sensing and the controlling of temperature is not considered necessary.

STANDARD FEATURES

The switch turns either clockwise or counterclockwise and is equipped with three (3) indexing positions "Off", "High", and "Low". In the "High" position the control is energized continuously and at other settings delivers the selected level of input under the control of a bimetal timer. "Off" positions breaks both sides of the line (DPST contacts). With a two (2) inch diameter knob the control fits in small spaces, is easy to mount, and has spare terminal connectors.



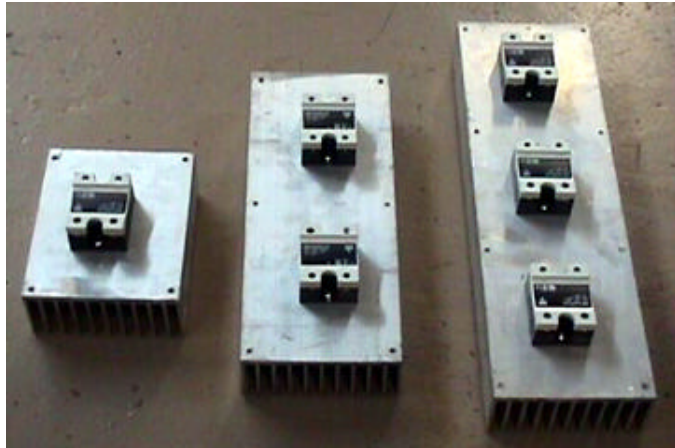
Catalog Number	Rated Volts AC	Maximum Amps	Maximum Watts	Height (inches)	Width (inches)	Weight (lbs.)
GIC-120	120	15	1800	1-3/4	1-3/4	0.3
GIC-240	240	15	3600	1-3/4	1-3/4	0.4

Solid State Relay Assemblies

Type HS - With External Cooling

APPLICATIONS

Performs switching of loads on and off where either the thermostat contacts are not sufficient capacity or where three (3) phase power is being utilized. Since the contacts have no moving parts the cycle life is indefinite. When used with modulating controls it can make possible modulating output with extended life. Three phase resistive loads can be controlled by the use of one two (2) pole assembly. A three (3) pole model is available if preferred in this application.



STANDARD FEATURES

Features zero switching with antiparallel thyristor output. This relay can be used for resistive loads to 48 Amperes. It can also be used for inductive and capacitive loads (contact Gaumer Process). The built in varistor secures transient protection for heavy industrial applications and the LED indicates the status of the control input. Heat generated from SSR is rejected in external heat sink which was custom designed specifically for this application. Integrity of Nema 12, Nema 4, and Nema 4X remain intact.

MOUNTING

The assembly is designed to be mounted thru the sidewall of an electrical enclosure. Unit is complete with installation instructions including mounting template, weatherproof gasket, and all necessary mounting hardware. Tools needed for installation include 3/16 inch drill bit and 3 inch hole punch. For the controlling of large loads multiple assemblies can be mounted adjacent to each other in the same enclosure.

Gaumer Catalog No.	Description	Qty. Poles	Output Rating	Input Rating	Heat Sink Dim. H"xW"xD"	Wt (lbs.)
HS1L48D100	Complete Asssembly	1	48 Amps	4.5-32 VDC	6"H x 5"W x 2-1/4"D	2
HS2L48D100	Complete Asssembly	2	48 Amps	4.5-32 VDC	12"H x 5"W x 2-1/4"D	4
HS3L48D100	Complete Asssembly	3	48 Amps	4.5-32 VDC	16"H x 5"W x 2-1/4"D	6
HS1L48A100	Complete Asssembly	1	48 Amps	24-265 VAC	6"H x 5"W x 2-1/4"D	2
HS2L48A100	Complete Asssembly	2	48 Amps	24-265 VAC	12"H x 5"W x 2-1/4"D	4
HS3L48A100	Complete Asssembly	3	48 Amps	24-265 VAC	16"H x 5"W x 2-1/4"D	6
HS1L	Heat Sink Only	1	NA	NA	6"H x 5"W x 2-1/4"D	2
HS2L	Heat Sink Only	2	NA	NA	12"H x 5"W x 2-1/4"D	4
HS3L	Heat Sink Only	3	NA	NA	16"H x 5"W x 2-1/4"D	6
SSRL48D100	Solid State Relay Only	1	48 Amps	4.5-32 VDC	none	1
SSRL48A100	Solid State Relay Only	1	48 Amps	24-265 VAC	none	1

GAUMER PROCESS

HEATERS
SYSTEMS
CONTROLS

Magnetic Contactors

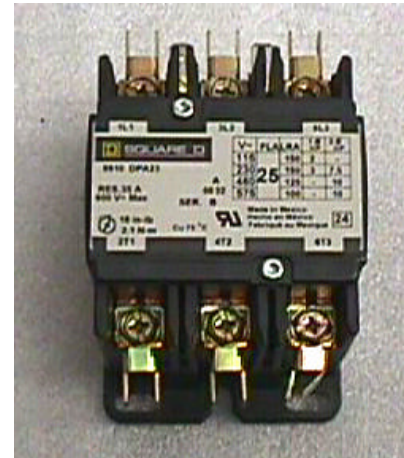
Type GEB - Definite Purpose

APPLICATIONS

Performs switching of loads on and off where either the thermostat contacts are not sufficient capacity or where three (3) phase power is being utilized.

STANDARD FEATURES

May be mounted in most any orientation, encapsulated coil, heavy duty weld resistant silver cadmium contacts, U.L. approved for resistance heating applications.



Catalog Number	Res. Rating (AMPS)	Motor Rating @480V	Motor Rating @240V	Height (Inches)	Depth (Inches)	Width (Inches)	FuseBlock Rating (Amps)	Weight (lbs.)
GEB230AA	30	3 HP	2 HP	3-3/4	3-1/2	2-5/8	none	2
GEB330AA	40	7-1/2 HP	5 HP	3-3/4	3-1/2	2-5/8	none	2
GEB430AA	50	15 HP	10 HP	3-3/4	3-1/2	2-5/8	none	3
GEB530AA	63	25 HP	15 HP	3-3/4	4	3-3/8	none	3
GEB630AA	75	30 HP	20 HP	5-1/8	4	3-3/8	none	3
GEB230AA-MFB	30	3 HP	2 HP	4-5/8	4	3-1/2	30	3
GEB330AA-JFB	40	7-1/2 HP	5 HP	5-3/8	5	4-3/4	60	3
GEB430AA-JFB	50	15 HP	10 HP	5-3/8	5	4-3/4	60	4
GEB530AA-JFB	63	25 HP	15 HP	5-3/8	5	4-3/4	60	4
GEB530BA	63	25 HP	15 HP	3-3/4	4	3-3/8	none	3
GEB730AA	94	40 HP	25 HP	5-1/8	4-3/4	3-3/8	none	5
GEB230BA	30	3 HP	2 HP	3-3/4	3-1/2	2-5/8	none	2
GEB330BA	40	7-1/2 HP	5 HP	3-3/4	3-1/2	2-5/8	none	2
GEB430BA	50	15 HP	10 HP	3-3/4	4	3-3/8	none	3
GEB630BA	75	30 HP	20 HP	5-1/8	4-3/4	3-3/8	none	4
GEB230BA-MFB	30	3 HP	2 HP	4-5/8	4	3-1/2	30	3
GEB330BA-JFB	40	7-1/2 HP	5 HP	5-3/8	5	4-3/4	60	3
GEB430BA-JFB	50	15 HP	10 HP	5-3/8	5	4-3/4	none	4
GEB530BA-JFB	63	25 HP	15 HP	5-3/8	5	4-3/4	60	4
GEB730BA	94	40 HP	25 HP	5-1/8	4-3/4	3-3/8	none	5
GEB930AA	120	50 HP	30 HP	5-1/8	4-3/4	3-3/8	none	7
GEB930BA	120	50 HP	30 HP	5-1/8	4-3/4	3-3/8	none	7

Mercury Contactors

Type G - 1, 2, or 3 pole

APPLICATIONS

Performs switching on and off of electric heater loads when used with any electronic temperature controller with relay output. Five million (5,000,000) operations without failure is common when used on a resistance load and one hundred thousand (100,000) operations may be expected with a tungsten load.

STANDARD FEATURES

Silent operation, totally encapsulated, moisture resistant, hermetically sealed, U.L. Listing File #E62767



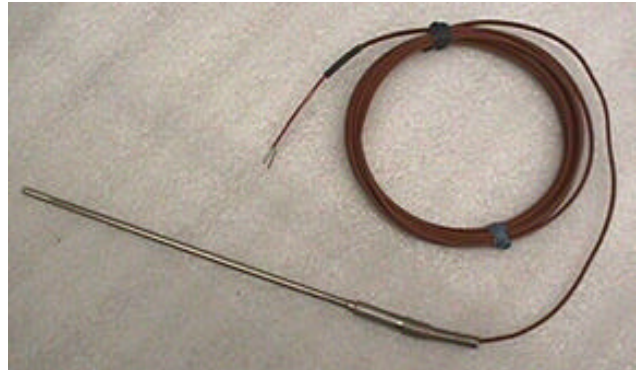
Gaumer Catalog Number	Qty. of Poles	Coil VAC	Res.Rating (Amps)	Height (Inches)	Depth (Inches)	Width (Inches)	Weight (lbs.)
G35NO-120A	1	120	35	4-1/4	2-1/4	1-7/8	1
G60NO-120A	1	120	60	4-1/4	2-1/4	1-7/8	1
G100NO-120A	1	120	80	5	2-5/8	2-1/2	2
G235NO-120A	2	120	35	4-1/4	2-1/4	3-3/4	2
G260NO-120A	2	120	60	4-1/4	2-1/4	3-3/4	2
G2100NO-120A	2	120	80	5	2-5/8	5-3/4	3
G335NO-120A	3	120	35	4-1/4	3-5/8	3-3/4	2
G360NO-120A	3	120	60	4-1/4	3-5/8	3-3/4	3
G3100NO-120A	3	120	80	5	4-7/8	5-3/4	4
G20NO-120A	1	120	20	4-1/4	2-1/4	1-7/8	1
G220NO-120A	2	120	20	4-1/4	2-1/4	3-3/4	1
G325NO-120A	3	120	20	4-1/4	3-5/8	3-3/4	2
G35NO-24AC	1	24	35	4-1/4	2-1/4	1-7/8	1
G35NO-240A	1	240	35	4-1/4	2-1/4	1-7/8	1
G235NO-220A	2	220	35	4-1/4	2-1/4	3-3/4	2
G335NO-240A	3	240	35	4-1/4	3-5/8	3-3/4	3
G235NO-480A	2	480	35	4-1/4	2-1/4	3-3/4	2
G60NO-240A	1	240	60	4-1/4	2-1/4	1-7/8	1
G260NO-240A	2	240	60	4-1/4	2-1/4	3-3/4	2
G360NO-240A	3	240	60	4-1/4	3-5/8	3-3/4	3

Thermocouples

Swedged MgO Type - Stock Assemblies

APPLICATIONS

Thermocouples are used for precise temperature measurement applications such as electrically heated ovens, furnaces, kilns, water baths, oil processing, bearing temperature, pipe tracing, dies, platens, air, and high temperature protection for electric heaters.



STANDARD FEATURES

Inconel 600 and stainless steel sheath materials, swedged construction with MgO compacted insulation, Ungrounded TC junction, brazed on lead wires, and three standard diameters (.125", .188", .250").

Gaumer Catalog Number	TC Type	Sheath Diam. (inches)	Sheath Length (inches)	Transition Length (inches)	Lead Length (feet)	Lead Configuration	Weight (lbs.)
TCJ-5-4SD	J	0.125	4	2-1/4	5	Duplex Teflon Leads	1
TCJ-5-6SD	J	0.125	6	2-1/4	5	Duplex Teflon Leads	1
TCJ-5-18SD	J	0.125	18	2-1/4	5	Duplex Teflon Leads	1
TCJ-5-30SD	J	0.125	30	2-1/4	5	Duplex Teflon Leads	1
TCJ-5-48SD	J	0.125	48	2-1/4	5	Duplex Teflon Leads	1
TCJ-5-72SD	J	0.125	72	2-1/4	5	Duplex Teflon Leads	1
TCJ-5-96SD	J	0.125	96	2-1/4	5	Duplex Teflon Leads	2
TCK-5-6SD	K	0.125	6	2-1/4	5	Glass/Glass Leads	1
TCK-5-18SD	K	0.125	18	2-1/4	5	Glass/Glass Leads	1
TCK-10-18SD	K	0.125	18	2-1/4	10	Glass/Glass Leads	1
TCK-5-30SD	K	0.125	30	2-1/4	5	Glass/Glass Leads	1
TCK-5-48SD	K	0.125	48	2-1/4	5	Glass/Glass Leads	1
TCK-5-72SD	K	0.125	72	2-1/4	5	Glass/Glass Leads	1
TCK-5-96SD	K	0.125	96	1-7/8	5	Glass/Glass Leads	2
TCJ-5A-6SD	J	0.125	6	1-7/8	5	Duplex Teflon Leads	1
TCJ-5A-18SD	J	0.125	18	1-7/8	5	Duplex Teflon Leads	1
TCJ-5A-48SD	J	0.125	48	1-7/8	5	Duplex Teflon Leads	1

Thermocouples

Swedged MgO Type - Stock Assemblies

Gaumer Catalog Number	TC Type	Sheath Diam. (inches)	Sheath Length (inches)	Transition Length (inches)	Lead Length (feet)	Lead Configuration	Weight (lbs.)
TCJ-5A-72SD	J	0.125	72	1-7/8	5	Duplex Teflon Leads	1
TCJ-5A-96SD	J	0.125	96	1-7/8	5	Duplex Teflon Leads	2
TCK-5A-6SD	K	0.125	6	1-7/8	5	SS Armour - GG Leads	1
TCK-5A-18SD	K	0.125	18	1-7/8	5	SS Armour - GG Leads	1
TCK-5A-48SD	K	0.125	48	1-7/8	5	SS Armour - GG Leads	1
TCK-5A-72SD	K	0.125	72	1-7/8	5	SS Armour - GG Leads	1
TCK-5A-96SD	K	0.125	96	1-7/8	5	SS Armour - GG Leads	2
TCPJ-6SD(.125)	J	0.125	6	plug	none	Two Prong "J" TC Plug	1
TCPJ-18SD(.125)	J	0.125	18	plug	none	Two Prong "J" TC Plug	1
TCPJ-48SD(.125)	J	0.125	48	plug	none	Two Prong "J" TC Plug	1
TCPJ-72SD(.125)	J	0.125	72	plug	none	Two Prong "J" TC Plug	1
TCPK-6SD(.125)	K	0.125	6	plug	none	Two Prong "K" TC Plug	1
TCPK-18SD(.125)	K	0.125	18	plug	none	Two Prong "K" TC Plug	1
TCPK-48SD(.125)	K	0.125	48	plug	none	Two Prong "K" TC Plug	1
TCPK-72SD(.125)	K	0.125	72	plug	none	Two Prong "K" TC Plug	1
TCPJ-5LD(.250)	J	0.125	5	2-1/4	none	Two Prong "J" TC Plug	1
TCPJ-7LD(.250)	J	0.125	5	2-1/4	none	Two Prong "J" TC Plug	1
TCPJ-10LD(.250)	J	0.125	10	plug	none	Two Prong "J" TC Plug	1
TCPJ-13LD(.250)	J	0.125	13	plug	none	Two Prong "J" TC Plug	1
TCPJ-19LD(.250)	J	0.125	19	plug	none	Two Prong "J" TC Plug	1
TCPJ-25LD(.250)	J	0.125	25	plug	none	Two Prong "J" TC Plug	1

Thermocouple Accessories

For Swedged MgO Type Assemblies

APPLICATIONS

These thermocouple accessories are designed specifically to be used with the Gaumer MgO Type Thermocouples. Most all mounting and adapting applications can be easily solved using these accessories.

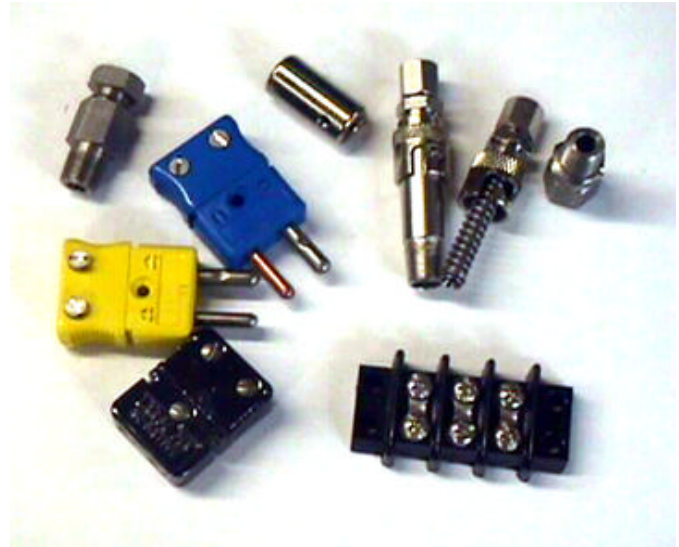
STANDARD FEATURES

Fixed bayonet fittings provide positive contact with the tip of the thermocouple and the heating surface. Both fixed and adjustable types are available.

Compression fittings are available in with threaded connections either at one or both ends. Many different sizes and different temperature rated seals (-300F - 1000F) are available. Pressures to 3000 psi are possible with some applications.

Connector plugs and jacks in both Type J and Type K are available with the necessary adaptors either of the brazing kind done at Gaumer or designed for clamping and tightening in the field.

Panel jacks and terminal blocks are designed to accomodated the terminating of thermocouples into instrument enclosures. They are compensated to provide the most accurate temperature replication possible.



Thermocouple selector switches make possible the reading of many different thermocouple outputs from a central common device. Only one readout device is necessary and the contacts provided within the switch are suitable for both Type J and Type K inputs.

Gaumer Catalog No.	Length Inches	Diam. Inches	Item Description	Feature	Wt. (lbs.)
GTH-2762BR	2-5/16	.125	Adj. Bayonet CompFttg	Brass Ferrule	0.06
GTH-2762NY	2-5/16	.125	Adj. Bayonet CompFttg	Nylon Ferrule	0.06
GTH-2762T	2-5/16	.125	Adj. Bayonet CompFttg	Teflon Ferrule	0.06
GTH-2763-2A	2"		Pipe Strap Bayonet Adptr.	1/2", 3/4" IPS	0.50
GTH-2763-3A	2"		Pipe Strap Bayonet Adptr.	1", 1-1/2" IPS	0.50
GTH-2763-4A	2"		Pipe Strap Bayonet Adptr.	2", 2-1/2" IPS	0.50
GTH-2763-5A	2"		Pipe Strap Bayonet Adptr.	3", 3-1/2" IPS	0.50
GTH-2763-6A	2"		Pipe Strap Bayonet Adptr.	4" IPS	0.50
GTH-2747L-063	1-1/4	.063	Adj.CompFttg,1/8" Male NPT	Single End	0.04
GTH-2747L-125	1-1/4	.125	Adj.CompFttg,1/8" Male NPT	Single End	0.04

Thermocouples

Swedged MgO Type - Stock Assemblies

Gaumer Catalog No.	Length Inches	Diam. Inches	Item Description	Feature	Wt. (lbs.)
GTH-2747L-188	1-1/4	.188	Adj.CompFttg,1/8" Male NPT	Single End	0.04
GTH-2748L-250	2-7/16	.250	Adj.CompFttg,1/4" Male NPT	Single End	0.04
GTH-2751L-063	1-5/8	.063	Adj.CompFttg,1/8" Male NPT	Double End	0.04
GTH-2751L-125	1-5/8	.125	Adj.CompFttg,1/8" Male NPT	Double End	0.04
GTH-2751L-188	1-5/8	.188	Adj.CompFttg,1/8" Male NPT	Double End	0.04
GTH-2752L-250	3-1/4	.250	Adj.CompFttg,1/4" Male NPT	Double End	0.08
GTH-279L-063		.063	Sealant Gland(Lava)	Replacement	0.04
GTH-279L-125		.125	Sealant Gland(Lava)	Replacement	0.04
GTH-279L-188		.188	Sealant Gland(Lava)	Replacement	0.04
GTH-280L-250		.250	Sealant Gland(Lava)	Replacement	0.04
GTH-2760			Fixed Bayonet	LockCap/Spring	0.05
GTH-295-7/8	7/8	.188	Fixed Bayonet	Bayonet Adapter	0.01
GTH-295-1-3/8	1-3/8	.188	Fixed Bayonet	Bayonet Adapter	0.03
GTH-295-1-3/4	1-3/4	.188	Fixed Bayonet	Bayonet Adapter	0.05
GTH-295-2-1/4	2-1/4	.188	Fixed Bayonet	Bayonet Adapter	0.06
924			Plug/Jack	Connector Lock	0.10
923-020		.020	Brazing Adapter	For Plug or Jack	0.06
923-032		.032	Brazing Adapter	For Plug or Jack	0.06
923-040		.040	Brazing Adapter	For Plug or Jack	0.06
923-063		.063	Brazing Adapter	For Plug or Jack	0.06
923-125		.125	Brazing Adapter	For Plug or Jack	0.08
923-188		.188	Brazing Adapter	For Plug or Jack	0.10
931-063		.063	Compression Adapter	For Plug or Jack	0.04
931-125		.125	Compression Adapter	For Plug or Jack	0.06
931-188		.188	Compression Adapter	For Plug or Jack	0.10
931-250		.250	Compression Adapter	For Plug or Jack	0.20
931-313		.313	Compression Adapter	For Plug or Jack	0.20
932-125		.125	Brazing Adapter w/Brkt	For Plug or Jack	0.10
932-188		.188	Brazing Adapter w/Brkt	For Plug or Jack	0.10
932-250		.250	Brazing Adapter w/Brkt	For Plug or Jack	0.10
921			Cable Clamp	For Plug or Jack	0.01
932-265		.265	Brazing Adapter w/Brkt	For Plug or Jack	0.02
909			Panel TC Jack	with J or K Jack	0.10
930			Panel TC Jack Only	less Plug	0.10
TTB-2J	1-5/8"		Terminal Block	Compensated	0.10
TTB-2K	1-5/8"		Comp.Terminal Block	Type K, 2 Term	0.10
TTB-2T	1-5/8"		Comp.Terminal Block	Type T, 2 Term	0.10
TTB-2E	1-5/8"		Comp.Terminal Block	Type E, 2 Term	0.10
TTB-4J	2-1/2"		Comp.Terminal Block	Type J, 4 Term	0.10
TTB-4K	2-1/2"		Comp.Terminal Block	Type K, 4 Term	0.10
TTB-4T	2-1/2"		Comp.Terminal Block	Type T, 4 Term	0.10
TTB-4E	2-1/2"		Comp.Terminal Block	Type E, 4 Term	0.10
TTB-6J	3-3/8"		Comp.Terminal Block	Type J, 6 Term	0.10
TTB-6K	3-3/8"		Comp.Terminal Block	Type K, 6 Term	0.10
TTB-6T	3-3/8"		Comp.Terminal Block	Type T, 6 Term	0.10
TTB-6E	3-3/8"		Comp.Terminal Block	Type E, 6 Term	0.10

Thermocouples

Swedged MgO Type - Stock Assemblies

Gaumer Catalog No.	Length Inches	Diam. Inches	Item Description	Feature	Wt. (lbs.)
TTB-8J	4-1/4"		Comp.Terminal Block	Type J, 8 Term	0.10
TTB-8K	4-1/4"		Comp.Terminal Block	Type K, 8 Term	0.10
TTB-8T	4-1/4"		Comp.Terminal Block	Type T, 8 Term	0.10
TTB-8E	4-1/4"		Comp.Terminal Block	Type E, 8 Term	0.10
GOSW3-2	2-1/8"	3	TC Selector Switch	Contacts - Break/Make	1.00
GOSW3-3	2-1/8"	3	TC Selector Switch	Contacts - Break/Make	1.00
GOSW3-4	2-1/8"	3	TC Selector Switch	Contacts - Break/Make	1.00
GOSW3-5	2-1/8"	3	TC Selector Switch	Contacts - Break/Make	1.00
GOSW3-6	2-1/8"	3	TC Selector Switch	Contacts - Break/Make	2.00
GOSW3-8	2-1/8"	3	TC Selector Switch	Contacts - Break/Make	2.00
GOSW3-9	2-1/8"	3	TC Selector Switch	Contacts - Break/Make	2.00
GOSW3-10	2-1/8"	3	TC Selector Switch	Contacts - Break/Make	2.00
GOSW3-12	2-1/8"	3	TC Selector Switch	Contacts - Make/Break	2.00
GOSW3-14	2-1/8"	3	TC Selector Switch	Contacts - Make/Break	2.00
GOSW3-16	2-1/8"	3	TC Selector Switch	Contacts - Make/Break	2.00
GOSW3-18	2-1/8"	3	TC Selector Switch	Contacts - Make/Break	2.00
GOSW3-20	2-1/8"	3	TC Selector Switch	Contacts - Make/Break	3.00
GOSW5-24	2-1/8"	3	TC Selector Switch	Contacts - Make/Break	3.00
GOSW5-28	2-1/8"	3	TC Selector Switch	Contacts - Make/Break	3.00
GOSW5-32	2-1/8"	3	TC Selector Switch	Contacts - Make/Break	3.00
GOSW5-36	2-1/8"	3	TC Selector Switch	Contacts - Make/Break	3.00
GOSW5-40	2-1/8"	3	TC Selector Switch	Contacts - Make/Break	3.00
940-J-4			Box Mount Jack Panel	Type J	1.00
940-K-4			Box Mount Jack Panel	Type K	1.00
940-T-4			Box Mount Jack Panel	Type T	1.00
942			Box Mount Jack Panel	Type FS	2.00



Type RHTW Hi-Temp Wire

Rated 1200°F., 600 Volts

CONSTRUCTION

Flexible, stranded, 27% Nickel-clad copper conductor insulated with high temp composite mica/glass tapes and jacketed with an ultra high temp glass braid impregnated with a high temp finish.

APPLICATION

For internal wiring of ovens and other equipment which operates at temperatures up to 1200°F. Also electric heaters, blast furnaces, coke ovens, basic oxygen furnaces, and cement kilns.

LISTINGS

Listed by Underwriter's Laboratories, Inc. under Style No 5107 and rated 450°C and 600 Volts. Manufacturer rated 1200°F and 600 Volts.

AVAILABILITY

Gaumer Company Houston Stock, 500 ft reels or cut to desired length.

RHTW Specifications:

Gaumer Catalog Number	Size		Stranding No./In.	Insl. Wall		Jacket Wall		Nominal OD		Approx. Weight.	
	AWG	MM2		Mils	MM	Jckt Mils	Jckt MM	Inches	MM	#/M ft	kg/km
RHTW-20	20	.508	10/.010	27	.686	8	.203	.108	2.74	12	17.9
RHTW-18	18	.823	16/.010	27	.686	8	.203	.118	3.00	15	22.4
RHTW-16	16	1.31	26/.010	27	.686	8	.203	.130	3.30	19	28.3
RHTW-14	14	2.08	41/.010	27	.686	8	.203	.148	3.76	26	38.7
RHTW-12	12	3.31	65/.010	27	.686	8	.203	.170	4.32	35	52.1
RHTW-10	10	5.26	105/.010	32	.813	16	.406	.225	5.72	54	80.5
RHTW-8	8	8.36	133/.010	32	.813	16	.406	.255	6.48	84	125.0
RHTW-6	6	13.3	133/.014	32	.813	16	.406	.310	7.88	120	179.0
RHTW-4	4	21.1	133/.018	32	.813	16	.406	.350	8.89	170	253.0

WIRE SELECTION CONSIDERATIONS

This chart should only be used as a guide. Many variables should be taken into account when selecting and installing Type RHTW High Temp Wire.

Amperage Chart: (amperes)

Wire Size AWG	Ampacity at Specified Temperature			
	500°F	750°F	875°F	1000°F
20	10	7	6	4
18	13	10	8	6
16	17	14	11	8
14	25	20	15	10
12	30	25	20	15
10	42	37	30	20
8	60	48	38	26
6	80	65	48	32
4	105	85	65	45

- 1] Several smaller circuits (10amp-40amp) as opposed to one larger circuit (50amp-100amp) is recommended. The smaller circuits can generally be tied together when connecting to the larger standard conductors (customer supplied) in a junction box external to the heat source.
- 2] Terminal connection studs on electric heaters often operate at higher temperatures than the air space around the terminals. Use of larger gauge wire under these circumstances is recommended.
- 3] If the Type RHTW wire is to be exposed to repeated flexing use of double loops at the flex point is recommended. Type RHTW should not be used in this type of application if the ambient is expected to exceed 750 °F.
- 4] Type RHTW conductors should not be completely surrounded or packed with insulation. If there is no other choice, contact Gaumer Company, Inc. for the best alternative plan of action.

High Temperature Terminals

Type RH, BH, G69 Tape

APPLICATIONS

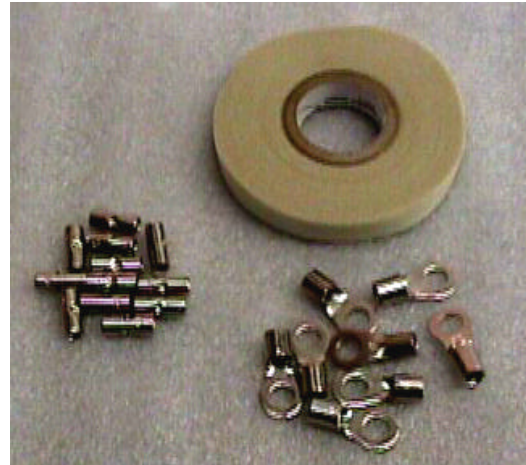
Designed to facilitate the termination of electric fixture wire exposed to high temperature environments to 900° F. For higher temperatures than 900° F contact Gaumer Process.

STANDARD FEATURES

Made of heavy gauge steel with a heavy plating of nickel to help retard oxidation at elevated temperatures.

AVAILABILITY

Stock



Catalog Number	Wire Range	Width W	Length L	Terminal Description	Weight (lbs.)
QSML 1814	18-14	.250	23/32	Male Quick-Slide	0.010
BH 1210	12-10		9/16	Butt Type Terminal	0.010
BH 2218	22-18		9/16	Butt Type Terminal	0.010
QSMS 1814	18-14	.187	1/2	Male Quick-Slide	0.010
QSFS 1814	18-14	.187-.205	31/64	Female Quick-Slide	0.010
RH 10/10	12-10	3/8	47/64	Ring Tongue Terminal	0.010
RH 14/1/4	16-14	9/16	15/16	Ring Tongue Terminal	0.010
G69-1/2		1/2" Wide		Glass Tape - 22 Yds.	0.200
BH 1614	16-14		9/16	Butt Type Terminal	0.010
QSFL 1814	18-14	.250	41/64	Female Quick-Slide	0.010
RH 10/1/4	12-10	39/64	63/64	Ring Tongue Terminal	0.010
RH 4-3/8	4	43/64	1-11/32	Ring Tongue Terminal	0.010
RH 6-3/8	6	5/8	1-7/32	Ring Tongue Terminal	0.010
RH 22/1/4	22-18	9/16	15/16	Ring Tongue Terminal	0.010
G69-3/4		3/4" Wide		Glass Tape - 22 Yds.	0.300
RH 8/1/4	8	15/32	61/64	Ring Tongue Terminal	0.010
RH 14/10	16-14	21/64	45/64	Ring Tongue Terminal	0.010
RH 22/10	22-18	21/64	45/64	Ring Tongue Terminal	0.010

Technical Data

Properties of Liquids

Substance	Specific Heat	lbs/cuft	lbs/gal	Heat of Vaporization	Boiling Point (F)
Acetic Acid	0.49	175	244	66	8.75
Acetone	0.514	225	133	49	6.6
Alcohol	0.65	367	173	55	6.63
Ammonia (100%)	1.1	589	-27	47.9	6.4
Aniline	0.514	198	63	64.3	8.6
Arochlor Oil	0.28	0	650	89.7	12
Asphalt	0.42	0	0	62.3	8.3
Benzine	0.45	170	176	56	7.34
Brine	0.81	728	221	74	9.89
Brine-NaCl,25%	0.786	730	220	74.1	9.9
Butyl Alcohol	0.687	254	244	45.3	6.1
Carbon Tetrachloride	0.21	0	170	98.5	13.2
Caustic Soda NaOH 30%	0.84	0	0	82.9	11.1
Caustic Soda NaOH 50%	0.78	0	0	95.4	12.8
CausticSoda18%NaOH	0.84	795	221	74.9	10
Corn Syrup, Dextrose	0.65	0	231	87.8	11.8
Cottonseed Oil	0.47	0	0	59.2	7.9
Dowtherm A	0.44	42	496	66.1	8.15
Ether	0.503	160	94	46	6.14
Ethyl Acetate	0.475	183.5	180	51.5	6.9
Ethyl Alcohol, 95%	60	370	0	50.4	6.8
Ethyl Bromide	0.215	108	101	90.5	12.1
Ethyl Chloride	0.367	166.5	54	57	7.6
Ethyl Iodide	0.161	81.3	160	113	15.1
Ethylene Bromide	0.172	83	270	120	16.1
Ethylene Chloride	0.299	139	240	71.7	9.6
Ethylene Glycol	0.55	0	387	70	9.4
EthyleneGlycol	0.602	0	387	70.5	9.42
Fatty Acid, Aleic	0.7	0	547	55.4	7.4
Fatty Acid, Palmitic	0.653	0	520	53.1	7.1
Fatty Acid, Stearic	0.55	0	721	52.8	7.1
Formic Acid	0.525	216	213	69.2	9.3
Freon 11	0.208	0	74.9	92.1	12.3
Freon 12	0.23	62	22	82.7	11
Freon 22	0.3	0	-41.36	74.53	10

Technical Data

Properties of Liquids

Substance	Specific Heat	lbs/cuft	lbs/gal	Heat of Vaporization	Boiling Point (F)
Fruit, Fresh (Avg)	0.88	0	0	55	7.4
Fuel Oil #1 (Kerosene)	0.47	86	440	50.5	6.8
Fuel Oil #2	0.44	0	0	53.9	7.2
Fuel Oil #3,#4	0.425	67	580	55.7	7.5
Fuel Oil #5,#6	0.41	0		58.9	7.9
FuelOil-BunkerC	0.5	150	580	61	8.15
Gasoline	0.675	137	280	48.6	6.49
Glue-2/3 Water	0.895	0	230	69	9.22
Glycerine	0.61	0	554	79	10.5
Heptane	0.49	137.1	210	38.2	5.1
Hexane	0.6	142.5	155	38.2	5.1
Honey	0.34	0	0	65	8.7
HydrochloricAcid10%	0.93	0	221	66.5	8.89
Kerosene	0.47	108	440	51.5	6.88
Lard	0.64	0	0	57.4	7.7
Lindseed Oil	0.44	0	552	57.9	7.8
Machine Oil SAE 10-50	0.43	0	0	55.4	7.4
Maple Syrup	0.48	0	0	65	8.7
Mercury	0.0333	117	674	845	112.97
Methyl Acetate	0.47	176.5	133	54.8	7.3
Methyl Chloroform	0.26	95	165	82.7	11.1
Methylene Chloride	0.288	142	104	82.6	11.1
Milk, 3.5%	0.9	0	0	64.2	8.6
Molasses	0.6	0	220	87.4	11.68
NaK (78%K)	0.21	0	1446	46.2	6.2
Napthalene	0.396	103	424	54.1	7.2
Nitric Acid 7%	0.92	918	187	64.7	8.64
Nitric Acid, 95%	0.5	207	187	93.5	12.5
Nitrobenzene	0.35	142.2	412	0	0
Oil,Cottonseed	0.47	0	400	60	7.92
Oil,Machine	0.47	0	400	58	7.75
Oil,Olive	0.471	0	570	58	7.75
Olive Oil	0.47	0	570	58	7.8
Paraffin,Melted	0.71	0	750	56	7.49
Perchlorethylene	0.21	90	250	101.3	13.6
Petroleum	0.51	0	0	58.2	7.78
Phenol (Carbolic Acid)	0.56	0	346	66.6	8.9
Phosphoric Acid 10%	0.93	0	0	65.4	8.8
Phosphoric Acid 20%	0.85	0	0	69.1	9.3

Technical Data

Properties of Liquids

Substance	Specific Heat	lbs/cuft	lbs/gal	Heat of Vaporization	Boiling Point (F)
Potassium	0.18	892	1400	44.6	5.96
Propane (Compressed)	0.576	193.1	-48.1	0.13	4.23
Propionic Acid	0.56	177.8	286	61.8	8.3
Propyl Alcohol	0.57	295.2	208	50.2	6.7
Sea Water	0.94	0	0	64.2	8.6
Sodium (Na)	0.3	1810	1621	51.2	6.84
Soybean Oil	0.3	0	0	57.4	7.7
Sucrose(40% Sugar Syru	0.66	0	214	73.5	9.8
Sucrose(60% Sugar Syru	0.74	0	218	80.4	10.8
Sulfur,Melted	0.234	652	832	112	15.01
Sulfuric Acid 20%	0.84	0	218	71	9.5
Sulfuric Acid 60%	0.52	0	282	93.5	12.5
Sulfuric Acid 98%	0.35	219	625	114.7	15.4
TherminalFR2	0.3	0	648	57.5	7.68
Toluene	0.42	0	0	53.7	7.2
Transformer Oil	0.42	0	0	56.3	7.5
Trichloethylene	0.23	103	188	91.3	12.2
Trichloro-Trifluorethane	0.21	63	118	94.6	0
Turpentine	0.42	184	320	54.3	7.25
VegetableOil	0.43	0	400	57.5	7.68
Water	1	970	212	62.5	8.34
Xylene	0.411	149.2	288	53.8	7.2

Technical Data

Properties of Gases

Substance	Specific Heat	lbs/cuft
Acetylene	0.35	0.0682
Air	0.237	0.08
Alcohol	0.453	0
Ammonia	0.536	0.048
Argon	0.124	0.1033
Butane	0.395	0.1554
Carbon Dioxide	0.217	0.1146
Carbon Monoxide	0.248	0.0725
Chlorine	0.125	0.1862
Ethane	0.3861	0.084
Ethyl Chloride	0.275	0.179
Ethylene	0.4	0.0733
Fluorine	0.182	0.1059
Helium	1.25	0.0103
Hydrochloric Acid	0.189	0.095
Hydrogen	3.41	0.0056
Hydrogen Bromide	0.082	0.2275
Hydrogen Chloride	0.194	0.1023
Hydrogen Fluoride	0.343	0.0535
Hydrogen Iodide	0.06	0.355
Hydrogen Sulfide	0.2451	0.096
Methane	0.6	0.0446
Methyl Chloride	0.24	0.142
Natural Gas	0.56	0.0502
Nitric Oxide	0.231	0.0777
Nitrogen	0.249	0.073
Nitrous Oxide	0.2126	0.123
Oxygen	0.219	0.083
Propane	0.393	0.1175
Propylene	0.358	0.1091
Sulphur Dioxide	0.155	0.172
Unknown	0.01	0.01
Water Vapor	0.482	0.037

Technical Data

Properties of Solids

Substance	Specific Heat	lbs/cuft	lbs/gal	Heat of Vaporization	Boiling Point (F)
ABS	0.4	62	52	0	62
Aluminum	0.226	168.5	167.4	1219	168.5
Antimony	0.052	423	25	1166	423
asphalt	0.23	165	138	1216	165
Asphalt	0.4	81	40	250	81
Barium	0.068	218.4	0	2080	218.4
Beeswax	0	60	75	144	60
Beryllium	0.425	112.3	572	2462	112.3
Bismuth	0.031	612	23	520	612
Boron	0.309	144	0	4172	144
Brass-Red	0.1	546	0	1877	546
Brass-Yellow	0.1	525	0	1832	525
Brick,Masonry	0.22	144	0	0	144
Bronze-75%Cu,25%Sn	0.104	550	75	1832	550
Cadmium	0.0552	540	23	610	540
Calcium	0.149	96.7	140	1490	96.7
Calcium Chloride	0.17	157	72	1422	157
Carbon	0.204	140	0	0	140
Cement,Portland Loose	0.19	94	0	0	94
Chalk	0.214	120	0	0	120
Chromium	0.111	432	126	3209	432
Clay	0.22	115	0	0	115
Coal	0.3	90	0	0	90
Coal Tar	0.4	78	0	0	78
Cobalt	0.099	554	115.2	2696	554
Coke	0.265	62	0	0	62
Concrete	0.156	175	0	0	175
Concrete(Crushed)	0.16	140	0	0	140
Copper	0.1	550	75	1832	550
Cork	0.5	13.5	0	0	13.5
Cotton- Flax,Hemp	0.31	92.4	0	0	92.4
Delrin	0.35	88.1	0	0	88.1
Firebrick, Fireclay	0.243	140	0	2900	140
Firebrick, Silica	0.258	150	0	3000	150
Glass	0.2	170	0	2200	170

Technical Data

Properties of Solids

Substance	Specific Heat	lbs/cuft	lbs/gal	Heat of Vaporization	Boiling Point (F)
Gold	0.032	1206	29	1945	1206
Granite	0.192	165	0	0	165
Graphite	0.2	130	0	0	130
Ice	0.504	56	144	32	56
Incoloy 800	0.13	501	0	2500	501
Inconel 600	0.126	525	0	2500	525
Invar 36%Ni	0.126	506	0	2600	506
Iron,Cast	0.13	474	0	2300	474
Iron,Wrought	0.12	480	0	2800	480
Lead,Solid	0.031	710	10	621	710
Limestone	0.22	125	0	0	125
Lithium	0.79	367	59	367	367
Magnesia 85%	0.222	19	0	0	19
Magnesium	0.25	109	160	1202	109
Manganese	0.115	463	116	2268	463
Marble	0.21	165	0	0	165
Mercury	0.033	844	5	-38	844
Mgo, Compacted	0.209	194	0	0	194
Mica	0.21	165	0	0	165
Molybdenum	0.071	638	126	4750	638
Monel 400	0.11	551	0	2400	551
Nichrome	0.11	522	0	2550	522
Nickel	0.12	550	0	2642	550
Nickel Silver 18%	0.095	543	0	1931	543
Palladium	0.062	747	0	2830	747
Paper	0.45	58	0	0	58
Paraffin	0.7	56	63	133	56
Pitch,Hard	0.5	83	0	300	83
Platinum	0.035	1339	49	3225	1339
Porcelain	0.26	196	0	3326	196
Potassium	0.058	750	26.2	146	750
Potassium Chloride	0.17	124	0	1454	124
Potassium Nitrate	0.26	132	0	633	132
Quartz	0.17	138	0	3149	138
Rhodium	0.059	776	0	3570	776
Rosin	0.5	68	0	179	68
Rubber	0.5	68	0	179	68
Rubber, Isoprene	0.48	58	0	0	58
Rubber, Silicone	0.45	78	0	0	78

Technical Data

Properties of Solids

Substance	Specific Heat	lbs/cuft	lbs/gal	Heat of Vaporization	Boiling Point (F)
Rubber, Synthetic	0.4	58	0	0	58
Rubber, Vinyl	0.5	80	0	0	80
Sand	0.19	90	0	0	90
Selenium	0.077	301	0	0	301
Silicon	0.181	151	0	0	151
Silver	0.057	655	38	1761	655
Solder 50/50	0.04	580	17	415	580
Steatite	0.2	162	0	0	162
Steel, Mild	0.122	490	0	2760	490
Steel, Stainless 304	0.12	494	0	2550	494
Steel, Stainless 430	0.12	475	0	2650	475
Sugar	0.3	105	320	320	105
Sulfur	0.203	125	17	230	125
Tallow	0	60	0	90	60
Tantalum	0.035	1037	0	5425	1037
Tin	0.06	456	25	450	456
Titanium	0.13	283	0	3035	283
Tungsten	0.04	1204	79	6170	1204
Type Metal 85/15	0.04	670	14	500	670
Uranium	0.028	1170	0	3075	1170
Wood, Oak	0.57	50	0	0	50
Wood, Pine	0.67	34	0	0	34
Zinc	0.095	445	51	787	445
Zirconium	0.067	404	108	3350	404



Technical Data Properties of Steam

Gauge Pressure PSIG	Absolute Pressure PSIA	Steam Temp. (F)	Sensible Heat BTU/lb.	Latent Heat BTU/lb.	Total Heat BTU/lb.	Specific Vol Cu.ft./lb.
0	14.7	212.0	180.2	970.6	1150.8	26.80
1	15.7	215.4	183.6	968.4	1152.0	25.20
2	16.7	218.5	186.8	966.4	1153.2	23.80
3	17.7	221.5	189.8	964.5	1154.3	22.50
4	18.7	224.5	192.7	962.6	1155.3	21.40
5	19.7	227.4	195.5	960.8	1156.3	20.40
6	20.7	230.0	198.1	959.2	1157.3	19.40
7	21.7	232.4	200.6	957.6	1158.2	18.60
8	22.7	234.8	203.1	956.0	1159.1	17.90
9	23.7	237.1	205.5	954.5	1160.0	17.20
10	24.7	239.4	207.9	952.9	1160.8	16.50
11	25.7	241.6	210.1	951.5	1161.6	15.90
12	26.7	243.7	212.3	950.1	1162.4	15.30
13	27.7	245.8	214.4	948.6	1163.0	14.80
14	28.7	247.9	216.4	947.3	1163.7	14.30
15	29.7	249.8	218.4	946.0	1164.4	13.90
16	30.7	251.7	220.3	944.8	1165.1	13.40
17	31.7	253.6	222.2	943.5	1165.7	13.00
18	32.7	255.4	224.0	942.4	1166.4	12.70
19	33.7	257.2	225.8	941.2	1167.0	12.30
20	34.7	258.8	227.5	940.1	1167.6	12.00
22	36.7	262.3	230.9	937.8	1168.7	11.40
24	38.7	265.3	234.2	935.8	1170.0	10.80
26	40.7	268.3	237.3	933.5	1170.8	10.30
28	42.7	271.4	240.2	931.6	1171.8	9.87
30	44.7	274.0	243.0	929.7	1172.7	9.46
32	46.7	276.7	245.9	927.6	1173.5	9.08
34	48.7	279.4	248.5	925.8	1174.3	8.73
36	50.7	281.9	251.1	924.0	1175.1	8.40
38	52.7	284.4	253.7	922.1	1175.8	8.11
40	54.7	286.7	256.1	920.4	1176.5	7.83
42	56.7	289.0	258.5	918.6	1177.1	7.57
44	58.7	291.3	260.8	917.0	1177.8	7.33
46	60.7	293.5	263.0	915.4	1178.4	7.10
48	62.7	295.6	265.2	913.8	1179.0	6.89
50	64.7	297.7	267.4	912.2	1179.6	6.68
52	66.7	299.7	269.4	910.7	1180.1	6.50
54	68.7	301.7	271.5	909.2	1180.7	6.32
56	70.7	303.6	273.5	907.8	1181.3	6.16
58	72.7	305.5	275.3	906.5	1181.8	6.00
60	74.7	307.4	277.1	905.3	1182.4	5.84

Technical Data

Properties of Steam

Gauge Pressure PSIG	Absolute Pressure PSIA	Steam Temp. (F)	Sensible Heat BTU/lb.	Latent Heat BTU/lb.	Total Heat BTU/lb.	Specific Vol Cu.ft./lb.
62	76.7	309.2	279.0	904.0	1183.0	5.70
64	78.7	310.9	280.9	902.6	1183.5	5.56
66	80.7	312.7	282.8	901.2	1184.0	5.43
68	82.7	314.3	284.5	900.0	1184.5	5.31
70	84.7	316.0	286.2	898.8	1185.0	5.19
72	86.7	317.7	288.0	897.5	1185.5	5.08
74	88.7	319	289.4	896.5	1185.9	4.97
76	90.7	320.9	281.2	895.1	1176.3	4.87
78	92.7	322.4	292.9	893.9	1186.8	4.77
80	94.7	323.9	294.5	892.7	1187.2	4.67
82	96.7	325.5	296.1	891.5	1187.6	4.58
84	98.7	326.9	297.6	890.3	1187.9	4.49
86	100.7	328.4	299.1	889.2	1188.3	4.41
88	102.7	329.9	300.6	888.1	1188.7	4.33
90	104.7	331.2	302.1	887.0	1189.1	4.25
92	106.7	332.6	303.5	885.8	1189.3	4.17
94	108.7	333.9	304.9	884.8	1189.7	4.10
96	110.7	335.3	306.3	883.7	1190.0	4.03
98	112.7	336.6	307.7	882.6	1190.3	3.96
100	114.7	337.9	309.0	881.6	1190.6	3.90
102	116.7	339.2	310.3	880.6	1190.9	3.83
104	118.7	340.5	311.6	879.6	1191.2	3.77
106	120.7	341.7	313.0	878.5	1191.5	3.71
108	122.7	343.0	314.3	877.5	1191.8	3.65
110	124.7	344.2	315.5	876.5	1192.0	3.60
112	126.7	345.4	316.8	875.5	1192.3	3.54
114	128.7	346.5	318.0	874.5	1192.5	3.49
116	130.7	347.7	319.3	873.5	1192.8	3.44
118	132.7	348.9	320.5	872.5	1193.0	3.39
120	134.7	350.1	321.8	871.5	1193.3	3.34
125	139.7	352.8	324.7	869.3	1194.0	3.23
130	144.7	355.6	327.6	866.9	1194.5	3.12
135	149.7	358.3	330.6	864.5	1195.1	3.02
140	154.7	360.9	333.2	862.5	1195.7	2.93
145	159.7	363.5	335.9	860.3	1196.2	2.84
150	164.7	365.9	338.6	858.0	1196.6	2.76
155	169.7	368.3	341.1	856.0	1197.1	2.68
160	174.7	370.7	343.6	853.9	1197.5	2.61
165	179.7	372.9	346.1	851.8	1197.9	2.54
170	184.7	375.2	348.5	849.8	1198.3	2.48
175	189.7	377.5	350.9	847.9	1198.8	2.41
180	194.7	379.6	353.2	845.9	1199.1	2.35
185	199.7	381.6	355.4	844.1	1199.5	2.30
190	204.7	383.7	357.6	842.2	1199.8	2.24
195	209.7	385.7	359.9	840.2	1200.1	2.18
200	214.7	387.7	362.0	838.4	1200.4	2.14
210	224.7	391.7	366.2	834.8	1201.0	2.04
220	234.7	395.5	370.3	831.2	1201.5	1.96

Technical Data

Properties of Steam

Gauge Pressure PSIG	Absolute Pressure PSIA	Steam Temp. (F)	Sensible Heat BTU/lb.	Latent Heat BTU/lb.	Total Heat BTU/lb.	Specific Vol Cu.ft./lb.
230	244.7	399.1	374.2	827.8	1202.0	1.88
240	254.7	402.7	378.0	824.5	1202.5	1.81
250	264.7	406.1	381.7	821.2	1202.9	1.74
260	274.7	409.3	385.3	817.9	1203.2	1.68
270	284.7	412.5	388.8	814.8	1203.6	1.62
280	294.7	415.8	392.3	811.6	1203.9	1.57
290	304.7	418.8	395.7	808.5	1204.2	1.52
300	314.7	421.7	398.9	805.5	1204.4	1.47
310	324.7	424.7	402.1	802.6	1204.7	1.43
320	334.7	427.5	405.2	799.7	1204.9	1.39
330	344.7	430.3	408.3	796.7	1205.0	1.35
340	354.7	433.0	411.3	793.8	1205.1	1.31
350	364.7	435.7	414.3	791.0	1205.3	1.27
360	374.7	438.3	417.2	788.2	1205.4	1.24
370	384.7	440.8	420.0	785.4	1205.4	1.21
380	394.7	443.3	422.8	782.7	1205.5	1.18
390	404.7	445.7	425.6	779.9	1205.5	1.15
400	414.7	448.1	428.2	777.4	1205.6	1.12
420	434.7	452.8	433.4	772.2	1205.6	1.07
440	454.7	457.3	438.5	767.1	1205.6	1.02
460	474.7	461.7	443.4	762.1	1205.5	0.98
480	494.7	465.9	448.3	757.1	1205.4	0.94
500	514.7	470.0	453.0	752.3	1205.3	0.90
520	534.7	474.0	457.6	747.5	1205.1	0.87
540	554.7	447.8	462.0	742.8	1204.8	0.84
560	574.7	481.6	466.4	738.1	1204.5	0.81
580	594.7	485.2	470.7	733.5	1204.2	0.78
600	614.7	488.8	474.8	729.1	1203.9	0.75
620	634.7	492.3	479.0	724.5	1203.5	0.73
640	654.7	495.7	483.0	720.1	1203.1	0.70
660	674.7	499.0	486.9	715.8	1202.7	0.68
680	694.7	502.2	490.7	711.5	1202.2	0.66
700	714.7	505.4	494.4	707.4	1201.8	0.64
720	734.7	508.5	498.2	703.1	1201.3	0.62
740	754.7	511.5	501.9	698.9	1200.8	0.61
760	774.7	514.5	505.5	694.7	1200.2	0.59
780	794.7	517.5	509.0	690.7	1199.7	0.57
800	814.7	520.3	512.5	686.6	1199.1	0.56



Technical Data

Heating Element Selection Guidelines

Heated Material	Maximum Temp (F)	Watt-Density Stagnant/Flowing	Suggested Sheath	Notes
Acetic Acid	200	40	TF, QZ	
Acetone	200	10	IN	
Alkaline Solutions	200	23	IN	
Aluminum Sulfate	200	23	304SS	
Aniline	400	20	304SS	
Animal Glue				Contact Gaumer
Asphalt	300	4 (8)	IN	@ 300 F
Asphalt	500	3 (8)	IN	@ 500 F
Asphalt	200	6 (8)	IN	@ 200 F
Barium Hydroxide	200	40	316SS	
Benzene	200	8	IN	
Calcium Chlorate	200	40	IN	
Carbon Tetrachloride	200	23	IN	
Caustic Soda (10%)	210	23	IN	
Chromic Acid	200	40	TF, QZ	
Citric Acid	200	23	IN	
Dowtherm A (Liquid)	700	15	IN	
Dowtherm A (Vapor)	700	8	IN	
Dowtherm E	400	8 (15)	IN	
Dowtherm G	650	12 (15)	IN	
Dye Solutions	212	23	IN	
Electroplating Baths				Contact Gaumer
Ethylene Glycol	300	30	IN	
Freon (Liquid)	300	23	IN	
Freon (Vapor)	300	6	IN	
Fuel Oil Bunker C	160	4 (8)	IN	
Fuel Oil No. 1	200	15 (23)	IN	
Fuel Oil No. 2	200	15 (23)	IN	
Fuel Oil No. 4	200	8 (15)	IN	
Fuel Oil No. 5	200	8 (15)	IN	
Fuel Oil No. 6	200	4 (8)	IN	
Gasoline	160	12 (23)	IN	
Grease (Liquid)		23	IN	
Grease (Solid)		6	IN	
Heat Transfer Oils	600	8 (15)	IN	@ 600 F
Heat Transfer Oils	500	12 (23)	IN	@ 500 F
Hot Melt Adhesives	400		IN	
Iron Phosphate				Contact Gaumer

Technical Data

Heating Element Selection Guidelines

Heated Material	Maximum Temp (F)	Watt-Density Stagnant/Flowing	Suggested Sheath	Notes
Kerosene	300		IN	
Lactic Acid	122	10	IN	
Linseed Oil	150	15 (23)	IN	
Lube Oil SAE 10, 90-100S	250	15 (23)	IN	@ 130 F
Lube Oil SAE 20, 120-185	250	15 (23)	IN	@ 130 F
Lube Oil SAE 30, 185-255	250	15 (23)	IN	@ 130 F
Lube Oil SAE 40, 40-80S	250	12 (15)	IN	@ 210 F
Lube Oil SAE 50, 80-105S	250	12 (15)	IN	@ 210 F
Mineral Oil	200	23	IN	@ 200 F
Mineral Oil	400	15	IN	@ 400 F
Mobiltherm 600	600	12 (15)	IN	
Mobiltherm 603	600	12 (15)	IN	
Molasses	100	3	IN	
Molten Salt	900	23	IN	
Molten Tin	600	20	IN	
Naptha	212	10	IN	
Nitric Acid	167	20	TF, QZ	
Oakite Solutions (Clear)	212	40	IN	
Oakite Solutions (Cloudy)	212	23	IN	
Paraffin	150	15	IN	
Perchlorethylene	200	23	IN	
Phosphoric Acid				Contact Gaumer
Potassium Chloride	212	40	IN	
Potassium Hydroxide	160	25	IN	
Propylene Glycol	150	15	IN	
Soap Solutions	212	23	IN	
Sodium Cyanide	140	23	IN	
Sodium Hydroxide	212	20	IN	
Sodium Phosphate				Contact Gaumer
Tar	200	6 (8)	IN	
Therminol 66	625		IN	
Toluene	212	23	IN	
Trichlorthylene	150	23	IN	
Turpentine	300	20	IN	
Vapor Degreasing	240	23	IN	
Vegetable Oil (Liquid)	400	23	304SS	
Vegetable Oil (Solid)		6	304SS	
Water (Process)	212	60	IN	
Wax	150	15	IN	



Technical Data

ANSI Pressure Temperature Ratings

NOTES:

1. The ANSI flange ratings charts (condensed list here) should be used only as a guide in selecting the properly rated flange as well as other components used in a flanged or circulation heater.
2. Other factors which should be taken into consideration include the anticipated element sheath temperature, the length of the unheated section of the element sheath, and the anticipated vessel temperature at both design conditions and overheat/shut-down conditions.
3. As "Rule of Thumb", generally Carbon Steel is commonly used for temperatures to 750° F and Stainless Steel is considered suitable to 1200° F. Corrosion and oxidation rates of the flange material should be taken into account when using these "Rules of Thumb".
4. The information referenced in Notes 2 and 3 above should be used only as a guide. Contact Gaumer Process for assistance in selecting the properly rated flange and the flange material to suit your application.
5. The actual thickness of the flange used in the flanged heater may have to be thickened to meet necessary calculated conditions for ASME Coding of the flanged heater. Contact Gaumer Process for more information on this subject.

Pressure-Temperature Ratings (psig)						Class - 150 #	
Pressure Class #	Service Temp (F)	Carbon Steel	Cr-Mo	SS 304	SS 316	SS304L SS316L	SS 321:
150	100	285	290	275	275	230	275
150	200	260	260	235	240	195	235
150	300	230	230	205	215	175	210
150	400	200	200	180	195	160	190
150	500	170	170	170	170	145	170
150	600	140	140	140	140	140	140
150	650	125	125	125	125	125	125
150	700	110	110	110	110	110	110
150	750	95	95	95	95	95	95
150	800	80	80	80	80	80	80
150	850	65	65	65	65	65	65
150	900	50	50	50	50		50
150	950	35	35	35	35		35
150	1000	20	20	20	20		20

Technical Data

ANSI Pressure Temperature Ratings

Pressure-Temperature Ratings (psig)							Class - 300 #
Pressure Class #	Service Temp (F)	Carbon Steel	Cr-Mo	SS 304	SS 316	SS304L SS316L	SS 321:
300	100	740	750	720	720	600	720
300	200	675	750	600	620	505	610
300	300	655	730	530	560	455	545
300	400	635	705	470	515	415	495
300	500	600	665	435	480	380	460
300	600	550	605	415	450	360	435
300	650	535	590	410	445	350	430
300	700	535	570	405	430	345	420
300	750	505	530	400	425	335	415
300	800	410	510	395	415	330	415
300	850	270	485	390	405	320	410
300	900	170	450	385	395		405
300	950	105	345	375	385		385
300	1000	50	215	325	365		355
300	1050		190	310	360		345
300	1100			260	325		300
300	1150			195	275		235
300	1200			155	205		180
300	1250			110	180		140
300	1300			85	140		105
300	1350			60	105		80
300	1400			50	75		60
300	1450			35	60		50
300	1500			25	40		40

Pressure-Temperature Ratings (psig)							Class - 400 #
Pressure Class #	Service Temp (F)	Carbon Steel	Cr-Mo	SS 304	SS 316	SS304L SS316L	SS 321:
400	100	990	1000	960	960	800	960
400	200	900	1000	800	825	675	815
400	300	875	970	705	745	605	725
400	400	845	940	630	685	550	660
400	500	800	885	585	635	510	610
400	600	730	805	555	600	480	585
400	650	715	785	540	575	460	560
400	700	710	755	540	575	460	560
400	750	670	710	530	565	450	555
400	800	550	675	525	555	440	550
400	850	355	650	520	540	430	545
400	900	230	600	510	525		540
400	950	140	460	500	515		515

Technical Data

ANSI Pressure Temperature Ratings

Pressure-Temperature Ratings (psig)							Class - 400 #
Pressure Class #	Service Temp (F)	Carbon Steel	Cr-Mo	SS 304	SS 316	SS304L SS316L	SS 321:
400	1000	70	285	430	485		475
400	1050		250	410	480		460
400	1100			345	430		400
400	1150			260	365		315
400	1200			205	275		240
400	1250			145	245		185
400	1300			110	185		140
400	1350			85	140		110
400	1400			65	110		80
400	1450			45	80		65
400	1500			30	65		50

Pressure-Temperature Ratings (psig)							Class - 600 #
Pressure Class #	Service Temp (F)	Carbon Steel	Cr-Mo	SS 304	SS 316	SS304L SS316L	SS 321:
600	100	1480	1500	1440	1440	1200	1440
600	200	1350	1500	1200	1240	1015	1220
600	300	1315	1455	1055	1120	910	1090
600	400	1270	1410	940	1030	825	990
600	500	1200	1330	875	955	765	915
600	600	1095	1210	830	905	720	875
600	650	1075	1175	815	890	700	855
600	700	1065	1135	805	865	685	840
600	750	1010	1065	795	845	670	830
600	800	825	1015	790	830	660	825
600	850	535	975	780	810	645	815
600	900	345	900	770	790		810
600	950	205	685	750	775		775
600	1000	105	425	645	725		715
600	1050		380	620	720		695
600	1100			515	645		605
600	1150			390	550		475
600	1200			310	410		365
600	1250			220	365		280
600	1300			165	275		210
600	1350			125	205		165
600	1400			90	150		125
600	1450			70	115		95
600	1500			50	85		75

Technical Data

ANSI Pressure Temperature Ratings

Pressure-Temperature Ratings (psig)							Class - 900 #
Pressure Class #	Service Temp (F)	Carbon Steel	Cr-Mo	SS 304	SS 316	SS304L SS316L	SS 321:
900	100	2220	2250	2160	2160	1800	2160
900	200	2025	2250	1800	1860	1520	1830
900	300	1970	2185	1585	1680	1360	1635
900	400	1900	2115	1410	1540	1240	1485
900	500	1975	1995	1310	1435	1145	1375
900	600	1640	1815	1245	1355	1080	1310
900	650	1610	1765	1225	1330	1050	1280
900	700	1600	1705	1210	1295	1030	1260
900	750	1510	1595	1195	1270	1010	1245
900	800	1235	1525	1180	1245	985	1240
900	850	805	1460	1165	1215	965	1225
900	900	515	1350	1150	1180		1215
900	950	310	1030	1125	1160		1160
900	1000	155	640	965	1090		1070
900	1050		565	925	1080		1040
900	1100			770	965		905
900	1150			585	825		710
900	1200			465	620		545
900	1250			330	545		420
900	1300			245	410		320
900	1350			185	310		245
900	1400			145	225		185
900	1450			105	175		145
900	1500			70	125		115

Pressure-Temperature Ratings (psig)							Class - 1500 #
Pressure Class #	Service Temp (F)	Carbon Steel	Cr-Mo	SS 304	SS 316	SS304L SS316L	SS 321:
1500	100	3600	3750	3600	3600	3000	3600
1500	200	3500	3750	3000	3095	2530	2530
1500	300	3415	3610	2700	2795	2270	2975
1500	400	3330	3465	2485	2570	2065	2760
1500	500	3125	3325	2330	2390	1910	2570
1500	600	2770	3025	2185	2225	1800	2435
1500	650	2580	2940	2150	2220	1750	2390
1500	700	2350	2840	2125	2170	1715	2330
1500	750	2125	2660	2075	2135	1680	2290
1500	800	1830	2540	2015	2110	1645	2255
1500	850	1500	2435	1980	2090	1610	2230
1500	900	1115	2245	1945	2075		2210
1500	950	770	1595	1910	1930		1930

Technical Data

ANSI Pressure Temperature Ratings

Pressure-Temperature Ratings (psig)						Class - 1500 #	
Pressure Class #	Service Temp (F)	Carbon Steel	Cr-Mo	SS 304	SS 316	SS304L SS316L	SS 321:
1500	1000	430	1080	1605	1750		1785
1500	1050		720	1545	1720		1565
1500	1100		480	1285	1525		1360
1500	1150		310	995	1185		1185
1500	1200		190	770	925		925
1500	1250			565	735		705
1500	1300			430	585		550
1500	1350			310	480		430
1500	1400			240	380		325
1500	1450			170	290		255
1500	1500						



Technical Data

Calculate Amperage and Resistance

Calculate Amperage (Amperes) for Electric Heaters					
KW	120Volt 1Ph	240Volt 1Ph	480Volt 1Ph	240Volt 3Ph	480Volt 3Ph
1	8.30	4.20	2.10	2.40	1.20
2	16.70	8.40	4.20	4.80	2.40
3	25.00	12.50	6.30	7.20	3.60
4	33.30	16.70	8.40	9.60	4.80
5	41.70	20.90	10.50	12.10	6.10
6	50.00	25.00	12.50	14.40	7.20
7	58.30	29.20	14.60	16.90	8.50
8	66.70	33.40	16.70	19.30	9.70
9	75.00	37.50	18.80	21.70	10.90
10	83.30	41.70	20.90	24.10	12.10
12	100.00	50.00	25.00	28.90	14.50
15	125.00	62.50	31.30	36.10	18.10
20	166.70	83.30	41.70	48.10	24.10
25	208.40	104.20	102.10	60.20	30.10
30	250.00	125.00	112.50	72.20	36.10
50	416.60	208.30	104.20	120.30	60.20
75	625.00	312.50	156.30	180.40	90.20
100	833.00	416.70	208.40	240.60	120.30

Calculate Resistance (Ohms) for Electric Heaters (Leg to Leg)					
KW	120Volt 1Ph	240Volt 1Ph	480Volt 1Ph	240Volt 3Ph	480Volt 3Ph
1	14.40	57.60	230.40	115.10	460.80
2	7.20	28.80	115.20	57.60	230.40
3	4.80	19.20	76.80	38.40	153.60
4	3.60	14.40	57.60	28.80	115.20
5	2.88	11.52	46.08	23.00	92.20
6	2.40	9.60	38.40	19.20	76.80
7	2.06	8.23	32.92	16.50	65.80
8	1.80	7.20	28.80	14.40	57.60
9	1.60	6.40	25.60	12.80	51.20
10	1.44	5.76	23.04	11.50	46.10
12	1.20	4.80	19.20	9.60	38.40
15	0.96	3.84	15.36	7.70	30.70
20	0.72	2.88	11.52	5.80	23.00
25	0.58	2.30	9.22	4.60	18.40
30	0.48	1.92	7.68	3.80	15.40
50	0.29	1.15	4.61	2.30	9.20
75	0.19	0.77	3.07	1.50	6.10



INSTALLATION INSTRUCTION IMMERSION HEATERS

INSTALLATION – Care must be taken to insure complete immersion of the heated length of the heater at all times. The heated surface should never be in contact with any sludge.

The gasket surface should be clean and dry before the heater is seated. The terminals must be protected at all time from moisture or vapor; in hazardous locations, explosion-resistant covers must be used. The heaters should be inspected periodically for coatings and corrosion, and cleaned if necessary.

In an electroplating application, the metal surface of the heater is to be grounded. The heaters are not, under any circumstances, to be placed between the electrodes and the work.

LOW MEGOHM CONDITION – The refractory material used in electric heaters may absorb some moisture during transit, storage or when subjected to a humid environment. This moisture absorption corrects itself after heat-up and does not affect the heater efficiency or life.

A low megohm condition can be easily corrected by removing the terminal hardware and baking the heater in an oven at 250°F to 350°F for several hours, preferably overnight.

An alternate procedure is to energize the heater at low voltage until the megohm reading returns to normal. When energizing heaters in air, the sheath temperatures should not exceed 750°F for steel or Incoloy® rods. Made-to-order heaters, with long cold section and/or low watt densities, must be bake-dried.

For an particular point not covered, write GAUMER COMPANY, INC. giving a full description of the application.

ELECTRICAL CONNECTIONS – Heaters purchased with either moisture resistant or explosion resistant terminal covers should be wired with rigid conduit connections in keeping with the requirements of the National Electrical Code and local codes for the particular installation.

If temperature will not exceed 400°F, the electrical wiring can be insulated copper wire. A high temperature wire should be used where temperature may exceed 400°F. (Contact GAUMER COMPANY, INC. for type RHTW 1200°F 600 Volt rated wire).

GENERAL INFORMATION – Immersion heaters with 120 volt or 240 volt elements can be connected in series for high voltage operation except when uneven wattage is supplied on the respective elements.

Bending the heating elements is not recommended. If bending is necessary, contact GAUMER COMPANY, INC.

Do not remove immersion heaters from the tank while connected to the power supply.

CORROSION OF METAL – The sheath is believed to be satisfactory for heating the corrosive solution named. The rate of corrosion is affected by temperature, concentration, erosion, inhibitors, flux, impurities in the solution, etc. GAUMER COMPANY, INC., therefore, cannot guarantee this unit against damage resulting from corrosion, electrolysis, or other operating condition beyond our control. Electric units for heating various corrosive liquids, subject to customer's approval. The supplier of the chemical solution may likewise be asked for recommendations of sheath material.

WARRANTY – Seller warrants its products to be free from defects in material and workmanship under normal use and maintenance as herein provided. Seller's sole obligation under this warranty shall be limited to repairing, replacing or allowing credit for, at Seller's option, any product which under normal and proper use and maintenance proves defective in material or workmanship within one (1) year after delivery to buyer, provided however, that notice of any such defect and satisfactory proof thereof is promptly given by Buyer to Seller, and thereafter such product is returned to Seller, with transportation charges prepaid, and Seller's examination proves such product to have been defective.

This warranty does not apply in respect of damage to any product or accessory or attachment thereof caused by misuse, neglect or accident, nor does this warranty apply to any product which has been repaired or altered in any way which, in the sole judgement of the Seller, affects the performance, stability or general purpose for which it was manufactured. Performance of Seller's products or systems for specific applications is warranted only in cases where Seller has sole responsibility for product and system concept, design, selection of components, manufacture and installation. Wherever Buyer has specified that certain components be used, such products or system performance warranties are limited to that consistent with the performance specified by the manufacturers fo the components so employed. For goods, products and/or equipment or systems only sold by Seller and manufactured by others, Seller only passes such manufacturer's warranties on to Buyer.

If a factory installed high limit device is not provided , the user is responsible for their own high limit control.

GAUMER PROCESS

HEATERS
SYSTEMS
CONTROLS

INSTALLATION INSTRUCTION UL LISTED IMMERSION HEATERS

INSTALLATION – Care must be taken to insure complete immersion of the heated length of the heater at all times. The heated surface should never be in contact with any sludge.

The gasket surface should be clean and dry before the heater is seated. The terminals must be protected at all time from moisture or vapor. The heaters should be inspected periodically for coatings and corrosion, and cleaned if necessary.

In an electroplating application, the metal surface of the heater is to be grounded. The heaters are not, under any circumstances, to be placed between the electrodes and the work.

LOW MEGOHM CONDITION – The refractory material used in electric heaters may absorb some moisture during transit, storage or when subjected to a humid environment. This moisture absorption corrects itself after heat-up and does not affect the heater efficiency or life.

A low megohm condition can be easily corrected by removing the terminal hardware and baking the heater in an oven at 250°F to 350°F for several hours, preferably overnight.

An alternate procedure is to energize the heater at low voltage until the megohm reading returns to normal. When energizing heaters in air, the sheath temperatures should not exceed 750°F for steel or Incoloy® rods. Made-to-order heaters, with long cold section and/or low watt densities, must be bake-dried.

For an particular point not covered, write GAUMER COMPANY, INC. giving a full description of the application.

ELECTRICAL CONNECTIONS – Heaters purchased with moisture resistant terminal covers should be wired with rigid conduit connections in keeping with the requirements of the National Electrical Code and local codes for the particular installation.

If temperature will not exceed 400°F, the electrical wiring can be insulated copper wire. A high temperature wire should be used where temperature may exceed 400°F. (Contact GAUMER COMPANY, INC. for type RHTW 1200°F 600 Volt rated wire).

GENERAL INFORMATION – Immersion heaters with 120 volt or 240 volt elements can be connected in series for high voltage operation except when uneven wattage is supplied on the respective elements.

Bending the heating elements is not recommended. If bending is necessary, contact GAUMER COMPANY, INC.

Do not remove immersion heaters from the tank while connected to the power supply.

CORROSION OF METAL – The sheath is believed to be satisfactory for heating the water bases solution named. The rate of corrosion is affected by temperature, concentration, erosion, inhibitors, flux, impurities in the solution, etc. GAUMER COMPANY, INC., therefore, cannot guarantee this unit against damage resulting from corrosion, electrolysis, or other operating condition beyond our control. Electric units for heating various water based liquids, subject to customer's approval. The supplier of the water based solution may likewise be asked for recommendations of sheath material.

WARRANTY – Seller warrants its products to be free from defects in material and workmanship under normal use and maintenance as herein provided. Seller's sole obligation under this warranty shall be limited to repairing, replacing or allowing credit for, at Seller's option, any product which under normal and proper use and maintenance proves defective in material or workmanship within one (1) year after delivery to buyer, provided however, that notice of any such defect and satisfactory proof thereof is promptly given by Buyer to Seller, and thereafter such product is returned to Seller, with transportation charges prepaid, and Seller's examination proves such product to have been defective.

This warranty does not apply in respect of damage to any product or accessory or attachment thereof caused by misuse, neglect or accident, nor does this warranty apply to any product which has been repaired or altered in any way which, in the sole judgement of the Seller, affects the performance, stability or general purpose for which it was manufactured. Performance of Seller's products or systems for specific applications is warranted only in cases where Seller has sole responsibility for product and system concept, design, selection of components, manufacture and installation.

Wherever Buyer has specified that certain components be used, such products or system performance warranties are limited to that consistent with the performance specified by the manufacturers fo the components so employed. For goods, products and/or equipment or systems only sold by Seller and manufactured by others, Seller only passes such manufacturer's warranties on to Buyer.

If a factory installed thermal device is not provided , the user is responsible for providing their own thermal control.

GAUMER PROCESS

HEATERS
SYSTEMS
CONTROLS

INSTALLATION INSTRUCTION UL LISTED AIR/GAS HEATERS

INSTALLATION The gasket surface should be clean and dry before the heater is seated. The terminals must be protected at all times from moisture or vapor. The heaters should be inspected periodically for coatings and corrosion, and cleaned if necessary.

LOW MEGOHM CONDITION The refractory material used in electric heaters may absorb some moisture during transit storage or when subjected to a humid environment. This moisture absorption corrects itself after heat-up and does not affect the heater efficiency or life. A low megohm condition can be easily corrected by removing the terminal hardware and baking the heater in an oven at 250°F to 350°F for several hours, preferably overnight. For a particular point not covered, write GAUMER COMPANY, INC. giving a full description of the application.

THERMOSTAT (THERMAL CONTROL DEVICE) Heaters may be provided with thermocouple or capillary tube and thermostat (thermal control device). Thermocouple or capillary tube, when used, shall be routed away from uninsulated live voltage parts. In addition, if a factory installed thermostat (thermal control device) is not provided by the manufacturer, it is the customer's responsibility to provide and install a suitable thermostat (thermal control device). The sensing means for the thermostat (thermal control device) is to be mounted in the exhaust air stream and the limit for the thermostat (thermal control device) shall be no higher than a maximum of 1000°F.

HIGH LIMIT CONTROL If no high limit sensor or high limit control is furnished with heater it is the customer's responsibility to provide and install a suitable high limit control. The sensing means for the high limit sensor or control is to be attached to the heater sheath and the limit for the control or sensor shall be set no higher than a maximum of 1500°F.

ELECTRICAL CONNECTIONS Heaters purchased with moisture resistant terminal covers should be wired with rigid conduit connections in keeping with the requirements of the National Electrical Code and local codes for the particular installation. If temperature will not exceed 400°F, the electrical wiring can be insulated copper wire. A high temperature wire should be used where temperature may exceed 400°F. (Contact GAUMER COMPANY, INC. for type RHTW 1200°F 600 Volt rated wire).

GENERAL INFORMATION Heaters with 120 volt or 240 volt elements can be connected in series for high voltage operation except when uneven wattage is supplied on the respective elements. Bending the heating elements is not recommended. If bending is necessary, contact GAUMER COMPANY, INC. Do not remove the heater from the tank while connected to the power supply.

CORROSION OF METAL The sheath is believed to be satisfactory for heating air or non-explosive gas. The rate of corrosion is affected by temperature, impurities in the solution, etc. GAUMER COMPANY, INC., therefore, cannot guarantee this unit against damage resulting from operating condition beyond our control. Electric units for heating various gases are subject to customer's approval.

WARRANTY Seller warrants its products to be free from defects in material and workmanship under normal use and maintenance as herein provided. Seller's sole obligation under this warranty shall be limited to repairing, replacing or allowing credit for, at Seller's option, any product which under normal and proper use and maintenance proves defective in material or workmanship within one (1) year after delivery to buyer, provided however, that notice of any such defect and satisfactory proof thereof is promptly given by Buyer to Seller, and thereafter such product is returned to Seller, with transportation charges prepaid, and Seller's examination proves such product to have been defective.

This warranty does not apply in respect of damage to any product or accessory or attachment thereof caused by misuse, neglect or accident, nor does this warranty apply to any product which has been repaired or altered in any way which, in the sole judgment of the Seller, affects the performance, stability or general purpose for which it was manufactured. Performance of Seller's products or systems for specific applications is warranted only in cases where Seller has sole responsibility for product and system concept, design, and selection of components, manufacture and installation. Wherever Buyer has specified that certain components be used, such products or system performance warranties are limited to that consistent with the performance specified by the manufacturers for the components so employed. For goods, products and/or equipment or systems only sold by Seller and manufactured by others, Seller only passes such manufacturer's warranties on to Buyer.

13616 Hempstead Road · Houston, Texas 77040 · (713) 460-5200 · (800) 460-5200
Fx: (713) 460-1444 · Fx: (800) 460-5700 · www.gaumer.com · sales@gaumer.com

09/12/00



TERMS OF AGREEMENT

1. **ACCEPTANCE.** Seller hereby accepts Buyer's order for the goods, products and/or equipment described on the face hereof, but such acceptance is expressly conditioned upon acceptance by Buyer of the terms set forth herein. Seller shall not be bound by any terms of Buyer's purchase order which provide conditions additional to or different from the terms hereof.
2. **SHIPMENT.** Unless otherwise specifically agreed, all prices are for material packed for domestic shipment and for delivery F.O.B Seller's point of shipment. Shipping dates are approximate and based on prompt receipt of all necessary information. All risk of loss shall be upon the Buyer from point of shipment. Buyer shall pay all transportation and delivery charges to final destination.
3. **PRICES.** Prices stated herein are based on present costs. Such prices are subject to increase by Seller at any time prior to delivery in respect of all or any portion of the goods, products and/or equipment on order to the extent necessary to cover Seller's increased costs applicable thereto.
4. **PAYMENT.** Partial shipments may be made and payments therefor shall become due in accordance with the terms hereof. Finance charges are subject to rates in effect at time of delivery of goods, products, and/or equipment. The terms of sale herein are subject to credit approval and Seller may at any time prior to delivery modify the terms of payment originally specified to assure prompt payment of the goods, products and/or equipment ordered.
5. **TAXES.** The amount of taxes stated on the face hereof, if any, is approximate only. Buyer is liable for the full amount of all taxes applicable to or as a result of this transaction, exclusive of franchise taxes measured by the net income of Seller. Buyer shall pay the amount of all such taxes as at any time requested by Seller as if originally added to the price. If Seller pays such taxes, Buyer shall reimburse Seller therefor.
6. **SECURITY INTEREST AND DEFAULT.** Seller shall retain a security interest in the goods, products, and/or equipment delivered hereunder until the total selling price, including taxes, delivery and other charges, is paid in full by Buyer. Buyer agrees to sign and deliver to Seller any additional security agreement required by seller. If Buyer shall fail or refuse to accept delivery of the goods, products and/or equipment ordered hereunder or shall default in the performance of any terms, covenants and conditions of the Agreement, Seller may retain any cash deposited or paid to it and the goods, products and/or equipment, and apply the value of same toward payment of its damages. If goods, products and/or equipment ordered have been delivered to Buyer by Seller at the time of default, Seller may declare the full amount due and payable without notice or demand and may repossess the goods, products and/or equipment. Repossession and disposition of the goods, products and/or equipment, and suit for any deficiency shall be pursuant to applicable laws. The remedies provided herein shall not be deemed exclusive, but shall be cumulative and shall be in addition to all other remedies in Seller's favor existing at law or in equity.
7. **WARRANTY.** Seller warrants its products to be free from defects in material and workmanship under normal use and maintenance as herein provided. Seller's sole obligation under this warranty shall be limited to repairing, replacing or allowing credit for, at Seller's option, any product which under normal and proper use and maintenance proves defective in material or workmanship within one (1) year after delivery to Buyer, provided however, that notice of any such defect and satisfactory proof thereof is promptly given by Buyer to Seller, and thereafter such product is returned to Seller, with transportation charges prepaid, and Seller's examination proves such product to have been defective. This warranty does not apply in respect of damage to any product or accessory or attachment thereof caused by misuse, neglect or accident, nor does this warranty apply to any product which has been repaired or altered in any way which, in the sole judgement of Seller, affects the performance, stability or general purpose for which it was manufactured. Performance of Sellers products or systems for specific applications is warranted on in cases where Seller has sole responsibility for product and system concept, design, selection of components, manufacture and installation. Wherever Buyer has specified that certain components be used, such products or system performance warranties are limited to that consistent with the performance specified by the manufacturers of the components so employed. For goods, products and/or equipment or systems only sold by Seller and manufactured by others, Seller only passes such manufacturer's warranties on to Buyer. **THESE WARRANTIES ARE IN LIEU OF ALL OTHER WARRANTIES (EXCEPT OF TITLE). EXPRESS OR IMPLIED AND THERE IS NO IMPLIED WARRANTY OF MERCHANTABILITY OR OF FITNESS FOR A PARTICULAR PURPOSE. IN NO EVENT SHALL SELLER BE LIABLE FOR CONSEQUENTIAL OR SPECIAL DAMAGES.**
8. **DELAYS.** Seller shall not be liable for loss or damage due to delay in delivery or manufacture, resulting from any cause beyond Seller's reasonable control, including but not limited to, compliance with any regulation, orders, or instructions of any federal, state or municipal government or any department or agency thereof, acts of God, acts or omissions of the Buyer, acts of civil or military authority, fires, factory shutdowns or alterations, embargoes, war, riot delays in transportation, or inability due to cause beyond the Seller's reasonable control to obtain necessary labor, manufacturing facilities or materials from the Seller's usual sources and any delays resulting from any such cause shall constitute for extending delivery dates and receipt of the goods shall constitute a waiver of all claims for damages. In no event shall Buyer or Seller be liable for special or consequential damages.
9. **POSTPONEMENT.** No postponement of scheduled deliveries by Buyer will be permitted except when specifically agreed to in writing by Seller. In such event, price will be subject to redetermination on the basis of then current price and appropriate quantity discount, if any.
10. **CANCELLATION.** Buyer may cancel its order, reduce quantities or revise specifications only by agreement in writing with Seller. Reasonable and proper cancellation charges which shall take into account expenses already incurred and commitments made by Seller shall be charged and Buyer shall indemnify Seller against any loss resulting therefrom.
11. **EQUIPMENT PERFORMANCE.** Due to variable facts beyond Seller's control, any statements of application performance of goods, products and/or equipment sold hereunder, such as rate production, are estimates only furnished solely for convenience of Buyer.
12. **ENTIRE AGREEMENT APPLICABLE LAW.** The rights and obligation of Seller and Buyer shall be governed by the laws of the state where the Buyer's order is accepted by Seller. The provisions hereof are intended by Buyer and Seller as a final expression of their agreement and are intended also as a complete and exclusive statement of all the terms applicable to Buyer's order. No waiver, modification or addition to any of the terms hereof shall be binding on seller unless made in writing by an officer or authorized representative of Seller. In the event of conflict between Buyer's purchase order and the terms hereof the latter shall control.